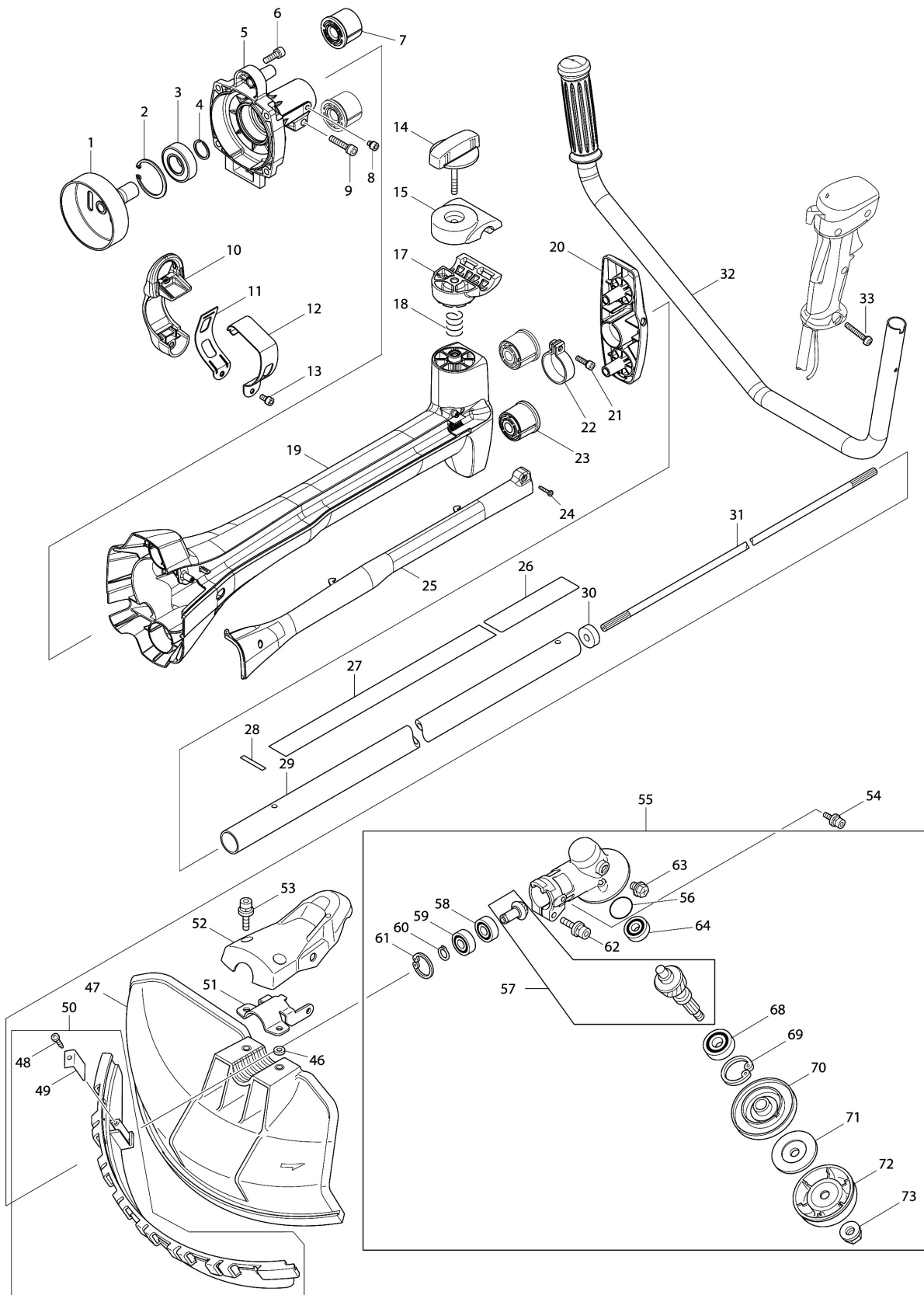
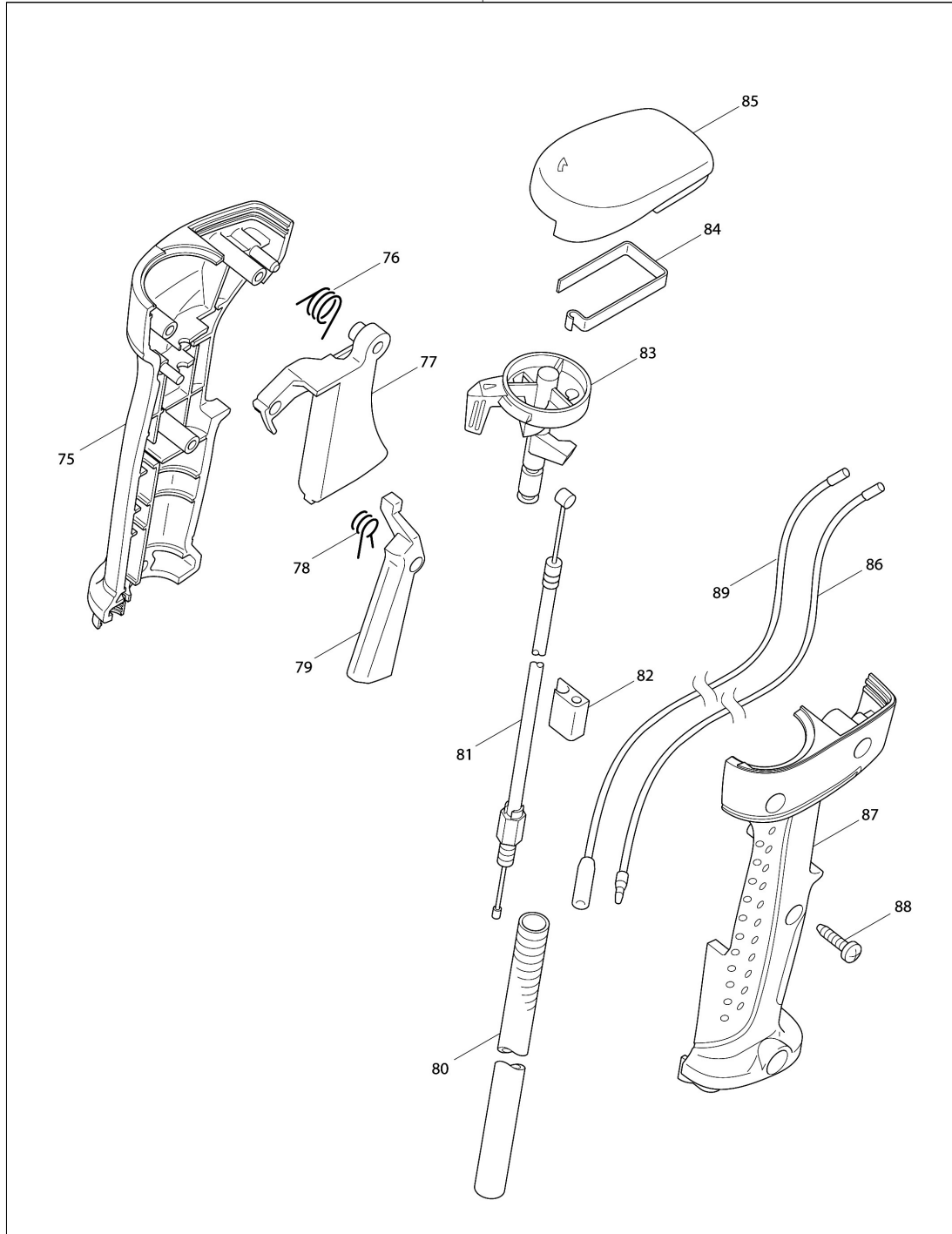


Model No. MS4300.4U PETROL BRUSHCUTTER

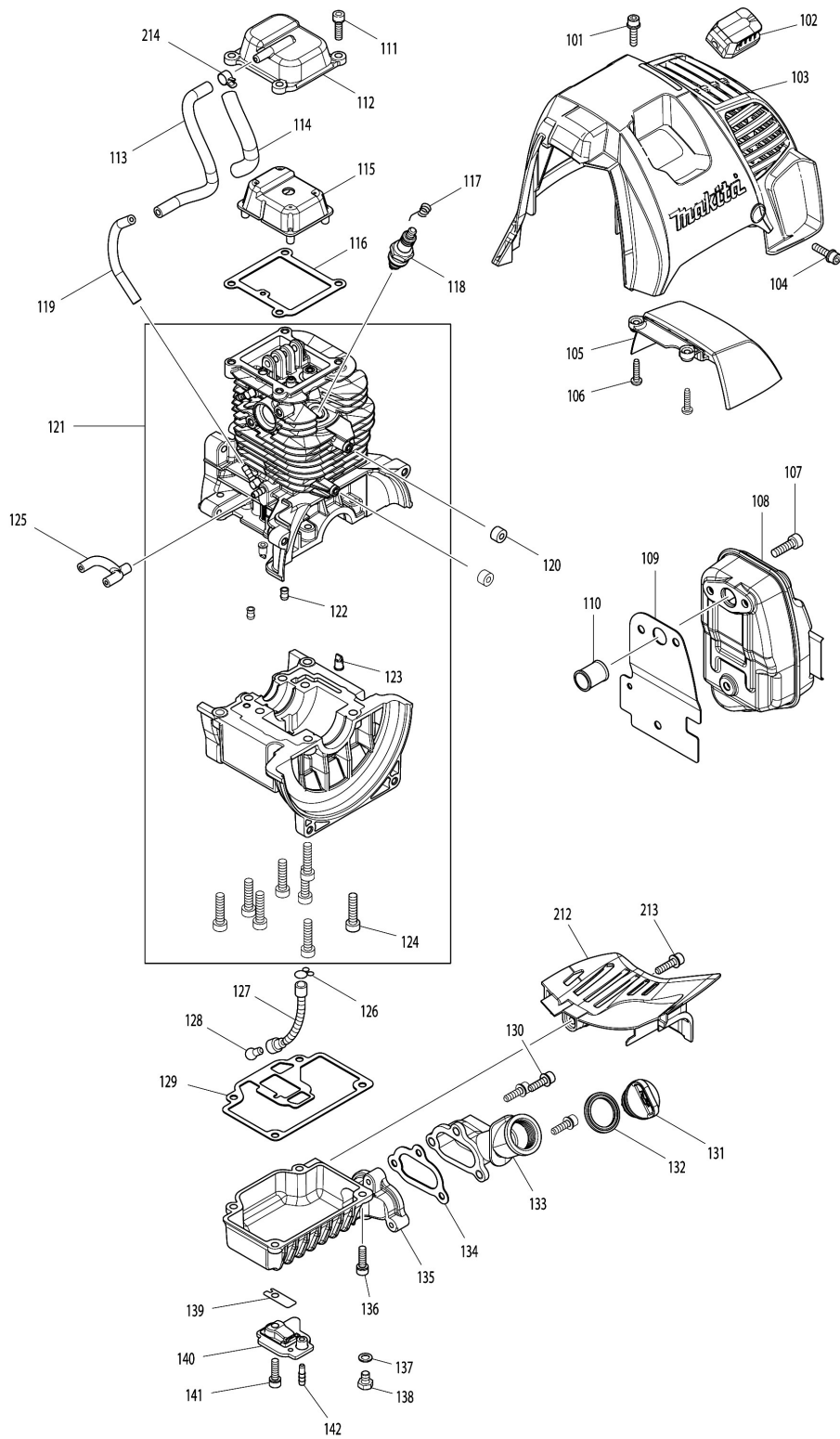


Model No. MS4300.4U PETROL BRUSHCUTTER

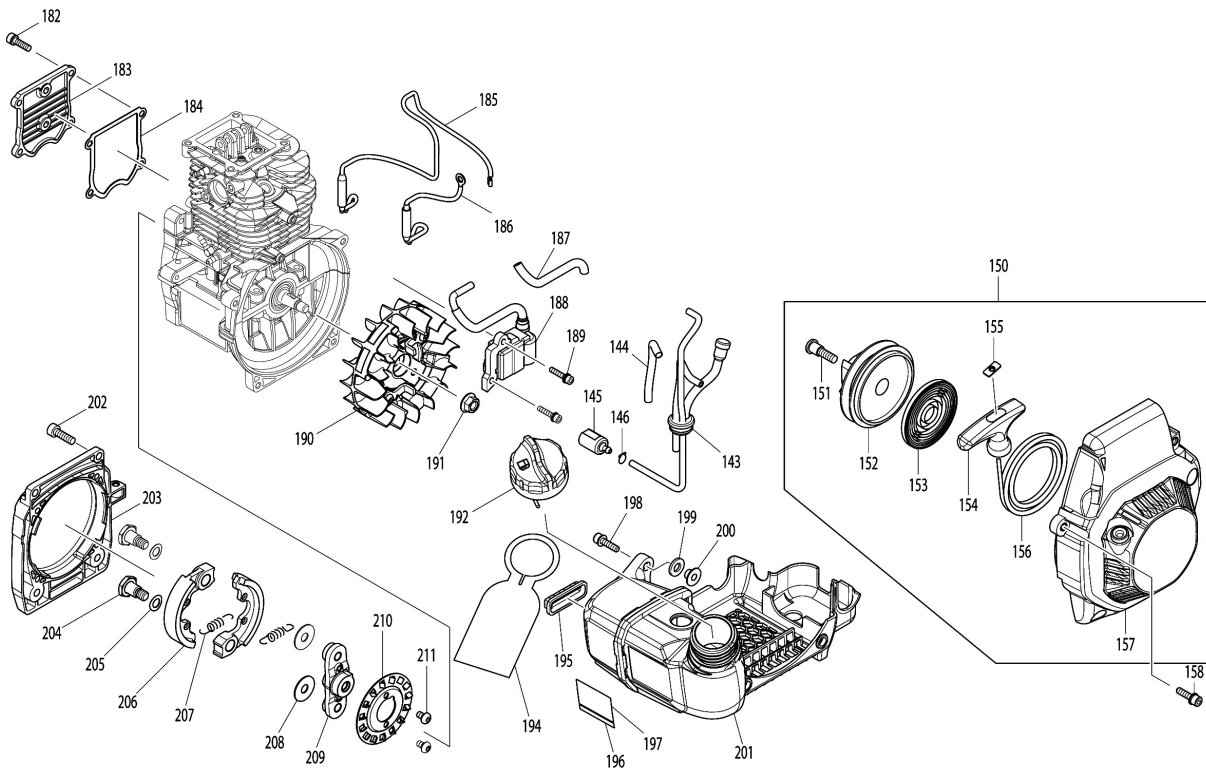
74



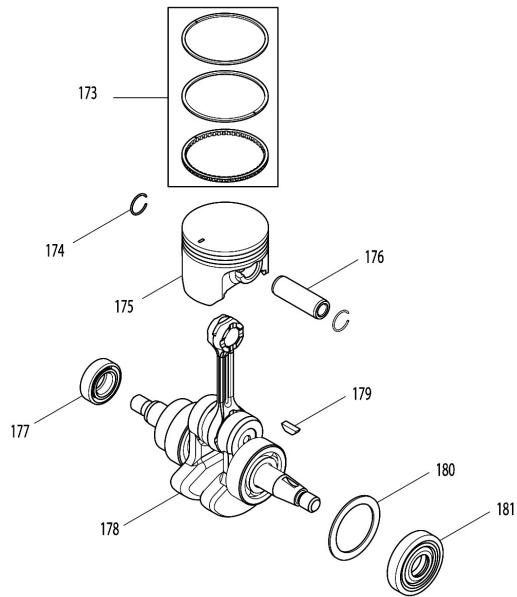
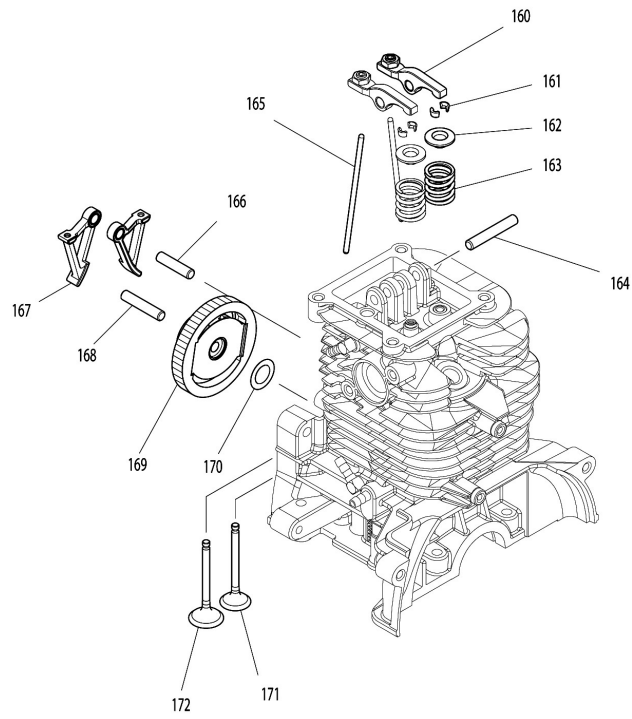
Model No. MS4300.4U PETROL BRUSHCUTTER



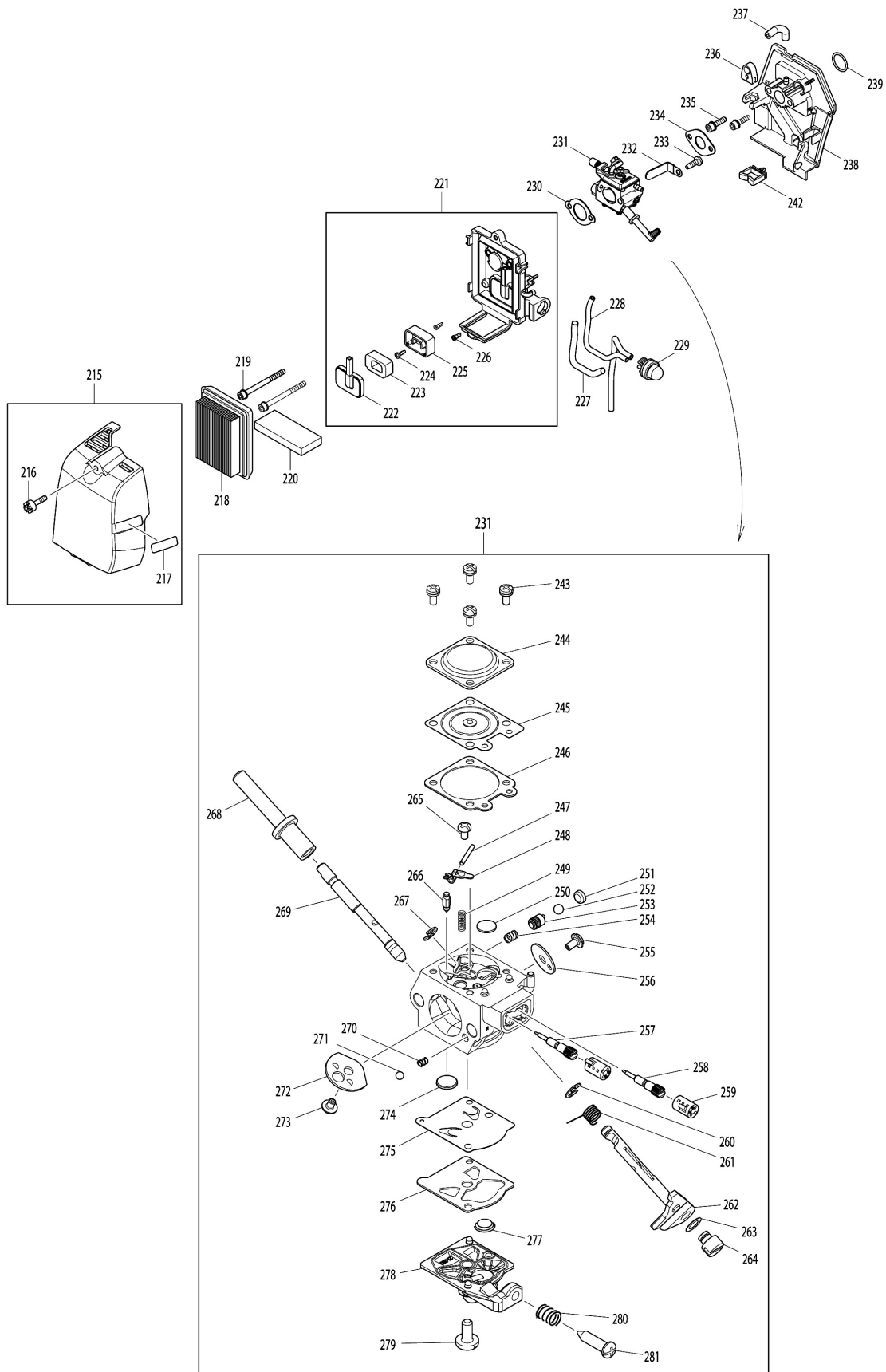
Model No. MS4300.4U PETROL BRUSHCUTTER



Model No. MS4300.4U PETROL BRUSHCUTTER



Model No. MS4300.4U PETROL BRUSHCUTTER



Model No.MS4300.4U PETROL BRUSHCUTTER

Položka	Objednávacie číslo	Popis	Zmena	ks	New/Old	Možnosť 1	Možnosť 2	Poznámka
001	168712-2	CLUTCH DRUM		1				
002	962201-7	RETAINING RING (INT) R-42		1				
003	211387-7	BALL BEARING 6004LLU		1				
004	961090-7	RETAINING RING (EXT) WR-20		1				
005	318849-7	CLUTCH CASE		1				
006	922331-6	IMBUSOVA SKRUTKA M6		4				
007	424488-4	BUFFER RUBBER		2				
008	922201-9	INBUSOVÁ SKRUTKA 5X8 922201-9		1				
009	922351-0	IMBUSOVA SKRUTKA M6x30		1				
010	453525-7	HANGER		1	*			
010-1	456033-7	HANGER	S	1				
011	346572-4	HANGER HOLDER L		1				
012	346571-6	HANGER HOLDER R		1				
013	265991-4	SKRUTKA IMBUSOVÁ 4603DW		1	*			
013-1	266957-7	WING BOLT M5X20	S	1				
014	168796-0	KNOB 57		1				
015	318425-7	HANDLE CLAMP		1				
017	318860-9	HANDLE HOLDER		1				
018	233309-7	PRUŽINA PRÍTLAČNÁ 16 HM1304		1				
019	453541-9	PIPE HOUSING		1				
020	453543-5	HOUSING HOLDER		1				
021	922226-3	INBUSOVÁ SKRUTKA M5x18 4340CT-41FCT		1				
022	346590-2	PIPE CLAMP 33		1				
023	424488-4	BUFFER RUBBER		2				
024	266429-2	SKRUTKA 3X16MM		2				
025	453542-7	HOUSING COVER		1				
026	893388-3	DOLMAR LOGO LABEL		1				
027	898810-5	CAUTION LABEL		1	*			
027-1	803A24-9	CAUTION LABEL	O	1				
028	801D20-9	SERIAL NO. LABEL		1				
029	141335-1	SHAFT PIPE COMPLETE		1				
030	443146-3	FELT RING 8		1				
031	326153-0	SHAFT		1				
032	141584-0	HANDLE COMPLETE		1				
033	911256-9	SKRUTKA M 5X35		1				
046	413143-3	WASHER		2				
047	452259-9	PROTECTOR		1				
048	266326-2	SKRUTKA SAMOREZNÁ		1				
049	346074-0	Nôž OREZÁVACÍ EBH252U		1				
050	135398-7	KRYT NOŽA EBH252U		1				
D10		INC. 48,49						
051	346072-4	DRŽIAK KRYTU HLAVY EBH341		1				
052	451090-0	KRYT EBH341		1				
053	266579-3	HEX SOCKET HEAD BOLT M6X30		2				

Model No.MS4300.4U PETROL BRUSHCUTTER

Položka	Objednávacie číslo	Popis	Zmena	ks	New/Old	Možnosť 1	Možnosť 2	Poznámka
054	266865-2	H.S.H.BOLT M5X14 WITH WR		2				
055	126260-7	GEAR CASE ASSEMBLY		1	*			
D10		INC. 56-64,68-73			*			
055-1	126310-8	GEAR CASE ASSEMBLY	O	1	*			
D10		INC. 56-64,68-73			*			
055-2	123835-3	GEAR CASE ASSEMBLY	S	1				
D10		INC. 56-64,68-73						
056	213459-4	O-KRÚŽOK 32 SR23/HK18/HR22/35 HM0810		1	*			
057	188865-1	CUTTER SHAFT SET		1	*			
057-1	187644-4	CUTTER SHAFT SET	O	1	*			
057-2	183K07-8	CUTTER SHAFT SET	O	1				
058	211064-1	LOŽISKO GULIČKOVÉ 6000		1	*			
058-1	210161-0	BALL BEARING 6000	>	1				
059	211062-5	LOŽISKO GULIČKOVÉ 6000ZZ		1	*			
059-1	210160-2	BALL BEARING 6000ZZ	>	1				
060	961006-2	POISTNY KRUZOK S-10		1	*			
060-1	257408-1	RETAINING RING(EXT) S-10	O	1				
061	962105-3	POISTNY KRUZOK R-26 962105-3		1	*			
061-1	257988-7	RETAINING RING (INT) R-26	O	1				
062	922353-6	INBUSOVA SKRUTKA		1				
063	265590-2	SKRUTKA M8x10		1				
064	210081-8	BALL BEARING 629ZZ		1	*			
064-1	210159-7	BALL BEARING 629ZZ	>	1				
068	210116-5	BALL BEARING 6201LLU		1				
069	962151-6	POISTNY KRUZOK R-32		1	*			
069-1	257409-9	RETAINING RING(INT) R-32	O	1				
070	331860-2	RECEIVE WASHER		1	*			
070-1	332114-0	RECEIVE WASHER	<	1	*			
070-2	326823-1	RECEIVE WASHER	O	1				
071	346355-2	CLAMP WASHER		1				
072	168526-9	PODLOŽKA NOŽA		1				
073	264025-0	MATICA 6HR		1				
074	126114-8	CONTROLL LEVER ASSEMBLY		1				
D10		INC. 75-86,88,89						
075	188657-8	LEVER CASE SET		1	*			
D10		INC. 87			*			
075-1	183A09-4	LEVER CASE SET	S	1				
D10		INC. 87						
076	233540-5	TORSION SPRING 11		1				
077	451084-5	THROTTLE LEVER		1				
078	233541-3	TORSION SPRING 7		1				
079	451083-7	LOCK OFF LEVER		1				
080	453524-9	CORRUGATE TUBE		1				
081	168711-4	CONTROL CABLE		1				

Model No.MS4300.4U PETROL BRUSHCUTTER

Položka	Objednávacie číslo	Popis	Zmena	ks	New/Old	Možnosť 1	Možnosť 2	Poznámka
082	451081-1	CABLE HOLDER		1				
083	451500-7	SWITCH LEVER		1				
084	232251-9	PRUŽINA PRÍTLAČNÁ		1				
085	451253-8	SWITCH COVER		1	*			
085-1	455723-9	SWITCH COVER	S	1				
086	638972-5	LEAD UNIT		1				
087	188657-8	LEVER CASE SET		1	*			
D10		INC. 75			*			
087-1	183A09-4	LEVER CASE SET	S	1				
D10		INC. 75						
088	266326-2	SKRUTKA SAMOREZNÁ		3				
089	638973-3	LEAD UNIT		1				
101	922233-6	HEX SOCKET HEAD BOLT M5X20		1				
102	424302-4	PLUG CAP		1				
103	453544-3	CYLINDER COVER		1	*			
103-1	455108-9	CYLINDER COVER	S	1				
104	922233-6	HEX SOCKET HEAD BOLT M5X20		1				
105	453536-2	MUFFLER COVER		1				
106	265995-6	SKRUTKA SAMOREZNÁ 4x18		2				
107	922332-4	HEX. SOCKET HEAD BOLT M6X20		3				
108	168715-6	EXHAUST MUFFLER		1				
109	346574-0	MUFFLER GASKET		1				
110	331987-8	EXHAUST PORT SPACER		1				
111	922226-3	INBUSOVÁ SKRUTKA M5x18 4340CT-41FCT		4				
112	318850-2	ROCKER COVER OUTER		1				
113	422091-5	TUBE 5-160		1				
114	454424-6	CORRUGATE TUBE		1				
115	453529-9	ROCKER COVER INNER		1				
116	162335-8	ROCKER COVER GASKET		1				
117	324891-8	PLUG CAP SPRING		1				
118	168401-9	SPARK PLUG		1				
119	422090-7	TUBE 3-85		1				
120	452049-0	SPACER		2				
121	135557-3	CYLINDER BLOCK ASSEMBLY		1	*			
D10		INC. 122-124			*			
121-1	135659-5	CYLINDER BLOCK ASS'Y	S	1				
D10		INC. 122-124						
122	424200-2	SPACER		2				
123	424201-0	CHECK VALVE		2				
124	922342-1	HEX. SOCKET HEAD BOLT M6X25		8	*			
124-1	266087-4	HEX.BOLT M6X25	<	8				
125	422099-9	PIPE		1				
126	282020-8	HOSE CLAMP		1	*			
126-1	282020-8	HOSE CLAMP	O	1				

Model No.MS4300.4U PETROL BRUSHCUTTER

Položka	Objednávacie číslo	Popis	Zmena	ks	New/Old	Možnosť 1	Možnosť 2	Poznámka
127	424301-6	OIL TUBE		1	*			
127-1	125805-8	OIL TUBE ASSEMBLY	S	1				
C10	424301-6	OIL TUBE		1				
D10		INC. 126,128						
128	325666-8	OIL WEIGHT		1	*			
128-1	325666-8	OIL WEIGHT	O	1				
129	162337-4	OIL CASE GASKET		1				
130	266760-6	H.S.H.BOLT M5X18 WITH WRM		3				
131	452047-4	OIL CAP		1				
132	424343-0	GASKET		1				
133	453538-8	OIL PIPE		1				
134	162338-2	OIL PIPE GASKET		1				
135	318854-4	OIL CASE		1				
136	922226-3	INBUSOVÁ SKRUTKA M5x18 4340CT-41FCT		4				
137	346305-7	GASKET		1				
138	266611-3	HEX BOLT M6X8		1				
139	346398-4	LEAD VALVE		1				
140	318851-0	RETAINER PLATE		1				
141	922226-3	INBUSOVÁ SKRUTKA M5x18 4340CT-41FCT		1				
142	325665-0	JOINT PIPE		1				
143	168724-5	TUBE COMPLETE		1				
144	454426-2	SPIRAL TUBE 6-80		1				
145	163518-3	GASOLINE FILTER		1				
146	282020-8	HOSE CLAMP		1				
150	126119-8	STARTER COVER ASSEMBLY		1				
D10		INC. 151-157						
151	266634-1	SET SCREW M6X20		1	*			
151-1	SG00000013	SET SCREW M6X20	O	1				
152	452288-2	REEL		1				
153	232262-4	SPIRAL SPRING		1	*			
153-1	SG00000014	SPIRAL SPRING	O	1				
154	424361-8	STARTER KNOB		1				
155	424360-0	ROPE STOPPER		1				
156	444027-4	STARTER ROPE		1				
157	453534-6	STARTER COVER		1				
158	922233-6	HEX SOCKET HEAD BOLT M5X20		4				
160	126116-4	ROCKER ARM ASSEMBLY		2				
161	331990-9	COTTER		4				
162	331991-7	RETAINER		2				
163	234238-7	COMPRESSION SPRING 11		2				
164	256200-2	KOLÍK 5 2704		1				
165	256866-8	ROD 2.5		2				
166	268238-5	PIN 5		1				
167	313236-5	CAM LIFTER		2				

Model No.MS4300.4U PETROL BRUSHCUTTER

Položka	Objednávacie číslo	Popis	Zmena	ks	New/Old	Možnosť 1	Možnosť 2	Poznámka
168	256186-0	PIN 5		1				
169	126115-6	CAM GEAR ASSEMBLY		1	*			
169-1	126495-0	CAM GEAR ASSEMBLY	<	1	*			
169-2	126556-6	CAMGEAR ASSEMBLY	<	1	*			
169-3	126571-0	CAMGEAR ASSEMBLY	<	1				
170	261127-3	PODLOŽKA TEFLÓN 10		1				
171	326158-0	EXHAUST VALVE		1	*			
171-1	326498-6	EXHAUST VALVE	S	1	*			
171-2	326575-4	EXHAUST VALVE	<	1				
172	326157-2	INTAKE VALVE		1				
173	196667-1	PISTON RING SET		1				
174	233983-1	CLIP		2				
175	318853-6	PISTON		1	*			
175-1	197455-9	PISTON SET	<	1				
C10	318853-6	PISTON		1				
D10		INC. 173,174						
176	268285-6	PISTON PIN		1				
177	213685-5	OIL SEAL 12		1				
178	126121-1	CRANK SHAFT ASSEMBLY		1				
D10		INC. 177,180,181						
179	254040-2	WOODRUFF KEY 3		1				
180	267425-3	FLAT WASHER 26		1				
181	213537-0	OIL SEAL 12		1				
182	266086-6	SKRUTKA IMBUSOVÁ M5x16		4				
183	318856-0	CAM GEAR COVER		1				
184	162334-0	CAM GEAR COVER GASKET		1				
185	638974-1	LEAD UNIT		1				
186	638975-9	LEAD UNIT		1				
187	444021-6	TUBE		1				
188	168714-8	IGNITION COIL		1				
189	266602-4	HEX. SOCKET HEAD BOLT M4X20		2				
190	126122-9	FLYWHEEL COMPLETE		1				
191	264075-5	COLLARD HEX NUT M8		1	*			
191-1	264039-9	CONED DISK SPRING HEXNUT M8-13	<	1	*			
191-2	264039-9	CONED DISK SPRING HEXNUT M8-13	<	1				
192	125728-0	FUEL TANK CAP ASSEMBLY		1	*			
192-1	127112-5	FUEL TANK CAP ASSEMBLY	O	1				
194	810455-9	CAUTION PLATE		1				
195	424081-4	BUFFER RUBBER		1				
196	897220-3	SERIAL NO. LABEL		1				
197	898842-2	GAS EMISSION APPROVAL LABEL		1	*			
198	922233-6	HEX SOCKET HEAD BOLT M5X20		1				
199	261152-4	RUBBER WASHER 8		1				
200	331988-6	SPACER		1				

Model No.MS4300.4U PETROL BRUSHCUTTER

Položka	Objednávacie číslo	Popis	Zmena	ks	New/Old	Možnosť 1	Možnosť 2	Poznámka
201	168718-0	FUEL TANK		1	*			
201-1	168875-4	FUEL TANK	<	1				
202	922332-4	HEX. SOCKET HEAD BOLT M6X20		4				
203	318852-8	ENGINE BASE		1				
204	266597-1	SHOULDER HEX. BOLT M8		2				
205	267832-0	WAVE WASHER 10		2				
206	313238-1	CLUTCH SHOE		2				
207	231880-5	TENSION SPRING 5		2	*			
207-1	232290-9	TENSION SPRING 6	<	2				
208	267428-7	FLAT WASHER 8		2				
209	313239-9	CLUTCH BASE		1				
210	346576-6	FAN PLATE		1				
211	266461-6	H.S.BUTTON HEAD SCREW M5X8		2				
212	453530-4	MUFFLER PLATE		1				
213	922233-6	HEX SOCKET HEAD BOLT M5X20		1	*			
213-1	266760-6	H.S.H.BOLT M5X18 WITH WRM	<	1				
214	345918-1	HOSE CLAMP		1				
215	126118-0	CLEANER COVER ASSEMBLY		1	*			
C10	801S44-5	INDICATION LABEL		1	*			
D10		INC. 216,217			*			
215-1	126474-8	CLEANER COVER ASSEMBLY	S	1	*			
C10	801S44-5	INDICATION LABEL		1	*			
D10		INC. 216,217			*			
215-2	126523-1	CLEANER COVER ASSEMBLY	S	1				
D10		INC. 216,217						
216	266743-6	HEX.SOCKET HEAD BOLT M5X20		1	*			
216-1	266743-6	HEX.SOCKET HEAD BOLT M5X20	O	2				
217	898844-8	INDICATION LABEL		1				
218	442181-8	AIR CLEANER ELEMENT		1				
219	266601-6	HEX. SOCKET HEAD BOLT M5X60		2	*			
219-1	266601-6	HEX. SOCKET HEAD BOLT M5X60	S	2				
220	443173-0	AIR CLEANER ELEMENT		1	*			
220-1	443196-8	AIR CLEANER ELEMENT	S	1				
221	126117-2	CLEANER PLATE ASSEMBLY		1	*			
D10		INC. 222-226			*			
221-1	123994-3	CLEANER PLATE ASSEMBLY	S	1				
D10		INC. 222-226						
222	162346-3	SEPARATOR PLATE		1				
223	352020-3	SEPARATOR MESH		1				
224	266007-8	SKRUTKA SAMOREZNÁ PT3X10 9527NB		1				
225	453865-3	SEPARATOR CASE		1				
226	424316-3	CHECK VALVE		2				
227	454425-4	SPIRAL TUBE 6-100		1				
228	422074-5	TUBE 3-120		1				

Model No.MS4300.4U PETROL BRUSHCUTTER

Položka	Objednávacie číslo	Popis	Zmena	ks	New/Old	Možnosť 1	Možnosť 2	Poznámka
229	168398-2	PUMPA BENZÍNOVÁ DCS230T		1				
230	442196-5	CARBURETOR GASKET		1				
231	126339-4	CARBURETOR ASSEMBLY		1	*			
231-1	126339-4	CARBURETOR ASSEMBLY	O	1				
232	345963-6	CLAMP		1				
233	266388-0	SKRUTKA SAMOREZNÁ 5X16		1				
234	442197-3	CARBURETOR GASKET		1				
235	922233-6	HEX SOCKET HEAD BOLT M5X20		2	*			
235-1	266814-9	HEX SOCKET HEAD BOLT M5X20	<	2				
236	424489-2	GROMMET		1				
237	422080-0	TUBE 3-35		1				
238	142128-9	INSULATOR COMPLETE		1	*			
238-1	142736-6	INSULATOR COMPLETE	S	1				
239	213642-3	O-RING 18		1				
240	819431-0	CAUTION TAG		1				
241	898806-6	MS-4300.4U MODEL NO. LABEL		1				
242	451825-9	CLAMP		1				
243	WJ00096589	SCREW ASSEMBLY		1				
244	WJ00021158	METERING DIAPHRAGM COVER		1				
245	168620-7	METERING DIAPHRAGM		1				
246	442183-4	METERING DIAPHRAGM GASKET		1				
247	WJ00014477	METERING LEVER PIN		1				
248	WJ00016648	LEVER		1				
249	WJ00983248	SPRING		1				
250	5416036160	PLUG-WELCH		1				
251	WJ00088229	CUP PLUG		1				
252	5806084330	STEEL BALL		1				
253	WJ00160593	ACCELERATOR PISTON ASSEMBLY		1				
254	WJ00983305	SPRING		1				
255	WJ00963240	SCREW		1				
256	WJ00343562	THROTTLE VALVE		1				
257	WJ01023345	HIGH SPEED NEEDLE		1				
258	WJ01023344	IDLE NEEDLE		1				
259	WJ00025162	LIMITER CAP		1				
260	257964-1	STOP RING E-3		1				
261	WJ00098494	SPRING		1				
262	WJ00224392	THROTTLE SHAFT ASSEMBLY		1				
263	413140-9	WASHER		1				
264	5246001210	SWIVEL		1				
265	5016004110	SCREW		1				
266	WJ00008282	INLET NEEDLE VALVE		1				
267	WJ00001673	RETAINING RING		1				
268	WJ00183585	CHOKE LEVER		1				
269	WJ00044456	CHOKE SHAFT		1				
270	5806122210	SPRING		1				

Model No.MS4300.4U PETROL BRUSHCUTTER

Položka	Objednávacie číslo	Popis	Zmena	ks	New/Old	Možnosť 1	Možnosť 2	Poznámka
271	5806122220	BALL		1				
272	WJ00006295	CHOKE VALVE		1				
273	WJ00096475	SCREW		1				
274	352010-6	INLET SCREEN		1	*			
274-1	WJ00014070	INLET SCREEN	O	1				
275	WJ00009589	PUMP DIAPHRAGM		1				
276	WJ00092228	GASKET		1				
277	234183-6	CONICAL COMPRESSION SPRING 5-9		1				
278	WJ00213807	PUMP COVER ASSEMBLY		1				
279	WJ00096166	SCREW		1				
280	WJ00098217	SPRING		1				
281	WJ00096368	IDLE ADJUST SCREW		1				
282	455102-1	CHANGE PLATE	S	1				
283	266385-6	SKRUTKA SAMOREZNÁ 4X14MM	S	1				
284	267485-5	FLAT WASHER 5	S	2				
285	257903-1	KRÚŽOK STOP E-2,3	S	1				
286	941101-4	PODLOZKA 5	S	1				
287	922353-6	INBUSOVA SKRUTKA	S	1				
A01	196130-4	BAND ASSEMBLY SET		1				
C10	126127-9	BAND ASSEMBLY		1				
A02	451252-0	TOOL COVER		1				
A03	195503-8	OIL SET		1	*			
A03-1	197010-7	OIL SET	O	1				
A04	782233-6	BOX DRIVER 10-16		1				
A05	783223-2	HEX. WRENCH 4		1				
A06	783232-1	HEX. WRENCH 5		1				
A07	782238-6	BOX WRENCH 17		1				
A08	831315-2	ACCESSORY BAG		1				
A09	122882-1	TRIMMER HEAD ASSEMBLY 152-M10L		1				

Please order the parts with part number.

Print Date 29/5/2019