

Original Instruction Manual
Оригінальні інструкції з експлуатації
Oryginalna instrukcja obsługi
Manual de instrucțiuni original
Originalbetriebsanleitung
Eredeti használati útmutató
Pôvodný návod na obsluhu
Originální návod k obsluze

Important:

Read this instruction manual carefully before putting the Petrol String Trimmer into operation and strictly observe the safety regulations! Preserve instruction manual carefully!

Важливо:

Уважно прочитайте цю інструкцію з експлуатації перед роботою з бензиною кордовою газонокосаркою та строго дотримуйтесь правил безпеки!

Зберігайте цю інструкцію з експлуатації!

Ważne:

Przeczytać uważnie niniejszą instrukcję obsługi przed uruchomieniem wykaszarki spalinowej i ściśle przestrzegać przepisów dotyczących bezpieczeństwa!

Przechowywać niniejszy podręcznik z należytą starannością!

Important:

Citiți cu atenție acest manual de instrucțiuni înainte de a pune în funcțiune motocosoitoarea cu fir pe benzină și respectați cu strictețe reglementările privind siguranța!

Păstrați cu atenție manualul de instrucțiuni!

Wichtig:

Lesen Sie vor Verwendung des Motor-Rasentrimmers diese Bedienungsanleitung aufmerksam durch und halten Sie die Sicherheitsregeln strikt ein!

Bewahren Sie diese Bedienungsanleitung sorgfältig auf!

Fontos:

A benzinmotoros szegélyvágó első üzembe helyezése előtt figyelmesen olvassa át ezt a használati utasítást, és szigorúan tartsa be a biztonsági előírásokat!

Gondosan őrizze meg a használati utasítást!

Dôležité:

Pred uvedením benzínovej strunovej kosačky do prevádzky si pozorne prečítajte tento návod na obsluhu a striktno dodržiavajte bezpečnostné nariadenia!

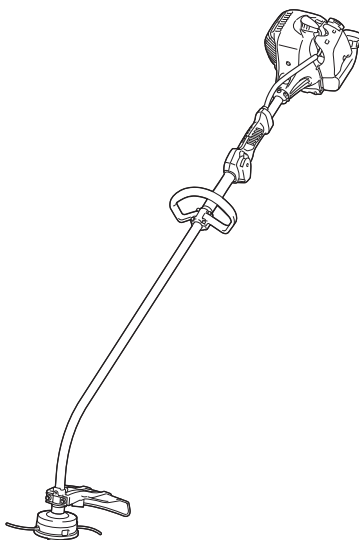
Tento návod na obsluhu starostlivo uschovajte!

Důležité:

Před uvedením motorové strunové sekačky do provozu si důkladně prostudujte tento návod k obsluze a pečlivě dodržujte bezpečnostní směrnice!

Návod k obsluze pečlivě uschovejte!

LT-27



DOLMAR







Thank you very much for purchasing the DOLMAR Outdoor Power Equipment. We are pleased to recommend to you the DOLMAR product which is the result of a long development program and many years of knowledge and experience. Please read this booklet which refers in detail to the various points that will demonstrate its outstanding performance. This will assist you to obtain the best possible result from your DOLMAR product.



Table of Contents	Page
Symbols.....	2
Safety instructions.....	3
Technical data.....	6
Designation of parts.....	7
Mounting of handle.....	8
Mounting of protector.....	8
Mounting of nylon cutting head.....	8
Fuel/refuelling.....	9
Starting/stopping.....	10
Nylon cutting head.....	12
Servicing instructions.....	13
Storage.....	15

SYMBOLS

You will note the following symbols when reading the instructions manual.

	Read instruction manual and follow the warnings and safety precautions!		Wear protective helmet, eye and ear protection.
	Take particular care and attention!		Top permissible tool speed
	Forbidden!		Fuel (Gasoline)
	Keep distance!		Engine-manual start
	Flying object hazard!		Emergency stop
	No smoking!		First Aid
	No open flame!		ON/START
	Protective gloves must be worn!		OFF/STOP
	Wear sturdy boots with nonslip soles. Steeltod safety boots are recommended!		Never use metal blades
	Keep the area of operation clear of all persons and pets!		

SAFETY INSTRUCTIONS

General Instructions

- Read this instruction manual to become familiar with handling of the equipment. Users insufficiently informed will risk danger to themselves as well as others due to improper handling.
- It is recommended only to lend the equipment to people who have proven to be experienced.
Always hand over the instruction manual.
- First users should ask the dealer for basic instructions to familiarize oneself with the handling of string trimmers.
- Children and young persons aged under 18 years must not be allowed to operate this equipment. Persons over the age of 16 years may however use the device for the purpose of being trained while under supervision of a qualified trainer.
- Use with the utmost care and attention.
- Operate only if you are in good physical condition. Perform all work calmly and carefully. The user has to accept liability for others.
- Never use this equipment after consumption of alcohol or drugs, or if feeling tired or ill.
- National regulation can restrict the use of the machine.

Intended use of the machine

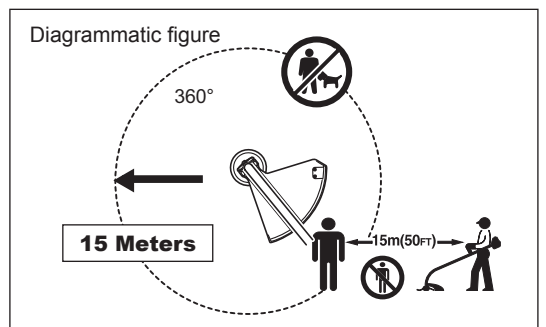
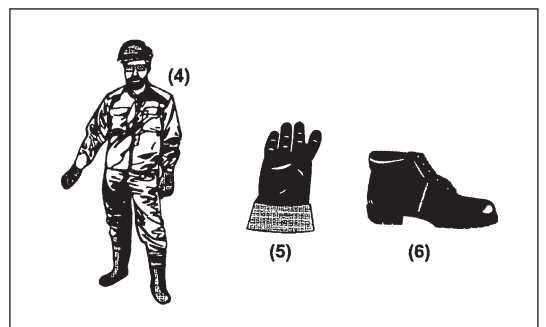
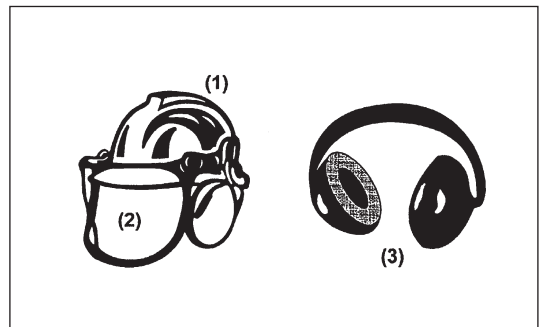
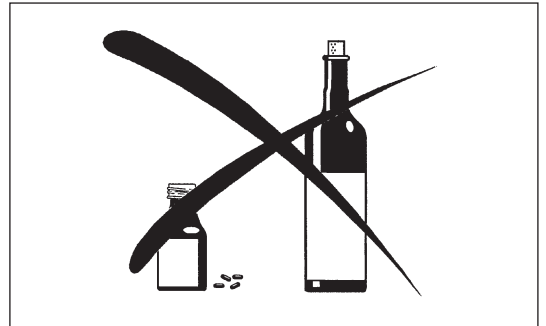
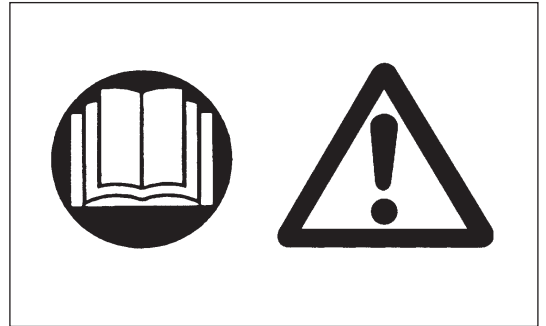
- This equipment is only intended for cutting grass and light weeds. It should not be used for any other purpose such as edging or hedge cutting as this may cause injury.

Personal protective equipment

- The clothing worn should be functional and appropriate, i.e. it should be tight-fitting but not cause hindrance. Do not wear either jewelry or clothing which could become entangled with bushes or shrubs.
- In order to avoid either head-, eye-, hand- or foot injuries as well as to protect your hearing the following protective equipment and protective clothing must be used during operation.
- Always wear a helmet where there is a risk of falling objects. The protective helmet (1) is to be checked at regular intervals for damage and is to be replaced at the latest after 5 years. Use only approved protective helmets.
- The visor (2) of the helmet (or alternatively goggles) protects the face from flying debris and stones. During operation always wear goggles, or a visor to prevent eye injuries.
- Wear adequate noise protection equipment to avoid hearing impairment (ear muffs (3), ear plugs etc.).
- The work overalls (4) protect against flying stones and debris. We strongly recommend that the user wears work overalls.
- Gloves (5) are part of the prescribed equipment and must always be worn during operation.
- When using the equipment, always wear sturdy shoes (6) with a non-slip sole. This protects against injuries and ensures a good footing.

Starting up the Petrol String Trimmer

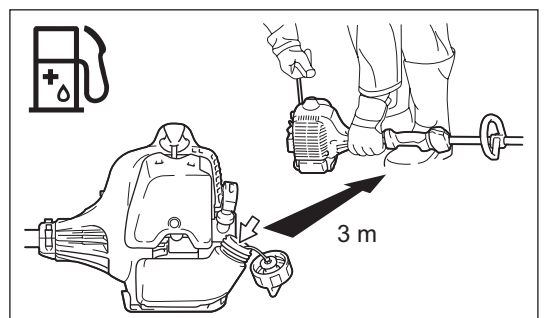
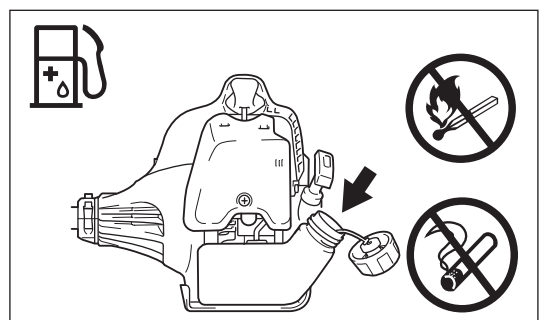
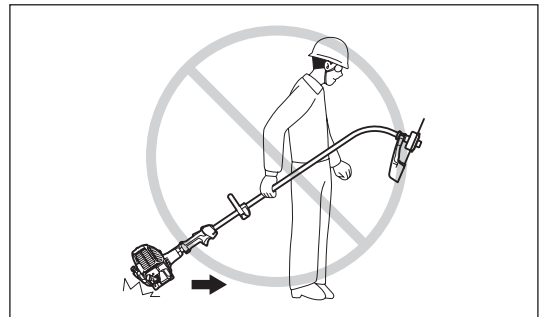
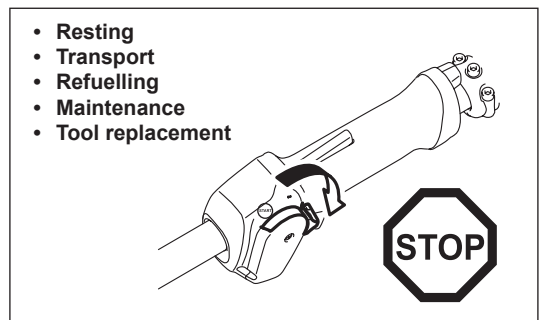
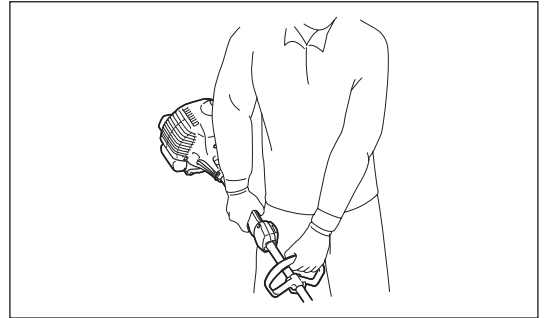
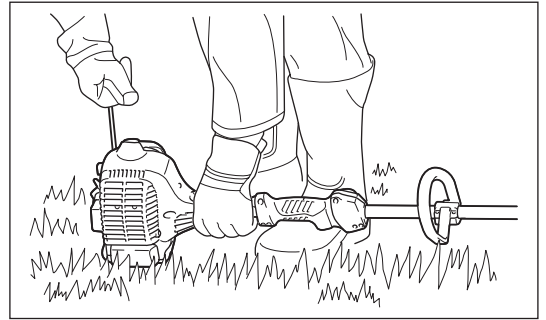
- Please make sure that there are no children or other people within a working range of 15 meters (50 ft), also pay attention to any animals in the working vicinity.
- Before use always check the equipment is safe for operation: Check the security of the cutting attachment, the throttle lever for easy action and check for proper functioning of the throttle lever lock.
- Rotation of the cutting attachment during idling speed is not allowed. Check with your dealer for adjustment if in doubt. Check for clean and dry handles and test the function of the start/stop switch.



- Start the Petrol String Trimmer only in accordance with the instructions.
- Do not use any other methods for starting the engine!
- Use the Petrol String Trimmer and the tools only for such applications as specified.
- Only start the engine, after the entire assembly is done. Operation of the device is only permitted after all the appropriate accessories are attached!
- Before starting make sure that the cutting attachment has no contact with hard objects such as branches, stones etc. as the cutting attachment will revolve when starting.
- The engine is to be switched off immediately in case of any engine problems.
- Should the cutting attachment hit stones or other hard objects, immediately switch off the engine and inspect the cutting attachment.
- Inspect the cutting attachment at short regular intervals for damage (detection of hairline cracks by means of tapping-noise test).
- If the equipment gets heavy impact or fall, check the condition before continuing work. Check the fuel system for fuel leakage and the controls and safety devices for malfunction. If there is any damage or doubt, ask our authorized service center for the inspection and repair.
- During operation always hold the Petrol String Trimmer with both hands. Never hold the Petrol String Trimmer with one hand during use. Always ensure a safe footing.
- Operate the equipment in such a manner as to avoid inhalation of the exhaust gases. Never run the engine in enclosed rooms (risk of gas poisoning). Carbon monoxide is an odorless gas.
- Switch off the engine when resting and when leaving the equipment unattended, and place it in a safe location to prevent danger to others or damage to the machine.
- Never put the hot Petrol String Trimmer onto dry grass or onto any combustible materials.
- Always install the approved cutting attachment guard onto the equipment before starting the engine. Otherwise contact with the cutting attachment may cause serious injury.
- All protective installations and guards supplied with the machine must be used during operation.
- Never operate the engine with faulty exhaust muffler.
- Shut off the engine during transport.
- Ensure safe position of the equipment during car transportation to avoid fuel leakage.
- When transporting, ensure that the fuel tank is completely empty.
- When unloading the equipment from the truck, never drop the Engine to the ground or this may severely damage the fuel tank.
- Except in case of emergency, never drop or cast the equipment to the ground or this may severely damage the equipment.
- Remember to lift the entire equipment from the ground when moving the equipment. Dragging the fuel tank is highly dangerous and will cause damage and leakage of fuel, possibly causing fire.

Refuelling

- Shut off the engine during refuelling, keep away from open flames and do not smoke.
- Avoid skin contact with mineral oil products. Do not inhale fuel vapor. Always wear protective gloves during refuelling. Change and clean protective clothing at regular intervals.
- Take care not to spill either fuel or oil in order to prevent soil contamination (environmental protection). Clean the Petrol String Trimmer immediately after fuel has been spilled.
- Avoid any fuel contact with your clothing. Change your clothing instantly if fuel has been spilled on it (to prevent clothing catching fire).
- Inspect the fuel cap at regular intervals making sure that it can be securely fastened and does not leak.
- Carefully tighten the fuel tank cap. Change location to start the engine (at least 3 meters away from the place of refuelling).
- Never refuel in closed rooms. Fuel vapors accumulate at ground level (risk of explosions).
- Only transport and store fuel in approved containers. Make sure the fuel stored is not accessible to children.



Method of operation

- Only use in good light and visibility. During the winter season beware of slippery or wet areas, ice and snow (risk of slipping). Always ensure a safe footing.
- Never cut above waist height.
- Never stand on a ladder.
- Never climb up into trees to perform cutting operation.
- Never work on unstable surfaces.
- Remove sand, stones, nails etc. found within the working range.
- Before commencing cutting, the cutting attachment must have reached full working speed.
- Swing the Petrol String Trimmer evenly.
If grass or branches get caught between the cutting attachment and guard, always stop the engine before cleaning. Otherwise unintentional attachment rotation may cause serious injury.
- Take a rest to prevent loss of control caused by fatigue. We recommend to take a 10 to 20-minute rest every hour.

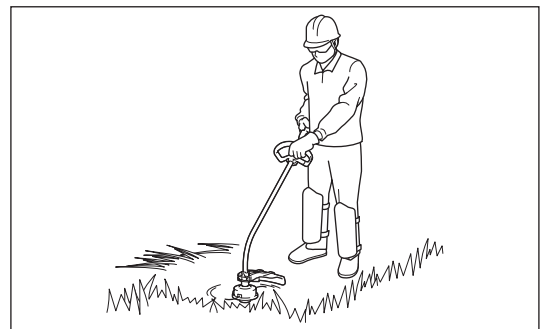


Cutting attachments

- Never use metal blades including metal multi-piece pivoting chains and flail blades. Otherwise blade contact may cause serious injury.

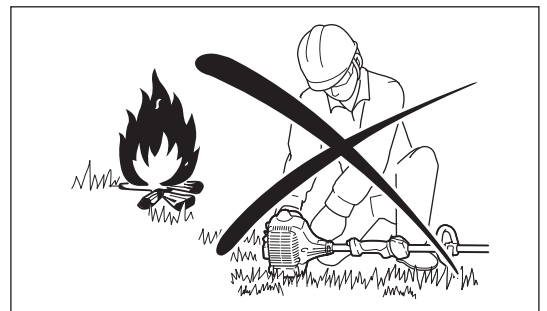
Vibration

- People with poor circulation who are exposed to excessive vibration may experience injury to blood vessels or the nervous system. Vibration may cause the following symptoms to occur in the fingers, hands or wrists: "Falling asleep" (numbness), tingling, pain, stabbing sensation, alteration of skin color or of the skin. If any of these symptoms occur, see a physician!
- To reduce the risk of "white finger disease", keep your hands warm during operation and well maintain the equipment and accessories.



Maintenance instructions

- Have your equipment serviced by our authorized service center, always using only genuine replacement parts. Incorrect repair and poor maintenance can shorten the life of the equipment and increase the risk of accidents.
- The condition of the equipment, in particular of the cutting attachment of the protective devices must be checked before commencing work.
- Turn off the engine and remove spark plug connector when replacing cutting attachments, and also when cleaning the cutter or cutting attachment.
- Pay attention to the environment. Avoid unnecessary throttle operation for less pollution and noise emissions. Adjust the carburetor correctly.
- Clean the equipment at regular intervals and check that all screws and nuts are well tightened.
- Never service or store the equipment in the vicinity of naked flames.
- Always store the equipment in locked rooms and with an emptied fuel tank.



Observe the relevant accident prevention instructions issued by the relevant trade associations and by the insurance companies. Do not perform any modifications to the equipment as this will endanger your safety.

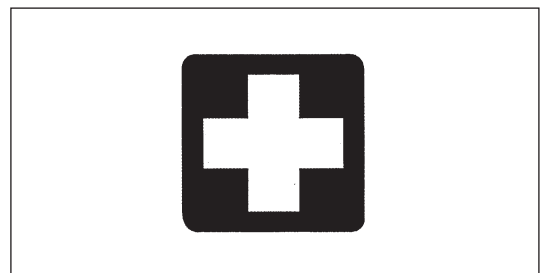
The performance of maintenance or repair work by the user is limited to those activities as described in the instruction manual. All other work is to be done by an Authorized Service Agent. Use only genuine spare parts and accessories released and supplied by DOLMAR. Use of non-approved accessories and tools means increased risk of accidents. DOLMAR will not accept any liability for accidents or damage caused by the use of non-approved cutting attachments and fixing devices of cutting attachments, or accessories.

First Aid

In case of accident make sure that a first-aid box is available in the vicinity of the cutting operations. Immediately replace any item taken from the first aid box.

When asking for help, please give the following information:

- Place of accident
- What happened
- Number of injured persons
- Kind of injuries
- Your name



For European countries only

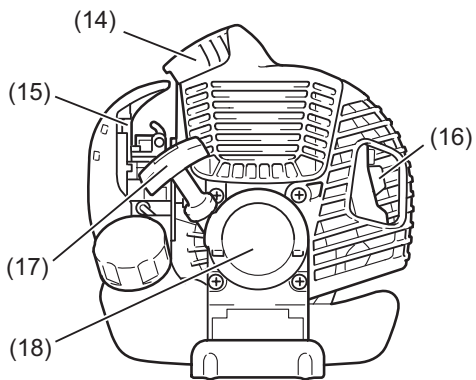
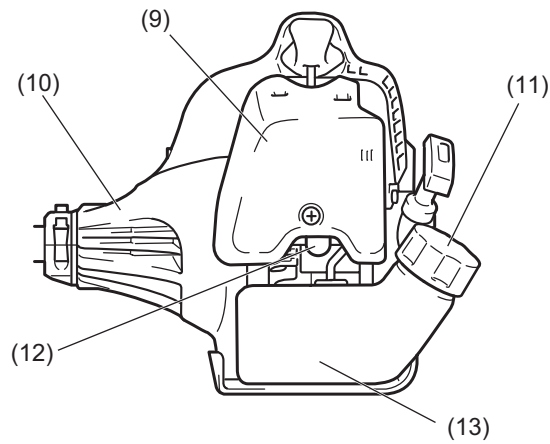
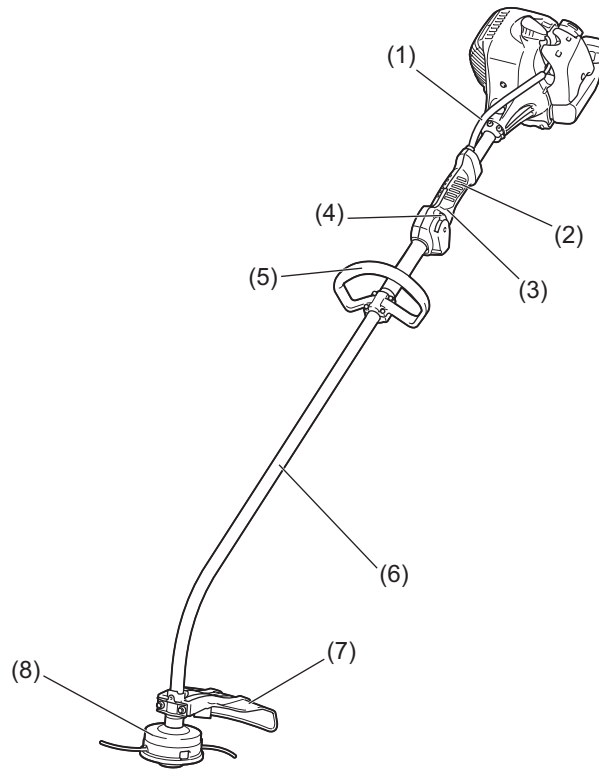
EC Declaration of Conformity

The EC declaration of conformity is included as Annex A to this instruction manual.

TECHNICAL DATA

Model		LT-27		
Handle type		Loop handle		
Dimensions: length x width x height (without cutting tool)		mm	1,645 x 220 x 510	
Net weight		kg	4.3	
Engine type		Air cooled, 2-stroke, single cylinder		
Engine displacement		cm ³	25.7	
Maximum engine performance		kW	0.83	
Maximum rotational frequency of the spindle		min ⁻¹	10,000	
Cutting diameter with nylon cutting head		mm	φ 400	
Idling speed		/min	3,000	
Clutch engagement speed		/min	4,100	
Fuel		Mixed gas Gasoline: Two-stroke Engine Oil = 50:1		
Volume (fuel tank)		L	0.6	
Carburetor		WALBRO WYC		
Spark plug		NGK BPMR7A		
Electrode gap		mm	0.6 - 0.7	
Vibration per ISO 22867	Right handle (Rear grip)	$a_{hv\ eq}$	m/s ²	5.074
		Uncertainty K	m/s ²	1.5
	Left handle (Front grip)	$a_{hv\ eq}$	m/s ²	3.853
		Uncertainty K	m/s ²	1.5
Sound pressure level average to ISO 22868		$L_{PA\ eq}$	dB (A)	91.30
		Uncertainty K	dB (A)	0.85
Sound power level average to ISO 22868		$L_{WA\ eq}$	dB (A)	111.30
		Uncertainty K	dB (A)	0.85

DESIGNATION OF PARTS



Name of parts	
1	Control cable
2	Rear grip
3	Control lever
4	Start-Stop switch
5	Handle
6	Shaft
7	Protector (Cutting tool guard)
8	Nylon cutting head
9	Air cleaner cover
10	Clutch case
11	Fuel tank cap
12	Primer pump
13	Fuel tank
14	Spark plug
15	Choke lever
16	Exhaust muffler
17	Starter handle
18	Recoil starter

MOUNTING OF HANDLE

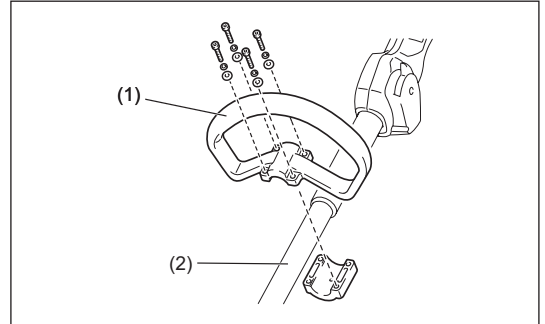
⚠ CAUTION: Before doing any work on the equipment, always stop the engine and pull the spark plug connector off the spark plug. Always wear protective gloves!

⚠ CAUTION: Start the engine only after having assembled it completely.

For machines with loop handle

- Fix the loop handle (1) on the shaft (2).
- Make sure that the spacer on the shaft pipe is located between the grip assembly and the other grip. Do not remove or shrink the spacer.

NOTE: In some countries, the spacer is not provided with the tool. In that case, align the handle to further side of the line which is indicated by the arrow marks.



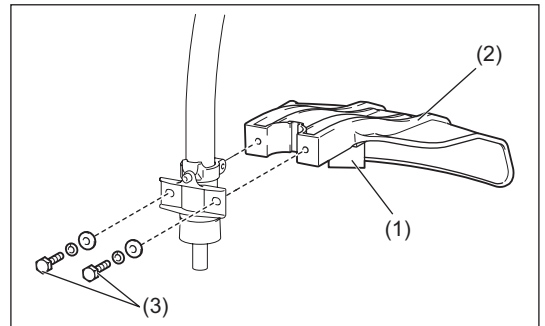
MOUNTING OF PROTECTOR

To meet the applicable safety provisions, only the tool/protector combinations as indicated in the table must be used.

⚠ CAUTION: Do not touch the cord cutter (1) on the protector (2). Touching the cord cutter with bare hands may result in injury.

The protector must be installed to maintain the nylon-cutting-cord length and protect the operator from thrown stones and debris. Install the protector as the following steps.

1. Set the protector so that the rib on the shaft fits into the groove on the protector.
2. Tighten two bolts (3).



MOUNTING OF NYLON CUTTING HEAD

⚠ WARNING: Never use metal blades.

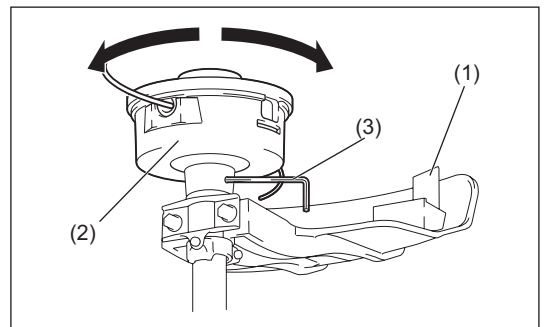
Be sure to use genuine DOLMAR nylon cutting head.

- If the nylon cutting head hits against a stone during operation, stop the engine and check the nylon cutting head immediately.

⚠ CAUTION: Do not touch the cord cutter (1) on the protector. Touching the cord cutter with bare hands may result in injury.

Mount a nylon cutting head (2) as the following steps.

1. Insert the lock key (3) through the hole on the clamp. Rotate them with pushing the lock key in until they are locked.
2. Screw a nylon cutting head onto the shaft by turning it clockwise. Make sure that it is mounted securely.
3. Remove the lock key.



To remove the nylon cutting head, turn it counterclockwise.

Handling fuel

Utmost care is required when handling fuel. Fuel may contain substances similar to solvents. Refuel either in a well ventilated room or outdoors. Do not inhale fuel vapors, and avoid any contact of fuel or oil with your skin. Mineral oil products degrease your skin. Prolonged skin contact with these products will cause your skin to become extremely dry, which may result in various kinds of skin disease. In addition, allergic reactions may occur. Eyes can be irritated by contact with oil. If oil comes into your eyes, immediately wash them with clear water. If your eyes are still irritated, see a doctor immediately.



Observe the Safety Instructions on page 3.

Fuel and oil mixture

The string trimmer engine is a high-efficiency two-stroke engine. It runs on a mixture of fuel and two-stroke engine oil. The engine is designed for unleaded regular fuel with a min. octane value of 91 RON.

To obtain optimum engine performance and to protect your health and the environment, use only unleaded fuel!



To lubricate the engine, add two-stroke engine oil (quality grade: JASO FC or ISO EGD) to the fuel. The engine has been designed to use the specified two-stroke engine oil at mixture ratio of 50:1 to protect the environment. Additionally, long service life accompanied by reliable operation and minimum emissions are guaranteed through the use of this mixture ratio. Reliable functioning of the string trimmer cannot be guaranteed unless this mixture ratio of 50:1 (specified 2-stroke engine oil) is strictly observed.



Correct mixture ratio:

Gasoline: Specified two-stroke engine oil = 50 : 1 or
Gasoline: Other manufacturer's two-stroke engine oil = 25 : 1 recommended

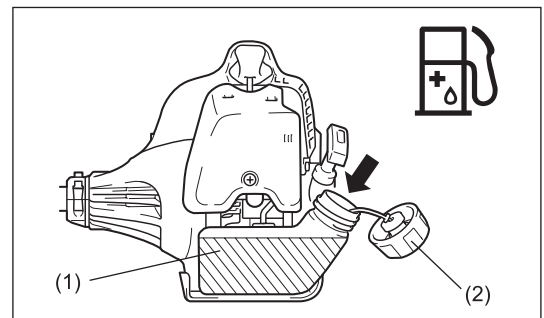
NOTE: To prepare the fuel-oil mixture, first mix the entire oil quantity with half of the fuel required, then add the remaining fuel. Thoroughly shake the mixture before pouring it into the string trimmer tank. To ensure safe operation, do not add more engine oil than the specified amount. Doing so will only result in a higher production of combustion residues which pollute the environment and clog the exhaust channel in the cylinder as well as the muffler. In addition, the fuel consumption will rise and the performance will decrease.

Gasoline	50:1	25:1
	+	
1,000 cm ³ (1 liter)	20 cm ³	40 cm ³
5,000 cm ³ (5 liter)	100 cm ³	200 cm ³
10,000 cm ³ (10 liter)	200 cm ³	400 cm ³

Refuelling

The engine must be switched off.

- Thoroughly clean the area around the fuel filler cap (2) to prevent dirt from getting into the fuel tank (1).
- Unscrew the fuel filler cap (2) and fill the tank with fuel.
- Tightly screw on the fuel filler cap (2).
- Clean the screw fuel filler cap (2) and tank after refuelling.



Storage of Fuel

Fuel cannot be stored for an unlimited period of time. Purchase only the quantity required for a 4-week operating period. Only use approved fuel storage containers.

STARTING/STOPPING

Observe the applicable accident prevention regulations.

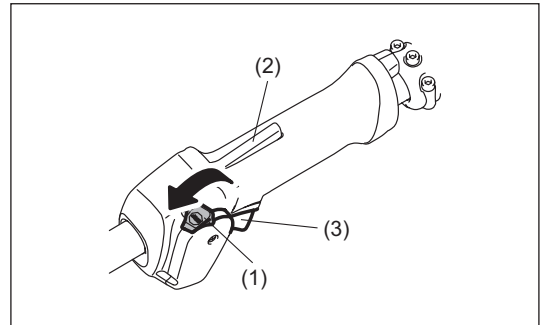
Starting

Move at least 3 m away from the area where you refuelled the equipment. Place the string trimmer on a clean piece of ground taking care that the cutting tool does not come into contact with the ground or any other objects.

WARNING: Pay attention that the cutting tool rotates immediately after the engine starts.

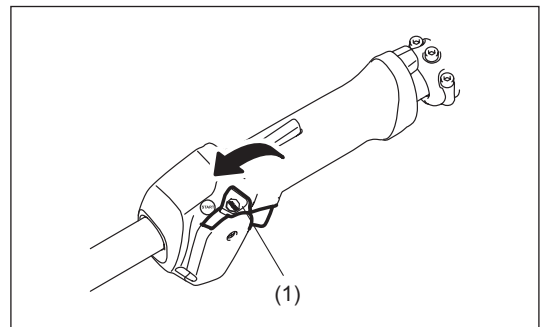
Cold start

- Set the Start-Stop Switch (1) to start position as illustrated.
- Grasp the handle (hand pressure activates the safety lock-off lever (2)).
- Press the throttle lever (3) and hold it down.
- Set the Start-Stop Switch (1) to start position and release the control lever, and then release the Start-Stop Switch (the Start-Stop Switch holds the throttle lever in the start-up position).

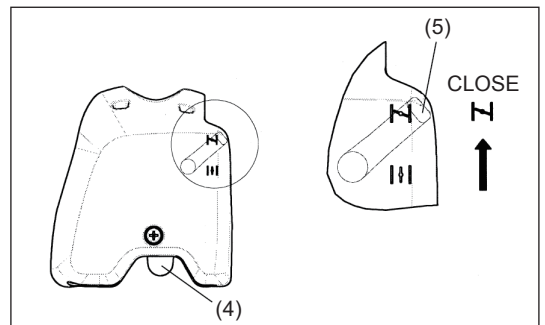


Warm start

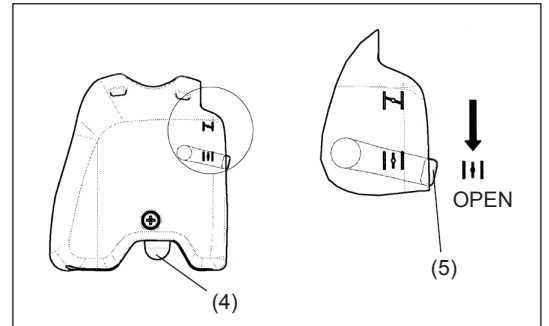
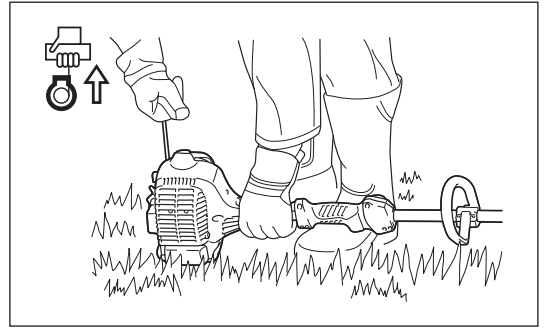
- Set the Start-Stop Switch (1) to neutral position as illustrated.



- First, place the equipment on the ground.
- Gently press the primer pump (4) repeatedly (7-10 times) until fuel comes into the primer pump.
- Close the choke lever (5).
 - Fully closed in cold temperatures or when the engine is cold
 - Fully or half open for restart while the engine is still warm



- Firmly hold the clutch case with your left hand, as illustrated.
- Slowly pull the starter handle until you feel resistance, and then continue to pull sharply.
- Do not pull out the starter rope to its full extent, and do not allow the starter handle to retract by itself. Maintain control of the starter rope and ensure it retracts slowly.
- Repeat the starting operation until you hear the engine's initial ignitions.
- Depress the choke lever (5) (|↓|) and pull the starter rope again until the engine starts.
- As soon as the engine starts, immediately tap and release the throttle, to release the half-throttle lock and allow the engine to idle.
- Run the engine for approximately one minute at a moderate speed before applying full throttle.



- NOTE: – If you pull the starter handle repeatedly when the choke lever is in the at “|↑|” position, the engine will not start easily due to excessive fuel intake.
- If excessive fuel intake occurs, remove the spark plug and pull the starter handle slowly to remove excess fuel. Also, dry the electrode section of the spark plug.

Caution during operation:

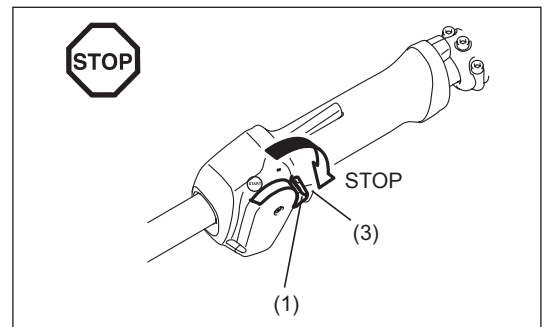
If the throttle lever is opened fully during a no-load operation, the engine revolutions increase over 10,000 min⁻¹. Never operate the engine at a higher speed than required, and keep the revolutions at an approximate speed of 6,000 - 8,000 min⁻¹.

CAUTION: Always reduce the engine revolutions when the equipment is not being used for work.

Operating the equipment at high revolutions when not being used for work will shorten the lifespan of the equipment.

Stopping

- Release the throttle lever (3) fully, and when the engine rpm has lowered, push the Start-Stop Switch (1) to “STOP” position to stop the engine.
- Be aware that the cutting head may not stop immediately, and always allow it to slow down and stop fully by itself.



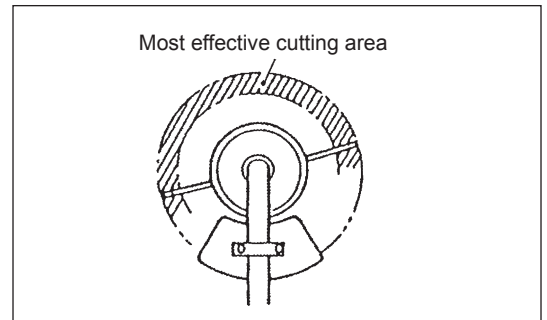
NYLON CUTTING HEAD

The nylon cutting head is a dual line trimmer head that has bump & feed mechanism.

The nylon cutting head feeds out the nylon cord after tapping the trimmer head on the ground.

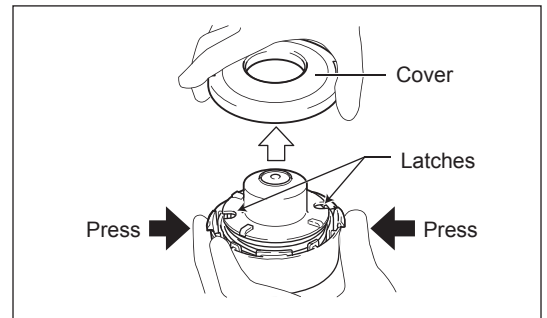
Operation

- The most effective cutting area is shown by the shaded area.
- To feed the nylon cord, increase the nylon cutting head speed to approx. 6,000 min⁻¹ and tap the nylon cutting head lightly on the ground.
- If the nylon cutting head does not feed out by tapping, rewind/replace the nylon cord by following the procedures described under "Replacing the nylon cord."

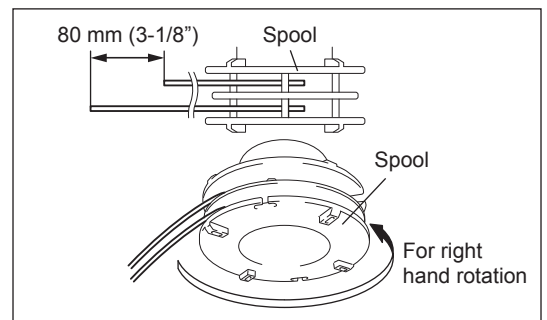


Replacing the nylon cord

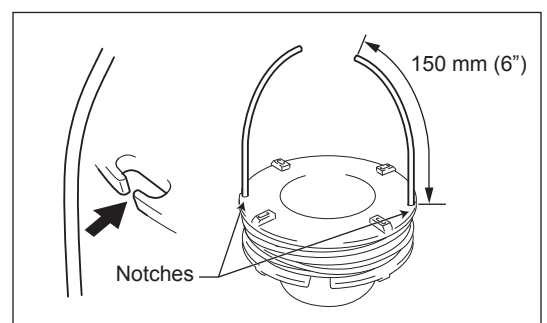
- Stop the engine.
- Press the housing latches inward to lift off the cover, then remove the spool.



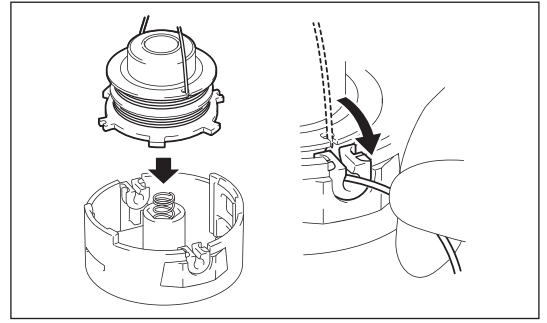
- Hook the center of new nylon cord into the notch in the center of the spool, with one end of the cord extending about 80 mm (3-1/8") more than the other. Then wind both ends firmly around the spool in the direction of the head rotation (right-hand direction indicated by RH on the side of the spool).



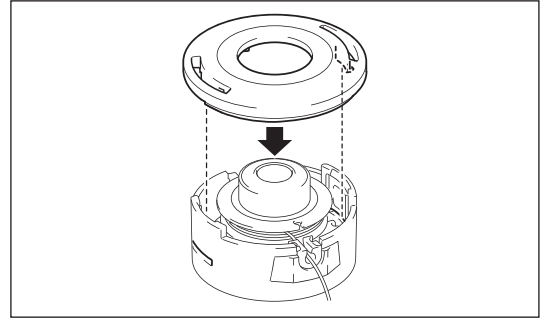
- Wind all but about 150 mm (6") of the cords around the spool, leaving the ends temporarily hooked through the notch on the side of the spool.



- Feed the cords through the slits to come out of the housing. Mount the washer, spring, and spool in the housing.



- Align the hooks on the cover and the housing. Then push cover firmly onto the housing to secure it.



SERVICING INSTRUCTIONS

Servicing instructions

CAUTION: Before performing any type of maintenance work on the string trimmer, always switch off the motor and detach the plug cap from the spark plug (see "checking the spark plug"). Always wear protective gloves.

CAUTION: Never remove the recoil starter yourself. Doing so may cause an accident. This procedure should only be performed by an authorized service center.

To ensure a long service life and to avoid any damage to the equipment, perform the following maintenance operations regularly.

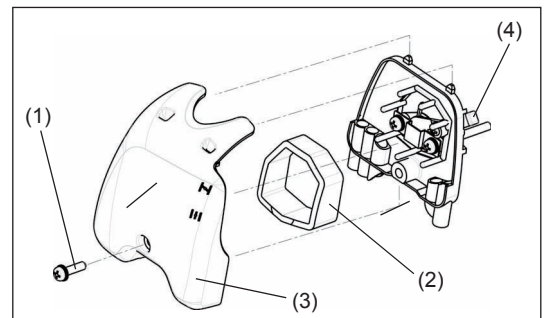
Daily inspection and maintenance

- Before operation, check the equipment for loose screws or missing parts. Pay particular attention to the tightness of the cutter blade or nylon cutting head.
- Before operation, always check to make sure that the cooling air passage and cylinder fins are not clogged. Clean them if necessary.
- Perform the following maintenance operations daily after use:
 - Clean the string trimmer externally and inspect it for damage.
 - Clean the air filter. When working under extremely dusty conditions, clean the filter several times a day.
 - Check the blade or the nylon cutting head for damage and make sure it is firmly mounted.
 - Check that there is sufficient difference between the idling and operating speeds to ensure the cutting tool is at a standstill while the engine is idling (if necessary, reduce the idling speed).
- If the cutting tool continues to rotate during engine idling, consult your nearest Authorized Service Agent.
- Check that the Start-Stop Switch, the lock-off lever, the control lever, and the lock button are all functioning correctly.

Cleaning the air cleaner (filter)

- Turn the choke lever (4) to the fully closed side, and keep the carburetor away from any dust or dirt.
- Remove the screw (1).
- Remove the air cleaner cover (3).
- Remove the sponge element (2), wash it in lukewarm water and dry it completely.
- After cleaning, put back the air cleaner cover (3) and fasten it with screw (1).

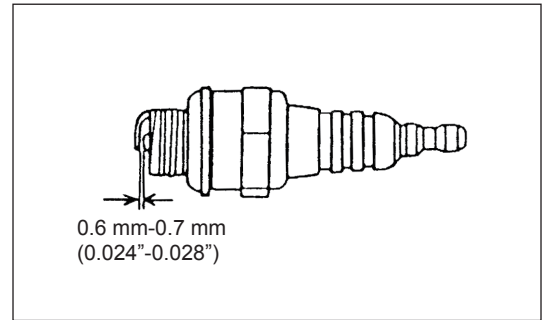
NOTE: If there is excessive dust or dirt adhering to the air cleaner, clean it every day. A clogged air cleaner may make it difficult or impossible to start the engine or increase the engine rotational speed.



Checking the spark plug

- Only use the supplied universal wrench to remove or to install the spark plug.
- The gap between the two electrodes of the spark plug should be 0.6-0.7 mm (0.024"-0.028"). If the gap is too wide or too narrow, adjust it. If the spark plug is clogged with carbon or dirty, clean it thoroughly or replace it.

CAUTION: Never touch the spark plug connector while the engine is running (danger of high voltage electric shock).

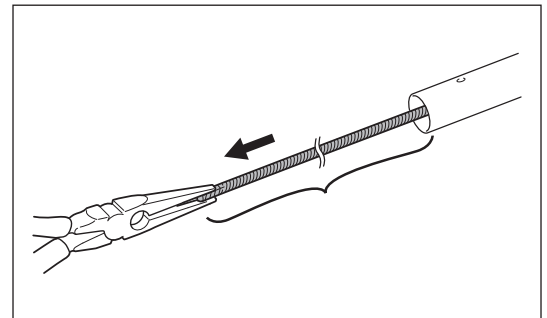
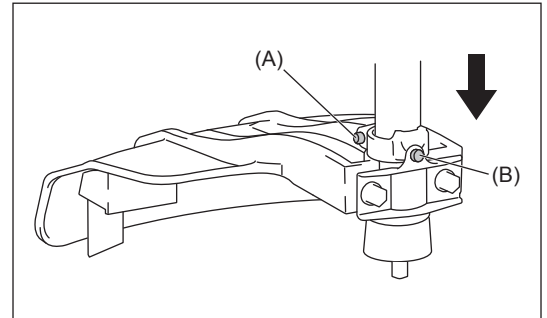


Supply of grease for the flexible shaft

- Supply grease (Shell Alvania 2 or equivalent) to the flexible shaft every 50 hours.
(Genuine DOLMAR grease may be purchased from your DOLMAR dealer.)

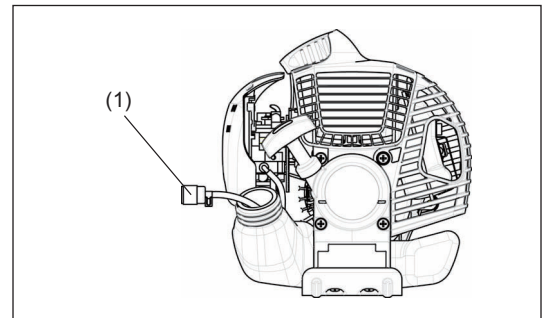
To apply grease, perform the following steps:

1. Remove the bolts (A) and (B).
2. Remove the head unit from the shaft.
3. Pull out the flexible shaft by hand and apply grease.



Suction head in the fuel tank

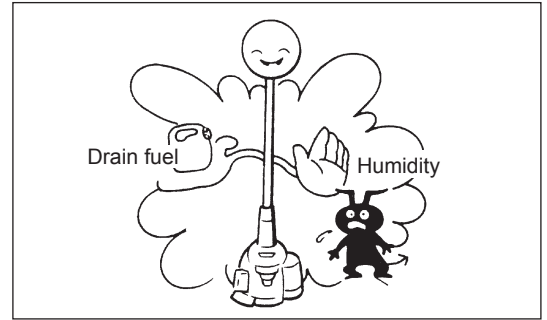
- The fuel filter (1) of the suction head is used to supply the fuel required by the carburetor.
- Visually inspect the fuel filter periodically. To inspect the filter, open the fuel filler cap, use a wire hook and pull out the suction head through the tank opening. Replace the filter if it has hardened, become particularly dirty, or clogged.
- Insufficient fuel supply may result in the maximum permissible speed being exceeded. Therefore, the fuel filter must be replaced at least quarterly to ensure satisfactory fuel supply to the carburetor.



Any other maintenance or adjustment work that is not described in this manual must only be performed by authorized service center.

STORAGE

- When storing the equipment for a long period of time, drain all the fuel from the fuel tank and carburetor. To do this, simply drain all of the fuel from the fuel tank. Dispose of the drained fuel in accordance with local applicable laws.
- Remove the spark plug and add a few drops of oil into the spark plug hole. Then, pull the starter gently so that oil coats the inside of the engine, then tighten the spark plug.
- Clean any dirt or dust from the cutter blade and outside of the engine, and wipe them with an oil-immersed cloth. Store the equipment in a dry place.



Maintenance schedule

General	Engine assembly, screws and nuts	Visual inspection for damage and tightness Check for general condition and security
After each refuelling	Control lever Start-Stop Switch	Functional check Functional check
Daily	Air filter Cooling air duct Cutting tool Idling speed	To be cleaned To be cleaned Check for damage and sharpness Inspection (cutting tool must not move)
Weekly	Spark plug Muffler	Inspection, replace if necessary Inspect, and clean the opening if necessary
Quarterly	Suction head Fuel tank	To be replaced To be cleaned
Shutting down procedure	Fuel tank Carburetor	Empty fuel tank Operate until engine runs out of fuel

Troubleshooting

Fault	System	Observation	Cause
Engine doesn't start, or is difficult to start	Ignition system	Ignition spark O.K.	Fault in fuel supply or compression system, mechanical defect
		No ignition spark	Start-Stop Switch operated, wiring fault or short circuit, spark plug or connector defective, ignition module faulty
	Fuel supply	Fuel tank filled	Incorrect choke position, carburetor defective, fuel supply line bent or blocked, fuel dirty
	Compression	No compression when pulled over	Cylinder bottom gasket defective, crankshaft seals damaged, cylinder or piston rings defective or improper sealing of spark plug
Warm start problems	Mechanical fault	Starter not engaging	Broken starter spring, broken parts inside the engine
		Tank filled. Ignition spark O.K.	Carburetor contaminated, must be cleaned
Engine starts but dies	Fuel supply	Tank filled	Incorrect idling adjustment, carburetor contaminated Fuel tank vent defective, fuel supply line interrupted, cable or Start-Stop Switch faulty
Insufficient performance	Several systems may simultaneously be affected	Engine idling poor	Air filter contaminated, carburetor contaminated, muffler clogged, exhaust duct in the cylinder clogged

Дуже дякуємо Вам за покупку приводного інструмента для садово-городніх робіт DOLMAR. Ми раді рекомендувати Вам виріб DOLMAR, що є результатом довготривалої програми розвитку та багаторічного знання й досвіду.

Будь ласка, прочитайте цю брошуру, в ній детально описуються різні вказівки щодо роботи інструмента, який продемонструє відмінні робочі характеристики. Це допоможе Вам досягти найкращого результату експлуатації Вашого виробу DOLMAR.



Зміст	Сторінка
Позначення.....	16
Інструкції з техніки безпеки	17
Технічні дані	20
Позначення частин	21
Установлення ручки.....	22
Установлення захисного пристрою.....	22
Установлення ріжучої головки з нейлоновим шнуром	22
Пальне/заправлення.....	23
Запуск/зупинення.....	24
Ріжуча головка з нейлоновим шнуром	26
Указівки щодо технічного обслуговування	27
Зберігання	29

ПОЗНАЧЕННЯ

Під час читання цієї інструкції з експлуатації Ви зустрінете такі позначення.

	Ознайомтесь із цією інструкцією з експлуатації та дотримуйтесь застережень та заходів безпеки!		Надягайте захисний шолом та засоби захисту зору та слуху.
	Будьте особливо уважні та обережні!		Гранична швидкість роботи інструмента max 00000min ⁻¹
	Заборонено!		Паливо (газолін)
	Тримайте дистанцію!		Ручний запуск двигуна
	Небезпека предметів, що відлітають!		Аварійна зупинка
	Не паліть!		Перша допомога
	Не використовуйте інструмент поблизу відкритого вогню!		УВІМК./ПУСК
	Надягайте захисні рукавиці!		ВИМК./ЗУПИНЕННЯ
	Надягайте міцне взуття із підшвами, що не ковзають. Ми рекомендуємо захисне взуття зі сталевим носком!		Не використовуйте металеві леза
	Не допускайте сторонніх осіб та домашніх тварин до зони роботи!		

ІНСТРУКЦІЇ З ТЕХНІКИ БЕЗПЕКИ

Загальні положення

- Прочитайте ці інструкції з експлуатації, щоб ознайомитися з правилами поводження з інструментом. Недостатньо інформовані користувачі піддають себе та оточуючих людей небезпеці через невірне поводження з інструментом.
- Використовувати інструмент дозволяється тільки особам, які довели, що вони є його досвідченими користувачами. З цим пристроєм слід завжди передавати й інструкцію.
- Особи, які користуються цим інструментом уперше, повинні попросити дилера надати основні інструкції щодо належного поводження з кордовою газонокосаркою.
- Заборонено користуватись інструментом дітям та особам, яким не виповнилося 18 років. Разом з тим, особам, яким вже виповнилося 16, дозволяється використовувати інструмент з навчальною метою, однак під наглядом кваліфікованого інструктора.
- Використовуйте інструмент із максимальною обережністю й увагою.
- Робота з інструментом дозволяється, тільки якщо Ви перебуваєте в гарній фізичній формі. Усю роботу виконуйте спокійно та обережно. Користувач несе відповідальність за інших людей.
- Ніколи не використовуйте цей інструмент після прийняття ліків чи алкоголю або у разі втоми чи хворобливого стану.
- Національні нормативи можуть обмежувати використання цього обладнання.

Використання інструмента за призначенням

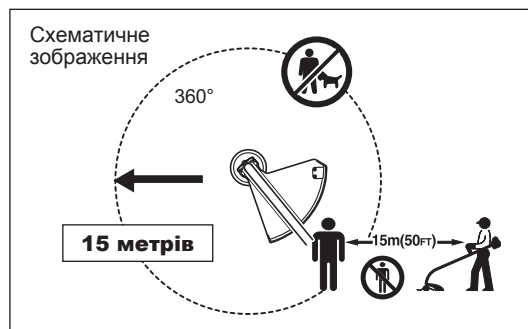
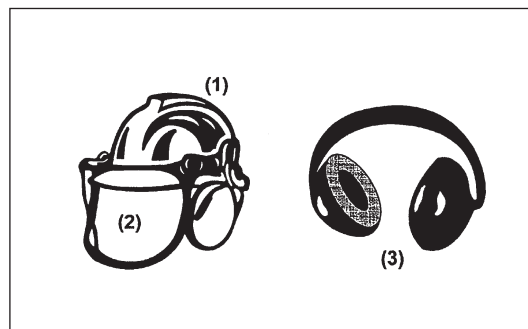
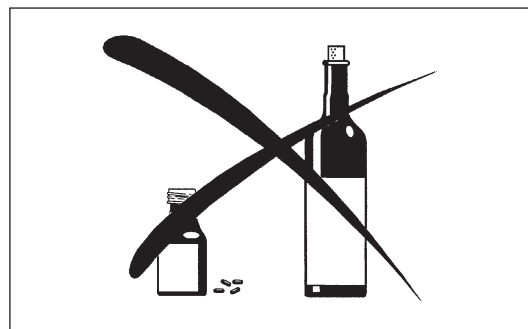
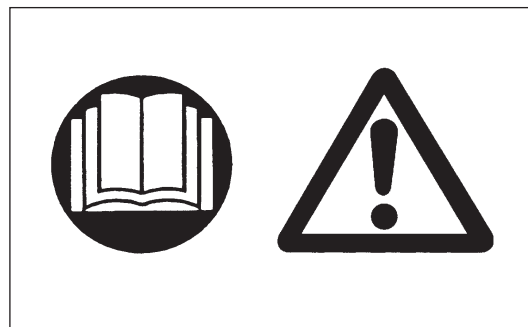
- Цей інструмент призначений для скошування трави та невеликого бур'яну. Не дозволяється використовувати його за іншим призначенням, наприклад, для окантовки та стриження живої рослини, оскільки це може призвести до травм.

Засоби індивідуального захисту

- Одяг, який Ви носите, повинен бути функціональним та відповідним, тобто він має щільно прилягати, проте не заважати роботі. Заборонено надягати біжутерію або одяг, який може заплутатись у гілках або кущах.
- Для запобігання травмам голови, очей, рук або ніг, а також для захисту органів слуху, під час роботи з інструментом слід використовувати такі засоби захисту та захисний спецодяг.
- Завжди надягайте захисний шолом, якщо є небезпека падіння предметів. Захисний шолом (1) слід регулярно перевіряти на наявність пошкоджень та замінювати не рідше, ніж кожні 5 років. Користуйтеся тільки дозволеними захисними шоломами.
- Захисна маска (2) шолому (або захисні окуляри) захищає обличчя від уламків та каміння, що розлітаються. Під час роботи завжди надягайте захисні окуляри або захисну маску, щоб запобігти травмам очей.
- Надягайте відповідні засоби захисту від шуму, щоб запобігти порушенням слуху (навушники (3), вушні втулки тощо).
- Робочий спецодяг (4) захищає від уламків та каміння, що відлітають. Ми наполегливо рекомендуємо надягати робочий спецодяг.
- Рукавиці (5) є частиною відповідного захисного одягу, і їх обов'язково слід надягати кожного разу під час виконання робіт.
- Використовуючи інструмент, завжди надягайте міцне взуття (6) з підошвами, що не ковзають. Це захистить Вас від травм та забезпечить стійку опору на ноги.

Запуск бензинової кордової газонокосарки

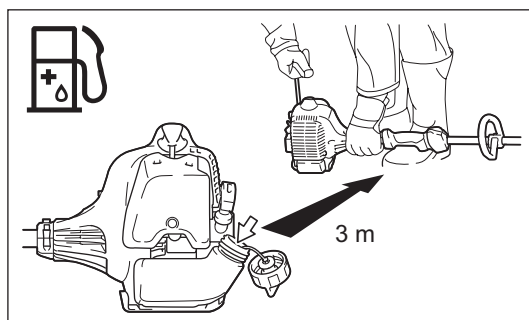
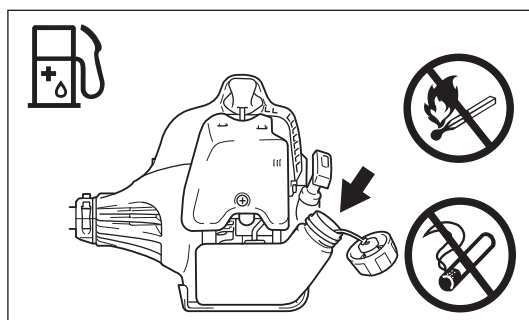
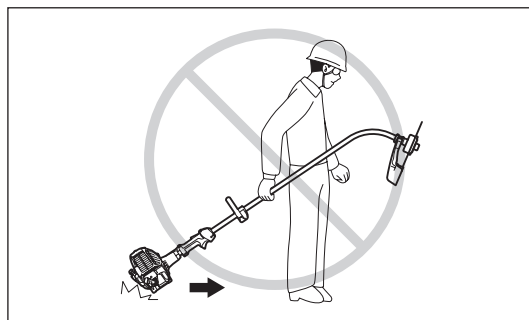
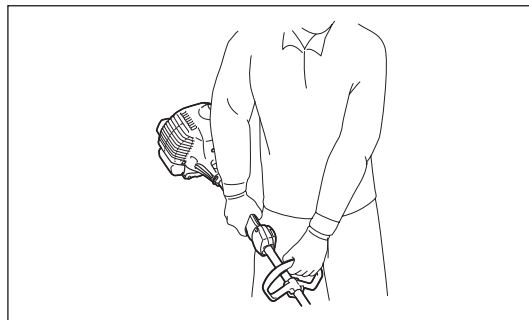
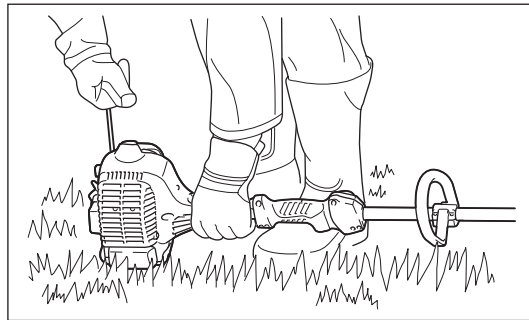
- Будь ласка, переконайтеся, що в радіусі 15 метрів (50 футів) немає дітей або сторонніх осіб, також слідкуйте за тваринами поблизу місця роботи.
- Перед початком роботи завжди перевіряйте, щоб інструмент був у безпечному для роботи стані. Перевіряйте також надійність закріплення ріжучої насадки та безперешкодну роботу важеля постачання пального, а також перевіряйте, чи належним чином працює функція блокування важеля постачання пального.
- Забороняється обертання ріжучої насадки на холостому ходу. Якщо у Вас виникають питання щодо налаштування, звертайтеся до Вашого дилера. Перевіряйте, щоб ручки були чисті та сухі, після чого перевіряйте функціональність пускового перемикача.



- Запускайте бензинову кордову газонокосарку строго у відповідності до інструкцій.
- Не використовуйте інші способи запуску двигуна!
- Використовуйте бензинову кордову газонокосарку та відповідні інструменти тільки за призначенням.
- Запускайте двигун інструмента тільки після повного завершення збирання. Робота з інструментом дозволяється тільки після прикріплення усього відповідного приладдя!
- Перед початком роботи переконайтеся, що ріжуча насадка не торкається твердих предметів, наприклад, гілля, каменів тощо, оскільки під час пуску він обертатиметься.
- У разі виникнення будь-яких проблем із двигуном його слід негайно вимикати.
- Якщо ріжуча насадка наштовхнулася на каміння або на інші тверді предмети, негайно вимкніть двигун та огляньте ріжучу насадку.
- Регулярно оглядайте ріжучу насадку через короткі проміжки часу на наявність ушкоджень (виявлення тонких тріщин за допомогою шуму, що має характер постукування).
- Якщо інструмент зазнав серйозного удару або вдав, перш ніж продовжувати роботу слід перевірити його стан. Перевіряйте паливну систему на наявність витoku пального, а також належне функціонування усіх важелів керування та засобів безпеки. Якщо Ви виявили пошкодження або якщо у Вас виникли будь-які сумніви, звертайтеся до нашого авторизованого сервісного центру для проведення огляду інструмента та його ремонту.
- Під час роботи завжди тримайте бензинову кордову газонокосарку двома руками. Ніколи не тримайте бензинову кордову газонокосарку однією рукою під час роботи.
Постійно слідкуйте за надійною опорою ніг.
- Використовуйте інструмент таким чином, щоб уникнути вдихання вихлопних газів. Ніколи не вмикайте двигун у закритому приміщенні (небезпека отруєння газом). Чадний газ не має запаху.
- Коли Ви відпочиваєте або залишаєте інструмент без нагляду, зупиняйте двигун та кладіть інструмент у безпечне місце, щоб запобігти небезпеці інших осіб або пошкодженню інструмента.
- Ніколи не кладіть бензинову кордову газонокосарку на суху траву або на поверхню із займистого матеріалу.
- Перед запуском двигуна завжди встановлюйте захисний щиток ріжучої насадки. Інакше контакт із ріжучою насадкою може призвести до серйозних травм.
- Під час роботи необхідно використовувати всі захисні пристрої та щитки, що входять до комплекту інструмента.
- Ніколи не користуйтеся двигуном із пошкодженим глушителем.
- Вимикайте двигун під час транспортування.
- Задля запобігання витoku пального під час перевезень слідкуйте за безпечним розташуванням інструмента у транспортному засобі.
- При перевезенні інструмента слід переконатися, що паливний бак порожній.
- Під час знімання інструмента із транспортного засобу ніколи не кидайте двигун на землю, оскільки це може серйозно пошкодити паливний бак.
- Крім аварійних випадків, ніколи не роняйте та не кидайте інструмент на землю, оскільки це може серйозно пошкодити його.
- Під час переміщення не забувайте повністю піднімати інструмент з землі. Волочіння паливного баку є небезпечним і призведе до його пошкодження та витoku пального, що може спричинити пожежу.

Заправлення

- Під час заправлення вимикайте двигун та тримайтесь подалі від відкритого вогню і не паліть.
- Уникайте контакту шкіри із мінеральними нафтопродуктами. Не вдихайте випаровування пального. Під час заправлення завжди надягайте захисні рукавиці. Регулярно замініуйте та чистьте захисний одяг.
- Будьте обережні, щоб не розлити пальне або мастило, оскільки це призведе до забруднення ґрунту (захист довкілля). Якщо Ви розлили пальне, одразу ж очистіть бензинову кордову газонокосарку.
- Уникайте контакту пального із одягом. Негайно замініуйте одяг, якщо на нього потрапило пальне (щоб запобігти займанню одягу).
- Регулярно перевіряйте кришку паливного баку, аби переконатись, що вона надійно закривається та не пропускає рідину.
- Надійно затягуйте кришку паливного баку. Перед увімкненням двигуна переходьте в інше місце (щонайменше на 3 метри від місця заправлення).
- Ніколи не заправляйте інструмент у закритому приміщенні. Випаровування пального збираються на рівні підлоги (небезпека вибуху).
- Перевозить та зберігайте пальне у відповідних контейнерах. Слідкуйте за тим, щоб діти не мали доступу до пального, яке Ви зберігаєте.



Порядок роботи

- Використовуйте інструмент тільки за умов достатнього освітлення та видимості. Узимку бережіться слизьких або вологих ділянок, льоду та снігу (небезпека ковзання). Постійно слідкуйте за надійністю опори на ноги.
- Ніколи не ріжте вище рівня пояса.
- Ніколи не стійте на драбині.
- Ніколи не залізайте на дерева для виконання робіт за допомогою пристрою.
- Ніколи не працюйте на нестійких поверхнях.
- Якщо в межах місця роботи знаходяться цвяхи, пісок, каміння тощо, приборіть їх.
- Перед початком роботи ріжуча насадка повинна розвинути повну робочу швидкість.
- Плавню відводьте бензинову кордову газонокосарку у різні боки. Якщо трава або гілля застрягне між ріжучою насадкою та захисним щитком, завжди вимикайте двигун перед очищенням. Інакше випадкове обертання насадки може призвести до серйозних травм.
- Відпочивайте, щоб не допустити втрати контролю внаслідок перевтомлення. Ми рекомендуємо робити паузу на 10–0 хвилин після кожної години роботи.

Ріжучі насадки

- Ніколи не використовуйте металеві леза, у тому числі ріжучі металеві ланцюги та шарнірні ріжучі пластини. Інакше контакт із лезом може призвести до серйозних травм.

Вібрація

- Людина, яка має поганий кровообіг та постійно стикається із сильною вібрацією, може зазнати порушення кровоносних судин або нервової системи. Вібрація може спричинити наведені нижче симптоми з боку пальців, рук або зап'ястя: "Засинання" (оніміння), дзенькіт у вухах, біль, гострий біль, зміна кольору шкіри або її структури. За наявності хоча б одного із цих симптомів слід обов'язково порадитися із лікарем!
- З метою запобігання ризику появи "синдрому білих пальців" слід стежити за тим, щоб руки були теплими під час роботи з інструментом, а також під час технічного обслуговування обладнання та приладдя.

Інструкції щодо технічного обслуговування

- Ремонт інструмента завжди має виконуватися у нашому авторизованому сервісному центрі з використанням тільки оригінальних запасних частин. Поганий ремонт або неналежне технічне обслуговування можуть скоротити термін служби інструмента та збільшити ризик нещасних випадків.
- Перед початком роботи необхідно перевіряти стан інструмента, особливо його ріжучої насадки та захисних засобів.
- Вимикайте двигун та знімайте конектор свічки запалювання, коли замінюєте або чистите ріжучу насадку.
- Не забувайте про захист довкілля. Не використовуйте важіль постачання пального занадто активно, щоб зменшити рівень шуму та забруднення навколишнього середовища. Належним чином налаштовуйте роботу карбюратора.
- Регулярно чистьте інструмент та перевіряйте, чи міцно затягнуті всі гвинти та гайки.
- Ніколи не здійснюйте технічне обслуговування та не кладіть інструмент на зберігання неподалік від відкритого полум'я.
- Завжди зберігайте інструмент у зачинених приміщеннях з порожнім паливним баком.

Дотримуйтеся усіх відповідних правил техніки безпеки, виданих певними професійними асоціаціями та страховими компаніями. Жодним чином не змінюйте конструкцію цього інструмента, оскільки це ставить під загрозу Вашу безпеку.

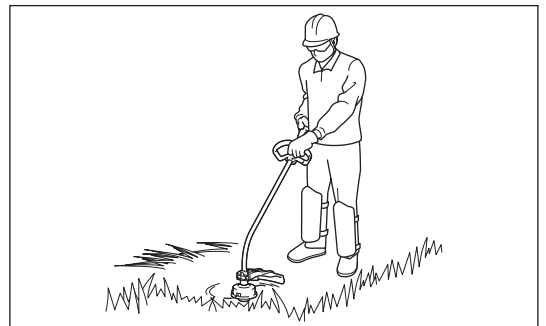
Технічне обслуговування та ремонт, покладені на користувача, обмежуються діями, описаними в цій інструкції з експлуатації. Усі інші роботи повинні виконуватися співробітниками авторизованої станції технічного обслуговування. Використовуйте тільки оригінальні запасні частини та приладдя, випущені та поставлені компанією DOLMAR. Використання nereкомендованого приладдя та інструментів підвищує ризик нещасного випадку. Компанія DOLMAR не несе відповідальності за нещасні випадки або пошкодження, що сталися в результаті використання будь-яких nereкомендованих ріжучих насадок, кріпильних пристроїв ріжучих насадок або приладдя.

Перша допомога

На випадок екстреної ситуації слід перевіряти, щоб аптечка знаходилася неподалік від місця роботи. Слід одразу ж замінювати предмети із аптечки, які були використані.

Викликаючи допомогу, надавайте таку інформацію:

- Місце нещасного випадку
- Що сталося
- Кількість поранених людей
- Тип поранень
- Ваше ім'я



Тільки для країн Європи

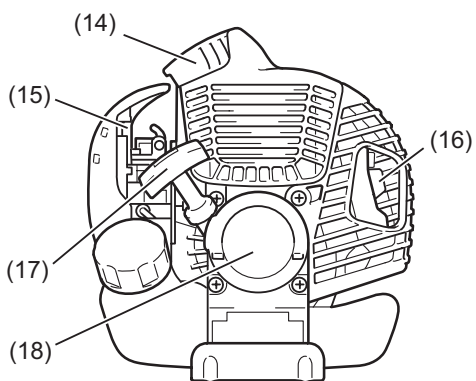
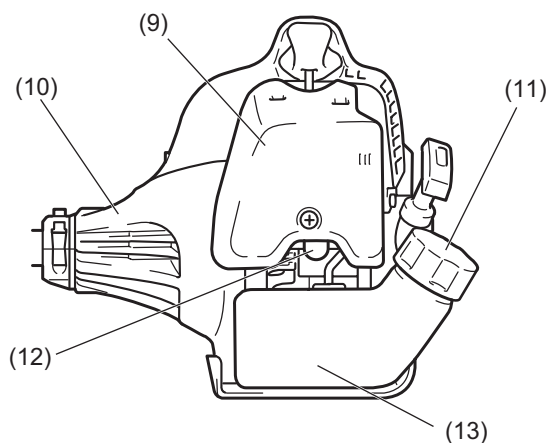
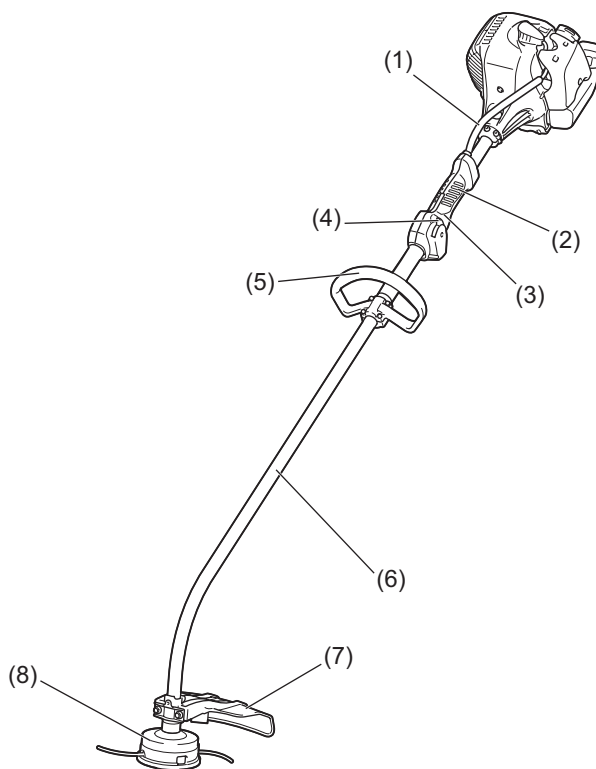
Декларація про відповідність стандартам ЄС

Декларація про відповідність стандартам ЄС входить до цих інструкцій з експлуатації як Додаток А.

ТЕХНІЧНІ ДАНІ

Модель		LT-27		
Тип ручки		Ручка-дужка		
Розміри: довжина x ширина x висота (без ріжучого інструмента)		мм	1645 x 220 x 510	
Вага нетто		кг	4,3	
Тип двигуна		2-тактний, із повітряним охолодженням, одноциліндровий		
Робочий об'єм двигуна		см ³	25,7	
Максимальна продуктивність двигуна		кВт	0,83	
Максимальна частота обертання шпинделя		хв ⁻¹	10000	
Ріжучий діаметр з ріжучою головкою з нейлоновим шнуром		мм	φ 400	
Швидкість холостого ходу		/хв	3000	
Швидкість включення зчеплення		/хв	4100	
Пальне		Газова суміш Бензин : Мастило для двотактних двигунів = 50:1		
Об'єм (паливного баку)		л	0,6	
Карбюратор		WALBRO WYC		
Свічка запалювання		NGK BPMR7A		
Зазор між електродами		мм	0,6–0,7	
Вібрація відповідно до ISO 22867	Права ручка (задня ручка)	$a_{hv\ eq}$	м/с ²	5,074
		Похибка (К)	м/с ²	1,5
	Ліва ручка (передня ручка)	$a_{hv\ eq}$	м/с ²	3,853
		Похибка (К)	м/с ²	1,5
Середній рівень звукового тиску відповідно до ISO 22868	$L_{PA\ eq}$	дБ (А)	91,30	
	Похибка (К)	дБ (А)	0,85	
Середній рівень звукової потужності відповідно до ISO 22868	$L_{WA\ eq}$	дБ (А)	111,30	
	Похибка (К)	дБ (А)	0,85	

ПОЗНАЧЕННЯ ЧАСТИН



Назви частин	
1	Кабель керування
2	Задня ручка
3	Важіль керування двигуном
4	Перемикач запуску/зупинення
5	Ручка
6	Вал
7	Захисний пристрій (кожух ріжучого інструмента)
8	Ріжуча головка з нейлоновим шнуром
9	Кришка повітряного фільтра
10	Корпус муфти зчеплення
11	Кришка паливного баку
12	Насос підкачування
13	Паливний бак
14	Свічка запалювання
15	Важіль дроселювання
16	Глушитель
17	Ручка стартера
18	Ручний стартер

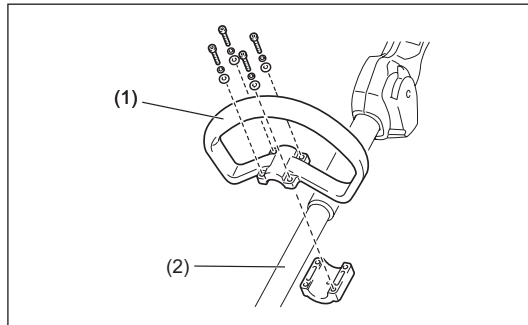
УСТАНОВЛЕННЯ РУЧКИ

- ⚠ ЗАСТЕРЕЖЕННЯ:** Перед проведенням будь-яких робіт на інструменті завжди зупиняйте двигун та знімайте конектор зі свічки запалювання.
Завжди надягайте захисні рукавиці!
- ⚠ ЗАСТЕРЕЖЕННЯ:** Запускайте двигун тільки після того, як інструмент було повністю зібрано.

Для пристроїв із рукою-дужкою

- Зафіксуйте ручку-дужку (1) на валу (2).
- Переконайтеся, що розпірна вставка на валу розташована між вузлом ручки та іншою рукою. Не знімайте та не стискайте розпірну вставку.

ПРИМІТКА: У деяких країнах розпірна вставка не входить до комплекту постачання інструмента. У такому разі ручку слід установити на дальньому боці лінії, що позначається стрілочками.



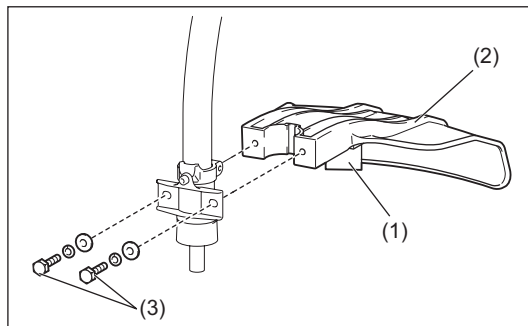
УСТАНОВЛЕННЯ ЗАХИСНОГО ПРИСТРОЮ

З метою дотримання встановлених правил з техніки безпеки потрібно використовувати лише комбінації інструмента/захисного пристрою, наведені в таблиці.

- ⚠ ЗАСТЕРЕЖЕННЯ:** Уникайте контакту із ножом для шнура (1) на захисному пристрої (2). Торкання ножа для шнура голими руками може призвести до отримання травм.

Захисний пристрій має бути встановлений для забезпечення належної довжини нейлового ріжучого шнура та для забезпечення захисту оператора від каміння та уламків, що розлітаються. Для встановлення захисного пристрою слід виконати наведені нижче кроки.

1. Установіть захисний пристрій таким чином, щоб виступ на валу увійшов у паз на захисному пристрої.
2. Затягніть два болти (3).



УСТАНОВЛЕННЯ РІЖУЧОЇ ГОЛОВКИ З НЕЙЛОНОВИМ ШНУРОМ

- ⚠ УВАГА:** Не використовуйте металеві ріжучі пластини.

Обов'язково використовуйте оригінальну ріжучу головку з нейлоновим шнуром виробництва компанії DOLMAR.

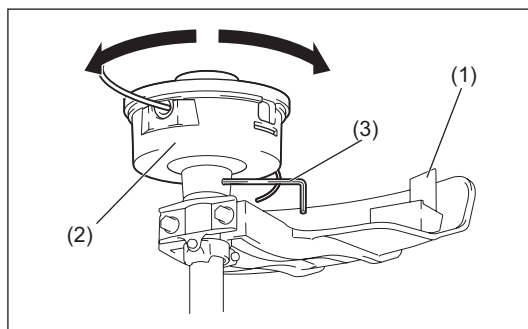
- Якщо під час роботи ріжуча головка з нейлоновим шнуром натрапить на каміння, зупиніть двигун та негайно її перевірте.

- ⚠ ЗАСТЕРЕЖЕННЯ:** Уникайте контакту із ножом для шнура (1) на захисному пристрої. Торкання ножа для шнура голими руками може призвести до отримання травм.

Для встановлення ріжучої головки з нейлоновим шнуром (2) слід виконати наведені нижче кроки.

1. Уставте блокувальний ключ (3) в отвір на затискачі. Поверніть їх, натискаючи одночасно на блокувальний ключ, для досягнення фіксації.
2. Пригвинтіть ріжучу головку з нейлоновим шнуром до валу, повертаючи її за годинниковою стрілкою. Перевірте надійність встановлення.
3. Дістаньте блокувальний ключ.

Щоб зняти ріжучу головку з нейлоновим шнуром, її слід повернути проти годинникової стрілки.



Поводження з паливом

Поводитися з паливом слід особливо обережно. Пальне може містити речовини, подібні розчинникам. Заправляти пристрій паливом необхідно або в добре вентильованому приміщенні, або просто неба. Не вдихайте випари пального, уникайте будь-якого контакту пального або мастила зі шкірою. Нафтопродукти знежирюють шкіру. Через тривалий контакт із цими речовинами шкіра може стати занадто сухою, і це призведе до появи різних хвороб шкіри. На додаток можуть виникнути алергічні реакції. Потрапляння мастила в очі може призвести до їхнього подразнення. У разі потрапляння мастила в очі слід негайно промити їх чистою водою. Якщо подразнення не пройшло, слід негайно звернутися до лікаря.



Дотримуйтесь інструкцій з техніки безпеки, наведених на стор. 17.

Суміш пального та мастила

Двигун кордової газонокосарки – це високопродуктивний двотактний двигун. Він працює від суміші пального і мастила для двотактних двигунів. Двигун розроблений для роботи на стандартному неетилованому паливі з мінімальним октановим числом 91 RON. Щоб досягти оптимальної продуктивності двигуна та не завдати шкоди власному здоров'ю та довкіллю, використовуйте тільки неетиловане пальне!

Для змащування двигуна слід додавати мастило для двотактних двигунів (марка якості: JASO FC або ISO EGD) до пального. Двигун розрахований на використання вказаного мастила для двотактних двигунів у співвідношенні компонентів суміші 50:1 для захисту довкілля.

Довгий термін служби і надійна робота з мінімальними викидами забруднювальних речовин в атмосферу гарантовані у разі використання суміші з указаним співвідношенням компонентів. Обов'язково потрібно дотримуватися співвідношення компонентів суміші 50:1 (вказане мастило для двотактних двигунів), інакше надійну роботу кордової газонокосарки гарантувати неможливо.

Належне співвідношення компонентів суміші:

Бензин : Указане мастило для двотактного двигуна = 50 : 1 або
 Бензин : Мастило для двотактного двигуна іншого виробника = 25 : 1
 (рекомендовано)

ПРИМІТКА: Для підготовки паливно-мастильної суміші слід спочатку змішати всю кількість мастила з половиною потрібного пального, а потім додати решту пального. Перш ніж заливати суміш в бак кордової газонокосарки, її треба ретельно збовтати. Для забезпечення безпечної роботи недоцільно додавати більше моторного мастила, ніж зазначено. Недотримання цієї рекомендації призведе тільки до збільшення кількості продуктів згоряння, які забруднюватимуть довкілля та засмічуватимуть вихлопний канал в циліндрі й глушитель. До того ж збільшиться споживання пального, а продуктивність впаде.

Заправка



Двигун повинен бути вимкненим.

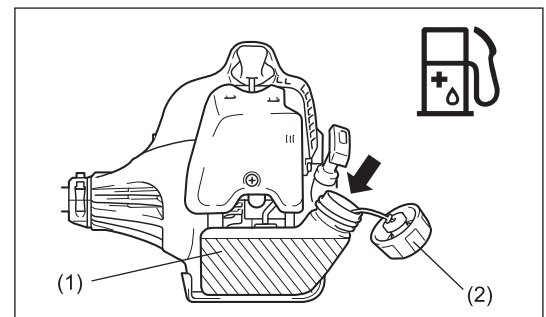
- Ретельно очистіть ділянку навколо кришки заливної горловини (2), щоб запобігти потраплянню бруду в паливний бак (1).
- Відкрутіть кришку заливної горловини (2) та наповніть бак паливом.
- Щільно закрийте кришку заливної горловини (2).
- Після заправки протріть кришку заливної горловини (2) та бак.

Зберігання пального

Пальне не може зберігатися протягом необмеженого часу. Купуйте лише кількість, необхідну для 4 тижнів роботи. Використовуйте тільки відповідні контейнери для зберігання пального.



Бензин	50:1	25:1
	+	
1000 см ³ (1 літр)	20 см ³	40 см ³
5000 см ³ (5 літрів)	100 см ³	200 см ³
10000 см ³ (10 літрів)	200 см ³	400 см ³



ЗАПУСК/ЗУПИНЕННЯ

Дотримуйтесь усіх застосовних правил безпеки.

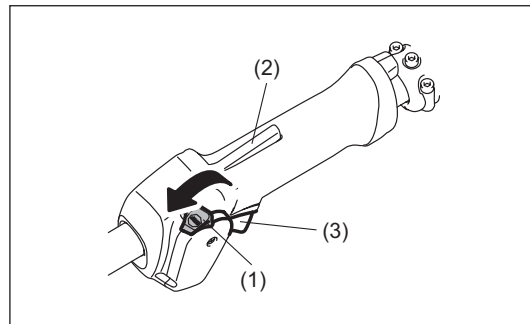
Запуск

Відійдіть щонайменше на 3 метри від місця заправлення пристрою. Розташуйте кордову газонокосарку на відкритій ділянці землі, слідкуючи за тим, щоб ріжучий інструмент не торкався землі та інших предметів.

УВАГА: Зверніть увагу на те, що ріжучий інструмент починає обертатися відразу після запуску двигуна.

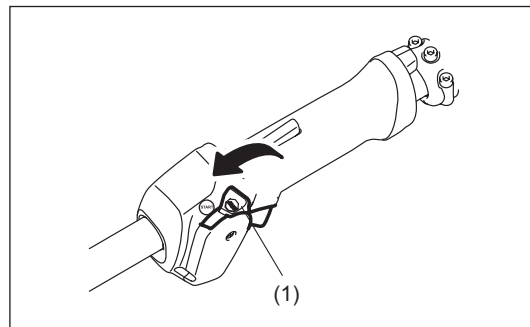
Холодний запуск

- Установіть перемикач запуску/зупинення (1) у положення запуску, як зображено на малюнку.
- Візьміться за ручку (тиск руки активує захисний важіль блокування (2)).
- Натисніть на важіль постачання пального (3) і утримуйте його в нижньому положенні.
- Установіть перемикач запуску/зупинення (1) у положення запуску і відпустіть важіль керування двигуном, після чого відпустіть перемикач запуску/зупинення (перемикач запуску/зупинення утримує важіль постачання пального у положенні запуску).

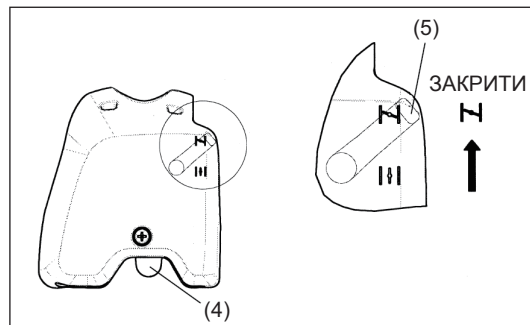


Теплий запуск

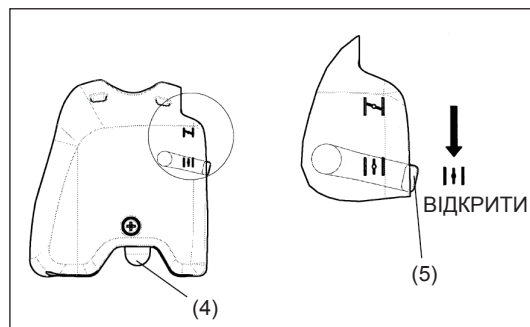
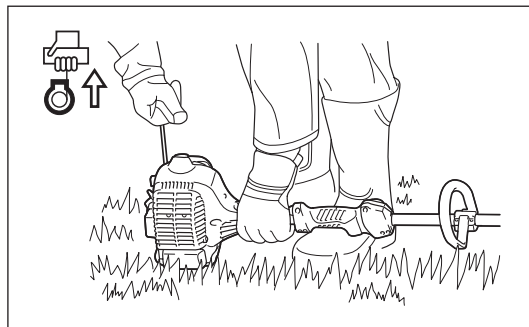
- Установіть перемикач запуску/зупинення (1) у нейтральне положення, як зображено на малюнку.



- Спочатку поставте пристрій на землю.
- Обережно зробіть декілька натискань (7–10 разів) на насос підкачування (4), поки пальне не потрапить всередину насоса підкачування.
- Закрийте важіль дроселювання (5).
 - Відкривання важеля дроселювання:
 - Повністю закритий за низьких температур або при холодному двигуні
 - Повністю відкритий або відкритий наполовину для повторного запуску двигуна, якщо двигун все ще теплий



- Міцно тримайте корпус муфти зчеплення лівою рукою, як показано на малюнку.
- Обережно потягніть за ручку стартера, поки не відчуєте опір, після чого потягніть різко.
- Не витягуйте трос стартера до кінця і не допускайте неконтрольованого повернення ручки стартера у вихідне положення. Зберігайте контроль над тросом стартера, щоб він втягувався повільно.
- Повторіть операцію запуску, поки не почуєте звук початкового запуску двигуна.
- Натисніть на важіль дроселювання (5) (|↑|) і знову потягніть за трос стартера, поки двигун не запусниться.
- Щойно двигун запусниться, відразу ж натисніть та відпустіть дросельну заслінку, тим самим знімаючи блокування напіввідкритої дросельної заслінки, щоб двигун міг працювати на холостому ході.
- Дайте двигуну попрацювати приблизно протягом однієї хвилини на помірній швидкості, перш ніж повністю відкрити заслінку.



- ПРИМІТКА:** – Якщо неодноразово потягнути за ручку стартера, коли важіль дроселювання залишається в положенні “|↑|”, двигун запусниться не відразу через надмірну подачу пального.
- У разі надмірної подачі пального зніміть свічку запалювання та повільно потягніть за ручку стартера, щоб видалити зайве пальне. Також висушіть електрод свічки запалювання.

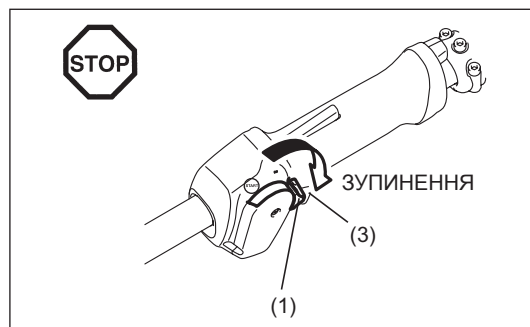
Заходи безпеки під час роботи:

Якщо важіль постачання пального повністю відкритий при роботі на холостому ході, кількість обертів двигуна зростає до 10000 хв⁻¹. Забороняється працювати з двигуном на швидкості вище потрібної, яка дорівнює 6000 – 8000 хв⁻¹.

ЗАСТЕРЕЖЕННЯ: Завжди скорочуйте кількість обертів двигуна, коли пристрій не використовується для виконання роботи. Використання пристрою на високих обертах без виконання роботи скорочує термін служби пристрою.

Зупинення

- Повністю відпустіть важіль постачання пального (3) та, коли кількість обертів двигуна на хвилину знизиться, установіть перемикач запуску/зупинення (1) в положення “STOP” (ЗУПИНЕННЯ), щоб зупинити двигун.
- Зверніть увагу, що ріжуча головка може не зупинитися відразу, отже, дозвольте їй самостійно повністю зупинитися.



РІЖУЧА ГОЛОВКА З НЕЙЛОНОВИМ ШНУРОМ

Ріжуча голівка з нейлоновим шнуром – це подвійна голівка газонокосарки, конструкція якої оснащена механізмом випускання шнура за рахунок удару. У ріжучої голівки з нейлоновим шнуром випускання шнура відбувається після легкого удару ріжучою голівкою об землю.

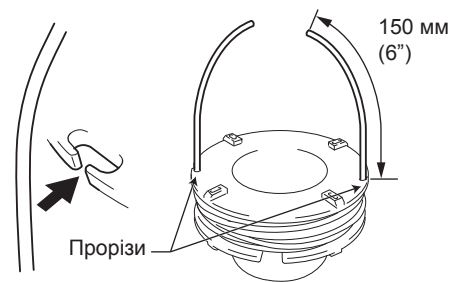
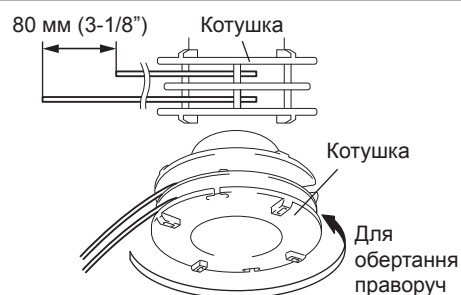
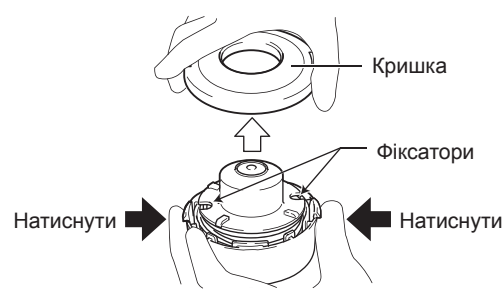
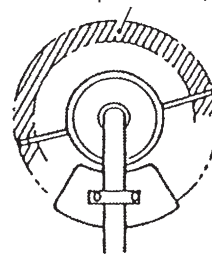
Робота

- Сектор, найбільш ефективний для різання, показаний затемненою ділянкою.
- Для того щоб випустити нейлоновий шнур, збільште швидкість ріжучої голівки з нейлоновим шнуром приблизно до 6000 хв⁻¹ та злегка вдарте нею об землю.
- Якщо нейлоновий шнур не випускається шляхом стукання ріжучою голівкою з нейлоновим шнуром об землю, перемотайте/замініть його таким чином, як описано нижче в пункті “Заміна нейлонового шнура”.

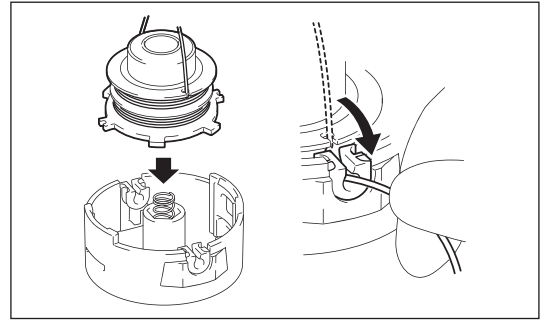
Заміна нейлонового шнура

- Зупиніть двигун.
- Натисніть на фіксатори корпусу, щоб підняти кришку, та витягніть катушку.
- Просмикніть середню частину нового нейлонового шнура у формі петлі у проріз у центрі катушки таким чином, щоб один кінець шнура був приблизно на 80 мм (3-1/8”) довшим за інший. Потім щільно намотайте обидва кінці шнура на катушку у напрямку обертання голівки (напрямок праворуч позначений на боці катушки як RH).
- Не намотуйте приблизно 150 мм (6”) обох шнурів на катушку, а, просмикнувши кінці крізь прорізи з боків катушки, тимчасово залиште їх в такому положенні.

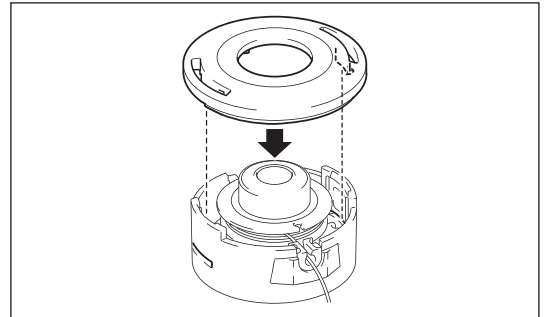
Сектор, найбільш ефективний для різання



- Висуньте шнури з корпуса крізь вушка.
Установіть шайбу, пружину та катушку у корпус.



- Узгодьте гачки на кришці та корпусі.
Потім, міцно натиснувши на кришку, закріпіть її на корпусі.



УКАЗІВКИ ЩОДО ТЕХНІЧНОГО ОБСЛУГОВУВАННЯ

Указівки щодо технічного обслуговування

ЗАСТЕРЕЖЕННЯ: Перед проведенням будь-яких робіт із технічного обслуговування на кордовій газонокосарці завжди зупиняйте двигун та від'єднайте ковпачок від свічки запалювання (див. "Перевірка свічки запалювання").
Завжди надягайте захисні рукавиці.

ЗАСТЕРЕЖЕННЯ: Ніколи не знімайте ручний стартер самотужки. Недотримання цієї вимоги може призвести до нещасного випадку. Ця процедура повинна проводитися тільки в авторизованому сервісному центрі.

Для забезпечення довгого терміну служби та для запобігання пошкодженню пристрою слід регулярно проводити таке технічне обслуговування.

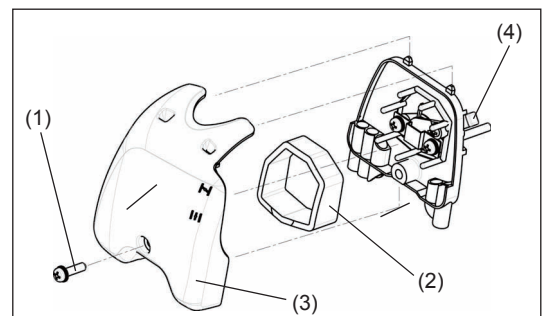
Щоденний технічний огляд та технічне обслуговування

- Перед початком роботи перевіряйте, чи всі гвинти пристрою затягнуті належним чином, а також чи присутні всі деталі. Особливу увагу звертайте на міцність закріплення ріжучої пластини або ріжучої головки з нейлоновим шнуром.
- Перед початком роботи завжди перевіряйте, чи не закупорені ребра циліндра та повітрязабірник охолоджувального повітря. За необхідності чистьте їх.
- Щодня після роботи з пристроєм здійснюйте такі операції з технічного обслуговування:
 - Чистьте кордову газонокосарку ззовні та перевіряйте пристрій на предмет пошкоджень.
 - Чистьте повітряний фільтр. Якщо Ви працюєте у надзвичайно запиленому середовищі, чистьте фільтр декілька разів на день.
 - Перевіряйте ріжучу пластину або ріжучу головку з нейлоновим шнуром на предмет пошкоджень, а також перевіряйте, чи надійно вони встановлені.
 - Перевіряйте, щоб між швидкістю холостого ходу та робочою швидкістю була суттєва різниця, щоб забезпечити нерухомість ріжучого інструмента під час роботи двигуна на холостому ходу (за необхідності зменште швидкість холостого ходу). Якщо на холостому ходу ріжучий інструмент все ще продовжує обертатися, зверніться до співробітника найближчого авторизованого сервісного центру.
- Перевіряйте належне функціонування перемикача запуску/зупинення, важеля блокування, важеля керування двигуном та кнопки блокування.

Очищення повітряного фільтра

- Повністю поверніть важіль дроселювання (4) у бік закриття; тримайте карбюратор подалі від пилу та бруду.
- Викартіть гвинт (1).
- Зніміть кришку повітряного фільтра (3).
- Зніміть пористий компонент (2), промийте його теплою водою, після чого ретельно просушіть.
- Після завершення процедури чищення встановіть назад кришку повітряного фільтра (3) та зафіксуйте її за допомогою гвинта (1).

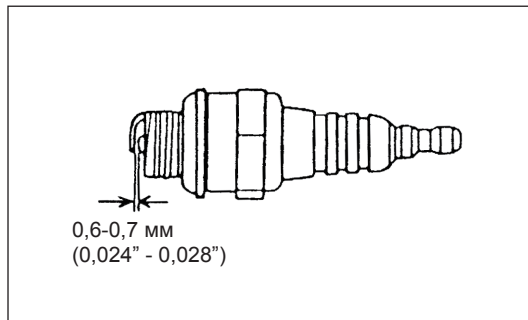
ПРИМІТКА: Якщо на повітряний фільтр налипає надмірна кількість пилу або бруду, чистьте його щоденно. Закупорений повітряний фільтр ускладнює або унеможлиблює запуск двигуна або збільшення швидкості його обертання.



Перевірка свічки запалювання

- Для знімання або встановлення свічки запалювання використовуйте тільки універсальний гайковий ключ, який входить до комплекту постачання інструмента.
- Зазор між двома електродами свічки запалювання повинен становити 0,6-0,7 мм (0,024" - 0,028"). Якщо зазор занадто великий чи занадто малий, відрегулюйте його. Якщо свічка запалювання вкрита сажею або брудом, ретельно почистіть або замініть її.

ЗАСТЕРЕЖЕННЯ: Ніколи не торкайтеся конектора свічки запалювання під час роботи двигуна (небезпека ураження струмом високої напруги).

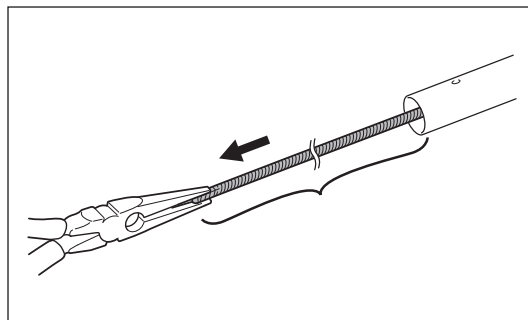
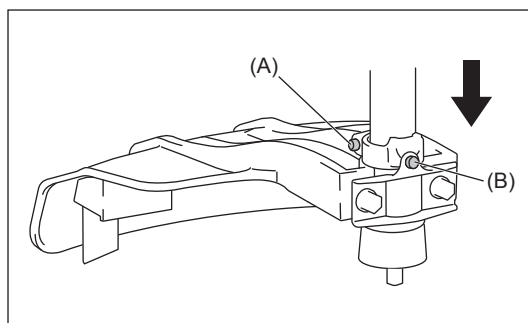


Подача консистентного мастила на гнучкий вал

- Подавайте консистентне мастило (Shell Alvania 2 або еквівалентне) на гнучкий вал через кожні 50 годин роботи. (Оригінальне консистентне мастило DOLMAR Ви можете придбати у дилера компанії DOLMAR.)

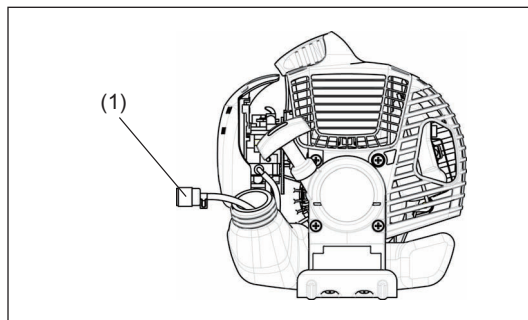
Щоб нанести консистентне мастило, виконайте такі дії:

1. Відкрутіть болти (A) та (B).
2. Зніміть з валу головку.
3. Витягніть гнучкий вал рукою та нанесіть консистентне мастило.



Усмоктувальна головка в паливному баку

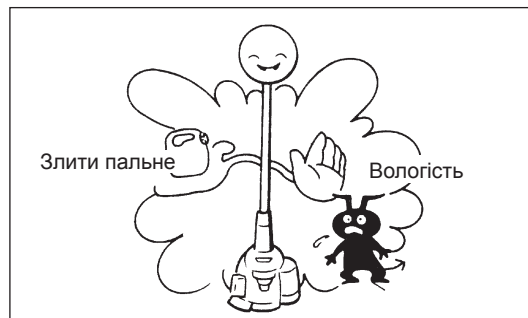
- Паливний фільтр (1) усмоктувальної головки використовується для постачання пального, необхідного для карбюратора.
- Періодично перевіряйте паливний фільтр. Для того щоб оглянути фільтр, необхідно відкрити кришку заливної горловини та за допомогою гачка з дроту витягнути усмоктувальну головку через отвір у баку. У разі ускладнення фільтрації, забруднення та засмічення фільтра його слід замінити.
- Недостатнє постачання пального може призвести до перевищення максимально припустимої швидкості. Тому паливний фільтр слід замінювати щонайменше один раз на три місяці, щоб забезпечити задовільне постачання пального до карбюратора.



Будь-які інші види технічного обслуговування та роботи із регулювання, не описані в цій інструкції з експлуатації, повинні виконуватися тільки в авторизованому сервісному центрі.

ЗБЕРІГАННЯ

- У разі тривалого зберігання пристрою злийте все пальне з паливного баку та карбюратора. Щоб зробити це, просто злийте все пальне з паливного баку. Утилізуйте злите пальне належним чином відповідно до застосованих місцевих законів.
- Зніміть свічку запалювання і додайте декілька крапель мастила в отвір свічки запалювання. Після цього обережно потягніть за ручку стартера, щоб мастило розтеклося по двигуну, а потім установіть свічку запалювання.
- Видаліть пил та бруд з ріжучої пластини та зовнішньої частини двигуна, протріть їхню поверхню змоченою у мастилі тканиною. Зберігайте пристрій у сухому місці.



Графік технічного обслуговування

Загальні відомості	Вузол двигуна, гвинти і гайки	Візуальна перевірка на наявність пошкоджень і надійне затягування Перевірка загального стану та безпеки
Після кожного заправлення	Важіль керування двигуном Перемикач запуску/зупинення	Перевірка функціонування Перевірка функціонування
Щодня	Повітряний фільтр Канал охолоджувального повітря Ріжучий інструмент Швидкість холостого ходу	Чищення Чищення Перевірка на наявність пошкоджень та на якість заточування Перевірка (ріжучий інструмент не повинен рухатися)
Щотижня	Свічка запалювання Глушитель	Перевірка, за необхідності заміна Перевірка та за необхідності чищення отвору
Щоквартально	Усмоктувальна головка Паливний бак	Заміна Чищення
Процедура відключення	Паливний бак Карбюратор	Спорожнення паливного баку Робота до закінчення пального у двигуні

Усунення несправностей

Несправність	Система	Спостереження	Причина
Двигун не запускається або важко запускається	Система запалювання	Є іскра запалювання	Несправність системи постачання пального або компресії, механічний дефект
		Немає іскри запалювання	Було натиснуто на перемикач запуску/зупинення, несправність проводки або коротке замикання, несправність свічки запалювання або конектора, несправність блока запалювання
	Постачання пального	Паливний бак заповнений	Неправильне положення дросельної заслінки, несправність карбюратора, зігнута або заблокована лінія постачання пального, забруднене пальне
	Компресія	Немає компресії під час запуску	Пошкоджений нижній сальник циліндра, пошкоджене ущільнення колінчатого валу, несправність циліндра чи поршневих кілець або ненадійне ущільнення свічки запалювання
Проблеми теплового запуску	Механічна несправність	Стартер не вмикається	Зламана пружина стартера, зламані деталі всередині двигуна
		Бак заповнений Є іскра запалювання	Засмічений карбюратор, його слід почистити
Двигун запускається, але відразу ж зупиняється	Постачання пального	Бак заповнений	Неправильне налаштування холостого ходу, карбюратор засмічений Несправність повітряного клапана паливного баку, перервана лінія постачання пального, несправність кабелю або перемикача запуску/зупинення
Недостатня продуктивність	Одночасне ураження декількох систем	Неналежний холостий хід двигуна	Забруднений повітряний фільтр, карбюратор, глушитель або вихлопний канал у циліндрі

Dziękujemy za zakup zewnętrznego sprzętu elektrycznego marki DOLMAR. Z przyjemnością polecamy Państwu produkt DOLMAR, będący owocem długiego programu rozwoju oraz wieloletniej wiedzy i doświadczenia. Uważnie przeczytać niniejszą broszurę, która w szczegółowy sposób opisuje funkcje urządzenia i jego doskonałe parametry techniczne. Umożliwi ona Państwu optymalne wykorzystanie produktu DOLMAR.



Spis treści	Strona
Symbole.....	30
Zasady bezpieczeństwa	31
Dane techniczne.....	34
Opis części	35
Montaż uchwytu.....	36
Montaż osłony	36
Montaż żyłkowej głowicy tnącej.....	36
Paliwo/uzupełnianie paliwa.....	37
Uruchamianie/wyłączanie.....	38
Żyłkowa głowica tnąca.....	40
Zalecenia dotyczące serwisowania	41
Przechowywanie.....	43

SYMBOLE

Podczas czytania niniejszej instrukcji obsługi można napotkać następujące symbole.

	Przeczytać niniejszą instrukcję obsługi i postępować zgodnie z ostrzeżeniami i zasadami bezpieczeństwa!		Nosić kask ochronny oraz odpowiednią ochronę oczu i słuchu.
	Zachować szczególną ostrożność!		Maksymalna dopuszczalna prędkość narzędzia
	Zabronione!		Paliwo (benzyna)
	Zachować odpowiednią odległość!		Ręczne uruchomienie silnika
	Niebezpieczeństwo zranienia przez wyrzucane przedmioty!		Wyłączanie awaryjne
	Zakaz palenia!		Pierwsza pomoc
	Nie używać otwartego płomienia!		ON/START
	Nosić rękawice ochronne!		OFF/STOP
	Nosić wytrzymałe obuwie robocze na podeszwie antypoślizgowej. Zaleca się noszenie obuwia ze stalowymi podnoskami!		Nie używać metalowych ostrzy.
	Nie pozwalać, aby w miejscu pracy przebywały jakiegokolwiek osoby lub zwierzęta!		

ZASADY BEZPIECZEŃSTWA

Zalecenia ogólne

- Przeczytać niniejszą instrukcję obsługi w celu zapoznania się z obsługą tego urządzenia. Użytkownicy posiadający niewystarczającą wiedzę w zakresie obsługi urządzenia stwarzają zagrożenie zarówno dla siebie samych, jak i dla innych osób.
- Zaleca się pożyczanie urządzenia tylko osobom, które posiadają odpowiednie doświadczenie w pracy z tego typu urządzeniami. Wraz z urządzeniem należy przekazać również instrukcję obsługi.
- Osoby używające urządzenia po raz pierwszy powinny poprosić sprzedawcę o podstawowe informacje, które pozwolą im się zapoznać z obsługą wykaszarki.
- Urządzenie nie może być obsługiwane przez dzieci i młodzież w wieku poniżej 18 lat. Osoby powyżej 16 roku życia mogą obsługiwać urządzenie do celów szkoleniowych, jednak pod nadzorem wykwalifikowanego instruktora.
- Korzystać z urządzenia przy zachowaniu szczególnej ostrożności i uwagi.
- Obsługiwać urządzenie będąc wyłącznie w dobrej kondycji fizycznej. Wszelkie czynności powinny być wykonywane spokojnie i ostrożnie. Użytkownik jest odpowiedzialny za bezpieczeństwo innych osób.
- Nie wolno używać urządzenia, będąc pod wpływem alkoholu lub narkotyków, gdy jest się zmęczonym lub chorym.
- Przepisy krajowe mogą ograniczać w pewnym zakresie użytkowanie urządzenia.

Przeznaczenie urządzenia

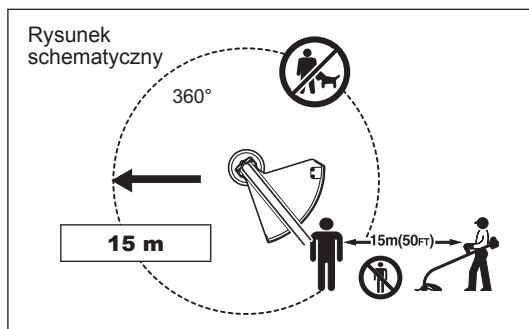
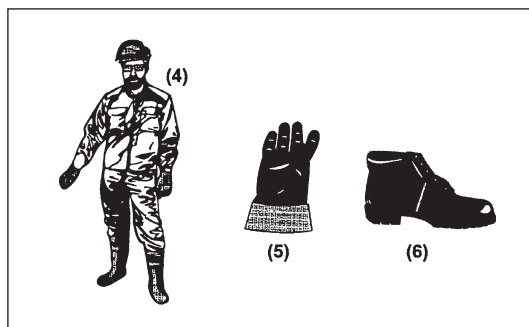
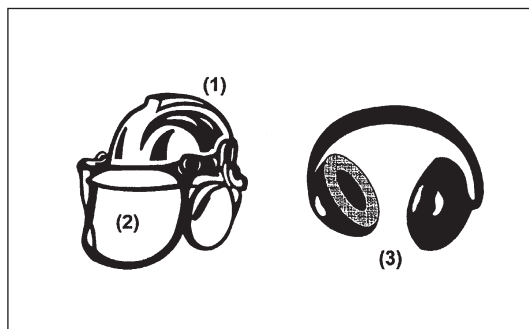
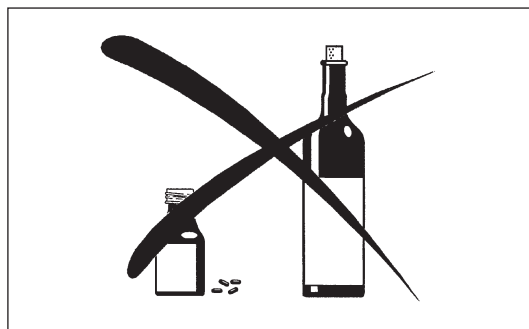
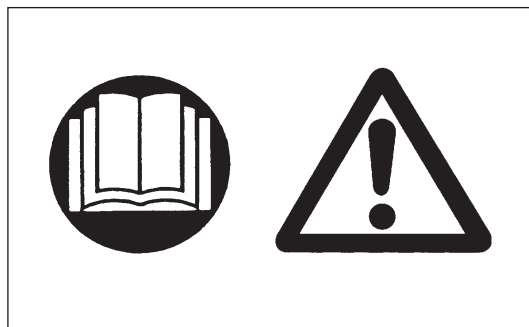
- Urządzenie jest przeznaczone wyłącznie do koszenia trawy i niewielkich chwastów. Nie należy go używać do żadnych innych celów, takich jak krawędziowanie lub przycinanie żywopłotu, ponieważ grozi to obrażeniami.

Sprzęt ochrony osobistej

- Odzież noszona podczas pracy powinna być funkcjonalna i odpowiednia, tzn. powinna przylegać do ciała, ale nie może krępować ruchów. Nie nosić biżuterii lub odzieży, która mogłaby się zaplątać w krzewy lub gałęzie.
- Aby uniknąć obrażeń głowy, oczu, dłoni lub stóp, jak również w celu ochrony słuchu, podczas pracy z urządzeniem należy używać następującego sprzętu ochrony osobistej.
- Jeżeli istnieje zagrożenie bezpieczeństwa przez spadające przedmioty, należy zawsze nosić kask ochronny. Kask ochronny (1) należy regularnie sprawdzać pod kątem ewentualnych uszkodzeń i wymieniać przynajmniej raz na 5 lat. Używać tylko atestowanych kasków ochronnych.
- Osłona twarzy (2) kasku (lub alternatywnie gogle) chronią twarz przed latającymi odpadami i kamieniami. Podczas obsługi urządzenia zawsze należy nosić okulary ochronne lub osłonę twarzy, aby zapobiec obrażeniom oczu.
- Stosować odpowiednie zabezpieczenie słuchu (nauszniki (3), zatyczki do uszu itp.).
- Kombinezon roboczy (4) chroni przed wyrzucanymi kamieniami i drobkami. Usilnie zalecamy użytkownikom noszenia kombinezonu roboczego podczas pracy z urządzeniem.
- Rękawice ochronne (5) stanowią część przepisowego sprzętu ochronnego i muszą być zawsze noszone podczas pracy z urządzeniem.
- Podczas pracy z urządzeniem należy zawsze nosić wytrzymałe obuwie (6) na podszewie antypoślizgowej. Chroni to stopy przed obrażeniami i umożliwia zachowanie dobrej postawy oraz równowagi.

Uruchamianie wykaszarki spalinowej

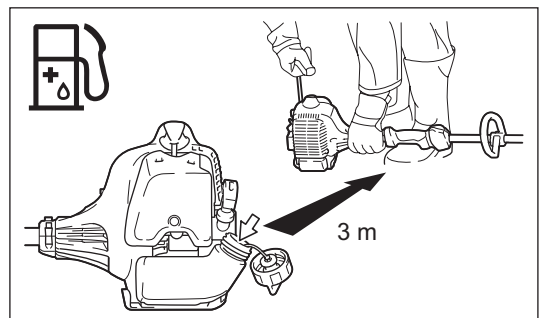
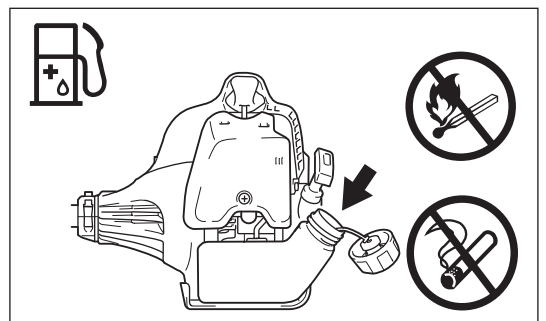
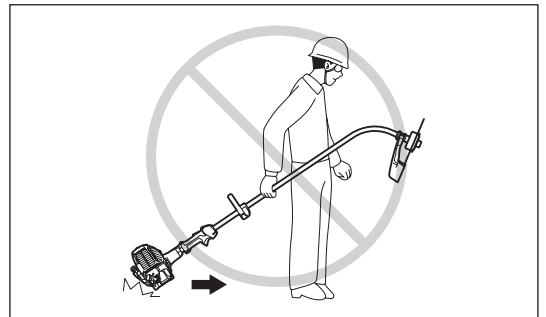
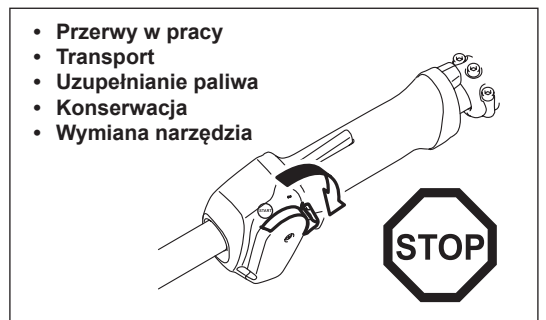
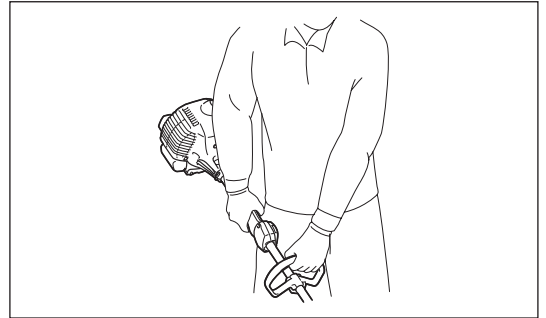
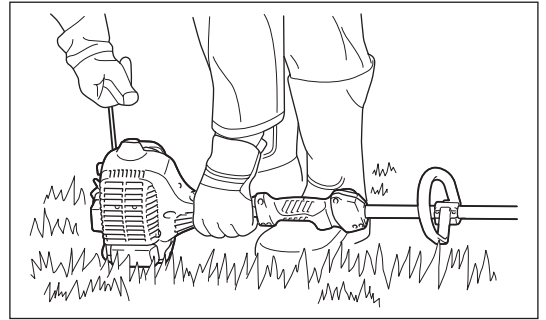
- Upewnić się, że w promieniu 15 metrów nie przebywają żadne dzieci lub inne osoby, jak również zwracać uwagę, czy w pobliżu miejsca pracy nie ma żadnych zwierząt.
- Przed użyciem zawsze należy sprawdzić, czy uruchomienie urządzenia jest bezpieczne. Sprawdzić bezpieczeństwo narzędzia tnącego, płynną pracę dźwigni przepustnicy oraz prawidłowe działanie blokady dźwigni przepustnicy.
- Podczas pracy na biegu jałowym narzędzie tnące nie może się obracać. W razie wątpliwości zwrócić się do sprzedawcy w celu wyregulowania urządzenia. Sprawdzić, czy uchwyty są czyste i suche oraz przetestować działanie przelącznika start/stop.



- Wykaszarkę spalinową należy uruchamiać tylko zgodnie z instrukcją obsługi.
- Nie stosować żadnej innej metody w celu uruchomienia silnika!
- Używać wykaszarki spalinowej oraz narzędzi tylko zgodnie z przeznaczeniem.
- Silnik można uruchomić dopiero po zakończeniu montażu urządzenia. Korzystanie z urządzenia jest dozwolone dopiero po zamontowaniu wszystkich wymaganych akcesoriów!
- Przed uruchomieniem urządzenia należy upewnić się, że narzędzie tnące nie dotyka twardych przedmiotów, takich jak gałęzie, kamienie itp., ponieważ przy rozruchu zaczyna się obracać.
- W razie jakichkolwiek problemów z silnikiem należy natychmiast go wyłączyć.
- W przypadku uderzenia narzędzia tnącego o kamień lub inny twardy przedmiot należy natychmiast wyłączyć urządzenie i sprawdzić narzędzie tnące pod kątem ewentualnych uszkodzeń.
- Regularnie sprawdzać narzędzie tnące pod kątem uszkodzeń (wykrywanie pęknięć na podstawie odgłosów podczas stukania w narzędzie).
- W przypadku silnego uderzenia przyrzędem lub jego upadku, sprawdzić stan przyrzędu przed ponownym przystąpieniem do kontynuowania pracy. Sprawdzić układ paliwowy pod kątem szczelności oraz elementy sterujące i urządzenia zabezpieczające pod kątem prawidłowego działania. W przypadku stwierdzenia uszkodzenia lub wątpliwości, co do prawidłowej pracy przyrzędu, należy zwrócić się do autoryzowanego centrum serwisowego w celu przeprowadzenia przeglądu i naprawy.
- Podczas pracy należy zawsze trzymać wykaszarkę spalinową dwiema rękami. Podczas pracy nigdy nie trzymać wykaszarki spalinowej jedną ręką. Zawsze należy pamiętać o zachowaniu prawidłowej postawy i równowagi.
- Urządzenie należy obsługiwać w taki sposób, aby unikać wdychania spalin. Nigdy nie uruchamiać silnika w pomieszczeniu zamkniętym (ryzyko zatrucia gazem). Tlenek węgla jest gazem bezwonnym.
- Podczas przerw w pracy lub w przypadku pozostawiania urządzenia bez nadzoru, należy wyłączyć silnik i odłożyć urządzenie w bezpieczne miejsce tak, aby nie zagrażało bezpieczeństwu innych osób i nie było narażone na uszkodzenie.
- Nigdy nie kłaść rozgrzanej wykaszarki spalinowej na suchej trawie lub jakimkolwiek innym materiale łatwopalnym.
- Przed uruchomieniem silnika należy zawsze zamontować w pierwszej kolejności osłonę narzędzia tnącego na przyrzędzie. W przeciwnym razie kontakt z narzędziem tnącym może prowadzić do powstania poważnych obrażeń.
- Wszystkie zabezpieczenia i osłony dostarczone wraz z urządzeniem muszą być używane podczas pracy.
- Nigdy nie używać urządzenia z uszkodzonym tłumikiem wydechowym.
- Wyłączać silnik na czas transportu.
- Podczas transportu samochodem należy zawsze zapewnić bezpieczną pozycję urządzenia, aby uniknąć wycieku paliwa.
- Podczas transportu urządzenia należy się upewnić, że zbiornik paliwa jest całkowicie opróżniony.
- Podczas rozładowywania urządzenia z samochodu uważać, aby nie upuścić go. Może to doprowadzić do poważnego uszkodzenia zbiornika paliwa.
- Oprócz wyjątkowych przypadków, nie wolno upuszczać ani rzucać narzędzia na podłogę, ponieważ grozi to jego poważnym uszkodzeniem.
- Podczas przenoszenia urządzenia należy je całkowicie podnieść z ziemi. Ciągnięcie zbiornika paliwa po podłożu jest niezwykle niebezpieczne i może spowodować jego uszkodzenie oraz wyciek paliwa, mogący doprowadzić do pożaru.

Tankowanie

- Przed tankowaniem należy wyłączyć silnik; nie zbliżać się do otwartego ognia i nie palić tytoniu.
- Unikać kontaktu skóry z produktami zawierającymi oleje mineralne. Nie wdychać oparów paliwa. Podczas uzupełniania paliwa zawsze nosić rękawice ochronne. Pamiętać o regularnej zmianie i praniu odzieży ochronnej.
- Aby zapobiec skażeniu gleby (ochrona środowiska), nie dopuszczać do rozlania paliwa lub oleju. W przypadku rozlania paliwa natychmiast wyczyścić wykaszarkę spalinową.
- Unikać kontaktu paliwa z odzieżą. W przypadku rozlania paliwa na odzież należy się natychmiast przebrać (aby zapobiec zapaleniu się odzieży).
- Regularnie sprawdzać korek wlewu i upewnić się, że można go dokładnie dokręcić i że jest całkowicie szczelny.
- Starannie dokręcić korek wlewu paliwa. Przed uruchomieniem silnika zmienić miejsce (min. 3 metry od miejsca tankowania).
- Nigdy nie napełniać zbiornika paliwem w pomieszczeniach zamkniętych. Opary paliwa gromadzą się na poziomie podłoża (ryzyko wybuchu).
- Paliwo można transportować i przechowywać tylko w atestowanych kanistrach. Upewnić się, że paliwo jest przechowywane w miejscu niedostępnym dla dzieci.



Metoda pracy

- Używać urządzenia tylko przy dobrym oświetleniu i widoczności. Zimą należy uważać na śliskim lub mokrym terenie, jak również na lodzie i śniegu (ryzyko poślizgnięcia). Zawsze należy pamiętać o zachowaniu prawidłowej postawy i równowagi.
- Nie wolno kosić powyżej poziomu pasa.
- Nie wolno stawać na drabinie.
- Nie wolno wspinać się na drzewa w celu koszenia.
- Nie pracować na niestabilnym podłożu.
- Obszar roboczy należy oczyścić z piasku, kamieni, gwoździ itp.
- Przed rozpoczęciem koszenia narzędzie tnące musi osiągnąć pełne obroty.
- Poruszać równomiernie wykaszkarką spalinową ruchem wahadłowym.
W przypadku zablokowania się trawy lub gałęzi pomiędzy narzędziem tnącym a osłoną, należy zawsze przed ich usunięciem zatrzymać silnik. W przeciwnym razie przypadkowy obrót narzędzia może przyczynić się do powstania poważnych obrażeń.
- Stosować przerwy podczas pracy z przyrządem, aby zapobiec utracie kontroli w wyniku zmęczenia. Zaleca się 10-20 minutową przerwę po każdej przepracowanej godzinie.

Narzędzia tnące

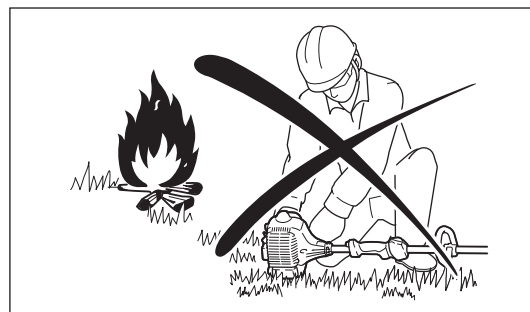
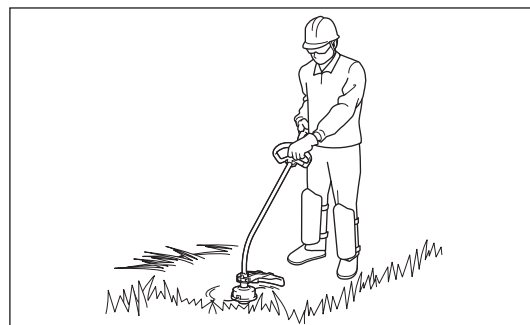
- Nigdy nie używać metalowych ostrzy zawierających metalowe wieloczęściowe łańcuchy obrotowe lub noże bijakowe. W przeciwnym razie istnieje niebezpieczeństwo powstania poważnych obrażeń.

Drgania

- U osób z problemami krążeniowymi, które są narażone na działanie zbyt intensywnych drgań, może dochodzić do uszkodzenia naczyń krwionośnych lub układu nerwowego. Drgania mogą wywoływać poniższe objawy w palcach, rękach lub nadgarstkach: „zasypanie” (drętwienie), mrowienie, bóle, wrażenie kłucia, zmiany w zabarwieniu skóry lub zmiany na skórze. W razie wystąpienia dowolnego z powyższych objawów, należy zgłosić się do lekarza.
- W celu zmniejszenia ryzyka wystąpienia „choroby białych palców” należy zapobiegać wyziębieniu dłoni oraz zapewnić prawidłowy stan przyrządu i wyposażenia dodatkowego.

Instrukcja konserwacji

- Aby przyrząd podlegał serwisowaniu przez nasze autoryzowane centrum serwisowe należy stosować wyłącznie oryginalne części zamienne. Nieprawidłowa naprawa i konserwacja mogą przyczynić się do skrócenia żywotności przyrządu oraz zwiększyć ryzyko wypadków.
- Przed rozpoczęciem pracy należy sprawdzić stan urządzenia, a zwłaszcza narzędzia tnącego i jego osłon.
- Przed przystąpieniem do wymiany narzędzi tnących bądź czyszczenia wykaszarki lub narzędzia tnącego należy wyłączyć silnik i zdjąć nasadki ze świec zapłonowych.
- Należy chronić środowisko naturalne. Unikać zbędnej pracy przepustnicy w celu zmniejszenia zanieczyszczenia środowiska i obniżenia poziomu hałasu. Wyregulować prawidłowo gaźnik.
- Regularnie czyścić urządzenie i sprawdzać, czy wszystkie śruby i nakrętki są prawidłowo dokręcone.
- Nigdy nie serwisować ani nie przechowywać urządzenia w pobliżu otwartego ognia.
- Zawsze przechowywać urządzenie w pomieszczeniach zamkniętych, z opróżnionym zbiornikiem paliwa.



Przestrzegać instrukcji dotyczących zapobiegania wypadkom, wydanych przez organizacje branżowe i firmy ubezpieczeniowe. Nie dokonywać żadnych modyfikacji urządzenia, ponieważ zagraża to bezpieczeństwu.

Zakres prac konserwacyjnych lub naprawczych wykonywanych przez użytkownika ograniczony jest do tych, które opisano w niniejszej instrukcji obsługi. Wszelkie pozostałe prace muszą być wykonywane przez autoryzowany serwis. Używać tylko oryginalnych części zamiennych i akcesoriów zalecanych i dostarczonych przez firmę DOLMAR.

Używanie niezalecanych akcesoriów i narzędzi oznacza zwiększone ryzyko wypadków.

Firma DOLMAR nie ponosi żadnej odpowiedzialności za wypadki lub szkody spowodowane używaniem niezalecanych narzędzi tnących i elementów mocujących do narzędzi tnących lub niezalecanych akcesoriów.

Pierwsza pomoc

Należy zadbać, aby w pobliżu miejsca, w którym wykonuje się prace, zawsze dostępna była apteczka pierwszej pomocy, z której można będzie skorzystać w razie wypadku. Wszelkie ubytki z apteczki należy niezwłocznie uzupełniać.

Wzywając karetkę należy podać następujące informacje:

- Miejsce wypadku
- Opis wydarzenia
- Liczbę osób, które odniosły obrażenia
- Rodzaje obrażeń
- Własne imię i nazwisko



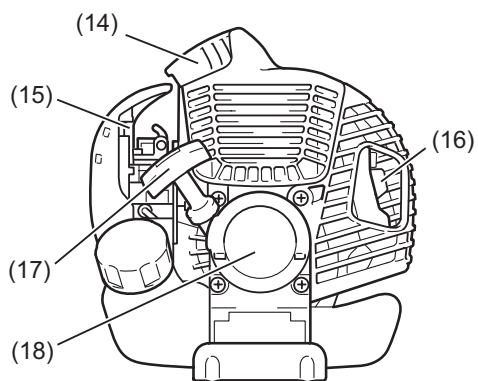
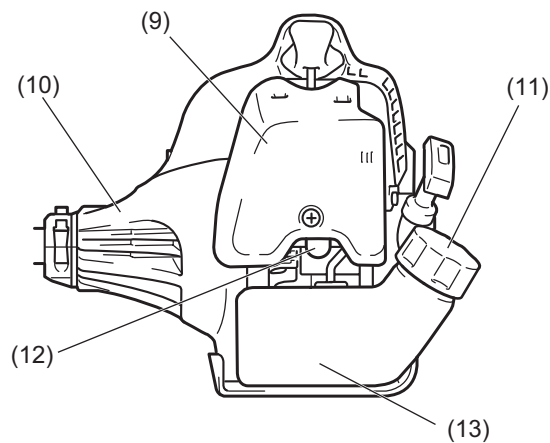
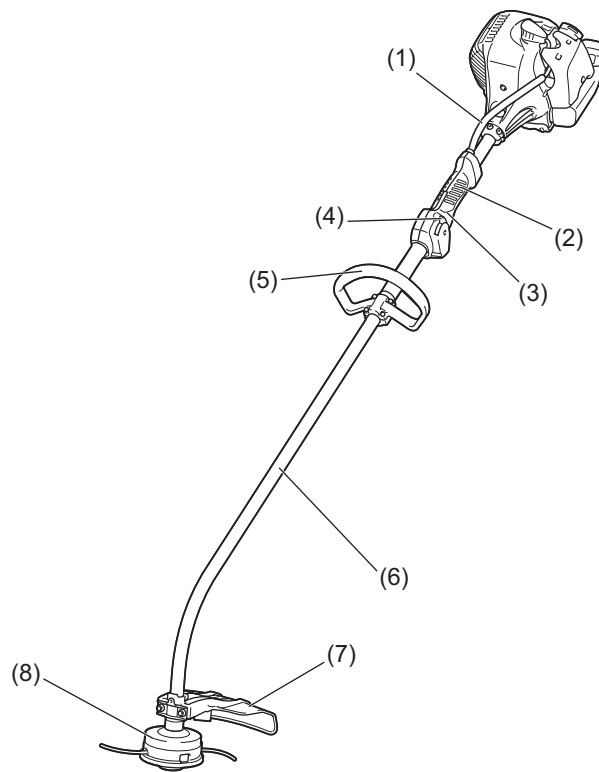
Dotyczy tylko krajów europejskich

Deklaracja zgodności WE

Deklaracja zgodności WE została dołączona jako załącznik A do niniejszej instrukcji obsługi.

DANE TECHNICZNE

Model		LT-27		
Rodzaj uchwytu		Uchwyt pałkowy		
Wymiary: długość x szerokość x wysokość (bez narzędzia tnącego)	mm	1 645 x 220 x 510		
Masa netto	kg	4,3		
Typ silnika		Jednocylindrowy, dwusuwowy, chłodzony powietrzem		
Pojemność skokowa silnika	cm ³	25,7		
Maksymalna moc silnika	kW	0,83		
Maksymalna częstotliwość obrotowa wrzeciona	min ⁻¹	10 000		
Średnica koszenia żyłkową głowicą tnącą	mm	φ 400		
Obroty na biegu jałowym	/min	3 000		
Prędkość włączania sprzęgła	/min	4 100		
Paliwo		Mieszanka benzyny Benzyna: olej do silników dwusuwowych = 50:1		
Pojemność (zbiornik paliwa)	l	0,6		
Gaźnik		WALBRO WYC		
Świeca zapłonowa		NGK BPMR7A		
Odstęp między elektrodami	mm	0,6-0,7		
Wibracje według ISO 22867	Uchwyt prawy (Rękojeść tylna)	$a_{hv\ eq}$	m/s ²	5,074
		Niepewność K	m/s ²	1,5
	Uchwyt lewy (Rękojeść przednia)	$a_{hv\ eq}$	m/s ²	3,853
		Niepewność K	m/s ²	1,5
Średni poziom ciśnienia akustycznego wg ISO 22868	$L_{PA\ eq}$	dB (A)	91,30	
	Niepewność K	dB (A)	0,85	
Średni poziom mocy akustycznej wg ISO 22868	$L_{WA\ eq}$	dB (A)	111,30	
	Niepewność K	dB (A)	0,85	



Nazwy części	
1	Linka sterująca
2	Rękojeść tylna
3	Dźwignia sterująca
4	Przełącznik Start-Stop
5	Uchwyt
6	Drażek
7	Ostona (ostona narzędzia tnącego)
8	Żyłkowa głowica tnąca
9	Pokrywa filtra powietrza
10	Obudowa sprzęgła
11	Korek zbiornika paliwa
12	Pompka zastrzykowa
13	Zbiornik paliwa
14	Świeca zapłonowa
15	Dźwignia ssania
16	Tłumik wydechowy
17	Uchwyt rozrusznika
18	Rozrusznik rewersyjny

MONTAŻ UCHWYTU

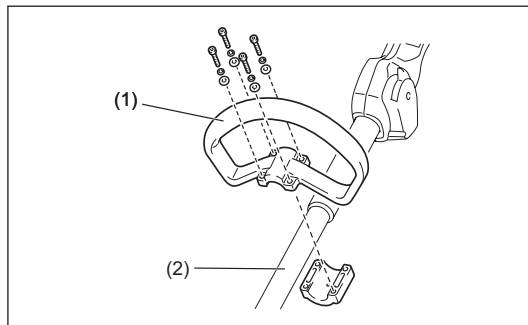
UWAGA: Przed przystąpieniem do jakiegokolwiek pracy przy urządzeniu, należy zawsze wyłączyć silnik i usunąć nasadkę świecy zapłonowej.
Zawsze nosić rękawice ochronne!

UWAGA: Silnik wolno uruchomić dopiero po całkowitym zmontowaniu narzędzia.

Modele z uchwytem pałkowym

- Zamocować uchwyt pałkowy (1) na drążku (2).
- Sprawdzić, czy przekładka zamontowana na drążku znajduje się pomiędzy dwoma rękojeściami. Nie demontować ani zwaćcać przekładki.

UWAGA: W niektórych krajach przekładka nie jest dostarczana wraz z narzędziem. W takim przypadku należy wyrównać uchwyt z dalszą stroną linii zaznaczonej za pomocą strzałek.



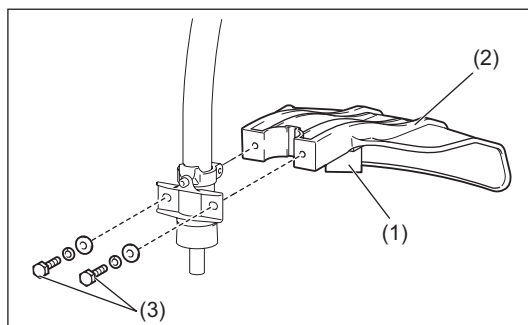
MONTAŻ OSŁONY

Zgodnie z obowiązującymi przepisami dotyczącymi bezpieczeństwa można stosować narzędzie wyłącznie z zamontowaną osłoną, jak podano w tabeli.

UWAGA: Nie dotykać obcinaka żyłki (1) znajdującego się na osłonie (2). Dotykanie obcinaka żyłki gołymi rękami może przyczynić się do powstania obrażeń ciała.

Montaż osłony jest konieczny w celu zapewnienia odpowiedniej długości żyłki nylonowej oraz zabezpieczenia operatora przed wyrzucanymi w powietrze kamieniami i odpadami. Przeprowadzić montaż osłony w następującej kolejności.

1. Ustawić osłonę w taki sposób, aby wypust na drążku pasował do rowka na osłonie.
2. Dokręcić dwie śruby (3).



MONTAŻ ŻYŁKOWEJ GŁOWICY TNĄCEJ

OSTRZEŻENIE: Nie używać metalowych ostrzy.

Należy stosować oryginalną żyłkową głowicę tnącą firmy DOLMAR.

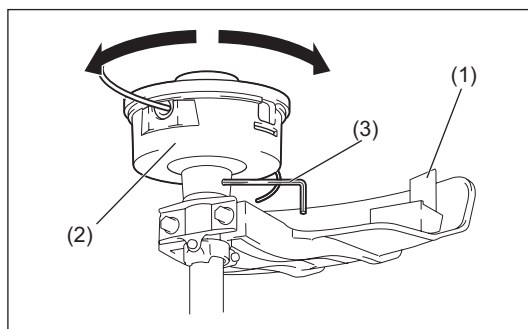
– W przypadku uderzenia żyłkowej głowicy tnącej o kamień podczas pracy należy niezwłocznie wyłączyć silnik i sprawdzić żyłkową głowicę tnącą pod kątem uszkodzeń.

UWAGA: Nie dotykać obcinaka żyłki (1) znajdującego się na osłonie. Dotykanie obcinaka żyłki gołymi rękami może przyczynić się do powstania obrażeń ciała.

Przeprowadzić montaż żyłkowej głowicy tnącej (2) w następującej kolejności.

1. Wsunąć klucz imbusowy (3) w otwór zacisku. Obrócić je, pchając klucz imbusowy w kierunku do środka, do momentu gdy zostaną one zablokowane.
2. Następnie dokręcić żyłkową głowicę tnącą na drążku, obracając ją w prawo. Upewnić się, że jest ona prawidłowo zamocowana.
3. Wyjąć klucz imbusowy.

W celu zdemontowania żyłkowej głowicy tnącej, obrócić ją w lewo.



Obchodzenie się z paliwem

Zachować maksymalną ostrożność w obchodzeniu się z paliwem. Paliwo może zawierać substancje podobne do rozpuszczalników. Tankować w pomieszczeniu o dobrej wentylacji lub na zewnątrz. Nie wdychać oparów paliwa, chronić skórę przed kontaktem z paliwem lub olejem.

Produkty na bazie oleju mineralnego odtłuszczają skórę. Dłuższy kontakt z niniejszymi produktami może spowodować nadmierne przesuszenie skóry, które może prowadzić do wielu różnych chorób skórnych. Mogą także wystąpić reakcje alergiczne.

Kontakt z olejem może również podrażnić oczy. W przypadku dostania się oleju do oczu natychmiast przemyć je obficie czystą wodą. Jeżeli oczy są nadal podrażnione, natychmiast zasięgnąć porady lekarza.



Przestrzegać zasad bezpieczeństwa podanych na stronie 31.

Mieszanka paliwa i oleju

Silnik wykasarki jest silnikiem dwusuwowym o dużej wydajności. Jest on zasilany mieszanką paliwa i oleju do silników dwusuwowych. Silnik jest przeznaczony do pracy ze zwykłą benzyną bezołowiową o liczbie oktanowej min. 91 RON.

Aby uzyskać optymalną wydajność silnika, a także chronić zdrowie i środowisko naturalne, należy używać tylko benzyny bezołowiowej!

Do smarowania silnika używać oleju do silników dwusuwowych (klasa jakości: JASO FC lub ISO EGD) do paliwa. Silnik jest przeznaczony do pracy z olejem zalecanym do silników dwusuwowych przy proporcji mieszanki wynoszącej 50:1, aby chronić środowisko naturalne.

Ponadto stosowanie powyższej proporcji mieszanki gwarantuje długi okres eksploatacji, dzięki niezawodnej pracy, oraz emisję na minimalnym poziomie. Jeśli proporcja mieszanki 50:1 nie jest przestrzegana, niezawodna praca wykasarki nie może zostać zagwarantowana (olej zalecany do silników dwusuwowych).



Prawidłowa proporcja mieszanki:

Benzyna: zalecany olej do silników dwusuwowych = 50 : 1 lub

Benzyna: olej innego producenta do silników dwusuwowych = 25 : 1 (zalecany)

UWAGA: Aby przygotować mieszankę paliwa i oleju, należy w pierwszej kolejności wymieszać całą ilość oleju z połową paliwa, a następnie dodać pozostałą ilość paliwa. Dokładnie wstrząsnąć mieszankę przed waniem jej do zbiornika wykasarki. W celu zapewnienia bezpiecznej pracy narzędzia nie dodawać większej ilości oleju niż zalecana. Spowoduje to jedynie powstanie większej ilości pozostałości spalania, które zanieczyszczą środowisko naturalne i zapychają kanał wydechowy w cylindrze, a także tłumik. Ponadto zużycie paliwa wzrośnie, a wydajność silnika ulegnie pogorszeniu.

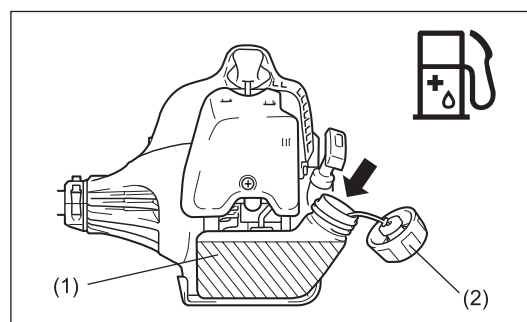


Benzyna	50:1	25:1
	+	
1 000 cm ³ (1 litr)	20 cm ³	40 cm ³
5 000 cm ³ (5 litrów)	100 cm ³	200 cm ³
10 000 cm ³ (10 litrów)	200 cm ³	400 cm ³

Uzupełnianie paliwa

Silnik musi być wyłączony.

- Dokładnie oczyścić miejsce wokół korka wlewu paliwa (2), aby zapobiec przedostaniu się zanieczyszczeń do zbiornika paliwa (1).
- Odkręcić korek wlewu paliwa (2) i napełnić zbiornik paliwem.
- Mocno dokręcić korek wlewu paliwa (2).
- Oczyścić dokręcony korek wlewu paliwa (2) i zbiornik paliwa po uzupełnieniu paliwa.



Przechowywanie paliwa

Paliwa nie można przechowywać przez nieograniczony okres.

Paliwo należy kupować tylko w takiej ilości, jaka wystarcza na 4 tygodnie pracy.

Stosować wyłącznie zatwierdzone kanistry.

URUCHAMIANIE/WYŁĄCZANIE

Przestrzegać stosownych przepisów dotyczących zapobiegania wypadkom.

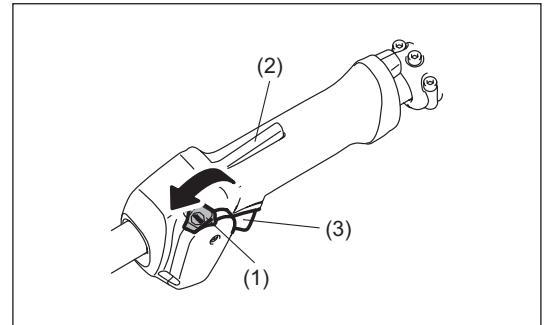
Uruchamianie

Oddalić się o co najmniej 3 m od miejsca, w którym narzędzie zostało napełnione paliwem. Umieścić wykasarkę na oczyszczonym, otwartym terenie tak, aby narzędzie tnące nie stykało się z podłożem ani z żadnym innym przedmiotem.

OSTRZEŻENIE: Zachować ostrożność, ponieważ narzędzie tnące po uruchomieniu silnika natychmiast zaczyna się obracać.

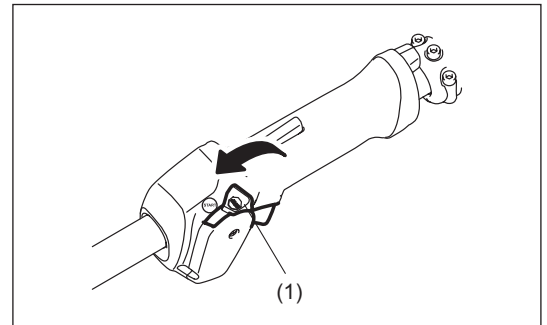
Rozruch na zimno

- Ustawić przełącznik Start-Stop (1) w położeniu start, jak pokazano na rysunku.
- Chwycić uchwyt (nacisk ręki powoduje aktywowanie dźwigni zabezpieczającej (2)).
- Nacisnąć dźwignię przepustnicy (3) i przytrzymać ją.
- Ustawić przełącznik Start-Stop (1) w położeniu start i zwolnić dźwignię sterującą, a następnie zwolnić przełącznik Start-Stop (przełącznik Start-Stop powoduje przytrzymanie dźwigni przepustnicy w położeniu rozruchu).

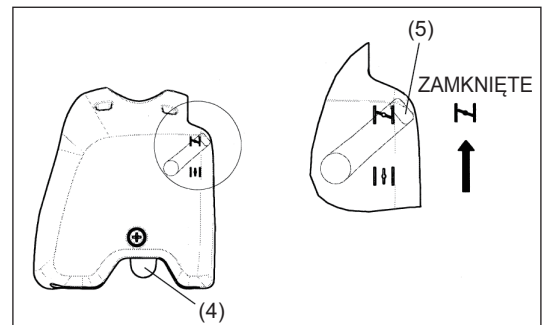


Rozruch na ciepło

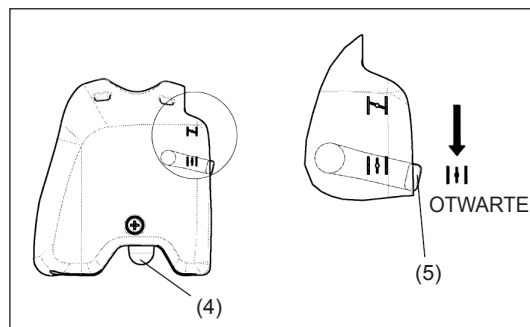
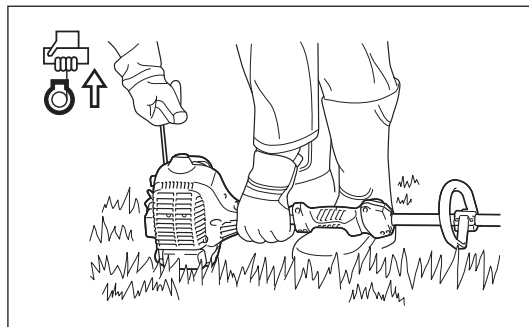
- Ustawić przełącznik Start-Stop (1) w położeniu neutralnym, jak pokazano na rysunku.



- W pierwszej kolejności należy ustawić narzędzie na ziemi.
- Lekko, kilkakrotnie nacisnąć pompkę zastrzykową (4) (7-10 razy), aż zostanie do niej doprowadzone paliwo.
- Zamknąć dźwignię ssania (5).
 - Otwieranie ssania:
 - Całkowite zamknięcie w przypadku niskiej temperatury lub gdy silnik jest zimny.
 - Do połowy lub całkowite otwarcie w przypadku uruchomienia przy rozgrzanym silniku.



- Chwycić mocno obudowę sprzęgła lewą ręką, jak pokazano na rysunku.
- Powoli pociągnąć uchwyt rozrusznika do oporu, a następnie gwałtownie ją pociągnąć.
- Nie naciągać linki rozrusznika do oporu ani nie dopuszczać, aby uchwyt rozrusznika nie cofnął się. Kontrolować linkę rozrusznika i zapewnić jej wolne cofnięcie się.
- Powtórzyć operację uruchamiania do momentu usłyszenia początkowego zapłonu silnika.
- Nacisnąć dźwignię ssania (5) (|↑|) i ponownie pociągnąć linkę rozrusznika, aż silnik uruchomi się.
- Po uruchomieniu silnika należy niezwłocznie nacisnąć i zwolnić przepustnicę, aby zwolnić blokadę przepustnicy w pozycji do połowy zamkniętej i umożliwić pracę silnika na biegu jałowym.
- Pozostawić silnik uruchomiony przez około jedną minutę na średnich obrotach przed całkowitym otwarciem przepustnicy.



- UWAGA:** – Jeżeli uchwyt rozrusznika zostanie wielokrotnie pociągnięty, gdy dźwignia ssania pozostaje w położeniu „|↑|”, wystąpią trudności z uruchomieniem silnika spowodowane nadmiernym zassaniem paliwa.
- W przypadku nadmiernego zassania paliwa należy usunąć świecę zapłonową i pociągnąć powoli uchwyt rozrusznika, aby usunąć nadmiar paliwa. Osuszyć również odcinek elektrody na świecy zapłonowej.

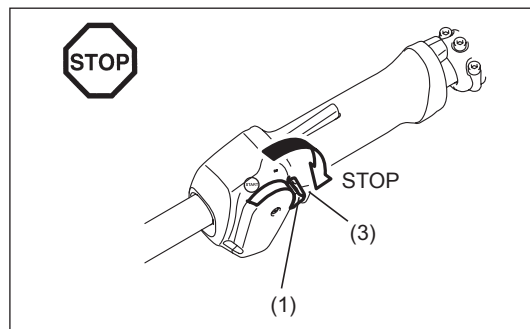
Środki ostrożności podczas tej czynności:

Jeśli dźwignia przepustnicy znajduje się w położeniu otwartym podczas pracy narzędzia bez obciążenia, prędkość obrotowa silnika wzrośnie do ponad 10 000 min⁻¹. Nigdy nie pracować z wyższą prędkością silnika, niż jest to konieczne, i zachować prędkość na poziomie około 6 000-8 000 min⁻¹.

- UWAGA:** Należy zawsze zredukować prędkość obrotową silnika, jeśli narzędzie nie jest w danym momencie używane przy pracy. Praca narzędzia z wysoką prędkością obrotową, w czasie gdy nie jest ono używane, spowoduje skrócenie żywotności narzędzia.

Wyłączenie

- Całkowicie zwolnić dźwignię przepustnicy (3), a po spadku prędkości obrotowej silnika ustawić przełącznik Start-Stop (1) w położeniu „STOP” – silnik zatrzyma się.
- Należy pamiętać, że głowica tnąca może się jeszcze przez chwilę obracać – odczekać, aż jej obroty zostaną zredukowane i całkowicie się zatrzyma.



ŻYŁKOWA GŁOWICA TNĄCA

Żyłkowa głowica tnąca to dwużyłkowa głowica podkaszająca, wyposażona w mechanizm wysuwający żyłkę po uderzeniu o podłoże.

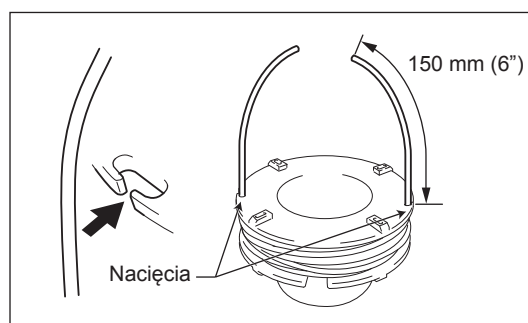
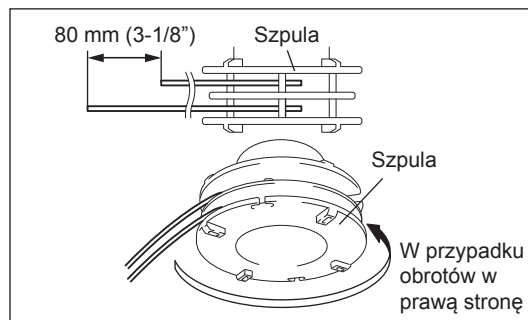
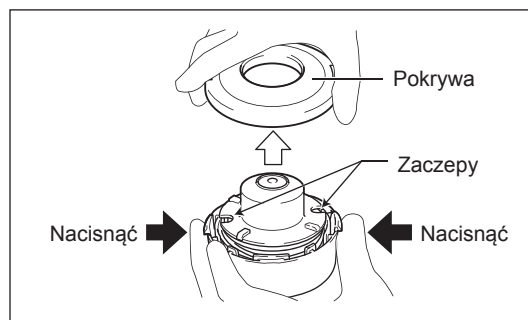
Żyłkowa głowica tnąca wysuwa żyłkę nylonową po uderzeniu głowicą podkaszającą o podłoże.

Obsługa

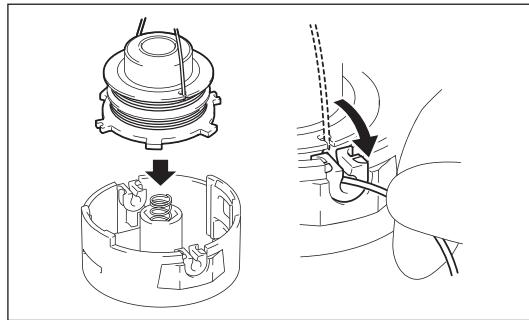
- Najefektywniejszy obszar koszenia pokazany został jako obszar zacieniony.
- Aby wysunąć żyłkę nylonową, należy zwiększyć prędkość żyłkowej głowicy tnącej do ok. 6 000 min⁻¹, a następnie lekko uderzyć żyłkową głowicą tnącą o podłoże.
- Jeżeli żyłkowa głowica tnąca nie wysuwa żyłki nylonowej, należy ponownie nawinąć/wymienić żyłkę nylonową zgodnie z procedurą opisaną w punkcie „Wymiana żyłki nylonowej”.

Wymiana żyłki nylonowej

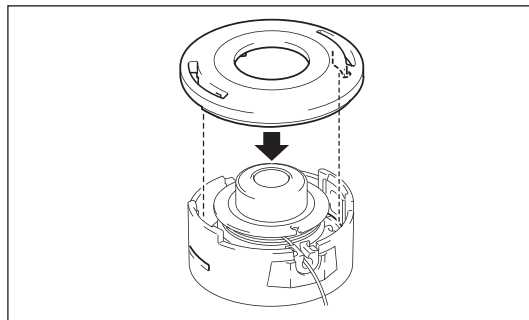
- Wyłączyć silnik.
- Nacisnąć zaczepy na obudowie, aby podnieść pokrywę i wyjąć szpulę.
- Zaczepić środek nowej żyłki nylonowej w nacięciu na środku szpuli tak, aby jeden koniec żyłki był dłuższy od drugiego o około 80 mm. Następnie nawinąć oba końce wokół szpuli w kierunku obrotów głowicy (symbol RH z boku szpuli oznacza obroty w prawo).
- Nawinąć całą żyłkę na szpulę, pozostawiając ok. 150 mm żyłki i zaczepiając tymczasowo końce w nacięciu z boku szpuli.



- Przełożyć oba końce żyłki przez otwory na zewnątrz obudowy. Zamontować podkładkę, sprężynę i szpulę w obudowie.



- Wyrównać zaczepy na pokrywie i obudowie. Następnie wcisnąć mocno pokrywę w obudowę w celu jej zamocowania.



ZALECENIA DOTYCZĄCE SERWISOWANIA

Zalecenia dotyczące serwisowania

UWAGA: Przed przystąpieniem do jakichkolwiek prac konserwacyjnych przy wykaszarce, należy zawsze wyłączyć silnik i usunąć nasadkę świecy zapłonowej (patrz punkt „Kontrola świecy zapłonowej”).
Zawsze nosić rękawice ochronne.

UWAGA: Nigdy nie wyjmować samemu rozrusznika rewersyjnego. Nieprzestrzeganie powyższego zalecenia może doprowadzić do wypadku. Procedurę tę powinien przeprowadzać wyłącznie autoryzowane centrum serwisowe.

W celu zapewnienia długiego okresu eksploatacji oraz w celu uniknięcia uszkodzenia narzędzia wszystkie prace konserwacyjne należy przeprowadzać regularnie.

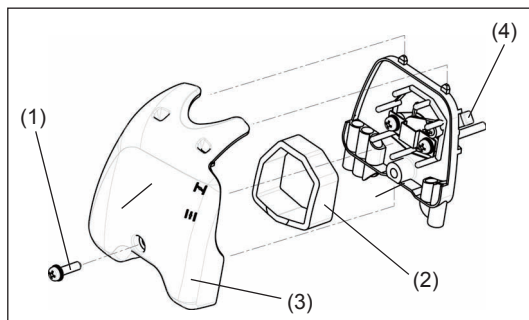
Codzienna kontrola i konserwacja

- Przed przystąpieniem do pracy sprawdzić narzędzie pod kątem poluzowanych wkrętów i brakujących części. Zwracać szczególną uwagę na dokręcenie ostrza tnącego lub żyłkowej głowicy tnącej.
- Przed przystąpieniem do pracy należy zawsze sprawdzić przewód powietrza chłodzącego oraz żeberka cylindra pod kątem zablokowania. W razie potrzeby oczyścić je.
- Po zakończeniu pracy z narzędziem wykonać każdorazowo następujące czynności:
 - Oczyszczyć z zewnątrz wykaszarkę i sprawdzić narzędzie pod kątem uszkodzeń.
 - Oczyszczyć filtr powietrza. Podczas pracy w warunkach dużego zapylenia należy czyścić filtr kilka razy dziennie.
 - Sprawdzić ostrze lub żyłkową głowicę tnącą pod kątem uszkodzeń i prawidłowego zamocowania.
 - Sprawdzić, czy jest zachowana wystarczająca różnica pomiędzy prędkością na biegu jałowym a prędkością roboczą, aby upewnić się, że narzędzie tnące nie obraca się, gdy silnik pracuje na biegu jałowym (w razie konieczności zmniejszyć obroty na biegu jałowym). Jeśli narzędzie tnące nadal obraca się podczas pracy silnika na biegu jałowym, należy skontaktować się z autoryzowanym przedstawicielem serwisu.
- Sprawdzić przełącznik Start-Stop, dźwignię zabezpieczającą, dźwignię sterującą i przycisk blokady pod kątem prawidłowego działania.

Czyszczenie filtra powietrza

- Obrócić dźwignię ssania (4) w położenie całkowicie zamknięte i zabezpieczyć gaźnik przed kurzem i zabrudzeniami.
- Odkręcić wkręt (1).
- Zdjąć pokrywę filtra powietrza (3).
- Wyjąć element (gąbkę) (2), umyć go w ciepłej wodzie i całkowicie osuszyć.
- Po oczyszczeniu założyć ponownie pokrywę filtra powietrza (3) i zamocować wkręt (1).

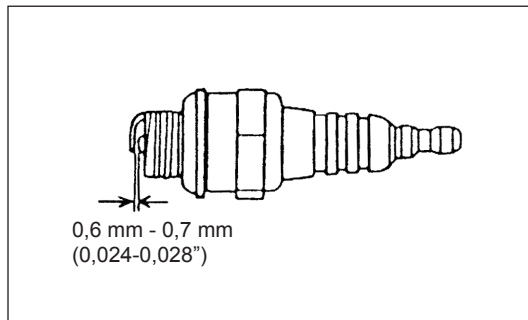
UWAGA: Jeśli filtr powietrza jest nadmiernie zabrudzony lub zakurzony, czyścić go codziennie. Zatkany filtr powietrza może utrudnić lub uniemożliwić uruchomienie silnika lub zwiększenie prędkości obrotowej silnika.



Kontrola świecy zapłonowej

- Do montażu i demontażu świecy zapłonowej należy używać tylko dostarczonego klucza uniwersalnego.
- Odstęp pomiędzy dwoma elektrodami świecy zapłonowej powinien wynosić 0,6-0,7 mm. Jeżeli odstęp jest zbyt duży lub zbyt mały, należy go wyregulować. Jeśli świeca zapłonowa jest pokryta nagarem lub zabrudzona, należy ją dokładnie oczyścić lub wymienić.

UWAGA: Nigdy nie dotykać nasadki świecy zapłonowej przy włączonym silniku (wysokie napięcie, ryzyko porażenia prądem).

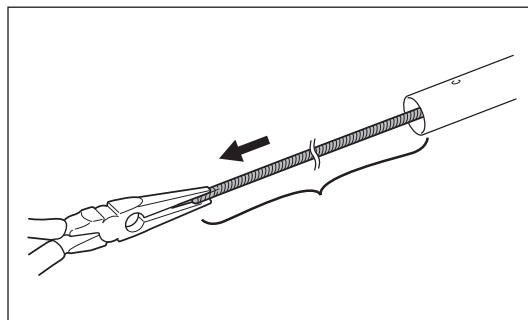
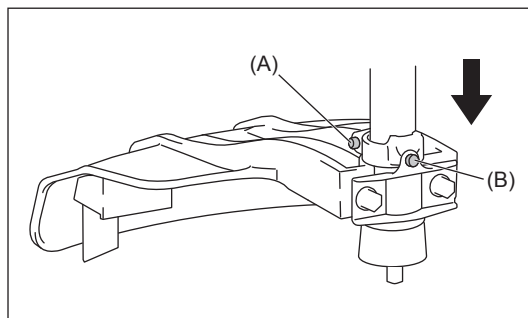


Smarowanie smarem drążka regulowanego

- Nasmarować smarem (Shell Alvania 2 lub zamiennik) drążek regulowany co każde 50 godzin pracy. (Oryginalny smar DOLMAR jest dostępny w punktach sprzedaży produktów DOLMAR).

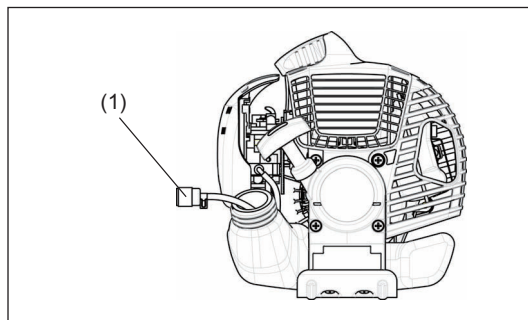
Aby nasmarować smarem, należy wykonać następującą procedurę:

1. Usunąć śrubę (A) i (B).
2. Usunąć głowicę z drążka.
3. Wyciągnąć ręcznie drążek regulowany i nasmarować smarem.



Głowica ssąca w zbiorniku paliwa

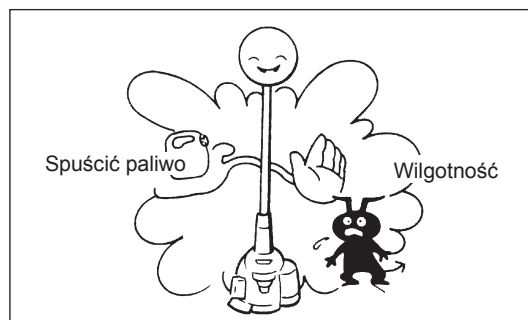
- Filtr paliwa (1) głowicy ssącej służy do dostarczania paliwa do gaźnika.
- Okresowo sprawdzać wzrokowo filtr paliwa. W tym celu należy odkręcić korek wlewu paliwa, użyć drucianego haka i wyciągnąć głowicę ssącą przez otwór zbiornika. Wymienić filtr na nowy, jeśli stwardniał, jest bardzo zanieczyszczony lub zablokowany.
- Niedostateczny dopływ paliwa może spowodować przekroczenie maksymalnej, dopuszczalnej prędkości. W związku z powyższym filtr paliwa należy wymieniać co najmniej raz na kwartał, aby zapewnić dostateczny dopływ paliwa do gaźnika.



Wszelkie prace konserwacyjne i regulacyjne niewymienione w niniejszej instrukcji obsługi mogą być wykonywane wyłącznie przez autoryzowane centrum serwisowe.

PRZECHOWYWANIE

- W przypadku przechowywania narzędzia przez dłuższy okres należy spuścić całkowicie paliwo ze zbiornika paliwa i gaźnika. Aby wykonać tę czynność, należy po prostu spuścić całe paliwo ze zbiornika paliwa. Zutyliżować spuszczone paliwo zgodnie z lokalnymi przepisami.
- Usunąć świecę zapłonową i dodać kilka kropel oleju do otworu świecy zapłonowej. Następnie pociągnąć lekko rozrusznik, aby wewnątrz silnika pokryło się cienką warstwą oleju, a następnie dokręcić świecę zapłonową.
- Oczyszczyć wszelkie zanieczyszczenia i kurz z ostrza tnącego oraz z obudowy silnika i przetrzeć je szmatką nasączoną olejem. Narzędzie należy przechowywać w suchym miejscu.



Harmonogram konserwacji

Konserwacja ogólna	Zespół silnika, wkręty i nakrętki	Kontrola wzrokowa pod kątem uszkodzeń i dokręcenia Sprawdzić stan ogólny i bezpieczeństwo
Po każdym uzupełnieniu paliwa	Dźwignia sterująca Przełącznik Start-Stop	Kontrola działania Kontrola działania
Codziennie	Filtr powietrza Przewód powietrza chłodzącego Narzędzie tnące Obroty na biegu jałowym	Oczyszczyć Oczyszczyć Sprawdzić pod kątem uszkodzeń i naostrzenia Kontrola (narzędzie tnące nie może się poruszać)
Co tydzień	Świeca zapłonowa Tłumik	Kontrola, w razie potrzeby wymień Sprawdzić i w razie potrzeby oczyścić otwór
Co kwartał	Głowica ssąca Zbiornik paliwa	Wymień Oczyszczyć
Procedura wyłączania	Zbiornik paliwa Gaźnik	Opróżnić zbiornik paliwa Uruchomić do czasu, aż silnik zużyje całe paliwo

Rozwiązywanie problemów

Usterka	Układ	Objaw	Przyczyna
Silnik nie uruchamia się lub występują trudności z jego uruchomieniem	Układ zapłonowy	Prawidłowa iskra zapłonowa	Nieprawidłowe działanie układu paliwowego, układu sprężania, usterka mechaniczna
		Brak iskry zapłonowej	Zadziałał przełącznik Start-Stop, usterka okablowania lub zwarcie, wadliwa świeca zapłonowa lub nasadka, niesprawny moduł zapłonu
	Doprowadzanie paliwa	Zbiornik paliwa napełniony	Nieprawidłowa pozycja ssania, uszkodzony gaźnik, zgięty lub zatkany przewód paliwowy, zanieczyszczone paliwo
	Sprężanie	Brak sprężania podczas ciągnięcia	Wadliwa dolna uszczelka cylindra, uszkodzone uszczelki wału korbowego, wadliwe pierścienie cylindra lub tłoka, nieprawidłowe uszczelnienie świecy zapłonowej
Trudności podczas rozruchu silnika na ciepło	Usterka mechaniczna	Rozrusznik nie włącza się	Pęknięta sprężyna rozrusznika, uszkodzone części wewnątrz silnika
		Zbiornik napełniony. Prawidłowa iskra zapłonowa	Zanieczyszczony gaźnik; zlecić jego oczyszczenie
Silnik uruchamia się, ale natychmiast gaśnie	Doprowadzanie paliwa	Zbiornik napełniony	Nieprawidłowa regulacja biegu jałowego, zanieczyszczony gaźnik Wadliwe odpowietrzanie zbiornika paliwa, przerwany przewód paliwowy, wadliwy przewód lub przełącznik Start-Stop
Niewystarczająca moc	Może być to spowodowane przez równoczesną awarię kilku układów	Nieprawidłowa praca silnika na biegu jałowym	Zabrudzony filtr powietrza, zanieczyszczony gaźnik, niedrożny tłumik, niedrożny kanał wylotowy cylindra

Vă mulțumim foarte mult pentru achiziționarea echipamentului electric pentru uz extern DOLMAR. Suntem încântați să vă recomandăm produsul DOLMAR care este rezultatul unui program îndelungat de dezvoltare și al multor ani de cunoștințe și experiență.

Vă rugăm să citiți această broșură care se referă în detaliu la diferitele aspecte care vor demonstra performanța extraordinară a motocositoarei. Acesta vă va ajuta să obțineți cele mai bune rezultate de la produsul DOLMAR.



Cuprins	Pagina
Simboluri.....	44
Instrucțiuni de siguranță	45
Date tehnice	48
Denumirea pieselor	49
Montarea mânerului.....	50
Montarea apărătorii	50
Montarea capului de tăiere cu nylon.....	50
Carburant/alimentare.....	51
Pornirea/oprirea.....	52
Cap de tăiere cu nylon.....	54
Instrucțiuni de service.....	55
Depozitare	57

SIMBOLURI

Veți observa următoarele simboluri atunci când citiți manualul de instrucțiuni.

	Citiți manualul de instrucțiuni și respectați avertizările și măsurile de precauție privind siguranța!		Purtați cască de protecție și sisteme de protecție pentru ochi și urechi.
	Acordați grijă și atenție specială!		Turație maximă permisă a dispozitivului
	Interzis!		Carburant (Benzină)
	Păstrați distanța!		Pornire manuală motor
	Pericol de obiecte proiectate!		Oprire de urgență
	Nu fumați!		Primul ajutor
	Focul interzis!		PORNIT/START
	Trebuie purtate mănuși de protecție!		OPRIT/STOP
	Purtați cizme robuste cu talpă antiderapantă. Sunt recomandate cizmele de siguranță cu bombeuri din oțel!		Nu utilizați niciodată lame metalice
	Interziceți accesul tuturor persoanelor și animalelor de companie în zona de operare!		

INSTRUCȚIUNI DE SIGURANȚĂ

Instrucțiuni generale

- Citiți acest manual de instrucțiuni pentru a vă familiariza cu manipularea echipamentului. Utilizatorii insuficient informați se pun în pericol atât pe ei, cât și pe alții, din cauza manipulării greșite a echipamentului.
- Este recomandat să împrumutați echipamentul doar persoanelor care dovedesc experiență în utilizarea acestuia.
Înmânați întotdeauna și manualul de instrucțiuni.
- Primii utilizatori trebuie să solicite distribuitorului instrucțiunile de bază pentru a se familiariza cu manipularea motocositorilor cu fir.
- Nu trebuie permisă operarea echipamentului de către copii și tineri sub 18 ani. Persoanele peste 16 ani pot totuși să utilizeze dispozitivul pentru a fi instruiți doar sub supravegherea unui instructor calificat.
- Utilizați echipamentul cu cea mai mare grijă și atenție.
- Operați echipamentul doar dacă sunteți într-o stare fizică bună. Executați fiecare lucrare cu calm și cu atenție. Utilizatorul trebuie să accepte că are răspunderi față de cei din jur.
- Este interzis să utilizați echipamentul după consumul de alcool sau medicamente, sau dacă sunteți obosit sau bolnav.
- Reglementările naționale pot restricționa utilizarea dispozitivului.

Domeniul de utilizare a mașinii

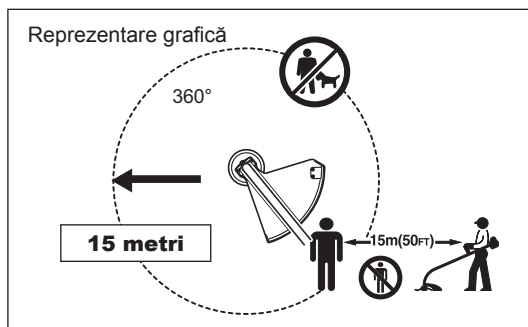
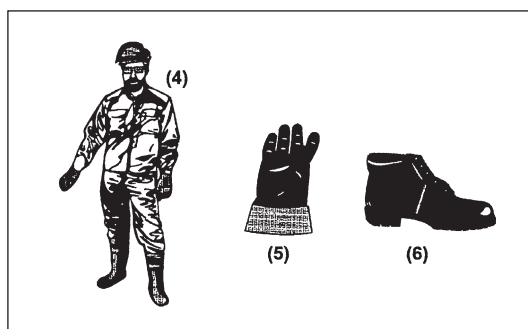
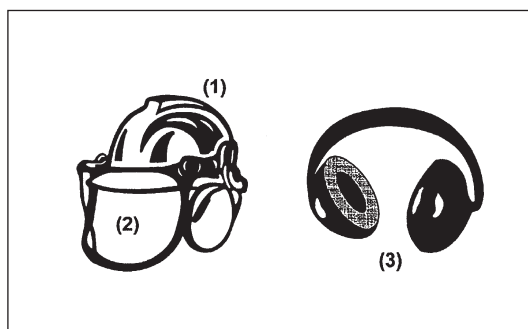
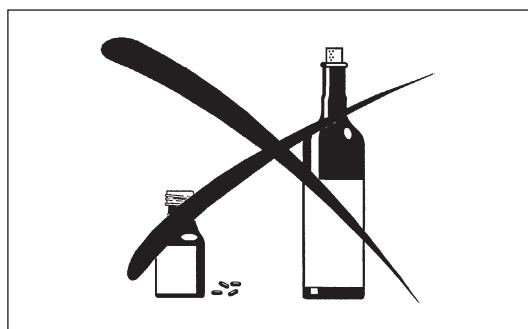
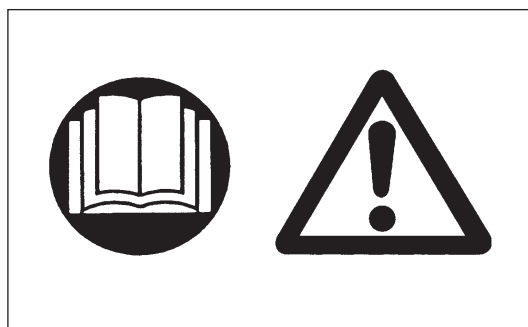
- Acest echipament este destinat doar tăierii ierbii și buruienilor ușoare. Nu trebuie utilizat în alte scopuri, cum ar fi tăierea șirurilor de tufișuri, deoarece pot apărea accidente.

Echiptament personal de protecție

- Îmbrăcămintea purtată trebuie să fie funcțională și adecvată, adică trebuie să fie bine ajustată dar să nu cauzeze disconfort. Nu purtați bijuterii sau haine care se pot agăța în tufișuri sau lăstăriș.
- Pentru a evita leziunile la cap, ochi, mâini sau picioare precum și pentru a vă proteja auzul, în timpul operării vor fi purtate următorul echipament de protecție și următoarea îmbrăcămintă de protecție.
- Purtați întotdeauna o cască acolo unde există riscul căderii de obiecte. Casca de protecție (1) trebuie verificată la intervale regulate pentru depistarea deteriorărilor și trebuie înlocuită după cel mult 5 ani. Utilizați numai căștile de siguranță omologate.
- Vizorul (2) al căștii (sau alternativ ochelarii de protecție) protejează fața de resturi și pietre proiectate. În timpul operării, purtați întotdeauna ochelari, sau un vizor pentru a preveni rănirea ochilor.
- Purtați echipament adecvat de protecție la zgomot, pentru a evita pierderea auzului (amortizoare pentru urechi (3), dopuri de urechi etc.).
- Salopeta de lucru (4) protejează împotriva pietrelor și a resturilor proiectate. Recomandăm insistent ca utilizatorul să poarte salopetă de lucru.
- Mănușile (5) sunt o parte a echipamentului recomandat și trebuie întotdeauna purtate în timpul operării.
- Atunci când folosiți echipamentul, purtați întotdeauna încălțăminte robustă (6) cu talpă antiderapantă. Această protejează împotriva rănilor și asigură un sprijin bun.

Pornirea motocositorii cu fir pe benzină

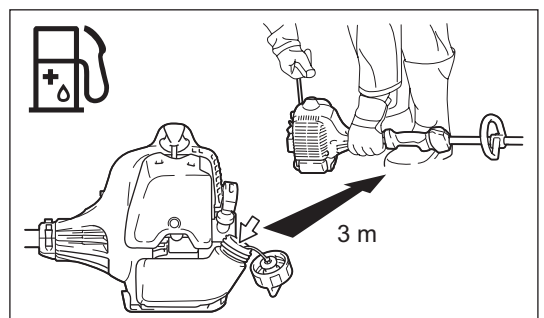
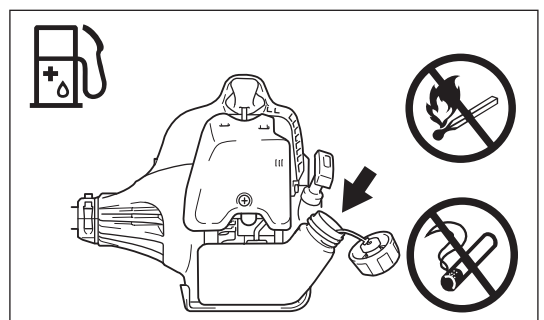
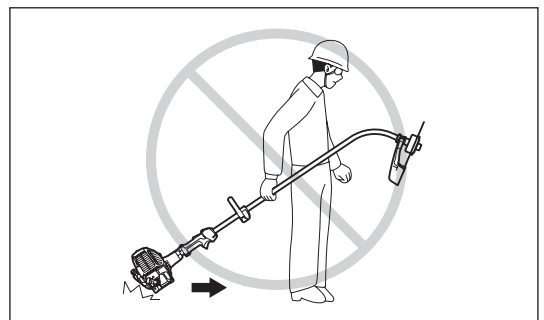
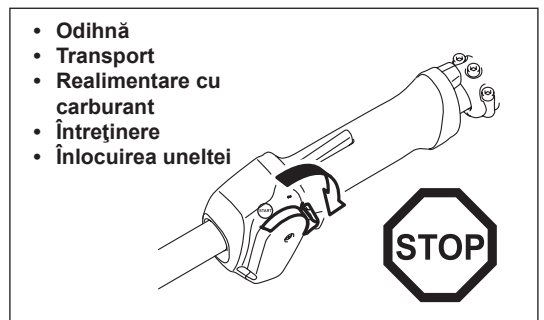
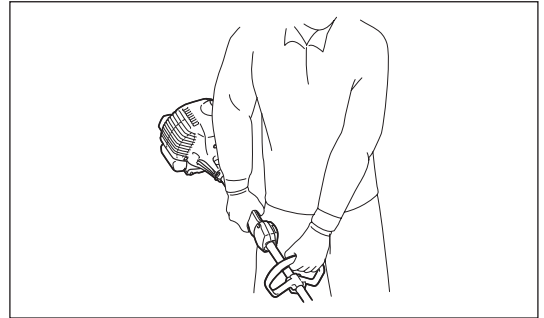
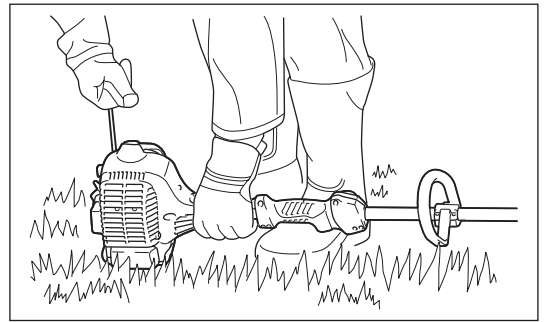
- Vă rugăm să vă asigurați că nu există copii sau alte persoane pe o rază de lucru de 15 metri (50 ft), de asemenea, acordați atenție oricărui animale din apropierea zonei de lucru.
- Înainte de utilizare, asigurați-vă că echipamentul poate fi operat în siguranță: Verificați siguranța accesoriului de tăiere, acționarea ușoară a manetei de accelerație și verificați funcționarea corectă a opritorului manetei de accelerație.
- Rotirea accesoriului de tăiere la turația de ralanti nu este permisă. Apelați la distribuitorul dumneavoastră pentru reglare, dacă aveți dubii. Verificați dacă mânerul este curat și uscat și testați funcționarea comutatorului de pornire/oprire.



- Porniți motocositoarea cu fir pe benzină doar conform instrucțiunilor.
- Nu utilizați alte metode pentru pornirea motorului!
- Utilizați motocositoarea cu fir pe benzină și sculele doar pentru aplicațiile specificate.
- Porniți motorul doar după montarea întregului ansamblu. Operarea dispozitivului este permisă doar după ce toate accesoriile adecvate sunt atașate!
- Înainte de pornire, asigurați-vă că accesoriul de tăiere nu intră în contact cu obiecte dure precum crengi, pietre etc., deoarece accesoriul de tăiere se va roti la pornire.
- Motorul va trebui oprit imediat în cazul apariției oricăror probleme.
- În cazul în care accesoriul de tăiere lovește pietre sau alte obiecte dure, opriți imediat motorul și inspectați accesoriul de tăiere.
- Inspectați eventuala deteriorare a accesoriului de tăiere la intervale regulate apropiate (detectarea fisurilor capilare cu ajutorul testul zgomotului la lovire ușoară).
- Dacă echipamentul suferă un impact puternic sau o cădere, verificați starea acestuia înainte de a continua lucrul. Verificați dacă sistemul de alimentare prezintă scurgeri și dacă dispozitivele de comandă și siguranță prezintă defecțiuni. Dacă există semne de deteriorări sau aveți dubii, contactați centrul nostru de service autorizat pentru inspecție și reparații.
- În timpul operării, țineți întotdeauna motocositoarea cu fir pe benzină cu ambele mâini. Este interzisă susținerea motocositorii cu fir pe benzină cu o singură mână în timpul utilizării. Asigurați întotdeauna o stabilitate corespunzătoare.
- Operați echipamentul astfel încât să evitați inhalarea gazelor de eșapament. Este interzis să porniți motorul în încăperi închise (risc de otrăvire cu gaze). Monoxidul de carbon este un gaz fără miros.
- Opriți motorul atunci când vă odihniți și atunci când lăsați echipamentul nesupravegheat și amplasați-l într-o locație sigură pentru a preveni punerea în pericol a altor persoane sau deteriorarea motocositorii.
- Este interzis să puneți motocositoarea cu fir pe benzină fierbinte pe iarbă uscată sau pe orice materiale combustibile.
- Instalați întotdeauna pe echipament apărătoarea aprobată pentru accesoriul de tăiere înainte de a porni motorul. În caz contrar, contactul cu accesoriul de tăiere poate cauza accidentări grave.
- Toate instalațiile de protecție și apărătoarele furnizate împreună cu motocositoarea trebuie utilizate în timpul operării.
- Este interzisă operarea motorului cu toba de eșapament defectă.
- Opriți motorul în timpul transportului.
- Asigurați poziția sigură a echipamentului în timpul transportului auto pentru a evita scurgerea de carburant.
- Atunci când transportați echipamentul, asigurați-vă că rezervorul de carburant este complet gol.
- Când descărcați echipamentul din camion, este interzisă scăparea motorului pe sol, deoarece aceasta poate deteriora grav rezervorul de carburant.
- Exceptând cazurile de urgență, evitați scăparea sau aruncarea echipamentului la sol, deoarece acest lucru ar putea duce la defectarea serioasă a acestuia.
- Amintiți-vă să ridicați tot echipamentul de la sol atunci când mutați echipamentul. Tragerea pe jos a rezervorului de carburant este foarte periculoasă și va cauza deteriorarea și scurgerea de carburant, putând cauza incendiul.

Realimentare cu carburant

- Opriți motorul în timpul realimentării, nu vă apropiați de foc deschis și nu fumați.
- Evitați contactul pielii cu produse pe bază de ulei mineral. Nu inhalați vapori de carburant. Purtați întotdeauna mănuși de protecție când realimentați. Schimbați și curățați îmbrăcămintea de protecție la intervale regulate.
- Aveți grijă să nu vărsați carburant sau ulei pentru a preveni contaminarea solului (protecția mediului). Curățați motocositoarea cu fir pe benzină imediat după ce carburantul a fost vărsat.
- Evitați orice contact al carburantului cu îmbrăcămintea dvs. Schimbați-vă hainele imediat dacă s-a vărsat carburant pe ele (pentru a preveni aprinderea hainelor).
- Inspectați bușonul de alimentare cu combustibil la intervale regulate, asigurându-vă că este bine fixat și nu prezintă scurgeri.
- Strângeți cu grijă bușonul rezervorului de combustibil. Schimbați locația pentru a porni motorul (cel puțin 3 metri distanță de locul realimentării cu carburant).
- Este interzis să realimentați cu carburant în încăperi închise. Vaporii de carburant se acumulează la nivelul solului (risc de explozie).
- Transportați și depozitați combustibilul doar în recipiente aprobate. Asigurați-vă că acest carburant depozitat nu este accesibil copiilor.



Metodă de operare

- Utilizați doar în condiții bune de lumină și vizibilitate. În timpul sezonului de iarnă, ferivi-vă de zonele alunecoase sau umede, de gheață și zăpadă (risc de alunecare). Asigurați întotdeauna un sprijin bun al picioarelor.
- Nu tăiați niciodată deasupra nivelului taliei.
- Nu stați niciodată pe o scară.
- Nu vă urcați în copaci pentru a efectua operația de tăiere.
- Nu lucrați niciodată pe suprafețe instabile.
- Îndepărtați nisipul, pietrele, cuiele etc. din zona de lucru.
- Înainte să începeți tăierea, accesoriul de tăiere trebuie să fi atins viteza maximă de lucru.
- Balansați uniform motocositoarea cu fir pe benzină.
În cazul în care iarbă sau crengi sunt prinse între accesoriul de tăiere și apărătoare, opriți întotdeauna motorul înainte de curățare. În caz contrar, rotirea accidentală a accesoriului poate cauza accidentări grave.
- Odihniți-vă pentru a preveni pierderea controlului din cauza oboselii. Vă recomandăm să luați o pauză de 10-20 de minute la fiecare oră.

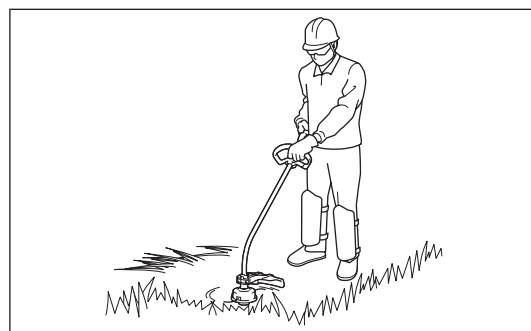


Accesoriile de tăiere

- Nu utilizați niciodată lame metalice, inclusive lanțuri rotative metalice din mai multe componente și lame de îmblăciu. În caz contrar, contactul cu lama poate cauza accidentări grave.

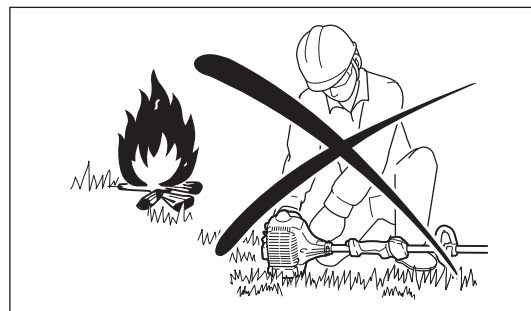
Vibrații

- Persoanele cu probleme circulatorii expuse la vibrații excesive pot suferi leziuni ale vaselor sanguine sau ale sistemului nervos. Vibrațiile pot provoca următoarele simptome la nivelul degetelor, mâinilor sau articulațiilor mâinilor: "Amorțeală" (insensibilitate), furnicături, durere, înțepături, modificarea culorii sau texturii pielii. Dacă apare oricare dintre aceste simptome, consultați un medic!
- Pentru a reduce riscul apariției "sindromului degetelor albe", păstrați-vă mâinile calde în timpul utilizării și întrețineți în mod corect echipamentul și accesoriile.



Instrucțiuni de întreținere

- Service-ul echipamentului trebuie efectuat la centrul nostru de service autorizat, folosind întotdeauna piese de schimb originale. Reparațiile incorecte sau o întreținere inadecvată pot scurta durata de viață a echipamentului și mări riscul accidentărilor.
- Starea echipamentului, în special a accesoriului de tăiere, a dispozitivelor de protecție trebuie verificată înainte de începerea lucrului.
- Opriți motorul și scoateți fișa bujiei atunci când înlocuiți accesoriile de tăiere și, de asemenea, când curățați lama de tăiere sau accesoriul de tăiere.
- Protejați mediul înconjurător. Evitați operarea inutilă a accelerației, pentru un nivel de poluare și emisii de zgomot reduse. Reglați carburatorul corespunzător.
- Curățați echipamentul la intervale regulate și verificați dacă toate șuruburile și piulițele sunt strânse bine.
- Este interzis să efectuați operații de service sau să depozitați echipamentul în apropierea focului deschis.
- Depozitați întotdeauna echipamentul în încăperi încuiate și cu rezervorul de carburant golit.



Respectați instrucțiunile relevante de prevenire a accidentelor emise de asociațiile profesionale în cauză și de companiile de asigurări. Nu efectuați nicio modificare a echipamentului, deoarece vă puteți periclită siguranța.

Efectuarea lucrărilor de întreținere sau reparație de către utilizator este limitată la acele activități descrise în manualul de instrucțiuni. Toate celelalte lucrări vor fi efectuate de un agent de service autorizat. Utilizați doar piese de schimb originale și accesorii fabricate și furnizate de DOLMAR. Utilizarea de accesorii și unelte neautorizate reprezintă un risc crescut de accidente. DOLMAR nu va accepta nicio responsabilitate pentru accidente sau daune cauzate de utilizarea unor accesorii de tăiere și de fixarea accesoriilor de tăiere sau a unor accesorii neomologate.

Primul ajutor

În caz de accident asigurați-vă că o trusă de prim ajutor este disponibilă în apropierea operațiilor de tăiere. Înlocuiți imediat orice element folosit din trusa de prim ajutor.

Când solicitați ajutor, oferiți următoarele informații:

- Locul accidentului
- Ce s-a întâmplat
- Numărul de persoane rănite
- Tipul leziunilor
- Numele dumneavoastră



Doar pentru țările europene

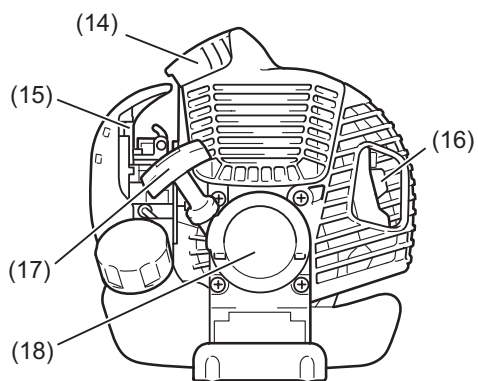
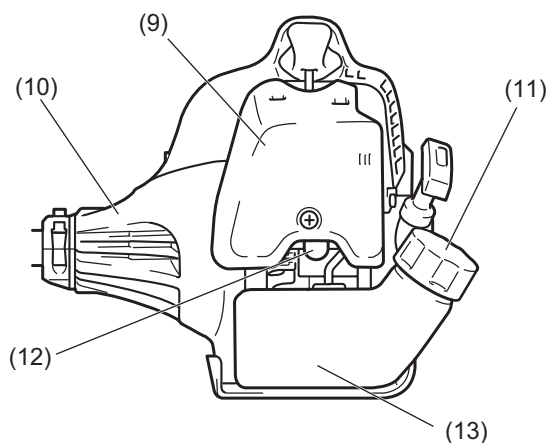
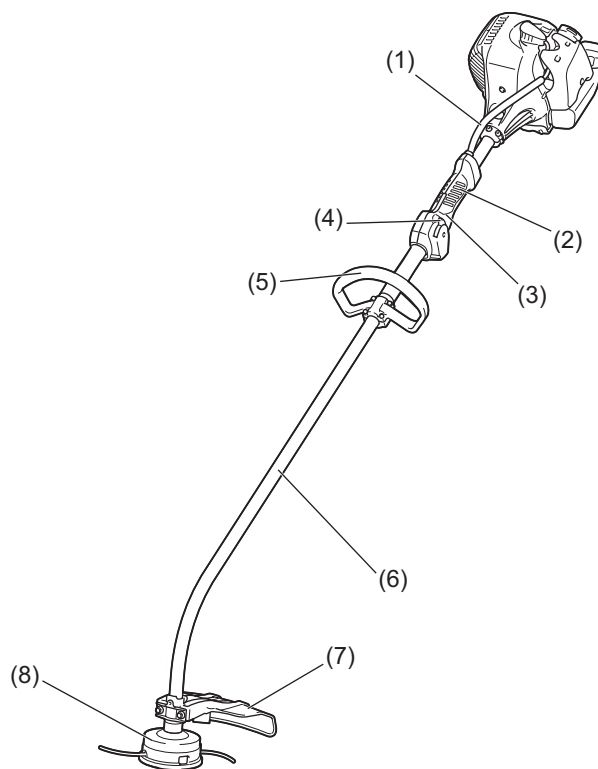
Declarație de conformitate CE

Declarația de conformitate CE este inclusă în Anexa A a acestui manual de instrucțiuni.

DATE TEHNICE

Model		LT-27		
Tip de mâner		Mâner cotit		
Dimensiuni: lungime x lățime x înălțime (fără dispozitiv de tăiere)	mm	1.645 x 220 x 510		
Greutate netă	kg	4,3		
Tip motor		Răcire cu aer, în 2 timpi, un singur cilindru		
Capacitate cilindrică motor	cm ³	25,7		
Performanțe maxime motor	kW	0,83		
Frecvența de rotație maximă a arborelui	min ⁻¹	10.000		
Diametru de tăiere cu cap de tăiere cu nylon	mm	φ 400		
Turație la ralanti	/min	3.000		
Turație de cuplare ambreiaj	/min	4.100		
Carburant		Gaz mixt Benzină: Ulei de motor în doi timpi = 50:1		
Volum (rezervor de carburant)	L	0,6		
Carburator		WALBRO WYC		
Bujie		NGK BPMR7A		
Distanța dintre electrozi		mm	0,6 - 0,7	
Nivel de vibrații per ISO 22867	Mâner dreapta (Prindere din spate)	$a_{hv\ eq}$	m/s ²	5,074
		Marjă de eroare K	m/s ²	1,5
	Mâner stânga (Prindere din față)	$a_{hv\ eq}$	m/s ²	3,853
		Marjă de eroare K	m/s ²	1,5
Medie nivel presiune acustică conform ISO 22868		$L_{PA\ eq}$	dB (A)	91,30
		Marjă de eroare K	dB (A)	0,85
Medie nivel putere acustică conform ISO 22868		$L_{WA\ eq}$	dB (A)	111,30
		Marjă de eroare K	dB (A)	0,85

DENUMIREA PIESELOR



Denumirea pieselor	
1	Cablu de control
2	Mâner de prindere posterior
3	Manetă de control
4	Comutator de pornire-oprire
5	Mâner
6	Arbore
7	Apărătoare (Apărătoare dispozitiv de tăiere)
8	Cap de tăiere cu nylon
9	Capac filtru de aer
10	Carcasă ambreiaj
11	Capac rezervor carburant
12	Pompă de pornire
13	Rezervor de carburant
14	Bujie
15	Manetă de șoc
16	Tobă de eșapament
17	Mâner demaror
18	Demaror cu rapel

MONTAREA MÂNERULUI

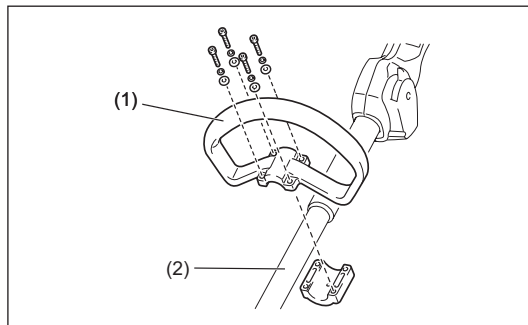
ATENȚIE: Înainte de a efectua orice lucrare asupra echipamentului, opriți întotdeauna motorul și scoateți fișa bujiei de la bujie. Purtați întotdeauna mănuși de protecție!

ATENȚIE: Porniți motorul doar după asamblarea corectă.

Pentru motocositori cu mâner cotit

- Fixați mânerul cotit (1) pe arbore (2).
- Asigurați-vă că distanțierul de pe conducta de arbore este localizat între ansamblul de mâner și celălalt mâner. Nu demontați și nu reduceți dimensiunea distanțierului.

NOTĂ: În unele țări, distanțierul nu este furnizat cu unele. În acest caz, aliniați mânerul la partea îndepărtată a liniei, care este indicată prin marcasele săgeți.



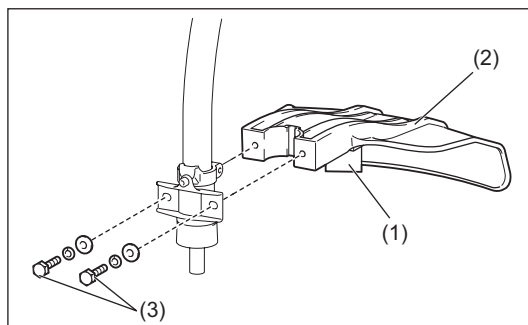
MONTAREA APĂRĂTORII

Pentru a respecta prevederile aplicabile privind siguranța, doar combinațiile unealtă/apărătoare indicate în tabel trebuie utilizate.

ATENȚIE: Nu atingeți lama de tăiere a firului (1) de pe apărătoare (2). Atingerea lamei de tăiere a firului cu mâinile goale poate duce la accidentări.

Apărătoarea trebuie montată pentru a se păstra lungimea firului capului de tăiere și pentru a proteja operatorul împotriva pietrelor și reziduurilor care pot fi proiectate. Montați apărătoarea urmând pașii de mai jos.

1. Poziționați apărătoarea astfel încât muchia de pe arbore să intre în canelura aflată pe apărătoare.
2. Strângeți șuruburile (3).



MONTAREA CAPULUI DE TĂIERE CU NYLON

AVERTISMENT: Nu utilizați niciodată lame de metal.

Asigurați-vă că utilizați doar un cap de tăiere cu nylon DOLMAR original.

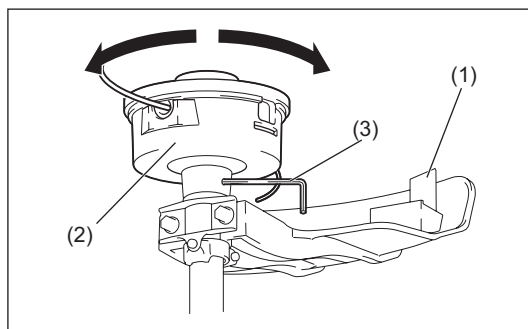
- În cazul în care capul de tăiere cu nylon lovește o piatră în timpul operării, opriți motorul și verificați imediat capul de tăiere cu nylon.

ATENȚIE: Nu atingeți lama de tăiere a firului (1) de pe apărătoare. Atingerea lamei de tăiere a firului cu mâinile goale poate duce la accidentări.

Montați capul de tăiere cu nylon (2) urmând pașii de mai jos.

1. Introduceți cheia de blocare (3) prin orificiul de pe clemă. Rotiți-le apăsând cheia de blocare, până când acestea sunt blocate.
2. Înșurubați capul de tăiere cu nylon pe arbore, rotindu-l în sensul acelor de ceasornic. Asigurați-vă că acesta este montat corect.
3. Scoateți cheia de blocare.

Pentru a demonta capul de tăiere cu nylon, rotiți-l în sens invers acelor de ceasornic.



Manipularea combustibilului

Este necesară o atenție maximă la manipularea combustibilului. Carburantul poate conține substanțe similare solvenților. Alimentați-vă în exterior, fie într-o zonă bine ventilată. Nu inhalați vapori de carburant și evitați contactul carburantului sau uleiului cu pielea dumneavoastră.

Produsele pe bază de uleiuri minerale degresează pielea. Contactul prelungit al pielii cu aceste produse va cauza uscarea accentuată a pielii dumneavoastră, putând rezulta diverse afecțiuni ale pielii. De asemenea, se pot produce reacții alergice.

Ochii pot fi iritați de la contactul cu uleiul. Dacă vă intră ulei în ochi, spălați-i imediat cu apă curată. Dacă ochii sunt în continuare iritați, consultați imediat un doctor.



Respectați instrucțiunile de siguranță de la pagina 45.

Amestec între carburant și ulei

Motorul motocicletei cu fir este un motor în doi timpi, de înaltă eficiență. Acesta funcționează cu un amestec de carburant și ulei de motor în doi timpi. Motorul este conceput pentru carburant normal fără plumb, cu o cifră octanică minimă de 91 RON.

Pentru obținerea unei performanțe optime a motorului și pentru a proteja sănătatea și mediul, utilizați doar carburant fără plumb!

Pentru lubrifierea motorului, folosiți un ulei de motor în doi timpi (grad calitate: JASO FC sau ISO EGD) adăugat în carburant. Motorul a fost proiectat să utilizeze uleiul de motor în doi timpi specificat, la un raport de amestec de 50:1, pentru protecția mediului.

Suplimentar, prin utilizarea acestui raport de amestec, sunt garantate o durată de viață lungă, însoțită de operare fiabilă și emisii minime. Funcționarea fiabilă a motocicletei cu fir nu poate fi garantată dacă nu este respectat acest raport de amestec de 50:1 (uleiul de motor în 2 timpi specificat).



Raport de amestec corect:

Benzină: Ulei de motor în doi timpi specificat = 50 : 1 sau

Benzină: Ulei de motor în doi timpi, de la alți producători = 25 : 1 recomandat

NOTĂ: Pentru pregătirea amestecului carburant-ulei, amestecați mai întâi întreaga cantitate de ulei cu jumătate din carburantul necesar, apoi adăugați restul de carburant. Scuturați bine amestecul înainte de a-l introduce în rezervorul motocicletei cu fir. Pentru a garanta o funcționare sigură, nu adăugați o cantitate de ulei de motor mai mare decât cea specificată. Acest lucru ar duce doar la o producție mai mare de reziduuri de combustie care vor polua mediul și vor înfunda canalul de evacuare în cilindru și în toba de eșapament. În plus, consumul de carburant va crește, iar performanța se va reduce.

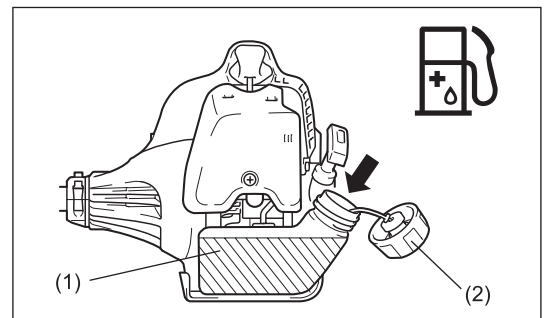


Benzină	50:1	25:1
	+	
1.000 cm ³ (1 litru)	20 cm ³	40 cm ³
5.000 cm ³ (5 litru)	100 cm ³	200 cm ³
10.000 cm ³ (10 litru)	200 cm ³	400 cm ³

Realimentare cu carburant

Motorul trebuie să fie oprit.

- Curățați temeinic zona din jurul bușonului rezervorului (2), pentru a preveni pătrunderea impurităților în rezervorul de carburant (1).
- Deșurubați bușonul rezervorului (2) și umpleți rezervorul cu carburant.
- Strângeți bine capacul bușonului rezervorului (2).
- Curățați șurubul bușonului rezervorului (2) și rezervorul după realimentare.



Depozitarea carburantului

Carburantul nu poate fi depozitat pentru o perioadă nelimitată de timp.

Achiziționați doar cantitatea necesară pentru o perioadă de operare de 4 săptămâni.

Utilizați doar recipiente omologate de depozitare a carburantului.

PORNIREA/OPRIREA

Respectați reglementările aplicabile privind prevenirea accidentelor.

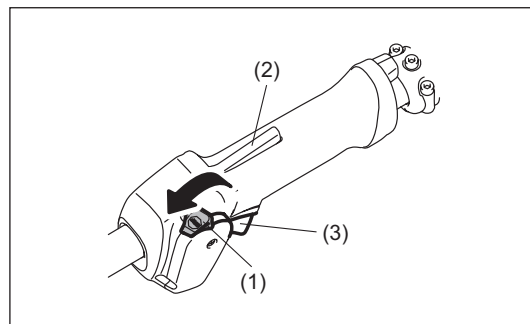
Pornire

Mutați-vă la o distanță de cel puțin 3 metri de zona în care ați alimentat echipamentul. Așezați motocosoitoarea cu fir pe o porțiune curată de sol, având grijă ca dispozitivul de tăiere să nu intre în contact cu solul sau cu alte obiecte.

AVERTISMENT: Țineți cont de faptul că dispozitivul de tăiere se va roti imediat după ce motorul pornește.

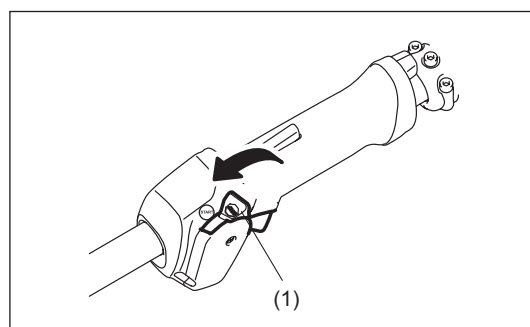
Pornirea la rece

- Poziționați comutatorul de pornire-oprire (1) la poziția de pornire, în modul ilustrat.
- Prindeți mânerul (presiunea mâinii activează maneta de blocare de siguranță (2)).
- Apăsați maneta de accelerație (3) și mențineți-o apăsată.
- Aduceți comutatorul de pornire-oprire (1) în poziția de pornire și eliberați maneta de control, apoi eliberați comutatorul de pornire-oprire (comutatorul de pornire-oprire menține maneta de accelerație în poziția de pornire).

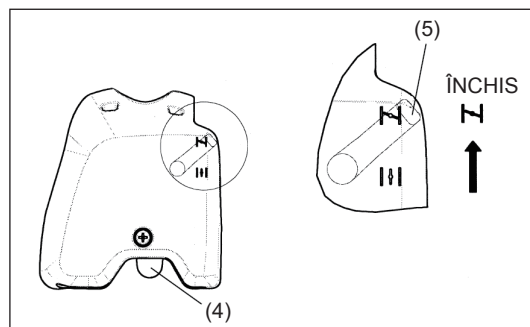


Pornirea la cald

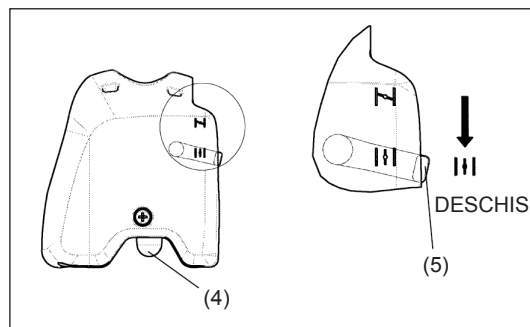
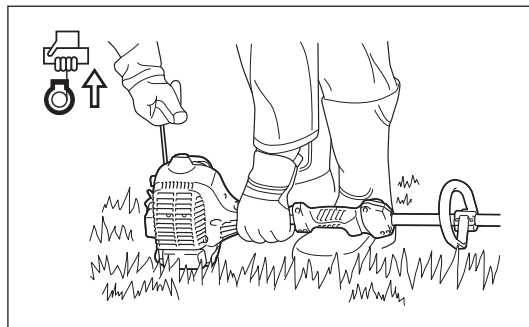
- Poziționați comutatorul de pornire-oprire (1) la poziția neutră, în modul ilustrat.



- Mai întâi, așezați echipamentul pe sol.
- Apăsați ușor și repetați pompa de pornire (4) (de 7 - 10 ori) până când carburantul pătrunde în pompa de pornire.
- Închideți maneta de șoc (5).
 - Deschidere șoc:
 - Închidere completă la temperaturi joase sau când motorul este rece
 - Deschidere completă sau pe jumătate pentru repornire în timp ce motorul este cald



- Țineți ferm carcasa ambreiajului cu mâna stângă, așa cum se arată în ilustrație.
- Retrageți lent mânerul demarorului până simțiți o rezistență, apoi continuați cu o tragere rapidă.
- Nu trageți cablul demarorului complet și nu permiteți retragerea de la sine a mânerului demarorului. Mențineți controlul cablului demarorului și asigurați-vă că acesta se retrage încet.
- Repetați operația de pornire până când se aud sunetele inițiale de aprindere ale motorului.
- Apăsăți maneta de șoc (5) (|↑|) și trageți din nou cablul demarorului, până când motorul pornește.
- Imediat ce motorul a pornit, strângeți și eliberați imediat maneta de accelerație, eliberând astfel blocajul accelerației parțiale, pentru ca motorul să poată funcționa la ralanti.
- Lăsați motorul să funcționeze timp de aproximativ un minut, la turație moderată, înainte de a deschide la maximum clapeta de accelerație.



- NOTĂ: – Dacă mânerul demarorului este tras în mod repetat atunci când maneta de șoc este în poziția “|↑|”, motorul nu va porni ușor, din cauza admisiei excesive de carburant.
- În cazul admisiei excesive de carburant, scoateți bujia și trageți de mânerul demarorului încet pentru a elimina carburantul în exces. De asemenea, uscați secțiunea electrodului bujiei.

Atenționare în timpul operării:

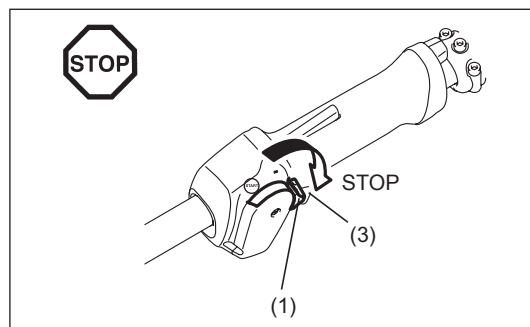
Dacă maneta de accelerație este deschisă complet în timpul funcționării în gol, turația motorului crește la peste 10.000 min⁻¹. Nu operați niciodată motorul la o turație mai mare decât cea necesară și păstrați turația la aproximativ 6.000 - 8.000 min⁻¹.

ATENȚIE: Reduceți întotdeauna turația motorului atunci când echipamentul nu este utilizat pentru lucrări.

Operarea echipamentului la o turație ridicată în timp ce nu este utilizat pentru lucrări va scurta durata de viață a acestuia.

Oprire

- Eliberați maneta de accelerație (3) complet și, când turația motorului a scăzut, setați comutatorul de pornire-oprire (1) la poziția “STOP” pentru a opri motorul.
- Fiți atent la capul de tăiere, care s-ar putea să nu se oprească imediat, și permiteți încetinirea și oprirea completă a acestuia.



CAP DE TĂIERE CU NYLON

Capul de tăiere cu nylon este un cap de motocositoare cu fir dublu, cu mecanism de percutare și alimentare.
Capul de tăiere cu nylon va elibera firul de nylon după lovirea capului de motocositoare de sol.

Operare

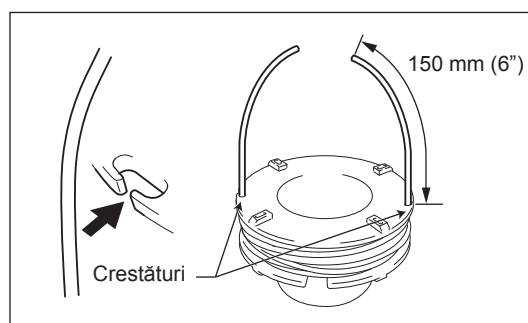
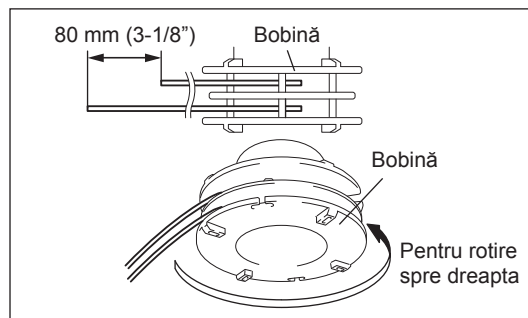
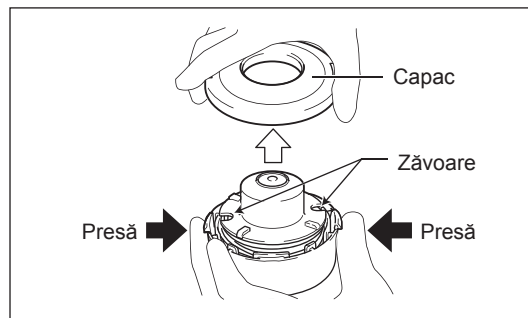
- Cea mai eficientă zonă de tăiere este indicată de zona întunecată.
- Pentru a alimenta firul de nylon, măriți turația capului de tăiere cu nylon la aproximativ 6.000 min^{-1} și loviți capul de tăiere cu nylon ușor de sol.
- În cazul în care capul de tăiere cu nylon nu este eliberat prin lovire, înfășurați/înlocuiți firul de nylon urmând procedurile descrise la secțiunea "Înlocuirea firului din nylon."

Înlocuirea firului din nylon

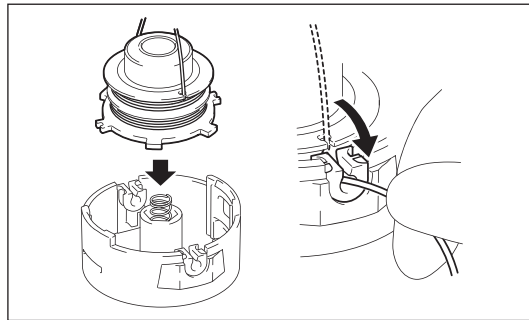
- Opriți motorul.
- Apăsăți pe zăvoarele carcasei spre interior pentru ridicarea capacului, apoi scoateți bobina.

- Agățați vârful noului fir de nylon în creștătura din centrul bobinei, cu un capăt al firului întinzându-se cu circa 80 mm (3-1/8") mai mult decât celălalt. Apoi, înfășurați strâns ambele capete în jurul bobinei în sensul de rotație al capului (sens spre dreapta indicat prin RH pe partea laterală a bobinei).

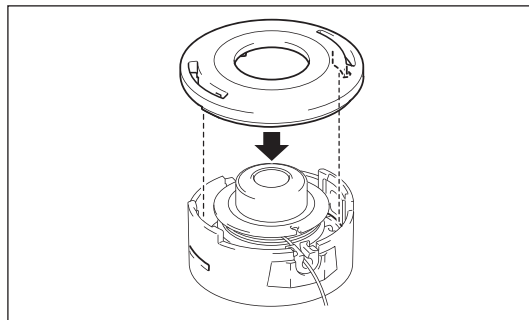
- Înfășurați în întregime, mai puțin 150 mm (6") din fir în jurul bobinei, lăsând capetele agățate temporar prin creștătura de pe partea laterală a bobinei.



- Introduceți firele prin fante pentru a ieși în afara carcasei.
Montați șaiba, arcul și bobina în carcasă.



- Aliniați cârligele de pe capac și carcasă.
Apoi, apăsați ferm capacul pe carcasă pentru a-l fixa.



INSTRUCȚIUNI DE SERVICE

Instrucțiuni de service

ATENȚIE: Înainte de a efectua orice operații de întreținere pe motocositoarea cu fir, opriți întotdeauna motorul și scoateți fișa bujiei (a se vedea "verificarea bujiei").
Purtați întotdeauna mănuși de protecție.

ATENȚIE: Nu demontați niciodată demarorul cu rapel. În caz contrar, pot rezulta accidentări. Acest procedeu trebuie efectuat doar de către un centru de service autorizat.

Pentru a asigura o durată de funcționare îndelungată și pentru a evita orice deteriorare a echipamentului, următoarele operații de întreținere trebuie efectuate la intervale regulate.

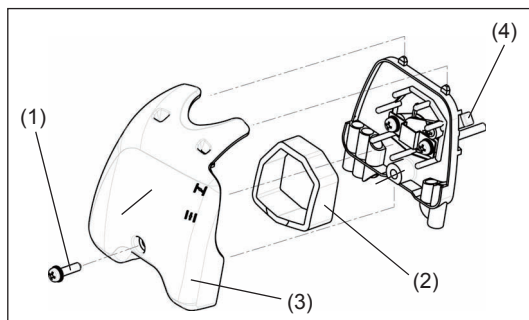
Inspecție și întreținere zilnică

- Înainte de operare, verificați echipamentul pentru a vedea dacă prezintă șuruburi slăbite sau piese lipsă. Acordați o atenție specială strângerii lamei de tăiere sau capului de tăiere cu nylon.
- Înainte de operare, verificați întotdeauna eventuala înfundare a pasajului de aer pentru răcire și a aripioarelor cilindrului.
Curățați-le dacă este necesar.
- Efectuați următoarele operații de întreținere zilnic, după utilizare:
 - Curățați motocositoarea cu fir la exterior și verificați pentru a identifica eventuale defecte.
 - Curățați filtrul de aer. Atunci când lucrați în condiții cu foarte mult praf, curățați filtrul de mai multe ori pe zi.
 - Verificați eventuala deteriorare a lamei sau capului de tăiere cu nylon și asigurați-vă că este montat(ă) ferm.
 - Verificați dacă există diferență suficientă între turația de ralanti și de operare pentru a vă asigura că dispozitivul de tăiere este oprit în timp ce motorul funcționează la ralanti (dacă este necesar reduceți turația de ralanti).
Dacă în condiții de ralanti dispozitivul de tăiere continuă să se rotească, consultați cel mai apropiat agent de service autorizat.
- Verificați funcționarea corectă a comutatorului de pornire-oprire, manetei de blocare, manetei de control și butonului de blocare.

Curățarea filtrului de aer (filtru)

- Rotiți maneta de șoc (4) în partea corespunzătoare poziției complet închis și țineți carburatorul la distanță de praf sau murdărie.
- Îndepărtați șurubul (1).
- Demontați capacul filtrului de aer (3).
- Scoateți elementul tip burete (2), spălați-l în apă caldă și uscați-l corespunzător.
- După curățare, reinstalați capacul filtrului de aer (3) și fixați-l cu șurubul (1).

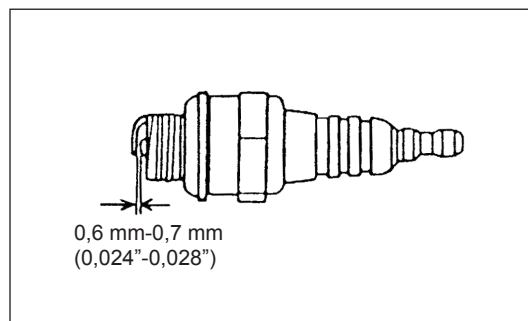
NOTĂ: Dacă pe filtrul de aer se depun cantități excesive de praf sau impurități, curățați-l zilnic. Un filtru de aer înfundat poate face dificilă sau imposibilă pornirea motorului sau creșterea vitezei de rotație a acestuia.



Verificarea bujiei

- Utilizați doar cheia universală furnizată pentru a scoate sau a instala bujia.
- Distanța dintre cei doi electrozi ai bujiei trebuie să fie între 0,6 și 0,7 mm (0,024" - 0,028"). Dacă distanța este prea mare sau prea mică, reglați-o. Dacă bujia este înfundată cu carbon sau prezintă impurități, curățați-o bine sau înlocuiți-o.

ATENȚIE: Nu atingeți fișa bujiei în timp ce motorul funcționează (pericol de șoc electric la tensiune înaltă).

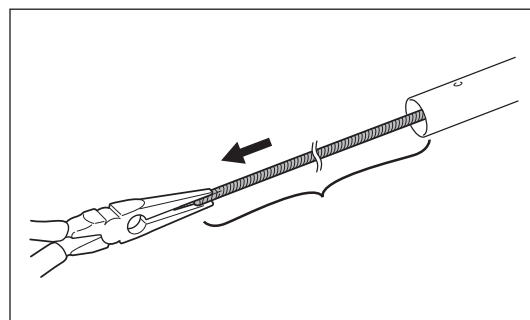
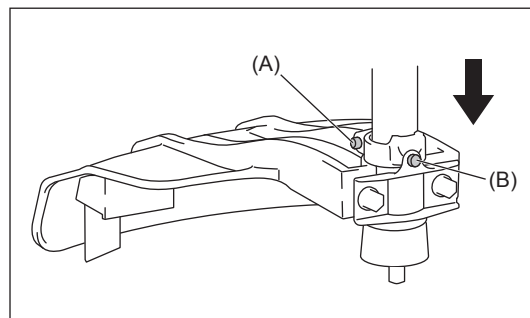


Alimentare cu unsoare a arborelui flexibil

- Alimentați cu unsoare (Shell Alvania 2 sau echivalent) arborele flexibil, la fiecare 50 de ore.
(Unsoarea DOLMAR originală poate fi achiziționată de la distribuitorul dumneavoastră DOLMAR.)

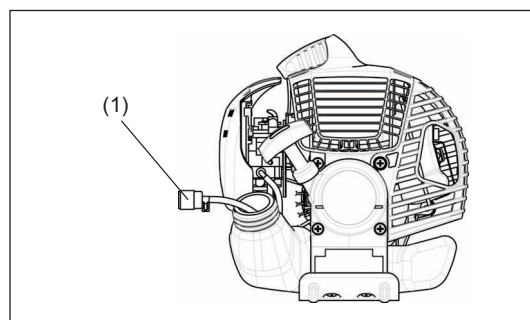
Pentru a aplica unsoare, parcurgeți următorii pași:

1. Înlăturați șuruburile (A) și (B).
2. Înlăturați unitatea capului de tăiere de pe arbore.
3. Scoateți cu mâna arborele flexibil și aplicați unsoare.



Capul de aspirație din rezervorul de carburant

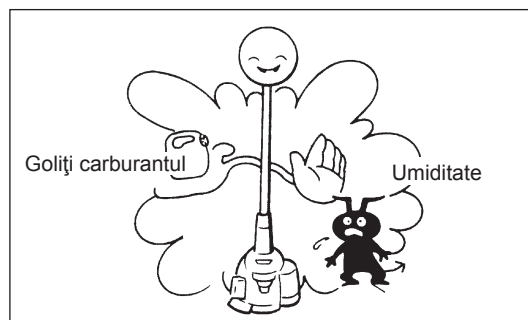
- Filtrul de carburant (1) al capului de aspirație este utilizat pentru a alimenta carburantul necesar pentru carburator.
- Verificați vizual filtrul de carburant periodic. Pentru a verifica filtrul, deschideți bușonul de alimentare cu carburant, utilizați un cârlig din sârmă și trageți afară capul de aspirație prin deschiderea rezervorului. Înlocuiți filtrul dacă acesta este întărit, este foarte murdar sau este înfundat.
- Alimentarea insuficientă cu carburant poate avea ca rezultat depășirea turației maxime admisibile. Înlocuiți filtrul de carburant cel puțin trimestrial, pentru a asigura o alimentare suficientă cu carburant a carburatorului.



Orice lucrare de întreținere sau reglare care nu este inclusă și descrisă în acest manual trebuie efectuată doar de către un centru de service autorizat.

DEPOZITARE

- La depozitarea echipamentului pentru o perioadă lungă de timp, goliți întreaga cantitate de carburant din rezervor și carburator. Pentru a face acest lucru, trebuie doar să evacuați carburantul din rezervorul de carburant. Eliminați carburantul golit în mod corespunzător și în conformitate cu legislația locală.
- Scoateți bujia și adăugați câteva picături de ulei de motor prin orificiul bujiei. Apoi, trageți demarorul încet, pentru ca pelicula de ulei să acopere interiorul motorului și strângeți bujia.
- Curățați murdăria sau praful de pe lama de tăiere și de pe exteriorul motorului, apoi ștergeți-le cu o cârpă înmuiată în ulei. Depozitați echipamentul într-un loc uscat.



Program de întreținere

Generalități	Ansamblul motorului, șuruburi și piulițe	Verificare vizuală pentru defecte și strângere corectă Verificare a siguranței și stării generale
După fiecare realimentare	Manetă de control Comutator pornire-oprire	Verificare funcțională Verificare funcțională
Zilnic	Filtru de aer Conductă aer răcire Dispozitiv de tăiere Turație la ralanti	Se va curăța Se va curăța Verificați gradul de ascuțire și eventuale deteriorări Verificare (dispozitivul de tăiere trebuie să rămână imobil)
Săptămânal	Bujie Tobă de eșapament	Verificare, înlocuiți dacă este necesar Verificați și, dacă este necesar, curățați deschiderea
Trimestrial	Cap de aspirație Rezervor de carburant	Se va înlocui Se va curăța
Procedură de oprire	Rezervor de carburant Carburator	Goliți rezervorul de carburant Operați până la consumarea totală a carburantului

Depanare

Defect	Sistem	Observații	Cauză
Motorul nu pornește sau pornirea este dificilă	Sistem de aprindere	Scânteie de aprindere OK	Defect la sistemul de alimentare cu carburant sau în sistemul de compresie, defect mecanic
		Nu există scânteie de aprindere	Comutator de pornire-oprire acționat, defect de cablaj sau scurtcircuit, bujie sau fișă defectă, modul de aprindere defect
	Alimentare cu carburant	Rezervorul de carburant este plin	Poziție incorectă a șocului, carburator defect, conductă de alimentare cu carburant îndoită sau blocate, carburant murdar
Probleme de pornire la cald	Compresie	Lipsă compresie la tragerea demarorului	Garnitură inferioară cilindru defectă, etanșări arbore cotit deteriorate, segmenti de cilindru sau piston defecti sau etanșare incorectă a bujiei
	Defecțiune mecanică	Demarorul nu cuplează	Arc demaror rupt, piese defecte în interiorul motorului
Motorul pornește, dar se oprește imediat	Alimentare cu carburant	Rezervor plin. Scânteie de aprindere OK	Carburator murdar, trebuie curățat
Rezervor plin		Reglare la ralanti incorectă, carburator contaminat	
Performanțe insuficiente	Mai multe sisteme pot fi afectate simultan	Turație de ralanti motor defectuoasă	Orificiu de ventilare rezervor de carburant defect, conductă de alimentare cu carburant întreruptă, cablu sau comutator de pornire-oprire defect
			Filtru de aer contaminat, carburator contaminat, tobă de eșapament înfundată, conductă de evacuare din cilindru înfundată

Herzlichen Glückwunsch, dass Sie sich für den Kauf eines motorbetriebenen Werkzeugs von DOLMAR entschieden haben. Wir freuen uns, Ihnen den Motor-Rasentrimmer von DOLMAR anbieten zu können; diese Erzeugnisse sind das Ergebnis eines langen Entwicklungsprogramms und vieler Jahre an Erkenntnissen und Erfahrungen.




















Lesen Sie diese Broschüre mit detaillierten Informationen zu den verschiedenen Punkten, die die herausragende Leistung demonstrieren, aufmerksam durch. So können Sie die bestmöglichen Ergebnisse mit Ihrem Produkt von DOLMAR erzielen.



Inhaltsverzeichnis	Seite
Symbole.....	58
Sicherheitsvorschriften	59
Technische Daten	62
Bezeichnung der Bauteile.....	63
Montieren des Griffs	64
Montieren der Schutzhaube	64
Montieren des Nylon-Schneidkopfes.....	64
Kraftstoff/Betankung	65
Starten/Stoppen.....	66
Nylon-Schneidkopf	68
Wartungsanweisungen	69
Aufbewahrung	71

SYMBOLE

Beim Lesen der Bedienungsanleitung werden Ihnen die folgenden Symbole begegnen:

	Bitte lesen Sie die Bedienungsanleitung und befolgen Sie die Warnungen und Sicherheitshinweise!		Tragen Sie Schutzhelm, Schutzbrille und Gehörschutz.
	Besondere Aufmerksamkeit erforderlich!		Maximal zulässige Werkzeugdrehzahl max 00000min ⁻¹
	Verboten!		Kraftstoff (Benzin)
	Halten Sie Abstand!		Manueller Motorstart
	Gefahr durch herumfliegende Gegenstände!		Not-Aus
	Rauchen verboten!		Erste Hilfe
	Umgang mit offenen Flammen verboten!		EIN / START
	Tragen Sie Schutzhandschuhe!		AUS / STOPP
	Tragen Sie festes Schuhwerk mit rutschfesten Sohlen. Empfohlen werden Arbeitsschutzschuhe mit Stahlkappen!		Verwenden Sie niemals Schneidwerkzeuge aus Metall!
	Im Arbeitsbereich dürfen sich keine anderen Personen und keine Tiere aufhalten!		

SICHERHEITSVORSCHRIFTEN

Allgemeine Sicherheitsregeln

- Lesen Sie diese Bedienungsanleitung durch und machen Sie sich mit dem Umgang mit diesem Werkzeug vertraut. Unzureichend informierte Benutzer können bei einem unsachgemäßen Umgang mit dem Werkzeug sich und andere gefährden.
- Sie sollten das Werkzeug nur an Personen verleihen, die nachweislich über Erfahrungen im Umgang mit derartigen Werkzeugen verfügen. Überreichen Sie stets auch diese Bedienungsanleitung.
- Erstanwender sollten sich von ihrem Händler grundlegende Anleitungen geben lassen, um im Umgang mit einem Rasentrimmer vertraut zu werden.
- Kindern und Jugendlichen unter 18 Jahren ist die Bedienung dieses Werkzeugs untersagt. Personen über 16 Jahre dürfen das Werkzeug für Übungszwecke verwenden, jedoch nur unter Aufsicht eines entsprechend qualifizierten Anleiters.
- Verwenden Sie dieses Werkzeug stets mit äußerster Vorsicht und Aufmerksamkeit.
- Betreiben Sie dieses Werkzeug nur, wenn Sie in guter physischer Verfassung sind. Führen Sie alle Arbeiten ruhig und mit Vorsicht aus. Die Bedienperson ist gegenüber Dritten haftbar.
- Betreiben Sie dieses Werkzeug nie unter dem Einfluss von Alkohol und/oder Medikamenten, oder wenn Sie müde oder krank sind.
- Die Erlaubnis zur Verwendung dieses Werkzeugs kann durch örtlich geltende Gesetze und Bestimmungen eingeschränkt sein.

Verwendungszweck des Werkzeugs

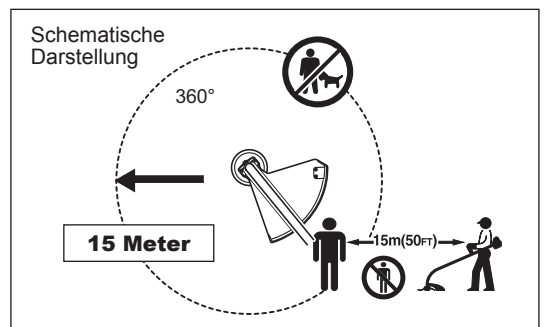
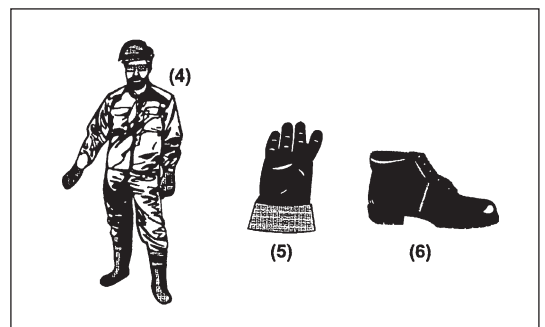
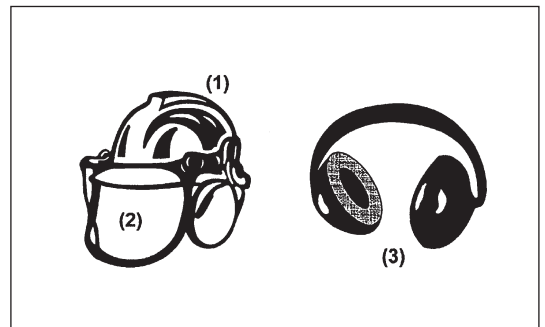
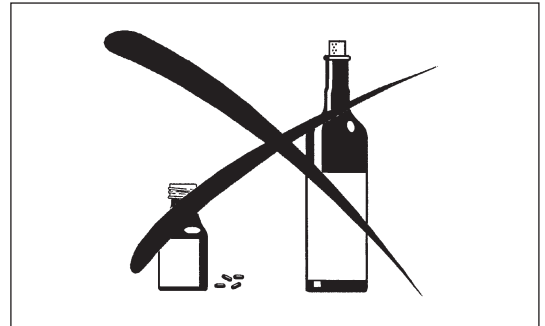
- Dieses Werkzeug darf ausschließlich für das Schneiden von Gras und leichtem Unkrautbewuchs verwendet werden. Das Werkzeug darf nicht für andere Zwecke verwendet werden, beispielsweise zum Beschneiden von Einfassungen oder Hecken, da dies zu Verletzungen führen kann.

Persönliche Schutzausrüstung

- Tragen Sie zweckmäßige und geeignete Kleidung, d. h. die Kleidung sollte am Körper anliegen, ohne Behinderungen zu verursachen. Tragen Sie keinen Schmuck. Tragen Sie keine Kleidung, mit der Sie sich in Büschen oder Gestrüpp verfangen können.
- Zur Vermeidung von Verletzungen von Gehör, Augen, Händen und Füßen, aber auch um Ihre Hörleistung während des Betriebs zu schützen, müssen Sie während der Bedienung des Werkzeugs die folgenden Schutzausrüstungen oder Schutzkleidungen tragen.
- Tragen Sie stets einen Helm, wenn die Gefahr herabfallender Gegenstände besteht. Der Schutzhelm (1) muss regelmäßig auf Beschädigungen überprüft und spätestens alle 5 Jahre ausgetauscht werden. Verwenden Sie ausschließlich zugelassene Schutzhelme.
- Das Visier (2) des Helms (oder alternativ eine Schutzbrille) schützt das Gesicht vor herumfliegenden Fremdkörpern und Steinen. Tragen Sie während des Betriebs des Werkzeugs eine Schutzbrille oder ein Visier, um Verletzungen der Augen zu vermeiden.
- Tragen Sie einen angemessenen Gehörschutz, um eine Schädigung des Gehörs zu vermeiden (Gehörschutzkapseln (3), Gehörschutzstöpsel usw.).
- Arbeitsanzüge (4) schützen gegen herumfliegende Steine und Fremdkörper. Wir empfehlen dringend, dass der Bediener einen Arbeitsanzug trägt.
- Handschuhe (5) sind Bestandteil der vorgeschriebenen Ausrüstung und müssen stets bei Bedienung dieses Werkzeugs getragen werden.
- Tragen Sie beim Arbeiten mit dem Werkzeug stets feste Schuhe (6) mit rutschfesten Sohlen. Derartige Schuhe schützen vor Verletzungen und geben einen sicheren Halt.

Starten des Motor-Rasentrimmers

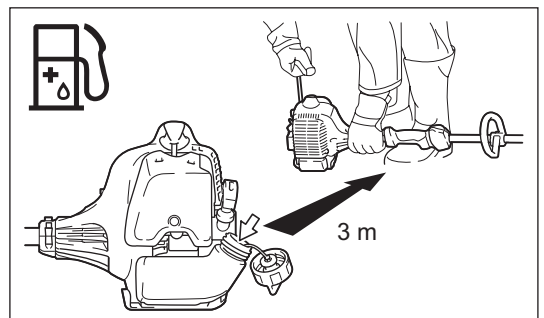
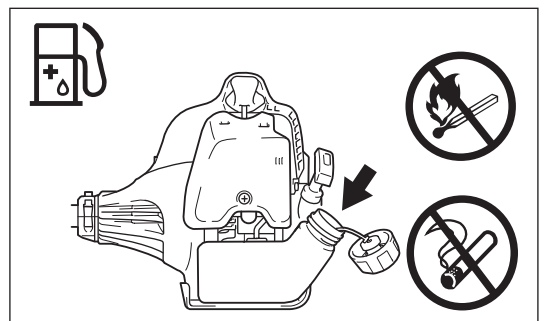
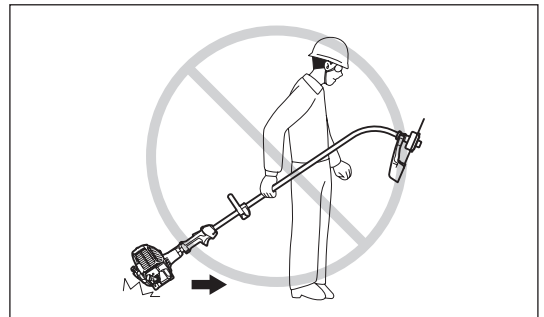
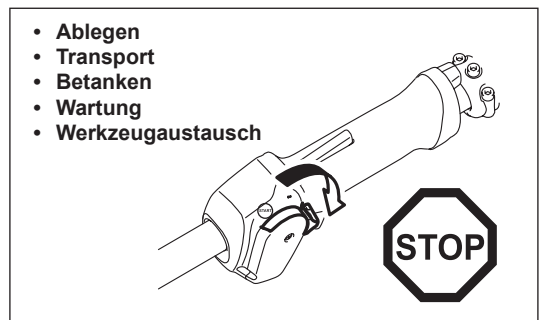
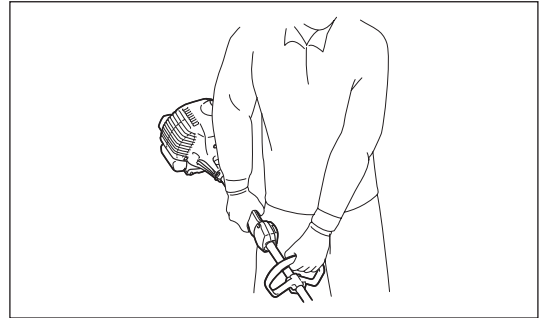
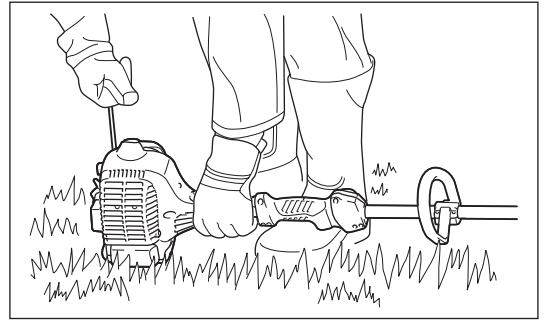
- Vergewissern Sie sich, dass sich in einem Arbeitsbereich von 15 m keine Kinder oder andere Personen aufhalten, achten Sie außerdem auf Tiere im Arbeitsbereich.
- Überprüfen Sie vor jeder Verwendung, dass das Werkzeug betriebssicher ist. Prüfen Sie die Sicherheit des Schneidwerkzeugs, den Gashebel auf einfache Bedienung und die Arretierung des Gashebels auf ordnungsgemäße Funktion.
- Im Leerlauf darf sich das Schneidwerkzeug nicht drehen. Wenden Sie sich bei Bedenken an Ihren Händler, um die Einstellungen zu überprüfen. Sorgen Sie dafür, dass die Griffe sauber und trocken sind, und testen Sie die Funktion des Start-/Stoppschalters.



- Starten Sie den Motor-Rasentrimmer ausschließlich wie in der Bedienungsanleitung vorgegeben.
- Starten Sie den Motor auf keine andere Weise!
- Verwenden Sie den Motor-Rasentrimmer und die Werkzeuge nur für die angegebenen Zwecke.
- Starten Sie den Motor nur, wenn das Werkzeug vollständig zusammengebaut ist. Der Betrieb des Werkzeugs ist nur gestattet, wenn alles dazugehörige Zubehör anmontiert ist!
- Stellen Sie vor dem Starten sicher, dass das Schneidwerkzeug keine harten Gegenstände (Geäst, Steine usw.) berührt, da sich das Schneidwerkzeug beim Starten dreht.
- Bei Motorproblemen muss der Motor sofort ausgeschaltet werden.
- Sollte das Schneidwerkzeug Steine oder andere harte Gegenstände treffen, schalten Sie sofort den Motor aus und überprüfen Sie das Schneidwerkzeug.
- Überprüfen Sie das Schneidwerkzeug in regelmäßigen, kurzen Intervallen. Prüfen Sie mit einem Klopfest auf Haarrisse.
- Wenn das Werkzeug einem starken Stoß ausgesetzt wurde oder heruntergefallen ist, überprüfen Sie den Zustand des Werkzeugs, bevor Sie die Arbeiten fortsetzen. Überprüfen Sie das Kraftstoffsystem auf Leckagen und die Bedienelemente und Sicherheitseinrichtungen auf Fehlfunktionen. Wenn Sie einen Schaden bemerken oder sich nicht sicher sind, wenden Sie sich zur Inspektion und Reparatur an unser Ihr autorisiertes Servicecenter.
- Halten Sie den Motor-Rasentrimmer während des Betriebs stets mit beiden Händen. Halten Sie den Motor-Rasentrimmer während des Betriebs niemals mit nur einer Hand.
Sorgen Sie immer für einen sicheren Stand.
- Betreiben Sie das Werkzeug stets so, dass Sie keine Abgase einatmen. Betreiben Sie den Motor niemals in geschlossenen Räumen (Gefahr einer Gasvergiftung). Kohlenmonoxid ist ein geruchloses Gas.
- Schalten Sie den Motor aus, wenn Sie das Werkzeug ablegen, oder wenn Sie das Werkzeug unbeaufsichtigt lassen, und lagern Sie das Werkzeug immer an einem sicheren Ort, um Verletzungen anderer Personen und Beschädigungen des Werkzeugs zu vermeiden.
- Legen Sie den heißen Motor-Rasentrimmer niemals auf trockenem Gras oder auf sonstigen brennbaren Materialien ab.
- Bringen Sie stets den Schneidwerkzeugschutz am Werkzeug an, bevor Sie den Motor starten. Andernfalls kann der Kontakt mit dem Schneidwerkzeug schwere Verletzungen verursachen.
- Während des Betriebs müssen alle mit dem Werkzeug gelieferten Schutzvorrichtungen und Abdeckungen verwendet werden.
- Betreiben Sie den Motor niemals mit beschädigtem Auspuffschalldämpfer.
- Schalten Sie den Motor während des Transports aus.
- Sorgen Sie bei Transport des Werkzeugs in einem Fahrzeug für eine sichere Ablage, um das Austreten von Kraftstoff zu vermeiden.
- Sorgen Sie dafür, dass beim Transport der Kraftstofftank des Werkzeugs vollständig leer ist.
- Setzen Sie beim Abladen des Motor-Rasentrimmers von einem LKW den Motor niemals hart auf den Boden auf; dadurch kann der Kraftstofftank beschädigt werden.
- Lassen Sie das Werkzeug nur in einem Notfall auf den Boden fallen, da dadurch das Werkzeug beschädigt werden kann.
- Heben Sie beim Bewegen immer das gesamte Werkzeug vom Boden an. Ein Ziehen am Kraftstofftank ist äußerst gefährlich und kann zu Beschädigung des Kraftstofftanks oder zum Auslaufen von Kraftstoff führen und ggf. einen Brand verursachen.

Auftanken

- Schalten Sie den Motor aus, halten Sie den Motor von offenen Flammen fern und rauchen Sie während des Auftankens nicht.
- Vermeiden Sie Hautkontakt mit Mineralölprodukten. Atmen Sie die Kraftstoffdämpfe nicht ein. Tragen Sie zum Betanken immer Schutzhandschuhe. Wechseln und reinigen Sie Schutzkleidung regelmäßig.
- Stellen Sie zur Vermeidung einer Kontamination des Erdbodens (Umweltschutz) sicher, dass kein Kraftstoff und kein Öl in das Erdreich eindringt. Wischen Sie verschütteten Kraftstoff unverzüglich vom Motor-Rasentrimmer ab.
- Achten Sie darauf, dass Ihre Kleidung nicht in Kontakt mit Kraftstoff kommt. Falls Ihre Kleidung in Kontakt mit Kraftstoff kommt, wechseln Sie die Kleidung sofort (Brandgefahr!).
- Überprüfen Sie den Tankdeckel regelmäßig auf ordnungsgemäßen Sitz und auf Dichtheit.
- Schrauben Sie den Deckel des Kraftstofftanks ordnungsgemäß fest. Entfernen Sie sich mindestens 3 m vom Ort des Betankens, bevor Sie den Motor starten.
- Betanken Sie das Werkzeug niemals in geschlossenen Räumen. Andernfalls kann es aufgrund der Ansammlung von Kraftstoffdampf auf dem Boden zu einer Explosion kommen.
- Transportieren und lagern Sie Kraftstoff ausschließlich in dafür zugelassenen Behältern. Stellen Sie sicher, dass Kinder keinen Zugang zu gelagertem Kraftstoff haben.



Handhabung

- Verwenden Sie das Werkzeug nur bei guten Licht- und Sichtverhältnissen. Achten Sie im Winter auf rutschige oder nasse Bereiche, z. B. auf vereiste oder schneebedeckte Flächen (Rutschgefahr). Sorgen Sie immer für einen sicheren Stand.
- Schneiden Sie niemals über Schulterhöhe.
- Schneiden Sie niemals auf einer Leiter stehend.
- Klettern Sie niemals auf Bäume, um mit dem Werkzeug zu schneiden.
- Arbeiten Sie niemals auf nicht stabilen Flächen.
- Entfernen Sie Sand, Steine, Nägel usw. aus dem Arbeitsbereich.
- Vergewissern Sie sich vor Beginn des Schnitts, dass das Schneidwerkzeug die volle Arbeitsdrehzahl erreicht hat.
- Schwenken Sie den Motor-Rasentrimmer gleichmäßig. Falls sich Gras oder Äste zwischen dem Schneidwerkzeug und dem Schutz verfangen, stoppen Sie vor dem Reinigen stets den Motor. Andernfalls kann der Kontakt mit dem Schneidwerkzeug schwere Verletzungen verursachen.
- Legen Sie regelmäßig Pausen ein, damit es nicht zu einem Kontrollverlust aufgrund von Ermüdungserscheinungen kommt. Wir empfehlen, jede Stunde eine Pause von 10 bis 20 Minuten einzulegen.

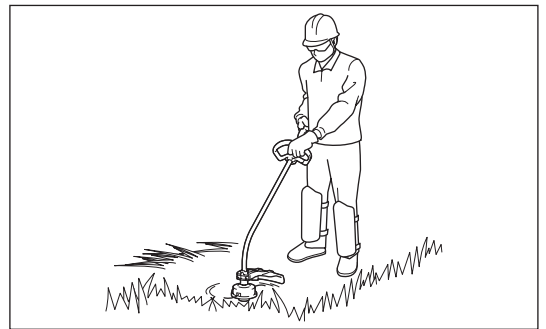


Schneidwerkzeuge

- Verwenden Sie niemals Metallblätter, auch keine metallischen, mehrteiligen Pivotketten und Schlegelmesser. Andernfalls kann es bei Kontakt mit den Schneidwerkzeugen zu schweren Verletzungen kommen.

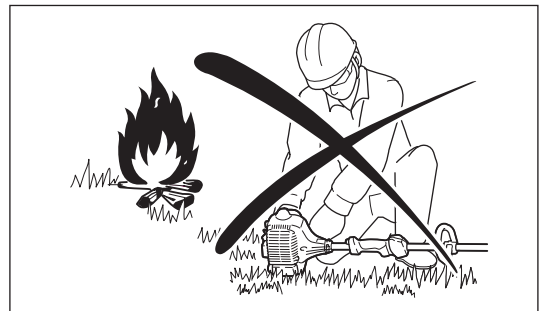
Schwingung

- Wenn sich Personen mit Durchblutungsstörungen zu starken mechanischen Schwingungen aussetzen, kann es zu Schädigungen von Blutgefäßen und/oder Nervensystem kommen. Folgende Symptome können durch Vibrationen an Fingern, Händen oder Handgelenken auftreten: „Einschlafen“ von Körperteilen (Taubheit), Kribbeln, Schmerz, Stechen, Veränderung von Hautfarbe oder Haut. Falls eines dieser Symptome auftritt, suchen Sie einen Arzt auf!
- Um das Risiko der „Weißfingerkrankheit“ zu verringern, halten Sie Ihre Hände während des Arbeitens warm und warten und pflegen Sie das Werkzeug und Zubehörteile gut.



Wartungsanweisungen

- Lassen Sie Ihr Werkzeug durch unser autorisiertes Servicecenter warten, verwenden Sie stets nur originale Ersatzteile. Unsachgemäße Reparatur- und Wartungsarbeiten können die Lebenszeit des Werkzeugs verkürzen und das Unfallrisiko erhöhen.
- Überprüfen Sie immer den Zustand des Werkzeugs, insbesondere des Schneidwerkzeugs und der Schutzvorrichtungen, bevor Sie mit der Arbeit beginnen.
- Schalten Sie den Motor aus und entfernen Sie den Zündkerzenstecker, bevor Sie das Schneidwerkzeug austauschen, aber auch bevor Sie den Rasentrimmer oder das Schneidwerkzeug reinigen.
- Nehmen Sie Rücksicht auf die Umwelt und auf Ihre Nachbarn. Vermeiden Sie ein unnötiges Betätigen des Gashebels, damit Umweltbelastung und Geräuschentwicklung so gering wie möglich gehalten werden. Achten Sie auf eine korrekte Vergasereinstellung.
- Reinigen Sie das Werkzeug regelmäßig und überprüfen Sie, ob alle Schrauben und Muttern fest angezogen sind.
- Das Ausführen von Arbeiten am Werkzeug oder das Lagern des Werkzeugs in der Nähe offener Flammen ist verboten.
- Lagern Sie das Werkzeug in einem abgeschlossenen Raum und nur mit geleertem Kraftstofftank.



Beachten Sie die geltenden Bestimmungen zur Verhinderung von Unfällen, die von den zuständigen Berufsorganisationen und von Versicherungsunternehmen herausgebracht werden.

Nehmen Sie keinerlei technische Veränderungen am Werkzeug vor, da dies Ihre Sicherheit gefährden würde.

Der Bediener darf nur die in dieser Bedienungsanleitung beschriebenen Wartungs- und Reparaturarbeiten durchführen. Alle anderen Arbeiten müssen von autorisiertem Wartungspersonal durchgeführt werden. Verwenden Sie ausschließlich originale Ersatz- und Zubehörteile, die von DOLMAR freigegeben sind und geliefert werden.

Die Verwendung nicht freigegebener Zubehörteile und Werkzeuge führt zu einem erhöhten Unfallrisiko.

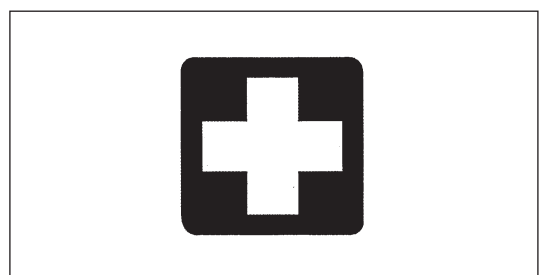
DOLMAR übernimmt keine Haftung für Unfälle oder Schäden, die durch die Verwendung nicht genehmigter Schneidwerkzeuge, Befestigungen der Schneidwerkzeuge und Zubehörteile verursacht werden.

Erste Hilfe

Stellen Sie für den Fall eines Unfalls sicher, dass in der Nähe der Schneidarbeiten ein Erste-Hilfe-Kasten verfügbar ist. Ersetzen Sie aus dem Erste-Hilfe-Kasten entnommene Materialien sofort.

Machen Sie folgende Angaben, wenn Sie Hilfe anfordern:

- Ort des Unfalls
- Was ist passiert
- Anzahl der verletzten Personen
- Art der Verletzungen
- Ihr Name



Nur für europäische Länder

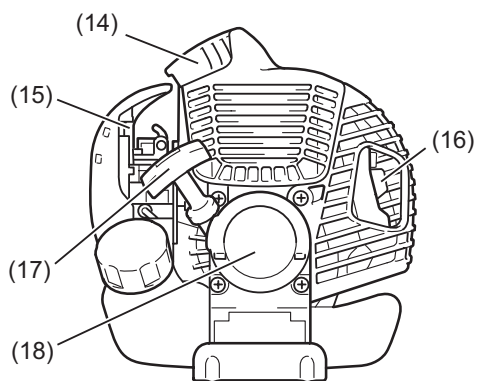
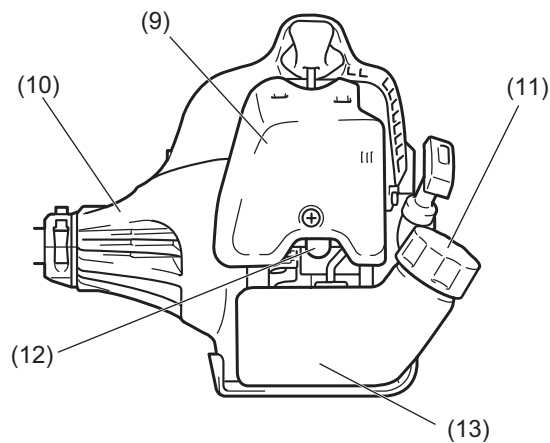
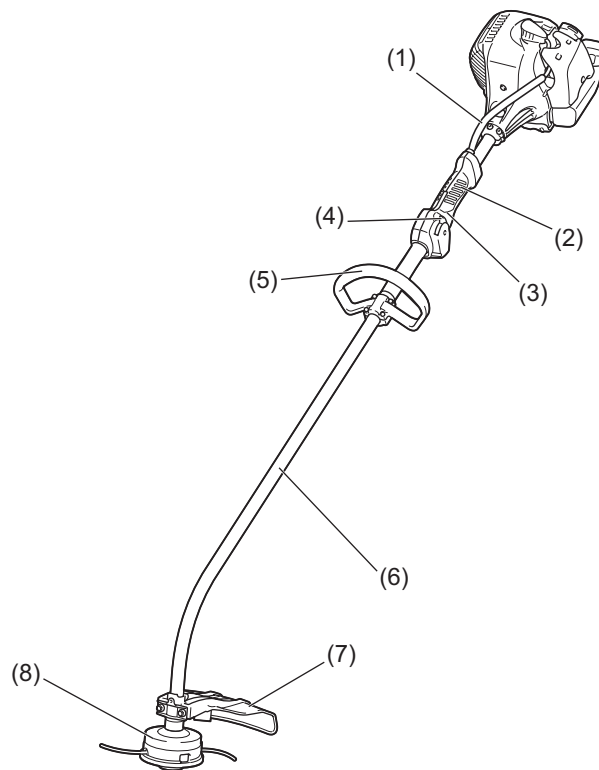
EG-Konformitätserklärung

Die EG-Konformitätserklärung liegt dieser Betriebsanleitung als Anhang A bei.

TECHNISCHE DATEN

Modell		LT-27		
Typ des Griffs		Bügelgriff		
Abmessungen: Länge x Breite x Höhe (ohne Schneidwerkzeug)		mm	1.645 x 220 x 510	
Nettogewicht		kg	4,3	
Motortyp		Luftgekühlter Einzylinder-2-Takt-Motor		
Motor-Hubraum		cm ³	25,7	
Maximale Motorleistung		kW	0,83	
Maximale Drehzahl der Welle		min ⁻¹	10.000	
Schneiddurchmesser mit Nylon-Schneidkopf		mm	φ 400	
Leerlaufdrehzahl		/min	3.000	
Drehzahl Kupplungseingriff		/min	4.100	
Kraftstoff		Ottokraftstoff-Öl-Gemisch Motorenbenzin: 2-Takt-Motoröl = 50:1		
Fassungsvermögen (Kraftstofftank)		L	0,6	
Vergaser		WALBRO WYC		
Zündkerze		NGK BPMR7A		
Elektrodenabstand		mm	0,6 - 0,7	
Schwingungen nach ISO 22867	Rechter Griff (Hinterer Griff)	$a_{hv\ eq}$	m/s ²	5,074
		Abweichung K	m/s ²	1,5
	Linker Griff (Vorderer Griff)	$a_{hv\ eq}$	m/s ²	3,853
		Abweichung K	m/s ²	1,5
Durchschnittlicher Schalldruckpegel nach ISO 22868	$L_{PA\ eq}$	dB (A)	91,30	
	Abweichung K	dB (A)	0,85	
Durchschnittlicher Schalleistungspegel entsprechend ISO 22868	$L_{WA\ eq}$	dB (A)	111,30	
	Abweichung K	dB (A)	0,85	

BEZEICHNUNG DER BAUTEILE



Bezeichnung der Bauteile	
1	Gaszug
2	Hinterer Griff
3	Gashebel
4	Start-Stopp-Schalter
5	Griff
6	Schaftrohr
7	Schutzhaube (Abdeckung für Schneidwerkzeug)
8	Nylon-Schneidkopf
9	Luftfilterabdeckung
10	Kupplungsgehäuse
11	Kraftstoff-Tankdeckel
12	Anlasseinspritzpumpe
13	Kraftstofftank
14	Zündkerze
15	Choke-Hebel
16	Abgasschalldämpfer
17	Startergriff
18	Seilzugstarter

MONTIEREN DES GRIFFS

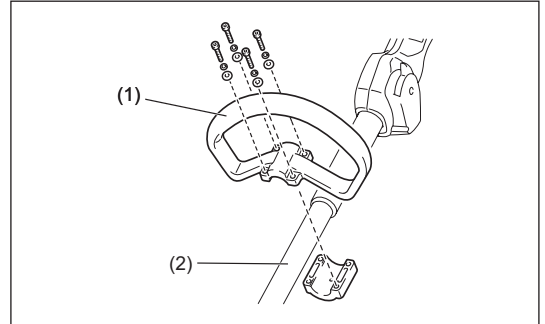
⚠ ACHTUNG: Stoppen Sie vor allen Arbeiten am Werkzeug den Motor und ziehen Sie den Zündkerzenstecker von der Zündkerze. Tragen Sie immer Schutzhandschuhe!

⚠ ACHTUNG: Stellen Sie vor dem Starten sicher, dass das Werkzeug wieder vollständig zusammengebaut ist.

Für Modelle mit Bügelgriff

- Befestigen Sie den Bügelgriff (1) am Schaftrohr (2).
- Vergewissern Sie sich, dass sich das Distanzstück am Rohr zwischen dem Griff und dem anderen Griff befindet. Entfernen oder kürzen Sie das Distanzstück nicht.

HINWEIS: In einigen Ländern wird das Distanzstück nicht mit dem Werkzeug geliefert. Richten Sie in diesem Fall den Handgriff weiter zur Seite aus, die durch Pfeilmarkierungen gekennzeichnet ist.



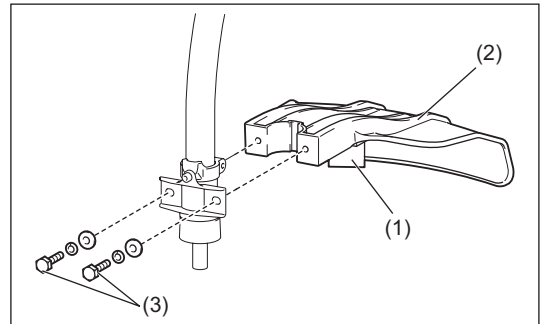
MONTIEREN DER SCHUTZHAUBE

Aufgrund der geltenden Sicherheitsvorschriften dürfen nur die in dieser Übersicht aufgezeigten Werkzeug/Schutz-Kombinationen verwendet werden.

⚠ ACHTUNG: Achten Sie darauf, den Fadenschneider (1) an der Schutzhaube (2) nicht zu berühren. Durch das Berühren des Fadenschneiders mit bloßen Händen können Sie sich verletzen.

Die Schutzhaube muss montiert werden, um die Länge des Nylon-Schneidfadens zu halten und den Bediener gegen umherfliegende Steine und Gegenstände zu schützen. Führen Sie die folgenden Schritte aus, um den Schutz zu montieren:

1. Setzen Sie die Schutzhaube so an, dass die Rippung am Schaftrohr in die Kerbe an der Schutzhaube passt.
2. Ziehen Sie die beiden Schrauben (3) fest.



MONTIEREN DES NYLON-SCHNEIDKOPFES

⚠ WARNUNG: Verwenden Sie niemals Metallschneidblätter!

Vergewissern Sie sich, dass Sie einen originalen Nylon-Schneidkopf von DOLMAR verwenden.

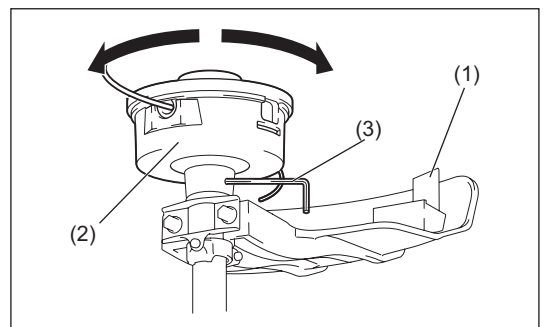
– Falls der Nylon-Schneidkopf während des Betriebs gegen Steine schlägt, stoppen Sie den Motor und überprüfen Sie den Nylon-Schneidkopf sofort.

⚠ ACHTUNG: Achten Sie darauf, den Fadenschneider (1) an der Schutzhaube nicht zu berühren. Durch das Berühren des Fadenschneiders mit bloßen Händen können Sie sich verletzen.

Führen Sie die folgenden Schritte aus, um einen Nylon-Schneidkopf (2) zu montieren.

1. Führen Sie den Sicherungsstift (3) durch das Loch in der Klemme ein. Drehen Sie diese und drücken Sie den Sicherungsstift hinein, bis die Klemme einrastet.
2. Schrauben Sie den Nylon-Schneidkopf im Uhrzeigersinn auf den Schaft. Vergewissern Sie sich, dass der Schneidkopf sicher befestigt ist.
3. Nehmen Sie den Sicherungsstift heraus.

Wenn Sie den Nylon-Schneidkopf entfernen möchten, drehen Sie ihn gegen den Uhrzeigersinn.



Umgang mit Kraftstoff

Beim Umgang mit Kraftstoffen ist äußerste Vorsicht geboten. Kraftstoffe können Substanzen enthalten, die wie Lösungsmittel wirken. Tanken Sie nur in einem gut belüfteten Raum oder im Freien auf. Atmen Sie die Kraftstoffdämpfe nicht ein und vermeiden Sie jeglichen Kontakt des Kraftstoffs oder Öls mit Ihrer Haut. Mineralölserzeugnisse wirken hautentfettend. Durch anhaltenden Hautkontakt mit diesen Erzeugnissen wird Ihre Haut extrem trocken, was zu unterschiedlichen Hauterkrankungen führen kann. Außerdem können allergische Reaktionen auftreten. Bei Kontakt mit Öl können Augenirritationen auftreten. Falls Öl in Ihre Augen gelangt, spülen Sie die Augen sofort mit klarem Wasser. Falls die Augenirritationen anhalten, suchen Sie sofort einen Arzt auf.



Beachten Sie die Sicherheitsanweisungen auf Seite 59.

Kraftstoff-Öl-Gemisch

Der Rasentrimmer wird von einem Hochleistungs-Zweitaktmotor angetrieben. Dieser wird mit einem Gemisch aus Kraftstoff und Zwei-Takt-Motorenöl betrieben. Der Motor ist für bleifreies Normalbenzin mit einer Oktanzahl von RON 91 vorgesehen. Verwenden Sie nur bleifreien Kraftstoff, um eine optimale Motorleistung zu erreichen und um Ihre Gesundheit und die Umwelt zu schützen!



Zur Schmierung des Motors ist 2-Takt-Motoröl (Qualität: JASO FC oder ISO EGD) als Kraftstoffzusatz zu verwenden. Der Motor ist für die Verwendung des speziellen Zwei-Takt-Motorenöls in einem Mischverhältnis von 50:1 ausgelegt. Außerdem werden eine lange Lebensdauer begleitet von einem zuverlässigen Betrieb und minimalen Emissionen durch die Verwendung dieses Mischungsverhältnisses garantiert. Die zuverlässige Funktionsweise des Rasentrimmers kann nicht garantiert werden, wenn das Mischungsverhältnis 50:1 (mit dem speziellen 2-Takt-Motoröl) nicht strengstens eingehalten wird.

Korrektes Mischungsverhältnis

Motorenbenzin: vom Hersteller freigegebenes 2-Takt-Motoröl = 50 : 1 oder Motorenbenzin: 2-Takt-Motoröl eines anderen Herstellers = 25 : 1 empfohlen

HINWEIS: Mischen Sie zur Vorbereitung des Kraftstoff-Öl-Gemischs zuerst die gesamte Ölmenge mit der Hälfte des erforderlichen Kraftstoffs und fügen Sie anschließend den restlichen Kraftstoff hinzu. Mischen Sie das Gemisch gut durch, bevor Sie es in den Tank des Rasentrimmers einfüllen. Geben Sie nicht mehr Motorenöl als angegeben hinzu, um einen sicheren Betrieb zu gewährleisten. Andernfalls werden mehr Verbrennungsrückstände produziert, die Umwelt verschmutzt und der Abluftkanal sowie der Schalldämpfer verstopft. Außerdem steigt der Kraftstoffverbrauch und die Leistung sinkt.

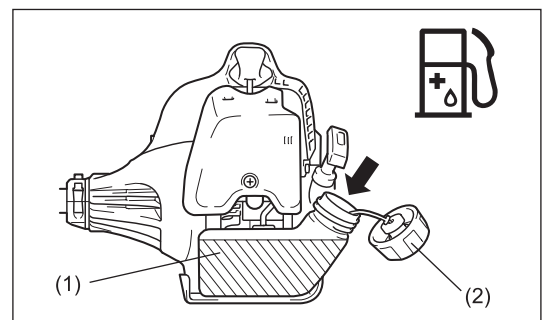


Motorenbenzin	50:1	25:1
	+	
1.000 cm ³ (1 Liter)	20 cm ³	40 cm ³
5.000 cm ³ (5 Liter)	100 cm ³	200 cm ³
10.000 cm ³ (10 Liter)	200 cm ³	400 cm ³

Betanken

Der Motor muss ausgeschaltet sein.

- Reinigen Sie den Bereich um den Tankdeckel (2) gründlich, damit kein Schmutz in den Kraftstofftank (1) gelangt.
- Schrauben Sie den Tankdeckel (2) ab und füllen Sie den Kraftstoff ein.
- Schrauben Sie den Tankdeckel (2) wieder fest auf.
- Reinigen Sie den Tankdeckel (2) und den Tank nach dem Betanken.



Aufbewahrung von Kraftstoffen

Kraftstoff kann nicht unbegrenzt gelagert werden. Kaufen Sie nur die Menge, die Sie in einem Betriebszeitraum von 4 Wochen benötigen. Verwenden Sie ausschließlich zugelassene Kraftstoffbehälter.

STARTEN/STOPPEN

Beachten Sie die geltenden Bestimmungen zur Unfallverhütung.

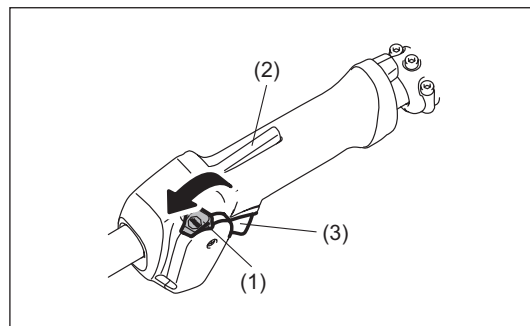
Starten

Bewegen Sie sich mindestens 3 m von dem Bereich weg, wo Sie das Werkzeug betankt haben. Legen Sie den Rasentrimmer auf einem sauberen Untergrund ab und achten Sie darauf, dass das Schneidwerkzeug nicht in Kontakt mit dem Erdboden oder anderen Gegenständen steht.

WARNUNG: Beachten Sie, dass sich das Schneidwerkzeug sofort nach dem Motorstart zu drehen beginnt.

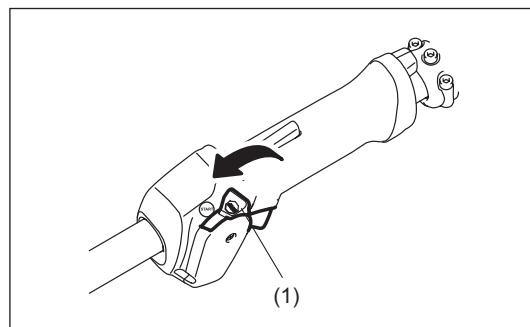
Kaltstart

- Stellen Sie den Start-Stopp-Schalter (1) wie abgebildet auf Startposition.
- Erfassen Sie den Griff (der Sicherheits-Entsperrehebel (2) wird durch Handdruck aktiviert).
- Drücken Sie den Gashebel (3) und halten Sie ihn gedrückt.
- Setzen Sie den Start-Stopp-Schalter (1) in die Startposition und lassen Sie den Gashebel los und lassen Sie dann den Start-Stopp-Schalter los (Der Start-Stopp-Schalter hält den Gashebel in der Startposition).



Warmstart

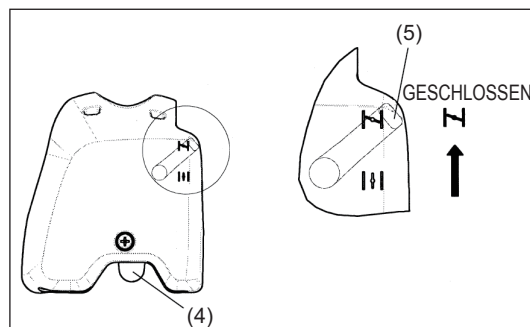
- Stellen Sie den Start-Stopp-Schalter (1) wie abgebildet auf Neutralposition.



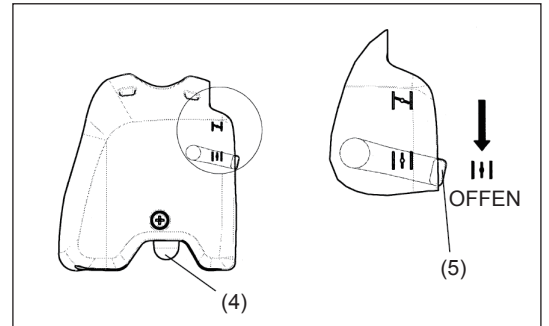
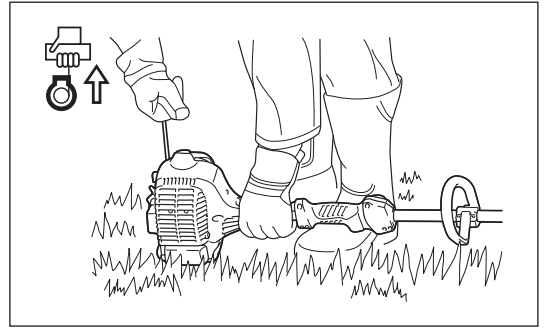
- Legen Sie zuerst das Werkzeug auf dem Boden ab.
- Drücken Sie die Anlasseinspritzpumpe (4) mehrmals (7 bis 10 Mal) leicht, bis Kraftstoff in die Anlasseinspritzpumpe gelangt.
- Schließen Sie den Choke-Hebel (5).

Öffnen des Chokes:

- Bei kalten Temperaturen oder wenn der Motor kalt ist, ist der Choke völlig geschlossen.
- Bei einem erneuten Start bei noch warmen Motor ist der Choke völlig oder halb geöffnet.



- Halten Sie das Kupplungsgehäuse sicher mit der linken Hand fest (siehe Abbildung).
- Ziehen Sie den Startergriff langsam, bis Sie einen Widerstand spüren, und ziehen Sie ihn dann kräftig.
- Ziehen Sie das Starterseil nicht bis zur vollen Länge heraus, und verhindern Sie, dass sich der Startergriff selbst einzieht. Halten Sie das Starterseil unter Kontrolle und gewährleisten Sie ein langsames Einziehen.
- Wiederholen Sie den Startvorgang, bis Sie die ersten Zündungen des Motors hören.
- Drücken Sie auf den Choke-Hebel (5) (|↑|) und ziehen Sie das Starterseil erneut, bis der Motor startet.
- Tippen Sie sofort nach dem Start des Motors den Gashebel an und lassen ihn los, dadurch wird die Halbdrossel-Verriegelung freigegeben und der Motor läuft im Leerlauf.
- Lassen Sie den Motor für etwa eine Minute mit einer recht niedrigen Drehzahl laufen, bevor Sie den Motor voll belasten.



- HINWEIS: – Wenn Sie den Startergriff wiederholt ziehen und der Choke-Hebel sich in der Position „|↑|“ befindet, wird der Motorstart aufgrund der übermäßigen Kraftstoffaufnahme erschwert.
- Falls übermäßig Kraftstoff aufgenommen wird, entfernen Sie die Zündkerze und ziehen Sie den Startergriff langsam, um den überschüssigen Kraftstoff zu entfernen. Trocknen Sie außerdem die Elektroden der Zündkerze.

Vorsichtsmaßnahmen bei Betrieb:

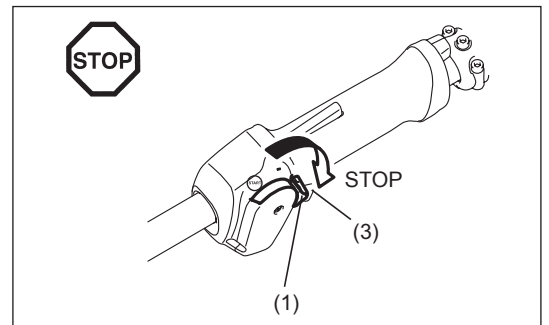
Falls der Gashebel während des lastlosen Betriebs vollständig geöffnet ist, erhöht sich die Motordrehzahl auf 10.000 min⁻¹ oder mehr. Betreiben Sie den Motor nie mit einer höheren Drehzahl als erforderlich, und halten Sie die Drehzahl bei etwa 6.000 - 8.000 min⁻¹.

ACHTUNG: Reduzieren Sie die Motordrehzahl immer, wenn Sie gerade nicht mit dem Werkzeug arbeiten.

Der Betrieb des Werkzeugs bei höheren Drehzahlen ohne Belastung verkürzt die Lebenszeit des Werkzeugs.

Stoppen

- Lassen Sie den Gashebel (3) vollkommen los und drücken Sie, wenn sich die Motordrehzahl verlangsamt hat, den Start-Stopp-Schalter (1) in die Position „STOP“, um den Motor zu stoppen.
- Beachten Sie, dass der Schneidkopf nicht sofort stoppt. Warten Sie stets, bis dieser langsamer wird und von selbst stoppt.

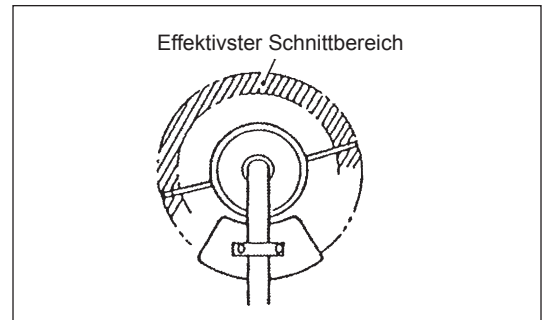


NYLON-SCHNEIDKOPF

Der Nylon-Schneidkopf ist ein Trimmerkopf mit zwei Nylonfäden, die durch das Aufstoßen des Schneidkopfs weiter aus dem Schneidkopf heraustreten. Der Nylonfaden tritt weiter aus dem Nylon-Schneidkopf heraus, nachdem der Schneidkopf bei niedriger Drehzahl auf den Boden aufgestoßen wird.

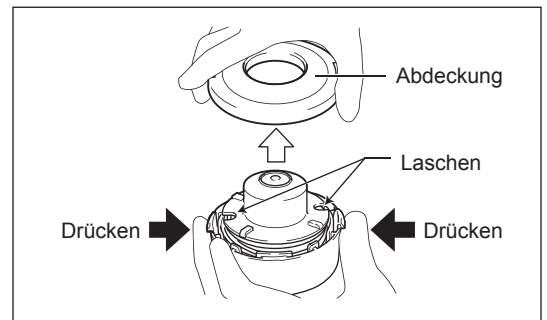
Betrieb

- Der effektivste Schnittbereich ist schraffiert dargestellt.
- Damit der Nylonfaden aus dem Schneidkopf austritt, erhöhen Sie die Drehzahl des Nylon-Schneidkopfes auf ca. 6.000 min^{-1} und stoßen Sie den Nylon-Schneidkopf leicht auf den Boden auf.
- Falls der Nylonfaden nicht durch Aufstoßen des Nylon-Schneidkopfs auf den Boden herausgeführt werden kann, spulen Sie den Nylonfaden neu auf oder tauschen Sie ihn aus, indem Sie die im Abschnitt „Austauschen des Nylonfadens“ beschriebenen Schritte durchführen.

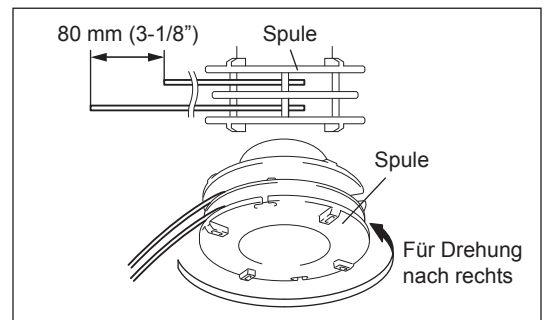


Austauschen des Nylonfadens

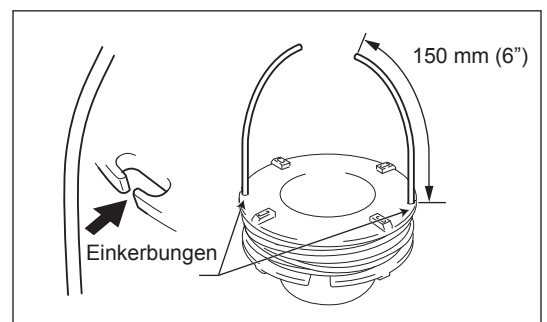
- Stoppen Sie den Motor.
- Drücken Sie die Laschen nach innen, um die Abdeckung anzuheben und die Spule zu entfernen.



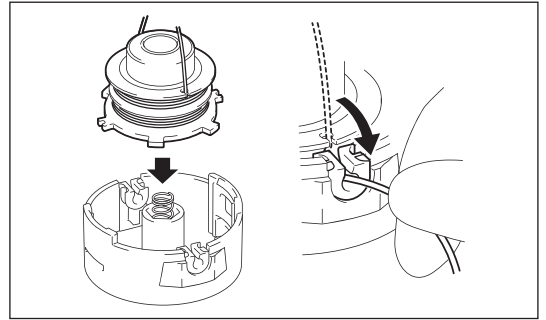
- Haken Sie die Mitte des Nylonfadens in die Kerbe in der Mitte der Spule ein, das eine Ende des Fadens muss etwa 80 mm länger als das andere sein. Winden Sie anschließend beide Enden fest um die Spule in Richtung der Kopfdrehung (Rechtsdrehung durch „RH“ an der Seite der Spule gekennzeichnet).



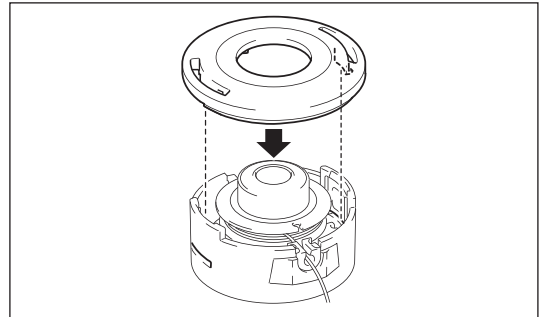
- Winden Sie etwa 150 mm des Fadens um die Spule und lassen Sie die Enden vorübergehend in der Einkerbung an der Seite der Spule eingehängt.



- Führen Sie die Fäden durch die Ösen aus dem Gehäuse heraus. Montieren Sie die Unterlegscheibe, Feder und Spule im Gehäuse.



- Richten Sie die Haken auf der Abdeckung mit dem Gehäuse aus. Drücken Sie dann die Abdeckung fest auf das Gehäuse, um sie zu sichern.



WARTUNGSANWEISUNGEN

Wartungsanweisungen

ACHTUNG: Schalten Sie vor allen Wartungsarbeiten am Rasentrimmer den Motor aus und ziehen Sie den Zündkerzenstecker von der Zündkerze ab (siehe „Überprüfen der Zündkerze“). Tragen Sie immer Schutzhandschuhe.

ACHTUNG: Bauen Sie den Rückstoßstarter niemals selbst aus. Zuwiderhandlungen können zu Unfällen führen. Diese Arbeiten sollten nur von autorisierten Servicezentren durchgeführt werden.

Führen Sie die folgenden Wartungsarbeiten regelmäßig durch, um eine lange Lebenszeit zu erzielen und Beschädigungen des Werkzeugs zu vermeiden.

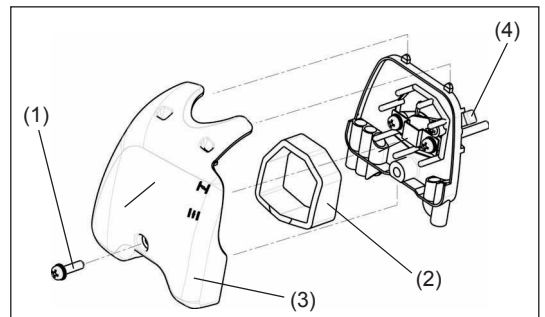
Tägliche Inspektionen und Wartungsarbeiten

- Überprüfen Sie vor dem Betrieb das Werkzeug auf lose Schrauben und fehlende Teile. Achten Sie besonders auf den festen Sitz des Schneidmessers bzw. des Fadenschnittkopfes.
- Überprüfen Sie vor jedem Betrieb, dass die Kühlluftdurchgänge und Zylinderlamellen nicht verstopft sind. Reinigen Sie diese gegebenenfalls.
- Führen Sie die folgenden Wartungsarbeiten täglich nach der Arbeit durch:
 - Reinigen Sie den Rasentrimmer äußerlich und überprüfen Sie ihn auf Beschädigungen.
 - Reinigen Sie den Luftfilter. Wenn Sie unter sehr staubigen Bedingungen arbeiten, reinigen Sie den Filter mehrmals am Tag.
 - Überprüfen Sie das Schneidmesser bzw. den Nylon-Schneidkopf auf Beschädigungen und auf ordnungsgemäßen Sitz.
 - Prüfen Sie, dass der Abstand zwischen Leerlauf- und Betriebsdrehzahlen ausreichend ist, damit das Werkzeug bei Leerlauf des Motors im Stillstand ist (reduzieren Sie bei Bedarf die Leerlaufdrehzahl).
Falls sich das Schneidwerkzeug während des Leerlaufs des Motors weiter dreht, wenden Sie sich an das nächste autorisierte Servicezentrum.
- Prüfen Sie den Start-Stopp-Schalter, den Entriegelungshebel, den Regelungshebel und die Verriegelungstaste auf ordnungsgemäße Funktionsweise.

Reinigen des Luftfilters

- Drehen Sie den Choke-Hebel (4) vollständig zu, und halten Sie den Vergaser fern von Staub oder Schmutz.
- Entfernen Sie die Schraube (1).
- Nehmen Sie die Luftfilterabdeckung (3) ab.
- Entfernen Sie den Schwammeinsatz (2), waschen Sie diesen in lauwarmem Wasser und trocknen Sie diesen vollständig.
- Setzen Sie nach dem Reinigen den Luftfilterdeckel (3) wieder auf und befestigen Sie ihn mit der Schraube (1).

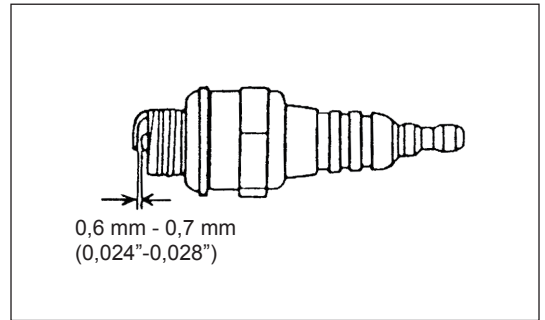
HINWEIS: Sollten übermäßiger Staub und Schmutz am Luftfilter anhaften, reinigen Sie den Luftfilter täglich. Ein verstopfter Luftfilter kann dazu führen, dass der Motor nur schwer oder gar nicht gestartet werden kann, oder dass die Motordrehzahl nicht erhöht werden kann.



Überprüfen der Zündkerze

- Schrauben Sie die Zündkerze ausschließlich mit dem mitgelieferten Universalschlüssel heraus und ein.
- Der Abstand zwischen den Elektroden der Zündkerze muss zwischen 0,6 und 0,7 mm liegen. Wenn der Abstand zu klein oder zu groß ist, korrigieren Sie den Abstand. Falls die Zündkerze durch Ruß oder Schmutz verunreinigt ist, säubern Sie diese gründlich oder ersetzen Sie sie.

ACHTUNG: Berühren Sie bei laufendem Motor niemals den Zündkerzenstecker (Gefahr eines Hochspannungsschlags).

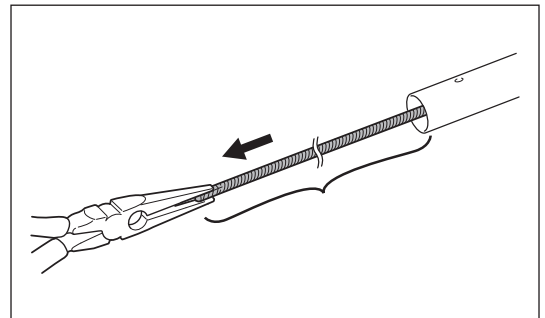
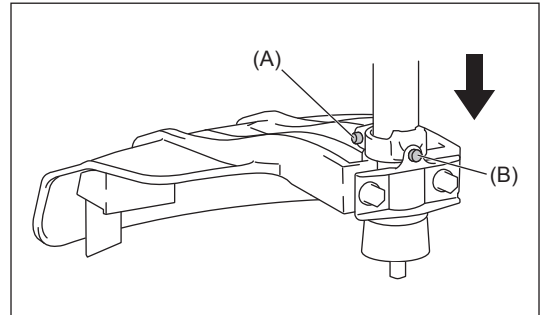


Schmieren der flexiblen Welle

- Schmieren Sie die flexible Welle alle 50 Betriebsstunden mit Schmierfett (Shell Alvania 2 bzw. gleichwertig). (Originales DOLMAR-Schmierfett erhalten Sie bei Ihrem DOLMAR-Händler.)

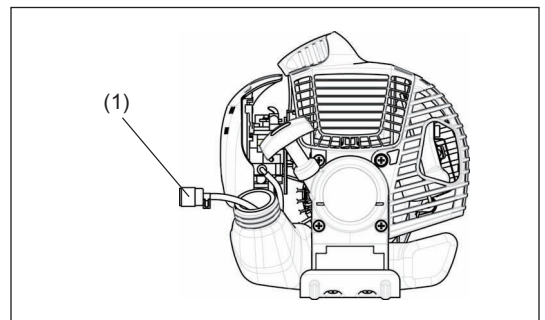
Führen Sie zum Auftragen des Schmierfetts die folgenden Schritte durch:

1. Entfernen Sie die Schrauben (A) und (B).
2. Nehmen Sie die Kopfeinheit vom Schaftrohr ab.
3. Ziehen Sie die flexible Welle von Hand heraus und tragen Sie Schmierfett auf.



Ansaugkopf im Kraftstofftank

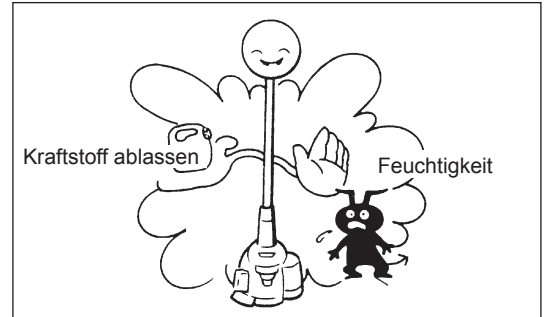
- Mit dem Kraftstofffilter (1) des Ansaugkopfes wird der benötigte Kraftstoff in den Vergaser geleitet.
- Führen Sie regelmäßig eine Sichtprüfung des Kraftstofffilters durch. Für die Inspektion des Filters öffnen Sie den Deckel des Tankeinfüllstutzens und ziehen Sie mit einem Drahhaken den Ansaugkopf durch die Tanköffnung. Ersetzen Sie den Filter, falls dieser verhärtet, schmutzig oder verstopft ist.
- Eine unzureichende Kraftstoffzufuhr kann dazu führen, dass die maximal zulässige Drehzahl überschritten wird. Aus diesem Grund muss der Kraftstofffilter mindestens quartalsweise ersetzt werden, um eine zufriedenstellende Kraftstoffzufuhr zum Vergaser zu gewährleisten.



Alle weiteren Wartungsarbeiten oder Einstellungen, die in diesem Handbuch nicht beschrieben wurden, müssen von autorisierten Servicezentren durchgeführt werden.

AUFBEWAHRUNG

- Wenn Sie das Werkzeug über einen längeren Zeitraum lagern, lassen Sie den gesamten Kraftstoff aus den Tank und dem Vergaser ab. Lassen Sie dazu einfach den Kraftstoff aus dem Tank ab. Entsorgen Sie den abgelassenen Kraftstoff gemäß den örtlichen Bestimmungen.
- Entfernen Sie die Zündkerze und geben Sie einige wenige Tropfen Öl in die Zündkerzenöffnung. Ziehen Sie anschließend den Starter leicht, sodass das Öl die Innenseite des Motors bedeckt und ziehen Sie dann die Zündkerze fest.
- Entfernen Sie Staub und Schmutz vom Schneidmesser und dem Äußeren des Motors und reiben Sie diese mit einem ölgetränkten Tuch ein. Lagern Sie das Werkzeug an einem trockenem Platz.



Wartungsplan

Allgemein	Motorbaugruppe, Schrauben und Muttern	Sichtprüfung auf Beschädigungen und festen Sitz Überprüfen von allgemeinem Zustand und Sicherheit
Nach jedem Betanken	Gashebel Start-Stopp-Schalter	Funktionsprüfung Funktionsprüfung
Täglich	Luftfilter Kühlluftkanal Schneidwerkzeug Leerlaufdrehzahl	Reinigen Reinigen Prüfen auf Beschädigungen und Schärfe Überprüfen (Schneidwerkzeug darf sich nicht bewegen)
Wöchentlich	Zündkerze Schalldämpfer	Inspektion, ggf. Austausch Inspektion und Reinigung der Öffnung bei Bedarf
Quartalsweise	Ansaugkopf Kraftstofftank	Austauschen Reinigen
Vorgehen für Stilllegung	Kraftstofftank Vergaser	Kraftstofftank leeren Betreiben des Motors, bis der Kraftstoff vollständig verbraucht ist

Fehlersuche

Problem	System	Beobachtung	Ursache
Motor startet nicht oder nur schwer	Zündsystem	Zündfunke OK	Fehler in der Kraftstoffzufuhr oder im Verdichtungssystem, mechanischer Defekt
		Kein Zündfunke	Start-Stopp-Schalter betätigt, Fehler oder Kurzschluss in Verdrahtung, Zündkerze oder Zündkerzenstecker defekt, Zündmodul defekt
	Kraftstoffzufuhr	Kraftstofftank gefüllt	Falsche Choke-Position, Vergaser defekt, Kraftstoff-Zufuhrleitung verbogen oder blockiert, Kraftstoff verschmutzt
	Verdichtung	Keine Verdichtung beim Durchziehen	Zylinderkopfdichtung defekt, Kurbelwellendichtungen beschädigt, Zylinder oder Kolbenringe defekt oder ungeeignete Dichtung an der Zündkerze
Probleme bei Warmstart	Mechanischer Fehler	Starter greift nicht ein	Gebrochene Starterfeder, gebrochenen Teile innerhalb des Motors
		Tank gefüllt Zündfunke OK	Vergaser verschmutzt, muss gereinigt werden
Motor startet, geht jedoch gleich wieder aus	Kraftstoffzufuhr	Tank gefüllt	Falsche Leerlaufeinstellung, Vergaser verschmutzt Problem mit Lüftungsöffnung im Kraftstofftank, Kraftstoff-Zufuhrleitung unterbrochen, Kabel oder Start-Stopp-Schalter defekt
Unzureichende Leistung	Möglicherweise sind mehrere Systeme gleichzeitig betroffen.	Motorleerlaufdrehzahl zu niedrig	Luftfilter verschmutzt, Vergaser verschmutzt, Schalldämpfer verstopft, Auslasskanal im Zylinder verstopft

Köszönjük, hogy a DOLMAR szerszámgépet választotta. Nagy öröm számunkra, hogy bemutathatjuk a DOLMAR szerszámgépet, amely egy hosszú fejlesztési program eredménye, és több év alatt felhalmozódott ismeretanyag felhasználásával készült.

Kérjük olvassa el ezt a füzetet, ami részletesen bemutatja azokat a pontokat, amelyek bizonyítják a kiemelkedő teljesítményt. Ez a segítségére lesz, hogy a lehető legjobb teljesítményt érje el a DOLMAR géppel.



Tartalomjegyzék	oldal
Szimbólumok.....	72
Biztonsági utasítások.....	73
Műszaki adatok.....	76
Alkatrészek megnevezése.....	77
A fogantyú felszerelése.....	78
A védőburkolat felszerelése.....	78
A nejlonszálás vágófej felszerelése.....	78
Üzemanyag/utántöltés.....	79
Indítás/leállítás.....	80
Nejlonszálás vágófej.....	82
Szervizelési utasítások.....	83
Tárolás.....	85

SZIMBÓLUMOK

A használati utasítás olvasása közben a következő szimbólumokkal találkozhat.

	Olvassa el a használati utasítást, és tartsa be a figyelmeztetéseket és biztonsági utasításokat!		Viseljen sisakot, szem- és hallásvédő eszközt.
	Legyen különösen elővigyázatos és figyelmes!		Szerszám legnagyobb megengedett fordulatszáma
	Tilos!		Üzemanyag (benzin)
	Tartson biztonságos távolságot!		Kézi indítású motor
	Repülő tárgyak veszélye!		Vészleállítás
	Dohányozni tilos!		Elsősegély
	Nyílt láng használata tilos!		BE/INDÍTÁS
	Védőkesztyű használata kötelező!		KI/LEÁLLÍTÁS
	Viseljen csúszásmentes védőlábbit. Acélbetétes lábbeli viselete javasolt!		Ne használjon fém pengéket
	A működési területtől tartson távol minden személyt és állatot!		

BIZTONSÁGI UTASÍTÁSOK

Általános tudnivalók

- Olvassa el a használati utasítást, hogy megismerkedjen a gép kezelésével. A hiányos ismeretekkel rendelkező kezelő a helytelen kezelés miatt saját magára és más személyekre is veszélyt jelent.
- Csak olyan embereknek adja kölcsön a gépet, akik bizonyítottan tapasztaltak annak használatában.
A géppel együtt mindig adja át a használati utasítást is.
- Kezdő felhasználóknak először a forgalmazóhoz kell fordulniuk a szegélyvágó kezelésével kapcsolatos alapvető tudnivalók elsajátításáért.
- A gyermekek és a 18 év alatti fiatalok nem használhatják a gépet. 16 év feletti személyek a gyakorlat elsajátítása végett egy szakképzett betanító felügyelete mellett használhatják a szerszámot.
- Különös elővigyázatossággal és figyelemmel használja a gépet.
- Csak jó fizikai állapotban használja a gépet. Minden munkát nyugodtan és elővigyázatosan végezzen. A gép használója másokért is felelős.
- Soha ne használja a gépet alkohol vagy kábítószer hatása alatt, illetve ha betegnek vagy fáradtnak érzi magát.
- A nemzeti előírások korlátozhatják a gép használatát.

A gép rendeltetésszerű használata

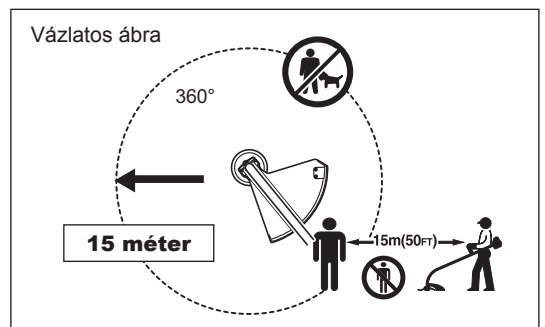
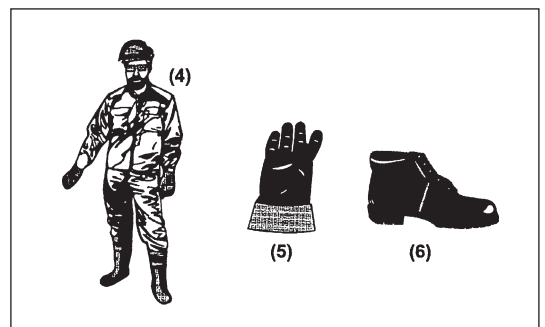
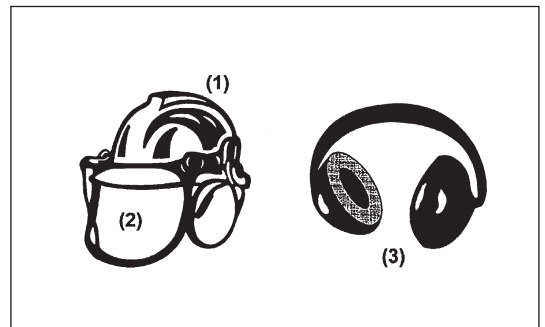
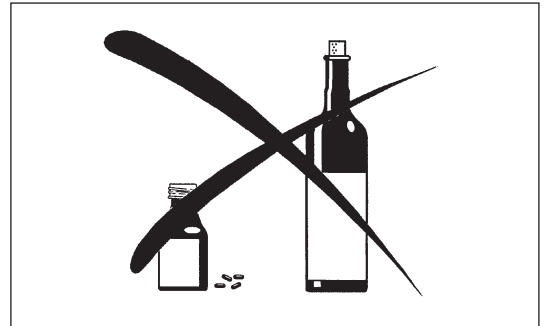
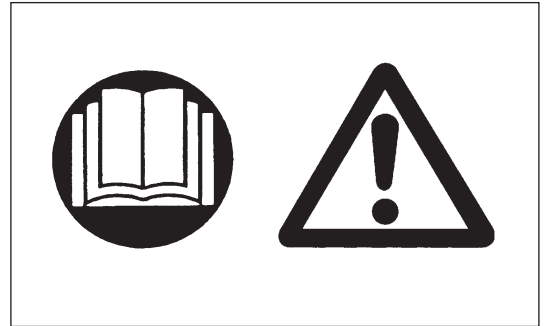
- A gép rendeltetésszerűen kizárólag fű és vékony gyomok vágására használható. A gép nem használható egyéb célokra, például szélezésre vagy sövénynyírásra, mivel ez sérüléshez vezethet.

Személyi védőeszközök

- A ruházat legyen megfelelő és funkcionális, azaz legyen testhezálló, de ne gátolja a munkában. Ne viseljen ékszert vagy laza ruhadarabot, ezek ugyanis beakadhatnak a bozótba vagy az ágakba.
- Annak érdekében, hogy a gép használatakor elkerülhetőek legyenek a fej-, a szem-, a kéz- és a lábsérülések, valamint a halláskárosodás, viselni kell az alábbi védőeszközöket és védőruházatot.
- A lezuhanó tárgyak kockázata miatt mindig viseljen védősisakot. A védősisakot (1) rendszeresen meg kell vizsgálni, hogy nem károsodott, és legkésőbb 5 év elteltével ki kell cserélni. Kizárólag jóváhagyott, engedélyezett sisakot szabad használni.
- A védősisak arcvédője (2) (vagy esetleg védőszemüveg) megvédi az arcát a repülő hulladékoktól és kövektől. A szemsérülések elkerülése érdekében mindig viseljen védőszemüveget vagy arcvédőt.
- A halláskárosodások elkerülése végett arra alkalmas hallásvédő eszközöket (fülvédő (3), fül dugó stb.) kell használni.
- A munkaruha (4) megvédi a repülő kövektől és hulladékoktól. Határozottan ajánljuk, hogy a kezelő viseljen munka overallt.
- A kesztyű (5) az előírt védőfelszerelés részét képezi, és a gép használata során állandóan hordani kell.
- A gép használatakor mindig mindig csúszásmentes, merev cipőt (6) viseljen. Ez biztos állást nyújt, és véd a sérülések ellen.

A benzinmotoros szegélyvágó beindítása

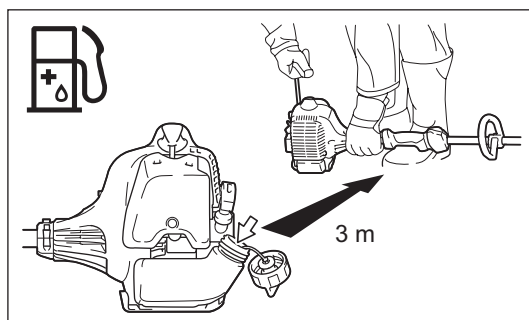
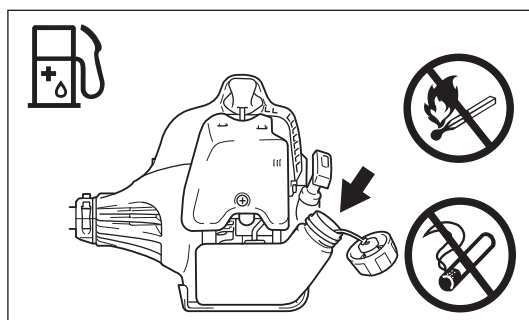
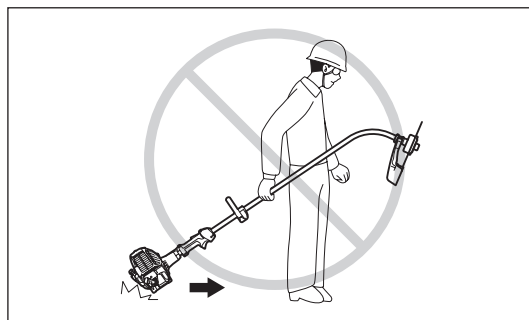
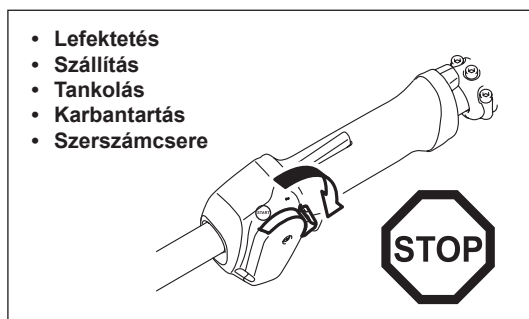
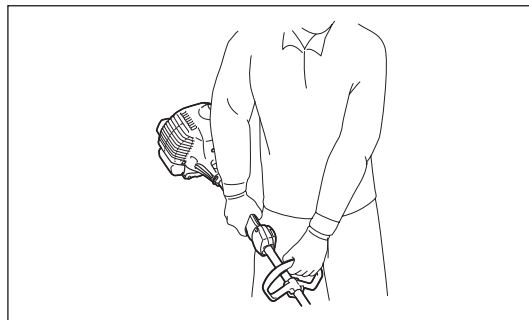
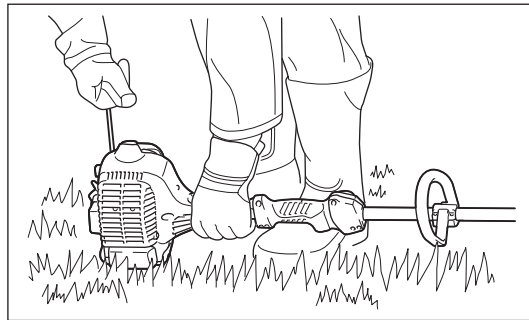
- Ügyeljen rá, hogy 15 méteres munkakörnyezetben ne legyenek gyerekek vagy más emberek, és figyeljen arra is, hogy állatok se legyenek a munkakörnyezetben.
- Használat előtt ellenőrizze, hogy a gép biztonságosan üzemeltethető-e: Ellenőrizze a szegélynyíró tartozék rögzítését, a gázkar könnyű járását, és ellenőrizze a gázkar reteszelőjének megfelelő működését.
- Üresjárati sebességen a szegélynyíró tartozék forgása nem engedélyezett. Ha bizonytalan lenne ezzel kapcsolatban, ellenőriztesse a beállítást a márkakereskedővel. Ellenőrizze a fogantyúk tisztaságát és szárazságát, és tesztelje az indítás/leállítás kapcsoló működését.



- A benzinmotoros szegélyvágót mindig az utasításoknak megfelelően indítsa be.
- Ne használjon más módszert a motor beindítására!
- A benzinmotoros szegélyvágót és a szerszámokat csak az adott alkalmazásra használja.
- A motort csak a teljes összeszerelés után indítsa be. A gépet csak az összes megfelelő tartozék felszerelése után szabad használni!
- A beindítás előtt ellenőrizze, hogy a szegélynyíró tartozék nem érintkezik-e kemény tárgyakkal, mint például ágakkal, kövekkel stb., mert ilyen esetben a szegélynyíró tartozék indításkor elkezd forogni.
- Bármilyen motorhiba esetén azonnal kapcsolja ki a motort.
- A szegélynyíró tartozék kövel vagy kemény tárggyal való ütközésekor azonnal állítsa le a motort és vizsgálja át a szegélynyíró tartozékot.
- Gyakran vizsgálja meg a szegélynyíró tartozékokat, nem sérültek-e meg (hajszárepedések keresése megkondítással).
- Ha a gépet erős ütés éri, illetve leesik, a munka folytatása előtt ellenőrizze állapotát. Ellenőrizze, hogy az üzemanyag-ellátó rendszer szivárog-e, továbbá ellenőrizze, hogy a vezérlőelemek és biztonsági eszközök helyesen működnek-e. Ha bármilyen sérülést észlel, vagy felmerül annak gyanúja, ellenőrzésért és javításért forduljon a hivatalos szervizközpontunkhoz.
- Használat közben mindig két kézzel tartsa a benzinmotoros szegélyvágót. Használat közben soha ne tartsa egy kézzel a szegélyvágót. Mindig biztosan álljon a talajon.
- Úgy használja a gépet, hogy ne lélegezze be a kipufogógázokat. Zárt szobákban soha ne működtesse a motort (gázmérgezés veszélye). A szén-monoxid szagtalan gáz.
- Állítsa le a motort, ha leteszi vagy felügyelet nélkül hagyja a gépet, és olyan biztonságos helyre tegye, ahol nem veszélyeztet másokat és nem sérülhet meg.
- A forró benzinmotoros szegélyvágót soha ne tegye száraz fűre vagy bármilyen gyúlékony anyagra.
- Mindig a jóváhagyott szegélynyíró tartozék védőburkolatot helyezze fel a szerszámra, mielőtt elindítja a motort. Ellenkező esetben a szegélynyíró tartozékkal való érintkezés súlyos sérüléshez vezethet.
- A géphez adott összes védelmi felszerelést és védőburkolatot használni kell.
- Meghibásodott kipufogóval soha ne használja a motort.
- Szállítás közben állítsa le a motort.
- Járműben való szállításkor az üzemanyag-szivárgás megelőzése érdekében tartsa biztonságos helyzetben a gépet.
- Szállításkor győződjön meg arról, hogy az üzemanyagtartály teljesen üres.
- A gép járműből való kivételekor a motort soha ne dobja le a földre, mert az üzemanyagtartály komoly sérülését okozhatja.
- Vészhelyzettől eltérítve, soha ne ejtse le vagy dobja le a földre a gépet, mivel ez annak súlyos károsodásával járhat.
- A gép mozgatáskor ne felejtse el, hogy a teljes gépet fel kell emelni a földről. Az üzemanyagtartály húzása nagyon veszélyes dolog, és sérülést, illetve üzemanyag-szivárgást eredményezhet, ami tüzet okozhat.

Tankolás

- Tankolás közben állítsa le a motort, tartsa távol nyílt lángtól, és ne dohányozzon.
- Kerülje az ásványolaj termékek bőrrel való érintkezését. Ne lélegezze be az üzemanyag gőzét. Tankolás közben viseljen védőkesztyűt. Rendszeres időközönként cserélje, és tisztítsa meg a védőruházatot.
- Ügyeljen arra, hogy a talaj szennyeződésének elkerülése érdekében ne fröccsenjen ki olaj vagy üzemanyag (környezetvédelem). Az üzemanyag kifröccsenésekor azonnal tisztítsa meg a benzinmotoros szegélyvágót.
- Kerülje az üzemanyag ruhával való érintkezését. Az üzemanyag ruhára való fröccsenésekor azonnal cseréljen ruhát (a ruha meggyulladásának megelőzése érdekében).
- Rendszeres időközönként ellenőrizze, hogy a tanksapka jól zár-e és nem szivárog.
- Óvatosan húzza meg az üzemanyagtartály sapkáját. A motor indítását egy másik helyen végezze (legalább 3 méteres távolságban az üzemanyagbetöltés helyszínétől).
- Zárt helyiségekben soha ne tankoljon. Az üzemanyag gőzei a talaj közelében gyűlnek össze (robbanásveszély).
- Az üzemanyagot csak arra engedélyezett kannákban szállítsa és tárolja. Gyerekektől zárva tárolja az üzemanyagot.



A használat módja

- Csak jó megvilágítás és látási viszonyok mellett használja a gépet. Télen figyeljen a csúszós vagy nedves területekre, a jégre és a hóra (csúszásveszély). Mindig biztosan álljon a talajon.
- Soha ne végezzen vágást derékmagasság felett.
- Soha ne álljon rá létrára.
- Ne másszon fára, hogy azon metszési munkát végezzen.
- Instabil talajon soha sem szabad dolgozni.
- Távolítsa el a munkaterületen található homokot, köveket, szegeket stb.
- A fűnyírás elkezdése előtt a szegélynyíró tartozékoknak el kell érnie a teljes üzemi sebességet.
- Egyenletesen mozgassa a benzinmotoros szegélyvágót. Amennyiben fű vagy gallyak csipődnek a szegélynyíró tartozék és a szerszámvédő közé, mindig állítsa le a motort tisztítás előtt. Ellenkező esetben a tartozék véletlenszerű forgása súlyos sérüléseket okozhat.
- Tartson pihenőt, nehogy elfáradjon, és emiatt elveszítse uralmát a gép felett. Célszerű óránként 10–20 perc pihenőt tartani.

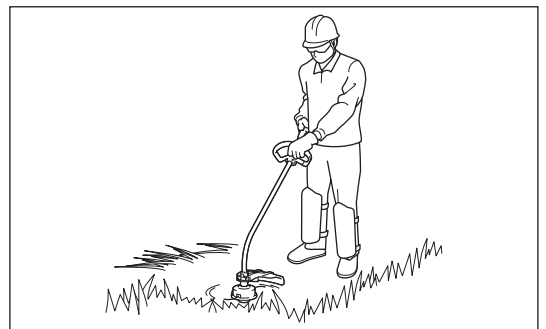


Szegélynyíró tartozékok

- Soha ne használjon más fém késeket fém többrészes csuklósláncokkal vagy lengőkéseket. Ellenkező esetben a penge súlyos sérüléseket okozhat.

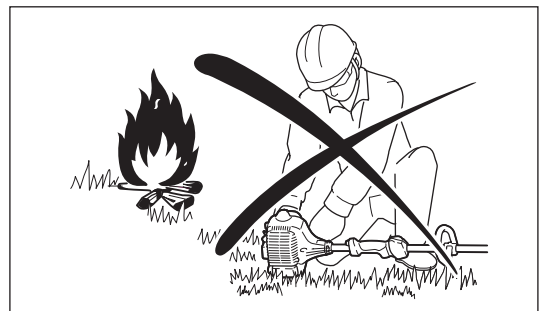
Vibráció

- A keringési rendellenességben szenvedő emberek véredényei vagy idegrendszere a túlzott mértékű rezgés hatására megsérülhetnek. A vibráció a következő tünetek megjelenését okozhatja az ujjakban, a kézben vagy a csuklóban: aluszékonyosság (zsibbadtság), bizsergő érzés, fájdalom, szúró fájdalomérzet, a bőr- vagy annak színének elváltozása. Ha ezen tünetek bármelyikét észleli önmagán, forduljon orvoshoz!
- A „fehér ujj betegség” kockázatának csökkentése érdekében, tartsa melegen kezeit a működtetés alatt, és tartsa karban a szerszámot és tartozékait.



Karbantartási útmutató

- A szerszámot hivatalos szervizközpontban szervizeltesse, és kizárólag eredeti cserealkatrészeket használjon. A helytelen javítás vagy nem megfelelő karbantartás lecsökkentheti a szerszám életét és megnöveli a balesetek kockázatát.
- A munka megkezdése előtt meg kell vizsgálni a gép állapotát, különösen a szegélynyíró tartozék védőburkolatait.
- A szegélynyíró tartozék cseréjekor és a vágó vagy a szegélynyíró tartozék tisztításakor is állítsa le a motort, és vegye le a gyújtókábelt a gyújtógyertyáról.
- Óvja a környezetet. Az alacsonyabb légszennyezés és zajkibocsátás érdekében kerülje a szükségtelen gázadásokat. A karburátort helyesen állítsa be.
- Tisztítsa meg rendszeres időközönként a gépet, és ellenőrizze a csavarok és anyák rögzítettségét.
- Tilos a gépet nyílt láng közelében karbantartani vagy tárolni.
- A gépet mindig zárt helyiségben és üres üzemanyagtartállyal tárolja.



Tartsa be a megfelelő kereskedelmi szervezetek és biztosítók által kiadott baleset-megelőzési utasításokat. Ne végezzen semmilyen módosítást a gépen, mert az veszélyeztetheti a személyes biztonságát.

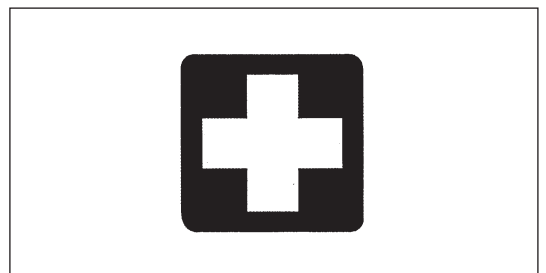
A felhasználó által csak azok a karbantartási és javítási munkák végezhetők, amelyek a használati utasításban szerepelnek. Minden más műveletet a hivatalos szervizzel kell elvégeztetni. Csak eredeti, a DOLMAR által kiadott és szállított alkatrészeket és tartozékokat használjon. A nem engedélyezett tartozékok és szerszámok használata növeli a balesetveszélyt. A DOLMAR nem vállal felelősséget a nem engedélyezett szegélynyíró tartozékok és a vágóeszköz szegélynyíró tartozék vagy tartozékok használata miatti bekövetkező balesetek vagy károk miatt.

Elsősegély

Ügyeljen rá, hogy baleset esetére legyen egy mentődoboz a vágási műveletektől környezetében. Az elsősegélydobozból kivett eszközöket azonnal pótolni kell.

Ha segítséget kell hívni, adja meg az alábbi információkat:

- A baleset helyszíne
- Mi történt
- A sérült személyek száma
- A sérülés típusa
- Az Ön neve



Csak európai országokra vonatkozóan

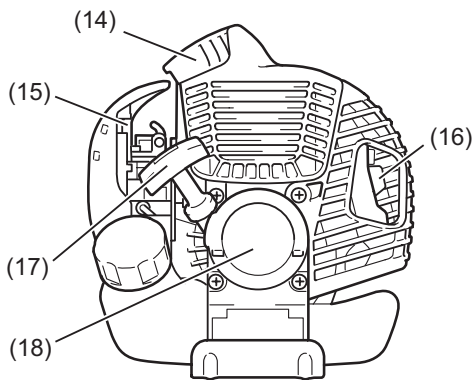
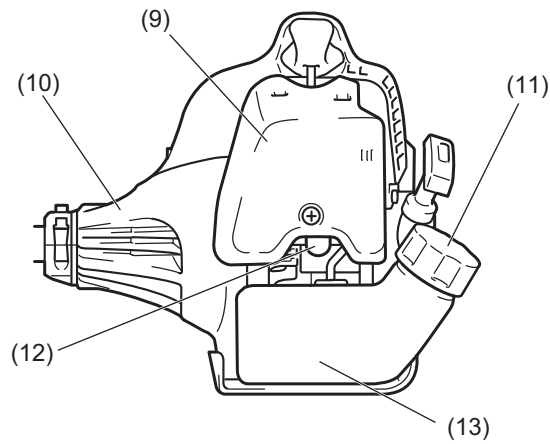
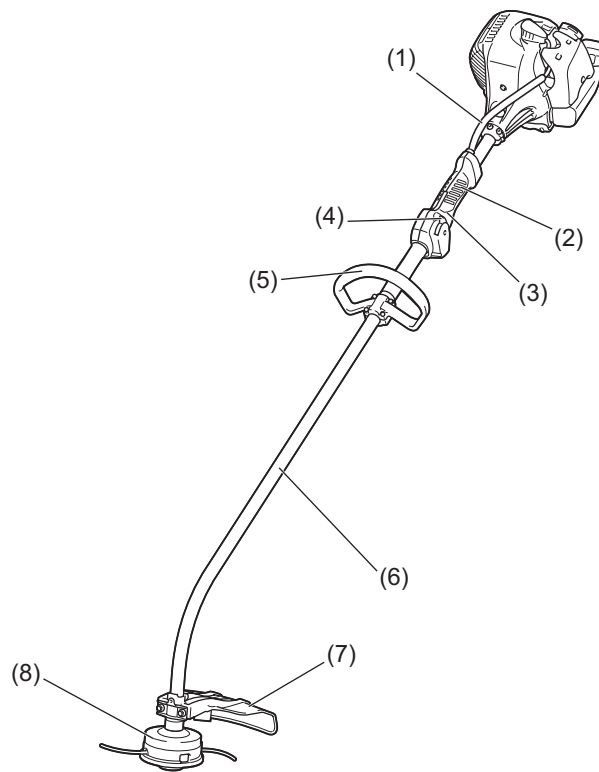
EK Megfeleléségi nyilatkozat

Az EK Megfeleléségi nyilatkozatot az A függelék tartalmazza a jelen használati útmutatóban.

MŰSZAKI ADATOK

Típus		LT-27		
Fogantyú típusa		Kengyelfogantyú		
Méretek: hosszúság x szélesség x magasság (vágószerszám nélkül)	mm	1645 x 220 x 510		
Nettó tömeg	kg	4,3		
Motor típusa		Léghűtéses, kétütemű, egyhengeres		
Motor lökettérfogata	cm ³	25,7		
Maximális motorteljesítmény	kW	0,83		
Az orsó maximális fordulatszáma	ford./perc	10 000		
Vágási átmérő nejlonszál vágófejjel	mm	φ 400		
Üresjárat fordulat/szám	/perc	3000		
Tengelykapcsoló kapcsolási fordulatszáma	/perc	4100		
Üzemanyag		Kevert üzemanyagok Benzin: Kétütemű motorolaj = 50:1		
Úrtartalom (üzemanyagtartály)	l	0,6		
Karbúrátor		WALBRO WYC		
Gyújtógyertya		NGK BPMR7A		
Elektródahézag		mm	0,6–0,7	
Vibráció az ISO 22867 szabvány szerint	Jobb fogantyú (hátsó markolat)	$a_{hv\ eq}$	m/s ²	5,074
		Tűrés (K)	m/s ²	1,5
	Bal fogantyú (elülső markolat)	$a_{hv\ eq}$	m/s ²	3,853
		Tűrés (K)	m/s ²	1,5
Átlagos hangnyomásszint az ISO 22868 szerint		$L_{PA\ eq}$	dB (A)	91,30
		Tűrés (K)	dB (A)	0,85
Átlagos hangteljesítményszint az ISO 22868 szerint		$L_{WA\ eq}$	dB (A)	111,30
		Tűrés (K)	dB (A)	0,85

ALKATRÉSZEK MEGNEVEZÉSE



Alkatrészek megnevezése	
1	Gázbovden
2	Hátsó markolat
3	Vezérlőkar
4	Indító-leállító kapcsoló
5	Fogantyú
6	Tengely
7	Védőburkolat (vágószerszám védőburkolat)
8	Nejlonszálalás vágófej
9	Légszűrőház burkolata
10	Tengelykapcsoló ház
11	Üzemanyagtartály-sapka
12	Üzemanyag-szivattyú
13	Üzemanyagtartály
14	Gyújtógyertya
15	Hidegindító kar
16	Kipufogó hangtompítója
17	Indítófogantyú
18	Berántószerkezet

A FOGANTYÚ FELSZERELÉSE

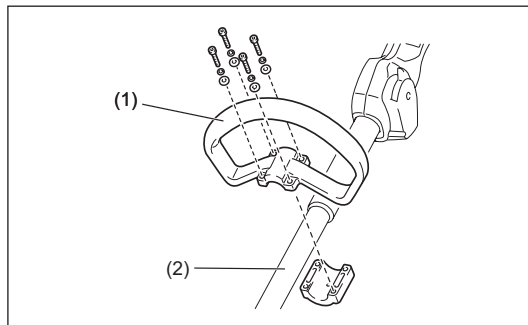
⚠ VIGYÁZAT: Mindig állítsa le a motort, és húzza le a gyújtógyertyát a gépen történő bármilyen munkavégzés előtt.
Mindig viseljen védőkesztyűt!

⚠ VIGYÁZAT: A motort csak akkor indítsa be, ha a gépet már teljesen összeszerelte.

Kengyelfogantyús gépekhez

- Rögzítse a kengyel fogantyút (1) a tengelyre (2).
- A tengely csövén lévő távtartó a markolatszerelvény és a másik markolat között helyezkedjen el. Ne távolítsa el és ne rövidítse meg a távtartót.

MEGJEGYZÉS: Egyes országokban nem tartozik a géphez távtartó. Ilyen esetben a fogantyút a nyilakkal jelzett vonal távolabbi végéhez szerelje fel.



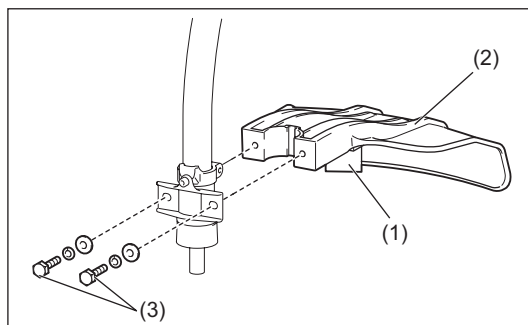
A VÉDŐBURKOLAT FELSZERELÉSE

A vonatkozó biztonsági előírások betartása érdekében csak a táblázatban megadott vágószerszám/védőburkolat kombinációk használhatók.

⚠ VIGYÁZAT: Ne érintse meg a védőburkolaton (2) lévő szálvágót (1). A szálvágó pusztán kézzel történő érintése sérüléshez vezethet.

A védőburkolat egyrészt biztosítja a nejlonszegélynyíró szál állandó hosszát, másrészt a kezelőt védi a kirepülő kövektől és törmeléktől. A védőburkolat felszerelése az alábbi módon történik.

1. Állítsa be úgy a védőburkolatot, hogy a tengelyen található borda a védőburkolat hornyába illeszkedjen.
2. Húzza meg a két csavart (3).



A NEJLONSZÁLÁS VÁGÓFEJ FELSZERELÉSE

⚠ FIGYELEM: Ne használjon fémpengéket.

Kizárólag eredeti DOLMAR nejlonszálás vágófejet építsen be.

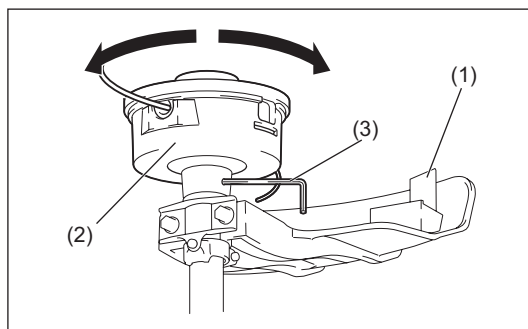
- Ha a nejlonszálás vágófej használat közben kőbe ütközik, azonnal állítsa le a motort, és ellenőrizze a nejlonszálás vágófejet.

⚠ VIGYÁZAT: Ne érintse meg a védőburkolaton lévő szálvágót (1). A szálvágó pusztán kézzel történő érintése sérüléshez vezethet.

Szerelje fel a nejlonszálás vágófejet (2) az alábbi módon.

1. A bilincsen lévő furaton keresztül helyezze be az imbuszkulcsot (3). Befelé nyomva forgassa el az imbuszkulcsot az alátéttel együtt ütközésig.
2. Az óramutató járásával egyező irányban csavarja fel a nejlonszálás vágófejet a tengelyre. Ügyeljen arra, hogy stabilan legyen rögzítve.
3. Vegye ki az imbuszkulcsot.

A nejlonszálás vágófejet az óramutató járásával ellenkező irányba elforgatva tudja lecsavarni.



ÜZEMANYAG/UTÁNTÖLTÉS

Az üzemanyag kezelése

Üzemanyagok kezelése során a legnagyobb körültekintéssel járjon el. Az üzemanyag oldószerekhez hasonló anyagokat tartalmazhat. Az üzemanyag-betöltést végezze jól szellőző helyen vagy a szabadban. Ne lélegezze be az üzemanyag gőzét, és ügyeljen arra, hogy ne kerüljön a bőrére üzemanyag vagy olaj.

Az ásványolaj termékek és az olajok is elvonják a bőr zsírtartalmát. A bőrnek ezekkel a termékekkel való tartós érintkezése erős bőrszárazságot okozhat, ami különféle bőrbetegségekhez vezethet. Allergiás reakciók is előfordulhatnak. Olaj szembe kerülése irritációkhoz vezethet. Ha az olaj a szembe kerül, azonnal öblítse át a szemet tiszta vízzel. Ha az irritáció továbbra is fennáll, azonnal keresse fel az orvost.



Tanulmányozza át a 73. oldalon található biztonsági tudnivalókat.

Keverék üzemanyag

A szegélyvágó motorja nagy teljesítményű, kétütemű motor. Ez a motor benzin és kétütemű motorolaj keverékével működik. A motor legalább 91-es minimális kísérleti oktánszámú (RON), normál ólommentes üzemanyaggal működtethető. Az optimális motorteljesítmény, valamint egészsége és a környezet védelme érdekében csak ólommentes benzint használjon!

A motor kenéséhez adagoljon kétütemű motorolajat (minőségi fok: JASO FC vagy ISO EGD) a benzinhoz. A környezet védelme érdekében a motort úgy terveztük, hogy az benzin, illetve az előírt kétütemű motorolaj 50:1 arányú keverékével üzemeltethető legyen.

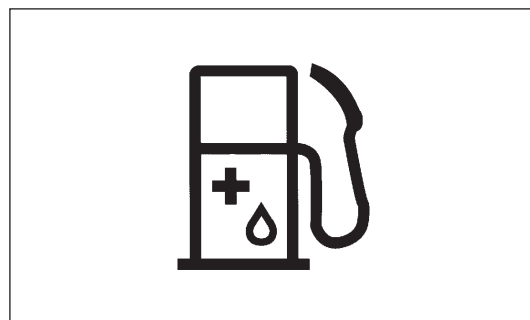
Ez a keverékarány megbízható működést, hosszú üzemidőt és minimális károsanyag-kibocsátást garantál. A szegélyvágó megbízható működése csak ennek az 50:1 keverési aránynak (a megadott kétütemű motorolajjal) a szigorú betartása esetén garantálható.



Helyes keverési arány:

Benzin: Előírt kétütemű motorolaj = 50 : 1 vagy

Benzin: Egyéb gyártó által előállított kétütemű motorolaj = 25 : 1 javasolt

MEGJEGYZÉS: A benzin-olaj keverék előállításához először a teljes olajmennyiséget keverje bele a szükséges benzinmennyiség felébe, majd adja hozzá benzin másik felét. Alaposan rázza össze a keveréket, mielőtt betölti a szegélyvágó üzemanyagtartályába. A biztonságos működés érdekében ne adjon az előírtnál több motorolajat a keverékhez. A felesleges olaj miatt több égésmaradvány keletkezik, ami szennyezi a környezetet, valamint eltömíti a henger kipufogócsatornáját és a kipufogódobot. Emellett megnő az üzemanyag-fogyasztás is és csökken a teljesítmény.

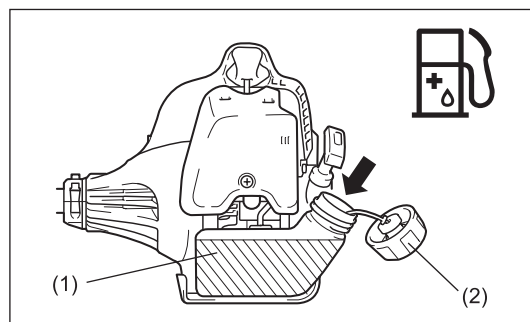


Benzin	50:1	25:1
	+	
1000 cm ³ (1 liter)	20 cm ³	40 cm ³
5000 cm ³ (5 liter)	100 cm ³	200 cm ³
10 000 cm ³ (10 liter)	200 cm ³	400 cm ³

Tankolás

A motort le kell állítani.

- Alaposan tisztítsa meg a tanksapkát (2) körüli részt, hogy ne kerülhessen szennyeződés az üzemanyagtartályba (1).
- Csavarja le a tanksapkát (2), és töltsse fel a tartályt üzemanyaggal.
- Szorosan csavarja vissza a tanksapkát (2).
- Üzemanyag-betöltés után tisztítsa meg a tanksapkát (2) és az üzemanyagtartályt.



Az üzemanyag tárolása

Az üzemanyag nem tárolható korlátlan ideig.

Csak annyi üzemanyagot szerezzen be, amennyi 4 heti használatra elegendő. Csak jóváhagyott tárolóedényt használjon.

INDÍTÁS/LEÁLLÍTÁS

Tartsa be a vonatkozó baleset-megelőzési előírásokat.

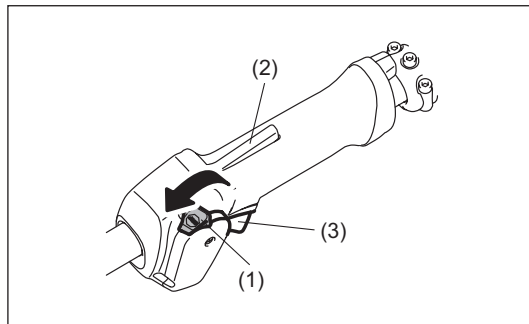
Beindítás

A tankolást követően menjen legalább 3 méterre a tankolás helyéről. A szegélyvágót tegye egy tiszta felületre a talajon, ügyelve arra, hogy a vágószerszám ne érjen a földhöz vagy más tárgyhoz.

FIGYELEM: Legyen körültekintő, mert a vágószerszám a motor beindítása után azonnal forogni kezd.

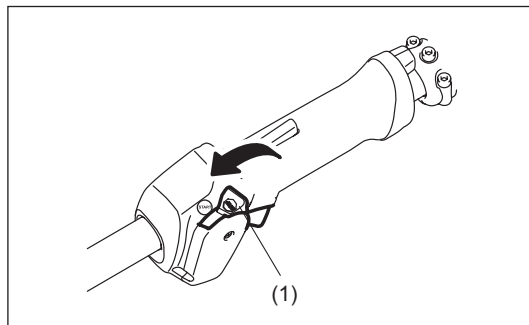
Hidegindítás

- Állítsa az Indítás/leállítás kapcsolót (1) az ábrán látható indítási állásba.
- Fogja meg a fogantyút (a megmarkolás bekapcsolja a biztonsági kioldókart (2)).
- Nyomja meg és tartsa nyomva a gázkart (3).
- Állítsa az Indítás/leállítás kapcsolót (1) indítási állásba, engedje ki a vezérlőkart, majd engedje el az Indítás/leállítás kapcsolót (az Indítás/leállítás kapcsoló indítási helyzetben tartja a gázkart).

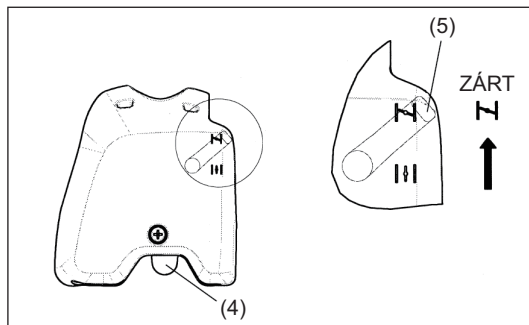


Melegindítás

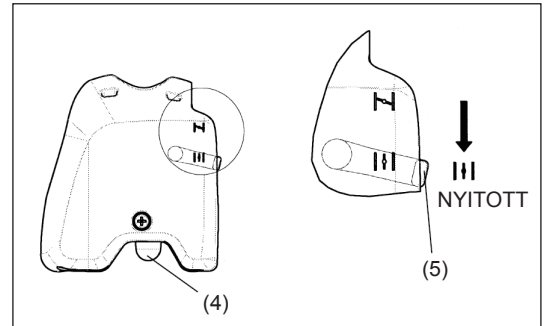
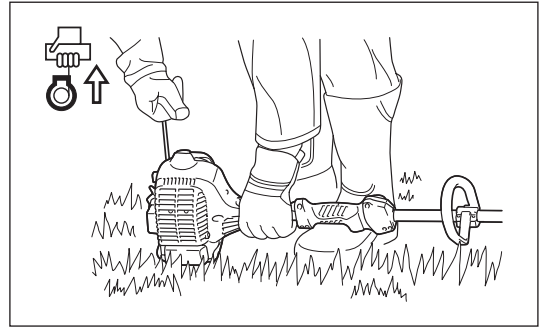
- Állítsa az Indítás/leállítás kapcsolót (1) az ábrán látható üres állásba.



- Először helyezze a gépet a talajra.
- Finoman nyomja meg párszor (7–10 alkalommal) az üzemanyag-szivattyút (4), amíg meg nem telik üzemanyaggal.
- Állítsa zárt helyzetbe a hidegindító kart (5).
 - Hidegindító szelep nyitása:
 - Hidegen vagy hideg motornál teljesen zárt
 - Meleg motor újraindításánál teljesen vagy félig nyitva



- Erősen fogja meg bal kézzel a tengelykapcsoló házát az ábrának megfelelően.
- Lassan húzza meg az indítófogantyút, amíg ellenállást nem érez, majd hirtelen húzza tovább.
- Ne húzza ki teljesen az indítózsínort, és ne engedje az indítófogantyút magától visszahúzódní. Tartsa kézben az indítózsínort, és ügyeljen annak lassú visszahúzóóására.
- Ismételje az indítási műveletet, amíg nem hallja a motor első gyújtásainak a hangját.
- Tolja fel a hidegindító kart (5) (|↑|), majd addig húzza az indítózsínort, míg a motor be nem indul.
- A motor beindulását követően azonnal nyomja meg, majd engedje el a gázkart a félgázreteszelés kioldásához, majd hagyja a motort alapljáraton műköödni.
- A teljes terhelés előtt járassa a motort körülbelül egy percig alacsonyabb fordulatszámra.



- MEGJEGYZÉS:** – Ha az indítófogantyút a hidegindító kar „|↑|” állásában többször meghúzza, akkor a túl sok beszívott üzemanyag miatt a motor nehezen fog beindulni.
- Ha a motor túlszívta magát, csavarja ki a gyújtógyertyát, és lassan húzza meg az indítófogantyút a felesleges üzemanyag eltávolításához. A gyújtógyertya elektródáját is szárítsa meg.

Figyeljen oda használat közben:

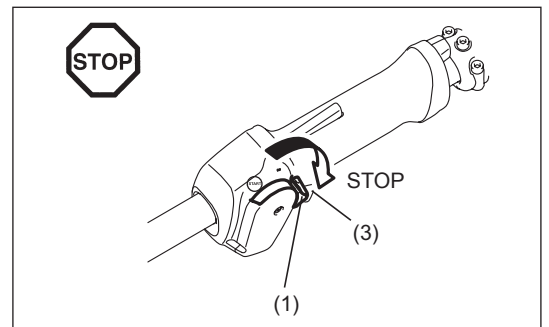
Terhelés nélkül teljes gázadáskor a motor 10 000 ford./perc fordulatszámra gyorsul. Ne üzemeltesse a szükségesnél nagyobb fordulatszámra a motort, és tartsa a fordulatszámot körülbelül 6000–8000 ford./perc értéken.

VIGYÁZAT: Mindig csökkentse a motor fordulatszámát, ha a géppel nem végez munkát.

Terhelés nélkül a magas fordulatszámra való működtetés csökkenti a gép élettartamát.

Leállítás

- Teljesen engedje el a gázkart (3), és amikor a motor fordulatszáma már alacsony, állítsa az Indítás/leállítás kapcsolót (1) „STOP” (LEÁLLÍTÁS) helyzetbe, ekkor a motor leáll.
- Figyeljen oda, mert a vágófej esetleg nem áll meg azonnal, mindig hagyja azt teljes leállításig lassulni.



NEJLONSZÁLAS VÁGÓFEJ

A nejlonszálás vágófej egy kétszálás, ütögetésre nejlonszálat adagoló mechanizmussal rendelkező vágófejből áll.

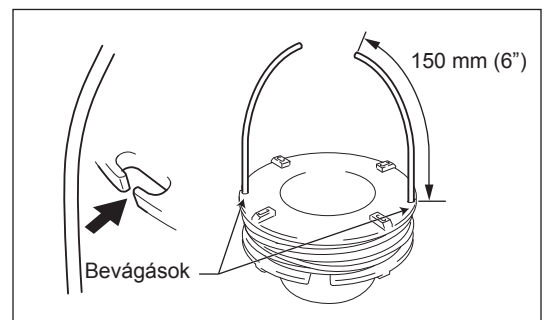
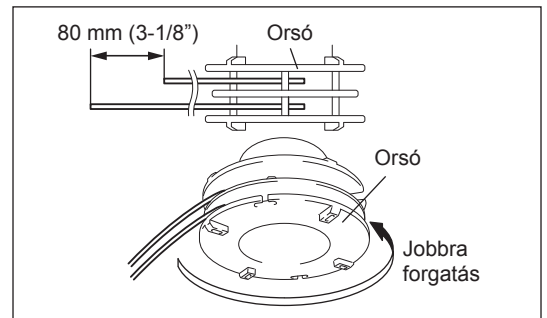
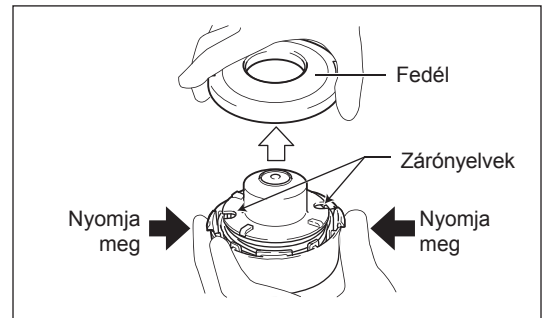
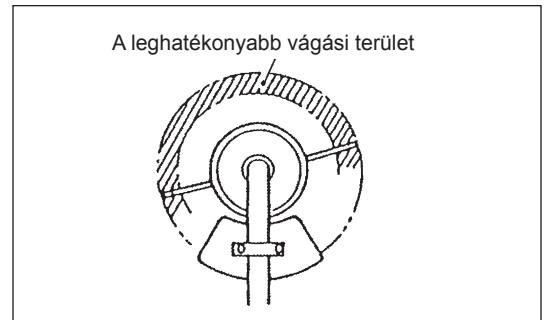
A nejlonszálás vágófej adagolja a nejlonszálat, ha a vágófejet a talajhoz ütögeti.

Használat

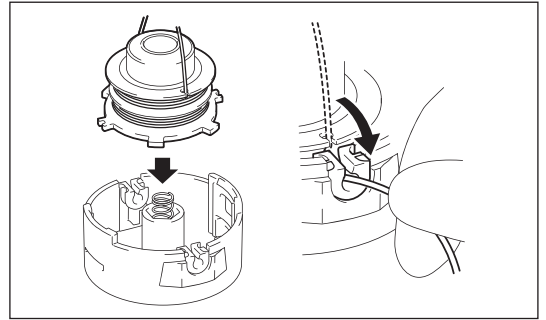
- A leghatékonyabb vágási területet az árnyékolt rész mutatja.
- A nejlonszál adagolásához növelje a nejlonszálás vágófej fordulatszámát kb. 6000 ford./perc értékre, és ütögesse oda a nejlonszálás vágófejet enyhén a földhöz.
- Ha a nejlonszálás vágófej nem adagolja a nejlonszálat ütögetésre, „A nejlonszál cseréje” részben leírt módon tekerje fel/cserélje ki a nejlonszálat.

A nejlonszál cseréje

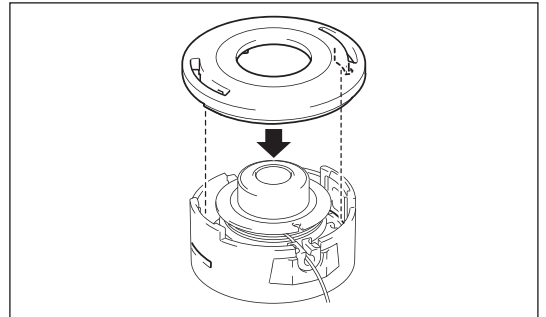
- Állítsa le a motort.
- Nyomja be a házon levő zárnyelveket a fedél leemeléséhez, majd vegye ki az orsót.
- A nejlonszál közepét akassza be az orsó közepén lévő bevágásba úgy, hogy a szál egyik vége kb. 80 mm-rel (3-1/8") hosszabb legyen, mint a másik vége. Ezután tekerje mindkét véget erősen az orsó köré a fej forgásirányával megegyezően (a balra forgást az LH, a jobbra forgást pedig az RH felirat jelzi az orsó oldalán).
- Tekerje fel az egész szálat az orsóra egy kb. 150 mm-es (6") darabot kivéve úgy, hogy a végeket ideiglenesen beakasztja az orsó szélén lévő bevágásba.



- Vezesse a szálakat a nyíláson keresztül a házra kívülre. Szerelje fel a házra az alátétet, a rugót és az orsót.



- Igazítsa a fedélen lévő hornyokat a házhoz. Ezután a rögzítéshez erősen nyomja rá a házra a fedelet.



SZERVIZELÉSI UTASÍTÁSOK

Szervizelési utasítások

VIGYÁZAT: A szegélyvágón végzett bármilyen karbantartási munka előtt mindig állítsa le a motort, és vegye le a gyújtógyertyát (lásd: „A gyújtógyertya ellenőrzése”). Mindig viseljen védőkesztyűt.

VIGYÁZAT: Soha ne szerelje le saját kezűleg a berántószerkezetet. Ez balesetet okozhat. Ezt a műveletet csak a Dolmar hivatalos szervizben végezhetik el.

A hosszú üzemidő biztosítása és a gép károsodásának elkerülése érdekében rendszeres időközönként végezze el az következő karbantartási műveleteket.

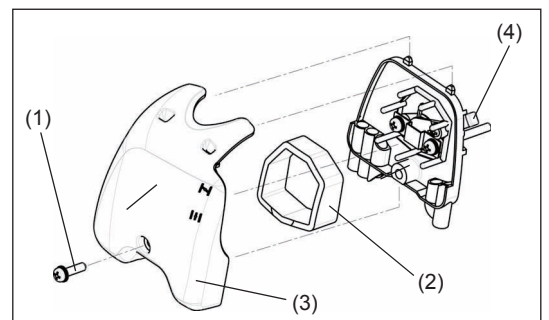
Napi ellenőrzés és karbantartás

- Használat előtt ellenőrizze, hogy a gépen nincsenek-e meglazult csavarok vagy hiányzó alkatrészek. Szenteljen különös figyelmet a vágókés vagy a nejlonszál vágófej rögzítésére.
- Használat előtt mindig győződjön meg arról, hogy a hűtőlevegő útvonala és a henger hűtőbordái nincsenek-e eltömődve. Szükség esetén tisztítsa meg ezeket.
- Használat után naponta végezze el a következő karbantartási műveleteket:
 - Tisztítsa meg a szegélyvágó külsejét, és vizsgálja meg, hogy nem találhatók-e rajta sérülések.
 - Tisztítsa meg a légszűrőt. Ha különösen poros környezetben használja a gépet, naponta többször tisztítsa a légszűrőt.
 - Ellenőrizze a vágókés vagy a nejlonszál vágófej épségét és szilárd rögzítését.
 - Ellenőrizze, hogy elégséges különbség van-e az alapjáratú és az összekapcsolási fordulatszám között, amely biztosítja a vágószerszám mozdulatlanlanságát a motor alapjáratán (szükség esetén csökkentse az üresjáratú fordulatszámot). Ha a vágószerszám alapjáraton is tovább forog, akkor forduljon a legközelebbi hivatalos szervizhez.
- Ellenőrizze az Indítás/leállítás kapcsolót, a kioldókar, a vezérlőkar és a reteszelőgomb megfelelő működését.

A légszűrőház tisztítása

- Fordítsa a hidegindító kart (4) teljesen zárt állásba. Vigyázzon, hogy a karburátorba ne kerüljön por vagy más szennyeződés.
- Távolítsa el a csavart (1).
- Vegye le a légszűrőház burkolatát (3).
- Vegye ki a szivacsbetétet (2), mossa ki kézmeleg vízzel, majd teljesen szárítsa meg.
- Tisztítás után helyezze vissza a légszűrő burkolatát (3), és rögzítse a csavarral (1).

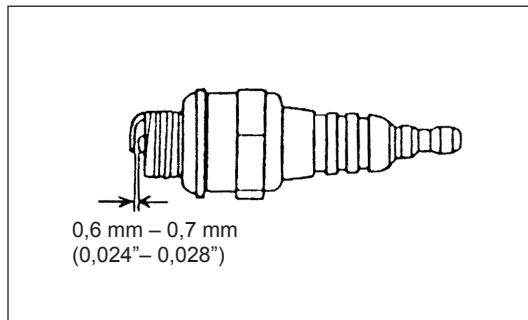
MEGJEGYZÉS: Ha különösen sok por és szennyeződés éri légszűrőt, akkor naponta tisztítsa ki. Az eltömődött légszűrő nehézkessé vagy lehetetlenné teszi a motor elindítását vagy a fordulatszám növelését.



A gyújtógyertya ellenőrzése

- A gyújtógyertya eltávolításához vagy beszereléséhez csak a mellékelt univerzális kulcsot használja.
- A gyújtógyertya két elektródja közötti távolságnak 0,6 és 0,7 mm között (0,024" – 0,028") kell lennie. Ha a hézag túl nagy vagy túl kicsi, állítsa be. Ha a gyújtógyertya szennyezett vagy szénlerakódások találhatók rajta, alaposan tisztítsa meg vagy cserélje ki.

VIGYÁZAT: Működő motornál soha ne érintse meg a gyújtógyertyát (nagyfeszültségű áramütés veszélye).

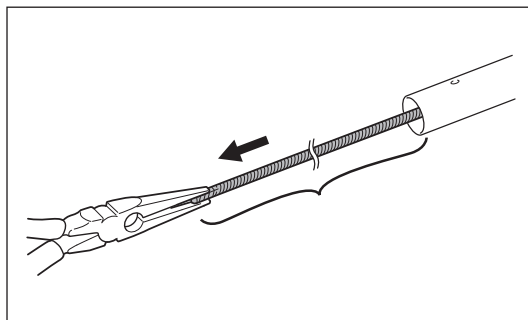
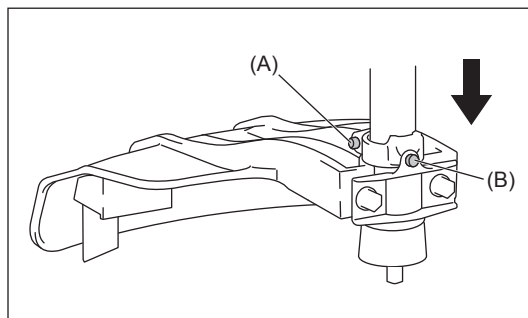


A rugalmas tengely zsírozása

- 50 üzemóránként adagoljon (Shell Alvania 2 vagy azzal egyenértékű) kenőzsírt a rugalmas tengelyre. (Eredeti DOLMAR kenőzsír a DOLMAR forgalmazótól szerezhető be.)

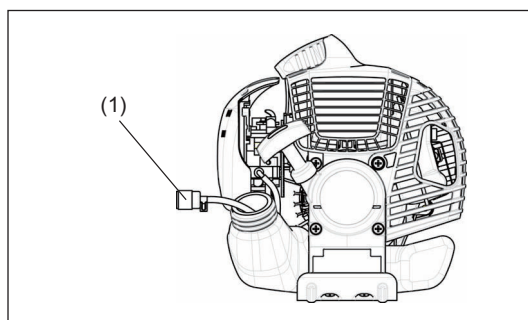
A zsírozáshoz hajtsa végre a következő lépéseket:

1. Távolítsa el az (A) és (B) csavarokat.
2. Távolítsa el a fejegységet a tengelyről.
3. Kézrel húzza ki a rugalmas tengelyt és kenje be zsírral.



Az üzemanyagtartályban lévő szívófej

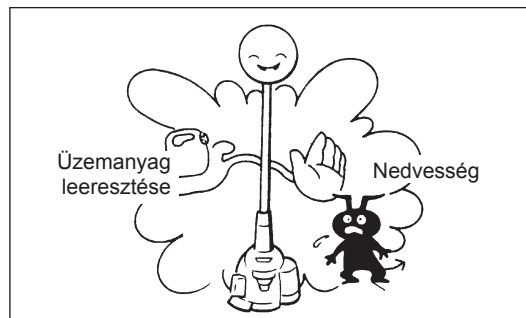
- A szívófejen levő üzemanyagszűrő (1) a karburátorba befolyó üzemanyag szűrésére szolgál.
- Szemrevételezéssel rendszeresen ellenőrizze az üzemanyagszűrőt. Ehhez vegye le az üzemanyagtartály sapkáját, és egy drótkampó segítségével húzza ki a szívófejet az üzemanyagtartály nyílásán át. Cserélje ki a szűrőt, ha megkeményedett, erőteljesen szennyezetté vált vagy eltömődött.
- Az elégtelen üzemanyag-adagolás a megengedett legnagyobb fordulatszám túllépését eredményezheti. A porlasztó megfelelő üzemanyag-ellátásának biztosítása érdekében az üzemanyagszűrőt legalább negyedévenként cserélni kell.



Azokat a karbantartási munkákat, amelyek nem szerepelnek a kezelési utasításban, csak a hivatalos szerviz végezheti el.

TÁROLÁS

- A gép hosszú időn keresztül történő tárolásához eressze le az összes üzemanyagot az üzemanyagtartályból és a karburátorból. Ehhez egyszerűen engedje le az összes üzemanyagot az üzemanyagtartályból. A leeresztett üzemanyag selejtezésekor tartsa be a vonatkozó helyi előírásokat.
- Szerelje ki a gyújtógyertyát, majd a gyújtógyertya nyílásába cseppentsen néhány csepp motorolajat. Ezután az indítózsínort finoman meghúzva járassa meg a motort az olaj motoron belüli egyenletes elosztatásához, majd szerelje vissza a gyújtógyertyát.
- Tisztítsa meg a vágókést és a motor külsejét az esetleges szennyeződésektől és portól, majd törölje le egy olajjal átitatott ruhával. Tárolja a gépet száraz helyen.



Karbantartási ütemterv

Általános teendők	Motor szerelése, csavarok és anyák	Épség és meghúzott állapot ellenőrzése szemrevételezéssel Ellenőrizze az általános állapotot és biztonságot
Minden tankolás után	Vezérlőkar Indítás/leállítás kapcsoló	Működés ellenőrzése Működés ellenőrzése
Naponta	Légszűrő Hűtőlevegő-csatorna Vágószerszám Üresjárat fordulatszám	Tisztítandó Tisztítandó Ellenőrizze az épséget és élességet Vizsgálat (a vágószerszám nem mozdulhat meg)
Hetente	Gyújtógyertya Kipufogódob	Vizsgálat, szükség esetén csere Ellenőrizze, szükség esetén tisztítsa meg a nyílást
Negyedévente	Szívófej Üzemanyagtartály	Cserélendő Tisztítandó
Leállítási eljárás	Üzemanyagtartály Karburátor	Üzemanyagtartály leürítése Járatás, amíg ki nem fogy az üzemanyag

Hibaelhárítás

Hiba	Rendszer	Hibajelenség	Ok
A motor nem indul be vagy nehezen indítható	Gyújtásrendszer	Gyújtószikra rendben	Hiba az üzemanyag-ellátásnál vagy a kompresszió, mechanikus meghibásodás.
		Nincs gyújtószikra	Az Indítás/leállítás kapcsoló kikapcsolt helyzetben van, vezetékszakadás vagy rövidzárlat, a gyújtógyertya vagy a gyújtógyertya hibás, gyújtásmodul meghibásodása
	Üzemanyag-ellátás	Az üzemanyagtartály fel van töltve	Helytelen a hidegindító szelep beállítása, a karburátor meghibásodott, az üzemanyag-továbbító csőrendszer elhajlott vagy eltömődött, szennyezett az üzemanyag
		Kompresszió	Berántáskor nem érezhető kompresszió
Melegindítási problémák	Mechanikus hiba	Az indítórendszer nem forgat	Törött a berántószerkezet rugója, törött alkatrészek a motor belsejében
		Az üzemanyagtartály fel van töltve. Gyújtószikra rendben	Eltömődött karburátor, tisztítást igényel
A motor beindul, de azután lefullad	Üzemanyag-ellátás	Az üzemanyagtartály fel van töltve	Az alapjárat beállítása rossz, eltömődött a karburátor
Elégtelen teljesítmény	Egyszerre több rendszer lehet érintett	Gyenge a motor alapjárata	Eltömődött az üzemanyagtartály szellőzése, megtört az üzemanyag-vezeték, kábelhiba vagy hibás Indítás/leállítás kapcsoló
			Eltömődött a légszűrő, eltömődött a karburátor, eltömődött a hangtompító, a henger kipufogónyílása eltömődött

Ďakujeme, že ste si zakúpili exteriérové elektrické náradie značky DOLMAR. S potešením vám odporúčame výrobok značky DOLMAR, výrobok, ktorý je výsledkom dlhodobého programu vývoja a mnohých rokov znalostí a skúseností.




















Prečítajte si prosím túto brožúru, ktorá sa podrobne odvoláva na rôzne body. Pomôže vám od vášho výrobku značky DOLMAR dosiahnuť najlepšie možné výsledky.



Obsah	Strana
Symbole.....	86
Bezpečnostné pokyny	87
Technické údaje.....	90
Označenie súčastí.....	91
Montáž rukoväti	92
Montáž chrániča	92
Montáž nylonovej sečnej hlavy.....	92
Palivo/doplňanie paliva.....	93
Spustenie/zastavenie	94
Nylonová sečná hlava	96
Pokyny na vykonávanie servisu	97
Skladovanie.....	99

SYMBOLY

Počas čítania návodu na obsluhu sa stretnete s nasledujúcimi symbolmi.

	Prečítajte si návod na obsluhu a dodržiavajte výstražné a bezpečnostné opatrenia!		Používajte ochrannú prilbu, chrániče zraku a sluchu.
	Venujte veľkú pozornosť a dávajte pozor!		Maximálne prípustné otáčky náradia max 00000min ⁻¹
	Zakázané!		Palivo (benzín)
	Dodržiavajte vzdialenosť!		Manuálne spustenie motora
	Nebezpečenstvo odlietavajúcich predmetov!		Núdzové zastavenie
	Nefajčite!		Prvá pomoc
	Nemanimulujte s otvoreným ohňom!		ZAP./ŠTART
	Je nevyhnutné používať ochranné rukavice!		VYP./STOP
	Používajte pevnú obuv s nekĺzavou podrážkou. Odporúča sa používanie bezpečnostnej obuvi s oceľovou špičkou!		Nikdy nepoužívajte kovové čepele
	Zabráňte tomu, aby sa v oblasti používania náradia vyskytovali osoby alebo zvieratá!		

BEZPEČNOSTNÉ POKYNY

Všeobecné pokyny

- Aby ste sa oboznámili s manipuláciou so zariadením, prečítajte si návod na obsluhu. Nedostatočne informovaní užívatelia pri nesprávnej manipulácii vystavujú nebezpečenstvu seba aj ostatných.
- Zariadenie sa odporúča požičiavať iba osobám s dokázateľnými skúsenosťami.
Vždy odovzdajte aj návod na obsluhu.
- Prvoužívateľa by mali predajcu požiadať o základné pokyny, aby sa oboznámili s manipuláciou so strunovou kosačkou.
- Deťom a osobám mladším ako 18 rokov nie je povolené obsluhovať toto zariadenie. Aj napriek tomu, osoby staršie ako 16 rokov smú náradie používať, a to iba na účel zaškolenia, pričom činnosť vykonávajú pod dozorom kvalifikovaného školiteľa.
- Zariadenie používajte s maximálnou opatrnosťou a pozornosťou.
- So zariadením pracujte, len ak ste v dobrom fyzickom stave. Všetky úkony vykonávajte pokojne a opatrne. Používateľ musí prevziať zodpovednosť za ostatných.
- Toto zariadenie nikdy nepoužívajte po požití alkoholu alebo liekov, alebo pokiaľ sa cítite unavení alebo chorí.
- Národné nariadenia môžu obmedzovať používanie tohto zariadenia.

Určené použitie zariadenia

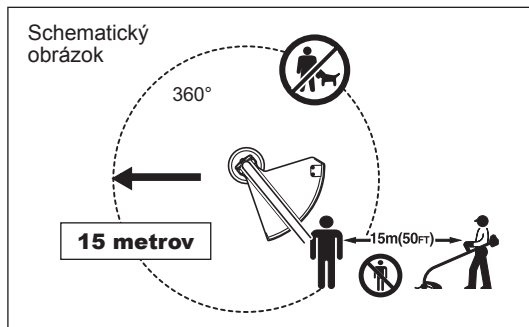
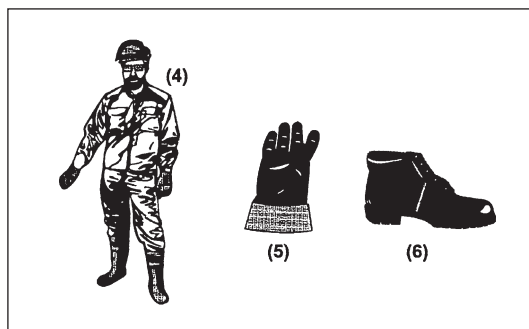
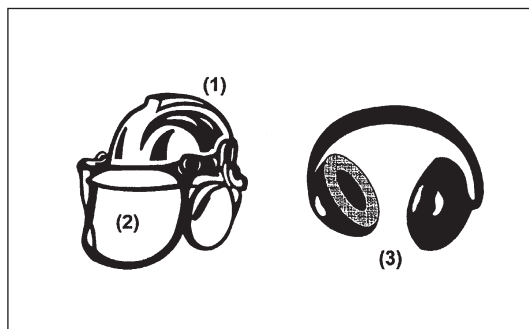
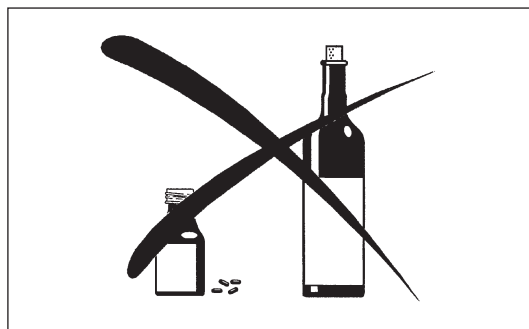
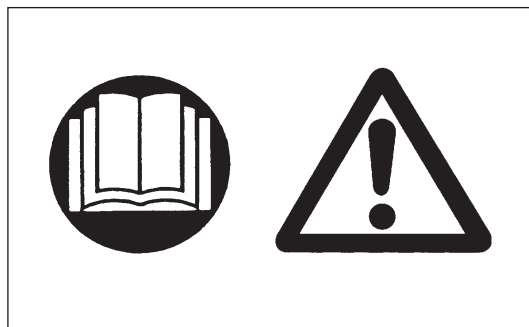
- Toto zariadenie je určené len na kosenie trávy a tenkej buriny. Zariadenie by sa nemalo používať na žiadny iný účel, ako je úprava okrajov, sekanie živých plotov, pretože by mohlo dôjsť k úrazu.

Osobné ochranné pomôcky

- Používaný odev by mal byť funkčný a vhodný, t.j. mal by byť utiahnutý, avšak nemal by spôsobovať blokovanie pohybu. Nenoste šperky ani oblečenie, ktoré by sa mohli zamotať do kríkov alebo krovín.
- Aby nedošlo k poraneniu hlavy, očí, rúk alebo nôh, ako aj na ochranu sluchu je nevyhnutné pri práci so zariadením používať nasledujúce ochranné pomôcky a ochranné odevy.
- Ak existuje riziko výskytu padajúcich predmetov, vždy používajte prilbu. Ochranná prilba (1) sa musí pravidelne kontrolovať, či nie je poškodená a musí sa vymeniť najneskôr po 5 rokoch. Používajte len schválené ochranné prilby.
- Chránidlo (2) prilby (alebo alternatívne okuliare) chráni tvár pred letiacimi úlomkami alebo kameňmi. Počas prevádzky vždy používajte ochranné okuliare alebo chránidlo s cieľom zabrániť poraneniám očí.
- Používajte primerané vybavenie na ochranu pred hlukom (kľapky na uši (3), vložky do uší a pod.), a to aby ste zabránili poškodeniu sluchu.
- Pracovné kombinézy (4) chránia pred letiacimi kameňmi a úlomkami. Vrelo odporúčame, aby užívatelia používali pracovné kombinézy.
- Rukavice (5) sú súčasťou predpísaných prostriedkov a počas vykonávania práce sa musia vždy používať.
- Pri práci so zariadením vždy používajte pevnú obuv (6) s nekĺzavou podrážkou. Takáto obuv chráni pred poraneniami a zabezpečuje dobrý postoj.

Naštartovanie benzínovej strunovej kosačky

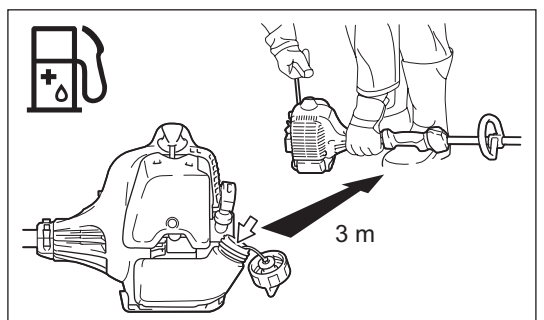
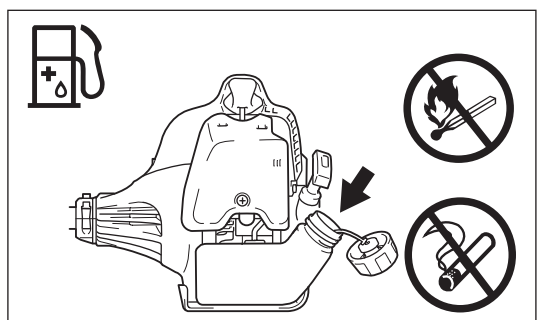
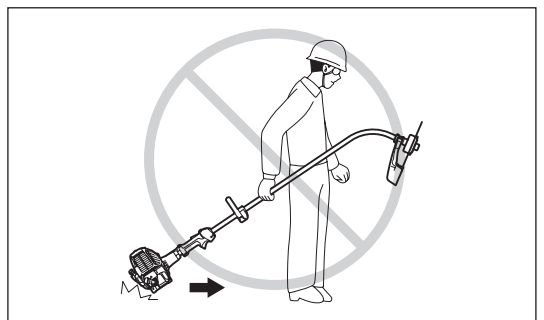
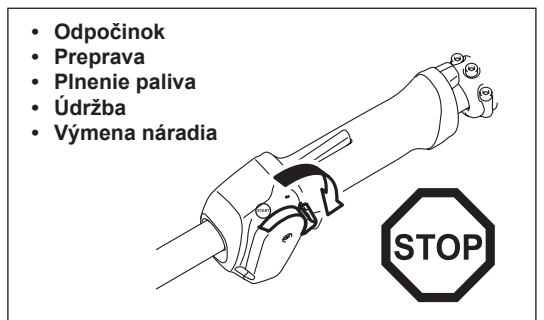
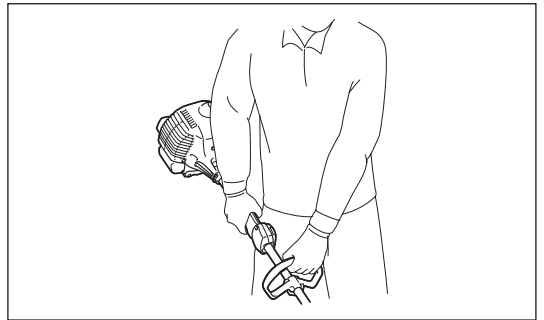
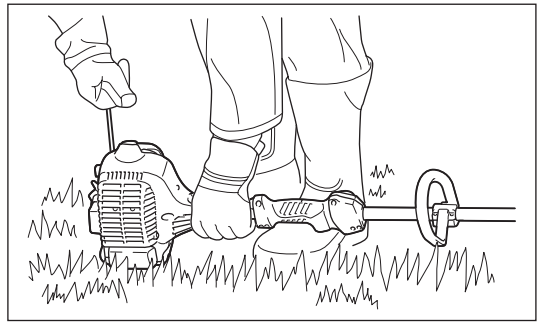
- Presvedčte sa, že v rámci pracovného dosahu 15 metrov (50 stôp) sa nenachádzajú deti alebo ľudia, a taktiež dávajte pozor na zvieratá nachádzajúce sa v okolí pracoviska.
- Pred použitím vždy skontrolujte, že zariadenie je ma prevádzku bezpečné. Skontrolujte bezpečnosť sečného príslušenstva, jednoduché ovládanie ovládacej páčky a skontrolujte správnosť fungovania poistnej páčky škrtiacej klapky.
- Otáčanie sečného príslušenstva počas voľnobehu je zakázané. Ak máte pochybnosti, o nastavenie požiadajte predajcu. Zabezpečte, aby boli rukoväti čisté a suché a skontrolujte funkciu prepínača pre zapnutie/vypnutie.



- Benzínovú strunovú kosačku spúšťajte jedine v súlade s týmito pokynmi.
- Nepoužívajte žiadny iný spôsob naštartovania motora!
- Benzínovú strunovú kosačku a náradie používajte iba na uvedené aplikácie.
- Motor spustíte jedine po kompletnom zmontovaní. Prevádzka zariadenia je dovolená jedine po namontovaní všetkých patričných doplnkov a príslušenstva!
- Pred spustením sa presvedčte, že sa sečné príslušenstvo nedotýka tvrdých predmetov, ako sú vetvy, kamene atď., pretože po naštartovaní dôjde k otáčaniu sečného príslušenstva.
- V prípade akéhokoľvek problému s motorom je nutné motor okamžite vypnúť.
- Pokiaľ sečné príslušenstvo narazí na kameň alebo iný tvrdý predmet, okamžite vypnite motor a skontrolujte sečné príslušenstvo.
- V pravidelných krátkych intervaloch kontrolujte sečné príslušenstvo z pohľadu poškodenia (zistenie vlasových trhlín pomocou zvukového testu poklepaním).
- Ak bude zariadenie vystavené silnému nárazu alebo ak spadne, pred pokračovaním práce skontrolujte stav. Palivový systém skontrolujte z pohľadu unikania a ovládacie prvky a bezpečnostné zariadenia skontrolujte z pohľadu vyskytnuvších sa chýb. V prípade výskytu poškodenia alebo v prípade pochybností požiadajte naše autorizované servisné stredisko o vykonanie kontroly a opravy.
- Počas prevádzky držte benzínovú strunovú kosačku oboma rukami. Nikdy počas používania nedržte benzínovú strunovú kosačku jednou rukou. Vždy zachovávajte bezpečný postoj.
- Zariadenie prevádzkujte takým spôsobom, aby ste zabránili vdychnutiu výfukových plynov. Motor nikdy nespúšťajte v uzatvorených miestnostiach (existuje riziko otravy plynom). Oxid uhoľnatý je plynom bez zápachu.
- Motor vypnite pokiaľ odpočívate a pokiaľ nechávate zariadenie bez dozoru; zariadenie umiestnite na bezpečné miesto, aby ste zabránili riziku ohrozenia iných osôb a poškodeniu strojného zariadenia.
- Horúcu benzínovú strunovú kosačku nikdy neukladajte na suchú trávu ani na žiadny iný horľavý materiál.
- Pred spustením motora vždy na zariadenie nainštalujte schválený chránič sečného príslušenstva. V opačnom prípade môže kontakt so sečným príslušenstvom spôsobiť vážne poranenie.
- Všetky ochranné zariadenia a chrániče dodávané so strojným zariadením sa musia počas prevádzky používať.
- Motor nikdy neprevádzkujte v prípade chybného tlmiča výfuku.
- Počas prepravy motor vypnite.
- Aby sa zabránilo unikaniu paliva počas prepravy, je potrebné zabezpečiť bezpečnú polohu zariadenia.
- Počas prepravy zariadenia vždy úplne vyprázdňte palivovú nádrž.
- Pri skladaní zariadenia z nákladného vozidla nikdy motor nenechajte spadnúť na zem, pretože môže dôjsť k vážnemu poškodeniu palivovej nádrže.
- Okrem núdzových prípadov nikdy zariadenie nenechajte spadnúť na zem, ani ho nehádzte na zem, pretože by mohlo dôjsť k vážnemu poškodeniu zariadenia.
- Počas prenášania zariadenia vždy celé zariadenie zdvihnite zo zeme. Ťahanie palivovej nádrže je veľmi nebezpečné a spôsobí jej poškodenie a unikanie paliva s možnosťou vzniku požiaru.

Plnenie paliva

- Počas plnenia paliva vypnite motor, nepribližujte sa k otvoreným plameňom a nefajčite.
- Zabráňte styku pokožky s výrobkami obsahujúcimi minerálny olej. Palivové výpary nevdychujte. Pri dopĺňaní paliva vždy používajte ochranné rukavice. Ochranný odev vymieňajte a čistite v pravidelných intervaloch.
- Dávajte pozor, aby ste nerozliali palivo alebo olej a predišli tak kontaminácii pôdy (ochrana životného prostredia). Po rozliatí paliva okamžite očistite benzínovú strunovú kosačku.
- Zabráňte akémukoľvek kontaktu paliva s vaším odevom. Pokiaľ došlo k rozliatiu paliva na odev, odev okamžite vymeňte (aby ste zabránili vznieteniu odevu).
- Uzáver palivovej nádrže kontrolujte v pravidelných intervaloch, aby ste sa presvedčili, že je bezpečne utiahnutý a neuniká cez neho palivo.
- Uzáver palivovej nádrže dôkladne utiahnite. Ak chcete naštartovať motor, zmeňte miesto (aspoň 3 metre od miesta plnenia paliva).
- Nikdy nedopĺňajte palivo v uzatvorených miestnostiach. Palivové výpary sa hromadia na úrovni zeme (riziko výbuchu).
- Palivo prepravujte a uskladňujte jedine v schválených typoch nádob. Zabezpečte, aby sa k uskladnenému palivu nedostali deti.



Spôsob prevádzky

- Zariadenie používajte jedine pri dobrom osvetlení a viditeľnosti. Počas zimného obdobia dávajte pozor na klzké alebo mokré plochy, ľad a sneh (riziko pošmyknutia). Vždy zachovávajte bezpečný postoj.
- Nikdy nesekejte nad výškou pliec.
- Nikdy nestojte na rebríku.
- Nikdy nelezte na stromy s cieľom vykonať činnosť sekania.
- Nikdy nepracujte na nestabilných povrchoch.
- Z pracovného dosahu odstráňte piesok, kamene, klnice atď.
- Pred vykonávaním sekania musí sečné príslušenstvo dosiahnuť plné prevádzkové otáčky.
- Benzínovou strunovou kosačkou mávajte rovnomerne. Ak sa medzi sečné príslušenstvo a chránič zachytí tráva alebo vetvičky, pred vyčistením vždy motor zastavte. V opačnom prípade môže náhodné otáčanie príslušenstva spôsobiť vážne poranenie.
- Aby ste predišli strate ovládania v dôsledku únavy, robte si prestávky. Odporúčame urobiť si 10 až 20-minútovú prestávku každú hodinu.

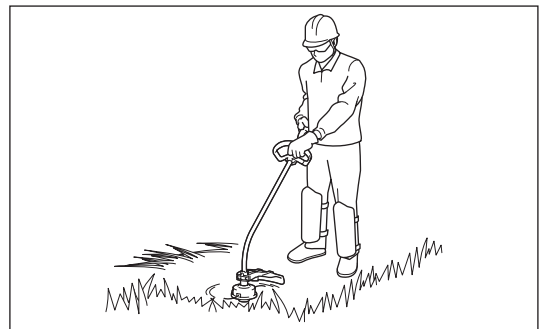


Sečné príslušenstvo

- Nikdy nepoužívajte kovové čepele, vrátane kovových viackusových otáčajúcich sa retazových ani cepových čepelí. V opačnom prípade kontakt s čepeľou môže spôsobiť vážne poranenie.

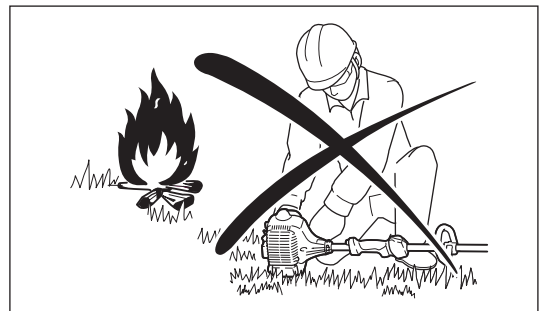
Vibrácie

- Osoby s oslabeným obehom vystavené nadmerným vibráciám môžu zaznamenať poranenie ciev alebo nervového systému. Vibrácie môžu spôsobiť nasledujúce príznaky na prstoch, rukách alebo zápästiach: „Nemožnosť pohybu“ (z necitlivenie), trpnutie, bolesť, pocit pichania, zmena sfarbenia pokožky alebo zmena pokožky. Pri ktoromkoľvek z týchto príznakov navštívte lekára!
- Aby ste znížili riziko „choroby bielych prstov“, počas prevádzky udržiavajte ruky v teple a vykonávajte správnu údržbu zariadenia a príslušenstva.



Pokyny ohľadne údržby

- Servis zariadenia zverte len autorizovanému servisnému centru a vždy používajte len originálne náhradné diely. Nesprávne vykonanie opravy a slabá údržba môžu skrátiť životnosť zariadenia a zvýšiť riziko úrazov.
- Stav zariadenia, a to hlavne sečného príslušenstva a ochranných zariadení sa musí pred začatím práce skontrolovať.
- Počas výmeny sečného príslušenstva, ako aj počas čistenia zariadenia alebo sečného príslušenstva motor vypnite a odpojte konektor zapalovacej sviečky.
- Chráňte životné prostredie. Vyhnite sa nepotrebnému používaniu škrtiacej klapky, čím dosiahnete menej znečistenia a emisií hluku. Karburátor správne nastavte.
- Zariadenie čistite v pravidelných intervaloch a skontrolujte, či sú všetky skrutky a matice dobre utiahnuté.
- Servis zariadenia nevykonávajte v blízkosti otvorených plameňov, taktiež v ich blízkosti stroj neuskładňujte.
- Zariadenie vždy uskladňujte v uzamknutých miestnostiach a s vyprázdnenou palivovou nádržou.



Dodržiavajte príslušné pokyny, ktoré súvisia s prevenciou voči nehodám a ktoré boli vydané príslušnými obchodnými združeniami a poisťovnými spoločnosťami.

Na zariadení nevykonávajte žiadne úpravy, pretože môžete takto ohroziť svoju bezpečnosť.

Vykonávanie činností súvisiacich s údržbou alebo opravou je obmedzené na tie aktivity, ktoré sú popísané v návode na obsluhu. Všetky ostatné činnosti smie vykonávať iba oprávnený servisný zástupca. Používajte jedine originálne náhradné diely a príslušenstvo uvedené do obehu a dodávané spoločnosťou DOLMAR.

Používanie neschváleného príslušenstva a náradia predstavuje zvýšené riziko nehôd.

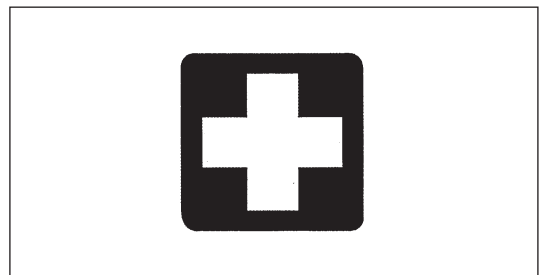
Spoločnosť DOLMAR nepreberie žiadnu zodpovednosť za nehody alebo škody spôsobené používaním neschváleného sečného príslušenstva a upevňovacích zariadení sečného príslušenstva alebo doplnkov.

Prvá pomoc

Pre prípad nehody zabezpečte, aby bola v dosahu miesta vykonávania činnosti kosenia lekárnica prvej pomoci. Všetky použité položky z lekárnice ihneď doplňte.

Pri žiadosti o poskytnutie pomoci poskytnite nasledujúce informácie:

- Miesto úrazu
- Čo sa stalo
- Počet zranených osôb
- Druh zranení
- Vaše meno



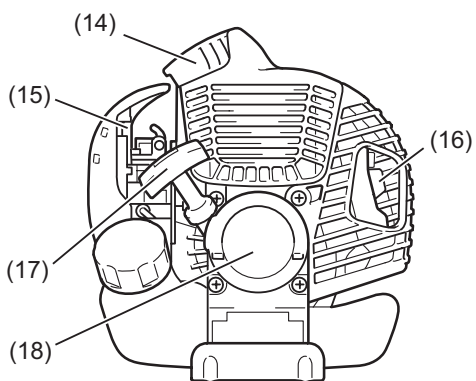
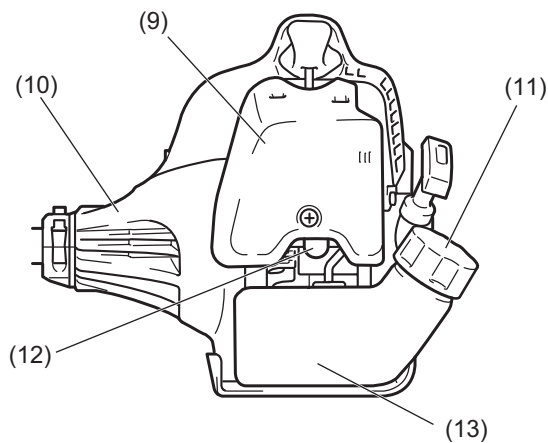
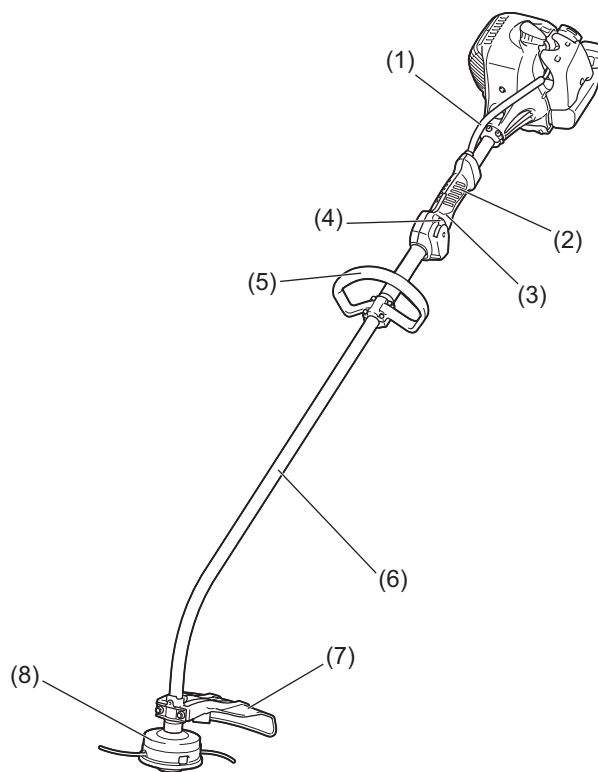
Vyhlasenie o zhode so smernicami Európskeho spoločenstva

Vyhlasenie o zhode so smernicami Európskeho spoločenstva je súčasťou prílohy A tohto návodu na obsluhu.

TECHNICKÉ ÚDAJE

Model		LT-27		
Typ rukoväti		Uzavretá rukoväť		
Rozmery: dĺžka x šírka x výška (bez sečného náradia)	mm	1645 x 220 x 510		
Čistá hmotnosť	kg	4,3		
Typ motora		Vzduchom chladený 2-taktný jednovalcový		
Zdvihový objem motora	cm ³	25,7		
Maximálny výkon motora	kW	0,83		
Maximálna rotačná frekvencia hriadeľa	min ⁻¹	10000		
Priemer záberu kosenia v prípade nylonovej sečnej hlavy	mm	φ 400		
Voľnobežné otáčky	/min	3000		
Otáčky pri zaradení spojky	/min	4100		
Palivo		Zmes plynu Benzín: motorový olej pre dvojtaktné motory = 50:1		
Objem (palivovej nádrže)	l	0,6		
Karbúrátor		WALBRO WYC		
Zapaľovacia sviečka		NGK BPMR7A		
Vzdialenosť elektród zapaľovacej sviečky		mm	0,6 – 0,7	
Vibrácie podľa normy ISO 22867	Pravá rukoväť (Zadné držadlo)	$a_{hv\ eq}$	m/s ²	5,074
		Odchýlka K	m/s ²	1,5
	Ľavá rukoväť (Predné držadlo)	$a_{hv\ eq}$	m/s ²	3,853
		Odchýlka K	m/s ²	1,5
Priemerná úroveň akustického tlaku podľa normy ISO 22868		$L_{PA\ eq}$	dB (A)	91,30
		Odchýlka K	dB (A)	0,85
Priemerná úroveň akustického výkonu podľa normy ISO 22868		$L_{WA\ eq}$	dB (A)	111,30
		Odchýlka K	dB (A)	0,85

OZNAČENIE SÚČASTÍ



Názvy súčastí	
1	Ovládací kábel
2	Zadné držadlo
3	Ovládacia páčka
4	Vypínač Start-Stop
5	Rukoväť
6	Tyč
7	Chránič (chránič sečného náradia)
8	Nylonová sečná hlava
9	Kryt vzduchového filtra
10	Skriňa spojky
11	Uzáver palivovej nádrže
12	Vstrekovacie čerpadlo
13	Palivová nádrž
14	Zapaľovacia sviečka
15	Páčka sýtiča
16	Tlmič výfuku
17	Rukoväť štartéra
18	Reakčný štartér

MONTÁŽ RUKOVÄTI

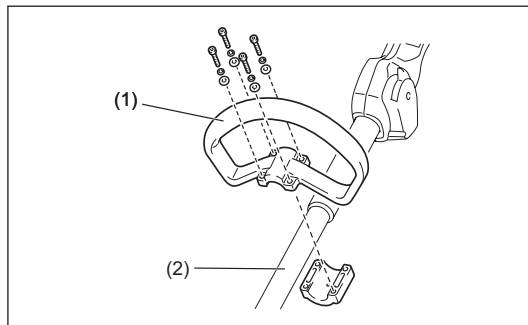
⚠ UPOZORNENIE: Pred vykonávaním akejkoľvek činnosti na zariadení vždy zastavte motor a zo zapalovacej sviečky vytiahnite konektor zapalovacej sviečky. Vždy používajte ochranné rukavice!

⚠ UPOZORNENIE: Motor naštartujte len po jeho kompletnom zmontovaní.

Pre stroje s uzavretou rukoväťou

- Na tyč (2) namontujte uzavretú rukoväť (1).
- Rozperu na rúrke tyče umiestnite medzi zostavu držadla a druhé držadlo. Rozperu nedemontujte ani ju nestláčajte.

POZNÁMKA: V niektorých krajinách sa rozpera s náradím nedodáva. V takomto prípade zarovnajte rukoväť k vzdialenejšej čiare vyznačenej šípkami.



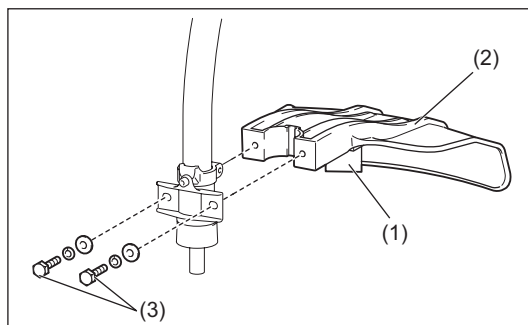
MONTÁŽ CHRÁNIČA

Aby ste dodržali platné ustanovenia o bezpečnosti, musia sa používať len kombinácie náradia/chrániča uvedené v tabuľke.

⚠ UPOZORNENIE: Nedotýkajte sa zariadenia na odseknutie struny (1) na chrániči (2). Dotknutím sa zariadenia na odseknutie struny holými rukami si môžete spôsobiť poranenie.

Chránič musí byť nainštalovaný, aby zachovával dĺžku nylonovej sečnej struny a chránil obsluhu pred odhadzovanými kameňmi a úlomkami. Chránič namontujte podľa nasledujúcich krokov.

1. Chránič nainštalujte tak, aby rebro na tyči zapadlo do drážky na chrániči.
2. Utiahnite dva svorníky (3).



MONTÁŽ NYLONOVEJ SEČNEJ HLAVY

⚠ VÝSTRAHA: Nikdy nepoužívajte kovové čepele.

Používajte originálnu nylonovú sečnú hlavu značky DOLMAR.

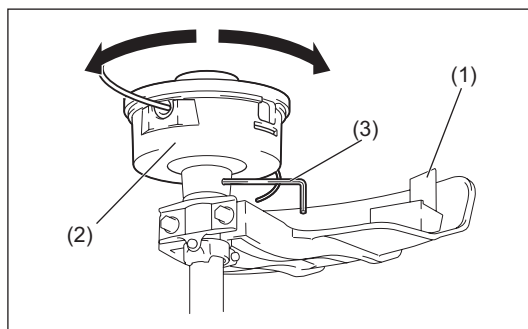
- Ak nylonová sečná hlava počas prevádzky narazí na kameň, okamžite zastavte motor a nylonovú sečnú hlavu skontrolujte.

⚠ UPOZORNENIE: Nedotýkajte sa zariadenia na odseknutie struny (1) na chrániči. Dotknutím sa zariadenia na odseknutie struny holými rukami si môžete spôsobiť poranenie.

Nylonovú sečnú hlavu (2) nainštalujte nasledujúcim spôsobom.

1. Cez otvor na svorku zasuňte poistku (3). Otáčajte ich tlačением na poistku, kým sa nezablokujú.
2. Naskrutkujte nylonovú sečnú hlavu na hriadeľ, a to otáčaním v smere hodinových ručičiek. Skontrolujte, že je bezpečne namontovaná.
3. Vytiahnite poistku.

Nylonovú sečnú hlavu demontujte jej otočením proti smeru hodinových ručičiek.



Manipulácia s palivom

Pri manipulácii s palivom je potrebné dávať maximálny pozor. Palivo môže obsahovať látky podobné rozpúšťadlám. Plnenie paliva vykonávajte v dobre vetranej miestnosti alebo vonku. Palivové výpary nevdychujte a zabráňte kontaktu paliva alebo oleja s vašou pokožkou.

Produkty minerálnych olejov odmasťujú pokožku. Pri dlhodobjšom kontakte pokožky s týmito produktmi bude vaša pokožka extrémne suchá, čo môže viesť k rôznym druhom kožných ochorení. Okrem toho sa môžu vyskytnúť alergické reakcie.

Pri kontakte s olejom môže dôjsť k podráždeniu očí. Ak sa olej dostane do očí, ihneď ich vypláchnite čistou vodou. Ak podráždenie očí pretrváva, okamžite navštívte lekára.



Dodržiavajte bezpečnostné pokyny na strane 87.

Zmes paliva a oleja

Motor strunovej kosačky je vysoko efektívny dvojtaktný motor. Je poháňaný zmesou paliva a motorového oleja pre dvojtaktné motory. Motor je navrhnutý na používanie bezolovnatých štandardných palív s minimálnym oktánovým číslom 91 RON. Aby ste dosiahli optimálny výkon motora a chránili svoje zdravie a životné prostredie, používajte iba bezolovnaté palivo!

Na mazanie motora pridajte do paliva motorový olej pre dvojtaktné motory (stupeň akosti: JASO FC alebo ISO EGD). Tento motor bol navrhnutý na používanie uvedeného motorového oleja pre dvojtaktné motory pri pomere zmesi 50:1 s cieľom chrániť životné prostredie.

Pri používaní daného pomeru zmesi palivo/olej je okrem toho možné garantovať dlhú životnosť a spoľahlivú prevádzku zariadenia ako aj minimálne emisie. Spoľahlivé fungovanie strunovej kosačky je možné garantovať len pri prísnom dodržaní tohto pomeru zmesi 50:1 (olej pre dvojtaktné motory v súlade so špecifikáciou).

Správny pomer zmesi:

Benzín: Špecifikovaný motorový olej pre dvojtaktné motory = 50 : 1 alebo

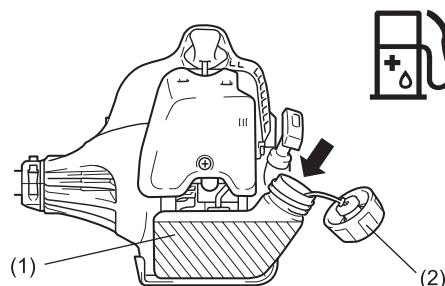
Benzín: Motorový olej pre dvojtaktné motory od iného výrobcu = 25 : 1 – odporúčaný pomer

POZNÁMKA: Na prípravu zmesi paliva a oleja najskôr zmiešajte všetok olej s polovicou požadovaného množstva paliva, potom pridajte zvyšok paliva. Pred nalieváním do palivovej nádrže strunovej kosačky zmes dôkladne pretrepte. Na zaistenie bezpečnej prevádzky nepripravajte väčšie než špecifikované množstvo motorového oleja. Dôjde tým iba k vyššej produkcii spalín, ktoré znečistia prostredie a zanesú výfukový kanál valca ako aj tlmič výfuku. Okrem toho sa zvýši spotreba paliva a zníži sa výkon.

Plnenie paliva

Motor musí byť vypnutý.

- Dôkladne očistite priestor okolo uzáveru palivovej nádrže (2), aby sa do palivovej nádrže (1) nedostali nečistoty.
- Odskrutkujte uzáver palivovej nádrže (2) a nádrž naplňte palivom.
- Uzáver palivovej nádrže (2) pevne naskrutkujte.
- Po naplnení paliva utrite naskrutkovaný uzáver palivovej nádrže (2) a samotnú nádrž.





Skladovanie paliva

Palivo sa nesmie skladovať neobmedzený čas.

Kupujte iba množstvo, ktoré je potrebné na 4-týždňovú prevádzku. Používajte len schválené nádoby na uskladnenie paliva.



Benzín	50:1	25:1
	+	
1000 cm ³ (1 liter)	20 cm ³	40 cm ³
5000 cm ³ (5 litrov)	100 cm ³	200 cm ³
10000 cm ³ (10 litrov)	200 cm ³	400 cm ³

SPUSTENIE/ZASTAVENIE

Dodržiavajte platné nariadenia o predchádzaní úrazov.

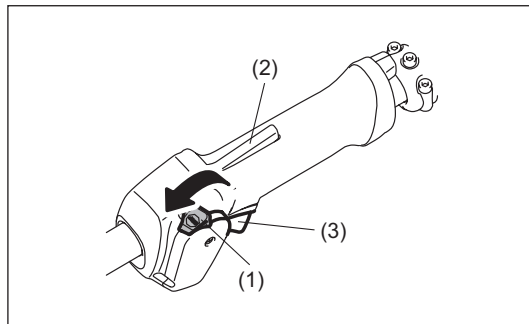
Naštartovanie

Presuňte sa aspoň 3 m od miesta, kde ste dopĺňali palivo do zariadenia. Strunovú kosačku položte na čisté miesto na zemi a dávajte pozor, aby sa sečné náradie nedotýkalo zeme ani iných predmetov.

VÝSTRAHA: Dávajte pozor, pretože sečné náradie sa začne otáčať ihneď po naštartovaní motora.

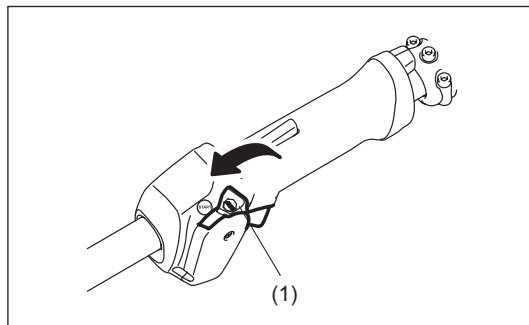
Studený štart

- Vypínač Start-Stop (1) uveďte do štartovacej polohy, ako je to znázornené na obrázku.
- Uchopte rukoväť (tlak ruky aktivuje bezpečnostnú páčku odblokovania (2)).
- Stlačte páčku škrtiacej klapky (3) a podržte ju stlačenú.
- Prepnete vypínač Start-Stop (1) do polohy na štart, uvoľnite ovládaciu páčku a potom uvoľnite vypínač Start-Stop (vypínač Start-Stop drží páčku škrtiacej klapky v polohe na štart).

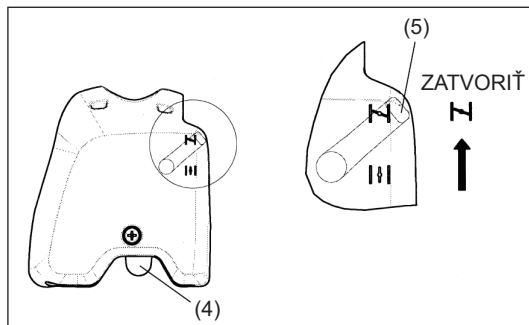



Teplý štart

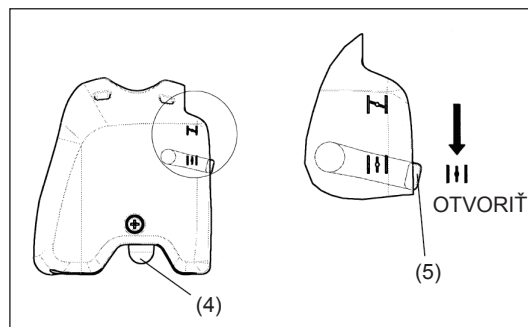
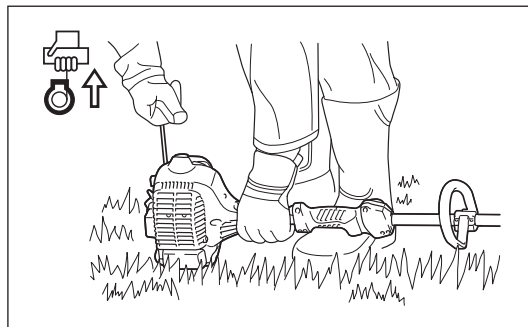
- Vypínač Start-Stop (1) uveďte do neutrálnej polohy, ako je to znázornené na obrázku.

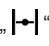


- Najprv položte zariadenie na zem.
- Opakovane jemne stláčajte vstrekovacie čerpadlo (4) (7 - 10 krát), kým sa do vstrekovacieho čerpadla nedostane palivo.
- Zatvorte páčku sýtiča (5).
 - Otvorenie sýtiča:
 - Úplné zatvorenie pri chladnom počasí alebo keď je motor chladný
 - Úplné alebo polovičné otvorenie s cieľom opätovného štartu, keď je ešte motor teplý



- Ľavou rukou pevne uchopíte skriňu spojky, ako je to znázornené na obrázku.
- Pomaly ťahajte za rukoväť štartéra, kým nepocítíte odpor; potom ťahajte prudkým pohybom.
- Lanko štartéra nevyťahujte v celej jeho dĺžke a nedovoľte, aby sa rukoväť štartéra stiahla samovoľne späť. Lanko štartéra majte pod kontrolou a dbajte na to, aby sa naspät' navíjalo pomaly.
- Postup štartovania opakujte dovtedy, kým nebudete počuť prvé zážihy motora.
- Stlačte páčku sýtiča (5) () a znovu potiahnite lanko štartéra, kým motor nenašartuje.
- Ihneď po nábehu motora stlačte a uvoľnite škrtiacu klapku, aby sa uvoľnila západka polovičného otvorenia škrtiacej klapky, a aby mohol motor bežať vo voľnobehu.
- Motor nechajte bežať asi jednu minútu na nízkych otáčkach a až následne úplne otvorte škrtiacu klapku.



- POZNÁMKA:** – Ak budete rukoväť štartéra opakovane ťahať, kým je páčka sýtiča v polohe „  „, motor ľahko nenašartuje kvôli nadmernému prívodu paliva.
- V prípade nadmerného prívodu paliva demontujte zapaľovaciu sviečku a pomalým potiahnutím rukoväti štartéra odstráňte nadbytočné palivo. Okrem toho vysušte časť elektródy zapaľovacej sviečky.

Počas prevádzky dávajte pozor:

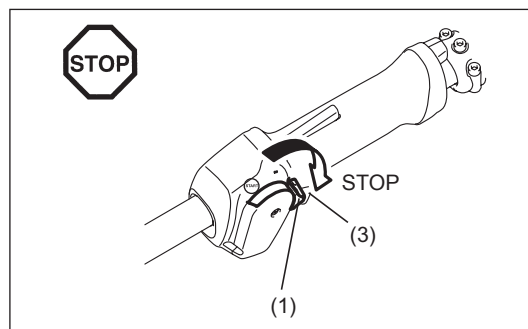
Ak je pri voľnobehu páčka škrtiacej klapky úplne otvorená, otáčky motora vystúpia nad 10000 min⁻¹. Motor nikdy neprevádzkujte pri vyššej než požadovanej rýchlosti a otáčky udržiavajte na úrovni približne 6000 – 8000 min⁻¹.

UPOZORNENIE: Vždy, keď sa zariadenie nepoužíva v pracovnom režime, znížte otáčky motora.

Prevádzkovaním zariadenia na vysokých otáčkach, keď nie je v pracovnom režime, sa skraca jeho životnosť.

Zastavenie

- Uvoľnite úplne páčku škrtiacej klapky (3) a keď sa znížia otáčky motora, prepnete vypínač Start-Stop (1) do polohy „STOP“ (ZASTAVENIE), aby sa motor vypol.
- Dávajte pozor, pretože sečná hlava sa nemusí zastaviť okamžite, preto ju vždy nechajte, aby sa sama spomalila až do úplného zastavenia.



NYLONOVÁ SEČNÁ HLAVA

Nylonová sečná hlava predstavuje sečnú hlavu s dvojitou strunou, ktorá je vybavená mechanizmom typu udrieť a vysunúť strunu. Nylonová sečná hlava vysunie nylonovú strunu po udretí sečnou hlavou o zem.

Prevádzka

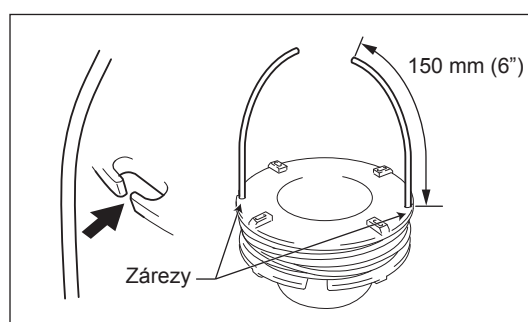
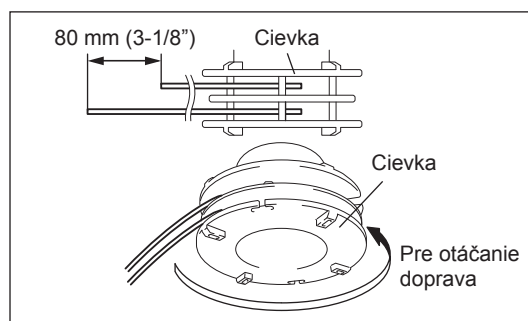
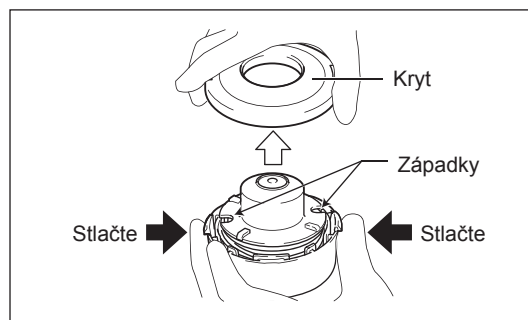
- Najúčinnnejšia sečná plocha je vyznačená tieňovaním.
- Na vysunutie nylonovej struny zvýšte otáčky nylonovej sečnej hlavy na hodnotu približne 6000 min⁻¹ a slabo nylonovou sečnou hlavou udrite o zem.
- Ak nylonová sečná hlava struny po udretí strunu nevysunie, prevíňte/vymeňte nylonovú strunu podľa pokynov uvedených v časti „Výmena nylonovej struny“.

Výmena nylonovej struny

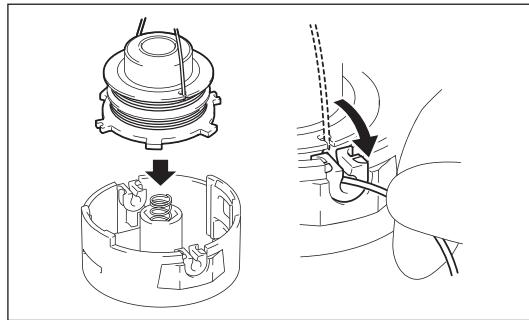
- Zastavte motor.
- Západky na skrini stlačte smerom dovnútra, zdvihnite kryt a následne vyberte cievku.

- Zaháčkujte stred novej nylonovej struny do zárezu v strednej časti cievky, pričom jeden koniec struny musí byť o asi 80 mm (3-1/8") dlhší než druhý. Následne oba konce pevne oviňte okolo cievky v smere otáčania hlavy (pravotočivý smer je označený ako RH na boku cievky).

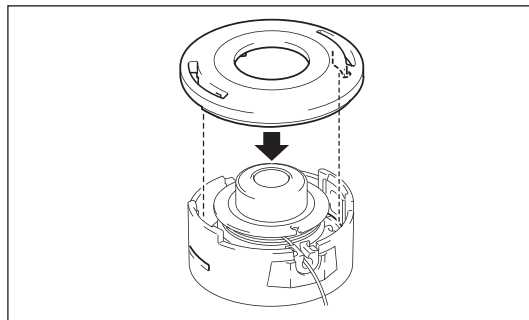
- Naviňte celé struny okrem približne 150 mm (6") z ich dĺžky; tieto konce dočasne zaháčkujte o zárez na boku cievky.



- Vyvlečte struny cez štrbiny von zo skrine.
Do skrine nainštalujte podložku, pružinu a cievku.



- Zarovnajte háčiky na kryte a skriini.
Potom kryt pevne zatlačte na skriňu a zaistite ho.



POKYNY NA VYKONÁVANIE SERVISU

Pokyny na vykonávanie servisu

UPOZORNENIE: Pred vykonávaním akejkoľvek údržby na strunovej kosačke vždy najprv vypnite motor a zo zapalovacej sviečky odpojte kryt (pozrite si časť „Kontrola zapalovacej sviečky“).
Vždy používajte ochranné rukavice.

UPOZORNENIE: Odmontovanie reakčného štartéra nikdy nevykonávajte svojpomocne. Môže to viesť k úrazu. Tento postup by malo vykonávať len autorizované servisné stredisko.

Na zaistenie dlhej životnosti zariadenia a zabránenie jeho poškodeniu vykonávajte v pravidelných intervaloch nasledujúce údržbárske činnosti.

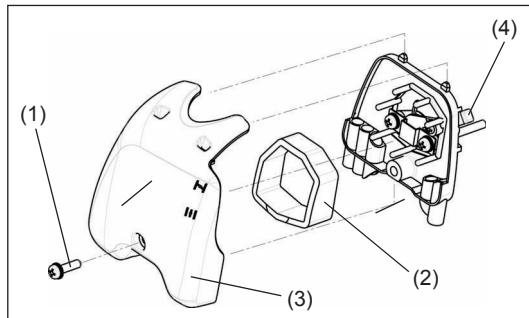
Každodenná kontrola a údržba

- Pred prevádzkou skontrolujte, či na zariadení nie sú uvoľnené skrutky alebo chýbajúce súčasti. Hlavný dôraz venujte utiahnutiu sečnej čepele alebo nylonovej sečnej hlavy.
- Pred prevádzkou vždy skontrolujte a uistite sa, že vedenie chladiaceho vzduchu a rebrá valca nie sú zanesené. V prípade potreby ich vyčistite.
- Každodenne po použití vykonajte nasledujúce operácie údržby:
 - Strunovú kosačku očistite z vonkajšej strany a skontrolujte, či nie je poškodená.
 - Vyčistite vzduchový filter. Ak pracujete v silne prašnom prostredí, filter vyčistite niekoľkokrát za deň.
 - Skontrolujte, či sečná čepel alebo nylonová sečná hlava nie je poškodená a uistite sa, že je pevne namontovaná.
 - Uistite sa, že medzi voľnobežnými otáčkami a prevádzkovými otáčkami je dostatočný rozdiel, aby sa zabezpečilo, že sečné náradie sa počas voľnobehu nepohybuje (v prípade potreby znížte voľnobežné otáčky).
Ak sa sečné náradie točí ďalej, aj keď motor beží na voľnobehu, obráťte sa na najbližšieho autorizovaného servisného zástupcu.
- Skontrolujte správnu funkčnosť vypínača Start-Stop, páčky odblokovania, ovládacej páčky a blokovacieho tlačidla.

Čistenie vzduchového čističa (filtra)

- Otočte páčku sýtiča (4) úplne na stranu zatvorenia a zabráňte prístupu prachu a nečistôt do karburátora.
- Odskrutkujte skrutku (1).
- Demontujte kryt vzduchového filtra (3).
- Odmontujte penový prvok (2), umyte ho vo vlažnej vode a nechajte ho úplne vyschnúť.
- Po vyčistení nasadte kryt vzduchového filtra (3) a utiahnite skrutku (1).

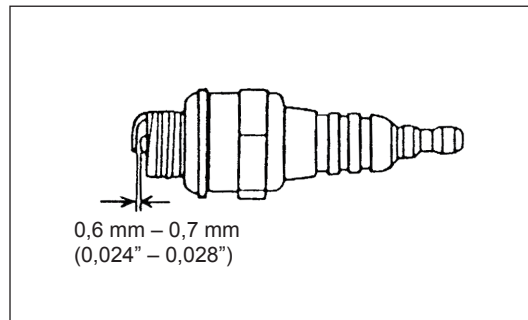
POZNÁMKA: Ak sa vzduchový filter nadmerne znečisťuje prachom alebo sa špiní, čistite ho každý deň. Zanesený vzduchový filter môže sťažiť alebo znemožniť naštartovanie motora alebo zvýšiť jeho otáčky.



Kontrola zapalovacej sviečky

- Na demontáž a inštaláciu zapalovacej sviečky používajte len dodávaný univerzálny kľúč.
- Štrbina medzi elektródami zapalovacej sviečky by mala byť 0,6 – 0,7 mm (0,024" – 0,028"). Ak je štrbina veľmi široká alebo veľmi úzka, upravte ju. Ak je zapalovacia sviečka zanesená uhlíkom alebo znečistená, dôkladne ju vyčistite alebo ju vymeňte.

UPOZORNENIE: Kým motor beží, nikdy sa nedotýkajte konektora zapalovacej sviečky (riziko zasiahnutia vysokonapäťovým elektrickým prúdom).

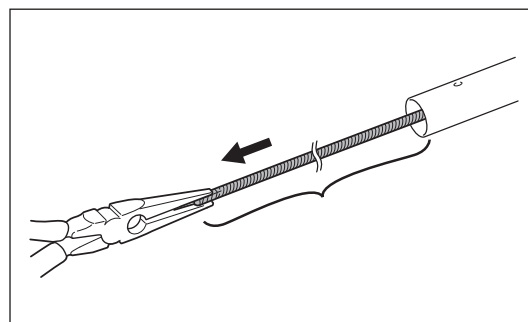
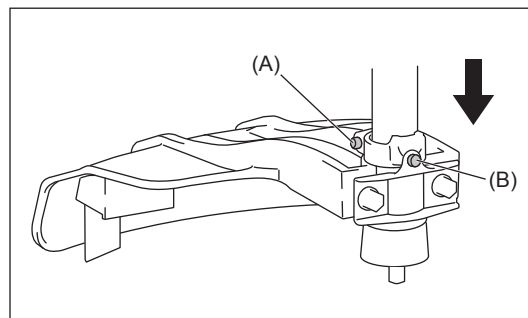


Nanesenie maziva na ohybný hriadeľ

- Mazivo (Shell Alvania 2 alebo rovnocenné mazivo) naneste na ohybný hriadeľ po uplynutí každých 50 hodín. (Originálne mazivo značky DOLMAR si môžete zakúpiť u predajcu výrobkov značky DOLMAR.)

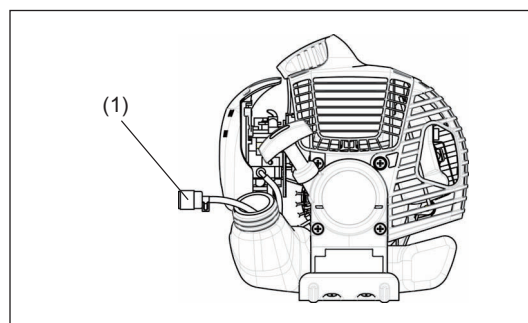
Mazivo doplňte podľa nasledujúcich krokov:

1. Odskrutkujte svorníky (A) a (B).
2. Z hriadeľa demontujte jednotku hlavy.
3. Rukou vytiahnite ohybný hriadeľ a naneste mazivo.



Nasávací hlava v palivovej nádrži

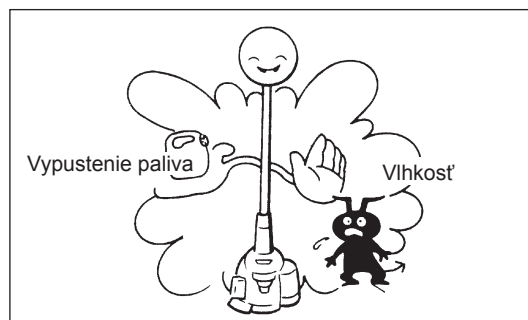
- Palivový filter (1) nasávacej hlavy sa používa na prívod paliva, ktoré potrebuje karburátor.
- Palivový filter pravidelne vizuálne kontrolujte. Keď chcete filter skontrolovať, otvorte uzáver palivovej nádrže a pomocou drôteného háka vytiahnite nasávaciu hlavu von cez otvor nádrže. Keď je filter stuhnutý, mimoriadne znečistený alebo zanesený, vymeňte ho.
- Nedostatočný prívod paliva môže viesť k prekročeniu maximálnych dovolených otáčok. Palivový filter je preto nutné vymeniť aspoň raz za štvrtrok, aby sa zabezpečil vyhovujúci prívod paliva do karburátora.



Akúkoľvek inú údržbu alebo nastavenie, ktoré nie sú opísané v tomto návode, smie vykonávať len autorizované servisné stredisko.

SKLADOVANIE

- V prípade dlhodobého uskladnenia zariadenia vypusťte z palivovej nádrže a karburátora celé množstvo paliva. Celé množstvo paliva jednoducho nechajte vytečť z palivovej nádrže. Vypustené palivo zlikvidujte v súlade s platnými miestnymi zákonmi.
- Demontujte zapaľovaciu sviečku a do otvoru zapaľovacej sviečky nakvapkajte niekoľko kvapiek oleja. Následne mierne potiahnite štartér, aby sa na povrchoch vo vnútri motora vytvoril olejový povlak, a zapaľovaciu sviečku utiahnite.
- Odstráňte nečistoty a prach zo sečnej čepele a z vonkajšej strany motora a utrite ich tkaninou namočenou do oleja. Zariadenie uskladnite na suchom mieste.



Harmonogram údržby

Všeobecné	Montážna zostava motora, skrutky, matice	Vizuálna kontrola výskytu poškodení a utiahnutia Kontrola všeobecného stavu a bezpečnosti
Po každom doplnení paliva	Ovládacia páčka Vypínač Start-Stop	Kontrola funkčnosti Kontrola funkčnosti
Každodenne	Vzduchový filter Vedenie chladiaceho vzduchu Sečné náradie Voľnoběžné otáčky	Vyčist'ťe Vyčist'ťe Skontrolujte poškodenie a ostrosť Kontrola (sečné náradie sa nesmie pohybovať)
Týždenne	Zapaľovacia sviečka Tlmič výfuku	Kontrola, v prípade potreby výmena Vykonajte kontrolu a v prípade potreby vyčist'ťte otvor
Štvrťročne	Nasávacía hlava Palivová nádrž	Vymeňte Vyčist'ťte
Vypínanie	Palivová nádrž Karburátor	Palivovú nádrž vyprázdňte Nechajte bežať, kým sa nespotrebuje celé množstvo paliva

Riešenie problémov

Chyba	Systém	Pozorovanie	Príčina
Motor nenašartuje, alebo našartuje ťažko	Systém zapaľovania	Zapaľovacia sviečka je v poriadku Žiadna zapaľovacia iskra	Chyba prívodu paliva alebo systému kompresie; mechanická chyba Bol použitý vypínač Start-Stop; chybné vedenie alebo skrat; chybná zapaľovacia sviečka alebo konektor; chybný modul zapaľovania
	Prívod paliva	Palivová nádrž je naplnená	Nesprávna poloha škrtiacej klapky; chybný karburátor; vedenie paliva je ohnuté alebo zablokované; palivo je znečistené
	Kompresia	Po zatiahnutí nedochádza ku kompresii	Chybné spodné tesnenie valca; poškodené tesnenia kľukového hriadeľa; tesniace krúžky valca alebo piestu sú chybné, alebo nie je správne tesnenie zapaľovacej sviečky
	Mechanická chyba	Štartér nenabieha	Zlomená pružina štartéra; zlomené súčasti vo vnútri motora
Problémy pri teplom štarte		Nádrž je naplnená. Zapaľovacia sviečka je v poriadku	Znečistený karburátor; je potrebné ho vyčistiť
Motor sa spustí, ale samovoľne zastane	Prívod paliva	Nádrž je naplnená	Nesprávne nastavenie voľnobehu; znečistený karburátor Odvzdušňovanie palivovej nádrže je chybné; prívod paliva je prerušený, kábel alebo vypínač Start-Stop sú chybné
Nedostatočný výkon	Možno je súčasne chybných niekoľko systémov	Voľnobeh motora je slabý	Znečistený vzduchový filter; znečistený karburátor; zanesený tlmič výfuku; výfukové vedenie valca je zanesené

Děkujeme za zakoupení strojního zařízení k venkovnímu použití DOLMAR. S potěšením vám představujeme zařízení DOLMAR. Tento produkt je výsledkem dlouhého vývojového programu a záručením dlouholetých znalostí a zkušeností v této oblasti.

Pročtěte si tuto brožuru, jež se podrobně věnuje nejrůznějším faktům svědčícím o mimořádné výkonnosti našeho produktu. Brožura vám při používání výrobku DOLMAR napomůže dosáhnout nejlepších možných výsledků.



Obsah	Strana
Symbole	100
Bezpečnostní pokyny	101
Technická data	104
Popis dílů	105
Montáž držadla	106
Montáž ochranného krytu	106
Montáž strunové hlavy	106
Palivo/doplňování paliva	107
Startování a vypínání motoru	108
Strunová hlava	110
Servisní pokyny	111
Skladování	113

SYMBOLY

Při čtení návodu k obsluze narazíte na následující symboly.

	Přečtěte si návod k obsluze a dodržujte varování a bezpečnostní opatření!		Používejte ochrannou přilbu a ochranu zraku a sluchu.
	Buďte obzvláště opatrní a dávejte pozor!		Nejvyšší povolené otáčky nástroje max 00000min ⁻¹
	Zakázáno!		Palivo (benzin)
	Dodržujte bezpečnou vzdálenost!		Ruční startování motoru
	Nebezpečí odletujících úlomků!		Nouzové zastavení
	Zákaz kouření!		První pomoc
	Zákaz používání otevřeného ohně!		ZAP./START
	Nutnost použít ochranné rukavice!		VYP./STOP
	Noste pevnou obuv s protiskluzovou podrážkou. Doporučujeme bezpečnostní obuv s ocelovou špičkou!		Nikdy nepoužívejte kovové nože
	Zamezte vstupu na pracoviště všem osobám a zvířatům!		

BEZPEČNOSTNÍ POKYNY

Obecné pokyny

- Přečtěte si tento návod k obsluze a seznamte se s obsluhou zařízení. Nedostatečně informovaní uživatelé mohou v důsledku nesprávné manipulace vystavit nebezpečí sebe i další osoby.
- Používání zařízení doporučujeme pouze osobám s prokázanými zkušenostmi s tímto nářadím.
S nářadím vždy předávejte rovněž návod k obsluze.
- Začínající uživatelé by se měli obrátit na prodejce se žádostí o základní pokyny, aby se obeznámili s obsluhou strunových sekaček.
- Zařízení nesmí obsluhovat děti a osoby mladší 18 let. Osoby starší 16 let však mohou zařízení používat za účelem získání praxe, avšak pod dohledem kvalifikované osoby.
- Zařízení používejte vždy s maximální opatrností a pozorností.
- Pracujte pouze pokud jste v dobrém fyzickém stavu. Veškerou práci provádějte klidně a opatrně. Uživatel přebírá odpovědnost i za ostatní osoby.
- Zařízení nikdy nepoužívejte po požití alkoholu či léků a ani pokud jste unavení či nemocní.
- Používání zařízení může být omezeno národními předpisy.

Účel použití nářadí

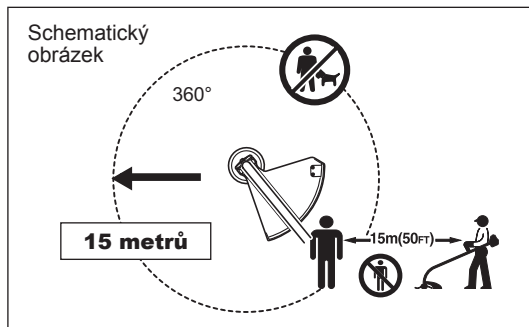
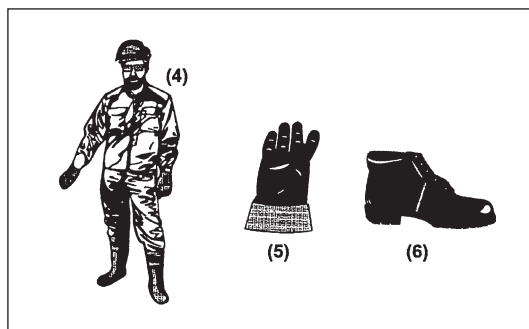
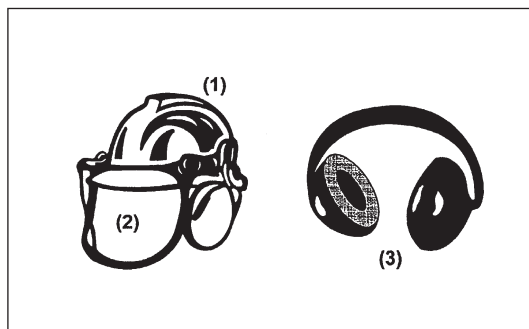
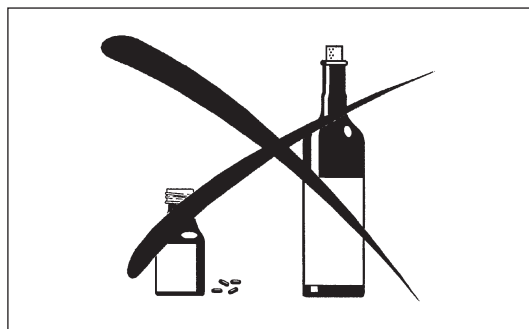
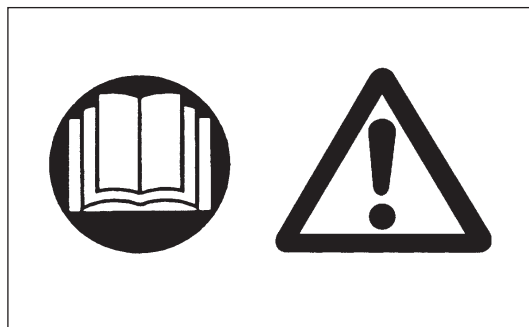
- Zařízení je určeno pouze k sekání trávy a mírně zaplevelených ploch. Zařízení nesmí být používáno k žádnému jinému účelu, například k zastříhování či stříhání živých plotů, neboť by mohlo dojít ke zranění.

Osobní ochranné pomůcky

- Používejte vhodný a funkční oděv – přiléhavý a neomezující v pohybu. Nenoste šperky ani oděv, který by se mohl zachytit o houšti či křoviny.
- Při práci je nutné používat následující ochranné prostředky a ochranný oděv zamezující zranění hlavy, očí, rukou, nohou či poškození sluchu.
- Při nebezpečí odletávajících úlomků vždy noste ochrannou přilbu. Ochrannou přilbu (1) pravidelně kontrolujte, zda není poškozena. Přilbu je třeba nejpozději po pěti letech vyměnit. Používejte pouze schválené ochranné přilby.
- Ochranný štít (2) přilby (případně ochranné brýle) chrání tvář před odletujícími úlomky či kameny. K zamezení zranění očí noste při práci vždy ochranné brýle nebo štít.
- K zamezení poškození sluchu používejte vhodné chrániče sluchu (ochranná sluchátka (3), ucpávky do uší, apod.).
- Pracovní kombinézy (4) chrání před odletujícími kameny a úlomky. Uživatelům důrazně doporučujeme, aby pracovní kombinézy používali.
- Součástí předepsaného vybavení tvoří rukavice (5), jež musí obsluha zařízení při práci vždy nosit.
- Při práci se zařízením vždy noste pevnou obuv (6) s protiskluzovou podrážkou. Zamezte tak zraněním a zajistíte si správný postoj.

Startování motorové strunové sekačky

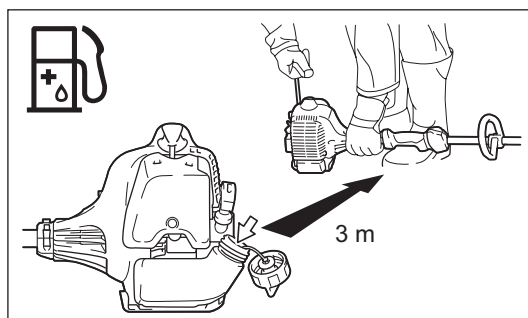
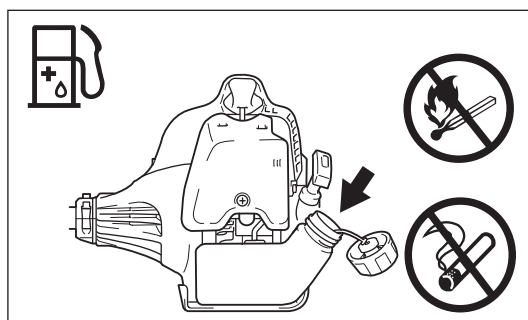
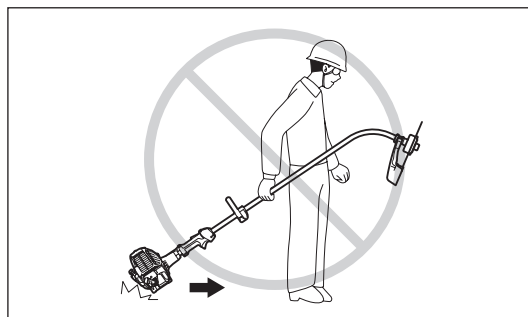
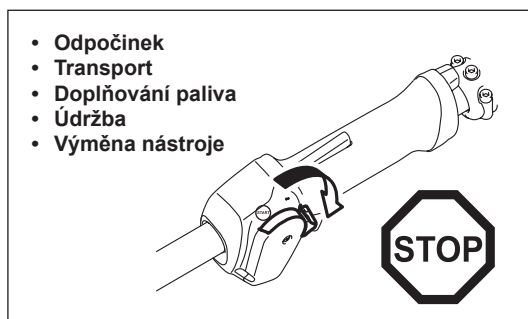
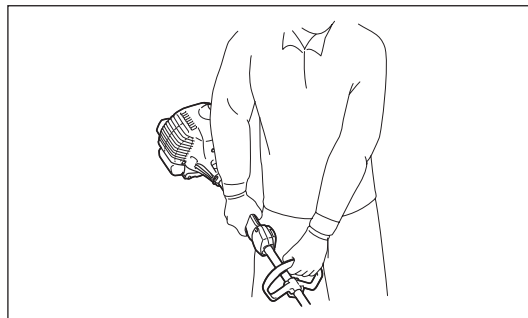
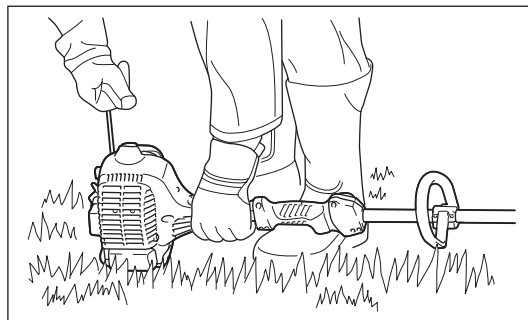
- Ujistěte se, zda nejsou v pracovním prostoru v okruhu 15 metrů žádné děti a další osoby a dejte také pozor na zvířata v blízkosti místa vykonávané práce.
- Před prací vždy zkontrolujte, zda je zařízení bezpečně provozuschopné: Zkontrolujte bezpečnost sekacího nástavce, snadný pohyb páčky plynu a správnou funkci pojistky páčky plynu.
- Sekací nástavec se za volnoběhu nesmí otáčet. V případě pochybností se obraťte na prodejce se žádostí o seřízení. Zkontrolujte, zda jsou držadla čistá a suchá a vyzkoušejte funkci přepínače start/stop.



- Motorovou strunovou sekačku startujte pouze podle tohoto návodu.
- Nepoužívejte žádné jiné metody startování motoru!
- Motorovou strunovou sekačku a nástroje používejte pouze k určeným účelům.
- Motor startujte teprve po kompletním smontování celku. Obsluha zařízení je přípustná teprve po namontování veškerého odpovídajícího příslušenství!
- Před nastartováním se ujistěte, zda není sekací nástavec v žádném kontaktu s pevnými předměty, například s větvemi, kameny atd., neboť sekací nástavec se po startu uvede do pohybu.
- V případě jakýchkoli problémů s motorem je nutné motor okamžitě vypnout.
- Jestliže sekací nástavec narazí do kamenů či jiných tvrdých předmětů, vypněte motor a sekací nástavec ihned prohlédněte.
- Sekací nástavec pravidelně a v krátkých intervalech kontrolujte, zda není poškozený (vlasové trhliny zjistíte sluchem při poklepání).
- Jestliže zařízení utrpí prudký náraz nebo pokud upadne, zkontrolujte před obnovením práce jeho stav. Překontrolujte, zda z palivového systému neuniká palivo a zda nedošlo k poruše ovládacích prvků a bezpečnostního zařízení. V případě zjištění poškození či v pochybnostech požádejte o prohlídku a opravu naše autorizované servisní středisko.
- Během provozu držte motorovou strunovou sekačku vždy oběma rukama. Motorovou strunovou sekačku při práci nikdy nedržte jen jednou rukou. Vždy si zajistěte bezpečný postoj.
- S motorovou strunovou sekačkou pracujte tak, abyste nevdechovali výfukové plyny. Motor nikdy nenechávejte běžet v uzavřených místnostech (nebezpečí otravy výfukovými plyny). Oxid uhelnatý je plyn bez zápachu.
- Při odpočinku a při ponechání motorové strunové sekačky bez dozoru vypněte motor a nářadí uložte na bezpečném místě, abyste zamezili ohrožení ostatních osob či poškození zařízení.
- Rozehřátou motorovou strunovou sekačku nikdy nepokládejte do suché trávy ani na žádné hořlavé materiály.
- Před spuštěním motoru vždy na zařízení nainstalujte schválený kryt sekacího nástavce. Bez krytu by mohl kontakt se sekacím nástavcem způsobit vážné zranění.
- Během provozu musí být použity všechny ochranné prvky a kryty dodané k zařízení.
- Nikdy nepracujte se zařízením s vadným tlumičem výfuku.
- Při přenášení zařízení vypněte motor.
- Při převozu autem zajistěte bezpečnou polohu zařízení, aby nedošlo k úniku paliva.
- Při transportu zajistěte kompletní vyprázdnění palivové nádrže.
- Při vykládání z auta zařízení nikdy nepouštějte motorem na zem, neboť by mohlo dojít k vážnému poškození palivové nádrže.
- Kromě případu nouze zařízení nikdy nepouštějte ani neodhazujte na zem, neboť by se mohlo vážně poškodit.
- Při přenášení neopomeňte zvedat ze země celé zařízení. Vlečení palivové nádrže po zemi je velmi nebezpečné – může způsobit poškození nádrže, únik paliva a vznik požáru.

Doplňování paliva

- Při doplňování paliva vypněte motor, nepřibližujte se k otevřenému ohni a nekuřte.
- Zamezte kontaktu produktů z minerálních olejů s pokožkou. Nevdechujte výpary paliva. Při doplňování paliva vždy používejte ochranné rukavice. Ochranný oděv v pravidelných intervalech vyměňujte a perte.
- Počínejte si opatrně, abyste rozlitím paliva nebo oleje nezpůsobili kontaminaci půdy (chráňte životní prostředí). Motorovou strunovou sekačku při potřísnění palivem okamžitě očistěte.
- Zamezte kontaktu oděvu s palivem. Při polížení palivem si oděv okamžitě vyměňte (zamezte možnosti vzplanutí).
- Pravidelně kontrolujte víčko palivové nádrže. Ujistěte se tak, že je správně dotaženo a palivo neuniká.
- Víčko palivové nádrže pečlivě dotáhněte. Při startování motoru změňte polohu (postavte se alespoň 3 metry od místa doplňování paliva).
- Palivo nikdy nedoplňujte v uzavřených místnostech. Výpary paliva se shromažďují nízko nad povrchem (nebezpečí výbuchu).
- Palivo přepravujte a skladujte pouze ve schválených nádobách. Zajistěte, aby ke skladovanému palivu neměly přístup děti.



Provoz

- Pracujte pouze za dobrého světla a viditelnosti. V zimním období dejte pozor na kluzká a vlhká místa s ledem a sněhem (nebezpečí uklouznutí). Vždy si zajistěte bezpečný postoj.
- Nikdy nepracujte nad úroveň pasu.
- Nikdy nepracujte na žebříku.
- Nikdy nešplhejte na stromy za účelem prořezávání.
- Nikdy nepracujte na nestabilních plochách.
- Z pracovního prostoru odstraňte písek, kameny, hřebíky apod.
- Před zahájením práce musí být sekací nástavec uveden do plných pracovních otáček.
- Motorovou strunovou sekačkou sekejte v rovnoměrných obloucích. Jestliže se mezi sekací nástavec a kryt zachytí tráva či větve, vypněte vždy před jejich odstraňováním motor. Rotující nástavec by totiž mohl obsluhu způsobit vážné zranění.
- Odpočívejte – zamezte tak ztrátě kontroly vinou únavy. Doporučujeme 10–20minutový odpočinek po každé hodině práce.

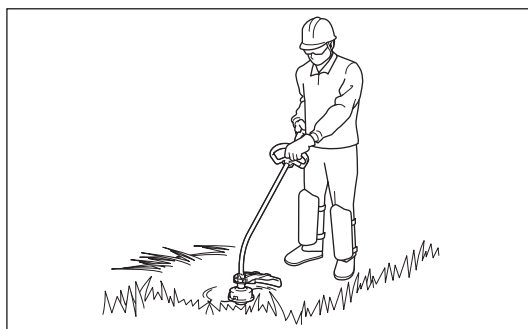


Sekací nástavce

- Nikdy nepoužívejte kovové nástroje včetně kovových vícedílných řetízkových hlav a cepových nožů. Kontakt s břitem může způsobit vážné zranění.

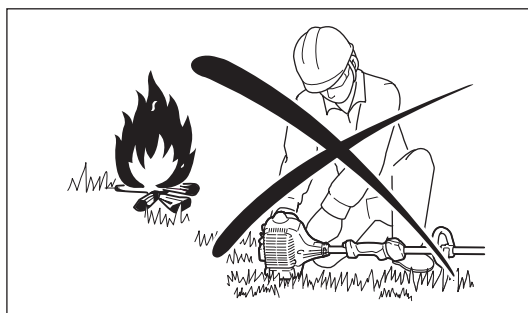
Vibrace

- Osoby se slabším krevním oběhem vystavené přílišným vibracím mohou utrpět zranění cévního či nervového systému. Vibrace mohou na prstech, ruce či zápěstích vyvolat následující příznaky: „ochablost“ (necitlivost), mravenčení, bolest, bodavá bolest, změna barvy či stavu pokožky. Trpíte-li jakýmkoli z těchto příznaků, vyhledejte lékaře!
- K zamezení vzniku oběhových problémů (Reynaudovy choroby) udržujte ruce při práci v teple a zajistěte dobrou údržbu zařízení i příslušenství.



Pokyny k údržbě

- Servis zařízení svěďte našemu autorizovanému servisnímu středisku a vždy používejte pouze originální náhradní díly. Nesprávně provedené opravy či nedostatečná údržba mohou zkrátit životnost zařízení či zvýšit nebezpečí nehody.
- Před zahájením práce je nutné zkontrolovat stav zařízení, zvláště pak sekacího nástavce a ochranných prvků.
- Při výměně sekacích nástavců a také při čištění nářadí či sekacího nástavce vypněte motor a odpojte konektor zapalovací svíčky.
- Buďte ohleduplní vůči životnímu prostředí. Vyvarujte se zbytečného používání páčky plynu – omezíte tak úroveň znečištění i emise hluku. Proveďte správné seřízení karburátoru.
- Zařízení pravidelně čistěte a kontrolujte, zda jsou dobře dotaženy všechny šrouby a matice.
- V blízkosti otevřeného ohně nikdy neprovádějte údržbu ani skladování zařízení.
- Zařízení vždy skladujte v uzamčených místnostech a s vyprázdněnou palivovou nádrží.



Dodržujte náležité pokyny o bezpečnosti práce vydávané příslušnými obchodními sdruženími a pojišťovny. Zařízení nijak neupravujte, ohrozili byste vlastní bezpečnost.

Provádění údržby či oprav uživatelem je omezeno na aktivity předepsané v návodu k obsluze. Všechny ostatní práce svěďte zástupcům autorizovaného servisu. Používejte pouze originální náhradní díly a nástavce zajištěné a dodané společností DOLMAR.

Použití neschválených nástavců a nástrojů představuje zvýšené nebezpečí úrazu.

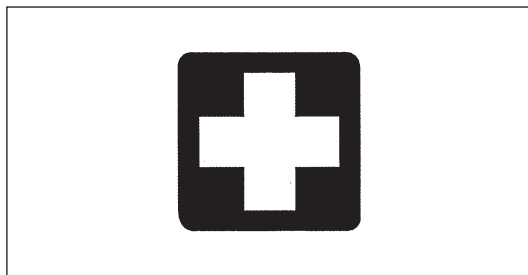
Společnost DOLMAR nepřijímá žádnou odpovědnost za nehody či škody způsobené použitím neschválených sekacích nástavců, upevňovacích zařízení sekacích nástavců či příslušenství.

První pomoc

Pro případ nehody zajistěte, aby byla v blízkosti vykonávaných prací k dispozici lékárnička. Použitý obsah lékárničky je nutno okamžitě nahradit.

Při přivolávání pomoci poskytněte následující informace:

- Místo nehody
- Co se stalo
- Počet zraněných osob
- Druh zranění
- Svě jméno



Pouze pro evropské země

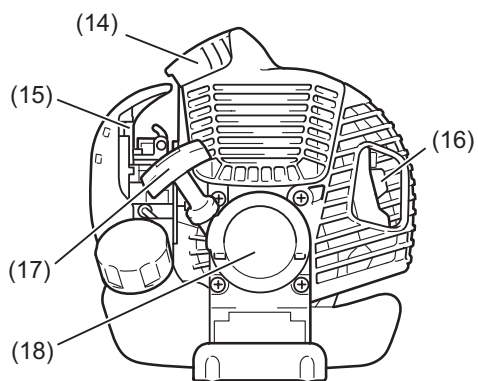
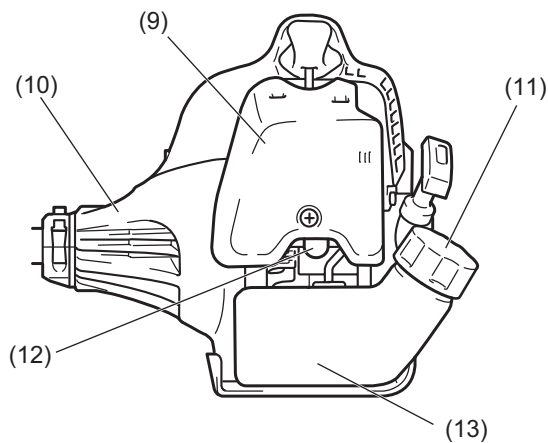
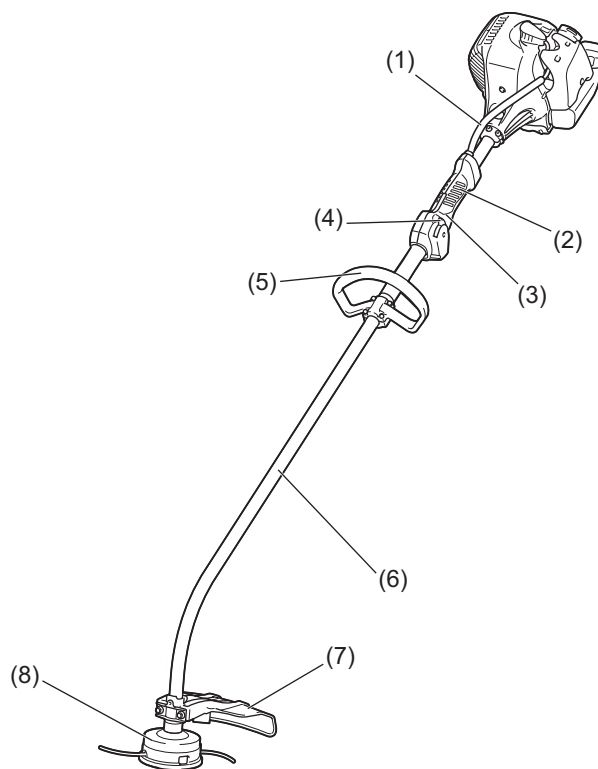
ES prohlášení o shodě

ES prohlášení o shodě je v tomto návodu k obsluze zahrnuto jako Příloha A.

TECHNICKÁ DATA

Model		LT-27		
Typ držadel		Obloukové držadlo		
Rozměry: délka × šířka × výška (bez vyžínacího nástroje)	mm	1 645 x 220 x 510		
Čistá hmotnost	kg	4,3		
Typ motoru		Vzduchem chlazený, 2dobý jednoválec		
Zdvihový objem motoru	cm ³	25,7		
Maximální výkon motoru	kW	0,83		
Maximální počet otáček výstupního hřídele	min ⁻¹	10 000		
Průměr vysekávané plochy se strunovou hlavou	mm	φ 400		
Volnoběžné otáčky	/min	3 000		
Otáčky sepnutí spojky	/min	4 100		
Palivo		Palivová směs Benzín: olej pro dvoudobé motory = 50:1		
Objem (palivová nádrž)	l	0,6		
Karburátor		WALBRO WYC		
Zapalovací svíčka		NGK BPMR7A		
Vzdálenost elektrod	mm	0,6–0,7		
Vibrace dle ISO 22867	Pravé držadlo (zadní rukojeť)	$a_{hv\ eq}$	m/s ²	5,074
		Nejistota K	m/s ²	1,5
	Levé držadlo (přední rukojeť)	$a_{hv\ eq}$	m/s ²	3,853
		Nejistota K	m/s ²	1,5
Průměrná hladina akustického tlaku dle ISO 22868	$L_{PA\ eq}$	dB (A)	91,30	
	Nejistota K	dB (A)	0,85	
Průměrná hladina akustického výkonu dle ISO 22868	$L_{WA\ eq}$	dB (A)	111,30	
	Nejistota K	dB (A)	0,85	

POPIS DÍLŮ



Názvy dílů	
1	Ovládací lanko
2	Zadní rukojeť
3	Ovládací páčka
4	Přepínač start-stop
5	Držadlo
6	Hřídelová tyč
7	Ochranný kryt (kryt vyžínacího nástroje)
8	Strunová hlava
9	Kryt vzduchového filtru
10	Pouzdro spojky
11	Víčko palivové nádrže
12	Nastříkovač
13	Palivová nádrž
14	Zapalovací svíčka
15	Páčka sytiče
16	Tlumič výfuku
17	Startovací madlo
18	Lankový startér

MONTÁŽ DRŽADLA

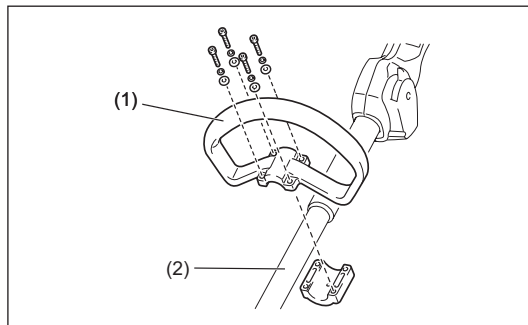
UPOZORNĚNÍ: Před prováděním jakýchkoli prací na zařízení vždy vypněte motor a odpojte konektor zapalovací svíčky. Vždy noste ochranné rukavice!

UPOZORNĚNÍ: Motor startujte teprve po kompletním sestavení.

Platí pro zařízení s obloukovým držadlem

- Ke hřídelové tyči (2) upevněte obloukové držadlo (1).
- Ujistěte se, zda je mezi sestavou rukojetí a druhou rukojetí umístěna na nosné tyči rozpěrka. Rozpěrku nesnímejte a nezmenšujte.

POZNÁMKA: V některých zemích se rozpěrka k nářadí nedodává. V takovém případě držadlo vyrovnejte se vzdálenější stranou linie vyznačenou značkou šipky.



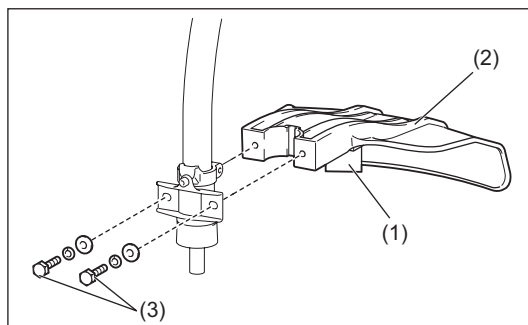
MONTÁŽ OCHRANNÉHO KRYTU

V rámci platných bezpečnostních ustanovení musí být použity pouze kombinace nářadí a ochranného krytu uvedené v tabulce.

UPOZORNĚNÍ: Nedotýkejte se přirezávacího nože struny (1) v ochranném krytu (2). Kontakt rukama bez rukavic s přirezávacím nožem struny může přivodit zranění.

Ochranný kryt musí být nainstalován: udržuje délku nylonové sekací struny a chrání obsluhu před odlétávajícími kameny a drtí. Montáž ochranného krytu provedete podle následujících kroků.

1. Ochranný kryt natočte tak, aby žebro na hřídelové tyči dosedlo do drážky ochranného krytu.
2. Dotáhněte dva šrouby (3).



MONTÁŽ STRUNOVÉ HLAVY

VAROVÁNÍ: Nikdy nepoužívejte kovové nože.

Ujistěte se, zda používáte originální strunovou hlavu DOLMAR.

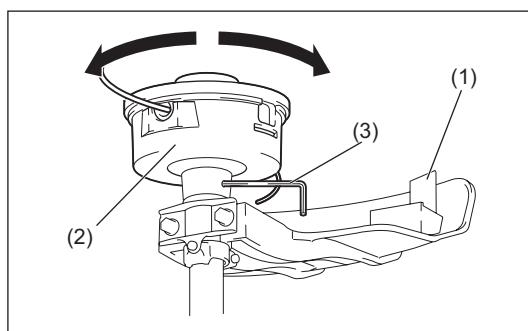
- Narazí-li strunová hlava během práce na kámen, vypněte motor a strunovou hlavu ihned zkontrolujte.

UPOZORNĚNÍ: Nedotýkejte se přirezávacího nože struny (1) v ochranném krytu. Kontakt rukama bez rukavic s přirezávacím nožem struny může přivodit zranění.

Montáž strunové hlavy (2) provedete podle následujících kroků.

1. Do otvoru v přičytcce zasuňte blokovací klíč (3). Otáčejte díly a tlačte současně blokovací klíč dovnitř, až dojde k aretaci.
2. Potom na hřídelovou tyč otáčením doprava našroubujte strunovou hlavu. Ujistěte se, zda jste hlavu namontovali pevně.
3. Vytáhněte blokovací klíč.

Jestliže chcete strunovou hlavu sejmout, otáčejte jí vlevo.



Manipulace s palivem

Při manipulaci s palivem je na místě nejvyšší opatrnost. Palivo může obsahovat látky podobné rozpouštědlům. Doplnění paliva provádějte v době větrané místnosti nebo venku. Nevdechujte výpary paliva a zamezte kontaktu paliva či oleje s pokožkou.

Ropné produkty odmašťují kůži. Dlouhodobý kontakt těchto produktů s pokožkou vyvolá extrémní vysušení kůže, což může vést ke vzniku nejruznějších kožních onemocnění. Navíc může dojít i k alergickým reakcím.

Při kontaktu s olejem může dojít k podráždění očí. Při vniknutí oleje do očí je okamžitě vypláchněte čistou vodou. Jestliže podráždění očí přetrvává, vyhledejte neprodleně lékařskou pomoc.



Dodržujte bezpečnostní pokyny na straně 101.

Palivo a směs s olejem

Strunová sekačka je vybavena vysoce účinným dvoudobým motorem. Jako palivo slouží směs paliva a oleje pro dvoudobé motory. Motor je navržen pro obvyklé bezolovnaté palivo s minimální hodnotou oktanového čísla 91 (RON).

Chcete-li dosáhnout optimálního výkonu motoru a chránit své zdraví a životní prostředí, používejte pouze bezolovnaté palivo!

K mazání motoru přidejte do paliva olej pro dvoudobé motory (jakostní třída: JASO FC nebo ISO EGD). V rámci ochrany životního prostředí byl motor navržen pro použití se stanoveným olejem pro dvoudobé motory – se směšovací poměrem 50:1.

Používání tohoto směšovacího poměru navíc zaručí dlouhou životnost a spolehlivý provoz motoru s minimálními emisemi výfukových plynů. Bez přísného dodržování směšovacího poměru 50:1 (se stanoveným olejem pro dvoudobé motory) nelze zaručit spolehlivou funkci strunové sekačky.



Správný směšovací poměr:

Benzín: předepsaný olej pro dvoudobé motory = 50 : 1 nebo

Benzín: doporučený olej jiného výrobce pro dvoudobé motory = 25 : 1 (doporučený poměr)

POZNÁMKA: Při přípravě směsi paliva s olejem smíchejte nejprve celé množství oleje s polovinou požadovaného objemu paliva a pak přidejte zbývající palivo. Před nalitím směsi do nádrže strunové sekačky ji důkladně promíchejte. K zajištění bezpečného provozu nepřidávejte více motorového oleje, než je stanoveno. Výsledkem by byla pouze zvýšená tvorba zplodin znečišťujících životní prostředí, ucpání výfukového kanálu ve válci a zanesení tlumiče. Navíc se zvýší spotřeba paliva a sníží výkon.

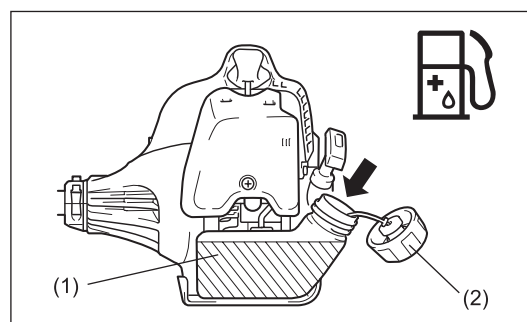


Benzín	50:1	25:1
	+	
1 000 cm ³ (1 litrů)	20 cm ³	40 cm ³
5 000 cm ³ (5 litrů)	100 cm ³	200 cm ³
10 000 cm ³ (10 litrů)	200 cm ³	400 cm ³

Doplňování paliva

Motor musí být vypnutý.

- Důkladně očistěte oblast kolem víčka plnicího otvoru paliva (2), abyste zamezili vniknutí nečistot do palivové nádrže (1).
- Odšroubujte víčko plnicího otvoru paliva (2) a naplňte nádrž palivem.
- Pevně našroubujte víčko plnicího otvoru paliva (2).
- Po doplnění paliva očistěte šroubovací víčko plnicího otvoru paliva (2) a nádrž.



Skladování paliva

Palivo nelze skladovat po neomezenou dobu.

Nakupujte pouze takové množství, jež budete potřebovat pro 4 týdny provozu.

Používejte pouze nádoby schválené ke skladování paliva.

STARTOVÁNÍ A VYPÍNÁNÍ MOTORU

Dodržujte příslušné předpisy bezpečnosti práce.

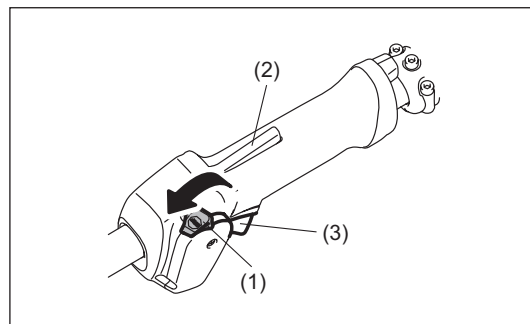
Startování

Přesuňte se nejméně 3 m od místa, kde jste do zařízení doplňovali palivo. Křovinořez umístěte na čistou část terénu a dejte pozor, aby se vyžínací nástroj nedostal do kontaktu s terénem ani s žádným jiným předmětem.

VAROVÁNÍ: Dejte pozor, vyžínací nástroj se po nastartování motoru ihned roztočí.

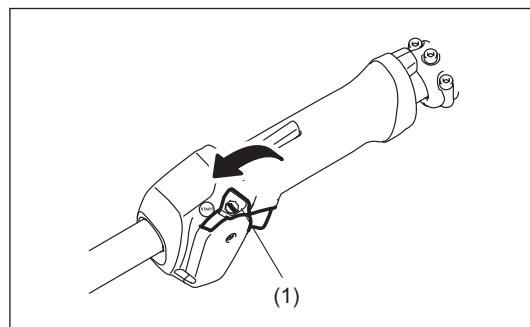
Studený start

- Přepínač start-stop (1) nastavte podle obrázku do startovací polohy.
- Uchopte držadlo (stisknutí ruky aktivuje bezpečnostní odjišťovací páčku (2)).
- Stiskněte a přidržte páčku plynu (3).
- Přepínač start-stop (1) nastavte do startovací polohy, uvolněte ovládací páčku a pak uvolněte přepínač start-stop (přepínač start-stop přidrží páčku plynu ve startovací poloze).

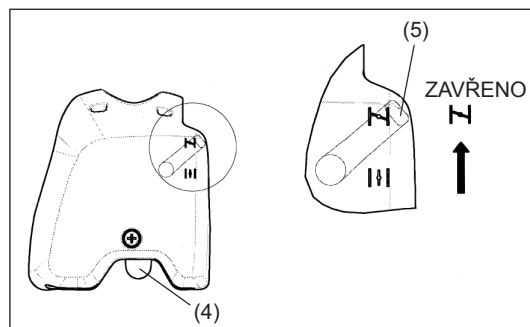


Teplý start

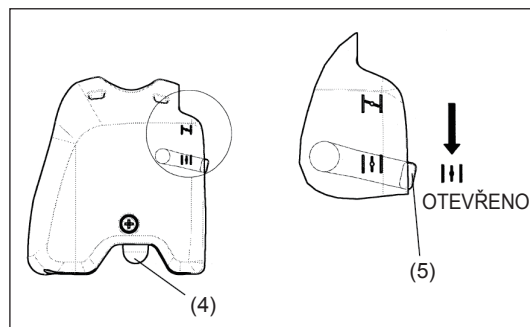
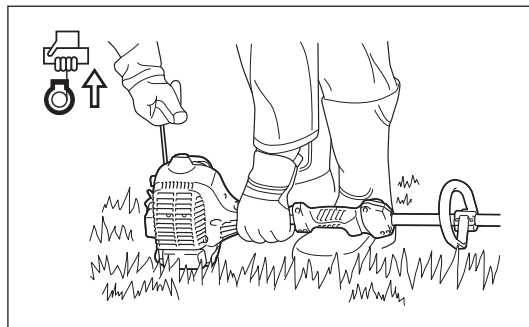
- Přepínač start-stop (1) nastavte podle obrázku do neutrální polohy.



- Nejprve zařízení položte na zem.
- Opakovaně (7-10krát) mírně stlačte nastříkovač (4), až do něj vnikne palivo.
- Páčkou sytiče (5) zavřete klapku.
 - Zcela zavřít v chladném počasí nebo pokud je motor studený.
 - Zcela či napůl otevřený při opětovném startování ještě teplého motoru.



- Levou rukou pevně přidržíte pouzdro spojky tak, jak je znázorněno na obrázku.
- Pomalu potáhněte za startovací madlo a až se dostane do záběru, pokračujte prudším zatáhnutím.
- Netahejte za šňůru startéru na celou délku a nenechte startovací madlo vracet bez kontroly. Šňůru startéru přidržíte, aby se navíjela zpět pomalu.
- Postup startování opakujte, až uslyšíte, že motor začíná naskakovat.
- Uvolněte páčku sytiče (5) (↓↑) a znovu zatáhněte za šňůru startéru, až se motor rozeběhne.
- Po nastartování motoru ihned stiskněte a uvolněte plyn, čímž uvolníte aretaci polovičního plynu a motor poběží ve volnoběhu.
- Před uvedením do plných otáček nechte motor běžet zhruba minutu v mírných otáčkách.



- POZNÁMKA:** – Při opakovaném tahání za startovací madlo s páčkou sytiče v poloze „↓↑“ nebude možné motor snadno nastartovat v důsledku přesycení palivem.
- V případě přesycení palivem vyjměte zapalovací svíčku a pomalým taháním za startovací madlo odstraňte přebytek paliva. Osušte také elektrody zapalovací svíčky.

Upozornění k provozu:

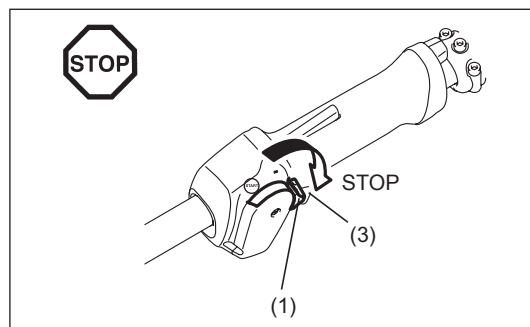
Při plném plynu za provozu bez zátěže se otáčky motoru zvýší na více než 10 000 min⁻¹. Nikdy nepracujte s motorem ve vyšších než požadovaných otáčkách a hodnotu otáček udržujte v úrovni přibližně 6 000–8 000 min⁻¹.

UPOZORNĚNÍ: Jestliže se zařízením nepracujete, vždy snižte otáčky motoru.

Ponechání zařízení ve vysokých otáčkách ve chvílích, kdy se s ním nepracuje, zkracuje jeho životnost.

Vypnutí motoru

- Jestliže chcete vypnout motor, zcela uvolněte páčku plynu (3) a po snížení otáček motoru stiskněte přepínač start-stop (1) do polohy „STOP“.
- Dávejte pozor, strunová hlava se nemusí okamžitě zastavit – vždy ji nechejte zpomalit, až se zcela zastaví.



STRUNOVÁ HLAVA

Strunová hlava je vyžínací dvoustrunná hlava s mechanismem posouvání struny klepnutím o zem.

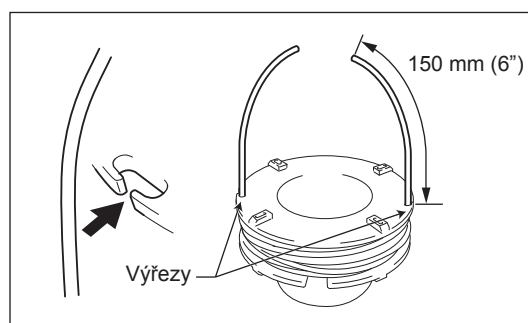
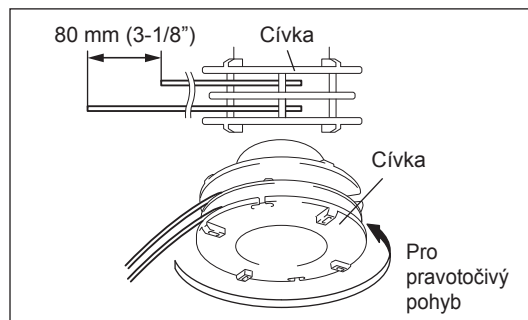
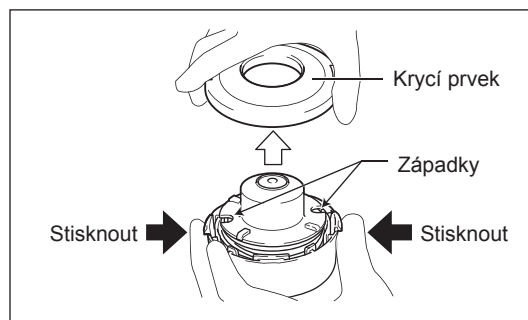
Strunová hlava vysune nylonovou strunu po klepnutí strunové hlavy o zem.

Provoz

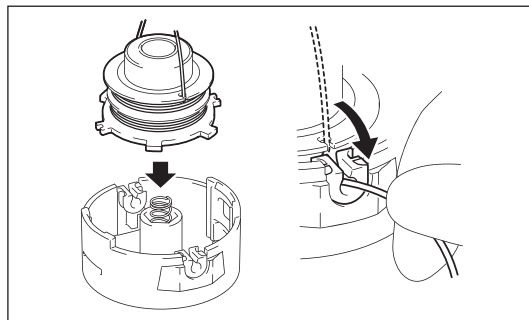
- Nejeffektivnější vyžínací oblast je naznačena šrafováním.
- Vysunutí nylonové struny provedete zvýšením otáček strunové hlavy na přibližně 6 000 min⁻¹ a mírným klepnutím strunové hlavy o zem.
- Jestliže strunová hlava strunu klepnutím nevysune, přeвиňte či vyměňte nylonovou strunu podle postupu popsaného v části „Výměna nylonové struny“.

Výměna nylonové struny

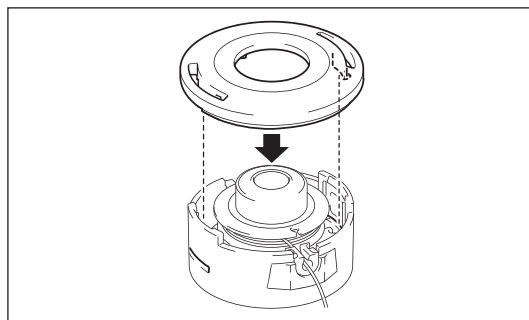
- Vypněte motor.
 - Stiskněte západky v plášti směrem dovnitř, zvedněte krycí prvek a pak vyjměte cívku.
-
- Střed nové nylonové struny zahákněte do výřezu ve středu cívky s jedním koncem přečnivajícím asi o 80 mm více než druhý. Potom oba konce pevně naviňte kolem cívky ve směru otáčení hlavy (pravý směr naznačuje značka RH na straně cívky).
-
- Naviňte struny kompletně na cívku kromě zhruba 150 mm a konce dočasně zahákněte přes výřez na straně cívky.



- Struny protáhněte výřezy tak, aby vyčnívaly z pláště. Do pláště namontujte podložku, pružinu a cívku.



- Vyrovnějte háčky na krytu s pláštěm. Potom kryt pevným natlačením do pláště zajistěte na místě.



SERVISNÍ POKYNY

Servisní pokyny

UPOZORNĚNÍ: Před prováděním jakýchkoli prací údržby na strunové sekačce vždy vypněte motor a odpojte konektor zapalovací svíčky (viz „Kontrola zapalovací svíčky“).
Vždy noste ochranné rukavice.

UPOZORNĚNÍ: Nikdy sami nevyjímejte lankový startér. Tato činnost by mohla způsobit nehodu. Tento krok by měl být svěřen pouze autorizovanému servisnímu středisku.

K zajištění dlouhé životnosti a zamezení poškození zařízení pravidelně provádějte následující úkony údržby.

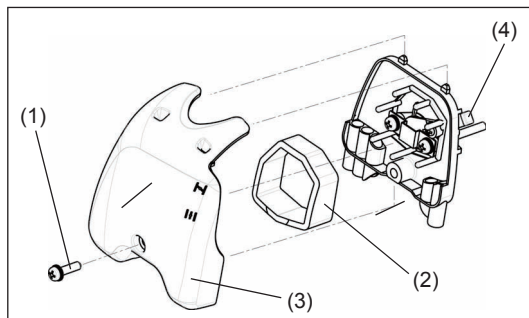
Každodenní kontrola a údržba

- Před zahájením činnosti zkontrolujte, zda nejsou u zařízení povolené šrouby a zda nechybí žádné části. Zvláštní pozornost věnujte dotažení nože či strunové hlavy.
- Před zahájením provozu vždy zkontrolujte, zda nejsou ucpané chladicí vzduchové kanály a žebra válce. V případě nutnosti tato místa vyčistěte.
- Následující úkony údržby provádějte denně po skončení práce:
 - Očistěte vnější části strunové sekačky a zkontrolujte, zda nedošlo k poškození.
 - Vyčistěte vzduchový filtr. Při práci v mimořádně prašném prostředí vyčistěte filtr i několikrát za den.
 - Zkontrolujte, zda nejsou nůž či strunová hlava poškozeny a ujistěte se, zda jsou pevně namontovány.
 - Zkontrolujte, zda je mezi volnoběžnými otáčkami a otáčkami sepnutí spojky dostatečný rozdíl, aby bylo zajištěno, že se ve volnoběžných otáčkách motoru nebude vyžínací nástroj pohybovat (v případě nutnosti volnoběžné otáčky omezte).
Jestliže se ve volnoběžných otáčkách vyžínací nástroj dále otáčí, obraťte se na nejbližšího zástupce autorizovaného servisu.
- Zkontrolujte správnou funkci přepínače start-stop, odjišťovací páčky, ovládací páčky a aretačního tlačítka.

Čištění vzduchového filtru

- Páčku sytiče (4) přesuňte ke straně plně zavřeného stavu a karburátor chráňte před prachem a nečistotami.
- Vyjměte šroub (1).
- Sejměte kryt vzduchového filtru (3).
- Vyjměte pěnovkový prvek (2), vyperte jej ve vlažné vodě a důkladně vysušte.
- Po vyčištění nasadte zpět kryt vzduchového filtru (3) a dotáhněte jej šroubem (1).

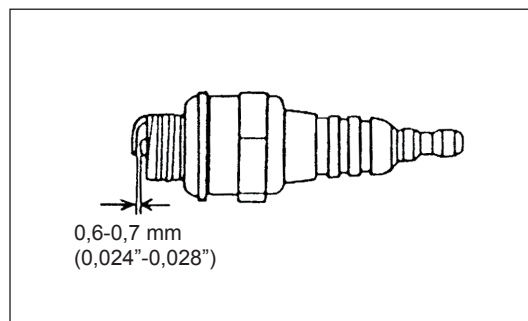
POZNÁMKA: Jestliže je vzduchový filtr příliš zaprášený či znečištěný, čistěte jej každý den. Ucpaný vzduchový filtr může ztížit či znemožnit nastartování motoru nebo zvýšení jeho otáček.



Kontrola zapalovací svíčky

- K demontáži i montáži zapalovací svíčky používejte pouze dodaný univerzální klíč.
- Vzdálenost elektrod zapalovací svíčky musí být 0,6-0,7 mm. Jestliže je vzdálenost příliš velká nebo příliš malá, upravte ji. Pokud je zapalovací svíčka ucpaná karbonem nebo znečištěná, důkladně ji vyčistěte nebo vyměňte.

UPOZORNĚNÍ: Nikdy se nedotýkejte konektoru zapalovací svíčky, jestliže motor běží (nebezpečí úrazu vysokým elektrickým napětím).

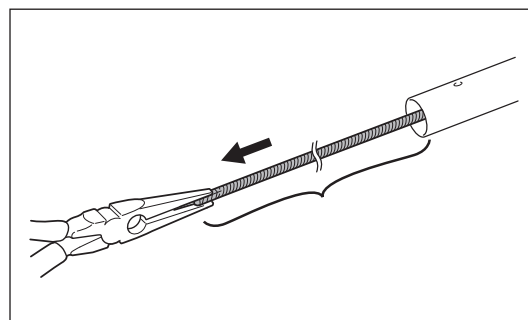
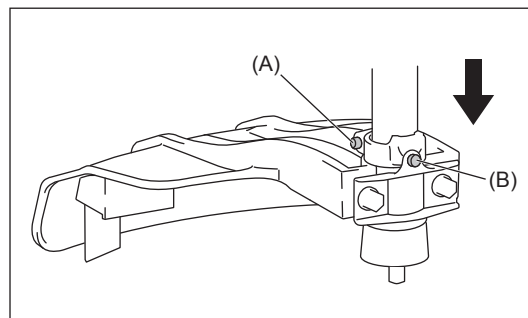


Mazání ohebné hřídele

- Ohebnou hřídel promazávejte po každých 50 hodinách provozu (Shell Alvania 2 nebo ekvivalent). (Originální mazivo DOLMAR zakoupíte u prodejce DOLMAR.)

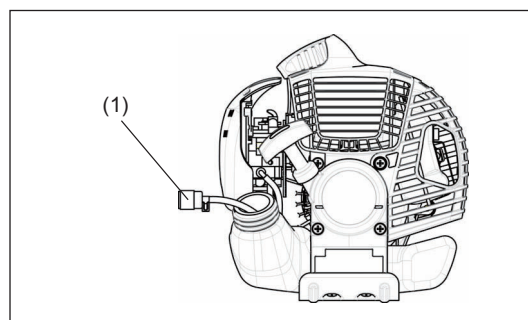
Při mazání postupujte podle následujících kroků:

1. Povolte šrouby (A) a (B).
2. Z hřídelové tyče sejměte jednotku hlavy.
3. Ohebnou hřídel rukou vytáhněte a promažte.



Sací hlava v palivové nádrži

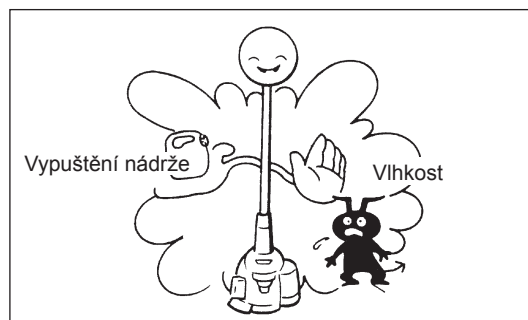
- Palivový filtr (1) sací hlavy slouží k dodávce paliva vstupujícího do karburátoru.
- Palivový filtr pravidelně vizuálně kontrolujte. Kontrolu filtru provedete otevřením víčka plnicího otvoru paliva a vyjmutím sací hlavy pomocí drátěného háčku otvorem nádrže ven. Jestliže je filtr ztvrdlý, obzvláště znečištěný nebo ucpaný, vyměňte jej.
- Nedostatečná dodávka paliva může způsobit překročení maximálních přípustných otáček. Palivový filtr je tedy nutné alespoň jednou za čtvrt roku vyměnit, aby byl zajištěn dostatečný přívod paliva do karburátoru.



Veškeré jiné než v této příručce popsané práce spojené s údržbou či seřizováním musí provádět pouze autorizované servisní středisko.

SKLADOVÁNÍ

- Při dlouhodobějším skladování zařízení vypusťte z palivové nádrže a karburátoru palivo. To provedete jednoduchým vypuštěním veškerého paliva z palivové nádrže. S vypuštěným palivem naložte v souladu s místními platnými zákony.
- Vyjměte zapalovací svíčku a do otvoru svíčky kápněte několik kapek oleje. Potom mírně zatáhněte za startér, aby olej pokryl vnitřek motoru, a dotáhněte zapalovací svíčku.
- Nůž a vnější části motoru očistěte od veškerých nečistot a prachu a otřete je tkaninou namočenou v oleji. Zařízení skladujte na suchém místě.



Plán údržby

Obecně	Sestava motoru, šrouby a matice	Vizuální kontrola poškození a dotažení Kontrola celkového stavu a bezpečnosti
Po každém doplnění paliva	Ovládací páčka Přepínač start-stop	Kontrola funkčnosti Kontrola funkčnosti
Denně	Vzduchový filtr Vedení chladicího vzduchu Vyžínací nástroj Volnoběžné otáčky	Vyčistit Vyčistit Kontrola poškození a naostření Kontrola (vyžínací nástroj nesmí být v pohybu)
Týdně	Zapalovací svíčka Tlumič	Kontrola, v případě nutnosti výměna Kontrola, v případě nutnosti vyčištění otvoru
Jednou za čtvrt roku	Sací hlava Palivová nádrž	Vyměnit Vyčistit
Postup odstavení z provozu	Palivová nádrž Karburátor	Vyprázdnit palivovou nádrž Nechat spuštěný motor, až dojde palivo

Odstraňování problémů

Závada	Systém	Výsledek pozorování	Příčina
Motor nestartuje nebo startuje jen s obtížemi	Systém zapalování	Svíčka dává jiskru Svíčka nedává jiskru	Závada v dodávce paliva nebo v kompresním systému, mechanická vada Přepínač start-stop ve vypnuté poloze, chyba nebo zkrat v elektroinstalaci, vadná zapalovací svíčka nebo konektor, chybný zapalovací modul
	Přívod paliva	V nádrži je palivo	Nesprávná poloha sytiče, vadný karburátor, zablokované nebo přehnuté vedení paliva, znečištěné palivo
	Komprese	Při zatažení za startovací lanko není patrná komprese	Vadné dolní těsnění válce, poškozené těsnění klikového hřídele, vadný válec či pístní kroužky nebo nesprávné těsnění zapalovací svíčky
	Mechanická závada	Startér nezabírá	Zlomená pružina startéru, poškozené díly v motoru
Potíže při startu s teplým motorem		V nádrži je palivo Svíčka dává jiskru	Karburátor je znečištěný, je nutné jej vyčistit
Motor nastartuje, ale zhasne	Přívod paliva	V nádrži je palivo	Nesprávné seřízení volnoběhu, znečištěný karburátor Vadné odvětrání palivové nádrže, přerušené palivové vedení, vadný kabel nebo přepínač start-stop
Nedostatečný výkon	Závada může být současně v několika systémech	Chybný volnoběh motoru	Znečištěný vzduchový filtr, znečištěný karburátor, ucpaný tlumič, ucpané výfukové vedení ve válci

Makita Europe N.V. Jan-Baptist Vinkstraat 2,
3070 Kortenberg, Belgium

Makita Corporation 3-11-8, Sumiyoshi-cho,
Anjo, Aichi 446-8502 Japan