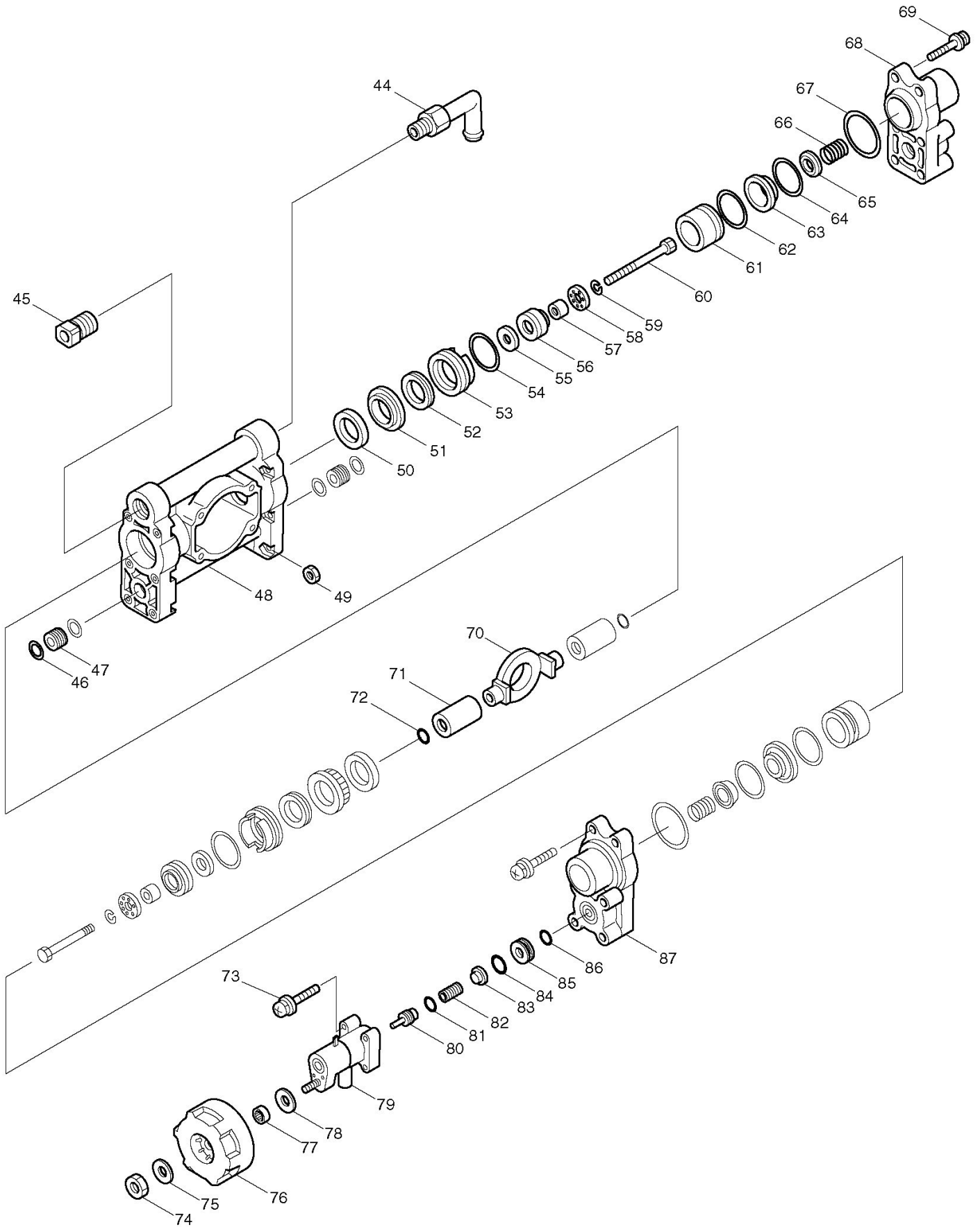
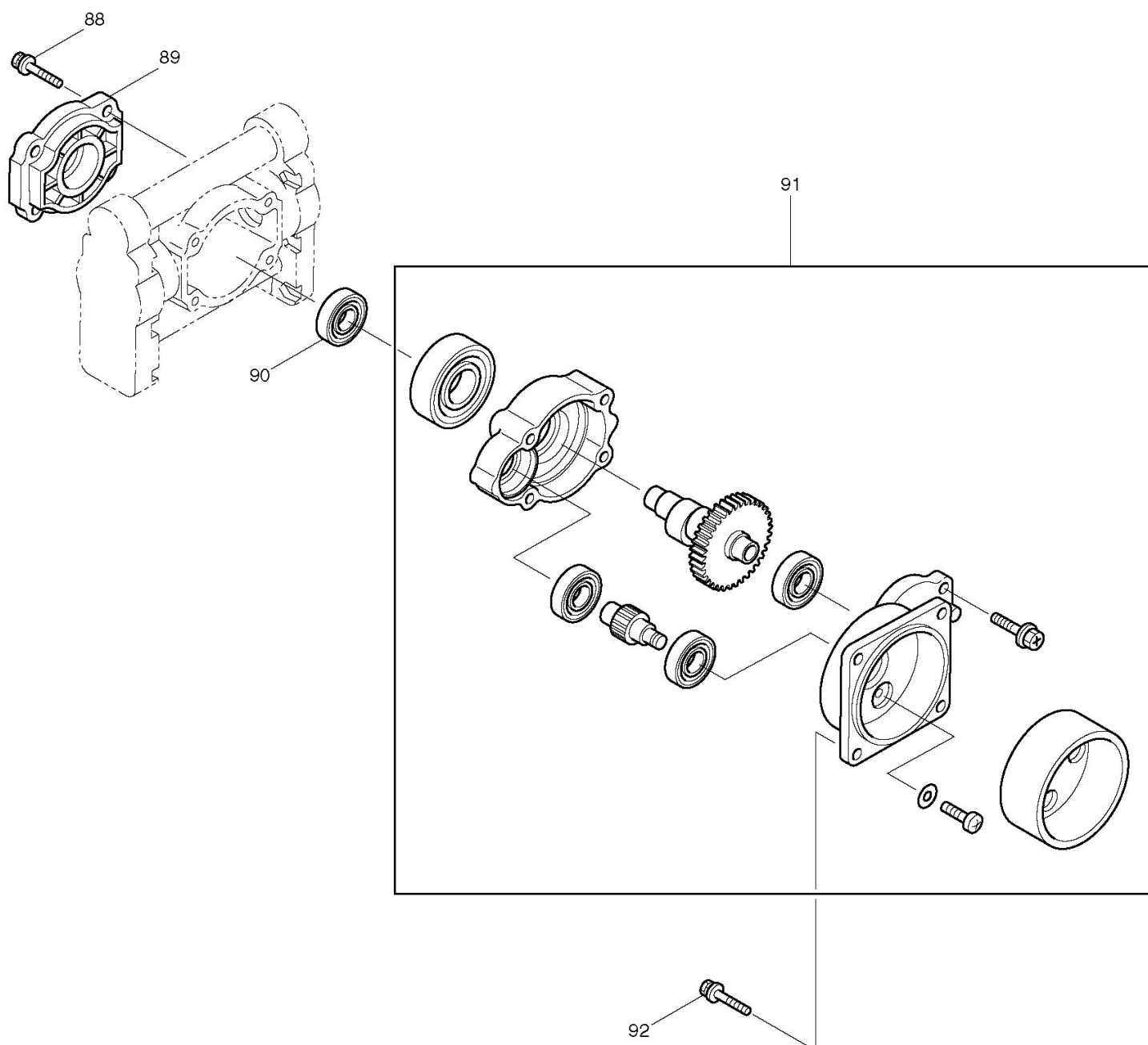


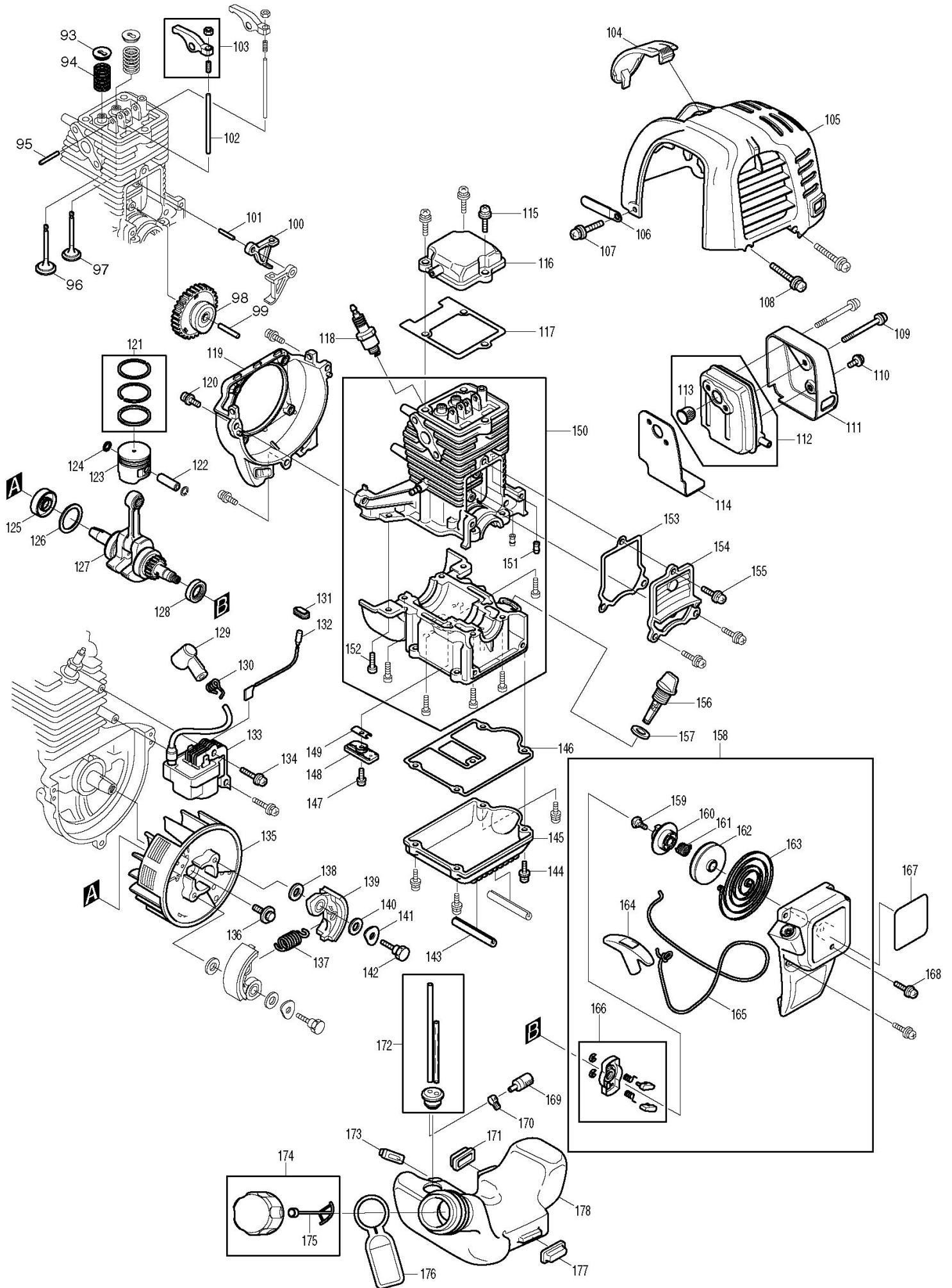
| Posición | Código de la pieza | Name |
|----------|--------------------|-----------------------------|
| 1 | 6908502400 | TUBE,CABLE |
| 2 | 0630039751 | CONTROL CABLE |
| 3 | 0140049770 | TORNILLO CPL M4X16 SP252.4R |
| 4 | 0660000371 | INTERRUPTOR EVH2000 |
| 5 | 6906507500 | PLATE, SWITCH |
| 6 | 0170049990 | NUT M4 |
| 7 | 6906503600 | WIRE |
| 8 | 0140059310 | SCREW M5X14(W) |
| 9 | 0023704000 | FLANGE NUT M4 |
| 10 | 0023705000 | PALOMILLA M5 |
| 11 | 6906505500 | PLATE,CONTROL LEVER |
| 12 | 6945002000 | PALANCA COMPLETA SP252.4R |
| 13 | 0213189970 | GASKET |
| 14 | 6986502100 | JOINT |
| 15 | 6974007000 | PIEZA DE SUCCION SP252.4R |
| 16 | 6904503601 | STRAINER, TANK |
| 17 | 6974001000 | TAPON DEPOSITO SP252.4R |
| 18 | 6909070001 | BAND COMPLETE |
| 19 | 6904017002 | TANK COMPL |
| 20 | 6909539800 | LABEL, CAUTION |
| 21 | 6909539300 | LABEL, TANK |
| 22 | 6908502602 | TUBE,CABLE |
| 23 | 0851289950 | TUBE |
| 24 | 0561149980 | HOSE CLAMP |
| 25 | 6908502501 | TUBE,CABLE |
| 26 | 0851389980 | TUBE |
| 27 | 0561159960 | HOSE,CLAMP |
| 28 | 6974500600 | NUT,SUCTION |
| 29 | 6906504301 | REGULADOR BH2500/3500 |
| 30 | 264092-5 | FLANGE NUT M6 |
| 31 | 0011005400 | BOLT AY M5X40 |
| 32 | 0031205000 | ARANDELA PARA PB250 |
| 33 | 6906507301 | PLATE |
| 34 | 6901504301 | BOLT |
| 35 | 0023704000 | FLANGE NUT M4 |
| 36 | 0561159970 | HOSE CLAMP |
| 37 | 0043604203 | SCREW ASSEMBLY M4X20 |
| 38 | 6904507500 | HOOK |
| 39 | 453615-6 | CAP |
| 40 | 6904500300 | GASKET, BLIND |
| 41 | 6904507400 | CUSHION |
| 42 | 0031205000 | ARANDELA PARA PB250 |
| 43 | 0043605120 | TORNILLO PMI COMP 5X12 |



| Posición | Código de la pieza | Name |
|----------|--------------------|-----------------------|
| 44 | MR00102661 | ELBOW |
| 45 | MR00108460 | PLUG |
| 46 | MR00014175 | O RING |
| 47 | MR00100554 | PIPE |
| 48 | MR00121832 | CRANK CASE AY |
| 49 | MR00081238 | NUT M5 |
| 50 | MR00102683 | OIL SEAL |
| 51 | MR00106190 | COLLAR |
| 52 | MR00112252 | SEAL PACKING |
| 53 | MR00102358 | SEAL HOLDER |
| 54 | MR00013977 | O RING |
| 55 | MR00043426 | SUCTION VALVE |
| 56 | MR00100441 | PISTON PACKING AY |
| 57 | MR00023357 | SUCTION VALVE COLLAR |
| 58 | MR00022023 | SUCTION VALVE STOPPER |
| 59 | MR00015848 | SPRING WASHER M5 |
| 60 | MR00118357 | BOLT M5X45X22 |
| 61 | MR00103130 | CYLINDER PIPE |
| 62 | MR00023172 | O RING |
| 63 | MR00118018 | VALVE SEAT |
| 64 | MR00103575 | O RING |
| 65 | MR00043723 | VALVE |
| 66 | MR00043360 | COIL SPRING |
| 67 | MR00013983 | O RING |
| 68 | MR00103128 | CYLINDER HEAD A |
| 69 | MR00121956 | SCREW AY M5X32(W,SW) |
| 70 | XMR0121179 | CORN ROD |
| 71 | MR00118055 | SLEEVE |
| 72 | MR00021549 | O RING |
| 73 | MR000816036 | SCREW AY M5X60(W,SW) |
| 74 | MR00081039 | NUT M8 |
| 75 | MR00014065 | WASHER M8 |
| 76 | MR00107198 | CAM HANDLE |
| 77 | MR00103270 | COLLAR |
| 78 | MR00020012 | WASHER |
| 79 | MR00103132 | SPRING CASE |
| 80 | MR00121618 | SPRING HOLDER |
| 81 | MR00011682 | O RING |
| 82 | MR00103759 | SPRING |
| 83 | MR00121619 | VALVE |
| 84 | MR00011346 | O RING |
| 85 | MR00103746 | VALVE SEAT |
| 86 | MR00011343 | O RING |
| 87 | MR00102634 | CYLINDER HEAD B |

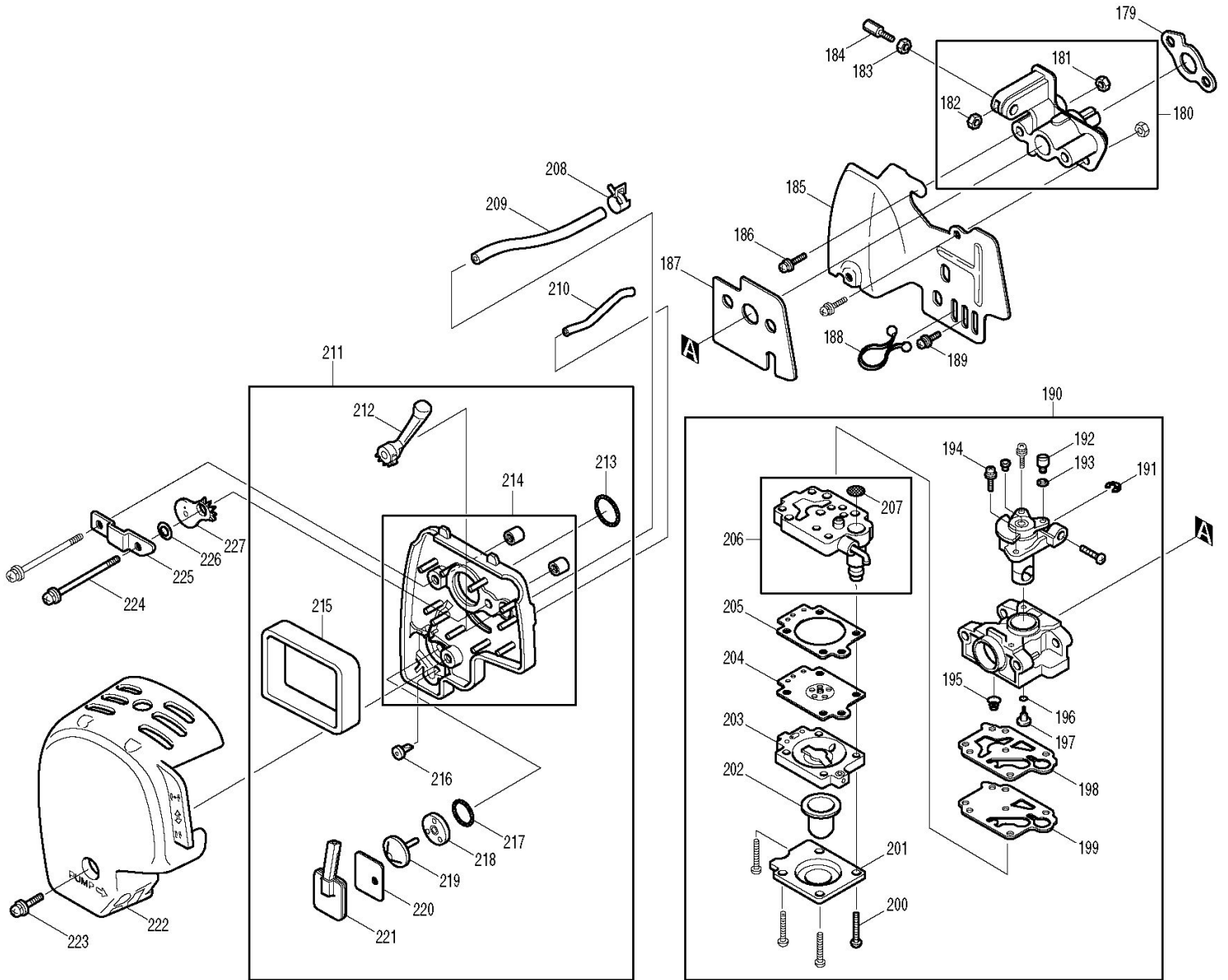


| Posición | Código de la pieza | Name |
|----------|--------------------|---------------|
| 88 | MR00118085 | BOLT AY M6X55 |
| 89 | MR00118006 | BEARING CASE |
| 90 | MR00102680 | BEARING |
| 91 | MR00122013 | MISSION UNIT |
| 92 | 0011606160 | BOLT M6X16 |



| Posición | Código de la pieza | Name |
|----------|--------------------|-------------------------------|
| 93 | 325668-4 | CABEZA VALVULA EBH252 |
| 94 | 234108-0 | MUELLE VALVULA EBH252 |
| 95 | 256200-2 | BULON BALANCIN EBH252 |
| 96 | 326367-1 | INTAKE VALVE |
| 97 | 326366-3 | EXHAUST VALVE |
| 98 | 125552-1 | CORONA EBH252 |
| 99 | 268238-5 | BULON 5 EBH252U |
| 100 | 313169-4 | LEVA ARRANQUE EBH252 |
| 101 | 268239-3 | BULON 4 EBH252 |
| 102 | 256865-0 | EJE BALANCIN EBH252 |
| 103 | 125554-7 | BALANCIN EBH252 |
| 104 | 450568-0 | TAPA BUJIA EBH252 |
| 105 | 5925500900 | PROTECTOR DE CILINDRO MS250.4 |
| 106 | 345963-6 | PINZA SUJECCION EBH252 |
| 107 | 266808-4 | TORNILLO CPL MS352.4R |
| 108 | 0140049770 | TORNILLO CPL M4X16 SP252.4R |
| 109 | 266440-4 | TORNILLO 5X40 EBH252 |
| 110 | 0140059962 | TORNILLO M5 X 6 EM4250 |
| 111 | 345915-7 | TAPA ESCAPE EBH252 |
| 113 | 324980-9 | SALIDA PB252 |
| 114 | 345916-5 | JUNTA ESCAPE EBH252 |
| 115 | 266813-1 | TORNILLO M5X16 MS352.4R |
| 116 | 140023-7 | TAPA CILINDRO EBH252 |
| 117 | 162275-0 | JUNTA TAPA CILINDRO EBH252 |
| 118 | 168401-9 | Bujía CMR6A |
| 119 | 5255501100 | CARCASA SOPLADOR BH2500/3500 |
| 120 | 266812-3 | TORNILLO M5X16 MS352.4R |
| 121 | 196595-0 | PISTON RING SET |
| 122 | 257781-9 | BULON PISTON EBH252 |
| 123 | 318441-9 | PISTON EBH252 |
| 124 | 233976-8 | CLIP PISTON EBH252 |
| 125 | 213147-3 | RETEN 12 EBH252 |
| 126 | 267400-9 | ARANDELA 23 EBH252 |
| 127 | 135374-1 | CIGUEÑAL EBH252 |
| 128 | 213769-9 | RETEN 10 EBH252 |
| 129 | 424105-6 | TAPA BUJIA EBH252 |
| 130 | 324891-8 | MUELLE BUJIA EBH252 |
| 131 | 5257500300 | ARANDELA AISLANTE PARA EH561 |
| 132 | 638665-4 | LED INDICADOR EBH252 |
| 133 | 168501-5 | BOBINA EBH252 |
| 134 | 0119049970 | SOCKET HEAD BOLT M4X20 |
| 135 | 318343-9 | PLATO MAGNETICO EBH252 |
| 136 | 265577-4 | TORNILLO PLATO MAG EHB252U |
| 137 | 5258001010 | MUELLE DE EMBRAGUE MS352.4R |
| 138 | 267429-5 | ARANDELA PARA MS3500 |
| 139 | 5928008010 | ZAPATA DE EMBRAGUE MS352.4R |
| 140 | 0031008000 | ARANDELA |
| 141 | 267817-6 | ARANDELA 8 EBH252 |

| | | |
|-----|------------|-------------------------------|
| 142 | 266457-7 | TORNILLO EMBRAGUE 6X25 EBH252 |
| 143 | 424530-1 | OIL CASE GUARD |
| 144 | 266811-5 | TORNILLO ALLEN M5 X 14 EM4250 |
| 145 | 318442-7 | TAPA CARTER INFERIOR EBH252 |
| 146 | 162276-8 | JUNTA CARTER EBH252 |
| 147 | 0119049980 | TORNILLO ALLEN M4 X 10 EM4250 |
| 148 | 318440-1 | PLACA RETEN EBH252 |
| 149 | 346083-9 | VALVULA PLOMO EBH252 |
| 151 | 424200-2 | CASQUILLO EBH252 |
| 152 | 266811-5 | TORNILLO ALLEN M5 X 14 EM4250 |
| 153 | 162274-2 | JUNTA CULATA EBH252 |
| 154 | 318443-5 | TAPA CULATA EBH252 |
| 155 | 266811-5 | TORNILLO ALLEN M5 X 14 EM4250 |
| 156 | 450565-6 | VARILLA ACEITE EBH252 |
| 157 | 424100-6 | JUNTA VARILLA EBH252 |
| 159 | 266585-8 | TORNILLO 5X12 EBH252 |
| 160 | 451940-9 | DISCO DE LEVA SP252.4R |
| 161 | 233984-9 | MUELLE DE CIERRE SP252.4R |
| 162 | 451939-4 | CARRETE SP252.4R |
| 163 | 232258-5 | MUELLE ARRANQUE EBH252 |
| 164 | 424319-7 | PUÑO ARRANQUE EBH252 |
| 165 | 5925006010 | STARTER SP252.4R |
| 166 | 168471-8 | POLEA TRINQUETES MS246.4 |
| 167 | 6909539600 | LABEL, MODEL |
| 168 | 0140049770 | TORNILLO CPL M4X16 SP252.4R |
| 169 | 163447-0 | FILTRO DE GASOLINA PS220TH |
| 170 | 345920-4 | ABRAZADERA FILTRO EBH252 |
| 171 | 424103-0 | PLACA DEPOSITO EBH252 |
| 172 | 168472-6 | TUBO COMBUSTIBLE EBH252 |
| 173 | 424102-2 | PLACA DEPOSITO EBH252 |
| 175 | 140436-2 | SUJECCION TAPON EBH252 |
| 176 | 6249501501 | CORDON PARA TAPON EM4250 |
| 177 | 424104-8 | PLACA DEPOSITO EBH252 |
| 178 | 450566-4 | DEPOSITO GASOLINA EBH252 |



| Posición | Código de la pieza | Name |
|----------|--------------------|--------------------------------|
| 179 | 413120-5 | JUNTA ADMISION EBH252 |
| 181 | 0021705000 | TUERCA M5 PARA MS4200K |
| 182 | 0022706000 | TUERCA M6 |
| 183 | 0022706000 | TUERCA M6 |
| 184 | 0149060120 | ADJUSTING SCREW |
| 185 | 5923502000 | AISLANTE DE CARBURADOR EM4250 |
| 186 | 266787-6 | TORNILLO 5X18 EBH252 |
| 187 | 413121-3 | JUNTA CARBURADOR EBH252 |
| 188 | 450562-2 | ABRAZADERA EBH252 |
| 189 | 922213-2 | TORNILLO 5X12 EBH252 |
| 191 | 257964-1 | ANILLO CIERRE EBH252 |
| 192 | 325922-6 | PIVOTE EBH252 |
| 193 | 413140-9 | ARANDELA EBH252 |
| 194 | 266581-6 | TORNILLO 3X8 EBH252U |
| 195 | 234183-6 | MUELLE CONICO EBH252 |
| 196 | 213538-8 | JUNTA TORICA 2 EBH252 |
| 197 | 325924-2 | CAÑO EBH252 |
| 198 | 442155-9 | JUNTA BOMBA EBH252 |
| 199 | 168575-6 | JUNTA CARBURADOR EBH252 |
| 200 | 266582-4 | TORNILLO 3X24 EBH252 |
| 201 | 346270-0 | TAPA CEBADOR EBH252 |
| 202 | 424314-7 | CEBADOR EBH252 |
| 203 | 140438-8 | CUERPO PURGADOR EBH252 |
| 204 | 168574-8 | DIAFRAGMA EBH252 |
| 205 | 442154-1 | JUNTA DIAFRAGMA EBH252 |
| 207 | 352010-6 | FILTO ENTRADA EBH252 |
| 208 | 345918-1 | ABRAZADERA TUBO EBH252 |
| 209 | 422041-0 | TUBO RESPIRADERO EBH252 |
| 210 | 422042-8 | TUBO EBH252 |
| 212 | 451925-5 | PALANCA AIRE EBH252 |
| 213 | 213540-1 | JUNTA TORICA 15 EBH252 |
| 214 | 5923006002 | AIR CLEANER PLATE COMPLETE |
| 215 | 5923503200 | FILTRO DE AIRE EM4250 |
| 216 | 424316-3 | VALVULA CONTROL EBH252 |
| 217 | 213539-6 | JUNTA TORICA 14 EBH252 |
| 218 | 451924-7 | PLACA VALVULA EBH252 |
| 219 | 424315-5 | VALVULA EBH252 |
| 220 | 168577-2 | JUNTA SEPARADOR EBH252 |
| 221 | 168576-4 | SEPARATOR PLATE EBH252 |
| 222 | 5923502700 | CUBIERTA FILTRO DE AIRE EM4250 |
| 223 | 266809-2 | TORNILLO 5X14 |
| 224 | 265188-5 | TORNILLO 5X68 EBH252 |
| 225 | 345919-9 | PLACA EBH252 |
| 226 | 423376-2 | JUNTA EBH252 |
| 227 | 450560-6 | PLACA AIRE EBH252 |