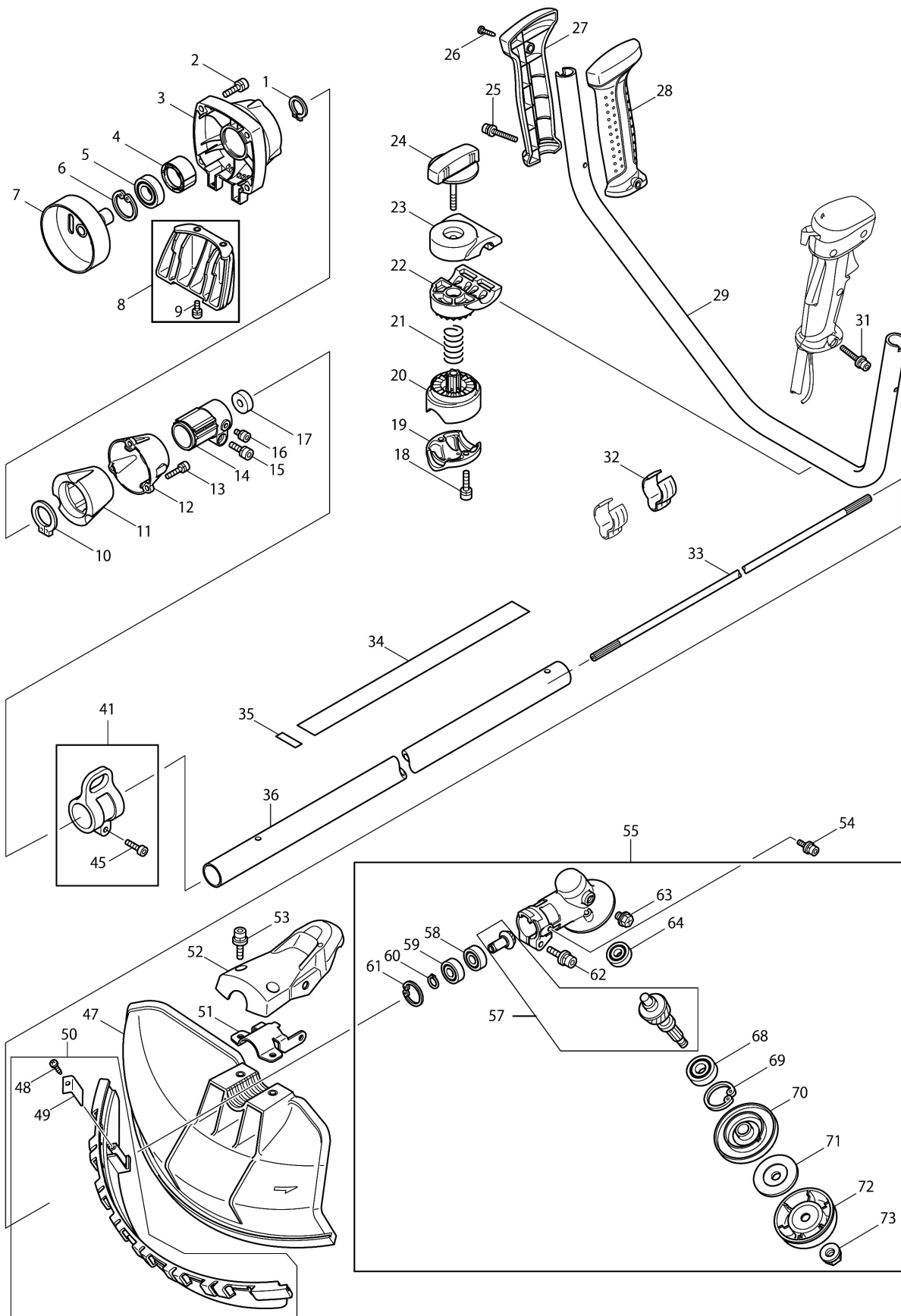
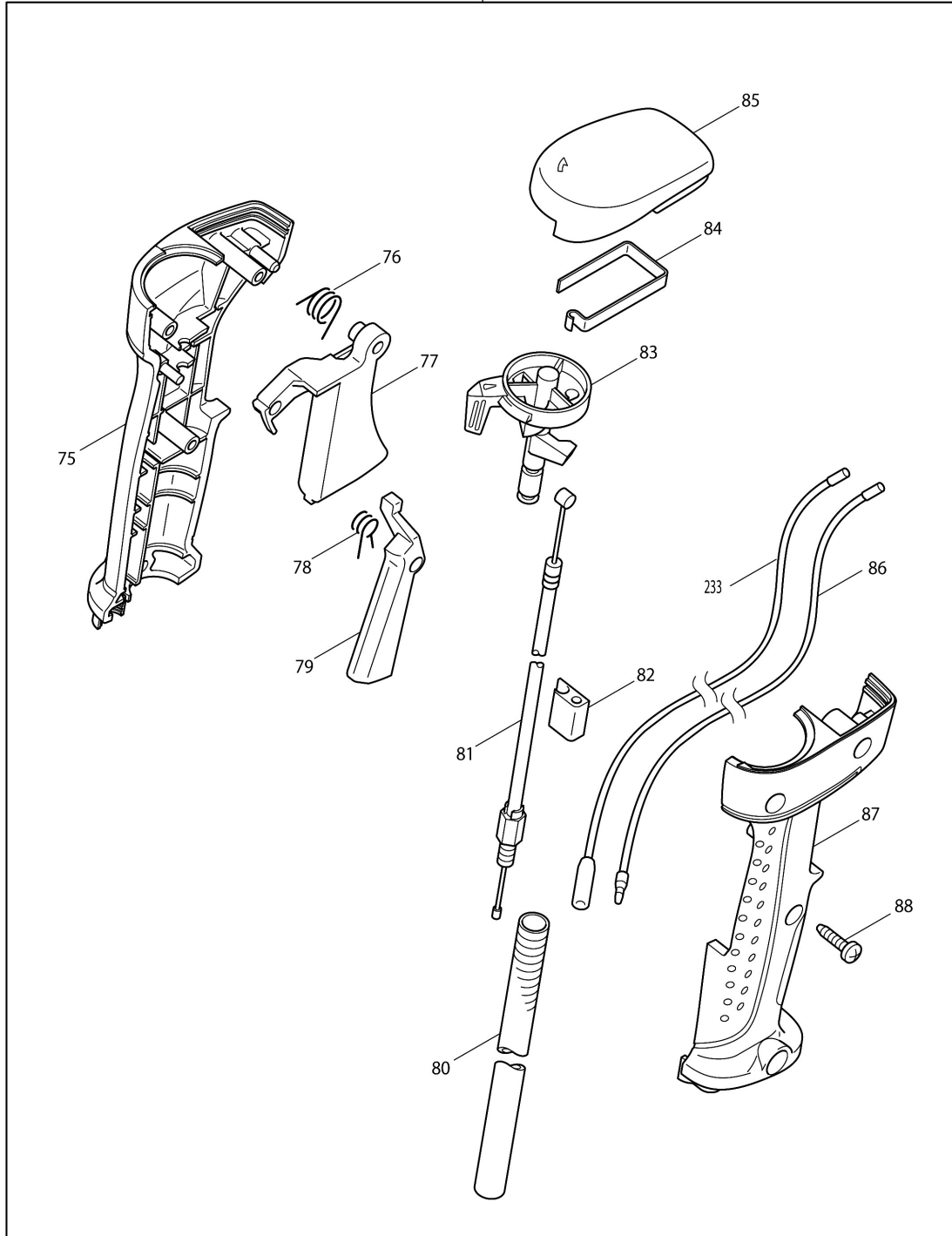


Model No. MS335.4U BRUSH CUTTER

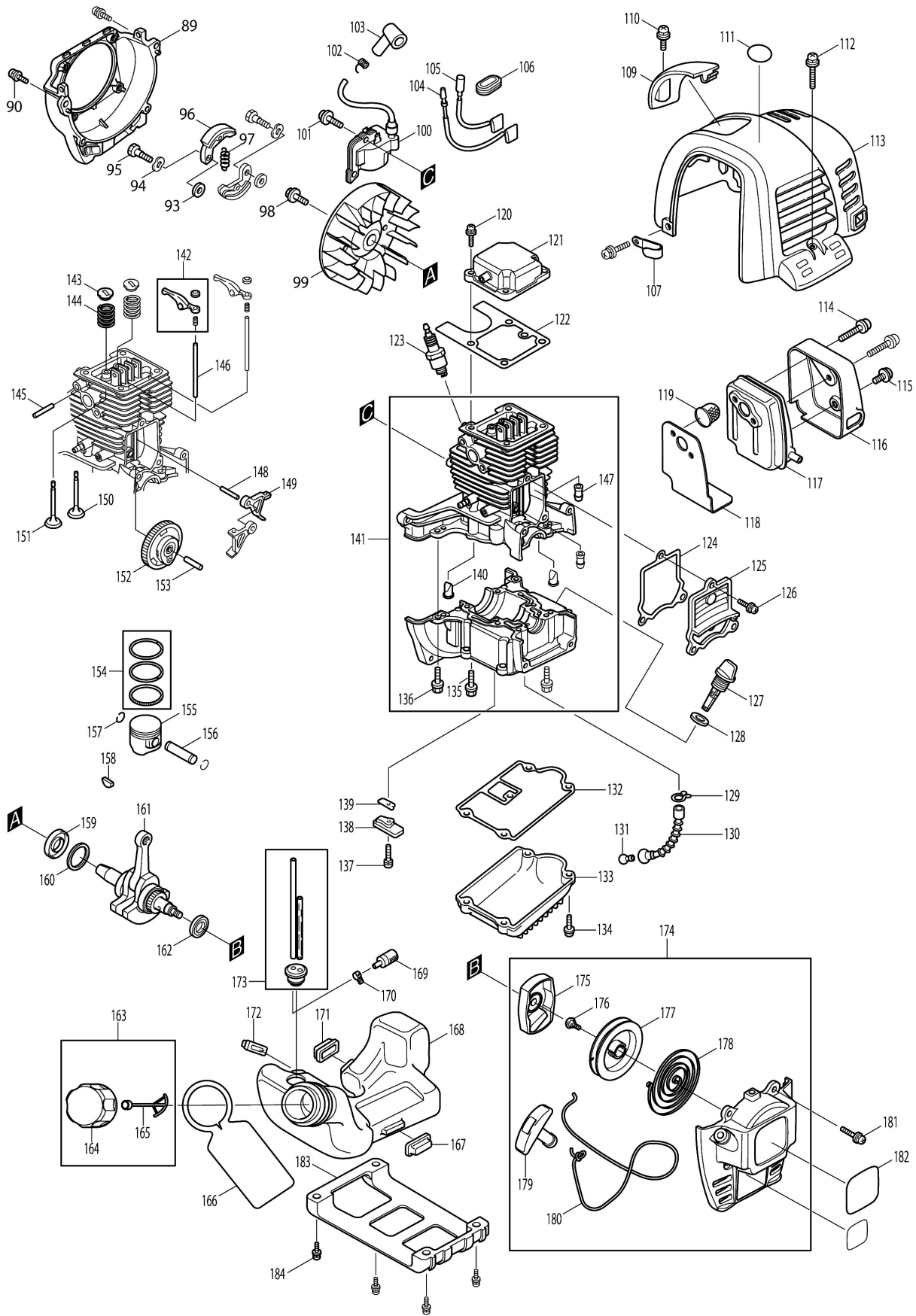


Model No. MS335.4U BRUSH CUTTER

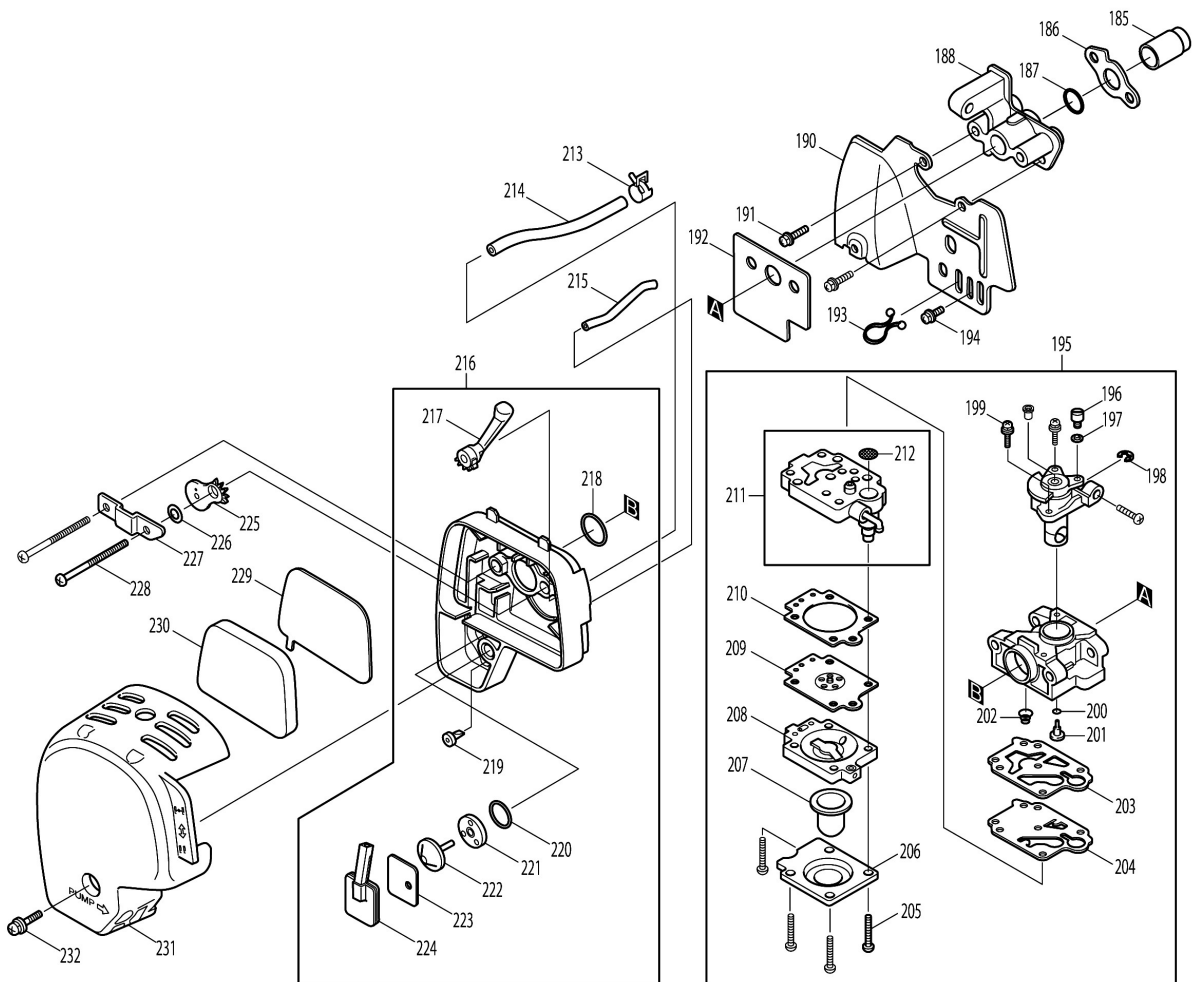
74



Model No. MS335.4U BRUSH CUTTER



Model No. MS335.4U BRUSH CUTTER



Model No.MS335.4U BRUSH CUTTER

Položka	Objednávací číslo	Popis	Zmena	ks	New/Old	Možnosť 1	Možnosť 2	Poznámka
001	961057-5	POISTNÝ KRÚŽOK S-17		1				
002	922331-6	IMBUSOVA SKRUTKA M6		4				
003	318421-5	CLUTCH CASE		1				
004	451157-4	SPACER		1				
005	211338-0	BALL BEARINNG 6003LLU		1	*			
005-1	210126-2	BALL BEARING 6003LLU	O	1				
006	962153-2	POISTNÝ KRÚŽOK R-35 962153-2		1				
007	165577-3	CLUTCH DRUM		1				
008	195144-0	STAND SET		1				
D10		INC. 9						
009	911218-7	PAN HEAD SCREW M5X14		2				
010	961151-3	RETAINING RING S-32		1				
011	424204-4	DAMPER		1				
012	318453-2	PIPE RETAINER		1				
013	922231-0	HEX. SOCKET HEAD BOLT M5X20		3				
014	318454-0	PIPE BRACKET		1				
015	922331-6	IMBUSOVA SKRUTKA M6		1				
016	922201-9	INBUSOVÁ SKRUTKA 5X8 922201-9		1				
017	443146-3	FELT RING 8		1				
018	922341-3	SKRUTKA M6x25		2				
019	318422-3	PIPE CLAMP		1				
020	318423-1	PIPE HOLDER		1				
021	233202-5	PRUŽINA PRÍTLAČNÁ 20		1				
022	318424-9	HANDLE HOLDER		1				
023	318425-7	HANDLE CLAMP		1				
024	168524-3	KNOB 57		1	*			
024-1	168796-0	KNOB 57	<	1				
025	922256-4	IMBUSOVA SKRUTKA M5X35 2012NB		1				
026	266326-2	SKRUTKA SAMOREZNÁ		1				
027	451088-7	GRIP L		1	*			
027-1	188660-9	GRIP SET	S	1				
D10		INC. 28						
028	451089-5	GRIP R		1	*			
028-1	188660-9	GRIP SET	S	1				
D10		INC. 27						
029	331863-6	HANDLE 22		1				
031	922256-4	IMBUSOVA SKRUTKA M5X35 2012NB		1				
032	451525-1	WIRE CLAMP		2				
033	325675-7	SHAFT		1				
034	810513-1	CAUTION LABEL		1				
035	816551-1	SERIAL NO. LABEL		1	*			
035-1	819760-1	DATE CODE LABEL	<	1	*			
035-2	814A82-0	DATE CODE LABEL	X	1	*			
035-3	801D19-4	SERIAL NO. LABEL	<	1				
036	140042-3	SHAFT PIPE COMPLETE		1				

Model No.MS335.4U BRUSH CUTTER

Položka	Objednávacie číslo	Popis	Zmena	ks	New/Old	Možnosť 1	Možnosť 2	Poznámka
041	125558-9	HANGER ASSEMBLY		1				
D10		INC. 45						
045	922233-6	HEX SOCKET HEAD BOLT M5X20		1	*			
045-1	922232-8	HEX. SOCKET HEAD BOLT M5X20	<	1				
046	931202-6	Skrutka M5		1				
047	451091-8	KRYT NOŽA kpl. EBH341U		1	*			
047-1	452259-9	PROTECTOR	S	1				
048	266326-2	SKRUTKA SAMOREZNÁ		1				
049	346074-0	Nôž OREZÁVACÍ EBH252U		1				
050	135361-0	PROTECTOR EXTENSION ASSY		1	*			
D10		INC. 48,49			*			
050-1	135398-7	KRYT NOŽA EBH252U	S	1				
D10		INC. 48,49						
051	346072-4	DRŽIAK KRYTU HLAVY EBH341		1				
052	451090-0	KRYT EBH341		1				
053	922353-6	INBUSOVA SKRUTKA		2	*			
053-1	266579-3	HEX SOCKET HEAD BOLT M6X30	<	2				
054	922218-2	INBUSOVA SKRUTKA M5X14		2				
055	125557-1	PREVOD UHLOVÝ EBH341		1	*			
D10		INC. 57-64,68-73			*			
055-1	126260-7	GEAR CASE ASSEMBLY	O	1	*			
C10	213459-4	O-KRÚŽOK 32 SR23/HK18/HR22/35 HM0810		1	*			
D10		INC. 57-64,68-73			*			
055-2	126310-8	GEAR CASE ASSEMBLY	O	1	*			
C10	213459-4	O-KRÚŽOK 32 SR23/HK18/HR22/35 HM0810		1	*			
D10		INC. 57-64,68-73			*			
055-3	123835-3	GEAR CASE ASSEMBLY	S	1				
D10		INC. 57-64,68-73						
057	188865-1	CUTTER SHAFT SET		1	*			
057-1	187644-4	CUTTER SHAFT SET	O	1	*			
057-2	183K07-8	CUTTER SHAFT SET	O	1				
058	211064-1	LOŽISKO GULIČKOVÉ 6000		1	*			
058-1	210161-0	BALL BEARING 6000	>	1				
059	211062-5	LOŽISKO GULIČKOVÉ 6000ZZ		1	*			
059-1	210160-2	BALL BEARING 6000ZZ	>	1				
060	961006-2	POISTNY KRUZOK S-10		1	*			
060-1	257408-1	RETAINING RING(EXT) S-10	O	1				
061	962105-3	POISTNY KRUZOK R-26 962105-3		1	*			
061-1	257988-7	RETAINING RING (INT) R-26	O	1				
062	922353-6	INBUSOVA SKRUTKA		1				
063	265590-2	SKRUTKA M8x10		1				
064	210081-8	BALL BEARING 629ZZ		1	*			
064-1	210159-7	BALL BEARING 629ZZ	>	1				
068	210116-5	BALL BEARING 6201LLU		1				

Model No.MS335.4U BRUSH CUTTER

Položka	Objednávacie číslo	Popis	Zmena	ks	New/Old	Možnosť 1	Možnosť 2	Poznámka
069	962151-6	POISTNY KRUZOK R-32		1	*			
069-1	257409-9	RETAINING RING(INT) R-32	O	1				
070	331860-2	RECEIVE WASHER		1	*			
070-1	332114-0	RECEIVE WASHER	<	1	*			
070-2	326823-1	RECEIVE WASHER	O	1				
071	346084-7	PODLOŽKA MS335.4U		1	*			
071-1	346355-2	CLAMP WASHER	<	1				
072	168526-9	PODLOŽKA NOŽA		1				
073	264025-0	MATICA 6HR		1				
074	125545-8	LANKO KPL. EBH341		1				
D10		INC. 75-88,233						
075	451086-1	LEVER CASE L		1	*			
075-1	188657-8	LEVER CASE SET	S	1	*			
D10		INC. 87			*			
075-2	183A09-4	LEVER CASE SET	S	1				
D10		INC. 87						
076	233540-5	TORSION SPRING 11		1				
077	451084-5	THROTTLE LEVER		1				
078	233541-3	TORSION SPRING 7		1				
079	451083-7	LOCK OFF LEVER		1				
080	451213-0	CORRUGATE TUBE		1				
081	168539-0	CONTROL CABLE		1				
082	451081-1	CABLE HOLDER		1				
083	451082-9	SWITCH LEVER		1				
084	232251-9	PRUŽINA PRÍTLAČNÁ		1				
085	451085-3	SWITCH COVER		1	*			
085-1	455722-1	SWITCH COVER	S	1				
086	638663-8	LEAD UNIT		1				
087	451087-9	LEVER CASE R		1	*			
087-1	188657-8	LEVER CASE SET	S	1	*			
D10		INC. 75			*			
087-2	183A09-4	LEVER CASE SET	S	1				
D10		INC. 75						
088	266326-2	SKRUTKA SAMOREZNÁ		3				
089	318614-4	BLOWER HOUSING		1				
090	922223-9	H.S.H.BOLT M5X16 WITH WR		4				
093	267424-5	FLAT WASHER 8		2	*			
093-1	253762-1	FLAT WASHER 8	O	2				
094	267832-0	WAVE WASHER 10		2				
095	266571-9	SHOULDER HEX. BOLT M8X23		2				
096	168563-3	CLUTCH SHOE		2	*			
096-1	125757-3	CLUTCH ASSEMBLY	S	1				
C10	AN04002000	CLUTCH SHOE		2				
D10		INC. 97						
097	231863-5	TENSION SPRING 9		1	*			

Model No.MS335.4U BRUSH CUTTER

Položka	Objednávacie číslo	Popis	Zmena	ks	New/Old	Možnosť 1	Možnosť 2	Poznámka
097-1	AN02010000	TENSION SPRING 9	S	1	*			
097-2	AN02010C00	TENSION SPRING 9	O	1				
098	265577-4	HEX HEAD BOLT M6X16		1				
099	318611-0	FLYWHEEL		1	*			
099-1	319035-3	FLYWHEEL	O	1				
100	168501-5	ZAPALOVANIE EBH252,4		1	*			
100-1	168816-0	IGNITION COIL	S	1				
101	922138-0	SKRUTKA M4X20MM		2				
102	324891-8	PLUG CAP SPRING		1				
103	424105-6	PLUG CAP		1				
104	638664-6	LEAD UNIT		1	*			
104-1	632E38-3	LEAD UNIT	S	1				
105	638665-4	LEAD UNIT		1	*			
105-1	632E39-1	LEAD UNIT	S	1				
106	424313-9	GROMMET		1				
107	345963-6	CLAMP		1				
109	451876-2	PLUG COVER		1	*			
109-1	451876-2	PLUG COVER	O	1				
110	266572-7	+ TRUSS HEAD SCREW M5X8		1				
111	808633-3	4STROKE INDICATION LABEL		1	*			
112	265187-7	PAN HEAD SCREW M5X12		3	*			
112-1	911213-7	SKRUTKA M5x12	O	3				
113	451884-3	CYLINDER COVER		1				
114	266440-4	HEX SOCKET HEAD BOLT M5X40		2				
115	265184-3	+TRUSS HEAD SCREW M5X5		1				
116	345915-7	MUFFLER COVER		1				
117	168469-5	VÝFUK EBH252U		1				
118	345916-5	MUFFLER GASKET		1				
119	324980-9	SPARK ARRESTER		1				
120	266495-9	HEX.SOCKET HEAD BOLT M5X14		4	*			
120-1	922217-4	HEX. SOCKET HEAD BOLT M5X14	O	4				
121	140419-2	ROCKER COVER COMPLETE		1				
122	162307-3	ROCKER COVER GASKET		1				
123	168534-0	SVIEČKA EBH252U		1				
124	162274-2	CAM GEAR COVER GASKET		1				
125	318443-5	CAM GEAR COVER		1				
126	922212-4	IMBUSOVA SKRUTKA M5x12		3				
127	450565-6	OIL GAUGE		1				
128	424100-6	GASKET		1				
129	282020-8	HOSE CLAMP		1				
130	424202-8	OIL TUBE		1				
131	325666-8	OIL WEIGHT		1				
132	162308-1	CASE GASKET		1				
133	318612-8	OIL CASE		1				
134	266495-9	HEX.SOCKET HEAD BOLT M5X14		4	*			

Model No.MS335.4U BRUSH CUTTER

Položka	Objednávacie číslo	Popis	Zmena	ks	New/Old	Možnosť 1	Možnosť 2	Poznámka
134-1	922217-4	HEX. SOCKET HEAD BOLT M5X14	O	4				
135	266573-5	HEX. SOCKET HEAD BOLT M5X33		4				
136	266570-1	HEX. SOCKET HEAD BOLT M5X16		4	*			
136-1	922222-1	IMBUSOVA SKRUTKA M5x16	O	4				
137	266569-6	HEX. SOCKET HEAD BOLT M4X10		1	*			
137-1	922112-8	IMBUSOVA SKRUTKA 4x10	O	1				
138	318440-1	RETAINER PLATE		1				
139	346083-9	LEAD VALVE		1				
140	424201-0	CHECK VALVE		2				
141	135373-3	VALEC+BLOK MOTORA EBH341		1				
D10		INC. 135,136,140,147						
142	125554-7	ROCKER ARM ASSEMBLY		2				
143	325912-9	SPRING RETAINER		2				
144	234181-0	COMPRESSION SPRING 11		2	*			
144-1	234181-0	COMPRESSION SPRING 11	O	2				
145	256200-2	KOLÍK 5 2704		1				
146	256866-8	ROD 2.5		2				
147	424200-2	SPACER		2				
148	268239-3	PIN 4		1				
149	313169-4	CAM LIFTER		2				
150	325913-7	EXHAUST VALVE		1				
151	325914-5	INTAKE VALVE		1				
152	125552-1	CAM GEAR ASSEMBLY		1				
153	268238-5	PIN 5		1				
154	195141-6	PISTON RING SET		1				
155	318613-6	PISTON		1	*			
155-1	197454-1	PISTON SET	<	1				
C10	318613-6	PISTON		1				
D10		INC. 154,157						
156	257796-6	PISTON PIN		1				
157	233983-1	CLIP		2				
158	254040-2	WOODRUFF KEY 3		1				
159	213537-0	OIL SEAL 12		1				
160	267425-3	FLAT WASHER 26		1				
161	125756-5	CRANKSHAFT ASSEMBLY		1	*			
161-1	125756-5	CRANKSHAFT ASSEMBLY	O	1				
162	213148-1	TESNIACI KRÚŽOK 10 EBH252U		1	*			
162-1	213769-9	OIL SEAL 10	<	1				
163	125472-9	FUEL TANK CAP ASSEMBLY		1	*			
D10		INC. 164,165			*			
163-1	127108-6	FUEL TANK CAP ASSEMBLY	O	1				
D10		INC. 164,165						
164	140435-4	FUEL TANK CAP		1	*			
164-1	127109-4	FUEL TANK CAP ASSEMBLY	O	1				
165	140436-2	STRAP COMPLETE		1				

Model No.MS335.4U BRUSH CUTTER

Položka	Objednávacie číslo	Popis	Zmena	ks	New/Old	Možnosť 1	Možnosť 2	Poznámka
166	810455-9	CAUTION PLATE		1				
167	424104-8	DAMPER		1				
168	451877-0	FUEL TANK		1				
169	163447-0	FILTER PALIVOVÝ DCS230T		1	*			
169-1	163447-0	FILTER PALIVOVÝ DCS230T	O	1				
170	345920-4	HOSE CLAMP		1				
171	424103-0	PLATE		1				
172	424102-2	PLATE		1				
173	162309-9	TUBE		1				
174	195142-4	RECOIL STARTER SET		1	*			
D10		INC. 175-180			*			
174-1	126475-6	STARTER COVER ASSEMBLY	<	1				
D10		INC. 175-180						
175	165606-2	PULLEY		1	*			
175-1	168827-5	PULLEY	O	1				
176	266580-8	TAPPING SCREW 5X10		1				
177	451923-9	REEL		1				
178	232257-7	SPIRAL SPRING		1				
179	424317-1	STARTER KNOB		1				
180	444018-5	STARTER ROPE		1				
181	911218-7	PAN HEAD SCREW M5X14		4				
182	816453-1	MS335.4U MODEL NO. LABEL		1				
183	162310-4	TANK GUARD		1				
184	911218-7	PAN HEAD SCREW M5X14		4	*			
184-1	266809-2	P.H.SCREW M5X14 WITH WR	<	4				
185	325915-3	INTAKE PIPE		1				
186	413120-5	INSULATOR GASKET		1				
187	213078-6	O-RING 10		1	*			
187-1	213063-9	O-KRÚŽOK 10	<	1				
188	451874-6	INSULATOR		1				
190	346261-1	CARBURETOR INSULATOR		1				
191	922228-9	H.S.H.BOLT M5X18 WITH WR		2				
192	413138-6	CARBURETOR GASKET		1				
193	450562-2	CLAMP		1				
194	922213-2	H.S.H.BOLT M5X12 WITH WR		1				
195	168561-7	CARBURETOR		1	*			
D10		INC. 196-211			*			
195-1	168561-7	CARBURETOR	<	1				
D10		INC. 196-211						
196	325922-6	SWIVEL		1				
197	413140-9	WASHER		1				
198	257964-1	STOP RING E-3		1				
199	266581-6	PAN HEAD SCREW M3X8 WITH W		2	*			
199-1	WJ00096364	SCREW M3X8 WITH WASHER	O	2				
200	213538-8	O RING 2		1				

Model No.MS335.4U BRUSH CUTTER

Položka	Objednávacie číslo	Popis	Zmena	ks	New/Old	Možnosť 1	Možnosť 2	Poznámka
201	325921-8	JET		1	*			
201-1	5926007011	JET #36.5	<	1				
202	234183-6	CONICAL COMPRESSION SPRING 5-9		1				
203	442155-9	PUMP GASKET		1				
204	168575-6	PUMP DIAPHRAGM		1	*			
204-1	WJ00009599	PUMP DIAPHRAGM	O	1				
205	266582-4	TAPPING SCREW 3X24		4				
206	346270-0	PRIMER PUMP COVER		1				
207	424314-7	PUMPA		1				
208	140438-8	AIR PURGE BODY		1				
209	168574-8	METERING DIAPHRAGM		1	*			
209-1	WJ00963279	SCREW	O	1	*			
209-2	WJ00095586	MEMBRÁNA KARB. DCS230	X	1	*			
209-3	168620-7	METERING DIAPHRAGM	<	1				
210	442154-1	METERING DIAPHRAGM GASKET		1				
211	140437-0	PUMP BODY		1				
D10		INC. 212						
212	352010-6	INLET SCREEN		1	*			
212-1	WJ00014070	INLET SCREEN	O	1				
213	345918-1	HOSE CLAMP		1				
214	422055-9	BREATHER PIPE		1				
215	422042-8	PIPE		1				
216	125468-0	Nd		1				
C10	140814-6	AIR CLEANER PLATE COMPLETE		1				
D10		INC. 217-224						
217	451925-5	CHOKE LEVER		1				
218	213540-1	O RING 15		1				
219	424316-3	CHECK VALVE		1				
220	213539-6	O RING 14		1				
221	451924-7	CHECK VALVE PLATE		1				
222	424315-5	CHECK VALVE		1				
223	168577-2	SEPARATOR GASKET		1				
224	168576-4	SEPARATOR PLATE		1				
225	450560-6	KLAPKA EBH252U		1				
226	423376-2	PODLOŽKA EBH 252U		1				
227	345919-9	PLATE		1				
228	265188-5	+PAN HEAD SCREW M5X68		2				
229	443140-5	FILTER EBH252U		1				
230	443141-3	FILTER EBH 252U		1				
231	450561-4	AIR CLEANER COVER		1				
232	911218-7	PAN HEAD SCREW M5X14		1				
233	638671-9	LEAD UNIT		1				
234	413143-3	WASHER		2				
235	922353-6	INBUSOVA SKRUTKA	S	1				

Model No.MS335.4U BRUSH CUTTER

Položka	Objednávacie číslo	Popis	Zmena	ks	New/Old	Možnosť 1	Možnosť 2	Poznámka
A01	122855-4	BAND ASSEMBLY		1	*			
A01-1	122907-1	BAND ASSY	O	1				
C10	140400-3	HOOK COMPLETE		1				
A02	168578-0	HOOK		1	*			
A03	242072-1	OIL BOTTLE		1	*			
A04	783013-3	BOX DRIVER 16-17		1				
A05	783217-7	HEX. WRENCH 5		1	*			
A05-1	783232-1	HEX. WRENCH 5	O	1	*			
A05-2	783217-7	HEX. WRENCH 5	O	1				
A06	783223-2	HEX. WRENCH 4		1	*			
A06-1	783202-0	INBUS.KLUČ 4 783202-0	O	1				
A08	451252-0	TOOL COVER		1				
A09	831315-2	ACCESSORY BAG		1				
A10	195503-8	OIL SET		1	*			
A10-1	197010-7	OIL SET	O	1				
E02	819430-2	CAUTION TAG		1				

Please order the parts with part number.

Print Date 4/6/2019