

# DOLMAR



**HT-2350D/HT-2360D/HT-2375D**

**GB PETROL HEDGE TRIMMER**

**D BENZIN-HECKENSCHERE**

**PL SPALINOWE NOŻYCE DO ŻYWOPŁOTU**

**HU BENZINMOTOROS SÖVÉNYNYÍRÓ**

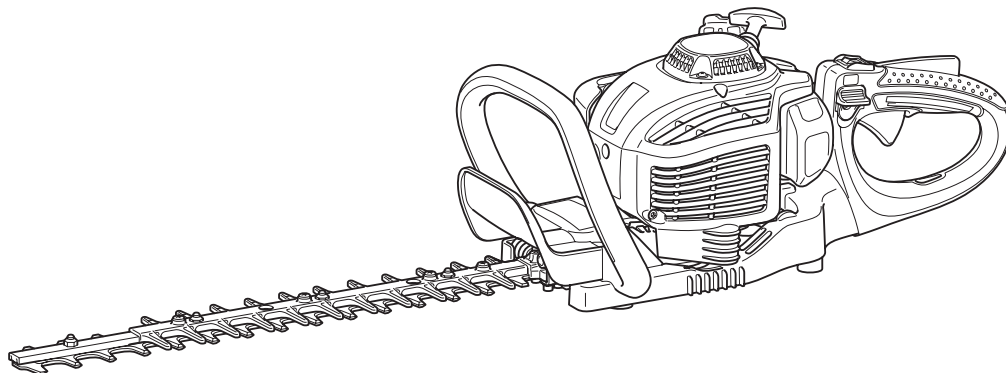
**RO MAȘINĂ DE TUNS GARDUL VIU PE BENZINĂ**

**SK BENZÍNOVÉ NOŽNICE NA ŽIVÝ PLOT**

**CZ MOTOROVÉ NŮŽKY NA ŽIVÉ PLOTY**

**UA БЕНЗИНОВА ПИЛА ДЛЯ ПІДРІЗУВАННЯ ЖИВОПЛОТУ**

**INSTRUCTION MANUAL  
BETRIEBSANLEITUNG  
INSTRUKCJA OBSŁUGI  
HASZNÁLATI UTASÍTÁS  
MANUAL DE INSTRUȚIUNI  
NÁVOD NA OBSLUHU  
NÁVOD K OBSLUZE  
ІНСТРУКЦІЯ З ЕКСПЛУАТАЦІЇ**



**WARNING:**

To reduce the RISK of injury, user must read and understand the instruction manual before using the hedge trimmer. Manufacturer reserves the right to change specifications without notice. Specifications may differ from country to country. Do only hand over the hedge trimmer together with this manual.

**WARNUNG:**

Um die GEFAHR von Verletzungen zu vermeiden, muss der Benutzer vor der Benutzung der Heckenschere diese Bedienungsanleitung sorgfältig lesen. Der Hersteller behält sich das Recht vor, ohne Vorankündigung Änderungen an den Technischen Daten vorzunehmen. Die Technischen Daten können in den einzelnen Ländern voneinander abweichen. Händigen Sie mit der Übergabe der Heckenschere an andere Personen unbedingt auch diese Bedienungsanleitung aus.

**OSTRZEŻENIE!**

Aby zmniejszyć RYZYKO odniesienia obrażeń, przed użyciem spalinowych nożyc do żywopłotu użytkownik powinien przeczytać i zrozumieć instrukcję obsługi. Producent zastrzega sobie prawo do zmiany parametrów technicznych bez uprzedzenia. W innych krajach urządzenie może mieć odmienne parametry techniczne. Wraz ze spalinowymi nożycami do żywopłotu należy przekazać również instrukcję obsługi.

**FIGYELEM!**

A személyi sérülés KOCKÁZATÁNAK elkerülésére a felhasználó a sövénynyíró használatba vétele előtt feltétlenül olvassa el a használati utasítást. A gyártó fenntartja a jogot a műszaki jellemzők előzetes értesítés nélküli módosítására. A műszaki adatok országonként eltérők lehetnek. A sövénynyírót csak a jelen használati utasítással együtt adja át másnak.

**AVERTISMENT:**

Pentru a reduce riscul accidentărilor, utilizatorul trebuie să citească și să înțeleagă manualul de instrucțiuni înainte de a utiliza mașina de tuns gardul viu. Producătorul își rezervă dreptul de a modifica specificațiile fără o notificare prealabilă. Specificațiile pot diferi în funcție de țară. Predați mașina de tuns gardul viu doar împreună cu acest manual.

**VÝSTRAHA:**

Aby sa znížilo RIZIKO poranenia, používateľ si musí prečítať a pochopiť návod na obsluhu skôr, ako začne nožnice na živý plot používať. Výrobca si vyhradzuje právo na zmenu technických špecifikácií bez upozornenia. Technické špecifikácie môžu byť v každej krajine odlišné. Nožnice na živý plot odovzdajte inej osobe iba spolu s týmto návodom na obsluhu.

**VAROVÁNÍ:**

V rámci omezení NEBEZPEČÍ zranění je před použitím nůžek na živé ploty nutné, aby si uživatel přečetl návod k obsluze a porozuměl jeho obsahu. Výrobce si vyhrazuje právo na změny technických údajů bez předchozího upozornění. Specifikace se mohou v různých zemích lišit. S nůžkami na živé ploty vždy předávejte také tento návod.

**УВАГА:**

Щоб знизити ризик отримання травм, уважно прочитайте цю інструкцію з експлуатації, перш ніж користуватися пилою для підрізування живоплоту. Виробник залишає за собою право змінювати технічні характеристики без попереднього повідомлення. Технічні характеристики можуть відрізнятися залежно від країни. З пилою для підрізування живоплоту слід завжди передавати цю інструкцію.

Thank you very much for selecting the DOLMAR hedge trimmer. We are pleased to be able to offer you the DOLMAR hedge trimmer which is the result of a long development program and many years of knowledge and experience.

The hedge trimmer models HT-2350D, HT-2360D and HT-2375D combine the advantages of state-of-the-art technology with ergonomic design, light weight, handy, compact and represent professional equipment for a great variety of applications.

**Please read, understand and follow this booklet which refers in detail to the various points that will demonstrate its outstanding performance. This will assist you to safely obtain the best possible results from your DOLMAR hedge trimmer.**



Table of Contents	Page
Symbols.....	3
Safety instructions .....	4
Technical data.....	7
Designation of parts.....	8
Fuels/refueling .....	9
Precautions before starting.....	10
Starting the machine.....	11
Stopping the machine.....	11
Operation of the machine .....	12
Adjusting rear handle angle.....	12
Maintenance instructions.....	13
Storage.....	16
Maintenance schedule.....	16
Fault location .....	16

## SYMBOLS

It is very important to understand the following symbols when reading this instructions manual.

	WARNING/DANGER		Fuel and oil mixture
	Read, Understand and Follow Instruction Manual		Engine-Manual start
	Forbidden		Emergency stop
	No smoking		First Aid
	No open flame		Recycling
	Protective gloves must be worn		ON/START
	Keep the area of operation clear of all persons and pets		OFF/STOP
	Wear protective helmet, eye and ear protection!		CE - mark

# SAFETY INSTRUCTIONS

## General Instructions

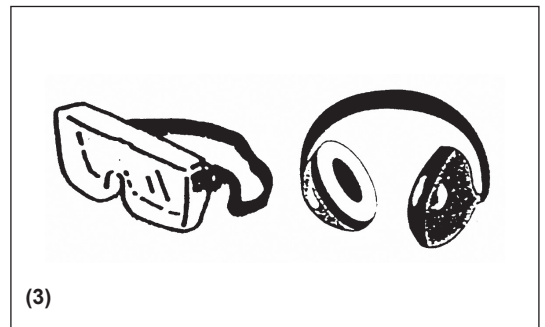
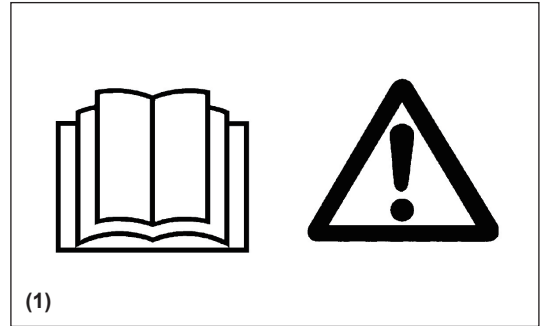
- THIS MACHINE CAN CAUSE SERIOUS INJURIES. Read the Instructions carefully for correct handling, preparation, maintenance, starting and stopping of the machine. Be familiar with all controls and the proper use of the machine. (1)
- It is recommended only to loan the hedge trimmer to people who have proven to be experienced with hedge trimmers. Always hand over the instruction manual.
- First-time users should ask the dealer for basic instructions to familiarize themselves with handling of an engine powered hedge trimmer.
- Children and young persons aged under 18 years must not be allowed to operate the hedge trimmer. Persons over the age of 16 years may however use the device for the purpose of being trained only while under the supervision of a qualified trainer.
- Use the hedge trimmer with the utmost care and attention.
- Operate the hedge trimmer only if you are in a good physical condition. Perform all work calmly and carefully. The user has to accept liability for others.
- Never use the hedge trimmer after consuming alcohol or drugs, or if feeling tired or ill. (2)

## Intended use of the machine

- The hedge trimmer is designed for only the purpose of trimming bushes and hedges, and must not be used for any other purpose. Do not abuse the Trimmer.

## Personal protective equipment

- The clothing worn should be functional and appropriate, i.e. it should be tight-fitting but not cause hindrance. Do not wear jewelry or loose clothing which could become entangled with bushes or shrubs, or the machine.
- In order to avoid eye, hand or foot injuries as well as to protect your hearing, the following protective equipment and protective clothing must be used during operation of the hedge trimmer.
- During operation of the hedge trimmer always wear goggles or a visor to prevent eye injuries. (3)
- Wear adequate noise protection equipment to avoid hearing impairment, ear muffs, ear plugs, etc. (3)
- We strongly recommend that the user wears work overalls. (4)
- Special gloves made of thick leather are part of the prescribed equipment and must always be worn during operation of the hedge trimmer. (4)
- When using the hedge trimmer, always wear sturdy shoes with a non-slip sole. This protects against injuries and ensures a good footing. (4)



## Starting up the hedge trimmer

- Please make sure that there are no children or other people within a working range of 15 meters (5), also pay attention to any animal in the working vicinity.
- Before operating, always check the hedge trimmer is safe for operation.
- Check the security of the throttle lever. The throttle lever should be checked for the smooth and easy actions. Check for proper functioning of the throttle lever lock. Check for clean and dry handles and test the function of the I-O switch. Keep handles free of oil and fuel.

Start the hedge trimmer only in accordance with the instructions.

### Do not use any other methods for starting the engine (6)!

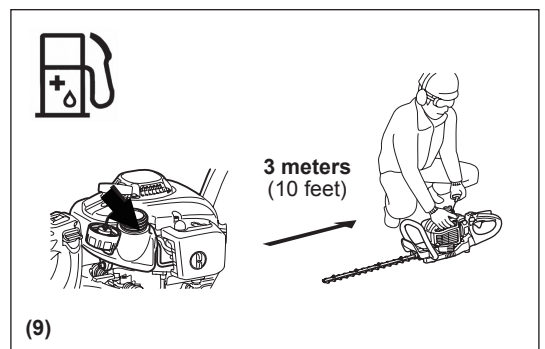
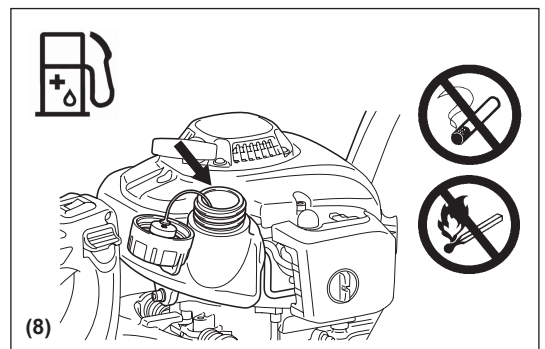
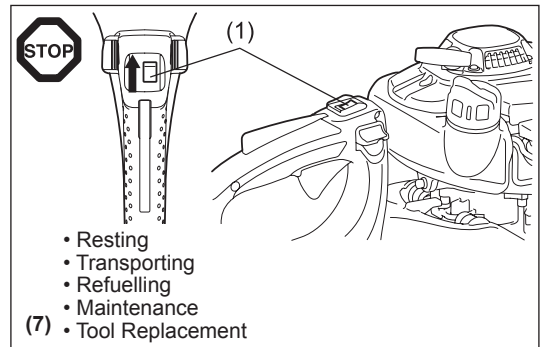
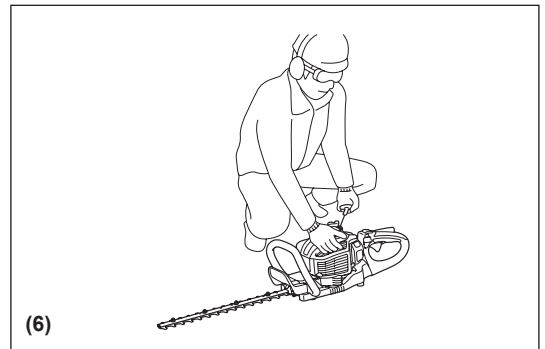
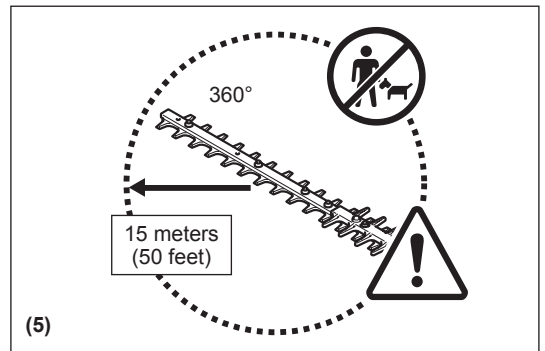
- Use the hedge trimmer only for applications specified.
- Start the hedge trimmer engine only after the entire assembly is done. Operation of the hedge trimmer is permitted only after all the appropriate accessories are attached!
- Before starting, make sure that the cutter blade will not contact any objects such as branches, stones, etc.
- Stop the engine immediately if there are any engine problems.
- During operation, hold both the front and rear handle firmly by wrapping your fingers around the handles. Keep handles clean and free of moisture, resin, oil or grease.

### Always ensure a safe, well-balanced footing.

- Only use outdoors.
- Always be aware of your surroundings and stay alert for possible hazards that you may not hear due to the noise of the machine.
- Operate the hedge trimmer in such a manner as to avoid inhalation of the exhaust gases. Never run the engine in enclosed rooms (risk of suffocation and gas poisoning). Carbon monoxide is an odorless gas. Always ensure there is an adequate ventilation.
- Stop the engine when resting and when leaving the hedge trimmer unattended. Place it in a safe location to prevent danger to others or, setting fire to combustible materials or damage to the machine.
- Never put the hot hedge trimmer onto dry grass or onto any combustible materials.
- To reduce fire hazard, keep the engine and silencer free of debris, leaves, or excessive lubricant.
- Never operate the engine with a faulty exhaust muffler.
- Stop the engine during transport (7).
- Stop the engine before:
  - Cleaning a blockage;
  - Checking, maintenance or working on the machine.
- Position the hedge trimmer safely during car or truck transportation to avoid a fuel leakage.
- When transporting the hedge trimmer ensure that the fuel tank is completely empty to avoid fuel leakage.
- When transporting or storing the machine always fit the cutting device guard.

## Refuelling

- Stop the engine before refuelling (7), keep well away from open flame (8) and do not smoke.
- Do not attempt to refuel a hot or a running engine.
- Avoid skin contact with petroleum products. Do not inhale fuel vapors. Always wear protective gloves during refuelling. Change and clean protective clothing at regular intervals.
- Take care not to spill either fuel or oil in order to prevent soil contamination (environmental protection). Wipe down the hedge trimmer immediately after fuel has been spilled. Dry the cloths used for wiping the fuel at a well ventilated area before disposing them. Failure to do so may cause spontaneous combustion.
- Avoid any fuel contact with your clothes. Change your clothes immediately if fuel has been spilled on it (dangerous hazard).
- Inspect the fuel cap at regular intervals making sure that it stays securely fastened.
- Carefully tighten the fuel tank cap. Change locations to start the engine (at least 3 meters away from the place of refuelling) (9).
- Never refuel in closed rooms. Fuel vapors accumulate at ground level (risk of explosions).
- Only transport and store fuels in approved containers. Make sure stored fuel is not accessible to children.
- When mixing gasoline with two-stroke engine oil, use only gasoline which contains no ethanol or methanol (types of alcohol). This will help to prevent damage to fuel lines and other engine parts.



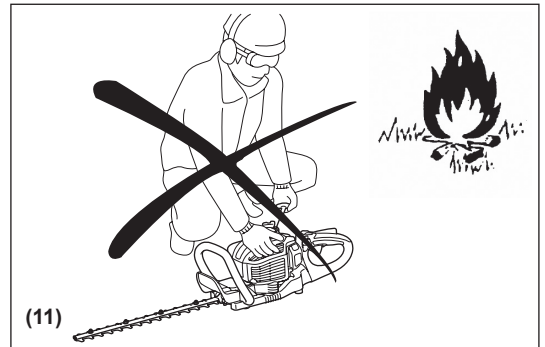
## Method of operation

- Always use two hands to grip each handle during operation.
- Use the hedge trimmer only in a good light and visibility. During cold seasons beware of slippery or wet areas, ice and snow (risk of slipping). Always ensure a safe footing.
- Never work on unstable surfaces or steep terrain.
- Never stand on a ladder and run the hedge trimmer.
- Never climb up onto trees to perform cutting operation with the hedge trimmer.
- To reduce the risk of stumbling and loss of control, do not walk backward while operating the machine.
- Always stop the engine before cleaning or servicing the unit or replacing parts.
- Do not operate the machine with a damaged or excessively worn cutting device.



## Maintenance instructions

- Be kind to the environment. Operate the hedge trimmer with as little noise and pollution as possible. In particular check the correct adjustment of the carburetor.
- Clean the hedge trimmer at regular intervals and check that all screws and nuts are securely tightened.
- Never service or store the hedge trimmer in the vicinity of open flames, sparks, etc. (11).
- Empty the fuel tank before storing the hedge trimmer.
- Never store the hedge trimmer in the vicinity of naked flames to avoid fires.
- Store the hedge trimmer in well ventilated and high or locked location out of reach of children.
- Do not attempt to repair the machine unless you are qualified to do so.



**Observe and follow all relevant accident prevention instructions issued by the trade associations safety board and by insurance companies.**

**Do not perform any modifications to the hedge trimmer as this will risk your safety.**

The performance of maintenance or repair work by the user is limited to those activities as described in this instruction manual. All other works are to be done by Authorized Service Agents.

Use only genuine spare parts and accessories supplied by DOLMAR authorized or factory service centers.

Use of non-approved accessories and tools means increased risk of accidents and injuries. DOLMAR will not accept any liability for accidents or damage caused by the use of any non-approved accessories.

## First aid

In case of an accident make sure that a well-stocked first-aid kit according to DIN 13164, is available in the vicinity of the cutting operations. Immediately replace any item taken from the first aid kit.

**When asking for help, please give the following information:**

- Place of accident
- What happened
- Number of injured persons
- Extend of injuries
- Your name



## Packaging

The DOLMAR hedge trimmer is delivered in a protective cardboard box to prevent shipping damage. Cardboard is a basic raw material and is therefore consequently reusable or suitable for recycling (waste paper recycling).



## EC DECLARATION OF CONFORMITY

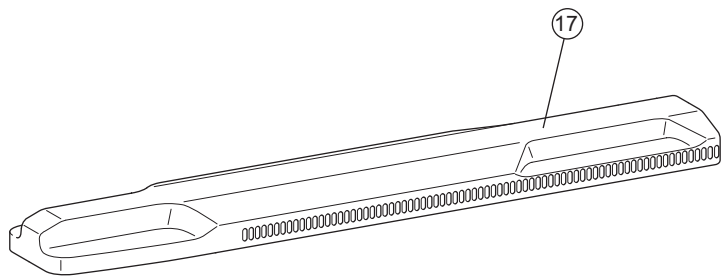
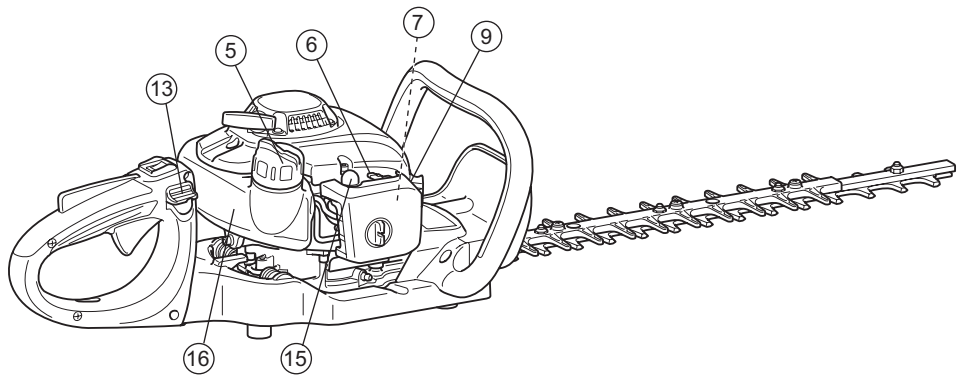
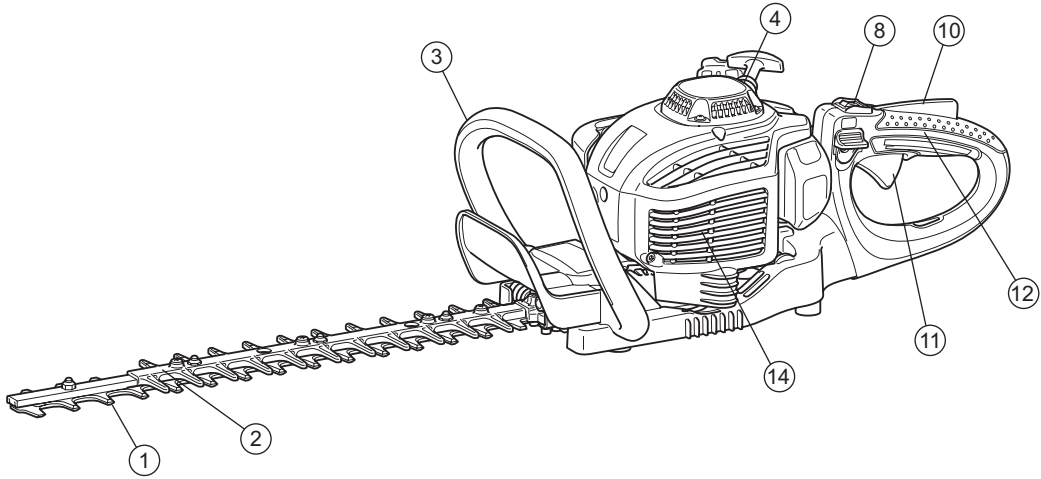
For European countries only

The EC declaration of conformity is included as Annex A to this instruction manual.

## TECHNICAL DATA

Model			HT-2350D	HT-2360D	HT-2375D	
Dimension (L x W x H)	mm		1,014 x 262 x 216	1,119 x 262 x 216	1,259 x 262 x 216	
Mass (without blade cover)	kg		4.8	5.0	5.2	
Volume (fuel tank)	L		0.4			
Engine displacement	cm <sup>3</sup>		22.2			
Cutting length	mm		483	588	728	
Maximum engine performance	kW		0.68			
Stroke per minute	min <sup>-1</sup>		4,270			
Idling speed	min <sup>-1</sup>		3,000			
Clutch engagement speed	min <sup>-1</sup>		4,000			
Carburetor type	type		WALBRO WYL			
Ignition system	type		Solid state ignition			
Spark plug	type		NGK CMR6A			
Electrode gap	mm		0.7 - 0.8			
Vibration per EN ISO 10517	Right handle	$a_{hv\ eq}$	m/s <sup>2</sup>	2.5	2.7	2.3
		Uncertainty K	m/s <sup>2</sup>	1.3	1.1	1.6
	Left handle	$a_{hv\ eq}$	m/s <sup>2</sup>	2.5	2.8	2.3
		Uncertainty K	m/s <sup>2</sup>	1.3	1.1	1.2
Noise per EN ISO 10517	Sound pressure level		dB (A)	93.0	92.8	93.9
		Uncertainty K	dB (A)	1.4	2.2	1.2
	Sound power level		dB (A)	103.0	103.2	103.8
		Uncertainty K	dB (A)	2.1	1.5	1.3
Mixture ratio (fuel: engine oil)	DOLMAR genuine two-stroke engine oil		50 : 1			
	Other manufacturer's two-stroke engine oil		25 : 1			
Gear ratio			9 : 43			

## DESIGNATION OF PARTS



	DESIGNATION OF PARTS		DESIGNATION OF PARTS		DESIGNATION OF PARTS
1	Blade	7	Carburetor (not shown)	13	Release lever
2	Blunt extension	8	I-O switch (ON-OFF)	14	Muffler
3	Front handle	9	Spark plug	15	Primer pump
4	Recoil starter	10	Lock-off lever	16	Fuel tank
5	Fuel tank cap	11	Throttle lever	17	Blade cover
6	Choke lever	12	Rear handle		



# FUELS/REFUELING

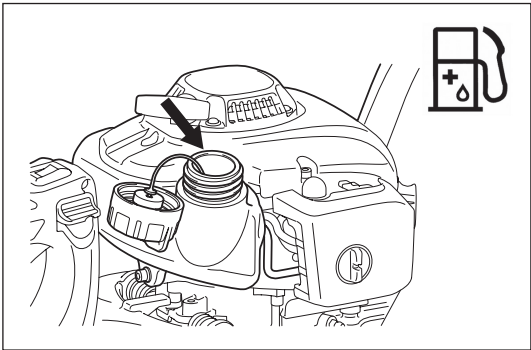
## Fuel and oil mixture

- The engine of the hedge trimmer is a high-efficiency two-stroke engine. It is run with a mixture of fuel and two-stroke engine oil. The engine is designed for unleaded regular fuel with a min. octane value of 91 ROZ. In case no such fuel is available, you can use fuel with a higher octane value. This will not damage the engine, but may cause poor operating behaviour. A similar situation will arise from the use of leaded fuel. To obtain optimum engine operation and to protect your health and the environment, only unleaded fuel should be used!
- For lubricating the engine use a two-stroke engine oil (quality grade: TSC-3), which is added to the fuel. The engine has been designed for use with DOLMAR two-stroke engine oil and a mixture ratio of 50:1 only to protect the environment. In addition, a long service life and a reliable operation with a minimum emission of exhaust gases is guaranteed. It is absolutely essential to observe a mixture ratio of 50:1 (DOLMAR 2-stroke engine oil), otherwise the reliable function of the hedge trimmer cannot be guaranteed.
- The correct mixture ratio:  
Gasoline: Specified two-stroke engine oil = 50 : 1 or  
Gasoline: Other manufacturer's two-stroke engine oil = 25 : 1 recommended

**NOTE:** For preparing the fuel-oil mixture, first mix the entire oil quantity with half of the fuel required in an approved canister which meets or exceeds all local code standards. Then add the remaining fuel. Thoroughly shake the mixture before filling it into the hedge trimmer's tank. Do not add more engine oil than specified to ensure safe operation. It will only result in a higher production of combustion residues which will pollute the environment and clog the exhaust channel in the cylinder as well as the muffler. In addition, the fuel consumption will rise and the performance will decrease.

## Handling petroleum products

Utmost care is required when handling fuels. Fuels may contain substances similar to solvents. Refuel either in a well ventilated area or outdoors. Do not inhale fuel vapors, avoid any contact of fuel or oil with your skin. If your skin comes in contact with these substances repeatedly and for an extended period of time, it will desiccate. Various skin diseases may result. In addition, allergic reactions are known to occur. Eyes can be irritated by contact with oil, fuel etc. If oil, fuel, etc., comes into your eyes, immediately wash them with clear water. If your eyes are still irritated, see a doctor immediately!



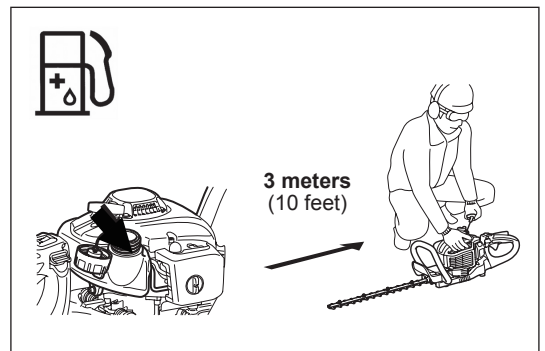
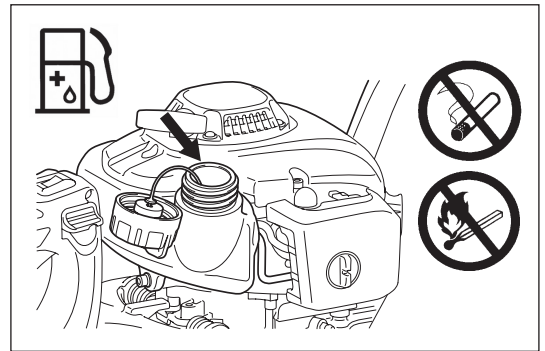
Gasoline	+	Oil
	50:1	
	50:1	25:1
1,000 cm <sup>3</sup> (1 liter) 5,000 cm <sup>3</sup> (5 liter) 10,000 cm <sup>3</sup> (10 liter)		20 cm <sup>3</sup> 40 cm <sup>3</sup> 100 cm <sup>3</sup> 200 cm <sup>3</sup> 200 cm <sup>3</sup> 400 cm <sup>3</sup>

## Refuelling

- The engine must be switched off.
- Stop the engine during refuelling, keep away from flames and do not smoke.
- Take care not to spill either fuel or oil in order to prevent soil contamination. Clean the hedge trimmer immediately after fuel has been spilled.
- Do not spill fuel onto the engine. Wipe down if the fuel is spilled.
- Avoid any fuel contact with your clothes. Change your clothes instantly if fuel has been spilled on it (to prevent clothes catching fire).
- Inspect the fuel cap regularly making sure that it can be securely fastened and does not leak the fuel.
- Carefully tighten the fuel tank cap. Change location to start the engine (at least 3 meters away from the place of refuelling.)
- Never refuel in closed rooms. Fuel vapors accumulate at ground level. (Risk of explosions.)
- Transport and store fuel only in approved containers. Make sure the fuel stored is not accessible to children.
- Thoroughly clean the area around the tank cap to prevent dirt from getting into the fuel tank.
- Unscrew the plug and fill the tank with fuel. Use a gauze funnel to filter the fuel.
- Tightly screw on the plug by hand only.
- Clean around the screw plug and the tank after refuelling.
- Always wipe up any spilled fuel to prevent a fire.

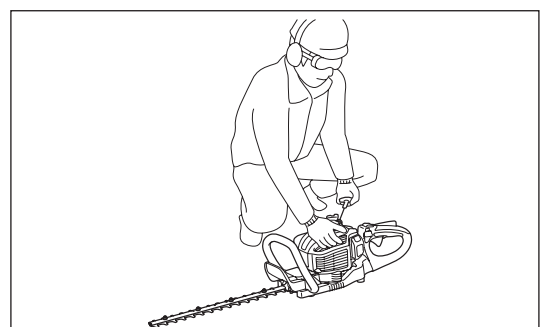
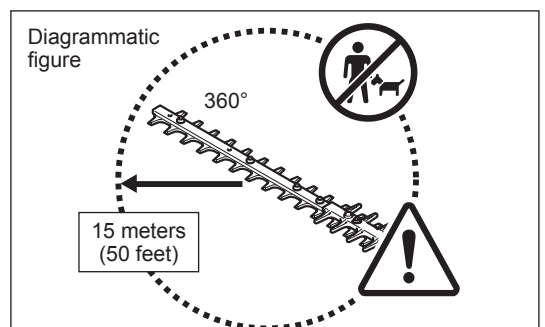
## Storage of fuel

- Fuel cannot be stored for an unlimited period of time.
- Purchase only the quantity required for a 4 week operation period.
- Use approved fuel storage containers only.



## PRECAUTIONS BEFORE STARTING

- Make sure that there are no children or other people within a working range of 15 meters. Also pay attention to any animal in the working vicinity.
- Before use always check that the hedge trimmer is safe for operation. Check the cutting device is not damaged, the control lever for easy action and check for the proper function of the I-O switch. Make sure that the cutting blades do not run when the engine is idling. Check with your dealer for adjustment if in doubt. Check for clean and dry handles and test function of the I-O switch.
- Start the hedge trimmer only in accordance with the instructions. Do not use any other methods for starting the engine. (See Starting)
- Start the engine only after the entire assembly is done. Operation of the engine is only permitted after all the appropriate accessories are attached. Otherwise there is a risk of injury.
- Before starting, make sure that the cutting blades have no contact with objects such as branches, stones, etc.
- Before trimming, inspect the area for wires, cords, glass, or other foreign objects which could come in contact with the blade.
- Electrical shock. Be aware of any and all electric lines and electric fences. Check all areas for electrical lines before cutting.



## STARTING THE MACHINE

Move at least 3 meters away from the place of refuelling. Place the hedge trimmer on a clean area of ground. Make sure that the cutting blades do not come into contact with the ground or any other objects.

**Cold starting:** (When the engine is cold or it has been stopped for more than 5 minutes or when fuel is added to the engine.)

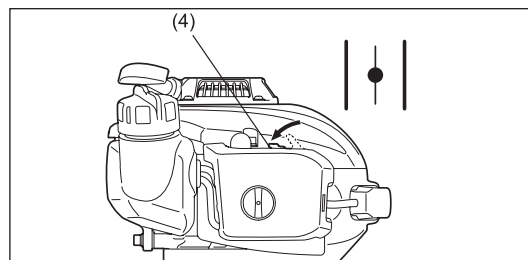
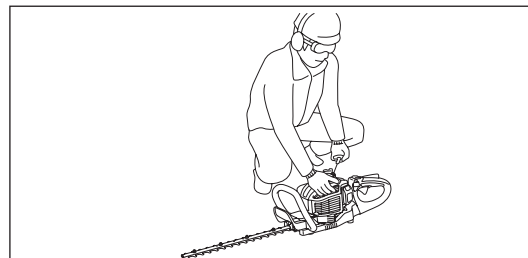
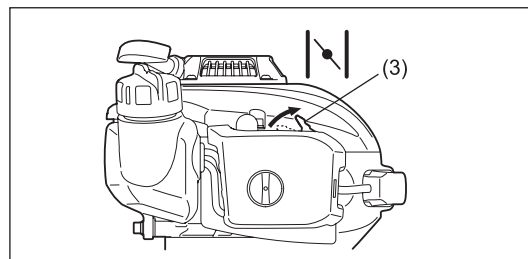
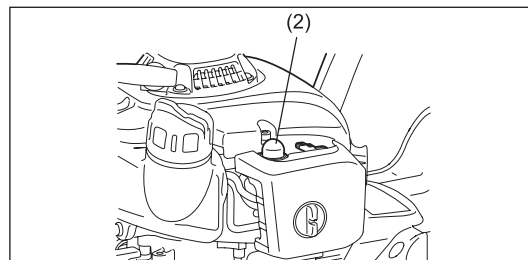
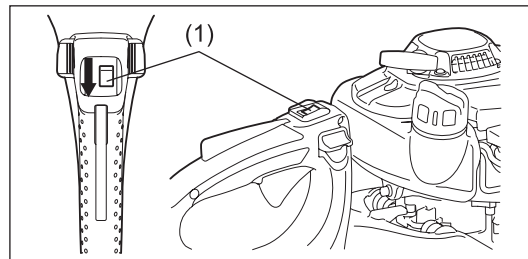
1. Push the I-O switch (1) to "I" position.
2. Repeat pushing the primer pump (2) gently (7 to 10 times) until the fuel comes into the primer pump.
3. Move the choke lever (3) to position "I".
4. Hold the hedge trimmer down firmly to avoid loss of control while cranking the engine. Failure to do so may cause serious injury and/or property damage due to falling or contact with the cutting blade.
5. Pull the starter handle slowly for 10 to 15 cm until you feel the resistance.
6. Pull the starter handle strongly with feeling the resistance and start the engine.
7. When the engine starts or pop-up and stop, return the choke lever (4) to "O".
8. Run the engine for approximately one minute at a moderate speed before accelerating to full throttle.

**Note:**

- If the starter handle is pulled repeatedly when the choke lever remains at "I" position, the engine will not start easily due to excessive fuel intake.
- In case of excessive fuel intake, remove the spark plug and pull the starter handle slowly to remove excess fuel. Also, dry the electrode section of the spark plug.

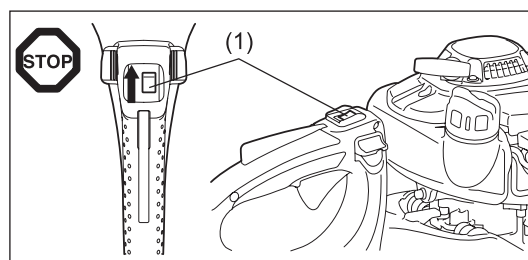
**Hot starting:** (Restarting immediately after the engine has stopped.) When restarting a hot engine, first try the above procedure: 1, 2, 4, 5, 6 with the choke lever (4) to "O". If the engine does not start, repeat above steps 1-8.

**Note:** Do not pull the starter rope to its full extension. Do not allow the starter grip to be retracted without control. Ensure that it is retracted slowly.



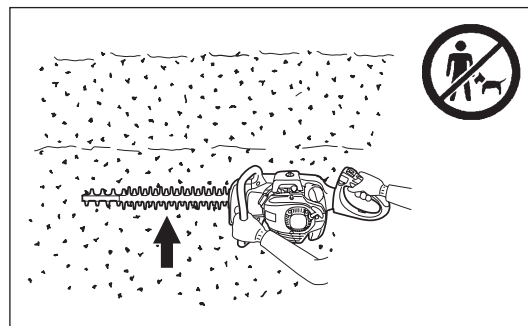
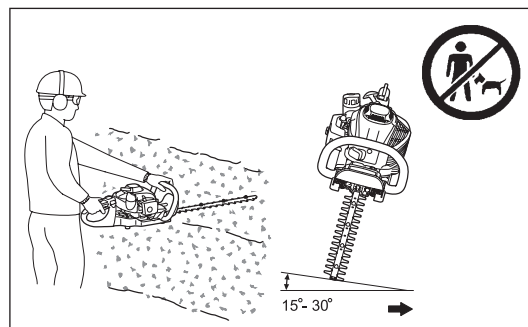
## STOPPING THE MACHINE

1. Release the throttle lever completely.
2. Push the I-O switch (1) to "O" position. The engine will slow down and stop.



## OPERATION OF THE MACHINE

- Never operate the hedge trimmer with a loose grip.
- Never touch the cutting blades when starting the engine and during operation.
- Operate the hedge trimmer in such a manner as to avoid inhalation of the exhaust gases. Never run the engine in enclosed rooms (Risk of gas poisoning). Carbon monoxide is an odorless gas.
- All protective equipment such as a guard supplied with the machine must be used during operation.
- Never operate the engine if the muffler is faulty or missing.
- Use the hedge trimmer only in good light and visibility.
- During the winter season beware of slippery or wet areas, ice and snow. (Risk of slipping.) Always ensure a safe footing.
- Never stand on a ladder and run the hedge trimmer. Keep both feet on the ground.
- Never climb up the trees with the hedge trimmer to perform cutting operation.
- Never work on unstable surfaces.
- Remove sand, stone, nails, wire, etc. found within the working area. Foreign objects may damage the cutting blades.
- Prior to the cutting operation, cut away 8 mm or thicker branches with pruning shears.
- Before commencing cutting, the cutting blades must have reached full working speed.
- Always hold the hedge trimmer firmly with both hands on the handles.
- Use a firm grip with thumbs and fingers encircling the handles.
- When you release the throttle, it takes a few moments before the cutting blades stop.
- Do not operate the hedge trimmer with high idle speed. You cannot adjust the cutting speed with the throttle control if the idle speed is too high.
- During the cutting operation, hold the hedge trimmer so that the blades form a 15-30° angle with the cutting line.
- Pay special attention when cutting hedges close to or against wire fences.
- Do not touch hard objects such as wire fence, stone or ground with the cutter blades. It may cause blades to crack, chip or break.
- Should the cutting blades hit stones or other hard objects, immediately switch off the engine and inspect the cutting blades for damage. Replace damaged blades before re-commencing work.
- Take a rest periodically. DOLMAR recommends to take a 10- to 20-minute rest every 50 minutes of use.
- Switch off the engine immediately in case of any engine problems.
- Operate the hedge trimmer with as little noise and contamination as possible. In particular check the correct setting of the carburetor and the fuel/oil ratio.
- Never attempt to remove jammed cut material when blades are running. Put unit down, turn it off, and remove necessary cuttings.



## ADJUSTING REAR HANDLE ANGLE

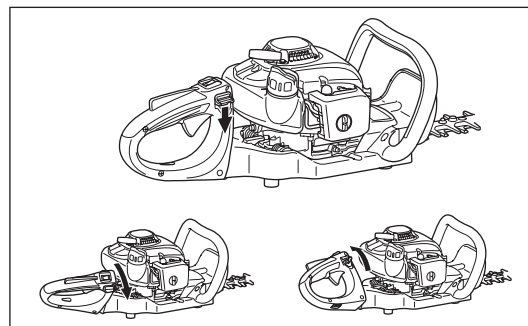
The rear handle can be turned down to 90° to the left or right side and set at every 45°.

To change the angle:

1. Press the release lever to release the lock.
2. Turn the handle to an angle of 0°, 45° or 90°.
3. Make sure that the release lever returns to the original position to engage the lock.

Do not pull the throttle lever while the lock is released.

Do not release the lock during operation.



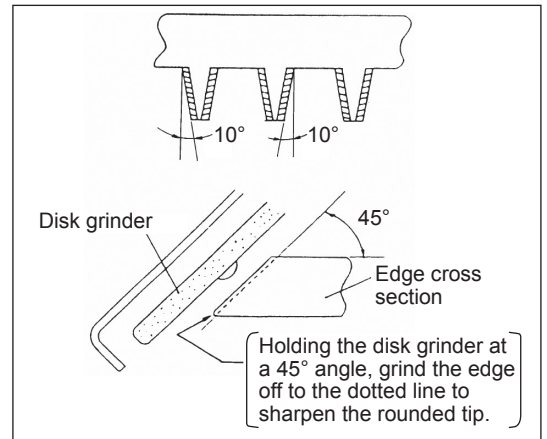
## MAINTENANCE INSTRUCTIONS

- Turn off the engine and remove the spark plug connector when cleaning/replacing/sharpening the cutting blades or carrying out any maintenance.
- Never straighten or weld a damaged cutting blade.
- Frequently inspect the cutting blades for damage with the engine switched off.
- Keep the cutting blades sharp.
- Clean the hedge trimmer and check that all screws and nuts are well tightened regularly.
- Never service the hedge trimmer in the vicinity of naked flames to avoid fires.
- Always wear leather gloves when handling or sharpening the blades, as they are sharp.

### Sharpening blade

If the edges are rounded and do not cut well any more, grind off only the shaded portions in the figure. Do not grind the contact surfaces (sliding surfaces) of the top and bottom edges.

- Before grinding, be sure to secure the blade firmly and switch off the engine and remove the spark plug cap.
- Wear gloves, protective glasses, etc.
- Do not remove too much material. It loses the hardened layer and causes the blades to get dull very quickly in use.

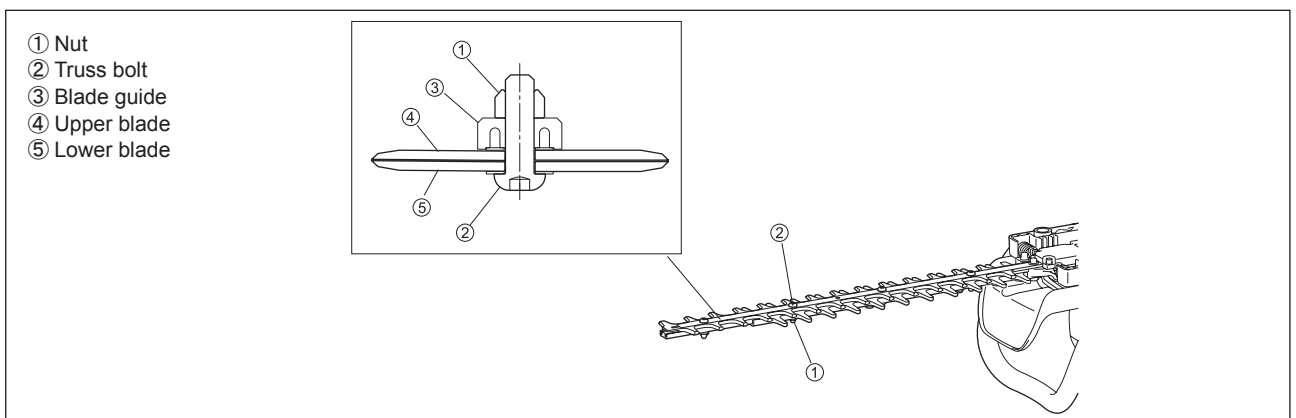


### Adjusting blade clearance

The upper/lower blades wear. If you cannot get a clean cut though the blades are sharp enough, adjust the clearance as follows.

1. Remove the blunt extension by loosen the screws.
2. Loosen the nut (1) with a box or open-ended wrench.
3. Tighten the truss bolt (2) with a hex wrench lightly till it stops and screw it back a quarter turn.
4. Tighten the nut (1), holding the truss bolt (2).
5. Apply light oil on the friction surface of the blades.
6. Start the engine, operate the throttle on and off for a minute.
7. Measure the time necessary for the blades to stop after releasing the throttle. If it is two seconds or longer, stop the engine and repeat the step 2 to 7.
8. Stop the engine and touch the blade surface. If they are not too hot to touch, you have made a proper adjustment. If they are too hot to touch, turn the truss bolt (2) back a little and repeat the step 6 to 8.
9. Attach the blunt extension by tightening the screws.

**NOTE:** Before making the adjustment, stop the engine and wait for the blades to stop.  
The blades have a slot around screw (2). In case you find dust in the end of any of the slots, clean it.



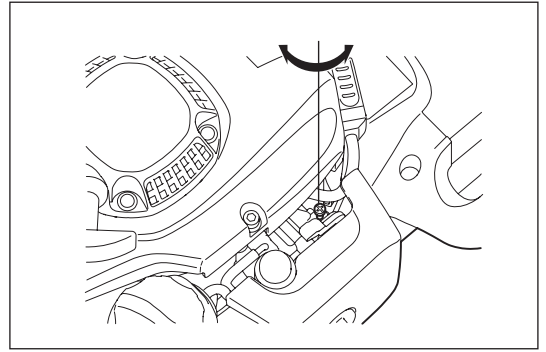
## Checking and adjusting the idling speed

The cutting blades should not run when the engine is at idle.

- Idle speed should be set to 3,000 min<sup>-1</sup> (rpm).
- If necessary, adjust the idle screw (the cutting blades must not run when the engine is on idle).
  - The cutting blades run while idling - turn the idle screw counterclockwise to decrease the idle speed.
  - The engine stops while idling - turn the idle screw clockwise to increase the idle speed.

If the cutting blades still continue to run at idle after the adjustment, consult your nearest authorized service agent.

- The clutch should engage at 3,750 min<sup>-1</sup> (rpm) or higher revolution.
- Check the functioning of the I-O switch, the lock-off lever and the throttle lever.



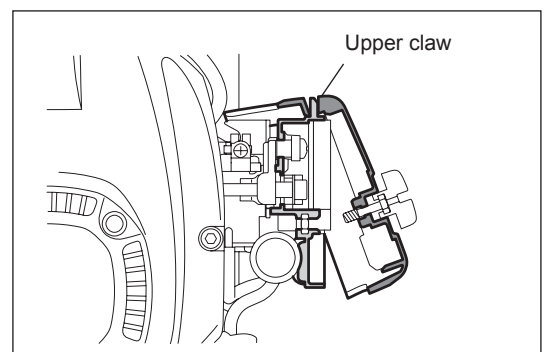
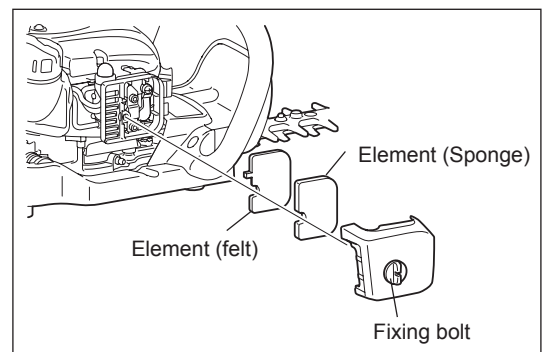
## Cleaning the air cleaner



**DANGER: Inflammables strictly prohibited**

Check and clean the air cleaner daily or every 10 operating hours.

- Turn the choke lever to the close side fully, and keep the carburetor free from dust or dirt.
- Loosen the fixing bolt.
- Pull the rear side of the air cleaner cover and move it forward to detach.
- If oil adheres to the element (sponge), squeeze it firmly.
- For heavy contamination:
  - 1) Remove the element (sponge), immerse it in warm water or in water-diluted neutral detergent, and dry it completely.
  - 2) Clean the element (felt) with gasoline, and dry it completely.
- Before attaching the elements, be sure to dry it completely. Insufficient drying of the elements may lead to difficult startup.
- Wipe out oil adhering around the air cleaner with waste cloth.
- Immediately after cleaning is finished, attach the cleaner cover and tighten it with fixing bolts. (In remounting, first place the upper claw.)



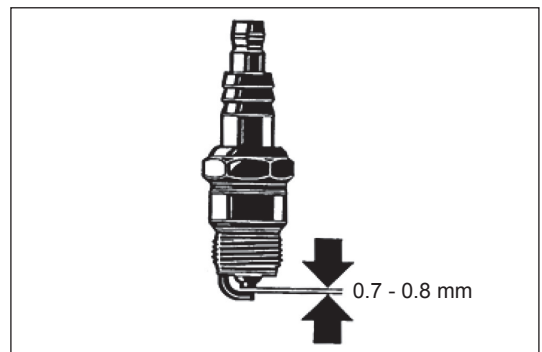
### Points in handling the air cleaner elements

- Clean the elements several times a day, if excessive dust adheres to it.
- If operation continues with the elements remaining not cleared of oil, oil in the air cleaner may fall outside, resulting in oil contamination.

## Checking the spark plug

Check and clean the spark plug daily or every 8 operating hours.

- Only use the supplied universal wrench to remove or install the spark plug.
- The gap between the two electrodes of the spark plug should be 0.7 to 0.8 mm. If the gap is too wide or too narrow, adjust it. If the spark plug is clogged with carbon or fouled, clean it thoroughly or replace it. Use an exact replacement.



## Supplying grease and lubricant

- Supply grease through the grease nipple every 50 operating hours. (Shell Alvania No. 3 or equivalent)

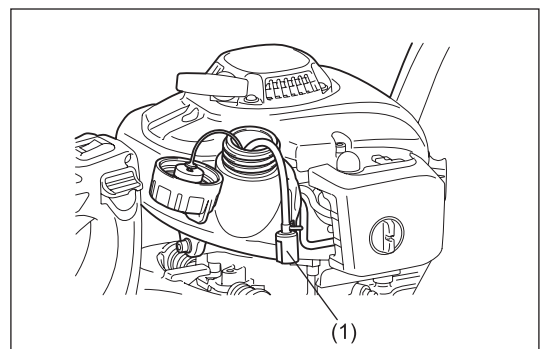
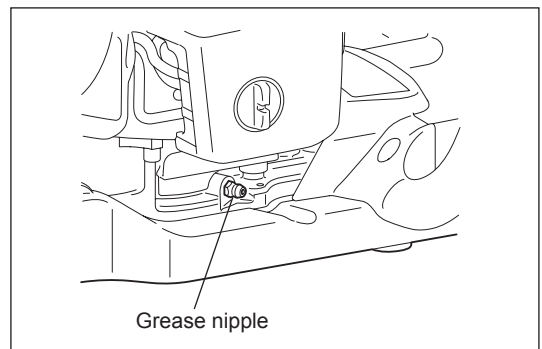
**NOTE:** Be sure to observe the specified time and amount of grease supply. Otherwise an insufficient grease supply will cause a machine trouble.

## Cleaning the fuel filter (suction head in the fuel tank)

**WARNING: Inflammables strictly prohibited**

Check and clean the fuel filter monthly or every 50 operating hours.

- The felt filter (1) of the suction head is used to filter the fuel required by the carburetor.
- Visually check the felt filter regularly.
- To check the felt filter, open the tank cap, use a wire hook and pull out the suction head through the tank opening. Replace the felt filter if it has hardened, been contaminated or be clogged.
- Replace the felt filter at least quarterly to ensure an enough fuel supply to the carburetor. Otherwise an insufficient fuel supply will cause the engine start failure and limited maximum speed.



## Replacing the fuel pipe

**CAUTION: Inflammables strictly prohibited**

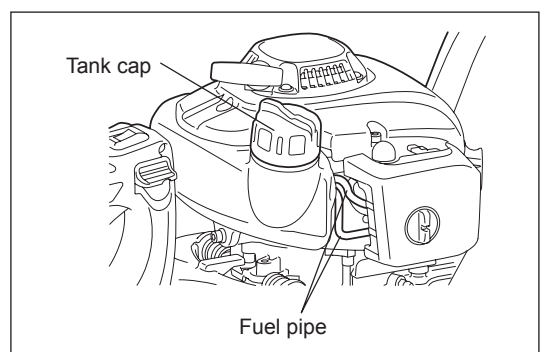
Check and clean the fuel pipe daily or every 10 operating hours.

Replace the fuel pipe every 200 operating hours or every year regardless of operating frequency. Otherwise fuel leakage may lead to fire.

If you find any leakage during inspection, replace the oil pipe immediately.

## Replacing the tank cap

- If there is any flaw or damage on the tank cap, replace it.
- The tank cap wears out in course of time. Replace it every two or three years.



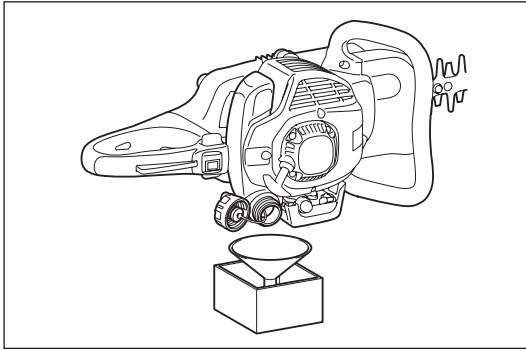
For any maintenance or adjustment not described in this manual, ask your local DOLMAR authorized service center.

## Daily checkup and maintenance

To ensure a long service life and to avoid any damage to the equipment, the following servicing operations should be performed at regular intervals.

- Before use;
  - Check the machine for loose screws or missing parts. Pay particular attention to the tightness of the cutter blade screws.
  - Check for clogging of the cooling air passage and the cylinder fins. Clean them if necessary.
  - Clean and check the fuel tank for fuel leakage or foreign object in the tank.
- After use;
  - Clean the hedge trimmer externally and inspect for damage.
  - Clean the air filter. When working under extremely dusty conditions, clean the filter several times a day.
  - Check the blades for damage and make sure they are firmly mounted.

## STORAGE



- When keeping the machine in storage for a long time, drain fuel from the fuel tank and carburetor, as follows: Drain all fuel from the fuel tank.
- Remove the spark plug and add a few drops of oil into the spark plug hole. Then, pull the starter gently to confirm that oil film covers inside of the engine and tighten the spark plug.
- Clear dirt or dust from the cutter blade and outside of the engine, wipe them with a oil-immersed cloth and keep the machine at a place as dry as possible.

## MAINTENANCE SCHEDULE

<b>After each refuelling</b>	Throttle lever I-O switch	Check the function Check the function
<b>Before each use</b>	Engine assembly, screws and nuts Air filter Cooling air duct Cutting tool Idling speed Fuel tank	Visually check for damage and tightness Check for general condition and security Clean Clean Check for damage and sharpness Inspection (cutting tool must not move) Check and clean
<b>Every 50 hours</b>	Gear case	Supply grease
<b>Weekly</b>	Spark plug	Check and replace if necessary
<b>Yearly</b>	Fuel pipe	Replace
<b>Biyearly</b>	Tank cap	Replace
<b>Before long term storage</b>	Fuel tank Carburetor Suction head	Empty and clean Operate until the engine runs out of fuel Replace

## FAULT LOCATION

Fault	System	Observation	Cause
Engine not starting or under difficulties	Ignition system	Ignition spark is present	Faulty fuel supply or compression system, mechanical defect
		No ignition spark	I-O switch operated, wiring fault or short circuit, spark plug or connector defective, ignition module faulty
	Fuel supply	Fuel tank filled	Incorrect choke position, carburetor defective, suction head (gas line filter) dirty, fuel supply line bent or interrupted
	Compression	Inside of engine	Cylinder bottom gasket defective, crankshaft seals damaged, cylinder or piston rings defective
		Outside of engine	Improper sealing of spark plug
Warm start problems	Mechanical fault	Starter not engaging	Broken starter spring, broken parts inside of the engine
		Tank filled Ignition spark existing	Carburetor contaminated, have it cleaned
Engine starts but dies immediately	Fuel supply	Tank filled	Incorrect idling adjustment, suction head or carburetor contaminated
			Fuel tank vent defective, fuel supply line interrupted, cable or I-O switch faulty
Insufficient performance	Several systems may simultaneously be affected	Engine idling	Air filter contaminated, carburetor contaminated, muffler clogged, exhaust duct in the cylinder clogged



Vielen Dank, dass Sie sich für die DOLMAR Heckenschere entschieden haben. Wir freuen uns, Ihnen die DOLMAR Heckenschere anbieten zu können; diese Erzeugnisse sind das Ergebnis eines langen Entwicklungsprogramms und vieler Jahre an Erkenntnissen und Erfahrungen.

Die Heckenscheren der Modelle HT-2350D, HT-2360D und HT-2375D stellen eine Kombination aus der Überlegenheit hochmoderner Technik und einem ergonomischen Design dar; sie sind von geringem Gewicht und kompakt und kommen als Profi-Werkzeuge in einer breiten Palette an Anwendungen zum Einsatz.

**Lesen Sie diese Broschüre mit detaillierten Informationen zu den verschiedenen Punkten, in denen die herausragende Leistungsfähigkeit dieser Werkzeuge demonstriert wird, aufmerksam durch. Achten Sie darauf, dass Sie die Inhalte dieser Broschüre sicher beherrschen und halten Sie die gegebenen Ratschläge und Anweisungen ein. Dadurch können Sie sicher mit dem Werkzeug umgehen und die bestmöglichen Ergebnisse mit Ihrer DOLMAR Heckenschere erzielen.**



Inhaltsverzeichnis	Seite
Symbole.....	17
Sicherheitsregeln.....	18
Technische Daten.....	21
Bezeichnung der Bauteile.....	22
Kraftstoff/Betankung.....	23
Sicherheitsmassnahmen vor dem Arbeiten.....	24
Starten des Werkzeugs.....	25
Stoppen des Werkzeugs.....	25
Handhabung des Werkzeugs.....	26
Einstellen des Winkels des hinteren Griiffs.....	26
Wartungsanweisungen.....	27
Aufbewahrung.....	30
Wartungsplan.....	30
Problembeseitigung.....	30

## SYMBOLE

Machen Sie sich vor dem Lesen dieser Anleitung unbedingt mit der Bedeutung der folgenden Symbole vertraut:

	WARNUNG/GEFAHR		Kraftstoff-Öl-Gemisch
	Lesen, Verstehen und Einhalten Betriebsanleitung		Manueller Motorstart
	Verboten		Not-Aus
	Rauchen verboten!		Erste Hilfe
	Umgang mit offenen Flammen verboten!		Recycling
	Tragen Sie Schutzhandschuhe!		EIN/START
	Im Arbeitsbereich dürfen sich weder Personen noch Tiere aufhalten!		AUS/STOPP
	Helm, Augen- und Gehörschutz tragen!		CE-Kennzeichen

# SICHERHEITSREGELN

## Allgemeine Sicherheitsregeln

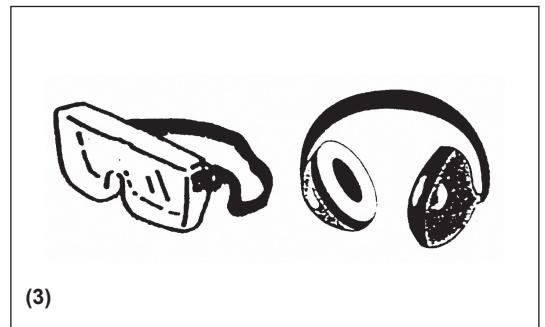
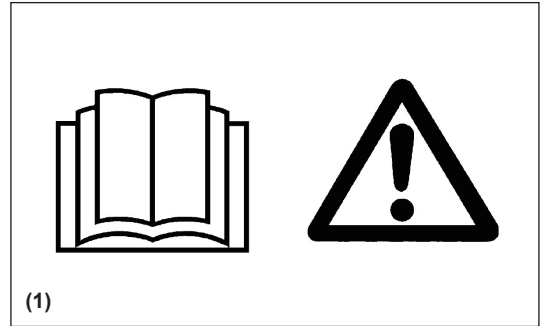
- DIESES WERKZEUG KANN SCHWERE VERLETZUNGEN VERURSACHEN! Lesen Sie sämtliche Anleitungen sorgfältig, damit Sie das Werkzeug ordnungsgemäß handhaben, vorbereiten, pflegen und warten, starten und stoppen können. Machen Sie sich mit der Bedienung und der ordnungsgemäßen Verwendung des Werkzeugs vertraut. (1)
- Es wird empfohlen, die Heckenschere nur an solche Personen zu verleihen, die über Erfahrungen im Umgang mit Heckenscheren verfügen. Überreichen Sie mit dem Werkzeug stets auch die Betriebsanleitung.
- Erstanwender sollten den Händler nach grundlegenden Anleitungen fragen, um sich mit dem Umgang mit einer Heckenschere vertraut zu machen.
- Kindern und Jugendlichen unter 18 Jahren ist das Bedienen der Heckenschere untersagt. Personen über 16 Jahren dürfen das Werkzeug für Übungszwecke verwenden, jedoch nur unter Aufsicht eines qualifizierten Anleiters.
- Verwenden Sie die Heckenschere mit äußerster Vorsicht und Aufmerksamkeit.
- Betreiben Sie die Heckenschere nur, wenn Sie sich in gesunder physischer Verfassung befinden. Führen Sie alle Arbeiten ruhig und mit Vorsicht aus. Die Bedienperson ist gegenüber Dritten haftbar.
- Benutzen Sie die Heckenschere niemals, wenn Sie unter dem Einfluss von Alkohol und/oder Medikamenten stehen, oder wenn Sie sich abgespannt oder krank fühlen. (2)

## Verwendungszweck des Werkzeugs

- Die Heckenschere ist ausschließlich für das Stutzen und Zurückschneiden von Buschwerk und Hecken vorgesehen; die Verwendung für einen anderen Zweck ist nicht zulässig. Verwenden Sie die Heckenschere niemals zweckentfremdet.

## Persönliche Schutzausrüstung

- Tragen Sie zweckmäßige und geeignete Kleidung, d.h. die Kleidung sollte am Körper anliegen, ohne Behinderungen zu verursachen. Das Tragen von Schmuck oder zu weiter Kleidung, der bzw. die sich in Büschen oder Gestrüpp oder im Werkzeug verfangen können, ist nicht zulässig.
- Um Verletzungen an Augen, Händen und Füßen zu vermeiden, aber auch um das Gehör des Bedieners zu schützen, ist während der Arbeiten mit der Heckenschere die im Folgenden aufgeführte Schutzausrüstungen/ Schutzkleidungen tragen.
- Tragen Sie während der Arbeit mit der Heckenschere eine Schutzbrille oder ein Visier, um Verletzungen der Augen zu vermeiden. (3)
- Tragen Sie einen ausreichenden Gehörschutz, um eine Schädigung des Gehörs zu vermeiden (Gehörschutzkapseln, Gehörschutzstöpsel usw.). (3)
- Wir empfehlen dem Bediener dringend das Tragen eines Arbeitsoveralls. (4)
- Spezialhandschuhe aus dickem Leder sind Bestandteil der vorgeschriebenen Ausrüstung und müssen beim Arbeiten mit der Heckenschere unbedingt getragen werden. (4)
- Tragen Sie beim Arbeiten mit der Heckenschere stets feste Schuhe mit einer rutschfesten Sohle. Derartige Schuhe schützen vor Verletzungen und geben einen sicheren Halt. (4)



## Starten der Heckenschere

- Sorgen Sie dafür, dass sich in einem Arbeitsbereich von 15 m (5) keine Kinder oder andere Personen aufhalten, achten Sie außerdem auf Tiere im Arbeitsbereich.
- Prüfen Sie die Heckenschere vor jedem Betrieb auf Betriebssicherheit.
- Überprüfen Sie den Gashebel auf ordnungsgemäße Funktion. Stellen Sie sicher, dass sich der Gashebel gleichmäßig und leicht bewegen lässt. Überprüfen Sie die Gashebelarretierung auf ordnungsgemäße Funktion. Stellen Sie sicher, dass die Griffe sauber und trocken sind, und überprüfen Sie den E/A-Schalter auf ordnungsgemäße Funktion. Halten Sie Griffe frei von Öl und Kraftstoff.

Starten Sie die Heckenschere ausschließlich wie in der Betriebsanleitung vorgegeben.

### Starten Sie den Motor auf keine andere Weise (6)!

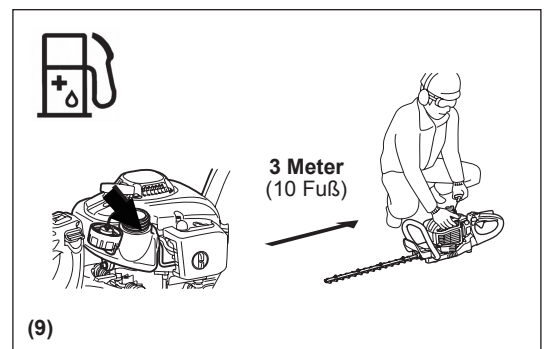
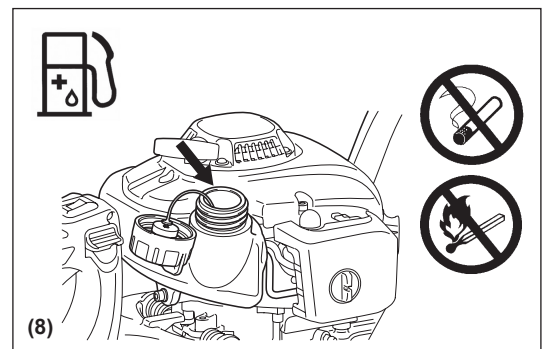
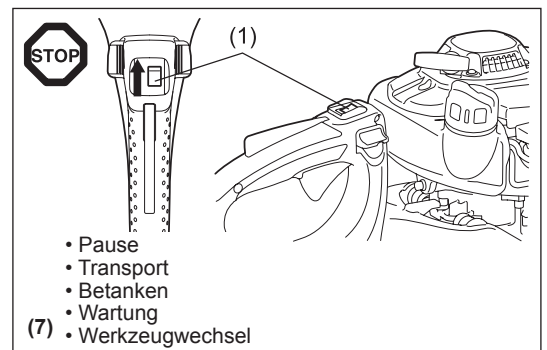
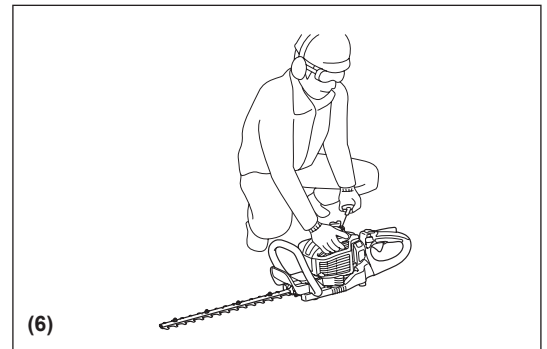
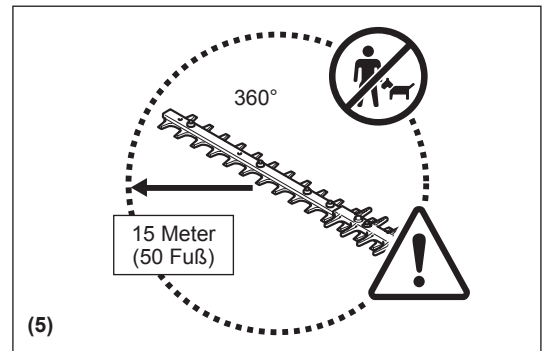
- Verwenden Sie die Heckenschere ausschließlich für den vorgegebenen Zweck.
- Starten Sie den Motor der Heckenschere nur dann, wenn die Heckenschere vollständig zusammengebaut ist. Der Betrieb der Heckenschere ist nur gestattet, wenn sämtliches für den Betrieb der Heckenschere vorgeschriebene Zubehör angebracht ist!
- Stellen Sie vor dem Starten der Heckenschere sicher, dass das Schwert keinerlei Gegenstände wie z. B. Äste, Steine usw. berührt.
- Stoppen Sie den Motor unverzüglich, falls Probleme mit dem Motor auftreten.
- Halten Sie während des Betriebs die Heckenschere sowohl am vorderen als auch am hinteren Griff fest, indem Sie Ihre Finger um die Griffe legen. Achten Sie darauf, dass die Griffe sauber und frei von Feuchtigkeit, Öl und Schmiermittel sind.

### Sorgen Sie immer für einen sicheren, ausbalancierten Stand.

- Dieses Werkzeug darf nur im Freien verwendet werden.
- Achten Sie stets auf das Arbeitsumfeld und seien Sie auf mögliche Gefahrensituationen vorbereitet, die Ihnen aufgrund der Lärmentwicklung des Motors entgehen könnten.
- Betreiben Sie die Heckenschere stets so, dass Sie die Abgase nicht einatmen. Betreiben Sie den Motor niemals in geschlossenen Räumen (Gefahr der Erstickung und einer Gasvergiftung). Kohlenmonoxid ist ein geruchloses Gas. Sorgen Sie dafür, dass zu jeder Zeit eine ausreichende Belüftung gegeben ist.
- Stoppen Sie den Motor, wenn Sie eine Pause machen oder wenn Sie die Heckenschere unbeaufsichtigt lassen. Legen Sie die Heckenschere an einem sicheren Ort in einer sicheren Lage ab, in der eine Gefährdung von Personen oder ein Entzünden brennbarer Stoffe und Schäden am Werkzeug ausgeschlossen sind.
- Legen Sie die heiße Heckenschere niemals auf trockenem Gras oder auf sonstigen brennbaren Materialien ab.
- Halten Sie den Motor und den Schalldämpfer stets frei von Schnittabfällen, Blättern und übermäßigem Schmierstoff, um die Gefahr eines Brandes zu vermeiden.
- Betreiben Sie den Motor niemals mit beschädigtem Auspuffschalldämpfer.
- Stoppen Sie den Motor vor einem Transport. (7)
- Stoppen Sie den Motor vor den folgenden Tätigkeiten:
  - Beheben einer Blockade,
  - Ausführen von Überprüfungen, Wartungsarbeiten oder sonstigen Arbeiten am Werkzeug.
- Legen Sie die Heckenschere bei Transport in einem Kraftfahrzeug in einer sicheren Position ab, damit ein Auslaufen von Kraftstoff vermieden wird.
- Stellen Sie vor dem Transport der Heckenschere sicher, dass der Kraftstofftank vollständig geleert ist, damit ein Auslaufen von Kraftstoff vermieden wird.
- Ziehen Sie vor Transport oder Lagerung immer den Schutz auf das Schneidewerkzeug.

## Betanken

- Stoppen Sie vor dem Betanken den Motor (7), halten Sie einen ausreichenden Abstand von offenen Flammen (8) und rauchen Sie nicht.
- Betanken Sie das Werkzeug niemals bei laufendem oder mit heißem Motor.
- Vermeiden Sie Hautkontakt mit Mineralölprodukten. Atmen Sie die Kraftstoffdämpfe nicht ein. Tragen Sie zum Betanken immer Schutzhandschuhe. Wechseln und reinigen Sie Schutzkleidung regelmäßig.
- Stellen Sie zur Vermeidung einer Kontamination des Erdbodens (Umweltschutz) sicher, dass kein Kraftstoff und kein Öl in das Erdreich eindringt. Wischen Sie verschütteten Kraftstoff unverzüglich von der Heckenschere ab. Lassen Sie Textilien, mit denen Sie Kraftstoff aufgewischt haben, an einem gut belüfteten Ort trocknen, bevor Sie diese Textilien entsorgen. Anderenfalls kann es zu einer plötzlichen Selbstentzündung kommen.
- Achten Sie darauf, dass Ihre Kleidung nicht in Kontakt mit Kraftstoff kommt. Wenn Kraftstoff auf Ihre Kleidung gelangt ist, wechseln Sie die Kleidung sofort (Gefahr!).
- Überprüfen Sie den Deckel des Kraftstofftanks regelmäßig auf ordnungsgemäßen Sitz.
- Schrauben Sie den Tankdeckel ordnungsgemäß fest. Entfernen Sie sich mindestens 3 m vom Ort des Betankens, bevor Sie den Motor starten. (9)
- Betanken Sie das Werkzeug niemals in geschlossenen Räumen. Auf dem Fußboden kann es zu einer Ansammlung von Kraftstoffdämpfen und dadurch zu einer Verpuffung oder gar Explosion kommen.
- Transportieren und lagern Sie Kraftstoffe ausschließlich in dafür zugelassenen Behältern. Stellen Sie sicher, dass Kinder keinen Zugang zu gelagertem Kraftstoff haben.
- Verwenden Sie zum Herstellen eines Gemischs aus Vergaserkraftstoff und Zweitaktöl nur Vergaserkraftstoffe, in denen kein Ethanol und kein Methanol (Alkohole) enthalten sind. Ethanol und Methanol können Schäden an Kraftstoffleitungen und anderen Motorteilen verursachen.



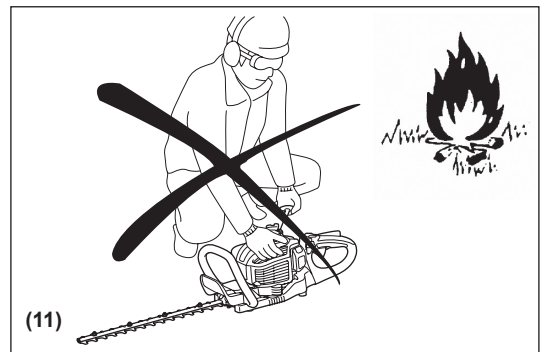
## Handhabung

- Halten Sie das Werkzeug während der Arbeiten immer mit beiden Händen, eine Hand an jeweils einem der Griffe.
- Verwenden Sie die Heckenschere nur bei guten Licht- und Sichtverhältnissen. Achten Sie in der kalten Jahreszeit auf rutschige oder nasse Bereiche, z.B. auf vereiste oder schneebedeckte Flächen (Rutschgefahr). Sorgen Sie immer für einen sicheren Stand.
- Arbeiten Sie niemals auf nicht stabilen oder abschüssigen Standflächen.
- Betreiben Sie die Heckenschere niemals auf einer Leiter stehend.
- Klettern Sie niemals auf Bäume, um mit der Heckenschere zu schneiden.
- Bewegen Sie sich beim Arbeiten mit dem Werkzeug niemals rückwärts, um ein Stolpern und Verlust der Kontrolle zu vermeiden.
- Stoppen Sie immer den Motor, bevor Sie das Werkzeug reinigen oder warten oder Teile am Werkzeug wechseln.
- Betreiben Sie das Werkzeug nicht, wenn das Schneidwerkzeug beschädigt oder stark verschlissen ist.



## Wartungsanweisungen

- Nehmen Sie Rücksicht auf die Umwelt und auf Ihre Nachbarn. Versuchen Sie immer, die Heckenschere mit kleinstmöglichen Lärm- und Schadstoffemissionen zu betreiben. Überprüfen Sie vor allem, ob der Vergaser ordnungsgemäß eingestellt ist.
- Reinigen Sie die Heckenschere regelmäßig und überprüfen Sie, ob alle Schrauben und Muttern fest angezogen sind.
- Warten oder lagern Sie die Heckenschere niemals in der Nähe offener Flammen, von Funken usw. (11).
- Leeren Sie den Kraftstofftank, bevor Sie die Heckenschere einlagern.
- Warten oder lagern Sie die Heckenschere niemals in der Nähe von offenen Flammen, von Funken usw. Brandgefahr!
- Lagern Sie die Heckenschere an einem gut belüfteten Ort. Der Lagerplatz muss hoch genug oder verschließbar sein, damit Kinder nicht an die Heckenschere gelangen können.
- Nehmen Sie nur Reparaturen am Werkzeug vor, für die Sie ausreichend qualifiziert sind.



**Halten Sie alle von den zuständigen Berufsgenossenschaften und Behörden erlassenen und von Versicherungsgesellschaften empfohlenen Maßnahmen zur Unfallverhütung ein.**

**Nehmen Sie keinerlei technische Veränderungen an der Heckenschere vor, da dies Ihre Sicherheit gefährden würde.**

Der Bediener darf ausschließlich die in dieser Betriebsanleitung beschriebenen Wartungs- und Reparaturarbeiten durchführen. Alle anderen Arbeiten müssen von autorisiertem Wartungspersonal durchgeführt werden.

Verwenden Sie ausschließlich Original-Ersatzteile und Original-Zubehörteile, die Sie über durch DOLMAR autorisierte Servicecenter bezogen haben.

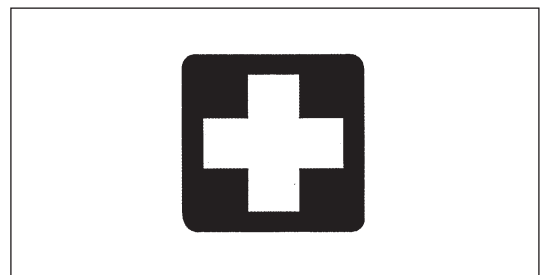
Die Verwendung nicht genehmigter Zubehörteile und Werkzeuge führt zu einer erhöhten Gefahr von Unfällen und Verletzungen. Für Personen- und/oder Sachschäden, die durch die Verwendung nicht genehmigter Ersatz- und/oder Zubehörteile verursacht wurden, übernimmt DOLMAR keine Haftung.

## Erste Hilfe

Stellen Sie für den Fall eines Unfalls sicher, dass in der Nähe des Arbeitsortes ein ordnungsgemäß befüllter Erste-Hilfe-Kasten entsprechend DIN 13164 verfügbar ist. Füllen Sie sämtliche aus dem Erste-Hilfe-Kasten entnommenen Materialien unverzüglich auf.

**Machen Sie folgende Angaben, wenn Sie Hilfe benötigen:**

- Ort des Unfalls
- Was ist passiert
- Anzahl der verletzten Personen
- Schwere der Verletzungen
- Ihr Name



## Verpackung

Um Schäden während des Versands zu vermeiden, wird die DOLMAR Heckenschere in einem Pappkarton geliefert. Karton ist ein Grundrohstoff und wird daher wiederverwendet oder recycelt (Recycling von Altpapier).



## EG-KONFORMITÄTSERKLÄRUNG

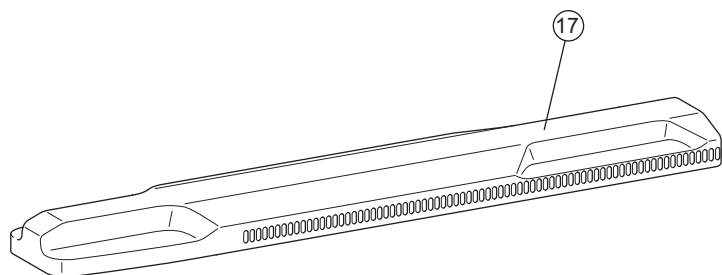
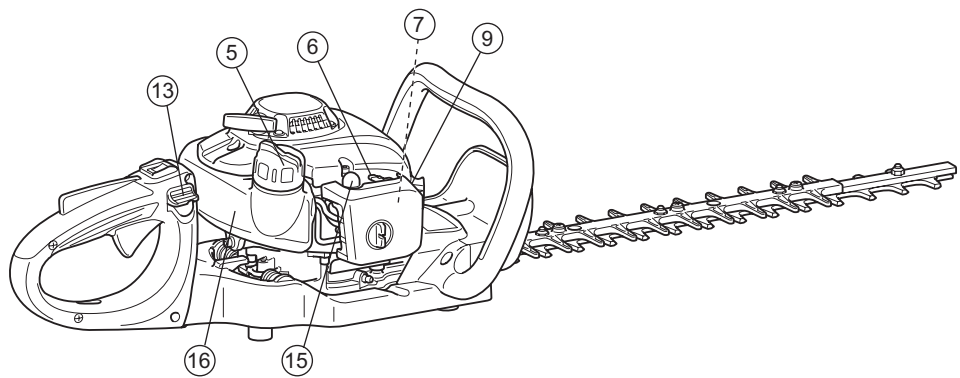
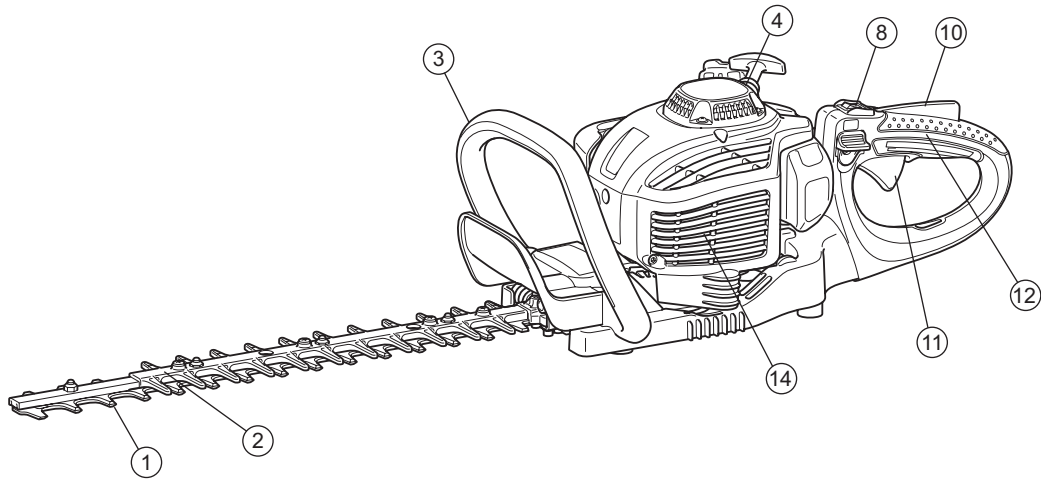
Nur für europäische Länder

Die EG-Konformitätserklärung liegt dieser Betriebsanleitung als Anhang A bei.

## TECHNISCHE DATEN

Modell			HT-2350D	HT-2360D	HT-2375D	
Abmessungen (L x B x H)	mm		1.014 x 262 x 216	1.119 x 262 x 216	1.259 x 262 x 216	
Gewicht (ohne Schneidschwertschutz)	kg		4,8	5,0	5,2	
Volumen (Kraftstofftank)	L		0,4			
Hubraum Motor	cm <sup>3</sup>		22,2			
Schnittlänge	mm		483	588	728	
Maximale Motorleistung	kW		0,68			
Bewegungen pro Minute	min <sup>-1</sup>		4.270			
Leerlaufdrehzahl	min <sup>-1</sup>		3.000			
Drehzahl für Kupplungseingriff	min <sup>-1</sup>		4.000			
Vergasertyp	Typ		WALBRO WYL			
Zündungssystem	Typ		Halbleiterzündung			
Zündkerze	Typ		NGK CMR6A			
Elektrodenabstand	mm		0,7 - 0,8			
Schwingungen nach EN ISO 10517	Rechter Griff	$a_{hv\ eq}$	m/s <sup>2</sup>	2,5	2,7	2,3
		Abweichung K	m/s <sup>2</sup>	1,3	1,1	1,6
	Linker Griff	$a_{hv\ eq}$	m/s <sup>2</sup>	2,5	2,8	2,3
		Abweichung K	m/s <sup>2</sup>	1,3	1,1	1,2
Geräusche gemäß EN ISO 10517	Schalldruckpegel		dB (A)	93,0	92,8	93,9
		Abweichung K	dB (A)	1,4	2,2	1,2
	Schalleistungspegel		dB (A)	103,0	103,2	103,8
		Abweichung K	dB (A)	2,1	1,5	1,3
Mischungsverhältnis (Kraftstoff: Motorenöl)	Originales Zwei-Takt-Motorenöl von DOLMAR		50 : 1			
	Zwei-Takt-Motorenöl anderer Hersteller		25 : 1			
Übersetzung Getriebe			9 : 43			

## BEZEICHNUNG DER BAUTEILE



	BEZEICHNUNG DER BAUTEILE		BEZEICHNUNG DER BAUTEILE		BEZEICHNUNG DER BAUTEILE
1	Schneidmesser	7	Vergaser (nicht dargestellt)	13	Entriegelungshebel hinterer Griff
2	Stillstehendes Schwert	8	E/A-Schalter (EIN/AUS)	14	Schalldämpfer
3	Vorderer Griff	9	Zündkerze	15	Anlasspumpe
4	Seilzugstarter	10	Entriegelungshebel	16	Kraftstofftank
5	Deckel Kraftstofftank	11	Gashebel	17	Schneidschwertschutz
6	Choke-Hebel	12	Hinterer Griff		

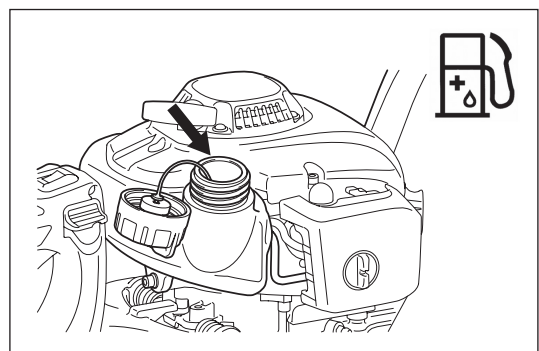
## Kraftstoff-Öl-Gemisch

- Die Heckenschere wird von einem Zweitaktmotor mit hohem Leistungsgrad angetrieben.  
Dieser Motor wird mit einem Gemisch aus Kraftstoff und Zweitaktöl betrieben. Der Motor ist für bleifreies Normalbenzin mit einer Oktanzahl ROZ 91 ausgelegt. Ist dieser Kraftstoff nicht verfügbar, können Sie einen Kraftstoff mit höherer Oktanzahl verwenden. Der Motor wird dadurch nicht beschädigt, das Betriebsverhalten kann sich jedoch verschlechtern.  
Ähnliche Probleme treten bei der Verwendung von verbleitem Kraftstoff auf. Um einen optimalen Betrieb des Motors zu erreichen und um Ihre Gesundheit und die Umwelt zu schützen, sollte ausschließlich bleifreier Kraftstoff verwendet werden!
- Der Motor wird durch ein Zweitaktöl (Gütegrad: TSC-3) geschmiert, das dem Kraftstoff beigemischt wird.  
Der Motor ist für den Betrieb mit dem DOLMAR Zweitaktöl in einem Mischverhältnis von 50:1 (Umweltschutz) ausgelegt. Durch das magere Mischungsverhältnis kann eine minimale Schadstoffemission bei gleichzeitig langer Lebensdauer und zuverlässigem Betrieb garantiert werden. Das Mischungsverhältnis von 50:1 (DOLMAR Zweitaktöl) ist unbedingt einzuhalten, anderenfalls kann der zuverlässige Betrieb der Heckenschere nicht garantiert werden.
- Das korrekte Mischungsverhältnis:  
Vergaserkraftstoff: Vorgeschriebenes Zweitaktöl = 50 : 1 oder  
Vergaserkraftstoff: Zweitaktöl eines anderen Herstellers = 25 : 1 empfohlen

**HINWEIS:** Zum Zubereiten des Gemischs mischen Sie, in einem zugelassenen Gefäß, das alle Vorgaben örtlich geltender Bestimmungen einhält oder übertrifft, erst die gesamte Menge an Öl mit der halben Menge des benötigten Kraftstoffs. Geben Sie anschließend die restliche Menge an Kraftstoff zu.  
Mischen Sie das Gemisch gut durch, bevor Sie es in den Tank der Heckenschere einfüllen.  
Geben Sie nicht mehr Motorenöl als angegeben hinzu, um einen sicheren Betrieb zu gewährleisten. Anderenfalls werden lediglich mehr Verbrennungsrückstände produziert, die Umwelt verschmutzt und der Abgaskanal sowie der Schalldämpfer verstopft. Außerdem steigt der Kraftstoffverbrauch, und die Leistung sinkt.

## Umgang mit Mineralölprodukten

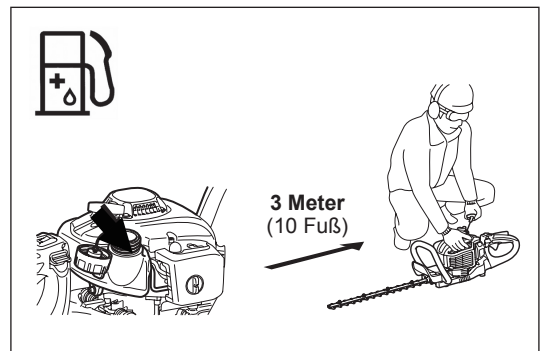
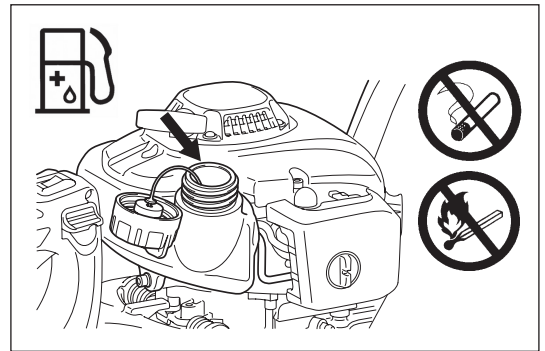
Beim Umgang mit Kraftstoffen ist äußerste Vorsicht geboten. Kraftstoffe können den Lösungsmitteln ähnliche Substanzen enthalten. Betanken Sie das Werkzeug ausschließlich an einem gut belüfteten Ort im Freien. Atmen Sie Kraftstoffdämpfe nicht ein, und vermeiden Sie jeglichen Kontakt von Kraftstoffen und Ölen mit der Haut.  
Wenn Haut über längere Zeit wiederholt mit derartigen Substanzen in Kontakt kommt, trocknet die Haut aus.  
Dies kann verschiedenste Hautkrankheiten zur Folge haben. Außerdem wurde von allergischen Reaktionen berichtet.  
Wenn Öle, Kraftstoffe usw. in die Augen gelangen, können Augenirritationen auftreten.  
Falls Öl, Kraftstoff usw. in die Augen gelangt, spülen Sie das betroffene Auge sofort mit klarem Wasser.  
Falls die Augenirritationen anhalten, suchen Sie sofort einen Arzt auf!



Kraftstoff	+	Öl
	50:1	
		25:1
1.000 cm <sup>3</sup> (1 Liter)		20 cm <sup>3</sup> 40 cm <sup>3</sup>
5.000 cm <sup>3</sup> (5 Liter)		100 cm <sup>3</sup> 200 cm <sup>3</sup>
10.000 cm <sup>3</sup> (10 Liter)		200 cm <sup>3</sup> 400 cm <sup>3</sup>

## Betanken

- Der Motor muss ausgeschaltet sein.
- Schalten Sie den Motor aus, halten Sie den Motor von Flammen fern und rauchen Sie während des Betankens nicht.
- Stellen Sie zur Vermeidung einer Kontamination des Erdbodens sicher, dass kein Kraftstoff und kein Öl in das Erdreich eindringt. Wischen Sie verschütteten Kraftstoff unverzüglich von der Heckenschere ab.
- Verschütten Sie keinen Kraftstoff auf den Motor. Wischen Sie ggf. verschütteten Kraftstoff ab.
- Achten Sie darauf, dass Ihre Kleidung nicht in Kontakt mit Kraftstoff kommt. Falls Ihre Kleidung in Kontakt mit Kraftstoff kommt, wechseln Sie die Kleidung sofort (Brandgefahr!).
- Überprüfen Sie den Tankdeckel regelmäßig auf ordnungsgemäßen Sitz und auf Dichtheit.
- Schrauben Sie den Tankdeckel ordnungsgemäß fest. Entfernen Sie sich mindesten 3 m vom Ort des Betankens, bevor Sie den Motor starten.
- Betanken Sie das Werkzeug niemals in geschlossenen Räumen. Auf dem Fußboden kann es zu einer Ansammlung von Kraftstoffdämpfen und dadurch zu einer Verpuffung oder gar Explosion kommen.
- Transportieren und lagern Sie Kraftstoffe ausschließlich in dafür zugelassenen Behältern. Stellen Sie sicher, dass Kinder keinen Zugang zu gelagertem Kraftstoff haben.
- Reinigen Sie den Bereich um den Tankdeckel sorgfältig, damit kein Schmutz in den Kraftstofftank gelangt.
- Schrauben Sie den Deckel ab und füllen Sie den Tank mit Kraftstoff auf. Verwenden Sie zum Filtern des Kraftstoffs einen Trichter mit entsprechendem Filtereinsatz.
- Schrauben Sie den Tankdeckel von Hand wieder fest.
- Reinigen Sie nach dem Betanken den Bereich um Schraubdeckel und Tank.
- Wischen Sie verschütteten Kraftstoff unbedingt ab (Brandgefahr!).



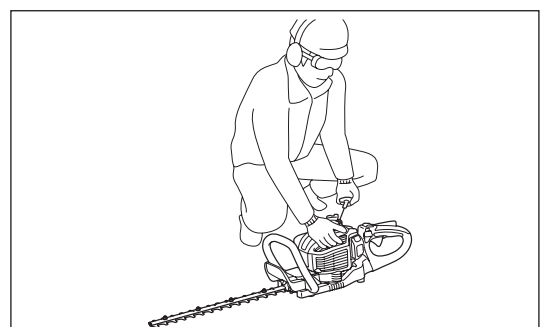
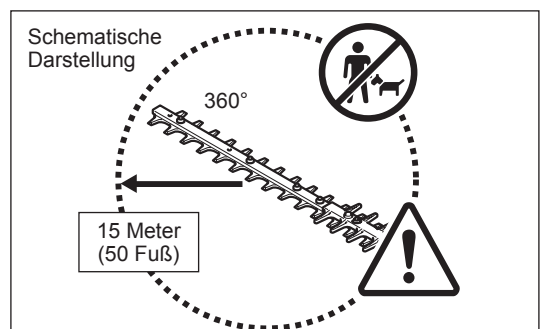
## Aufbewahrung von Kraftstoffen

- Kraftstoffe können nicht zeitlich unbegrenzt gelagert werden.
- Kaufen Sie nur die Menge an Kraftstoff, die Sie in einem Zeitraum von 4 Wochen verbrauchen.
- Verwenden Sie ausschließlich zugelassene Kraftstoffbehälter.



## SICHERHEITSMASSNAHMEN VOR DEM ARBEITEN

- Stellen Sie sicher, dass sich keine Personen in einem Arbeitsbereich von 15 Metern aufhalten. Dies gilt insbesondere für Kinder. Achten Sie auch auf Tiere im Arbeitsbereich.
- Überprüfen Sie die Heckenschere vor jeder Verwendung auf Betriebssicherheit: Überprüfen Sie das Schneidmesser auf Beschädigungen, den Gashebel auf einfache Betätigung und den E/A-Schalter auf ordnungsgemäße Funktion. Stellen Sie sicher, dass sich die Schneidmesser nicht bewegen, wenn der Motor im Leerlauf läuft. Wenden Sie sich bei Bedenken an Ihren Händler. Stellen Sie sicher, dass die Griffe sauber und trocken sind, und testen Sie die Funktion des E/A-Schalters.
- Starten Sie die Heckenschere ausschließlich wie in der Betriebsanleitung vorgegeben. Starten Sie den Motor auf keine andere Weise. (Siehe unter „Starten“.)
- Starten Sie den Motor nur, wenn die Heckenschere vollständig zusammengebaut ist. Das Starten des Motors ist nur zulässig, wenn alle vorgeschriebenen Zubehörteile an der Heckenschere angebracht sind. Anderenfalls besteht Verletzungsgefahr.
- Stellen Sie vor dem Starten sicher, dass das Schneidschwert keine Gegenstände wie z. B. Äste, Steine usw. berührt.
- Inspizieren Sie den Arbeitsbereich auf Drähte, Schnüre, Glas und sonstige Fremdkörper, die mit dem Schneidschwert in Berührung kommen könnten, bevor Sie mit der Heckenschere schneiden.
- Stromschlag: Achten Sie unbedingt auf alle Arten an Elektroleitungen und Elektrozäunen. Überprüfen Sie den gesamten Arbeitsbereich vor dem Schneiden auf Elektroleitungen und Elektrokabel.







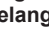
## STARTEN DES WERKZEUGS


Bewegen Sie sich mindestens 3 m von dem Platz des Betankens weg. Legen Sie die Heckenschere auf einem sauberen Untergrund ab. Achten Sie darauf, dass das Schneidschwert nicht in Kontakt mit dem Erdboden oder anderen Gegenständen kommt.

**Kaltstart:** (wenn der Motor kalt ist oder länger als 5 Minuten ausgeschaltet war und nach dem Betanken)

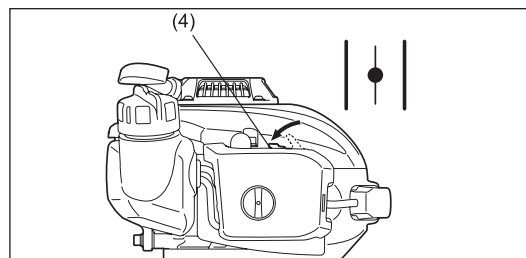
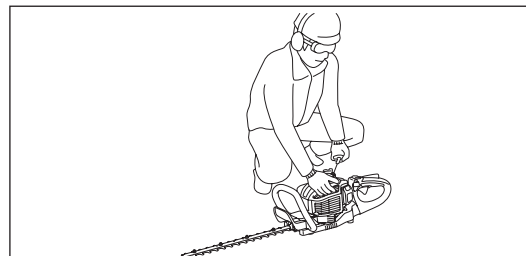
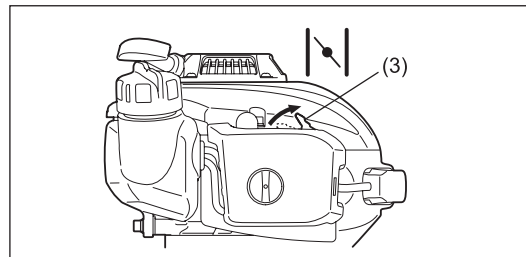
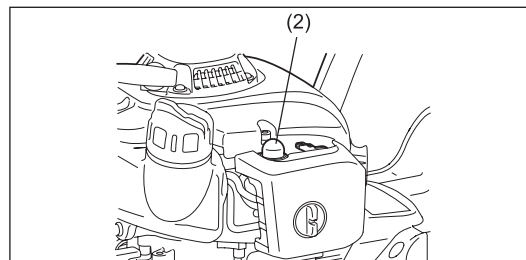
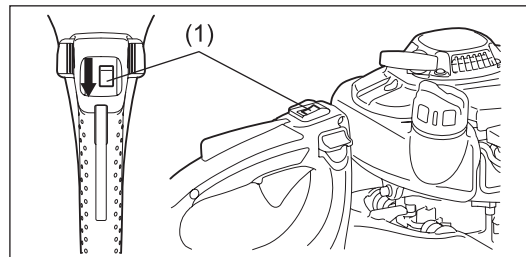
1. Stellen Sie den E/A-Schalter (1) auf „I“ (EIN).
2. Drücken Sie mehrmals (7 bis 10 Mal) leicht die Anlasspumpe (2), bis Kraftstoff in die Anlasspumpe gelangt.
3. Bringen Sie den Choke-Hebel (3) in die Position „“.
4. Halten Sie das Werkzeug mit festem Griff nach unten, damit Sie beim Starten des Motors mittels Seilzug nicht die Kontrolle verlieren. Bei Nichtbeachtung kann es zu einem Sturz oder zum Kontakt mit dem Schneidschwert und dadurch zu schweren Verletzungen, Sachschäden und/oder Beschädigungen des Werkzeugs kommen.
5. Ziehen Sie den Startergriff langsam um 10 bis 15 cm, bis Sie einen Widerstand fühlen.
6. Ziehen Sie kraftvoll am Startergriff. Dabei spüren Sie einen Widerstand, und der Motor startet.
7. Nachdem der Motor angesprungen ist oder anläuft und stoppt, bringen Sie den Choke-Hebel (4) wieder in die Position „“.
8. Lassen Sie den Motor für etwa eine Minute mit einer angemessenen Drehzahl laufen, bevor Sie Vollgas geben.

**Hinweis:**

- Wenn Sie den Startergriff wiederholt ziehen, und sich der Choke-Hebel dabei in der Position „“ befindet, springt der Motor aufgrund übermäßiger Kraftstoffansaugung nur schwer an.
- Falls zu viel Kraftstoff in den Motor gelangt ist, schrauben Sie die Zündkerze heraus und ziehen Sie langsam am Startergriff, damit der übermäßige Kraftstoff aus dem Motor austritt. Trocknen Sie außerdem die Elektroden der Zündkerze.

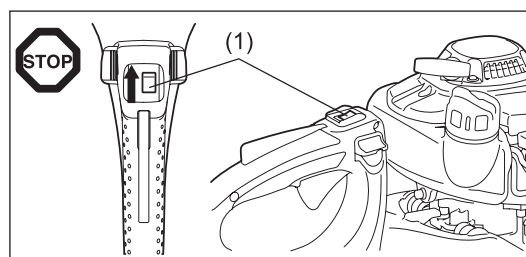
**Warmstart:** (Neustart direkt nach dem Stoppen des Motors) Um einen warmen Motor zu starten, versuchen Sie zuerst das oben erläuterte Verfahren: 1, 2, 4, 5, 6 mit dem Choke-Hebel (4) in Position „“. Wenn der Motor nicht anspringt, wiederholen Sie die oben angegebenen Schritte 1 bis 8.

**Hinweis:** Ziehen Sie das Starterseil nicht vollständig aus dem Seilzugstarter heraus. Achten Sie darauf, dass das Starterseil mit Startergriff nicht unkontrolliert aufgewickelt wird. Stellen Sie sicher, dass das Seil langsam aufgewickelt wird.



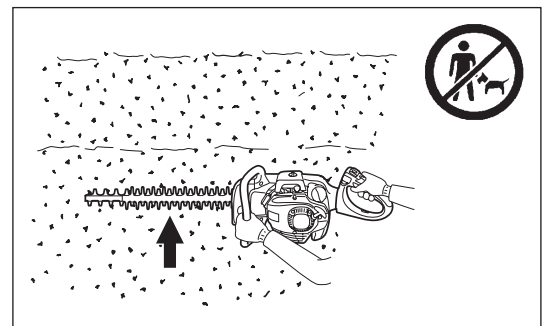
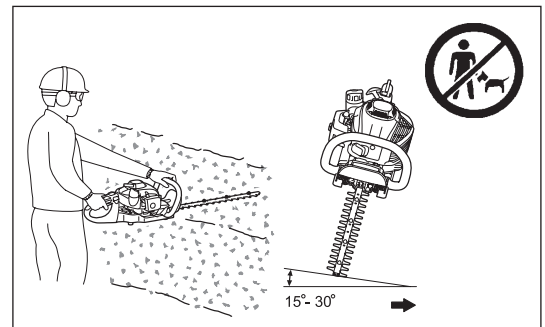
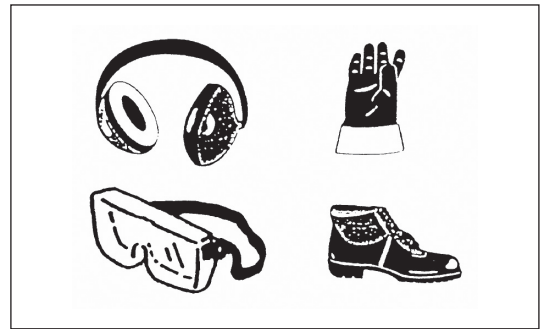
## STOPPEN DES WERKZEUGS

1. Lassen Sie den Gashebel ganz los.
2. Stellen Sie den E/A-Schalter (1) auf „O“ (AUS). Der Motor tourt ab und stoppt.



## HANDHABUNG DES WERKZEUGS

- Halten Sie die Heckenschere beim Arbeiten stets mit festem Griff.
- Vermeiden Sie beim Starten des Motors und während des Betriebs unbedingt jede Berührung mit dem Schneidschwert.
- Betreiben Sie die Heckenschere stets so, dass Sie keine Abgase einatmen. Betreiben Sie den Motor niemals in geschlossenen Räumen (Erstickungs- und Vergiftungsgefahr). Kohlenmonoxid ist ein geruchloses Gas.
- Während des Betriebs müssen alle mit dem Werkzeug gelieferten Schutzvorrichtungen wie beispielsweise Abdeckungen ordnungsgemäß am Werkzeug befestigt sein.
- Betreiben Sie den Motor niemals mit beschädigtem Schalldämpfer.
- Verwenden Sie die Heckenschere nur bei guten Licht- und Sichtverhältnissen.
- Achten Sie in der kalten Jahreszeit auf rutschige oder nasse Bereiche, Eis und Schnee (Rutschgefahr). Sorgen Sie immer für einen sicheren Stand.
- Betreiben Sie die Heckenschere niemals auf einer Leiter stehend. Sie müssen mit beiden Füßen auf dem Boden stehen.
- Klettern Sie niemals auf Bäume, um mit der Heckenschere zu schneiden.
- Arbeiten Sie niemals auf nicht stabilen Flächen.
- Entfernen Sie Sand, Steine, Nägel, Drähte usw. aus dem Arbeitsbereich. Fremdkörper können die Schneidmesser beschädigen.
- Schneiden Sie vor dem Schneiden der Hecke Äste von 8 mm oder dicker mit einer Astschere heraus.
- Vergewissern Sie sich vor Beginn des Schnitts, dass die Schneidmesser die volle Arbeitsgeschwindigkeit erreicht haben.
- Halten Sie die Heckenschere zu jeder Zeit ausschließlich an den Griffen und mit beiden Händen und mit festem Griff.
- Erfassen Sie das Werkzeug mit festem Griff, wobei die Finger die Griffe voll umfassen.
- Nach dem Loslassen des Gasgriffs vergeht eine kurze Zeit bis zum Anhalten der Schneidmesser.
- Betreiben Sie die Heckenschere nicht mit hoher Leerlaufdrehzahl. Bei einer zu hoch eingestellten Leerlaufdrehzahl können Sie die Geschwindigkeit der Schneidmesser nicht mehr mit dem Gasgriff regulieren.
- Halten Sie beim Schnittvorgang die Heckenschere so, dass das Schwert einen Winkel von 15° bis 30° mit der Schnittlinie bildet.
- Geben Sie beim Schneiden von Hecken in der Nähe oder an Drahtzäunen besondere Obacht.
- Achten Sie darauf, dass das Schneidschwert keine harten Objekte wie beispielsweise Drahtzäune, Steine oder den Boden berührt. Bei Berührung solcher Gegenstände können Schneidmesser bersten, reißen oder abbrechen.
- Sollte das Schneidschwert auf Steine oder andere harte Gegenstände treffen, schalten Sie sofort den Motor aus und überprüfen Sie das Schwert auf Beschädigungen. Ersetzen Sie ein beschädigtes Schneidmesser, bevor Sie die Arbeiten fortsetzen.
- Legen Sie regelmäßig Pausen ein. DOLMAR empfiehlt, nach 50 Minuten Schnittarbeiten eine Pause von 10 bis 20 Minuten einzulegen.
- Falls Probleme mit dem Motor auftreten, schalten Sie den Motor sofort aus.
- Versuchen Sie immer, die Heckenschere mit einer kleinstmöglichen Lärm- und Schadstoffemission zu betreiben. Überprüfen Sie insbesondere den Vergaser auf korrekte Einstellung und halten Sie das vorgeschriebene Mischverhältnis von Kraftstoff und Öl ein.
- Versuchen Sie niemals, verklemmtes Material bei sich bewegenden Schneidmessern zu entfernen. Schalten Sie das Werkzeug aus, legen Sie es ab und entfernen Sie erst dann derartiges Material.

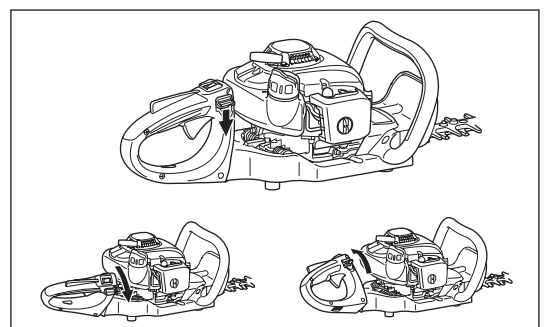


## EINSTELLEN DES WINKELS DES HINTEREN GRIFFS

Der hintere Griff kann um bis zu 90° nach links bzw. nach rechts gedreht und bei jeweils 45° arretiert werden.  
So verändern Sie den Winkel:

1. Drücken Sie den Entriegelungshebel, um die Griffverriegelung zu lösen.
2. Drehen Sie den Griff in den gewünschten Winkel von 0°, 45° oder 90°.
3. Stellen Sie sicher, dass der Entriegelungshebel in seine ursprüngliche Position zurückgekehrt und die Griffverriegelung eingerastet ist.

Betätigen Sie nicht den Gashebel, wenn die Griffverriegelung entriegelt ist.  
Entriegeln Sie die Griffverriegelung nicht während der Schneidarbeiten.



## WARTUNGSANWEISUNGEN

- Stellen Sie den Motor aus und ziehen Sie den Kerzenstecker von der Zündkerze, bevor Sie das Schneidschwert reinigen/austauschen/schärfen oder sonstige Wartungsarbeiten ausführen.
- Begradigen oder schweißen Sie beschädigte Schneidwerkzeuge niemals.
- Überprüfen Sie bei ausgeschaltetem Motor das Schneidschwert regelmäßig auf Schäden.
- Achten Sie darauf, dass Schneidwerkzeuge immer ordnungsgemäß geschärft sind.
- Reinigen Sie die Heckenschere regelmäßig und überprüfen Sie, ob alle Schrauben und Muttern ordnungsgemäß angezogen sind.
- Führen Sie Wartungsarbeiten an der Heckenschere niemals in der Nähe von offenen Flammen, von Funken usw. aus. Brandgefahr!
- Die Messer sind scharf; tragen Sie daher beim Umgang mit den Messern und beim Schärfen der Messer stets Schutzhandschuhe.

### Schärfen der Messer

Wenn die Schneiden abgerundet sind und nicht mehr gut schneiden, schleifen Sie die in der Abbildung schraffiert dargestellten Stellen der Schneiden. Schleifen Sie nicht an den Kontaktflächen (Gleitflächen) der oberen und unteren Schneiden.

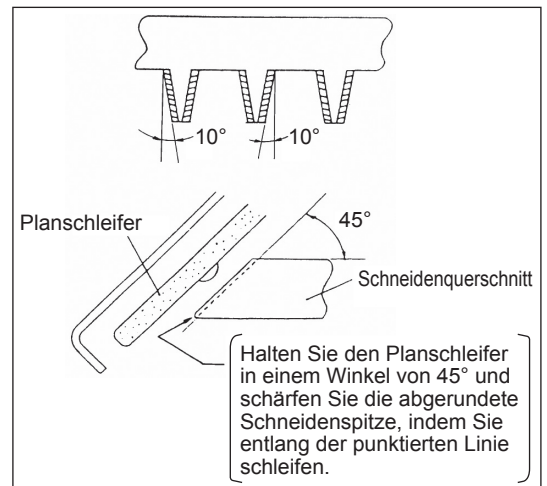
- Schalten Sie den Motor aus, ziehen Sie den Zündkerzenstecker ab und stellen Sie sicher, dass das Schneidschwert und die Messer gesichert sind, bevor Sie die Schneiden schleifen.
- Tragen Sie Handschuhe, eine Schutzbrille usw.
- Schleifen Sie nicht zu viel Material ab. Dadurch würde die gehärtete Schicht entfernt, und die Messer werden bei Gebrauch recht schnell stumpf.



### Nachstellen des Abstands zwischen oberen und unteren Messern

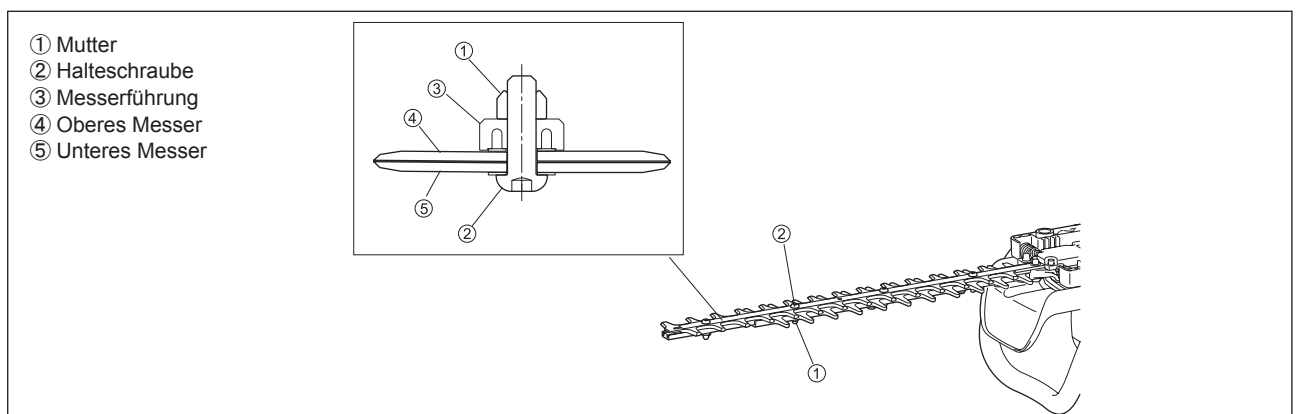
Die oberen/unteren Scheiden verschleifen. Wenn kein sauberer Schnitt gelingt, obwohl die Messer scharf genug sind, stellen Sie den Abstand zwischen den Messern wie folgt nach:

1. Lösen Sie die Schrauben, um das Schneidschwert vom Werkzeug abzunehmen.
2. Lösen Sie mit Hilfe eines Ring- oder Maulschlüssels die Mutter (1).
3. Ziehen Sie mit Hilfe eines Inbusschlüssels die Halteschraube (2) leicht nach, bis Sie einen Widerstand spüren, und lockern Sie die Halteschraube wieder um eine Vierteldrehung.
4. Halten Sie die Halteschraube (2) fest und ziehen Sie die Mutter (1) fest.
5. Bringen Sie auf die Kontaktflächen der Messer etwas dünnes Öl auf.
6. Starten Sie den Motor und betreiben Sie den Motor eine Minute lang, wobei Sie immer wieder Gas geben und wegnehmen.
7. Stoppen Sie die Zeit, die die Schneiden nachdem Loslassen des Gashebels bis zum Stillstand benötigen. Wenn dies zwei Sekunden oder länger dauert, stoppen Sie den Motor und wiederholen Sie die Schritte 2 bis 7.
8. Stoppen Sie den Motor und berühren Sie die Messeroberfläche. Wenn die Messer nicht zu heiß sind, um sie zu berühren, ist die Einstellung in Ordnung. Sind die Messer zu heiß zum Berühren, lösen Sie die Halteschraube (2) etwas und wiederholen Sie die Schritte 6 bis 8.
9. Befestigen Sie das Schneidschwert wieder mit Hilfe der Schrauben am Werkzeug.



**HINWEIS: Stoppen Sie den Motor und achten Sie darauf, dass die Schneidmesser vollständig angehalten sind, bevor Sie Einstellungen vornehmen.**

**In den Messern befinden sich in der Nähe von Schraube (2) Schlitz. Falls diese Schlitz mit Staub verstopft sind, reinigen Sie die Schlitz.**



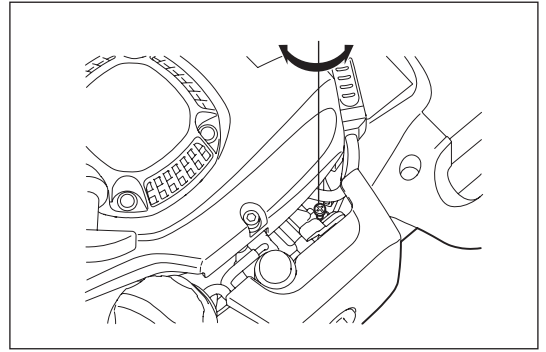
## Überprüfen und Einstellen der Leerlaufdrehzahl

Wenn der Motor im Leerlauf ist, sollten die Schneidmesser stillstehen.

- Die Leerlaufdrehzahl sollte auf  $3.000 \text{ min}^{-1}$  (U/min) eingestellt sein.
- Stellen Sie die Leerlaufdrehzahl anhand der Leerlaufschraube ein (wenn der Motor im Leerlauf läuft, müssen die Schneidmesser stillstehen).
  - Wenn sich die Messer im Leerlauf bewegen, drehen Sie die Leerlaufschraube entgegen dem Uhrzeigersinn, um die Leerlaufdrehzahl zu verringern.
  - Wenn der Motor im Leerlauf stoppt, drehen Sie die Leerlaufschraube im Uhrzeigersinn, um die Leerlaufdrehzahl zu erhöhen.

Falls sich die Schneidblätter im Leerlauf auch nach dem Einstellen der Leerlaufdrehzahl weiter bewegen, wenden Sie sich an Ihr autorisiertes Servicezentrum.

- Die Kupplung sollte frühestens bei  $3.750 \text{ min}^{-1}$  (U/min) einkuppeln.
- Prüfen Sie den E/A-Schalter, den Handgriff-Entriegelungshebel und den Gashebel ordnungsgemäße Funktion.



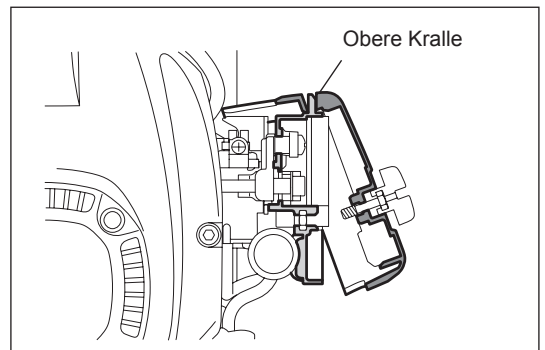
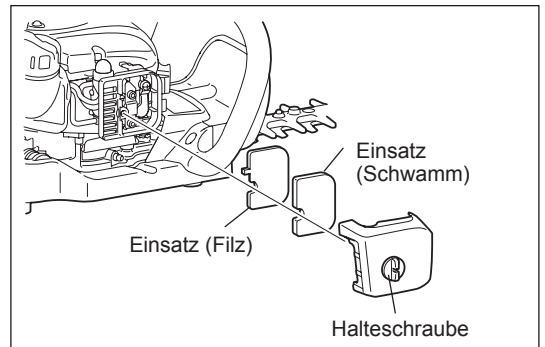
## Reinigen des Luftfilters



**GEFAHR: Offene Flammen strengstens verboten!**

Überprüfen und reinigen Sie den Luftfilter täglich bzw. spätestens nach 10 Betriebsstunden.

- Drehen Sie den Choke-Hebel vollständig zu, und halten Sie den Vergaser frei von Staub und Schmutz.
- Lösen Sie die Halteschraube.
- Nehmen Sie den Luftfilter heraus, indem Sie den Luftfilterdeckel an seiner Rückseite nach vorn ziehen.
- Wenn der Einsatz (Schwamm) durch Öl verschmutzt ist, drücken Sie den Einsatz mit Kraft aus.
- Bei starker Verschmutzung:
  - 1) Entnehmen Sie den Einsatz (Schwamm), tauchen Sie ihn in warmes Wasser oder in Wasser mit verdünntem neutralen Reinigungsmittel, und lassen Sie den Einsatz anschließend vollständig trocknen.
  - 2) Reinigen Sie den Einsatz (Filz) mit Benzin, und lassen Sie den Einsatz gründlich trocknen.
- Lassen Sie die Einsätze vollständig trocknen, bevor Sie den Luftfilter wieder einbauen. Bei unzureichender Trocknung der Einsätze können Schwierigkeiten beim Starten des Motors auftreten.
- Wischen Sie um den Luftfilter anhaftendes Öl mit Hilfe eines Putzlappens ab.
- Bringen Sie unmittelbar nach dem Reinigen den Luftfilterdeckel wieder an und sichern Sie den Deckel mittels Halteschraube. (Setzen Sie beim Anbringen zuerst die obere Kralle ein.)



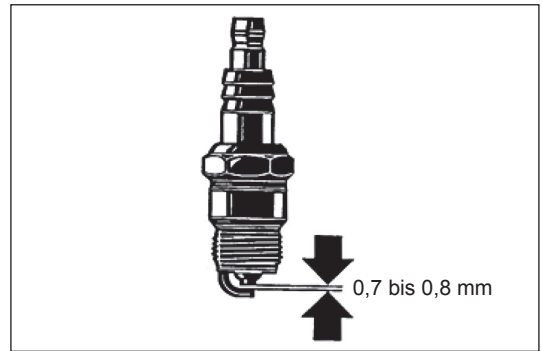
### Wichtige Punkte beim Umgang mit den Luftfiltereinsätzen

- Reinigen Sie die Einsätze mehrere Male am Tag, falls übermäßig Staub anhaftet.
- Falls der Betrieb mit ölverschmutzten Einsätzen fortgesetzt wird, kann Öl aus dem Luftfilter austreten und zu einer Ölverschmutzung führen.

## Überprüfen der Zündkerze

Überprüfen und reinigen Sie die Zündkerze täglich bzw. spätestens nach 8 Betriebsstunden.

- Verwenden Sie zum Heraus- und Einschrauben der Zündkerze ausschließlich den mitgelieferten Universalschraubenschlüssel.
- Der Abstand zwischen den beiden Elektroden der Zündkerze sollte 0,7 bis 0,8 mm betragen. Wenn der Abstand zu klein oder zu groß ist, korrigieren Sie den Abstand. Falls die Zündkerze mit Kohle zugesetzt oder verschmutzt ist, reinigen Sie die Zündkerze gründlich oder setzen Sie eine neue Zündkerze ein. Verwenden Sie ausschließlich Ersatzzündkerzen des exakt gleichen Typs.



## Abschmieren

- Drücken Sie alle 50 Betriebsstunden Schmierfett in den Schmiernippel (Shell Alvania Nr. 3 oder gleichwertig).

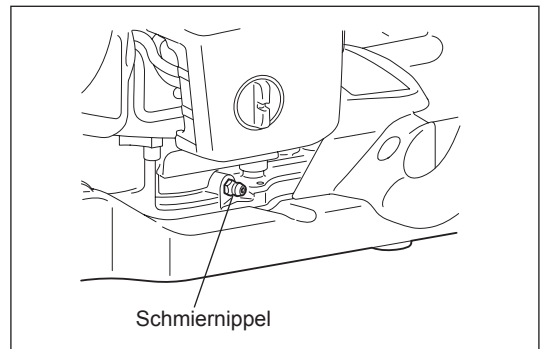
**HINWEIS:** Halten Sie unbedingt die vorgegebenen Schmierintervalle und Schmierfettmengen ein. Anderenfalls kann es durch mangelnde Schmierung zu Schäden am Werkzeug kommen.

## Reinigen des Kraftstofffilters (Ansaugkopf im Kraftstofftank)

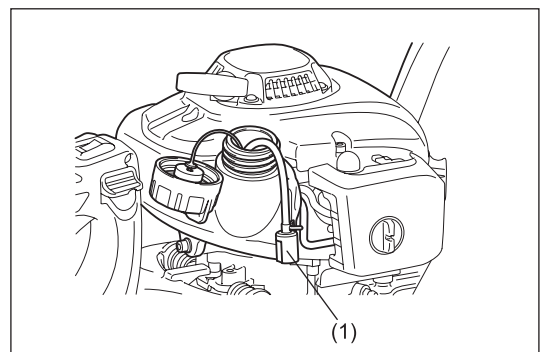
**WARNUNG: Offene Flammen strengstens verboten!**

Überprüfen und reinigen Sie den Kraftstofffilter monatlich bzw. spätestens nach 50 Betriebsstunden.

- Der vom Vergaser benötigte Kraftstoff wird durch den Feinfilter (1) im Ansaugkopf gefiltert.
- Nehmen Sie regelmäßig eine Sichtprüfung des Feinfilters vor.
- Für die Überprüfung des Feinfilters öffnen Sie den Tankdeckel, und ziehen Sie mit einem Drahhaken den Ansaugkopf durch die Tanköffnung. Wenn der Feinfilter verhärtet, verschmutzt oder verstopft ist, tauschen Sie den Feinfilter durch einen neuen aus.
- Tauschen Sie den Feinfilter mindestens alle 3 Monate aus, damit die Zufuhr von ausreichend Kraftstoff zum Vergaser sichergestellt ist. Eine zu geringe Zufuhr von Kraftstoff führt zu Startschwierigkeiten des Motors und zu einer Verringerung der Maximaldrehzahl.



Schmiernippel



(1)

## Austauschen der Kraftstoffleitung

**ACHTUNG: Offene Flammen strengstens verboten!**

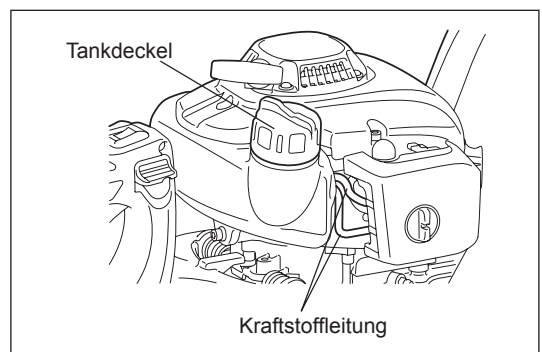
Überprüfen und reinigen Sie die Kraftstoffleitung täglich bzw. spätestens nach 10 Betriebsstunden.

Tauschen Sie die Kraftstoffleitung nach 200 Betriebsstunden oder spätestens, unabhängig von der Betriebsdauer, jährlich aus. Anderenfalls kann es zu einem Brand durch austretenden Kraftstoff kommen.

Falls Sie austretenden Kraftstoff bemerken, tauschen Sie die Kraftstoffleitung sofort aus.

## Ersetzen des Tankdeckels

- Falls der Tankdeckel einen Riss oder eine Beschädigung aufweist, ersetzen Sie den Deckel.
- Der Tankdeckel weist im Laufe der Zeit Abnutzungen auf. Ersetzen Sie den Tankdeckel alle zwei bis drei Jahre.



Tankdeckel

Kraftstoffleitung

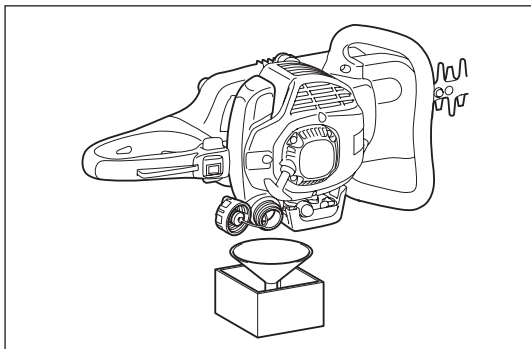
Falls Wartungsarbeiten und Einstellungen vorgenommen werden müssen, die nicht in dieser Betriebsanleitung erläutert sind, wenden Sie sich an Ihr autorisiertes DOLMAR Servicecenter.

## Tägliche Inspektionen und Wartungsarbeiten

Führen Sie die folgenden Wartungsarbeiten regelmäßig durch, um eine lange Lebenszeit des Werkzeugs zu erzielen und Beschädigungen am Werkzeug zu vermeiden.

- Vor der Verwendung:
  - Überprüfen Sie das Werkzeug auf gelockerte Schrauben und fehlende Teile. Achten Sie insbesondere darauf, dass die Schrauben der Schneidmesser ordnungsgemäß festgezogen sind.
  - Überprüfen Sie, dass die Kühlluftdurchgänge und Zylinderlamellen nicht verstopft sind. Reinigen Sie diese bei Bedarf.
  - Reinigen und prüfen Sie den Kraftstofftank auf Lecks oder Fremdkörper im Tank.
- Nach der Verwendung:
  - Reinigen Sie die Heckenscherer äußerlich und überprüfen Sie die Heckenscherer auf Beschädigungen.
  - Reinigen Sie den Luftfilter. Wenn Sie unter sehr staubigen Bedingungen arbeiten, reinigen Sie den Filter mehrmals am Tag.
  - Überprüfen Sie die Schneidmesser auf Beschädigungen und stellen Sie sicher, dass die Messer ordnungsgemäß montiert sind.

## AUFBEWAHRUNG



- Wenn Sie das Werkzeug längere Zeit einlagern möchten, lassen Sie wie im Folgenden erläutert den Kraftstoff vollständig aus Tank und Vergaser ab: Entleeren Sie den Kraftstofftank vollständig.
- Schrauben Sie die Zündkerze heraus und geben Sie einige wenige Tropfen Öl in die Zündkerzenöffnung. Ziehen Sie anschließend langsam an der Starterschnur, damit die gesamte Innenseite des Zylinders durch einen Ölfilm bedeckt wird, und schrauben Sie die Zündkerze wieder ein.
- Entfernen Sie Staub und Schmutz von den Schneidmessern und außen vom Werkzeug, wischen Sie Messer und Werkzeug mit einem öligen Lappen ab und bewahren Sie das Werkzeug an einem möglichst trockenen Ort auf.

## WARTUNGSPLAN

<b>Nach jedem Betanken</b>	Gashebel E/A-Schalter	Prüfen auf ordnungsgemäße Funktion Prüfen auf ordnungsgemäße Funktion
<b>Vor jeder Verwendung</b>	Motor, Schrauben und Muttern Luftfilter Kühlluftkanal Schneidwerkzeug Leerlaufdrehzahl Kraftstofftank	Sichtprüfung auf Beschädigungen und festen Sitz Prüfen auf allgemeinen Zustand und Sicherheit Reinigen Reinigen Prüfen auf Beschädigungen und Schärfe Überprüfen (Schneidwerkzeug darf sich nicht bewegen) Prüfen und Reinigen
<b>Aller 50 Stunden</b>	Getriebegehäuse	Abschmieren
<b>Wöchentlich</b>	Zündkerze	Überprüfen und ggf. austauschen
<b>Jährlich</b>	Kraftstoffleitung	Austauschen
<b>Aller zwei Jahre</b>	Tankdeckel	Austauschen
<b>Vor einer langfristigen Lagerung</b>	Kraftstofftank Vergaser Ansaugkopf	Leeren und Reinigen Betreiben des Motors, bis der Kraftstoff vollständig verbraucht ist Austauschen

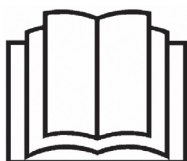
## PROBLEMBEHEBUNG

Problem	System	Beobachtung	Ursache
Motor startet nicht oder mit Schwierigkeiten	Zündungssystem	Zündfunke vorhanden	Fehler der Kraftstoffversorgung oder des Verdichtungssystems, mechanischer Defekt
		Kein Zündfunke	E/A-Schalter betätigt, Fehler oder Kurzschluss in Verdrahtung, Zündkerze oder Zündkerzenstecker defekt, Zündmodul defekt
	Kraftstoffzufuhr	Kraftstofftank gefüllt	Choke nicht in korrekter Position, Vergaser defekt, Ansaugkopf (Kraftstofffilter) verschmutzt, Kraftstoffleitung verbogen oder unterbrochen
	Verdichtung	Im Inneren des Motors	Zylinderfußdichtung defekt, Kurbelwellendichtungen beschädigt, Zylinder oder Kolbenringe defekt
		Außen am Motor	Zündkerzendichtung nicht in Ordnung
Warmstartprobleme	Mechanischer Fehler	Starter greift nicht ein	Gebrochene Starterfeder, gebrochene Teile innerhalb des Motors
		Tank gefüllt, Zündfunken vorhanden	Vergaser verschmutzt, wurde gereinigt
Motor startet, geht jedoch gleich wieder aus	Kraftstoffzufuhr	Tank gefüllt	Leerlaufdrehzahl nicht richtig eingestellt, Ansaugkopf oder Vergaser verschmutzt
			Problem mit Lüftungsöffnung Kraftstofftank, Kraftstoff-Zufuhrleitung unterbrochen, Kabel oder E/A-Schalter defekt
Unzureichende Leistung	Möglicherweise sind mehrere Systeme gleichzeitig betroffen	Motor im Leerlauf	Luftfilter verschmutzt, Vergaser verschmutzt, Schalldämpfer verstopft, Auslasskanal im Zylinder verstopft

Dziękujemy za wybranie spalinowych nożyc do żywopłotu firmy DOLMAR. Cieszymy się, że możemy Państwu zaoferować spalinowe nożyce do żywopłotu DOLMAR, które są owocem długiego programu rozwoju oraz wieloletniej wiedzy i doświadczenia.

Modele spalinowych nożyc do żywopłotu HT-2350D, HT-2360D i HT-2375D są połączeniem zalet nowoczesnej technologii i ergonomicznej budowy, są lekkie, poręczne, kompaktowych rozmiarów i stanowią profesjonalny sprzęt do wielu rozmaitych zastosowań.

**Należy przeczytać ze zrozumieniem, a następnie przestrzegać zaleceń zawartych w tej broszurze, która w szczegółowy sposób opisuje funkcje narzędzia i jego doskonałe parametry techniczne. Pomoże to bezpiecznie i optymalnie wykorzystać możliwości spalinowych nożyc do żywopłotu DOLMAR.**



<b>Spis treści</b>	<b>Strona</b>
Symbole.....	31
Zasady bezpieczeństwa.....	32
Dane techniczne.....	35
Opis części.....	36
Paliwo/ uzupełnianie paliwa.....	37
Środki ostrożności przed uruchomieniem.....	38
Uruchamianie narzędzia.....	39
Wyłączanie narzędzia.....	39
Obsługa narzędzia.....	40
Regulacja kąta uchwytu tylnego.....	40
Instrukcja konserwacji.....	41
Przechowywanie.....	44
Harmonogram konserwacji.....	44
Wyszukiwanie usterek.....	44

## SYMBOLE

Podczas czytania instrukcji obsługi bardzo ważne jest zrozumienie następujących symboli.

	OSTRZEŻENIE / ZAGROŻENIE		Mieszanka paliwa i oleju
	Przeczytaj ze zrozumieniem i przestrzegaj Instrukcja obsługi		Ręczny rozruch silnika
	Zabronione		Wyłączanie awaryjne
	Nie palić!		Pierwsza pomoc
	Nie używać otwartego ognia!		Recykling
	Nosić rękawice ochronne		ON/START
	Nie pozwalać, aby w miejscu pracy przebywały jakiegokolwiek osoby lub zwierzęta		OFF/STOP
	Używać hełmu ochronnego, ochronników wzroku i słuchu!		Oznaczenie CE

## ZASADY BEZPIECZEŃSTWA

### Zalecenia ogólne

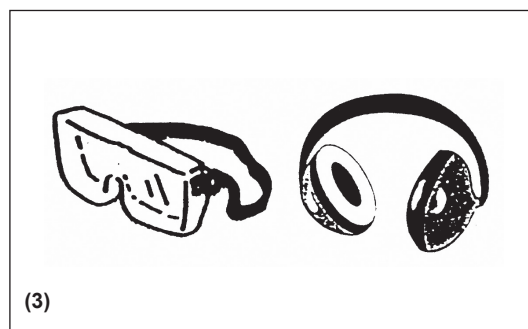
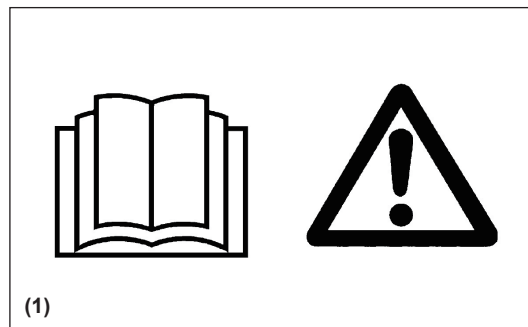
- TO NARZĘDZIE MOŻE SPOWODOWAĆ POWAŻNE OBRAŻENIA CIAŁA. Należy uważnie przeczytać instrukcję, aby dowiedzieć się, jak prawidłowo obsługiwać, przygotowywać, konserwować, uruchamiać i wyłączać narzędzie. Należy poznać wszystkie elementy sterowania i zasady właściwego użytkowania narzędzia. (1)
- Zaleca się udostępnianie spalinowych nożyc do żywopłotu tylko osobom mającym doświadczenie w obsłudze takich narzędzi. Wraz z urządzeniem należy przekazać również instrukcję obsługi.
- Osoby używające narzędzia po raz pierwszy powinny poprosić sprzedawcę o podstawowe informacje, które pozwolą im się zapoznać z obsługą spalinowych nożyc do żywopłotu.
- Spalinowe nożyce do żywopłotu nie mogą być obsługiwane przez dzieci i młodzież w wieku poniżej 18 lat. Młodzież powyżej 16 roku życia może używać urządzenia w celach szkoleniowych, jednak tylko pod nadzorem wykwalifikowanego instruktora.
- Podczas korzystania ze spalinowych nożyc do żywopłotu należy zawsze zachować maksymalną ostrożność.
- Używać spalinowych nożyc do żywopłotu tylko wtedy, gdy jest się w dobrym stanie psychofizycznym. Wszelkie czynności powinny być wykonywane spokojnie i ostrożnie. Użytkownik jest odpowiedzialny za bezpieczeństwo innych osób.
- Nigdy nie używać spalinowych nożyc do żywopłotu, będąc pod wpływem alkoholu lub narkotyków, gdy jest się zmęczonym lub chorym. (2)

### Przeznaczenie urządzenia

- Spalinowe nożyce do żywopłotu są przeznaczone tylko do przycinania krzewów i żywopłotów i nie wolno używać ich do innych celów. Spalinowych nożyc do żywopłotu należy używać zgodnie z ich przeznaczeniem.

### Sprzęt ochrony osobistej

- Odzież noszona podczas pracy powinna być funkcjonalna i odpowiednia, tzn. powinna przylegać do ciała, ale nie może krępować ruchów. Nie nosić biżuterii lub luźnej odzieży, która mogłaby się zaplątać w krzewy lub gałęzie, lub w narzędziu.
- Aby uniknąć obrażeń oczu, dłoni lub stóp, jak również w celu ochrony słuchu, podczas pracy ze spalinowymi nożycami do żywopłotu należy używać następującego sprzętu ochrony osobistej:
- Podczas obsługi spalinowych nożyc do żywopłotu należy zawsze nosić gogle lub osłonę oczu, aby zapobiec obrażeniom oczu. (3)
- Stosować odpowiednie zabezpieczenie, aby uniknąć uszkodzenia słuchu, np. nauszniki, zatyczki do uszu, itp. (3)
- Stanowczo zalecamy użytkownikom noszenie kombinezону roboczego. (4)
- Rękawice ochronne wykonane z grubej skóry stanowią część przepisowego sprzętu ochronnego i należy je zawsze nosić podczas obsługi spalinowych nożyc do żywopłotu. (4)
- Używając spalinowych nożyc do żywopłotu należy zawsze nosić wytrzymałe obuwie na antypoślizgowej podszewie. Takie obuwie chroni przed obrażeniami i zapewnia stabilne oparcie. (4)





## Uruchamianie spalinowych nożyc do żywopłotu

- Upewnić się, że w promieniu 15 metrów (5) nie przebywają żadne dzieci lub inne osoby, a także zwrócić uwagę, czy w pobliżu miejsca pracy nie ma żadnych zwierząt.
- Przed użyciem zawsze należy sprawdzić, czy uruchomienie spalinowych nożyc do żywopłotu jest bezpieczne.
- Sprawdzić bezpieczeństwo dźwigni przepustnicy. Dźwignia przepustnicy powinna poruszać się płynnie i lekko. Sprawdzić prawidłowe działanie blokady dźwigni przepustnicy. Sprawdzić, czy uchwyty są czyste i suche oraz przetestować działanie przełącznika I-O. Chronić uchwyty przed zabrudzeniem olejem i paliwem.

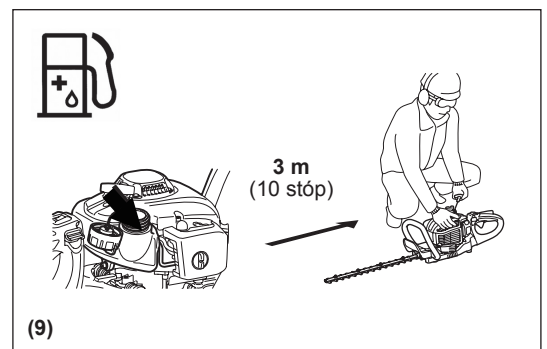
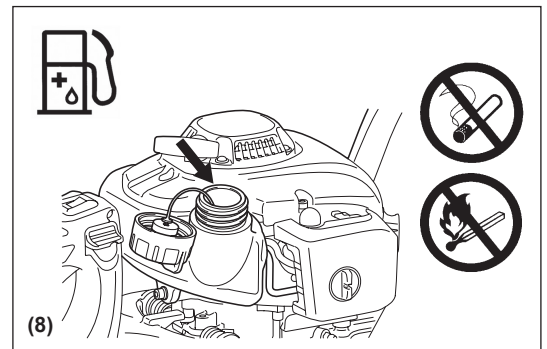
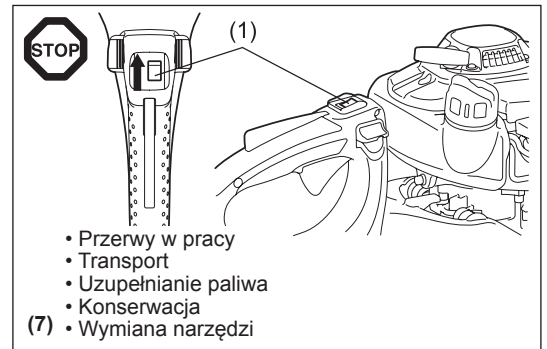
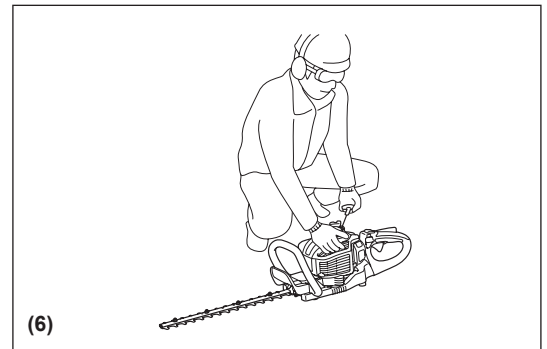
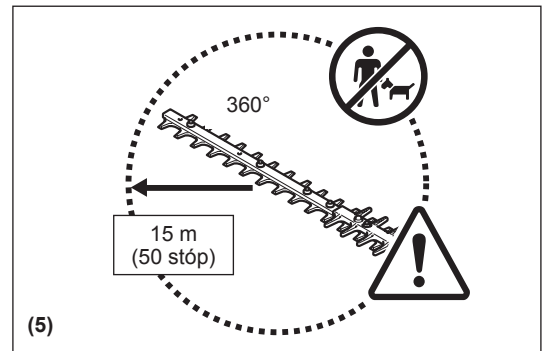
Spalinowe noże do żywopłotu należy uruchamiać tylko zgodnie z instrukcją obsługi.

### Nie stosować żadnych innych metod w celu uruchomienia silnika (6)!

- Spalinowe nożyce do żywopłotu należy używać tylko do podanych zastosowań.
- Silnik spalinowych nożyc do żywopłotu uruchomić dopiero po zakończeniu montażu całego urządzenia. Korzystanie z narzędzia jest dozwolone dopiero po zamontowaniu wszystkich wymaganych akcesoriów!
- Przed uruchomieniem należy upewnić się, że ostrze tnące nie dotyka żadnych przedmiotów, takich jak gałęzie, kamienie itp.
- W razie jakichkolwiek problemów z silnikiem należy natychmiast go wyłączyć.
- Używając spalinowych nożyc do żywopłotu, należy trzymać obie dłonie na przednim i tylnym uchwycie z palcami mocno zaciśniętymi na uchwytach. Uchwyty powinny być zawsze czyste i wolne od wilgoci, żywicy, oleju lub smaru. **Zawsze należy pamiętać o zachowaniu bezpiecznej, stabilnej postawy.**
- Używać tylko na zewnątrz.
- Zawsze zwracać uwagę na otoczenie i uważać na możliwe zagrożenia, których można nie słyszeć z powodu hałasu narzędzia.
- Spalinowe nożyce do żywopłotu należy obsługiwać w taki sposób, aby unikać wdychania spalin. Nigdy nie uruchamiać silnika w pomieszczeniu zamkniętym (ryzyko uduszenia lub zatrucia gazem). Tlenek węgla jest gazem bezwonny. Zawsze dbać o odpowiednią wentylację.
- Wyłączać silnik na czas przerw w pracy i zostawiając spalinowe nożyce do żywopłotu bez nadzoru. Umieścić urządzenie w bezpiecznym miejscu, aby nie stwarzać zagrożenia dla innych, a także nie doprowadzić do podpalenia materiałów łatwopalnych lub uszkodzenia urządzenia.
- Nigdy nie kłaść rozgrzanych spalinowych nożyc do żywopłotu na suchej trawie lub jakimkolwiek innym materiale łatwopalnym.
- Aby zmniejszyć ryzyko pożaru należy czyścić silnik i tłumik z zanieczyszczeń, liści lub nadmiernej ilości smaru.
- Nigdy nie używać urządzenia z uszkodzonym tłumikiem wydechowym.
- Wyłączać silnik na czas transportu (7).
- Wyłączać silnik przed:
  - usunięciem blokady;
  - przeglądem, konserwacją lub pracą przy narzędziu.
- W czasie transportu samochodem spalinowe nożyce do żywopłotu należy umieścić w bezpieczny sposób, aby zapobiec wyciekowi paliwa.
- W czasie transportu spalinowych nożyc do żywopłotu należy dopilnować, aby zbiornik paliwa był zupełnie pusty, zapobiegając wyciekowi paliwa.
- Podczas transportu lub przechowywania narzędzia należy zawsze zakładać osłonę noża.

### Uzupełnianie paliwa

- Przed uzupełnieniem paliwa (7) należy wyłączyć silnik, oddalić się od otwartego ognia (8) i nie palić.
- Nie uzupełniać paliwa, kiedy silnik jest gorący lub pracuje.
- Chronić skórę przed kontaktem z produktami ropopochodnymi. Nie wdychać oparów paliwa. Podczas uzupełniania paliwa zawsze nosić rękawice ochronne. Pamiętać o regularnej zmianie i praniu odzieży ochronnej.
- Aby zapobiec skażeniu gleby (ochrona środowiska), nie dopuszczać do rozlania paliwa lub oleju. W przypadku rozlania paliwa natychmiast wyczyścić spalinowe nożyce do żywopłotu. Przed zutylizowaniem, tkaninę użytą do usuwania rozlanego paliwa należy wysuszyć w miejscu dobrze wentylowanym. Niestosowanie się do tej zasady może spowodować samozapłon.
- Unikać kontaktu paliwa z odzieżą. W razie zanieczyszczenia odzieży paliwem natychmiast zmienić odzież (zagrożenie).
- Regularnie sprawdzać, czy korek wlewu paliwa jest bezpiecznie dokręcony.
- Starannie dokręcić korek wlewu paliwa. Przed uruchomieniem silnika przenieść urządzenie w inne miejsce (min. 3 metry od miejsca, w którym uzupełniono paliwo) (9).
- Nigdy nie uzupełniać paliwa w pomieszczeniach zamkniętych. Opary paliwa gromadzą się na poziomie podłoża (ryzyko wybuchu).
- Paliwo można transportować i przechowywać tylko w atestowanych kanistrach. Dopilnować, aby paliwo było przechowywane w miejscu niedostępnym dla dzieci.
- Mieszając benzynę z olejem do silników dwusuwowych, używać tylko benzyny, która nie zawiera etanolu ani metanolu (typy alkoholu). Pomoże to uniknąć uszkodzenia przewodów paliwowych i innych części silnika.



## Metoda pracy

- Zawsze trzymać obie dłonie na uchwytach podczas pracy.
- Spalinowe nożyce do żywopłotu należy używać tylko przy dobrym oświetleniu i widoczności. Zimą należy uważać na śliskim lub mokrym terenie, a także na lodzie i śniegu (ryzyko poślizgnięcia). Zawsze należy pamiętać o zachowaniu prawidłowej postawy i równowagi.
- Nigdy nie pracować na niestabilnym podłożu lub w stromym terenie.
- Nie używać spalinowych nożyc do żywopłotu, stojąc na drabinie.
- Nie wspinać się na drzewa w celu cięcia za pomocą spalinowych nożyc do żywopłotu.
- Aby zmniejszyć ryzyko potknięcia się i utraty kontroli nad narzędziem, nie należy chodzić tyłem podczas używania narzędzia.
- Zawsze wyłączać silnik przed czyszczeniem lub serwisowaniem narzędzia lub wymianą części.
- Nie używać narzędzia z uszkodzonym lub nadmiernie zużytym nożem.

## Instrukcja konserwacji

- Należy chronić środowisko naturalne. Spalinowe nożyce do żywopłotu należy używać tak, aby powodować możliwie jak najmniejszy hałas i zanieczyszczenie. W szczególności należy sprawdzić prawidłowe ustawienie gaźnika.
- Regularnie sprawdzać spalinowe nożyce do żywopłotu i upewnić się, że wszystkie śruby i nakrętki są prawidłowo dokręcone.
- Nie serwisować ani nie przechowywać spalinowych nożyc do żywopłotu w pobliżu otwartego ognia, iskier itp. (11).
- Przygotowując spalinowe nożyce do żywopłotu do przechowywania należy opróżnić zbiornik paliwa.
- Nie przechowywać spalinowych nożyc do żywopłotu w pobliżu otwartego ognia, aby uniknąć pożaru.
- Spalinowe nożyce do żywopłotu należy przechowywać w zamkniętym pomieszczeniu o dobrej wentylacji, wysoko lub w zamkniętej przestrzeni, poza zasięgiem dzieci.
- Nie naprawiać narzędzia, nie mając do tego odpowiednich kwalifikacji.

**Przestrzegać i postępować zgodnie ze wszystkimi instrukcjami zapobiegania wypadkom, wydanymi przez komisje bezpieczeństwa przy organizacjach handlowych oraz przez firmy ubezpieczeniowe.**  
**Nie dokonywać żadnych modyfikacji spalinowych nożyc do żywopłotu, ponieważ stanowi to zagrożenie bezpieczeństwa.**

Zakres prac konserwacyjnych lub naprawczych wykonywanych przez użytkownika ograniczony jest do czynności, które opisano w niniejszej instrukcji obsługi. Wszelkie pozostałe prace muszą być wykonywane przez autoryzowany serwis.

Używać tylko oryginalnych części zamiennych i akcesoriów dostarczanych przez autoryzowany lub fabryczny serwis firmy DOLMAR.

Używanie niezatwierdzonych akcesoriów i narzędzi oznacza zwiększone ryzyko wypadków i obrażeń. Firma DOLMAR nie ponosi żadnej odpowiedzialności za wypadki lub szkody spowodowane przez użycie jakichkolwiek niezatwierdzonych akcesoriów.

## Pierwsza pomoc

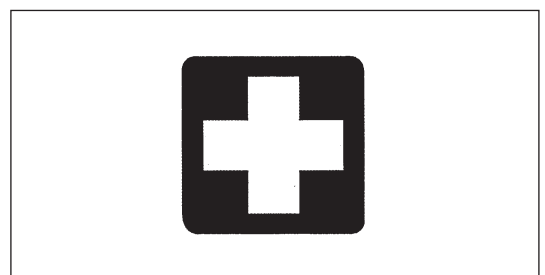
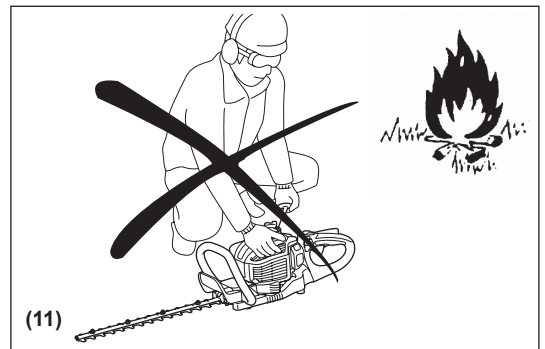
W razie wypadku należy dopilnować, aby w pobliżu miejsca cięcia znajdowała się dobrze wyposażona apteczka pierwszej pomocy, zgodnie z DIN 13164. Wszelkie ubytki z apteczki należy niezwłocznie uzupełniać.

**Wzywając karetkę należy podać następujące informacje:**

- Miejsce wypadku
- Opis wypadku
- Liczbę osób, które odniosły obrażenia
- Zakres obrażeń
- Swoje imię i nazwisko

## Opakowanie

Spalinowe nożyce do żywopłotu DOLMAR są dostarczane w kartonie ochronnym, aby zapobiec uszkodzeniom podczas transportu. Karton jest surowcem wtórnym i nadaje się do powtórnego użytku lub recyklingu (recykling makulatury).



## DEKLARACJA ZGODNOŚCI WE

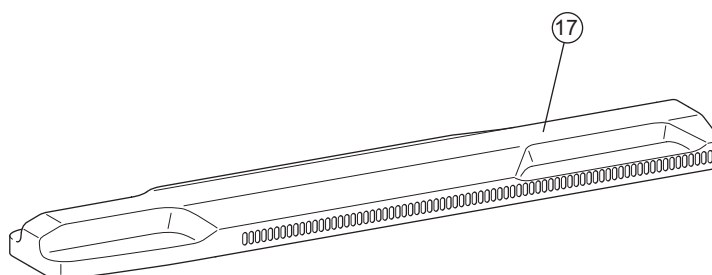
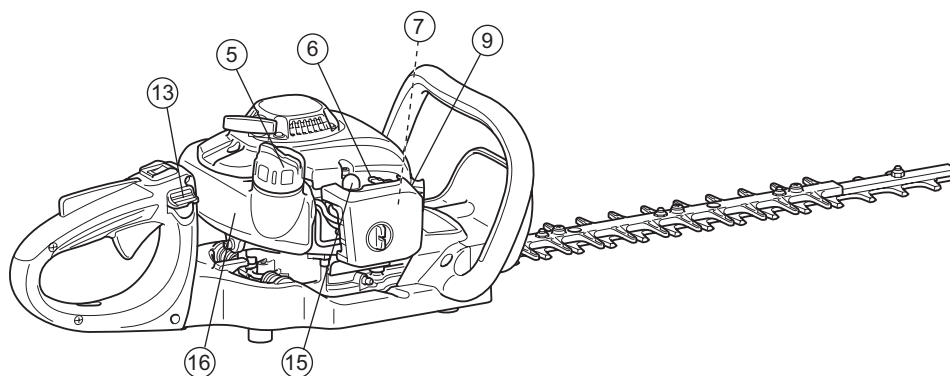
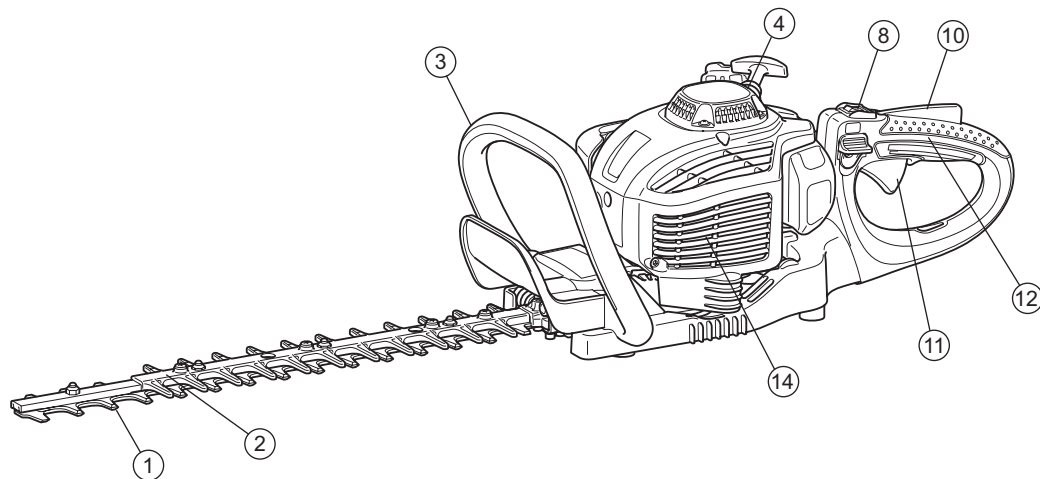
Dotyczy tylko krajów europejskich

Deklaracja zgodności WE została dołączona jako załącznik A do niniejszej instrukcji obsługi.

## DANE TECHNICZNE

Model		HT-2350D	HT-2360D	HT-2375D	
Wymiary (dł. x szer. x wys.)	mm	1 014 x 262 x 216	1 119 x 262 x 216	1 259 x 262 x 216	
Masa (bez osłony noża)	kg	4,8	5,0	5,2	
Pojemność (zbiornik paliwa)	L	0,4			
Pojemność skokowa silnika	cm <sup>3</sup>	22,2			
Długość noża	mm	483	588	728	
Maksymalna moc silnika	kW	0,68			
Liczba skoków na minutę	min <sup>-1</sup>	4 270			
Obroty na biegu jałowym	min <sup>-1</sup>	3 000			
Prędkość włączania sprzęgła	min <sup>-1</sup>	4 000			
Typ gaźnika	typ	WALBRO WYL			
System zapłonu	typ	Zapłon bezrozdzielaczowy			
Świeca zapłonowa	typ	NGK CMR6A			
Przerwa międzyelektrodowa	mm	0,7 - 0,8			
Wibracje wg EN ISO 10517	Uchwyt prawy	$a_{nv\ eq}$ m/s <sup>2</sup>	2,5	2,7	2,3
		Niepełność K m/s <sup>2</sup>	1,3	1,1	1,6
	Uchwyt lewy	$a_{nv\ eq}$ m/s <sup>2</sup>	2,5	2,8	2,3
		Niepełność K m/s <sup>2</sup>	1,3	1,1	1,2
Poziom hałasu wg EN ISO 10517	Poziom ciśnienia akustycznego	dB (A)	93,0	92,8	93,9
		Niepełność K dB (A)	1,4	2,2	1,2
	Poziom mocy akustycznej	dB (A)	103,0	103,2	103,8
		Niepełność K dB (A)	2,1	1,5	1,3
Proporcje mieszanki (paliwo: olej silnikowy)	Oryginalny olej do silników dwusuwowych DOLMAR	50 : 1			
	Olej innego producenta do silników dwusuwowych	25 : 1			
Przełożenie przekładni		9 : 43			

## OPIS CZĘŚCI



	OPIS CZĘŚCI		OPIS CZĘŚCI		OPIS CZĘŚCI
1	Nóż	7	Gaźnik (niewidoczny)	13	Dźwignia zwalnająca
2	Miecz	8	Przełącznik I-O (WŁ./WYŁ.)	14	Tłumik
3	Uchwyt przedni	9	Świeca zapłonowa	15	Pompka zastrzykowa
4	Rozrusznik rewersyjny	10	Dźwignia blokująca	16	Zbiornik paliwa
5	Korek wlewu paliwa	11	Dźwignia przepustnicy	17	Ośłona noża
6	Dźwignia ssania	12	Uchwyt tylny		

## Mieszanka paliwa i oleju

- W spalinowych nożycach do żywopłotu zastosowano bardzo wydajny silnik dwusuwowy.  
Silnik jest napędzany mieszanką paliwa i oleju do silników dwusuwowych. Silnik jest przeznaczony do pracy ze zwykłą benzyną bezołowiową o liczbie oktanowej min. 91 ROZ.  
W razie braku takiego paliwa można użyć paliwa o wyższej liczbie oktanowej. Nie uszkodzi to silnika, ale może obniżyć parametry pracy.  
Podobna sytuacja wystąpi w przypadku użycia benzyny ołowiowej.  
Aby uzyskać optymalną pracę silnika, a także chronić zdrowie i środowisko naturalne, należy używać tylko benzyny bezołowiowej!
- Do smarowania silnika używać oleju przeznaczonego do silników dwusuwowych (klasa jakości: TSC-3), który jest dodawany do paliwa.  
Silnik jest przeznaczony do pracy z olejem DOLMAR do silników dwusuwowych tylko przy składzie mieszanki 50:1, aby chronić środowisko naturalne. Ponadto gwarantuje to długi okres eksploatacji i niezawodną pracę przy minimalnej emisji spalin. Należy bezwzględnie przestrzegać składu mieszanki 50:1 (olej DOLMAR do silników dwusuwowych). W przeciwnym razie nie można zagwarantować niezawodnej pracy spalinowych nożyc do żywopłotu.
- Prawidłowy skład mieszanki:  
Benzyna: Zalecany olej do silników dwusuwowych = 50 : 1 lub  
Benzyna: Olej innego producenta do silników dwusuwowych = 25 : 1 zalecany

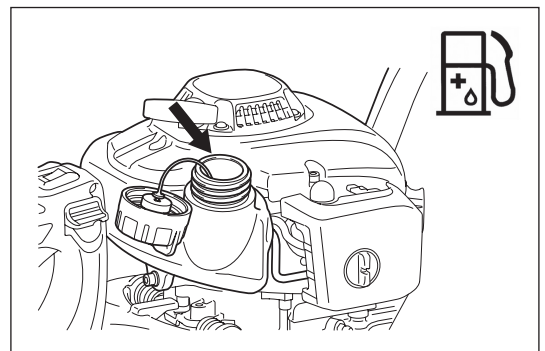
**UWAGA:** Aby przygotować mieszankę paliwa i oleju, najpierw należy wymieszać całą ilość oleju z połową wymaganego paliwa w odpowiednim pojemniku spełniającym wymagania wszystkich przepisów lokalnych. Następnie należy dodać pozostałą ilość paliwa.  
Dokładnie wstrząsnąć mieszankę przed waniem do zbiornika spalinowych nożyc do żywopłotu.  
Nie zaleca się dodawania większej ilości oleju, niż określono w proporcji. Spowoduje to jedynie powstanie większej ilości pozostałości spalania, które zanieczyszczą środowisko naturalne i zapchają kanał wydechowy w cylindrach, a także tłumik. Wzrośnie również zużycie paliwa i spadnie moc narzędzia.

## Postępowanie z produktami ropopochodnymi

Zachować maksymalną ostrożność w postępowaniu z paliwami. Paliwa mogą zawierać substancje podobne do rozpuszczalników. Paliwo uzupełniać w miejscu o dobrej wentylacji lub na zewnątrz. Nie wdychać oparów paliwa, chronić skórę przed kontaktem z paliwem lub olejem.  
W przypadku powtarzającego się kontaktu skóry z tymi produktami przez dłuższy okres czasu skóra ulega wysuszeniu.  
Może to prowadzić do różnych chorób skóry. Mogą także wystąpić reakcje alergiczne.  
Kontakt z olejem, paliwem itp., może spowodować podrażnienie oczu.  
Jeśli olej, paliwo lub podobna substancja dostanie się do oczu, należy natychmiast przemyć oczy czystą wodą.  
Jeżeli oczy są nadal podrażnione, natychmiast zasięgnąć porady lekarskiej!



Przestrzegać zasad bezpieczeństwa podanych na stronie 33.



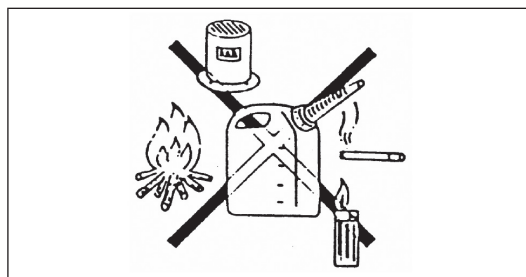
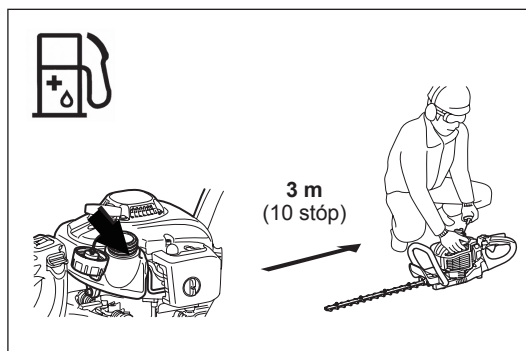
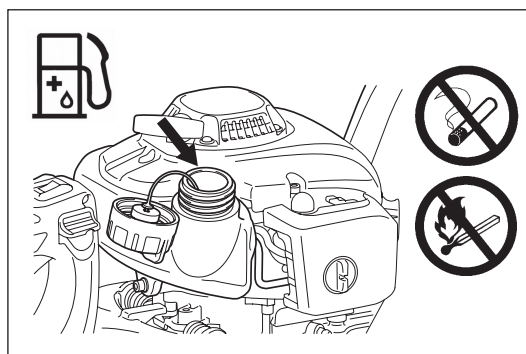
Benzyna		Olej
	+	
	50:1	25:1
1 000 cm <sup>3</sup> (1 litrów)		20 cm <sup>3</sup> 40 cm <sup>3</sup>
5 000 cm <sup>3</sup> (5 litrów)		100 cm <sup>3</sup> 200 cm <sup>3</sup>
10 000 cm <sup>3</sup> (10 litrów)		200 cm <sup>3</sup> 400 cm <sup>3</sup>

## Uzupełnianie paliwa

- Silnik musi być wyłączony.
- Przed uzupełnieniem paliwa należy wyłączyć silnik, nie zbliżać się do ognia i nie palić tytoniu.
- Aby zapobiec skażeniu gleby, nie dopuszczać do rozlania paliwa lub oleju. W przypadku rozlania paliwa natychmiast wyczyścić spalinowe nożyce do żywopłotu.
- Nie rozlewać paliwa na silnik. Jeśli paliwo zostanie rozlane, należy je wytrzeć.
- Unikać kontaktu paliwa z odzieżą. W przypadku zanieczyszczenia odzieży paliwem należy natychmiast zmienić odzież (aby zapobiec zapaleniu się odzieży).
- Regularnie sprawdzać korek wlewu paliwa i upewnić się, że można go dokładnie dokręcić i że jest całkowicie szczelny.
- Starannie dokręcić korek wlewu paliwa. Przed uruchomieniem silnika przenieść urządzenie w inne miejsce (min. 3 metry od miejsca, w którym uzupełniono paliwo).
- Nigdy nie uzupełniać paliwa w pomieszczeniach zamkniętych. Opary paliwa gromadzą się na poziomie podłoża. (Ryzyko wybuchu.)
- Paliwo można transportować i przechowywać tylko w atestowanych kanistrach. Upewnić się, że paliwo jest przechowywane w miejscu niedostępnym dla dzieci.
- Dokładnie wyczyścić miejsce wokół korka wlewu paliwa, aby zapobiec dostaniu się zanieczyszczeń do zbiornika.
- Odkręcić korek i napełnić zbiornik paliwem. Użyć lejka z sitkiem, aby przefiltrować paliwo.
- Mocno dokręcić korek ręką.
- Po zakończeniu uzupełniania paliwa wyczyścić miejsce wokół korka wlewu paliwa i zbiornik.
- Zawsze wycierać rozlane paliwo, aby uniknąć pożaru.

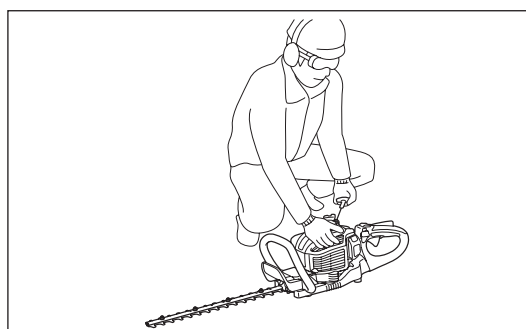
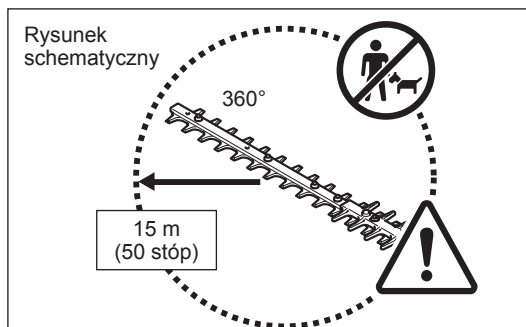
## Przechowywanie paliwa

- Paliwo nie można przechowywać przez nieograniczony okres czasu.
- Należy kupować je tylko w takiej ilości, jaka jest potrzebna na 4 tygodnie pracy.
- Paliwo można przechowywać tylko w atestowanych kanistrach.



## ŚRODKI OSTROŻNOŚCI PRZED URUCHOMIENIEM

- Upewnić się, że w promieniu 15 metrów od miejsca pracy nie przebywają żadne dzieci lub inne osoby. Należy również zwrócić uwagę, czy w pobliżu miejsca pracy nie ma żadnych zwierząt.
- Przed użyciem zawsze należy sprawdzić, czy spalinowe nożyce do żywopłotu można uruchomić w sposób bezpieczny: sprawdzić, czy nóż nie jest uszkodzony, czy dźwignia sterownicza lekko się porusza i czy przełącznik I-O działa prawidłowo. Gdy silnik jest na biegu jałowym, nóż musi być wyłączony. W razie wątpliwości zwrócić się do sprzedawcy w celu wyregulowania narzędzia. Sprawdzić, czy uchwyty są czyste i suche oraz przetestować działanie przełącznika I-O.
- Spalinowe nożyce do żywopłotu należy uruchamiać tylko zgodnie z instrukcją obsługi. Nie stosować żadnej innej metody w celu uruchomienia silnika. (Patrz Uruchamianie)
- Silnik spalinowych nożyc do żywopłotu uruchomić dopiero po zakończeniu montażu całego urządzenia. Uruchomienie silnika jest dozwolone dopiero po zamontowaniu wszystkich wymaganych akcesoriów. W przeciwnym razie istnieje ryzyko obrażeń ciała.
- Przed uruchomieniem należy upewnić się, że nóż nie dotyka żadnych przedmiotów, takich jak gałęzie, kamienie itp.
- Przed cięciem należy sprawdzić, czy w miejscu pracy nie ma drutów, przewodów, szkła lub innych ciał obcych, które mogłyby wejść w kontakt z nożem.
- Porażenie prądem. Uważać na ewentualne przewody elektryczne i ogrodzenia elektryczne. Przed cięciem należy sprawdzić, czy w miejscu pracy nie ma przewodów elektrycznych.



## URUCHAMIANIE NARZĘDZIA

Przenieść urządzenie co najmniej 3 metry od miejsca, w którym uzupełniono paliwo. Spalinowe nożyce do żywopłotu umieścić na czystym podłożu. Uważać, aby nóż nie dotykał ziemi ani żadnych innych przedmiotów.

**Rozruch zimnego silnika:** (Kiedy silnik jest zimny lub został wyłączony na ponad 5 minut, lub kiedy dodano do niego paliwo.)

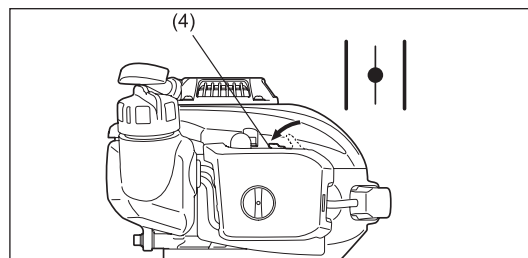
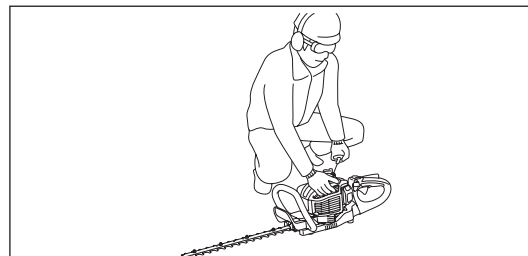
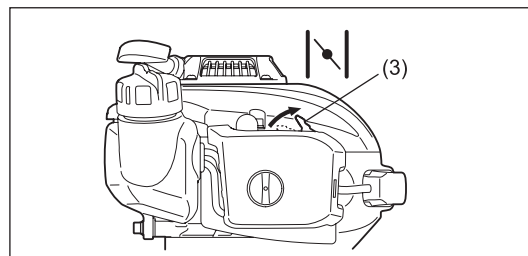
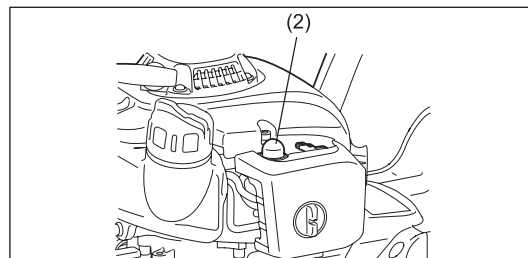
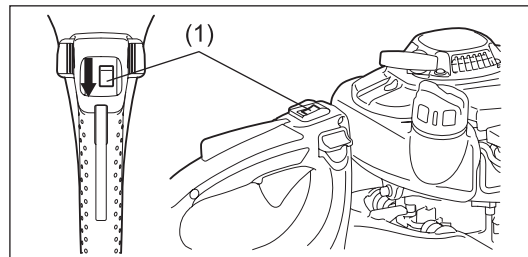
1. Ustawić przełącznik I-O (1) w położenie „I”.
2. Lekko nacisnąć pompkę zastrzykową (2) (7 do 10 razy), aż dotrze do niej paliwo.
3. Ustawić dźwignię ssania (3) w pozycji „|↘|”.
4. Mocno docisnąć narzędzie, aby nie stracić kontroli nad narzędziem podczas rozruchu silnika. Niestosowanie się do tej zasady może spowodować obrażenia i/ lub straty materialne na skutek upadku lub kontaktu z nożem.
5. Powoli pociągnąć za uchwyt rozrusznika do 10-15 cm, do wyczucia oporu.
6. Po wyczuciu oporu mocno pociągnąć za uchwyt, aby uruchomić silnik.
7. Po uruchomieniu lub zaskoczeniu i zgaśnięciu silnika, przestawić dźwignię ssania (4) na pozycję „|↑|”.
8. Zostawić silnik uruchomiony przez około jedną minutę na średnich obrotach, aby podgrzać go przed przejściem na pełne obroty.

**Uwaga:**

- Kilukrotne pociągnięcie za uchwyt rozrusznika, kiedy dźwignia ssania pozostaje w pozycji „|↘|” spowoduje trudności z uruchomieniem silnika w wyniku zassania nadmiernej ilości paliwa.
- W przypadku nadmiernego zassania paliwa należy wyjąć świecę zapłonową i pociągnąć powoli uchwyt rozrusznika, aby usunąć nadmiar paliwa. Osuszyć również odcinek elektrody na świecy zapłonowej.

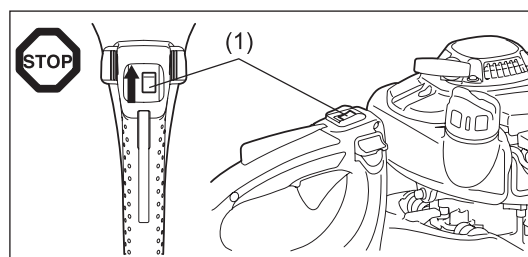
**Rozruch ciepłego silnika:** (Ponowne uruchomienie zaraz po wyłączeniu silnika)  
Przy rozruchu ciepłego silnika należy postępować zgodnie z powyższą procedurą: Kroki 1, 2, 4, 5, 6 - dźwignia ssania pozostaje (4) w pozycji „|↑|”. Jeśli silnik nie uruchomi się, powtórzyć powyższe punkty 1-8.

**Uwaga:** Nie wyciągać linki rozrusznika do końca. Nie wypuszczać uchwytu rozrusznika w niekontrolowany sposób. Uchwyt należy cofać powoli.



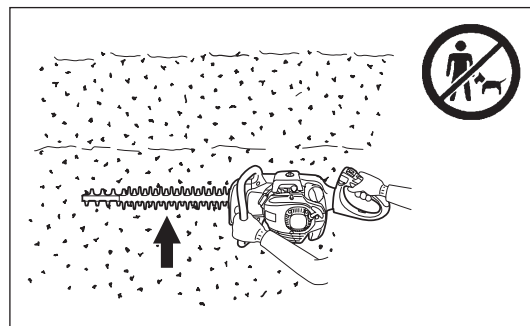
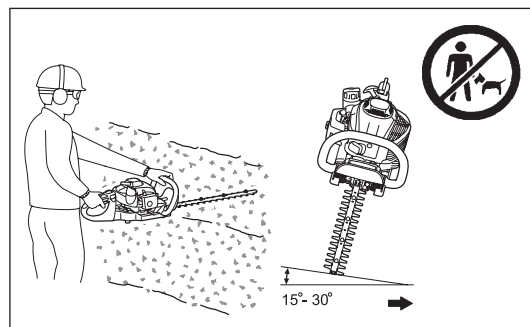
## WYŁĄCZANIE NARZĘDZIA

1. Całkowicie zwolnić dźwignię przepustnicy.
2. Ustawić przełącznik I-O (1) w położenie „O”. Silnik przejdzie na niższe obroty, następnie się wyłączy.



## OBŚLUGA NARZĘDZIA

- W czasie pracy ze spalinowymi nożycami do żywopłotu rękojeść nie może pozostawać luźna.
- Nie dotykać noża podczas uruchamiania silnika i pracy.
- Spalinowe nożyce do żywopłotu należy obsługiwać w taki sposób, aby unikać wdychania spalin. Nigdy nie uruchamiać silnika w pomieszczeniu zamkniętym (ryzyko zatrucia gazem). Tlenek węgla jest bezwonnym gazem.
- Wszystkie zabezpieczenia i osłony dostarczone z narzędziem muszą być używane podczas pracy.
- Nie używać urządzenia z uszkodzonym lub zdjętym tłumikiem.
- Spalinowe nożyce do żywopłotu należy używać tylko przy dobrym oświetleniu i widoczności.
- Zimą należy uważać na śliskim lub mokrym terenie, a także na lodzie i śniegu. (Ryzyko poślizgnięcia.) Zawsze należy pamiętać o zachowaniu prawidłowej postawy i równowagi.
- Nie używać spalinowych nożyc do żywopłotu, stojąc na drabinie. Obie nogi powinny znajdować się na gruncie.
- Nie wspinąć się na drzewa w celu cięcia za pomocą spalinowych nożyc do żywopłotu.
- Nie pracować na niestabilnym podłożu.
- Usunąć z miejsca pracy piasek, kamienie, gwoździe, druty itp. Ciała obce mogą uszkodzić noże.
- Przed przystąpieniem do cięcia należy sekatorem odciąć gałęzie o grubości 8 mm lub grubsze.
- Przed rozpoczęciem cięcia, noże muszą osiągnąć pełną prędkość roboczą.
- Spalinowe nożyce do żywopłotu należy mocno trzymać obiema rękami połączonymi na uchwytach.
- Trzymać mocno uchwyty, obejmując je kciukami i palcami.
- Po zwolnieniu przepustnicy noże jeszcze przez chwilę obracają się.
- Nie używać spalinowych nożyc do żywopłotu do cięcia na wysokich obrotach biegu jałowego. Jeśli obroty biegu jałowego są zbyt wysokie, nie można regulować prędkości cięcia dźwignią przepustnicy.
- Przycinając żywopłot, należy tak trzymać narzędzie, aby noże znajdowały się pod kątem 15-30° do linii cięcia.
- Należy zachować szczególną uwagę podczas przycinania żywopłotów rosnących wzdłuż siatki ogrodzeniowej, które wrosły w ogrodzenie.
- Nóż nie może dotknąć twardych przedmiotów, jak siatka ogrodzeniowa, kamienie lub grunt. Może to spowodować uszkodzenie noży, odłamanie lub pęknięcie.
- W razie uderzenia nożami o kamień lub inny twardy przedmiot należy natychmiast wyłączyć silnik i sprawdzić noże pod kątem ewentualnych uszkodzeń. Wymienić uszkodzone noże przed wznowieniem pracy.
- Okresowo wykonywać przerwy w pracy. Specjaliści z firmy DOLMAR zalecają, aby co 50 minut pracy wykonać przerwę 10 do 20 minut.
- W razie jakichkolwiek problemów z silnikiem należy natychmiast go wyłączyć.
- Spalinowe nożyce do żywopłotu należy używać tak, aby powodować możliwie jak najmniejszy hałas i zanieczyszczenie. W szczególności należy sprawdzić prawidłowe ustawienie gaźnika i skład mieszanki paliwa i oleju.
- Nie wyjmować zablokowanego materiału z uruchomionego narzędzia. Narzędzie należy odłożyć, wyłączyć i usunąć materiał.

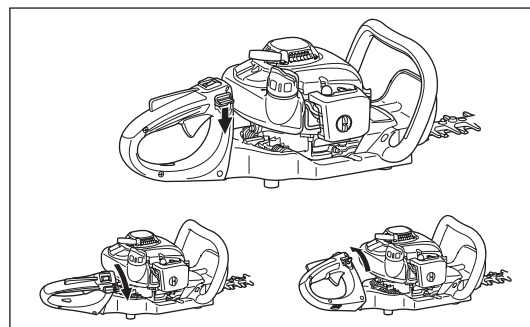


## REGULACJA KĄTA UCHWYTU TYLNEGO

Tyłny uchwyt można obrócić pod kątem 90° w prawo lub w lewo i ustawić co 45°. Aby zmienić kąt należy:

1. Nacisnąć dźwignię zwalnającą, aby zwolnić blokadę.
2. Obrócić uchwyt pod kątem 0°, 45° lub 90°.
3. Sprawdzić, czy dźwignia zwalnająca powraca do początkowego położenia, załączając blokadę.

Nie ciągnąć dźwigni przepustnicy przy zwolnionej blokadzie.  
Nie zwalniać blokady w czasie pracy.





## INSTRUKCJA KONSERWACJI

- Przed przystąpieniem do czyszczenia/wymiany/ostrzenia noża, a także przed obsługą konserwacyjną, należy wyłączyć silnik i wyjąć z niego łącznik świecy zapłonowej.
- Nie prostować ani nie spawać uszkodzonego noża.
- Często sprawdzać noże pod kątem uszkodzeń przy wyłączonym silniku.
- Nóż powinien być zawsze naostrzony.
- Regularnie czyścić spalinowe nożyce do żywopłotu i sprawdzać, czy wszystkie śruby i nakrętki są prawidłowo dokręcone.
- Nie pracować spalinowymi nożycami do żywopłotu w pobliżu otwartego ognia, aby uniknąć pożaru.
- Zawsze nosić rękawice skórzane podczas przenoszenia lub ostrzenia noży, aby uniknąć skaleczeń.

### Ostrzenie noży

Jeśli krawędzie są zaokrąglone i nie tną zbyt dobrze, należy zeszlifować tylko fragmenty zacięzione na rysunku. Nie szlifować powierzchni stycznych (przesuwnych) górnej i dolnej krawędzi.

- Przed ostrzeniem należy unieruchomić nóż, wyłączyć silnik i zdjąć nasadkę ze świecy zapłonowej.
- Założyć rękawice, okulary ochronne itp.
- Nie zdejmować zbyt wiele materiału. Powoduje to utratę warstwy utwardzonej, a w konsekwencji do zbyt szybkiego zaokrąglania i stępienia krawędzi noża.

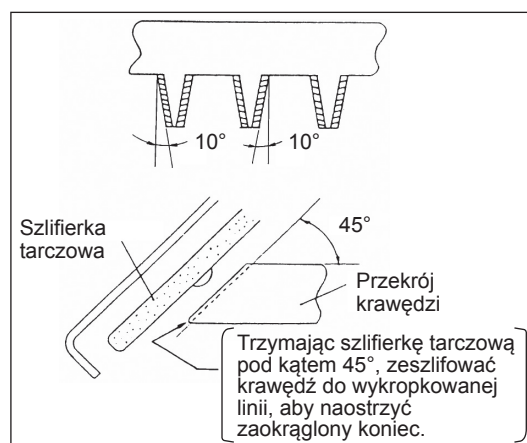
### Regulacja odstępu między nożami

Zużycie górnego/dolnego ostrza. Jeśli cięcie nie jest już tak dobre, jak w przypadku nowych noży, należy wyregulować odstęp między nożami w następujący sposób.

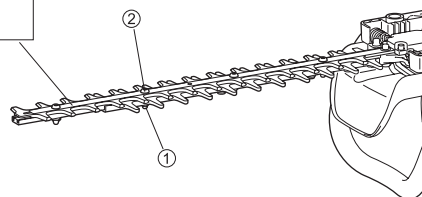
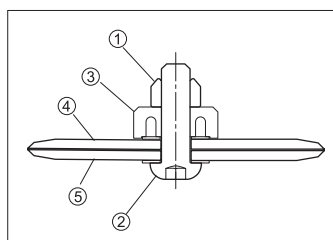
1. Odkręcić śruby i zdjąć miecz.
2. Odkręcić nakrętkę (1) za pomocą klucza oczkowego lub klucza płaskiego.
3. Za pomocą klucza sześciokątnego lekko dokręcić śrubę grzybkową (2) do oporu, następnie odkręcić o jedną czwartą obrotu.
4. Dokręcić nakrętkę (1), przytrzymując śrubę grzybkową (2).
5. Na trące powierzchnie noży nałożyć cienką warstwę oleju.
6. Uruchomić silnik i przez minutę na przemian otwierać i zamykać przepustnicę.
7. Zmierzyć czas potrzebny ostrzom do zatrzymania się po zwolnieniu przepustnicy. Jeśli czas wynosi dwie sekundy lub jest dłuższy, należy powtórzyć kroki od 2 do 7.
8. Wyłączyć silnik i dotknąć powierzchni noży. Jeśli powierzchnie noży nie są zbyt gorące, regulację wykonano prawidłowo. Jeśli powierzchnie noży są zbyt gorące, należy poluzować śrubę grzybkową (2) i powtórzyć kroki od 6 do 8.
9. Zamontować miecz, dokręcając śruby.

**UWAGA:** Przed dokonaniem regulacji należy wyłączyć silnik i poczekać na zatrzymanie ostrzy.

Na nożach wokół śruby (2) znajdują się nacięcia. Jeśli nagromadzi się w nich pył, należy go usunąć.



- ① Nakrętka
- ② Śruba grzybkowa
- ③ Prowadnica noża
- ④ Górny nóż
- ⑤ Dolny nóż



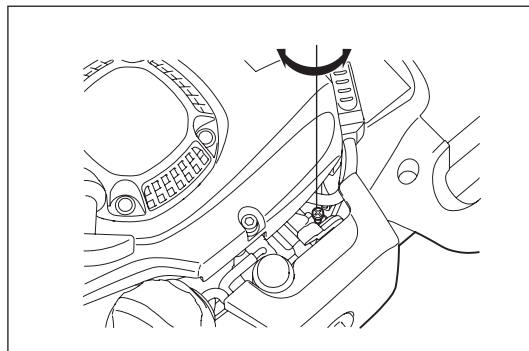
## Kontrola i regulacja obrotów na biegu jałowym

Ostrza tnące nie powinny pracować, kiedy silnik znajduje się na biegu jałowym.

- Obroty na biegu jałowym należy ustawić na  $3\ 000\ \text{min}^{-1}$  (obr./min).
- W razie potrzeby należy dokonać regulacji śruby obrotów jałowych (ostrza tnące nie powinny pracować, kiedy silnik znajduje się na biegu jałowym).
  - Ostrza tnące pracują, kiedy silnik jest na biegu jałowym - śrubę obrotów jałowych przekręcić w lewo, aby zmniejszyć obroty na biegu jałowym.
  - Silnik wyłącza się na biegu jałowym - śrubę obrotów jałowych przekręcić w prawo, aby zwiększyć obroty na biegu jałowym.

Jeśli po przeprowadzeniu regulacji ostrza tnące nadal pracują na biegu jałowym, skonsultować się z najbliższym autoryzowanym serwisem.

- Sprzęgło powinno włączać się przy obrotach co najmniej  $3\ 750\ \text{min}^{-1}$  (obr./min) lub wyższych.
- Sprawdzić działanie przełącznika I-O, dźwigni blokującej i dźwigni przepustnicy.



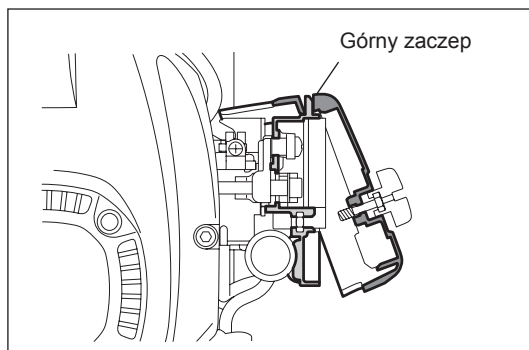
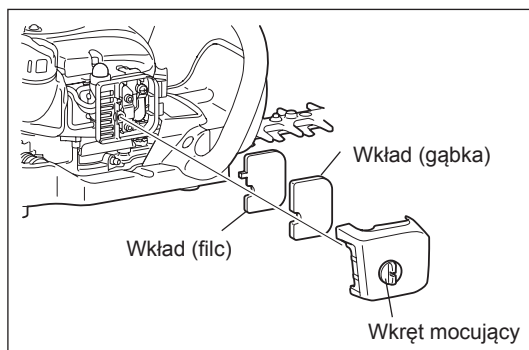
## Czyszczenie filtra powietrza



### NIEBEZPIECZEŃSTWO: Substancje łatwopalne surowo wzbronione

Filtr powietrza należy sprawdzać i czyścić codziennie lub po każdych 10 godzinach pracy.

- Obrócić dźwignię ssania w położenie całkowicie zamknięte i zabezpieczyć gaźnik przed kurzem i zabrudzeniami.
- Poluzować śrubę mocującą.
- Pociągnąć za tylną część pokrywy filtra powietrza i przesunąć do przodu, aby ją odczepić.
- Jeśli do wkładu (gąbki) przylega olej, należy ją mocno odcisnąć.
- W razie dużego zabrudzenia:
  - 1) Wyjąć wkład (gąbkę), zanurzyć w ciepłej wodzie lub roztworze neutralnego detergentu i całkowicie wysuszyć.
  - 2) Wyczyścić wkład (filc) benzyną i całkowicie osuszyć.
- Przed włożeniem wkładu upewnić się, że jest całkowicie suchy. Niedostateczne wysuszenie wkładu może utrudniać rozruch.
- Za pomocą tkaniny wytrzeć olej wokół filtra powietrza.
- Natychmiast po zakończeniu czyszczenia założyć pokrywę filtra i przykręcić ją śrubami mocującymi. (Podczas ponownego montażu najpierw założyć górny zaczep.)



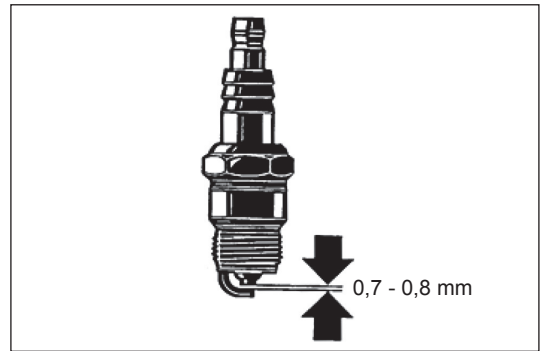
### Konserwacja wkładu filtra powietrza

- W razie nadmiernego zapylenia wkład należy czyścić kilka razy dziennie.
- Kontynuacja pracy z wkładem zabrudzonym olejem może spowodować wydostanie się oleju z filtra powietrza na zewnątrz i zanieczyszczenie.

## Kontrola świecy zapłonowej

Świecę zapłonową należy sprawdzać i czyścić codziennie lub po każdych 8 godzinach pracy.

- Do montażu i demontażu świecy zapłonowej należy używać tylko dostarczonego klucza uniwersalnego.
- Szczelina między dwiema elektrodami świecy zapłonowej powinna wynosić 0,7 do 0,8 mm. Jeśli szczelina jest zbyt szeroka lub zbyt wąska, należy ją wyregulować. Jeśli świeca zapłonowa jest pokryta nagarem lub zużyta, należy ją dokładnie oczyścić lub wymienić. Użyć dokładnie określonego zamiennika.



## Smarowanie

- Smarowniczkę należy uzupełniać do 50 godzin pracy. (Shell Alvania nr 3 lub zamiennik)

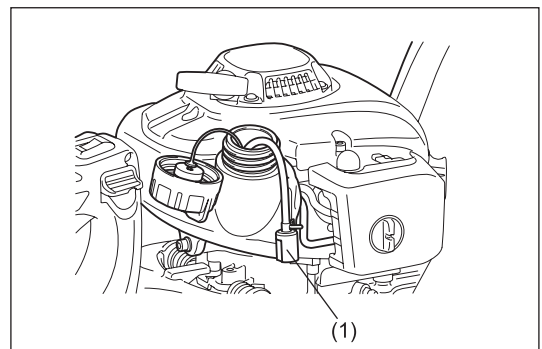
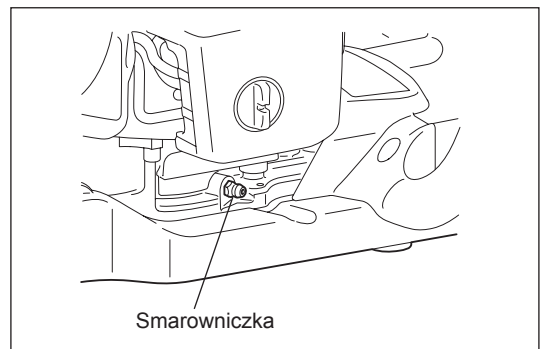
**UWAGA:** Należy przestrzegać podanego czasu i ilości smarowania. Brak odpowiedniego smarowania spowoduje uszkodzenie urządzenia.

## Czyszczenie filtra paliwa (głowica ssąca w zbiorniku paliwa)

### **OSTRZEŻENIE: Substancje łatwopalne surowo wzbronione**

Filtr paliwa należy sprawdzać i czyścić co miesiąc lub po każdych 50 godzinach pracy.

- Filtr filcowy (1) głowicy ssącej służy do filtrowania paliwa płynącego do gaźnika.
- Należy regularnie przeprowadzać kontrolę wzrokową filtra filcowego.
- W tym celu należy odkręcić korek wlewu paliwa, użyć drucianego haka i wyciągnąć przez otwór głowicę ssącą. W przypadku stwardnienia, zanieczyszczenia lub zatkania filtra należy go wymienić.
- Filtr filcowy należy wymieniać przynajmniej raz na kwartał, aby zapewnić dostateczny dopływ paliwa do gaźnika. W przeciwnym razie niedostateczny dopływ paliwa może spowodować przekroczenie maksymalnej dopuszczalnej prędkości.



## Wymiana przewodu paliwowego

### **UWAGA: Substancje łatwopalne surowo wzbronione**

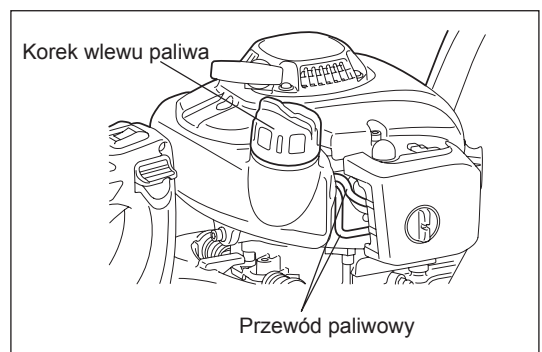
Przewód paliwowy należy sprawdzać i czyścić codziennie lub po każdych 10 godzinach pracy.

Przewód paliwowy należy wymieniać co 200 godzin pracy lub raz w roku niezależnie od częstotliwości użytkowania narzędzia. Wyciek paliwa może spowodować pożar.

W razie wykrycia wycieku podczas kontroli natychmiast wymienić przewód olejowy.

## Wymiana korka wlewu paliwa

- W razie pęknięcia lub uszkodzenia korka wlewu paliwa należy go wymienić.
- Korek wlewu jest częścią ulegającą zużyciu. Należy go wymieniać co dwa-trzy lata.



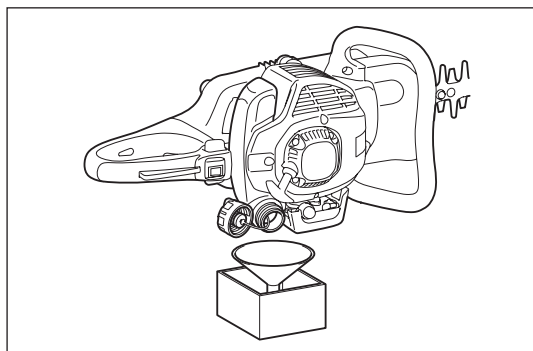
Wszelkie prace konserwacyjne i regulacyjne niewymienione w niniejszej instrukcji obsługi mogą być wykonywane wyłącznie przez autoryzowany serwis.

## Codzienna kontrola i konserwacja

Aby zapewnić długą żywotność narzędzia i zapobiec jego uszkodzeniu, należy regularnie wykonywać wymienione poniżej czynności.

- Przed użyciem;
  - Sprawdzić urządzenie pod kątem obluźnianych śrub lub brakujących części. Zwracać szczególną uwagę na dokręcenie śrub noża.
  - Sprawdzić przewód powietrza chłodzącego pod kątem zatkania oraz stan żeberek cylindra. W razie potrzeby wyczyścić je.
  - Wyczyścić zbiornik paliwa i sprawdzić go pod kątem wycieków paliwa i obecności ciał obcych.
- Po użyciu;
  - Wyczyścić spalinowe nożyce do żywopłotu z zewnątrz i sprawdzić pod kątem uszkodzeń.
  - Oczyścić filtr powietrza. Podczas pracy w warunkach dużego zapylenia należy czyścić filtr kilka razy dziennie.
  - Sprawdzić noże pod kątem uszkodzeń i czy są solidnie zamocowane.

## PRZECHOWYWANIE



- Przed przechowaniem narzędzia przez dłuższy czas, należy spuścić paliwo ze zbiornika i gaźnika w następujący sposób: spuścić całe paliwo ze zbiornika paliwa.
- Wyjąć świecę zapłonową i wpuścić kilka kropel oleju silnikowego w jej otwór. Następnie pociągnąć lekko za rozrusznik, aby wnętrze silnika pokryło się cienką warstwą oleju, po czym wkręcić świecę zapłonową.
- Usunąć wszystkie zabrudzenia i pył z noża i obudowy silnika, przetrzeć je tkaniną zwilżoną olejem i przechować narzędzie w najbardziej suchym miejscu.

## HARMONOGRAM KONSERWACJI

Po każdym uzupełnieniu paliwa	Dźwignia przepustnicy Przełącznik I-O	Kontrola działania Kontrola działania
Przed każdym użyciem	Zespół silnika, śruby i nakrętki Filtr powietrza Przewód powietrza chłodzącego Nóż Obroty na biegu jałowym Zbiornik paliwa	Kontrola wzrokowa pod kątem uszkodzeń i dokręcenia Sprawdzić stan ogólny i bezpieczeństwo Wyczyścić Wyczyścić Sprawdzić pod kątem uszkodzeń i naostrzenia Kontrola (nóż nie może się poruszać) Sprawdzać i czyścić
Co 50 godzin	Przekładnia	Smarowanie
Co tydzień	Świeca zapłonowa	Kontrola, w razie potrzeby wymienić
Co roku	Przewód paliwowy	Wymienić
Co dwa lata	Korek wlewu paliwa	Wymienić
Przed dłuższym przechowywaniem	Zbiornik paliwa Gaźnik Głowica ssąca	Opróżnić i wyczyścić Uruchomić do czasu, aż silnik zużyje całe paliwo Wymienić

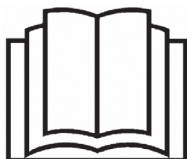
## WYSZUKIWANIE USTEREK

Usterka	System	Objaw	Przyczyna
Silnik nie uruchamia się lub uruchamia się z trudnością	System zapłonu	Jest iskra zapłonowa	Nieprawidłowe działanie układu paliwowego, systemu kompresji, usterka mechaniczna
		Brak iskry zapłonowej	Zadziałał przełącznik I-O, usterka okablowania lub zwarcie, wadliwa świeca zapłonowa lub łącznik, niesprawny moduł zapłonu
	Doprowadzanie paliwa	Zbiornik paliwa napełniony	Nieprawidłowe położenie ssania, wadliwy gaźnik, zabrudzona głowica ssąca (filtr przewodu paliwowego), zagięty lub przerwany przewód doprowadzający paliwo
	Sprężanie	Wewnątrz silnika	Wadliwa dolna uszczelka cylindra, uszkodzone uszczelki wału korbowego, uszkodzony cylinder lub pierścienie tłokowe
Poza silnikiem		Niewłaściwe uszczelnienie świecy zapłonowej	
Trudności podczas rozruchu ciepłego silnika	Usterka mechaniczna	Rozrusznik nie włącza się	Pęknięta sprężyna rozrusznika, uszkodzone części wewnątrz silnika
		Zbiornik napełniony, jest iskra zapłonowa	Zanieczyszczony gaźnik, zlecić jego wyczyszczenie
Silnik uruchamia się, ale natychmiast gaśnie	Doprowadzanie paliwa	Zbiornik napełniony	Nieprawidłowa regulacja obrotów na biegu jałowym, zabrudzona głowica ssąca lub gaźnik
			Wadliwe odpowietrzanie zbiornika paliwa, przerwany przewód doprowadzający paliwo, wadliwy kabel lub przełącznik I-O
Niewystarczająca moc	Może to być spowodowane przez równoczesną awarię kilku systemów	Silnik na biegu jałowym	Zabrudzony filtr powietrza, zanieczyszczony gaźnik, niedrożny tłumik, niedrożny kanał wylotowy cylindra

Köszönjük, hogy DOLMAR sövénynyírót választott. Örömmel ismertetjük a DOLMAR sövénynyíró, amely hosszú fejlesztési program és több év alatt összegyűlt tudás eredménye.

Az HT-2350D, HT-2360D és az HT-2375D sövénynyírók a legkorszerűbb technológia és az ergonomikus kialakítás előnyeit egyesítik. Könnyűek, kézre állók, kis méretűek, így alkalmazások széles körére kínálnak professzionális megoldást.

**Olvassa el, értse meg és kövesse a füzet útmutatásait, amelyek részletesen ismertetik azokat a pontokat, amelyek jól bizonyítják a készülék kiemelkedő teljesítményét. Mindezzel biztonságosan hozhatja ki a legtöbbet a DOLMAR sövénynyíróból.**



Tartalomjegyzék	Oldal
Szimbólumok.....	45
Biztonsági utasítások.....	46
Műszaki adatok.....	49
Alkatrészek megnevezése.....	50
Üzemanyag/tankolás.....	51
Beindítás előtti óvintézkedések.....	52
A gép beindítása.....	53
A gép leállítása.....	53
A gép használata.....	54
A hátsó fogantyú szögének beállítása.....	54
Karbantartási útmutató.....	55
Tárolás.....	58
Karbantartási ütemterv.....	58
Hibakeresés.....	58

## SZIMBÓLUMOK

Rendkívül fontos tudni, hogy mit jelentenek a kézikönyv alábbi szimbólumai.

	FIGYELEM/VESZÉLY		Üzemanyag-olaj keverék
	Olvassa el, értse meg és tartsa be Használati utasítás		Motor kézi indítása
	Tilos!		Vészleállítás
	Dohányozni tilos!		Elsősegély
	Nyílt láng használata tilos!		Újrafelhasználás
	Védőkesztyű viselése kötelező!		
	A működési területtől tartson távol minden embert és állatot!		BE/INDÍTÁS
	Sisak, szem- és hallásvédő eszköz viselendő!		KI/LEÁLLÍTÁS
			CE jelölés

## BIZTONSÁGI UTASÍTÁSOK

### Általános tudnivalók

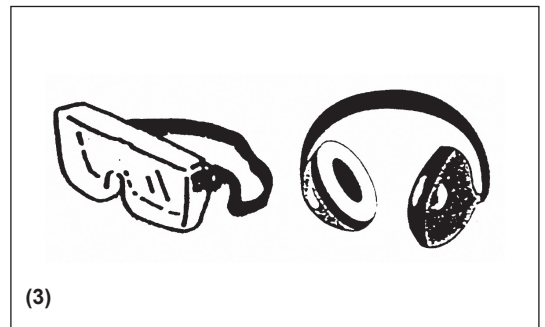
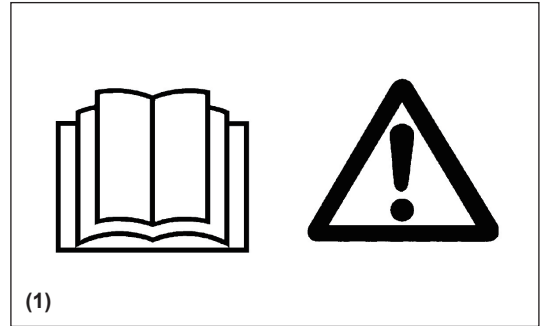
- A GÉP SÚLYOS SÉRÜLÉSEKET OKOZHAT. A gép megfelelő kezelése, előkészítése, karbantartása, beindítása és leállítása érdekében olvassa el figyelmesen az utasításokat. Sajátítsa el a gép helyes használatát és a kezelőszervek működtetését. (1)
- A sövénynyíró csak olyan személynek adja kölcsön, aki bizonyítottan tapasztalt az ilyen berendezések használatában. A géppel együtt mindig adja át a használati utasítást is.
- A kezdő felhasználónak először a márkakereskedőt kell megkérnie, hogy ismertesse a motoros sövénynyíró kezelésének alapvető tudnivalóit.
- Gyermekes és 18 év alatti fiatalok nem használhatják a sövénynyíró. 16 év feletti személyek szakképzett oktató felügyelete mellett tanulhatják meg a készülék kezelését.
- A sövénynyíróval végzett munka különleges figyelmet igényel.
- Kizárólag jó fizikai állapotban lévő személyek használhatják a gépet. Minden munkát nyugodtan és elővigyázatosan végezzen. A gép használója másokkal szemben is felelősséggel tartozik.
- Ne használja a sövénynyíró alkoholt vagy más tudatmódosító szer hatása alatt, illetve ha betegnek vagy fáradtnak érzi magát. (2)

### A gép rendeltetésszerű használata

- A sövénynyíró kizárólag bokrok és sövények nyírására szolgál, egyéb célokra használni tilos. A sövénynyíró ne használja rendeltetésétől eltérő módon.

### Személyi védőeszközök

- Ruházata legyen megfelelő és funkcionális, azaz testhezálló, de ne gátolja a munkában. Ne viseljen ékszert vagy laza ruhadarabot, ezek ugyanis beakadhatnak a sövénybe vagy a gépbe.
- Az alábbi védőeszközökkel és védőruházattal tudja megelőzni a szem-, kéz- és lábsérüléseket, valamint a halláskárosodást.
- A szemsérülések elkerülésére használat közben mindig viseljen védőszemüveget vagy arcvédőt. (3)
- A halláskárosodás elkerülésére használjon arra alkalmas hallásvédő eszközt, például fülvédő, fül dugót stb. (3)
- Javasoljuk, hogy a kezelő viseljen egyrészes munkaruhát. (4)
- A vastag bőrből készült védőkesztyű az előírt védőfelszerelés részét képezi, és a sövénynyíróval végzett munkák során mindig hordani kell. (4)
- A sövénynyíró használatakor mindig csúszásmentes, masszív cipőt viseljen. Ez biztos állást nyújt, és véd a sérülések ellen. (4)



## A sövénynyíró beindítása

- Ügyeljen arra, hogy 15 méteres munkakörzetben (5) ne legyenek gyerekek vagy más emberek, és figyeljen arra is, hogy állatok se legyenek a közelben.
- A munka megkezdése előtt mindig ellenőrizze a sövénynyíró biztonságos működését.
- Ellenőrizze a gázkar biztonságos működését. A gázadagoló ravasznak akadálymentesen és könnyen kell járnia. Ellenőrizze a gázadagoló ravasz reteszének működését. Ellenőrizze, hogy a fogantyúk tiszták és szárazak-e, és próbálja ki az I-O (be/ki) kapcsoló működését. A fogantyúkon ne legyen olaj- és üzemanyag.

A sövénynyírót mindig az utasításoknak megfelelően indítsa be.

### Ne használjon más módszert a motor beindítására (6)!

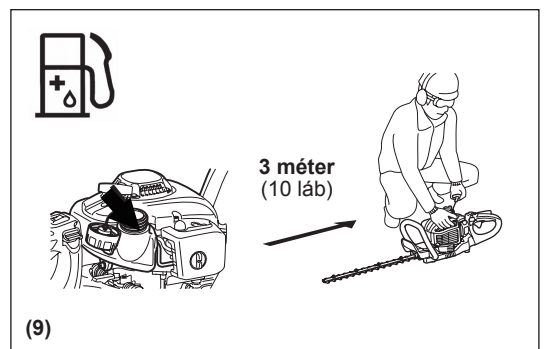
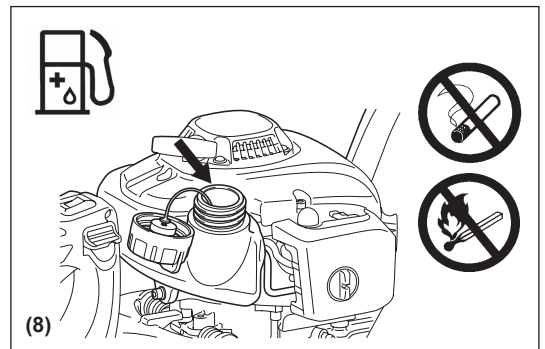
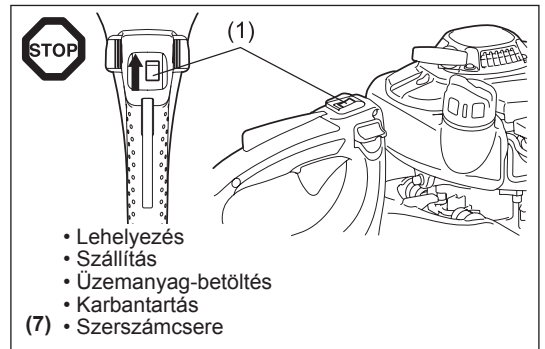
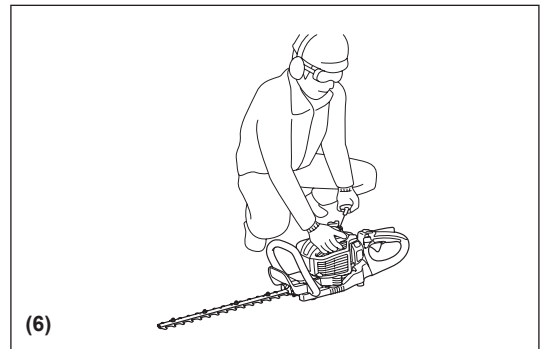
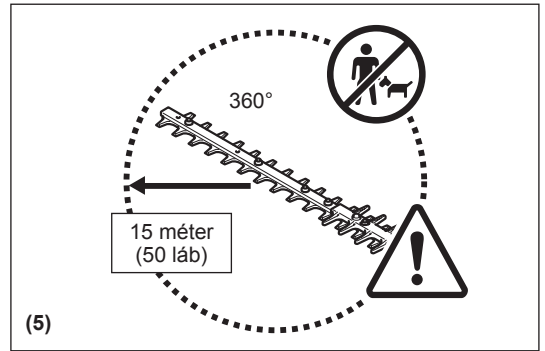
- A sövénynyírót csak a rendeltetés szerinti célokra használja.
- A sövénynyírót csak teljes összeállítását követően indítsa be. A sövénynyírót csak az összes tartozék felszerelése után szabad használni!
- A beindítás előtt ellenőrizze, hogy a vágókés nem ér hozzá semmihez, például ághoz, kőhöz stb.
- Azonnal állítsa le a motort, ha bármilyen probléma lép fel.
- Használat közben tartsa mind az első, mind pedig a hátsó markolatot szilárdan, ujjait a markolatok köré zárva. Tartsa a markolatokat tisztán, nedvességtől, gyantától, olajtól vagy zsírtól mentesen.

### Mindig biztosan, szilárdan és egyensúlyban álljon a talajon.

- A gépet csak szabadban használja.
- A gép használata közben vegye figyelembe, hogy zaja elnyomhatja a környező zajokat, ezért fokozottan figyeljen a lehetséges veszélyforrásokra.
- Használja úgy a sövénynyírót, hogy elkerülje a kipufogógázok belélegzését. Zárt helyen soha ne működtesse a motort (fulladás, gázmérgezés veszélye). A szén-monoxid szagtalan gáz. Mindig gondoskodjon a megfelelő szellőzésről.
- Ha munkaszünetet tart, vagy, ha a sövénynyírót felügyelet nélkül hagyja, mindig állítsa le a motort. A gépet tartsa mindig biztonságos helyen, hogy ne jelentsen veszélyt másokra, ne okozhasson tüzet, és a gép maga ne károsodhasson.
- A forró sövénynyírót soha ne tegye száraz fűre vagy bármilyen gyúlékony anyagra.
- A tűzveszély csökkentése érdekében tisztítsa meg a motort és a kipufogót a rárakódott szennyeződésektől, levelektől vagy kiszivárgott kenőanyagtól.
- Meghibásodott kipufogóval ne használja a motort.
- Szállításkor állítsa le a motort (7).
- Mindig állítsa le a motort
  - Eltömődés megszüntetése előtt;
  - A gép ellenőrzése, karbantartása vagy javítása előtt.
- Gépkocsiban vagy tehergépjárművön történő szállításkor úgy helyezze el a sövénynyírót, hogy ne folyhasson ki belőle üzemanyag.
- A sövénynyíró szállításakor az üzemanyag szivárgásának elkerülésére ürítse le teljesen az üzemanyagtartályt.
- A gép szállítása vagy tárolása során mindig szerelje fel a vágószerkezet védőburkolatát.

## Üzemanyag-betöltés

- Üzemanyag betöltésekor állítsa le a motort (7), kerülje a nyílt lángot (8), és ne dohányozzon.
- Ne töltsön üzemanyagot forró vagy járó motorba.
- Kerülje a kőolajtermékek bőrrel való érintkezését. Ne lélegezzen be az üzemanyag gőzét. Az üzemanyag-betöltés közben viseljen védőkesztyűt. Rendszeres időközönként cserélje és tisztítsa meg a védőruházatot.
- Ügyeljen arra, hogy a talajt ne szennyezze kifröccsenő olaj vagy üzemanyag (környezetvédelem). A kiömlött üzemanyagot azonnal tisztítsa le a sövénynyíróról. Az üzemanyag törléséhez használt ruhaanyagot jól szellőző helyen szárítsa meg, mielőtt kidobja. Ennek figyelmen kívül hagyása spontán gyulladáshoz vezethet.
- Kerülje az üzemanyag ruhájával való érintkezését. Cseréljen ruhát azonnal, ha üzemanyag kerül rá (tűzveszély kockázata).
- Ellenőrizze rendszeresen, hogy az üzemanyagcsap biztonságosan van-e rögzítve.
- Óvatosan húzza meg az üzemanyagtartály sapkáját. A motort máshol indítsa be (legalább 3 méteres távolságban az üzemanyag-betöltés helyétől) (9).
- Zárt helyiségekben soha ne tankoljon. Az üzemanyag gőzei a talaj közelében gyűlnek össze (robbanásveszély).
- Az üzemanyagot csak arra engedélyezett tartóban szállítsa és tárolja. Az üzemanyagot mindig gyerekektől elzárva tárolja.
- Benzin és kétütemű motorolaj keverésekor csak olyan benzint használjon, amely nem tartalmaz etanol vagy metanol (alkoholok). Ezzel megelőzhető az üzemanyag-vezetékek és más motoralkatrészek károsodása.



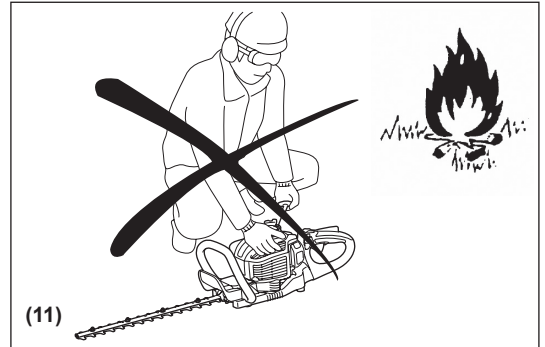
## A használat módja

- A gép üzemeltetése közben használja mindkét kezét és mindkét fogantyút.
- A sövénynyírót csak megfelelő fény- és látási viszonyok mellett használja. Télen figyeljen a csúszós vagy nedves területekre, a jégre és a hóra (csúszásveszély). Mindig biztosan álljon a talajon.
- Ne dolgozzon a géppel instabil vagy meredek terepen.
- Ne dolgozzon a sövénynyíróval létráról.
- Soha ne másszon fára a sövénynyíró használatához.
- A megbotlás és a gép feletti uralom elvesztése kockázatának csökkentésére a gép használatakor ne lépkedjen hátrafelé.
- Mindig állítsa le a gépet, mielőtt a gép tisztításába, szervizelésébe vagy alkatrészcserebe kezd.
- Ne működtesse a gépet sérült vagy nagyon kopott vágószerkezettel.



## Karbantartási útmutató

- Óvja a környezetet. A sövénynyírót a lehető legkisebb zajjal és legkevesebb szennyezéssel működtesse. Különösen figyeljen a porlasztó megfelelő beállítására.
- A sövénynyírót rendszeres időközönként tisztítsa meg, ellenőrizze a csavarok és anyák rögzítettségét.
- Nyílt láng, szikra stb. közelében ne végezzen karbantartást, és ne is tárolja a sövénynyírót ilyen környezetben. (11).
- Üritse ki az üzemanyagtartályt, mielőtt elraktározza a sövénynyírót.
- A tűz elkerülése érdekében nyílt láng, szikra stb. közelében ne tárolja a sövénynyírót.
- A sövénynyírót jól szellőző helyen, magasan vagy elzártan tárolja, hogy gyerekek ne férjenek hozzá.
- Ne kísérelje meg a gép javítását, csak abban az esetben, ha erre megfelelő képzést kapott.



**Ismerje meg és tartsa be a munkavédelmi hatóságok és a biztosítótársaságok által kiadott hatályos balesetvédelmi rendszabályokat. Ne végezzen semmilyen módosítást a sövénynyírón, mert az veszélyeztetheti a személyes biztonságát.**

A felhasználó csak azokat a karbantartási és javítási munkákat végezheti, amelyeket a használati útmutató is ismertet. Minden más műveletet a hivatalos szervizzel kell elvégeztetni.

Csak hivatalos DOLMAR márkaszervizből vagy gyári szervizközpontból származó eredeti pótalkatrészt vagy tartozékot használjon.

A nem engedélyezett tartozékok és szerszámok használata növeli a balesetveszélyt. A DOLMAR nem vállal felelősséget a nem jóváhagyott tartozékok használatából eredő balesetekért vagy károkért.

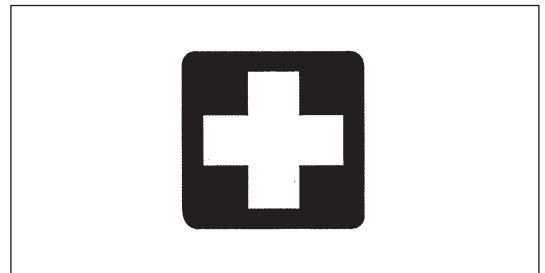
## Elsősegély

Mindig legyen a munkavégzés helyén a DIN 13164 szabvány szerinti elsősegélycsomag.

Az elsősegélydobozból kivett eszközöket azonnal pótolni kell.

**Ha segítséget kell hívni, adja meg az alábbi információkat:**

- A baleset helyszíne
- Mi történt?
- A sérült személyek száma
- A sérülés mértéke
- Az Ön neve



## Csomagolás

A DOLMAR sövénynyírót a szállítási sérülések ellen védelmet nyújtó kartondobozban szállítjuk. A kartondobozok újrafeldolgozható alapanyagokból készülnek, tehát újrahasználatos vagy újrafeldolgozható (használt papír újrafeldolgozása).





## EK MEGFELELŐSÉGI NYILATKOZAT

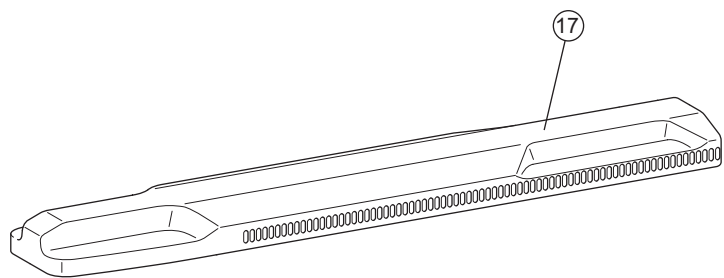
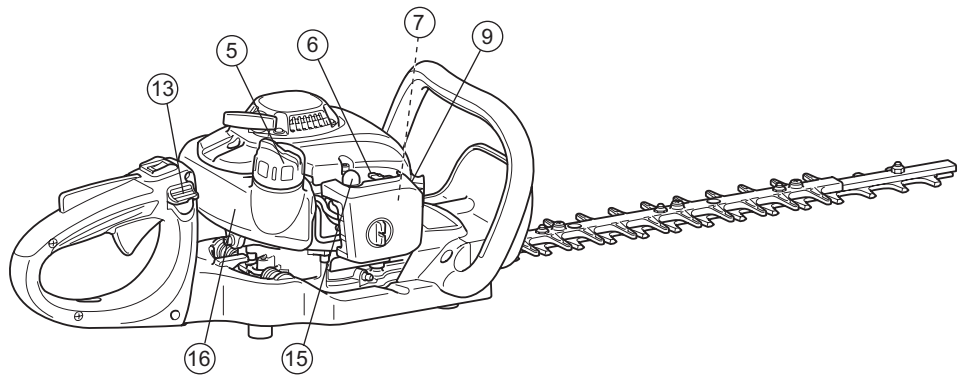
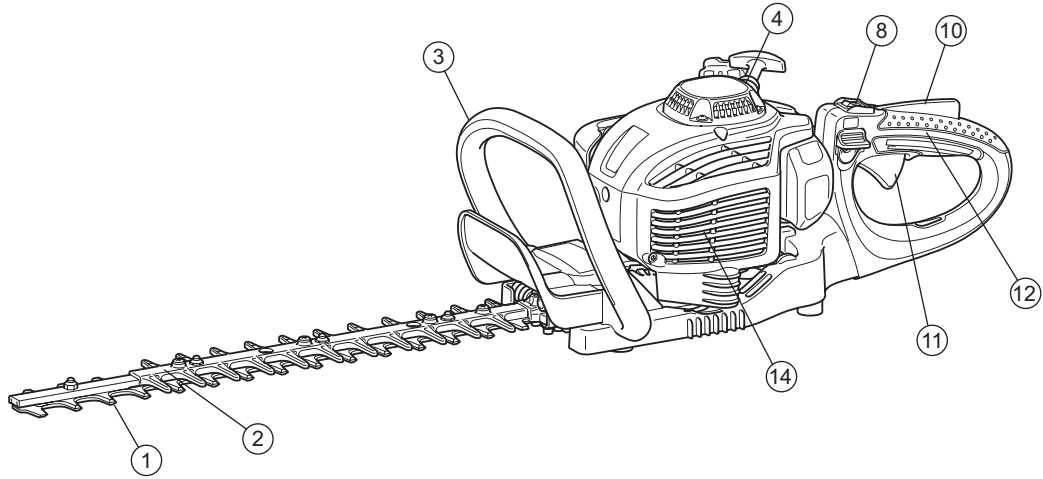
Csak európai országokra vonatkozóan

Az EK Megfelelőségi nyilatkozatot az A függelék tartalmazza a jelen használati útmutatóban.

## MŰSZAKI ADATOK

Típus		HT-2350D	HT-2360D	HT-2375D		
Méreték (h x sz x m)	mm	1014 x 262 x 216	1119 x 262 x 216	1259 x 262 x 216		
Tömeg (késvédő nélkül)	kg	4,8	5,0	5,2		
Térfogat (üzemanyagtartály)	L	0,4				
Motor-lökettérfogat	cm <sup>3</sup>	22,2				
Vágási hossz	mm	483	588	728		
Maximális motorteljesítmény	kW	0,68				
Percenkénti rezgésszám	min <sup>-1</sup>	4270				
Alapjárat fordulatszám	min <sup>-1</sup>	3000				
Tengelykapcsoló összekapcsolási fordulatszáma	min <sup>-1</sup>	4000				
Porlasztó	típusa	WALBRO WYL				
Gyújtásrendszer	típusa	Szilárd állapotú gyújtás				
Gyertya	típusa	NGK CMR6A				
Elektródtávolság	mm	0,7 - 0,8				
Vibráció az EN ISO 10517 szerint	Jobb markolat	$a_{hv\ eq}$	m/s <sup>2</sup>	2,5	2,7	2,3
		Tűrés (K)	m/s <sup>2</sup>	1,3	1,1	1,6
	Bal markolat	$a_{hv\ eq}$	m/s <sup>2</sup>	2,5	2,8	2,3
		Tűrés (K)	m/s <sup>2</sup>	1,3	1,1	1,2
Zaj az EN ISO 10517 szabvány szerint	Hangnyomásszint		dB (A)	93,0	92,8	93,9
		Tűrés (K)	dB (A)	1,4	2,2	1,2
	Hangteljesítményszint		dB (A)	103,0	103,2	103,8
		Tűrés (K)	dB (A)	2,1	1,5	1,3
Keverési arány (üzemanyag: motorolaj)	DOLMAR motorolaj kétütemű motorokhoz		50 : 1			
	Egyéb gyártó által előállított kétütemű motorolaj		25 : 1			
Áttétel	9 : 43					

## ALKATRÉSZEK MEGNEVEZÉSE



	ALKATRÉSZEK MEGNEVEZÉSE		ALKATRÉSZEK MEGNEVEZÉSE		ALKATRÉSZEK MEGNEVEZÉSE
1	Fűrészlap	7	Porlasztó (a képen nem látható)	13	Kioldókar
2	Tompa toldat	8	I-O (be/ki) kapcsoló	14	Dob
3	Elülső markolat	9	Gyertya	15	Üzemanyagpumpa
4	Berántószerkezet	10	Reteselő kar	16	Üzemanyagtartály
5	Üzemanyagtartály sapkája	11	Gázkar	17	Késvédő
6	Szivató	12	Hátulsó markolat		

## Üzemanyag-olaj keverék

- A sövénynyíró motorja nagy hatékonyságú kétütemű benzinmotor. Üzemanyaga benzin és kétütemű motorolaj keveréke. A motor minimum 91-es oktánszámú, ólommentes üzemanyaggal üzemel. Ha ilyen üzemanyag nem kapható, magasabb oktánszámút is használhat. Ez nem károsítja a motort, de ronthatja működését. Hasonló következményekkel járhat az ölmazott üzemanyag használata is. Az optimális motorműködés, valamint egészsége és a környezet védelme érdekében használjon ólommentes benzint!
- A motor kenéséhez használjon kétütemű motorolajat (minőségi osztály: TSC-3) a benzinbe keverve. A motor a környezet védelme érdekében csak benzin és DOLMAR kétütemű olaj 50:1 arányú keverékével üzemelhet. Így minimális károsanyag-kibocsátás mellett garantálható a hosszú élettartam és a megbízható működés. Az 50:1 (DOLMAR kétütemű motorolaj) keverési arány betartása rendkívül fontos, máskülönben a sövénynyíró megbízható működése nem garantálható.
- A megfelelő keverési arány:  
Benzin: Előírt kétütemű motorolaj = 50 : 1 vagy  
Benzin: Egyéb gyártó által előállított kétütemű motorolaj = 25 : 1

**MEGJEGYZÉS:** A benzin-olaj keverék előállításához először mindig keverje bele az erre szánt teljes olajmennyiséget a benzin feléhez egy olyan kannában, amely megfelel az összes helyi szabványnak vagy azoknál is szigorúbb előírásoknak. Ezután adja hozzá a maradék benzinmennyiséget.

Alaposan rázza össze a keveréket, mielőtt betölti a sövénynyíró üzemanyagtartályába.

A biztonságos működés érdekében ne adjon az előírtnál több olajat az üzemanyaghoz. A többlet olaj csak több elégtelen égéstermék eredményez, ami szennyezi a környezetet, és eltömíti a kipufogócsatornát a hengerben, valamint a hangtompítót. Emellett megnö az üzemanyag-fogyasztás, és csökken a teljesítmény.

## Kőolajtermékek kezelése

Üzemanyagokat mindig körültekintően kezelje. Az üzemanyag oldószerekhez hasonló anyagokat tartalmazhat. A betöltést végezze jól szellőző vagy nyitott helyen. Ne lélegezze be az üzemanyagpárát, és ügyeljen arra, hogy ne kerüljön a bőrére üzemanyag vagy olaj.

Ha ezek az anyagok sokszor és hosszú ideig érintkezésbe kerülnek a bőrrel, kiszáradtják.

Az anyagok különböző bőrbetegséget okozhatnak, emellett allergiás reakciót is kiválthatnak.

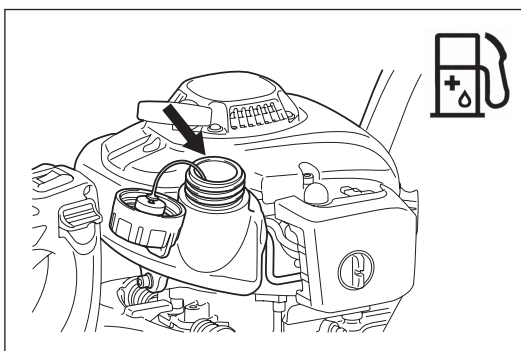
A szemet is irritálhatja az olaj, üzemanyag stb.

Ha olaj, üzemanyag stb. kerül a szemébe, azonnal mossa ki csapvízzel.

Ha az irritáció továbbra is fennáll, azonnal keressen fel az orvost!



Tanulmányozza át a 47. oldalon található biztonsági tudnivalókat.



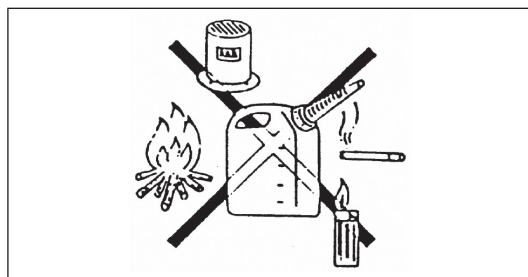
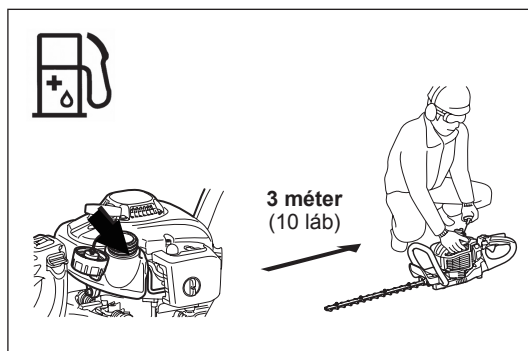
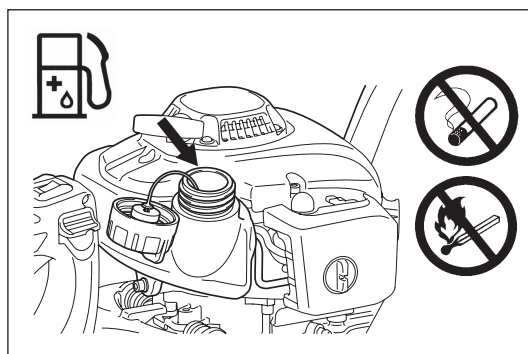
Benzin	+	Olaj
	50:1	
		25:1
1000 cm <sup>3</sup> (1 liter)		20 cm <sup>3</sup> 40 cm <sup>3</sup>
5000 cm <sup>3</sup> (5 liter)		100 cm <sup>3</sup> 200 cm <sup>3</sup>
10000 cm <sup>3</sup> (10 liter)		200 cm <sup>3</sup> 400 cm <sup>3</sup>

## Üzemanyag-betöltés

- Állítsa le a motort.
- Tankolás előtt állítsa le a motort, tartsa távol nyílt lángtól, és ne dohányozzon.
- Ügyeljen arra, hogy a talaj szennyeződésének elkerülése érdekében ne fröccsenjen ki olaj vagy üzemanyag. A kiömlött üzemanyagtól azonnal tisztítsa meg a sövénynyírót.
- Ügyeljen arra, hogy a motorra ne fröccsenjen üzemanyag. A kiömlött üzemanyagot törölje fel.
- Kerülje az üzemanyag ruhájával való érintkezését. Ha üzemanyag ömlik a ruhájára, azonnal váltson ruhát (a ruha meggyulladásának megelőzése érdekében).
- Rendszeres időközönként ellenőrizze, hogy a tanksapka jól zár és nem szivárog.
- Óvatosan húzza meg az üzemanyagtartály sapkáját. A motort máshol indítsa be (legalább 3 méteres távolságban az üzemanyag-betöltés helyétől).
- Zárt helyiségekben soha ne tankoljon. Az üzemanyagpára talajszinten gyűlik össze. (Robbanásveszély.)
- Az üzemanyagot csak arra engedélyezett edényben szállítsa és tárolja. Gyerekektől zárva tárolja az üzemanyagot.
- Alaposan tisztítsa meg a tanksapka körüli részt, hogy ne kerülhessen szennyeződés az üzemanyagrendszerbe.
- Csavarja le a tanksapkát, és töltsse fel a tartályt üzemanyaggal. Használjon szűrővel ellátott tölcserát a tankoláshoz.
- Kézzel szorosan csavarja a helyére a tanksapkát.
- Tankolás után tisztítsa le a tanksapka és a tartály környékét.
- A tűzveszély megelőzése érdekében mindig törölje le a kiömlött üzemanyagot.

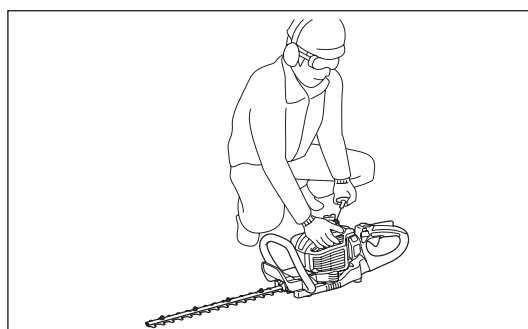
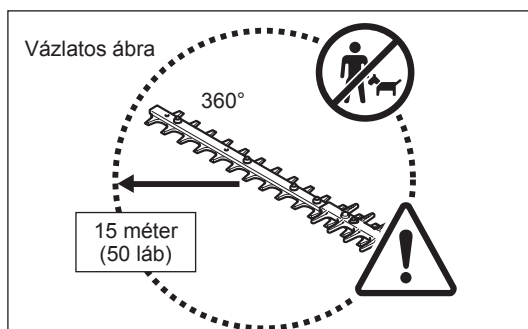
## Az üzemanyag tárolása

- Az üzemanyagot nem lehet korlátlan ideig tárolni.
- Csak annyi üzemanyagot szerezzen be, amennyi 4 hét használatra elegendő.
- Csak jóváhagyott tárolóedényt használjon.



## BEINDÍTÁS ELŐTTI ÓVINTÉZKEDÉSEK

- Ügyeljen arra, hogy a munkavégzés helyétől 15 m-es távolságban ne legyenek gyerekek vagy más emberek. Figyeljen arra is, hogy ne legyenek a közelben állatok.
- A munka megkezdése előtt mindig ellenőrizze a sövénynyíró biztonságos működését. Ellenőrizze a vágószerkezet épségét, a gázkar akadálymentes működését és az I-O (be-ki) kapcsoló megfelelő működését. Ügyeljen arra, hogy a motort alapjáratban járattva a vágókések ne mozogjanak. Ha bizonytalan a kérdés megítélésében, ellenőriztesse a márkakereskedővel a gép beállítását. Ellenőrizze, hogy a fogantyúk tiszták és szárazak-e, és próbálja ki az I-O (be/ki) kapcsoló működését.
- Kizárólag az utasítások szerint indítsa be a sövénynyírót. Ne használjon más módszert a motor beindítására! (lásd: Beindítás)
- A sövénynyíró motorját csak a gép teljes összeállítását követően indítsa be. A motort csak az összes megfelelő tartozék felszerelése után szabad működtetni. Ennek figyelmen kívül hagyása balesetveszéllyel járhat.
- A beindítás előtt ellenőrizze, hogy a vágókések nem érnek hozzá semmihez, például ághoz, kőhöz stb.
- A sövénynyírás megkezdése előtt ellenőrizze, hogy nincs-e a munkaterületen vezeték, madzag, üveg vagy más idegen tárgy, amelyhez a vágókés hozzáérhet.
- Áramtűrés. Ügyeljen az elektromos vezetékekre és elektromos kerítésekre. A munka megkezdése előtt ellenőrizze, hogy nincs-e a területen elektromos vezeték.



## A GÉP BEINDÍTÁSA

Távolodjon el legalább 3 méterre az üzemanyag-betöltés helyétől. Helyezze a sövénynyírót egy tiszta helyre a földön. Ügyeljen arra, hogy a vágókések ne érjenek a talajhoz vagy más tárgyhöz.

**Hidegindítás:** (Ha a motor hideg, már legalább 5 perce áll vagy tankolás után.)

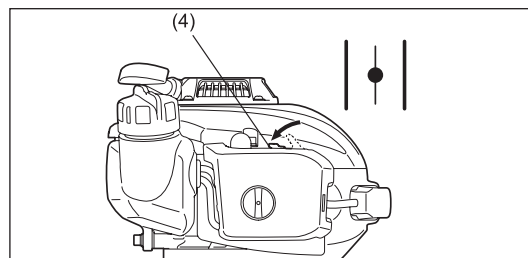
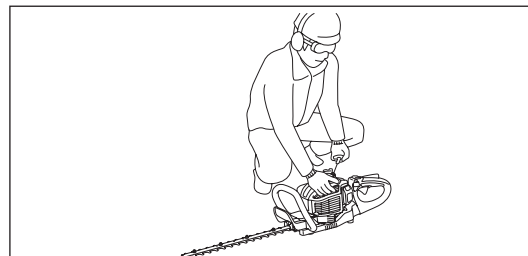
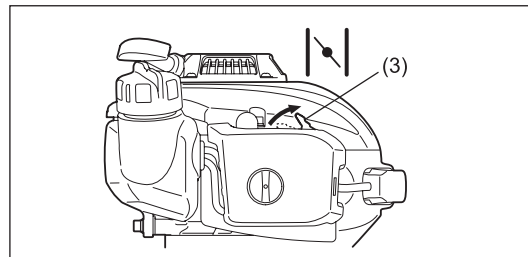
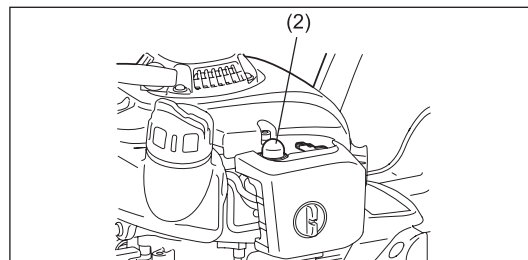
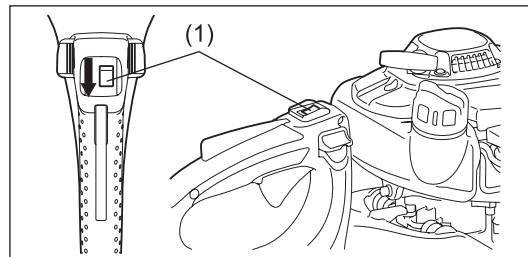
1. Az I-O (be-ki) kapcsolót (1) állítsa „I” állásba.
2. Finoman nyomja meg párszor (7 - 10 alkalommal) az üzemanyagpumpát (2), amíg meg nem telik üzemanyaggal.
3. Állítsa a szivatókart (3) „I”-re.
4. Tartsa a sövénynyírót erősen lefelé, hogy a motor berántása közben se veszítse el felette az uralmat. Ha nem így tesz, eleshet és/vagy a vágókés hozzáérhet valamihez, ami súlyos sérülést vagy anyagi kárt okozhat.
5. Húzza az indítókart lassan 10 - 15 cm-re, amíg ellenállást nem érez.
6. Az ellenállást érezve húzza meg erősen az indítókart, és indítsa be a motort.
7. Ha a motor beindult, vagy rángat és leáll, állítsa vissza a szivatókart (4) „I” helyzetbe.
8. A teljes terhelés előtt járassa a motort körülbelül egy percig alacsonyabb fordulatszámon.

**Megjegyzés:**

- Ha az indítófogantyút a szivatókar „I” (zárt) állásában többször meghúzza, a túl sok beszívott üzemanyag miatt a motor nehezebben indul.
- Ha túlszívta magát a motor, csavarja ki a gyújtógyertyát, és lassan húzza meg az indítófogantyút a felesleges üzemanyag eltávolításához. Emellett szárítsa meg a gyújtógyertya elektród körüli részét is.

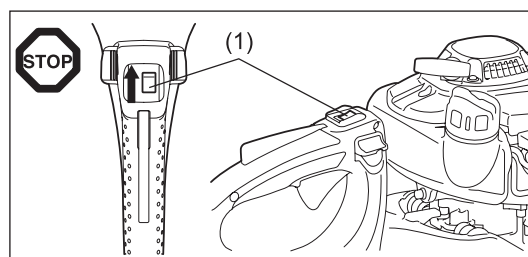
**Melegindítás:** (Azonnali beindítás leállítás után) A forró motor újraindításakor a próbálja meg a fenti eljárást: 1,2,4,5,6, a szivatókart (4) „I” helyzetbe állítva. Ha a motor nem indul be, ismétlje meg a fenti 1-8. lépést.

**Megjegyzés:** Ne húzza ki teljes hosszúságában az indítókötelet. Ne hagyja, hogy az indítómarkolat ellenőrizetlenül húzódjon vissza. Ügyeljen arra, hogy lassan húzódjon vissza.



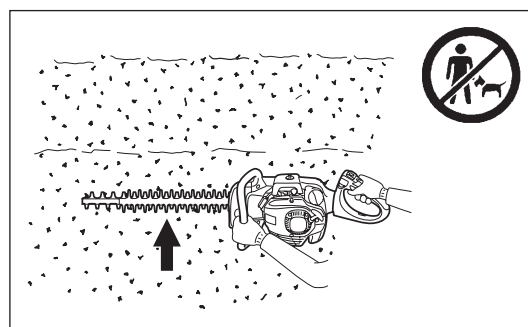
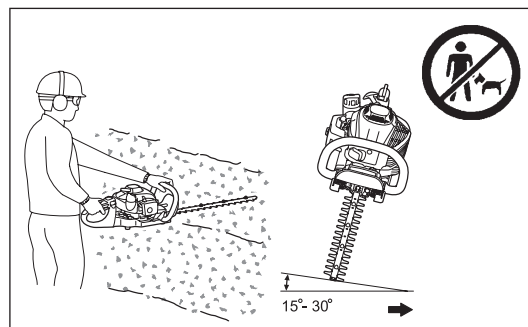
## A GÉP LEÁLLÍTÁSA

1. Engedje el teljesen a gázkart.
2. Az I-O (be-ki) kapcsolót (1) állítsa „O” állásba. A motor lelassul majd leáll.



## A GÉP HASZNÁLATA

- A gépet mindig tartsa szilárdan.
- Ne érjen a vágókésekhez a gép beindításakor és üzem közben.
- Használja úgy a sövénynyírót, hogy elkerülje a kipufogógázok belélegzését. Soha ne működtesse motort zárt helyiségben (gázmérgezés veszélye). A szén-monoxid szagtalan gáz.
- Mindig használja a géphez adott összes védőfelszerelést, pl. a védőburkolatot.
- Soha ne használja a gépet, ha a hangtompító sérült vagy hiányzik.
- A sövénynyírót csak megfelelő fény- és látási viszonyok mellett használja.
- Télen óvatosan dolgozzon a csúszós vagy nedves felületeken, jégen és havon. (Csúszásveszély.) Mindig biztosan álljon a talajon.
- Ne dolgozzon a sövénynyíróval létráról. Mindkét lábával álljon a talajon.
- Soha ne másszon fára a sövénynyíróval történő vágási művelet elvégzése miatt.
- Instabil felületen ne dolgozzon.
- Távolítsa el a munkaterületen található homokot, köveket, szegeket, huzalokat stb. Az idegen tárgyak károsíthatják a vágószerkezetet.
- A vágási művelet megkezdése előtt vágja le a 8 mm-es vagy vastagabb ágakat metszőollóval.
- A vágás megkezdése előtt a vágószerkezetnek el kell érnie a teljes munkasebességet.
- A sövénynyírót mindig tartsa szilárdan, mindkét kézzel fogva a fogantyút.
- A fogantyúkat tartsa szilárdan, ujjaival körbefogva őket.
- A gázkart elengedve a vágószerkezet nem azonnal áll le.
- Ne használja a sövénynyírót magas alapijárati fordulatszámra. Nem lehet beállítani a vágási sebességet a gázkarral, ha az alapijárati fordulatszám túl nagy.
- A vágás során tartsa a sövénynyírót úgy, hogy a kések 15-30°-os szögben legyenek a vágás vonalához képest.
- Nagyon figyeljen oda, amikor drótkerítéshez közeli sövényt nyír.
- A vágókésekkel ne érjen hozzá kemény tárgyakhoz, mint a drótkerítés, kő vagy talaj. Ha mégis hozzáér, a pengék elrepedhetnek, le- vagy eltörhetnek.
- Ha a vágólap kővel vagy kemény tárggyal ütközik, azonnal állítsa le a motort, és vizsgálja át a vágószerkezetet. A sérült késeket cserélje ki, mielőtt újra munkába kezdené.
- Rendszeresen tartson pihenőt. A DOLMAR azt javasolja, hogy 50 percenként tartson 10 - 20 perc pihenőt.
- Bármilyen motorhiba esetén azonnal állítsa le a motort.
- A sövénynyírót a lehető legkisebb zajjal és legkevesebb szennyezéssel működtesse. Különösen ügyeljen a porlasztó és a benzin/olaj keverési arány megfelelő beállítására.
- Soha ne kísérelje meg a beszorult levágott anyag eltávolítását, ha a kések járnak. Tegye le a gépet, állítsa le, és távolítsa el a nyereséket.



## A HÁTSÓ FOGANTYÚ SZÖGÉNEK BEÁLLÍTÁSA

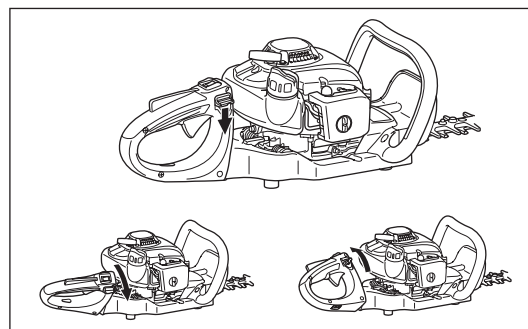
A hátsó markolat jobbra és balra 90°-kal lehajtható, és mindkét oldalon beállítható 45°-ra.

A szög módosítása:

1. Nyomja meg a kioldókart a zár kioldásához.
2. Fordítsa el a fogantyút 0°, 45° vagy 90°-os szögben.
3. Ügyeljen arra, hogy a kioldókar visszatérjen az eredeti helyzetébe a zárashoz.

Ne húzza meg a gázkart, amíg a zár ki van oldva.

Működés közben ne oldja ki a zárat.



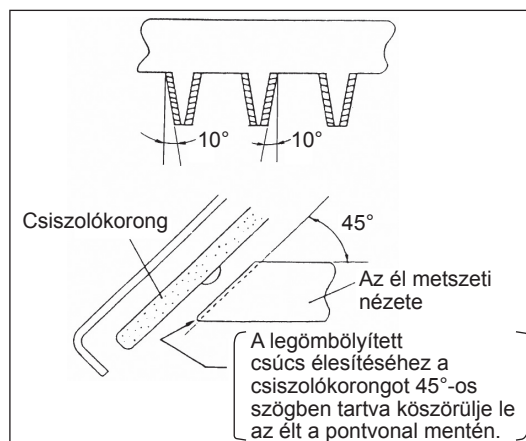
## KARBANTARTÁSI ÚTMUTATÓ

- Kapcsolja ki a motort, és húzza ki a gyújtógyertya csatlakozóját a vágókések tisztítása, cseréje, élezése, illetve bármilyen más karbantartás végzése esetén.
- Soha ne egyenesítsen ki vagy hegesszen sérült kést.
- Leállított motorral gyakran vizsgálja meg, hogy a vágókések épek-e még.
- Tartsa élesen a késeket.
- A sövénynyírót rendszeres időközönként tisztítsa meg, és ellenőrizze, hogy a csavarok és anyák rendesen be vannak-e feszítve.
- Tűzveszély miatt nyílt láng, szikra stb. közelében ne javítsa a sövénynyírót.
- Mindig viseljen bőr védőkesztyűt, ha a késeket élezi vagy más műveletet végez rajtuk.

### Kések élezése

Ha az élek eltompultak és már nem vágnak megfelelően, csak a vonalkázott területet köszörülje meg (lásd ábra). Ne köszörülje a felső és az alsó kés érintkező felületeit (csúszófelületek).

- Köszörülés előtt állítsa le a motort, vegye le a gyertyapipát, és rögzítse szilárdan a vágószerkezetet.
- Viseljen védőkesztyűt, védőszemüveget stb.
- Ne köszörüljön le túl sok anyagot. Túl sok anyag eltávolítása megláztja az edzett réteget, és a pengék nagyon gyorsan eltompulnak a használat során.



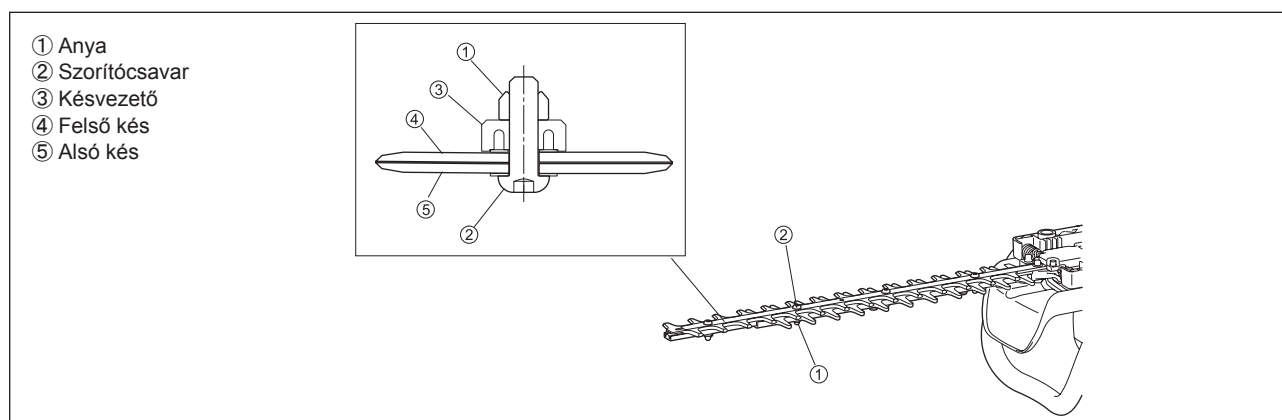
### A pengetávolság beállítása

A felső/alsó kések elkopnak. Ha a pengék élessége ellenére a vágás nem megfelelő, állítsa be az alábbiakban leírtak szerint a pengék távolságát.

1. A csavarok meglazításával távolítsa el a tompa toldatot.
2. Lazítsa meg az anyát (1) egy csőkulccsal vagy franciakulccsal.
3. Húzza meg a szorítócsavart (2) gyengén egy franciakulccsal ütközésig, majd negyed fordulattal tekerje vissza.
4. Húzza meg az anyát (1), miközben lefogja a szorítócsavart (2).
5. Kenje be vékony olajjal a pengék súrlódó felületét.
6. Indítsa be a motort, és egy percig kapcsolgassa be és ki a gázkart.
7. Mérje meg a kések leálláshoz szükséges időt, miután felengedte a gázkart. Ha két másodpercnél több idő telik el, állítsa le a motort, és ismételje meg a 2-7. lépéseket.
8. Állítsa le a motort, és érintse meg a vágófelületet. Ha az nem túl forró, ahhoz, hogy megérintse, a beállítás megfelelő. Amennyiben túlságosan forró, ahhoz, hogy megérintse, hajtja kissé vissza a szorítócsavart (2), és ismételje meg a 6-8. lépéseket.
9. A csavarok meghúzásával szerelje fel a tompa toldatot.

**MEGJEGYZÉS: Beállítás előtt állítsa le a motort és várja meg, hogy a kések is leálljanak.**

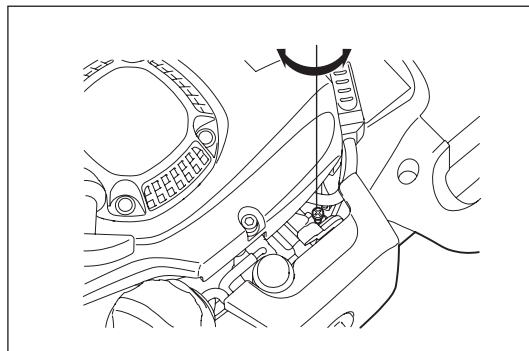
**A késeken a (2) csavar körül található egy rés. Ha port talál a rések végében, távolítsa el.**



## Az alapjáratí fordulatszám ellenőrzése és beállítása

A vágókések nem mozdulhatnak meg, ha a motor alapjáraton van.

- Az alapjáratí fordulatszám normál esetben 3000 min<sup>-1</sup>.
  - Szükség esetén állítsa be az alapjáratí csavart (alapjáraton a vágókések nem mozdulhat meg).
    - A vágókések alapjáraton is futnak – forgassa az alapjáratí csavart az óramutató járásával ellenkező irányban az alapjáratí fordulatszám csökkentéséhez.
    - A motor leáll alapjáraton – forgassa az alapjáratí csavart óramutató járásával megegyező irányban az alapjáratí fordulatszám növeléséhez.
- Ha a beállítás után a vágókések alapjáraton továbbra is futnak, forduljon a legközelebbi hivatalos szervizhez.
- A tengelykapcsoló normál esetben 3750 min<sup>-1</sup> vagy magasabb fordulatszámra kapcsolódik össze.
  - Ellenőrizze az I-O (be-ki) kapcsoló, a reteszelőkar és a gázkar működését.



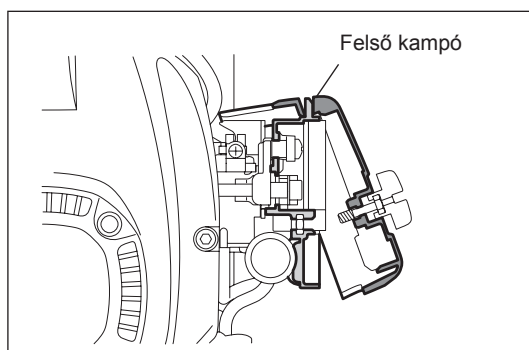
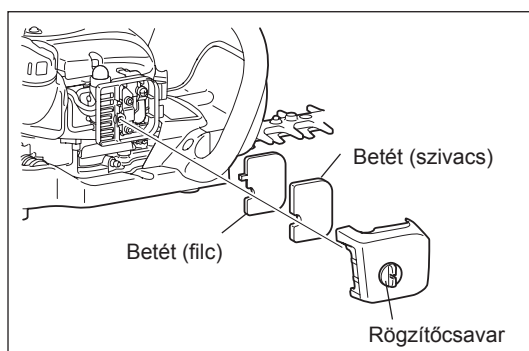
## A légszűrő tisztítása



**VESZÉLY: Éghető anyagok használata szigorúan tilos**

Ellenőrizze és tisztítsa meg a légszűrőt naponta, illetve 10 üzemóránként.

- A szivatókart fordítsa teljesen zárt helyzetbe, a porlasztót tisztítsa meg a portól és szennyeződéstől.
- Lazítsa meg a rögzítőcsavart.
- Húzza meg a légszűrő fedelének hátsó oldalát, és előre tolva vegye le.
- Ha olaj került a betétbe (szivacs), csavarja ki erősen a betétet.
- Erős szennyeződés esetén:
  - 1) Vegye ki a betétet (szivacs), merítse meleg vízbe vagy vízzel hígított semleges tisztítószerbe, majd teljesen szárítsa ki.
  - 2) Benzinnel tisztítsa meg a betétet (filc), majd szárítsa meg teljesen.
- A betét behelyezése előtt győződjön meg róla, hogy teljesen megszáradt. A nem teljesen megszáradt betét nehézkes indítást okozhat.
- Tisztítsa meg az olajtól a légszűrő környékét törlőruhával.
- A tisztítás után azonnal szerelje fel a légszűrő fedelét, és rögzítse a rögzítőcsavarokkal. (Először a felső kampót akassza be.)



### A légszűrőbetétek kezelésére vonatkozó tudnivalók

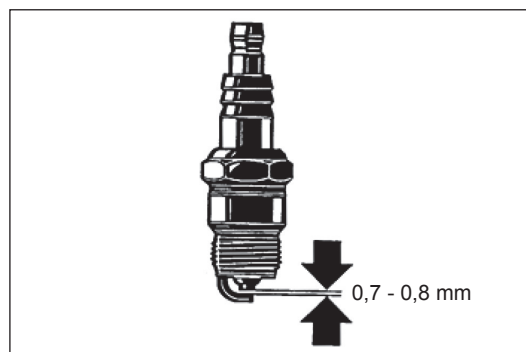
- Túl sok por felhalmozódása esetén naponta többször tisztítsa a betéteket.
- Ha továbbra is olajjal szennyezett betétekkel működteti a gépet, a légszűrőben lévő olaj kifolyhat, ami olajszennyezést okoz.



## A gyújtógyertya ellenőrzése

Ellenőrizze és tisztítsa meg a gyújtógyertyát naponta, illetve 8 üzemóránként.

- A gyújtógyertya eltávolításához vagy beszereléséhez csak a mellékelt univerzális kulcsot használja.
- A gyújtógyertya két elektródja közötti hézag normál esetben 0,7 - 0,8 mm. Ha a nem ennyi, állítsa be. Ha a gyújtógyertya szennyezett vagy lerakódások találhatók rajta, alaposan tisztítsa vagy cserélje ki. Cserélje pontosan ugyanolyanra.



## Zsírozás és kenés

- 50 üzemóránként zsírozzon a zsírozószemmel. (Shell Alvania No. 3 vagy ezzel egyenértékű kenőanyag)

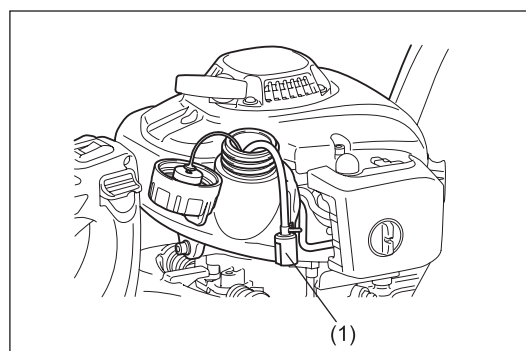
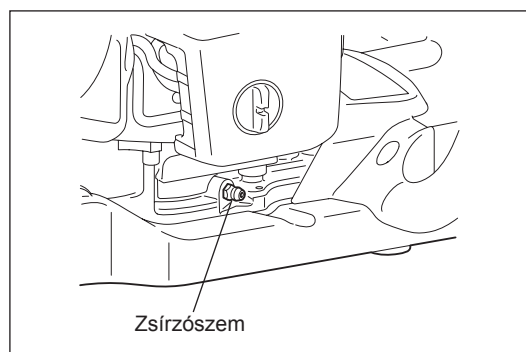
**MEGJEGYZÉS:** Figyeljen a megadott időközökre és zsírmennyiségre. Ellenkező esetben a nem megfelelő mennyiségű zsír a gép meghibásodásához vezethet.

## Az üzemanyagszűrő tisztítása (szívófej az üzemanyagtankban)

**FIGYELEM: Éghető anyagok használata szigorúan tilos**

Ellenőrizze és tisztítsa meg az üzemanyagszűrőt naponta, illetve 50 üzemóránként.

- A szívófejen levő üzemanyagszűrő (1) a porlasztóba befolyó üzemanyag szűrésére szolgál.
- Rendszeresen ellenőrizze szemrevételezéssel az üzemanyagszűrőt.
- Ennek elvégzéséhez vegye le az üzemanyagtartály sapkáját, és egy drótkampó segítségével húzza ki a szívófejet az üzemanyagtartály nyílásán át. Cserélje ki az üzemanyagszűrőt, ha az megkeményedett, beszennyeződött vagy eldugult.
- A porlasztó megfelelő üzemanyag-ellátásának biztosítására legalább negyedévenként cserélje az üzemanyagszűrőt. Ellenkező esetben a nem megfelelő üzemanyag-ellátás motorindítási hibát okozhat, és korlátozhatja a maximális fordulatszámot.



## Az üzemanyagcső cseréje

**VIGYÁZAT: Éghető anyagok használata szigorúan tilos**

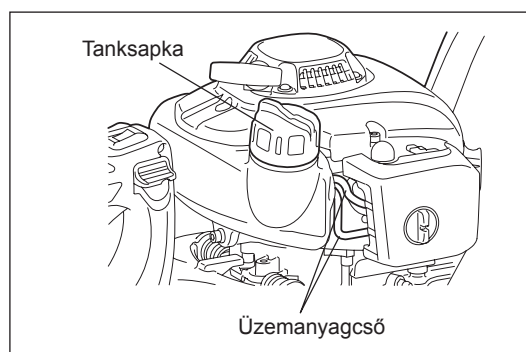
Ellenőrizze és tisztítsa meg az üzemanyagcsövet naponta, illetve 10 üzemóránként.

Cserélje ki az üzemanyagcsövet 200 üzemóránként, illetve évente, a használat gyakoriságától függetlenül. Ennek elmulasztása a tűzveszélyes üzemanyag szivárgását okozhatja.

Ha az ellenőrzés során szivárgást észlel, azonnal cserélje ki az olajcsövet.

## Az üzemanyagtartály sapkájának cseréje

- Ha bármilyen repedés vagy sérülés látható az üzemanyagtartály sapkáján, cserélje ki.
- Idővel a tanksapka elhasználódik. Cserélje ki 2 -3 évente.



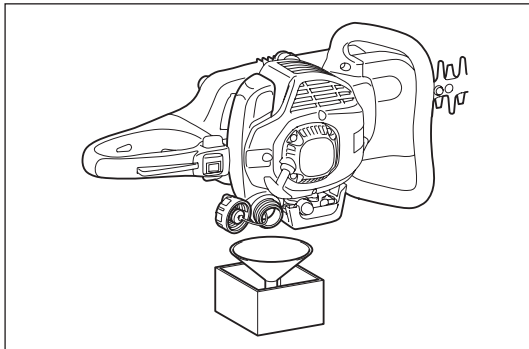
A kézikönyvben nem ismertetett karbantartási és beállítási műveletekkel kapcsolatban kérdezze meg a DOLMAR hivatalos szervizközpontját.

## Napi ellenőrzés és karbantartás

A gép hosszú élettartama és a berendezés károsodásának megelőzése érdekében szabályos időközönként el kell végezni a következő szervizműveleteket.

- Használat előtt:
  - Ellenőrizze a gépet, hogy vannak-e meglazult csavarok vagy hiányoznak-e alkatrészek. Különös figyelemmel ellenőrizze a vágószerkezet csavarjainak befeszítettségét.
  - Mindig ellenőrizze a hűtőlevegő szabad áramlását és a henger bordáinak eltömődöttségét. Szükség esetén tisztítsa meg ezeket.
  - Tisztítsa meg az üzemanyagtartályt és ellenőrizze, hogy szivárog e, illetve van e benne idegen anyag.
- Használat után:
  - Tisztítsa meg a sövénynyírót kívül, és nézze meg, hogy nem sérült-e.
  - Tisztítsa meg a levegőszűrőt. Ha különösen poros környezetben használja a gépet, naponta többször tisztítsa a légszűrőt.
  - Ellenőrizze a vágószerkezet épségét és rögzítését.

## TÁROLÁS



- Hosszan tartó tárolás esetén ürítse le az üzemanyagot az üzemanyagtartályból és a porlasztóból az alábbi módon: Ürítse le az összes üzemanyagot az üzemanyagtartályból.
- Szerelje ki a gyújtógyertyát, majd a gyújtógyertya nyílásába cseppentsen néhány csepp motorolajat. Ezután az indítószínort finoman meghúzva járassa meg a motort az olaj egyenletes eloszlásához a motoron belül, majd szerelje vissza a gyújtógyertyát.
- Tisztítsa le a vágószerkezetet és a motor külsejét, törölje át olajos ronggyal, és helyezze el a lehető legszárazabb helyen a gépet.

## KARBANTARTÁSI ÜTEMTERV

<b>Minden tankolás után</b>	Gázkar I-O (be-ki) kapcsoló	Ellenőrizze a működést Ellenőrizze a működést
<b>Minden használat előtt</b>	Motoregység, csavarok és anyák  Légszűrő Hűtőlevegő csöve Vágószerszám Alapjárat fordulatszám Üzemanyagtartály	Szemrevételezéssel ellenőrizze a sérülést és a megfelelő meghúzást Ellenőrizze az általános állapotot és biztonságot Tisztítsa meg Tisztítsa meg Ellenőrizze az épséget és élességet Vizsgálat (a vágószerkezet nem mozdulhat meg) Ellenőrizze és tisztítsa meg
<b>50 üzemóránként</b>	Fogaskerékház	Zsírozás
<b>Hetente</b>	Gyertya	Ellenőrizze, adott esetben cserélje
<b>Évente</b>	Üzemanyagcső	Cserélje ki
<b>Kétévente</b>	Tanksapka	Cserélje ki
<b>Hosszú távú tárolás előtt</b>	Üzemanyagtartály Karbúrator Szívókosár	Ürítse ki és tisztítsa meg Járassa, amíg ki nem fogy az üzemanyag Cserélje ki

## HIBAKERESÉS

Hiba	Rendszer	Megjegyzés	Ok
A motor nehezen vagy egyáltalán nem indul	Gyújtásrendszer	Van szikra	Hiba az üzemanyag-ellátó vagy a sűrítő rendszerben, mechanikai meghibásodás
		Nincs gyújtószikra	Az I-O (be-ki) kapcsoló kikapcsolt helyzetben van, vezetékszakadás vagy rövidzárlat, a gyújtógyertya vagy a gyújtáskábel hibás, gyújtásmódul meghibásodása
	Üzemanyag-ellátás	Az üzemanyagtartály fel van töltve	Hidegindító helyzete nem megfelelő, hibás a porlasztó, elszennyeződött a szívófej (üzemanyag szívócső), megtört vagy eltört az üzemanyag-vezeték
	Kompresszió	A motoron belül	Hibás hengerfejtömítés, hibás főtengelyszimering, hibás henger vagy dugattyúgyűrű
		A motoron kívül	A gyújtógyertya tömítése nem megfelelő
Gépészeti hiba	Az indító nem forog	Tört az indító rugója, tört alkatrészek a motor belsejében	
	Üzemanyagtartály tele, szikra van	Eltömődött karburátor, tisztítást igényel	
Melegindítási problémák	Üzemanyag-ellátás	Az üzemanyagtartály fel van töltve	Hibás alapjárat beállítás, elszennyeződött szívófej vagy karburátor Eltömődött az üzemanyagtartály szellőzése, megtört az üzemanyag-vezeték, kábelhiba vagy hibás I-O (be-ki) kapcsoló
A motor beindul, de azonnal le is áll	Egyszerre több rendszer lehet érintett	A motor csak alapjáraton működik	Eltömődött a légszűrő, eltömődött a karburátor, eltömődött a hangtompító, a henger kipufogó nyílása eltömődött

Vă mulțumim pentru că ați ales mașina de tuns gardul viu DOLMAR. Suntem încântați să vă putem oferi mașina de tuns gardul viu DOLMAR care este rezultatul unui program îndelungat de dezvoltare și al multor ani de cunoștințe și experiență.

Mașina de tuns gardul viu modelele HT-2350D, HT-2360D și HT-2375D combină avantajele unei tehnologii avansate cu un concept ergonomic cu greutate redusă, manevrare simplă și compact, reprezentând un echipament profesional pentru o gamă variată de aplicații.

**Vă rugăm să citiți, să înțelegeți și să respectați această broșură care se referă în detaliu la diferitele aspecte care vor demonstra performanța extraordinară a mașini de tuns gardul viu. Astfel veți putea obține cele mai bune rezultate posibile cu mașina dumneavoastră DOLMAR de tuns gardul viu.**



Cuprins	Pagina
Simboluri.....	59
Instrucțiuni de siguranță .....	60
Date tehnice .....	63
Denumirea pieselor .....	64
Combustibili/realimentare .....	65
Măsuri de precauție înaintea pornirii .....	66
Pornirea mașinii.....	67
Oprirea mașinii .....	67
Operarea mașinii .....	68
Reglarea mânerului unghiului posterior.....	68
Instrucțiuni de întreținere .....	69
Depozitare .....	72
Program de întreținere.....	72
Locație defect.....	72

## SIMBOLURI

Este foarte important să înțelegeți următoarele simboluri la citirea acestui manual de instrucțiuni.

	AVERTISMENT/PERICOL		Amestec între carburant și ulei
	Citiți, înțelegeți și respectați Manual de instrucțiuni		Pornire manuală motor
	Interzis		Oprire de urgență
	Fumatul interzis		Primul ajutor
	Interzis cu flacără deschisă		Reciclare
	Trebuie purtate mănuși de protecție		PORNIT/START
	Interziceți accesul tuturor persoanelor și animalelor de companie în zona de operare		OPRIT/STOP
	Purtați cască, ochelari și căști de protecție!		Marcaj CE

# INSTRUCȚIUNI DE SIGURANȚĂ

## Instrucțiuni generale

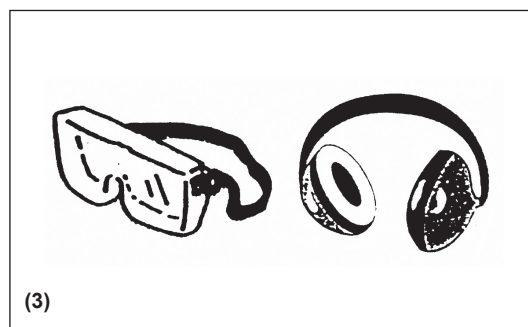
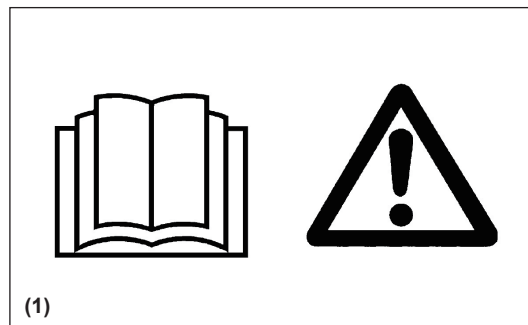
- ACEASTĂ MAȘINĂ POATE CAUZA ACCIDENTĂRI GRAVE. Citiți instrucțiunile cu atenție pentru operațiile corecte de manipulare, pregătire, întreținere, pornire și oprire a mașinii. Familiarizați-vă cu toate comenzile și cu utilizarea corectă a mașinii. (1)
- Recomandăm împrumutarea mașinii de tuns gardul viu doar persoanelor care au experiență cu astfel de echipamente. Înmânați întotdeauna și manualul de instrucțiuni.
- Persoanele care utilizează pentru prima dată mașina de tuns gardul viu trebuie să solicite distribuitorului instrucțiunile de bază pentru a se familiariza cu manipularea unei mașini de tuns gardul viu acționate cu motor.
- Nu este permisă utilizarea mașinii de tuns gardul viu de către copii sau persoane cu vârsta sub 18 ani. Persoanele cu vârsta peste 16 ani pot totuși să utilizeze dispozitivul pentru a fi instruiți doar sub supravegherea unui instructor calificat.
- Folosiți întotdeauna mașina de tuns gardul viu cu cea mai mare grijă și atenție.
- Operați mașina de tuns gardul viu numai dacă vă aflați într-o stare fizică bună. Executați fiecare lucrare cu calm și cu atenție. Utilizatorul trebuie să accepte că are răspunderi față de cei din jur.
- Este interzis să utilizați mașina de tuns gardul viu după consum de alcool sau medicamente, sau dacă sunteți obosit sau bolnav. (2)

## Domeniul de utilizare a mașinii

- Mașina de tuns gardul viu este concepută doar în scopul tunderii tufșurilor și gardurilor vii și nu trebuie utilizată în alte scopuri. Nu folosiți mașina de tuns gardul viu în mod abuziv.

## Echipament personal de protecție

- Îmbrăcămintea purtată trebuie să fie funcțională și adecvată, adică trebuie să fie bine ajustată dar să nu cauzeze disconfort. Nu purtați bijuterii sau haine care se pot agăța în tufșuri sau lăstăriș, sau în mașină.
- Pentru a evita leziunile la cap, ochi, mâini sau picioare precum și pentru a vă proteja auzul, în timpul folosirii mașinii de tuns gardul viu trebuie purtate următorul echipament de protecție și următoarea îmbrăcămintă de protecție.
- În timpul folosirii mașinii de tuns gardul viu purtați întotdeauna ochelari de protecție sau o vizieră de protecție pentru a preveni răniurile. (3)
- Purtați echipament adecvat de protecție la zgomot pentru a evita pierderea auzului, precum amortizoare pentru urechi, dopuri de urechi etc. (3)
- Recomandăm insistent ca utilizatorul să poarte salopetă de lucru. (4)
- Mănușile de protecție confecționate din piele groasă sunt o parte a echipamentului recomandat și trebuie întotdeauna purtate în timpul operării mașinii de tuns gardul viu. (4)
- Atunci când folosiți mașina de tuns gardul viu, purtați întotdeauna încălțăminte robustă cu talpă antiderapantă. Aceasta protejează împotriva vătămărilor corporale și asigură un sprijin stabil. (4)



## Pornirea mașinii de tuns gardul viu

- Vă rugăm să vă asigurați că nu există copii sau alte persoane pe o rază de lucru de 15 metri (5), de asemenea, acordați atenție oricăror animale din apropierea zonei de lucru.
- Înaintea operării verificați întotdeauna dacă mașina de tuns gardul viu poate fi operată în siguranță.
- Verificați siguranța manetei de accelerație. Se va verifica dacă maneta de accelerație poate fi acționată ușor și simplu. Verificați funcționarea corespunzătoare a opritorului manetei de accelerație. Verificați dacă mânerul este curat și uscat și testați funcționarea comutatorului I-O. Feriți mânerul de ulei și combustibil.

Porniți mașina de tuns gardul viu doar conform instrucțiunilor.

### Nu utilizați nicio altă metodă pentru pornirea motorului (6)!

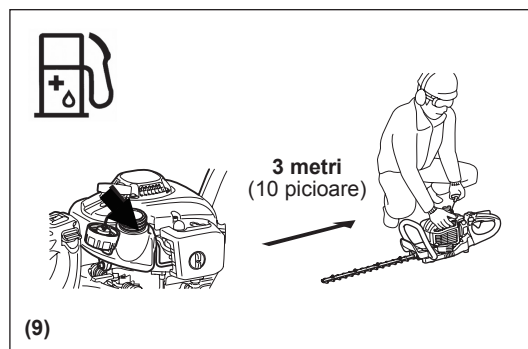
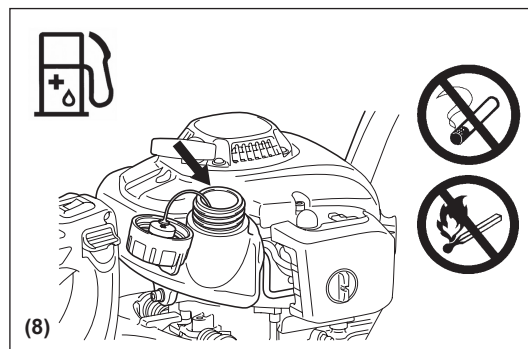
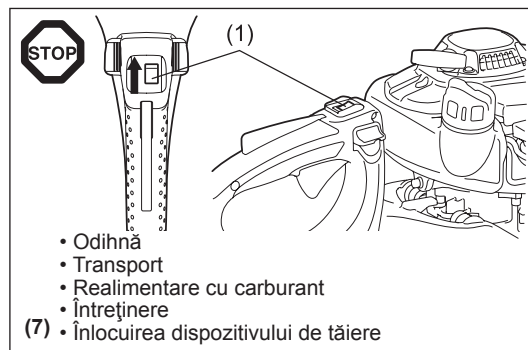
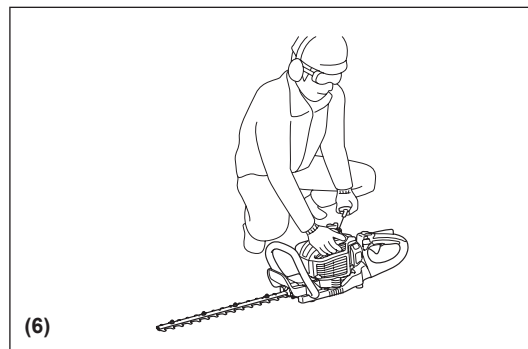
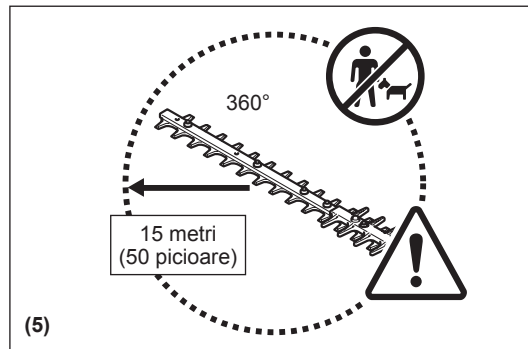
- Utilizați mașina de tuns gardul viu doar pentru aplicațiile specificate.
- Porniți mașina de tuns gardul viu doar după finalizarea întregii asamblări. Operarea mașinii de tuns gardul viu este permisă doar după ce toate accesoriile adecvate sunt atașate!
- Înaintea pornirii, asigurați-vă că pânza de tăiere nu intră în contact cu obiecte precum crengi, pietre, etc.
- Motorul trebuie oprit imediat dacă apar probleme ale acestuia.
- În timpul operării, țineți ferm atât de mânerul din față, cât și de cel din spate, cuprinzând mânerul de degete. Feriți mânerul de umezeală, rășină, ulei sau unsoare.

### Asigurați întotdeauna un sprijin sigur și bine echilibrat al corpului pe picioare.

- A se utiliza doar în exterior.
- Acordați întotdeauna atenție mediului din jur și rămâneți alert la posibilele pericole pe care nu le puteți auzi din cauza zgomotului produs de mașină.
- Folosiți mașina de tuns gardul viu pentru tufișuri astfel încât să evitați inhalarea gazelor de eșapament. Este interzis să puneți motorul în funcțiune în încăperi închise (pericol de sufocare și de otrăvire cu gaze). Monoxidul de carbon este un gaz inodor. Asigurați-vă întotdeauna că există o ventilație suficientă.
- Opiți motorul când vă odihniți și când lăsați mașina de tuns gardul viu nesupravegheată. Amplasați dispozitivul într-o locație sigură, pentru a preveni pericolele pentru ceilalți sau incendierea unor materiale combustibile sau deteriorarea dispozitivului.
- Este interzis să așezați mașina de tuns gardul viu fierbinte pe iarbă uscată sau pe orice materiale combustibile.
- Pentru a reduce pericolul de incendii, feriți motorul și amortizorul de reziduuri, frunze sau lubrifianți excesivi.
- Este interzis să folosiți motorul cu toba de eșapament defectă.
- Opiți motorul în timpul transportului (7).
- Opiți motorul înainte de:
  - Eliberarea unui blocaj;
  - Verificare, întreținere sau lucrări efectuate pe mașină.
- Poziționați mașina de tuns gardul viu în siguranță în timpul transportului cu mașina sau camionul, pentru a evita o scurgere de combustibil.
- La transportarea mașinii de tuns gardul viu asigurați-vă că rezervorul de combustibil este complet gol pentru a evita scurgerile.
- La transportarea sau depozitarea mașinii montați întotdeauna dispozitivul de protecție la tăiere.

## Realimentare cu carburant

- Opiți motorul înainte de realimentare (7), țineți la distanță de flacără deschisă (8) și nu fumați.
- Nu încercați să realimentați un motor cald sau un motor în operare.
- Evitați contactul pielii cu produse pe bază de benzină. Nu inhalați vapori de carburant. Purtați întotdeauna mănuși de protecție când realimentați. Schimbați și curățați îmbrăcămintea de protecție la intervale regulate.
- Aveți grijă să nu vărsați combustibil sau ulei pentru a preveni contaminarea solului (protecția mediului). Ștergeți mașina de tuns gardul viu imediat după vărsarea combustibilului. Uscați materialele utilizate pentru ștergerea combustibilului într-o zonă bine ventilată înainte de a le depune la deșeurile. În caz contrar se poate produce combustia spontană.
- Evitați orice contact al combustibilului cu îmbrăcămintea dvs. Schimbați-vă hainele imediat dacă acestea au intrat în contact cu combustibilul (pericol de aprindere).
- Verificați capacul de combustibil la intervale regulate, asigurându-vă că acesta rămâne fixat corespunzător.
- Strângeți cu grijă bușonul rezervorului de combustibil. Schimbați locația pentru a porni motorul (cel puțin 3 metri distanță de locul realimentării cu combustibil) (9).
- Nu realimentați niciodată în încăperi închise. Vaporii de combustibil se acumulează la nivelul solului (risc de explozie).
- Transportați și depozitați combustibilul doar în recipiente aprobate. Asigurați-vă că acest combustibil depozitat nu este accesibil copiilor.
- La amestecarea benzinei cu ulei de motor în doi timpi, utilizați doar benzină care nu conține etanol sau metanol (tipuri de alcool). Aceasta va contribui la prevenirea defectării conductelor de combustibil sau a altor părți ale motorului.



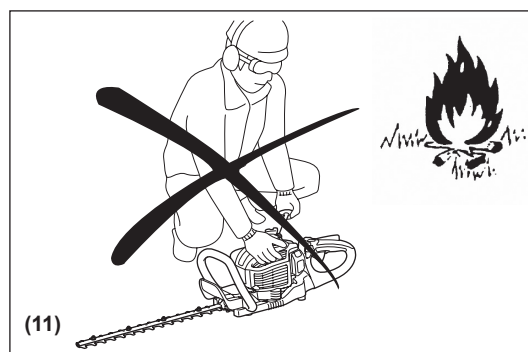
## Metodă de operare

- Utilizați întotdeauna ambele mâini pentru a apuca fiecare mâner în timpul operării.
- Utilizați mașina de tuns gardul viu doar în condiții de bună vizibilitate și lumină. În timpul sezonului de iarnă, fiți atent la zone alunecoase sau umede, gheață și zăpadă (risc de alunecare). Asigurați întotdeauna un sprijin bun al picioarelor.
- Nu lucrați niciodată pe suprafețe instabile sau pe teren înclinat.
- Nu stați pe o scară în timp ce folosiți mașina de tuns gardul viu.
- Este interzis să vă urcați în copaci pentru a efectua operația de tăiere cu mașina de tuns gardul viu.
- Pentru a reduce riscul împiedicării și pierderii controlului, nu vă deplasați în spate în timp ce folosiți mașina.
- Opriti întotdeauna motorul înaintea curățării sau depanării unității, sau înaintea înlocuirii componentelor.
- Nu operați mașina cu un dispozitiv de tăiere defect sau excesiv de uzat.



## Instrucțiuni de întreținere

- Protejați mediul înconjurător. Operați mașina de tuns gardul viu cu un nivel cât mai redus de zgomot, poluând aerul cât mai puțin posibil. În special, verificați reglarea corectă a carburatorului.
- Curățați mașina de tuns gardul viu la intervale regulate și verificați dacă toate șuruburile și piulițele sunt strânse bine.
- Nu efectuați operații de service și nu depozitați mașina de tuns gardul viu niciodată în apropierea flăcărilor deschise, scânteilor, etc. (11).
- Goliți rezervorul de combustibil înainte de depozitarea mașinii de tuns gardul viu.
- Nu depozitați mașina de tuns gardul viu niciodată în apropierea flăcărilor deschise, pentru a evita incendiile.
- Depozitați mașina de tuns gardul viu într-o locație bine aerisită, blocată și departe de accesul copiilor.
- Nu încercați să reparați mașina dacă nu aveți calificarea necesară pentru acest lucru.



## Consultați și urmăriți toate instrucțiunile relevante pentru prevenirea accidentelor emise de societățile de asigurare și consiliile asociațiilor comerciale.

**Nu efectuați nicio modificare a mașinii de tuns gardul viu, deoarece acest lucru vă poate periclita siguranța.**

Efectuarea lucrărilor de întreținere sau reparație de către utilizator este limitată la acele activități descrise în manualul de instrucțiuni. Toate celelalte lucrări vor fi efectuate de un agent de service autorizat.

Utilizați doar piese de schimb originale și accesorii furnizate de centre de service autorizate de DOLMAR.

Utilizarea de accesorii și unelte neautorizate reprezintă un risc crescut de accidente și răniri. DOLMAR nu acceptă răspunderea pentru accidente sau daune cauzate de utilizarea unor accesorii neaprobate.

## Primul ajutor

În cazul unui accident, asigurați-vă că dispuneți de o trusă de prim-ajutor conform DIN 13164 în apropierea locului de desfășurare a operațiilor de tăiere. Înlocuiți imediat orice element folosit din trusa de prim ajutor.

### Când solicitați ajutor, oferiți următoarele informații:

- Locul accidentului
- Ce s-a întâmplat
- Numărul de persoane rănite
- Extinderea rănilor
- Numele dumneavoastră



## Ambalaj

Mașina de tuns gardul viu DOLMAR este livrată într-o cutie de protecție din carton pentru a preveni daunele în timpul transportului. Cartonul este o materie primă de bază și în consecință este reutilizabil sau potrivit pentru reciclare (reciclare deșeuri hârtie).



## DECLARAȚIE DE CONFORMITATE CE

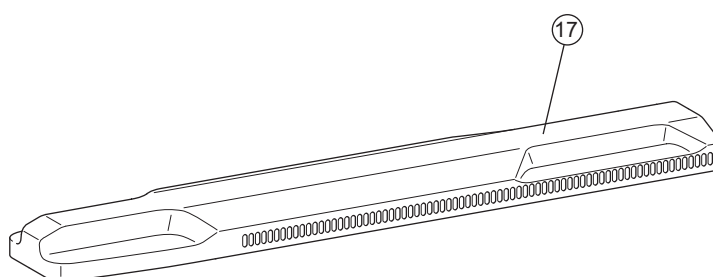
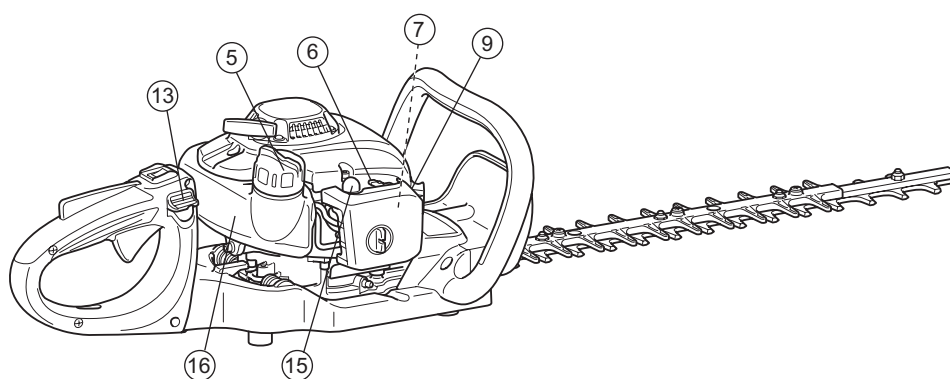
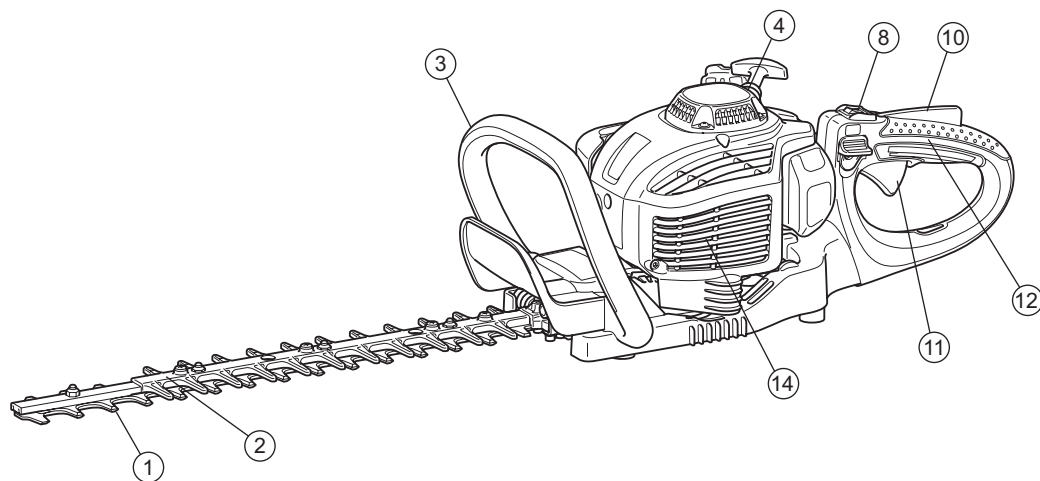
Doar pentru țările europene

Declarația de conformitate CE este inclusă în Anexa A a acestui manual de instrucțiuni.

## DATE TEHNICE

Model		HT-2350D	HT-2360D	HT-2375D		
Dimensiune (L x W x H)	mm	1.014 x 262 x 216	1.119 x 262 x 216	1.259 x 262 x 216		
Greutate (fără capacul pânzei)	kg	4,8	5,0	5,2		
Volum (rezervor de carburant)	L	0,4				
Capacitate cilindrică motor	cm <sup>3</sup>	22,2				
Lungime de tăiere	mm	483	588	728		
Performanțe maxime motor	kW	0,68				
Curse pe minut	min <sup>-1</sup>	4.270				
Turație la ralanti	min <sup>-1</sup>	3.000				
Turație de cuplare ambreiaj	min <sup>-1</sup>	4.000				
Tip carburator	tip	WALBRO WYL				
Sistem de aprindere	tip	Aprindere electronică				
Bujie	tip	NGK CMR6A				
Distanța dintre electrozi	mm	0,7 - 0,8				
Vibrații conform EN ISO 10517	Mâner pe dreapta	$a_{hv\ eq}$	m/s <sup>2</sup>	2,5	2,7	2,3
		Eroare de măsurare K	m/s <sup>2</sup>	1,3	1,1	1,6
	Mâner pe stânga	$a_{hv\ eq}$	m/s <sup>2</sup>	2,5	2,8	2,3
		Eroare de măsurare K	m/s <sup>2</sup>	1,3	1,1	1,2
Zgomot conform EN ISO 10517	Nivel de presiune acustică	dB (A)	93,0	92,8	93,9	
		Eroare de măsurare K	dB (A)	1,4	2,2	1,2
	Nivel de presiune sonoră	dB (A)	103,0	103,2	103,8	
		Eroare de măsurare K	dB (A)	2,1	1,5	1,3
Raport amestec (combustibil: ulei de motor)	Ulei original de motor în doi timpi DOLMAR	50 : 1				
	Ulei de motor în doi timpi, de altă producție	25 : 1				
Raport de transmisie		9 : 43				

## DENUMIREA PIESELOR



	DENUMIREA PIESELOR		DENUMIREA PIESELOR		DENUMIREA PIESELOR
1	Pânză	7	Carburator (nu este prezentat)	13	Manetă de eliberare
2	Extensie neascuțită	8	Comutator I-O (PORNIT/OPRIT)	14	Tobă de eșapament
3	Mâner frontal	9	Bujie	15	Pompă de pornire
4	Demaror recul	10	Manetă de deblocare	16	Rezervor de carburant
5	Capac rezervor carburant	11	Manetă accelerație	17	Apărătoare pânză
6	Manetă de șoc	12	Mâner posterior		



## Amestec între carburant și ulei

- Motorul mașinii de tuns gardul viu este un motor în doi timpi de înaltă eficiență. Acesta rulează cu un amestec de combustibil și ulei de motor în doi timpi. Motorul este conceput pentru combustibil normal fără plumb, cu o valoare octanică de 91 ROZ.

În cazul în care nu este disponibil astfel de combustibil, puteți utiliza combustibil cu o cifră octanică mai mare. Acesta nu va afecta motorul, dar poate cauza un randament mai redus la operare.

O situație similară poate rezulta din folosirea combustibilului cu plumb.

Pentru obținerea unei funcționări optime a motorului și pentru a proteja sănătatea și mediul, utilizați doar combustibil fără plumb!

- Pentru lubrifierea motorului, utilizați doar ulei de motor în doi timpi (grad de calitate: TSC-3), care este adăugat combustibilului. Motorul a fost conceput pentru utilizare cu ulei de motor în doi timpi DOLMAR și un raport de amestec de doar 50:1 pentru a proteja mediul. În plus, este garantată o durată lungă de viață și o operare fiabilă, cu emisie minimă garantată a gazelor de eșapament. Este absolut esențial să respectați amestecul de 50:1 (ulei de motor în 2 timpi DOLMAR), în caz contrar operarea fiabilă a mașinii de tuns gardul viu nu poate fi garantată.
- Pentru a corecta raportul de amestec:  
Benzină: Ulei de motor în doi timpi specificat = 50 : 1 sau  
Benzină: Ulei de motor în doi timpi, de altă producție = 25 : 1 recomandat

**NOTĂ:** Pentru pregătirea amestecului carburant-ulei, amestecați întreaga cantitate de ulei cu jumătate din carburantul necesar într-o canistră omologată, care îndeplinește sau depășește toate standardele de cod local. Apoi adăugați restul carburantului.

Scuturați bine amestecul înainte de umplerea acestuia în rezervorul mașinii de tuns gardul viu.

Pentru a asigura o funcționare sigură, nu adăugați o cantitate de ulei mai mare decât cea specificată. Acest lucru ar duce doar la o producție mai mare de reziduuri de combustie care vor polua mediul și vor înfunda canalul de evacuare în cilindru și în toba de eșapament. În plus, consumul de combustibil va crește, iar performanța se va reduce.

## Manipularea produselor pe bază de benzină

Este necesară o atenție maximă la manipularea combustibilului. Carburantul poate conține substanțe similare solvenților. Alimentați fie în exterior, fie într-o zonă bine ventilată. Nu inhalați vapori de combustibil și evitați contactul combustibilului sau uleiului cu pielea dumneavoastră.

Dacă pielea dumneavoastră vine în contact cu aceste substanțe în mod repetat și pentru o perioadă lungă de timp, se va descuama.

Pot apărea diferite afecțiuni ale pielii. În plus, este posibil să apară reacții alergice.

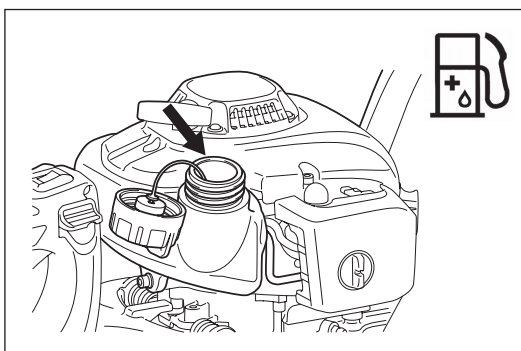
Ochii pot fi iritați ușor în urma contactului cu ulei, combustibil etc.

Dacă uleiul, combustibilul etc. intră în contact cu ochii, spălați-vă imediat cu apă curată.

Dacă ochii vă sunt în continuare iritați, consultați imediat un doctor!



Respectați instrucțiunile de siguranță de la pagina 61.



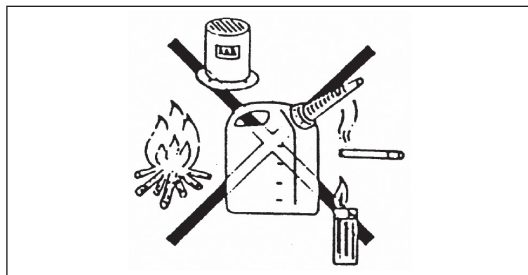
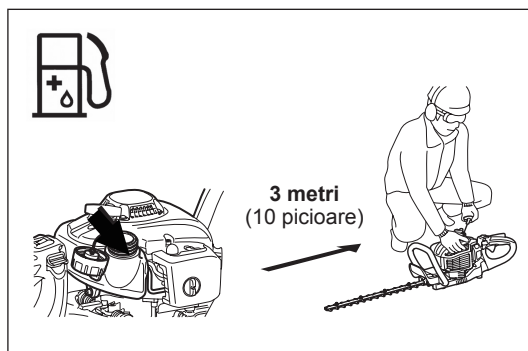
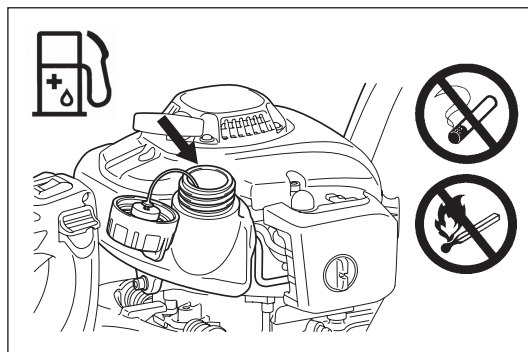
Benzină		Ulei	
	+	50:1	25:1
		50:1	
1.000 cm <sup>3</sup> (1 litru)		20 cm <sup>3</sup>	40 cm <sup>3</sup>
5.000 cm <sup>3</sup> (5 litru)		100 cm <sup>3</sup>	200 cm <sup>3</sup>
10.000 cm <sup>3</sup> (10 litru)		200 cm <sup>3</sup>	400 cm <sup>3</sup>

## Realimentare cu carburant

- Motorul trebuie oprit.
- Opriți motorul în timpul realimentării, nu vă apropiați de flăcări și nu fumați.
- Aveți grijă să nu vărsați carburant sau ulei, pentru a preveni contaminarea solului. Curățați mașina de tuns gardul viu imediat după vărsarea combustibilului.
- Evitați vărsarea combustibilului pe motor. Ștergeți imediat în cazul în care combustibilul este vărsat.
- Evitați orice contact al combustibilului cu îmbrăcămintea dvs. Schimbați-vă hainele imediat dacă s-a vărsat carburant pe ele (pentru a preveni aprinderea hainelor).
- Inspectați bușonul de alimentare cu combustibil în mod regulat asigurându-vă că acesta poate să fie fixat în siguranță și nu are scurgeri de combustibil.
- Strângeți cu grijă bușonul rezervorului de combustibil. Schimbați locația pentru a porni motorul (cel puțin 3 metri distanță de locul realimentării cu combustibil).
- Nu realimentați niciodată în încăperi închise. Vaporii de combustibil se pot acumula la nivelul solului. (Pericol de explozii.)
- Transportați și depozitați combustibilul doar în recipiente aprobate. Asigurați-vă că acest carburant depozitat nu este accesibil copiilor.
- Curățați temeinic zona din jurul bușonului rezervorului pentru a preveni pătrunderea mizeriei în rezervorul de combustibil.
- Deșurubați bușonul și umpleți rezervorul cu combustibil. Utilizați un tifon pentru a filtra combustibilul.
- Strângeți ferm bușonul doar manual.
- Curățați zona din jurul bușonului și rezervorul după reumplere.
- Ștergeți întotdeauna orice urme de combustibil pentru a preveni un incendiu.

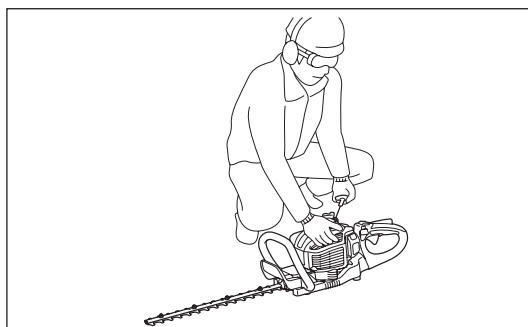
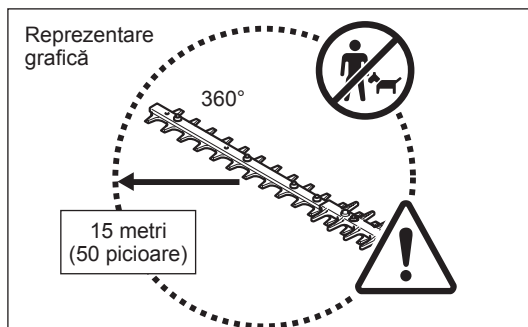
## Depozitarea combustibilului

- Combustibilul nu poate fi depozitat pentru o perioadă nelimitată de timp.
- Achiziționați doar cantitatea necesară pentru perioadă de operare de 4 săptămâni.
- Utilizați doar recipiente de combustibil aprobate.



## MĂSURI DE PRECAUȚIE ÎNAINTEA PORNIRII

- Asigurați-vă că nu se află copii sau alte persoane pe o rază de lucru de 15 metri. De asemenea, aveți grijă să nu fie animale în apropierea zonei de lucru.
- Înaintea operării verificați întotdeauna dacă mașina de tuns gardul viu poate fi operată în siguranță. Verificați dacă dispozitivul de tăiere nu este deteriorat, dacă maneta de control poate fi acționată ușor, precum și funcționarea corectă a comutatorului I-O. Asigurați-vă că pânzele de tăiere nu operează atunci când motorul este la ralanti. Apelați la distribuitorul dvs. pentru reglare dacă aveți îndoieli. Verificați dacă mânerul sunt curate și uscate și testați funcționarea comutatorului I-O.
- Porniți mașina de tuns gardul viu doar conform instrucțiunilor. Nu utilizați nicio altă metodă pentru pornirea motorului. (Consultați Pornirea)
- Porniți motorul doar după finalizarea întregii asamblări. Operarea motorului este permisă doar după ce toate accesoriile adecvate sunt atașate. În caz contrar, există riscul accidentării.
- Înaintea pornirii, asigurați-vă că pânzele de tăiere nu intră în contact cu obiecte precum crengi, pietre, etc.
- Înaintea operațiilor de tăiere, verificați zona pentru identificarea sârmelor, cablurilor, sticlelor sau altor obiecte străine care ar putea intra în contact cu pânda.
- Șoc electric. Țineți cont de toate liniile electrice, precum și de gardurile electrice. Verificați întreaga zonă pentru a identifica liniile electrice înaintea tăierii.



## PORNIREA MAȘINII

Deplasați-vă la distanță de cel puțin 3 m față de locul de realimentare cu combustibil. Amplasați mașina de tuns gardul viu pe o porțiune curată de sol. Asigurați-vă ca pânzele de tăiere să nu intre în contact cu solul sau alte obiecte.

**Pornirea la rece:** (Când motorul este rece sau a fost oprit timp de mai mult de 5 minute sau când este adăugat combustibilul motorului.)

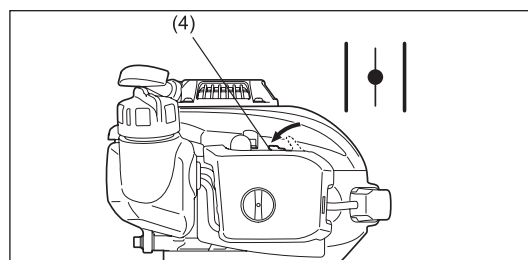
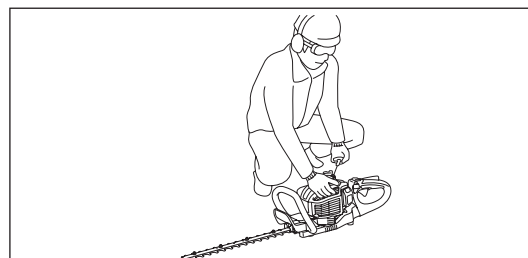
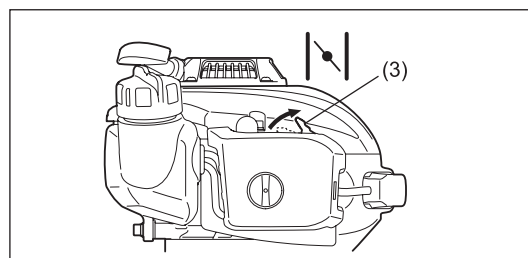
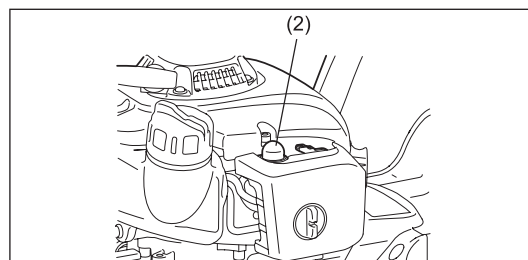
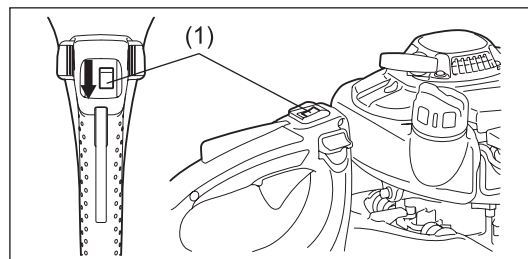
1. Plasați comutatorul I-O (1) în poziția "I".
2. Acționați ușor și repetați pompa de pornire (2) (de 7 - 10 ori) până când combustibilul intră în pompa de pornire.
3. Mutați maneta de șoc (3) în poziția "I".
4. Țineți mașina de tuns gardul viu ferm astfel încât să nu pierdeți controlul în timpul pornirii motorului. În caz contrar, motorul vă poate dezechilibra, iar pânda de tăiere poate intra în contact cu un obiect din apropiere sau cu corpul dumneavoastră.
5. Trageți ușor maneta de pornire 10 - 15 cm până când întâmpinați rezistență.
6. Trageți maneta de pornire cu forță când întâmpinați rezistență și porniți motorul.
7. Când motorul pornește sau pornește și se oprește, readuceți maneta de șoc (4) în poziția "I".
8. Lăsați motorul să funcționeze timp de aproximativ un minut, la turație moderată, înainte de a acționa la maximum clapeta de accelerație.

**Notă:** • Dacă maneta de pornire este trasă în mod repetat atunci când maneta de șoc rămâne în poziția "I", motorul nu va porni ușor din cauza admisiei excesive de combustibil.

• În cazul admisiei excesive de combustibil, scoateți bujia și trageți de mânerul demarorului încet pentru a îndepărta combustibilul în exces. De asemenea, uscați secțiunea electrodului bujiei.

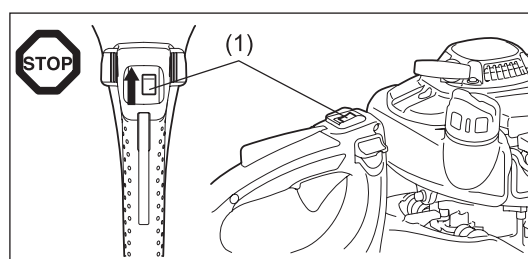
**Pornire la cald:** (Repornire imediat după oprirea motorului) La repornirea unui motor cald, încercați mai întâi procedeu de mai sus: 1, 2, 4, 5, 6 cu maneta de șoc (4) în poziția "I". Dacă motorul nu pornește, repetați pașii 1-8 de mai sus.

**Notă:** Nu trageți la maximum cablul de demaror. Nu permiteți retragerea necontrolată a mânerului de demaror. Asigurați-vă că acesta se retrage ușor.



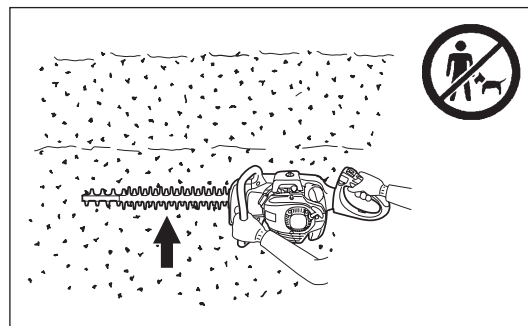
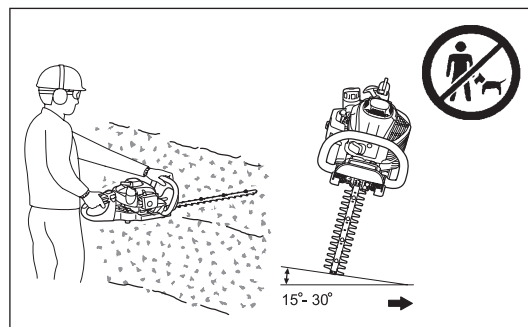
## OPRIREA MAȘINII

1. Eliberați complet maneta de accelerație.
2. Apăsăți comutatorul I-O (1) în poziția "O". Rotația motorului se va reduce, iar motorul se va opri.



## OPERAREA MAȘINII

- Nu operați niciodată mașina de tuns gardul viu fără a ține de mâner.
- Nu atingeți niciodată pânzele de tăiere la pornirea motorului și în timpul operării.
- Folosiți mașina de tuns gardul viu pentru tufișuri astfel încât să evitați inhalarea gazelor de eșapament. Este interzis să porniți motorul în încăperi închise (risc de otrăvire cu gaze). Monoxidul de carbon este un gaz fără miros.
- Toate echipamentele de protecție, precum apărătorile furnizate împreună cu mașina trebuie utilizate în timpul folosirii.
- Nu operați niciodată motorul cu toba de eșapament defectă sau lipsă.
- Utilizați mașina de tuns gardul viu doar în condiții de bună vizibilitate și lumină.
- În timpul sezonului de iarnă fiți atenți la zone alunecoase sau umede, gheață și zăpadă. (Risc de alunecare.) Asigurați întotdeauna un sprijin bun al picioarelor.
- Nu stați pe o scară în timp ce folosiți mașina de tuns gardul viu. Țineți ambele picioare pe sol.
- Este interzis să vă urcați în copaci pentru a efectua operația de tăiere cu mașina de tuns gardul viu.
- Nu lucrați niciodată pe suprafețe instabile.
- Îndepărtați nisipul, pietrele, cuiele etc. găsite în zona de lucru. Obiectele străine pot deteriora pânzele de tăiere.
- Înainte de operația de tăiere, tăiați crengi de 8 mm sau mai groase cu foarfecile de grădină.
- Înainte să începeți tăierea, pânzele de tăiere trebuie să fi atins viteza maximă de lucru.
- Țineți întotdeauna ferm mașina de tuns gardul viu cu ambele mâini pe mânere.
- Prindeți ferm, cu degetele în jurul mânerelor.
- Când eliberați maneta de accelerație, așteptați câteva momente oprirea completă a pânzei.
- Nu utilizați mașina de tuns gardul viu la turație de ralanti ridicată. Viteza de tăiere nu poate fi reglată cu maneta de accelerație în poziția de turație ridicată la ralanti.
- În timpul operației de tăiere, mașina de tuns gardul viu trebuie ținută astfel încât pânzele să formeze un unghi de 15-30° cu linia de tăiere.
- Acordați atenție specială la tăierea unor garduri vii care sunt dispuse de-a lungul unui gard de sârmă și au crescut prin acesta.
- Evitați contactul dintre pânzele de tăiere și obiecte dure, precum garduri din sârmă, pietre sau cu solul. Pânzele se vor fisura, ciobi sau distruge.
- În cazul în care pânzele de tăiere lovesc pietre sau alte obiecte dure, opriți imediat motorul și inspectați pânzele de tăiere. Înlocuiți pânzele deteriorate înainte de a începe lucrul.
- Faceți în mod regulat pauze. DOLMAR recomandă o pauză de 10 - 20 de minute la fiecare 50 de minute de operare.
- Opriți motorul imediat în cazul oricăror probleme de motor.
- Operați mașina de tuns gardul viu cu un nivel cât mai redus de zgomot, poluând aerul cât mai puțin posibil. În special, verificați setarea corectă a carburatorului și a raportului de ulei / combustibil.
- Nu încercați niciodată să eliminați materialele blocate în timp ce pânzele operează. Puneți unitatea jos, opriți-o și apoi eliminați materialele inutile.



## REGLAREA MÂNERULUI UNGHIULUI POSTERIOR

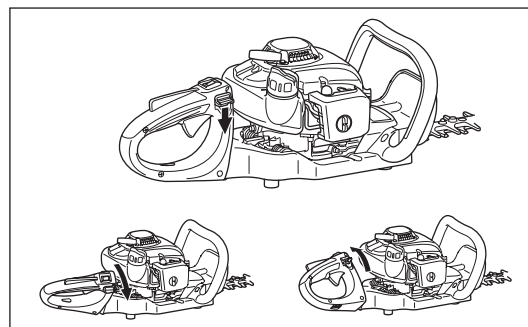
Mânerul posterior poate fi rotit în jos la 90° spre stânga sau dreapta și fixat la 45° în fiecare parte.

Pentru a schimba unghiul:

1. Apăsăți maneta de eliberare pentru a elibera blocajul.
2. Rotiți mânerul la un unghi de 0°, 45° sau 90°.
3. Asigurați-vă că maneta de eliberare revine la poziția originală pentru a cupla blocajul.

Nu trageți maneta de accelerație, în timp ce blocajul este eliberat.

Nu eliberați blocajul în timpul operării.



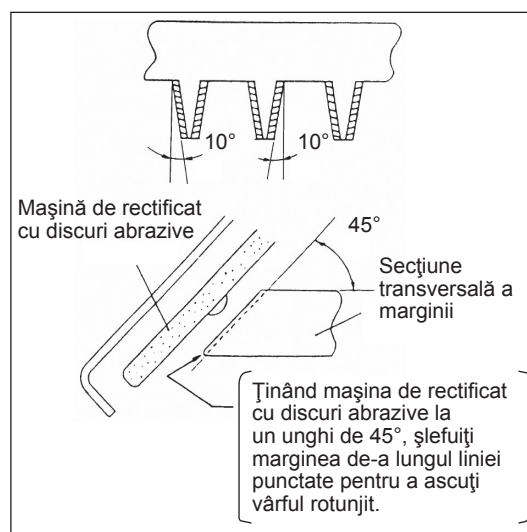
## INSTRUCȚIUNI DE ÎNTREȚINERE

- Opriți motorul și scoateți fișa bujiei atunci când curățați/înlocuiți/ascuțiți pânzele de tăiere sau când efectuați orice operații de întreținere.
- Este interzis să îndreptați sau să sudați pânzele de tăiere deteriorate.
- Verificați frecvent pânzele de tăiere pentru identificarea eventualelor semne de deteriorare, cu motorul oprit.
- Păstrați pânzele de tăiere permanent ascuțite.
- Curățați mașina de tuns gardul viu la intervale regulate și verificați dacă toate șuruburile și piulițele sunt strânse bine.
- Nu efectuați niciodată operații de service ale mașinii de tuns gardul viu în apropierea flăcărilor deschise, pentru a evita incendiile.
- Purtați întotdeauna mănuși din piele la manipularea sau ascuțirea pânzelor, deoarece acestea sunt extrem de ascuțite.

### Ascuțirea pânzei

Dacă marginile sunt rotunde și nu mai efectuează o tăiere corespunzătoare, șlefuiți doar porțiunile umbrite din figură. Nu șlefuiți suprafețele de contact (suprafețele de alunecare) ale marginilor superioare și inferioare.

- Înaintea șlefuirii, asigurați pânza într-o poziție fermă, opriți motorul și demontați capacul bujiei.
- Purtați mănuși, ochelari de protecție, etc.
- Nu eliminați prea mult material. Stratul de rezistență se va desprinde, iar pânzele se vor toci foarte repede în timpul utilizării.



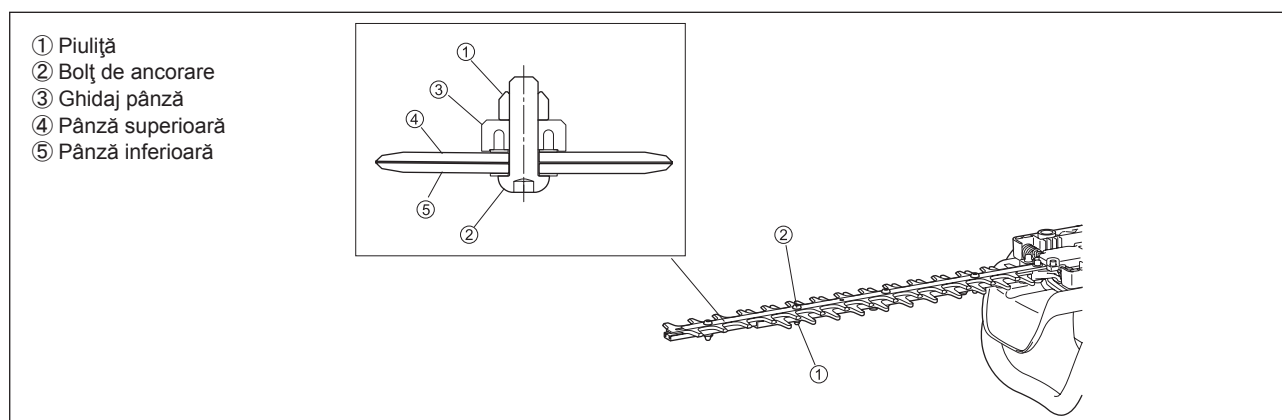
### Reglarea jocului pânzei

Pânza superioară și pânza inferioară se uzează. Dacă nu puteți obține o tăiere corectă, deși pânzele sunt suficient de ascuțite, reglați jocul în modul următor.

1. Îndepărtați extensia neascuțită prin slăbirea șuruburilor.
2. Slăbiți piulița (1) cu o cheie fixă cu cap deschis sau cu o cheie tubulară.
3. Strângeți ușor bolțul de ancorare (2) cu o cheie hexagonală până când se oprește și apoi rotiți înapoi cu o pătrime de rotație.
4. Strângeți piulița (1), ținând bolțul de ancorare (2).
5. Aplicați ulei ușor pe suprafața de fricțiune a pânzelor.
6. Porniți motorul și cuplați și decuplați accelerația timp de un minut.
7. Măsurați timpul necesar pentru oprirea pânzelor după eliberarea manetei de accelerație. Dacă acesta este de două secunde sau mai mult, opriți motorul și repetați pașii 2 - 7.
8. Opriți motorul și atingeți pânzele cu mâna. Dacă acestea nu sunt prea fierbinți pentru a nu putea fi atinse, atunci ați efectuat o reglare corectă. Dacă acestea sunt prea fierbinți pentru a putea fi atinse, atunci deșurubați încă puțin bolțul de ancorare (2) și repetați pașii 6 - 8.
9. Atașați extensia neascuțită strângând șuruburile.

**NOTĂ:** Înainte de efectuarea oricărei reglări, opriți motorul și așteptați oprirea pânzelor.

Pânzele au un slot în jurul șurubului (2). În cazul în care depistați praf în capătul sloturilor, curățați.



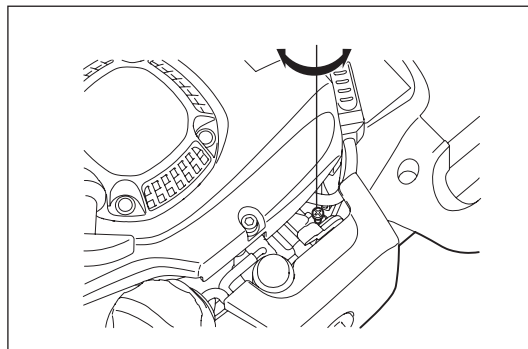
## Verificarea și reglarea turației de ralanti

Pânzele de tăiere nu trebuie să opereze când motorul este la ralanti.

- Turația de ralanti trebuie să fie stabilită la 3.000 min<sup>-1</sup> (rpm).
- Dacă este necesar, reglați șurubul de ralanti (pânzele de tăiere nu trebuie să opereze când motorul este la ralanti).
  - Pânzele de tăiere operează în timpul turației de ralanti - rotiți șurubul de ralanti în sens invers acelor de ceasornic pentru a reduce turația de ralanti.
  - Motorul se oprește în timpul turației de ralanti - rotiți șurubul de ralanti în sensul acelor de ceasornic pentru a mări turația de ralanti.

Dacă în condiții de ralanti pânzele de tăiere continuă să se rotească după reglare, consultați cel mai apropiat agent de service autorizat.

- Ambreiajul trebuie să se cupleze la minim 3.750 min<sup>-1</sup> (rpm) sau la o turație mai ridicată.
- Verificați funcționarea comutatorului I-O, manetei de deblocare și a manetei de accelerație.



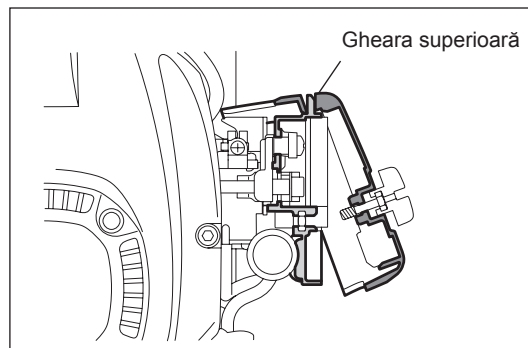
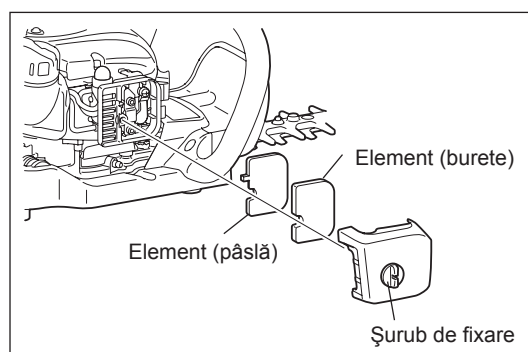
## Curățarea filtrului de aer



### PERICOL: Produsele inflamabile strict interzise

Verificați și curățați filtrul de aer zilnic sau la fiecare 10 ore de operare.

- Rotiți maneta de șoc în partea corespunzătoare poziției complet închis și feriți carburatorul de praf sau murdărie.
- Slăbiți șurubul de fixare.
- Trageți partea posterioară a capacului de filtru de aer și mutați-l în față pentru a-l detașa.
- Dacă uleiul aderă la element (burete), stoarceți-l cu putere.
- Pentru contaminare puternică:
  - 1) Scoateți elementul (burete), introduceți-l în apă caldă sau în detergent neutru diluat cu apă și uscați-l complet.
  - 2) Curățați elementul (pâslă) cu benzină și uscați-l complet.
- Înainte de a atașa elementele, asigurați-vă că s-a uscat complet. Uscarea insuficientă a elementelor poate duce la pornirea dificilă.
- Ștergeți cu o cârpă uleiul din jurul filtrului de aer.
- Imediat după ce curățarea este terminată, atașați capacul filtrului și strângeți-l cu șuruburi de fixare. (La remontare, poziționați mai întâi gheara superioară.)



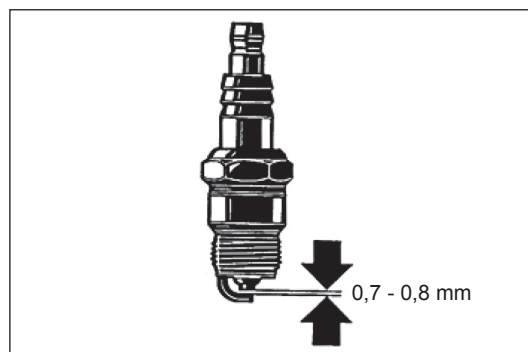
### Aspecte privind manipularea elementelor filtrului de aer

- Curățați elementele de mai multe ori pe zi, dacă praful în exces aderă la acesta.
- Dacă funcționarea continuă cu elementele necurățate de ulei, uleiul din filtrul de aer poate ieși afară, rezultând contaminarea cu ulei.

## Verificarea bujiei

Verificați și curățați bujia zilnic sau la fiecare 8 ore de operare.

- Utilizați doar cheia universală furnizată pentru a scoate sau a instala bujia.
- Distanța dintre cei doi electrozi ai bujiei trebuie să fie între 0,7 și 0,8 mm. Dacă distanța este prea largă sau prea îngustă, reglați-o. Dacă bujia este înfundată cu carbon sau prezintă impurități, curățați-o bine sau înlocuiți-o. Utilizați o bujie de același tip.



## Alimentarea cu unsoare și lubrifiant

- Alimentați cu unsoare prin niplul de ungere la fiecare 50 de ore de operare. (Shell Alvania Nr. 3 sau echivalent)

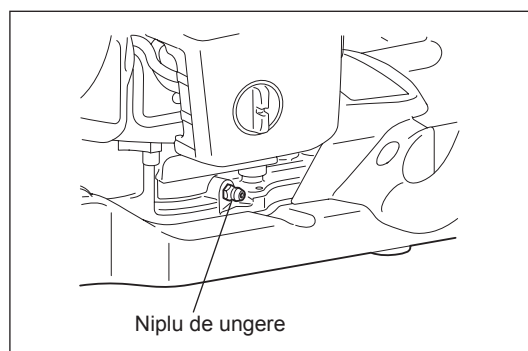
**NOTĂ:** Țineți cont de intervalul de timp specificat și de cantitatea de unsoare. În cazul unei alimentări insuficiente cu unsoare, mașina se poate defecta.

## Curățarea filtrului de combustibil (capul de aspirație din rezervorul de combustibil)

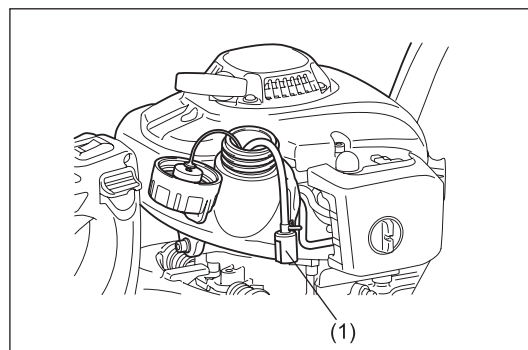
### AVERTISMENT: Produsele inflamabile strict interzise

Verificați și curățați filtrul de combustibil lunar sau la fiecare 50 ore de operare.

- Filtru de combustibil (1) al capului de aspirație este utilizat pentru a filtra combustibilul necesar pentru carburator.
- Verificați vizual, în mod regulat, filtrul de păslă.
- Pentru a verifica filtrul de păslă, deschideți capacul rezervorului, utilizați o clemă de sârmă și trageți afară capul de aspirație prin deschiderea rezervorului. Înlocuiți filtrul de păslă dacă acesta este întărit, a fost contaminat sau este înfundat.
- Înlocuiți filtrul de păslă cel puțin trimestrial, pentru a asigura o alimentare suficientă cu combustibil a carburatorului. În caz contrar, alimentarea insuficientă cu combustibil poate avea ca rezultat pornirea defectuoasă a motorului și depășirea turației maxime admisibile.



Niplu de ungere



(1)

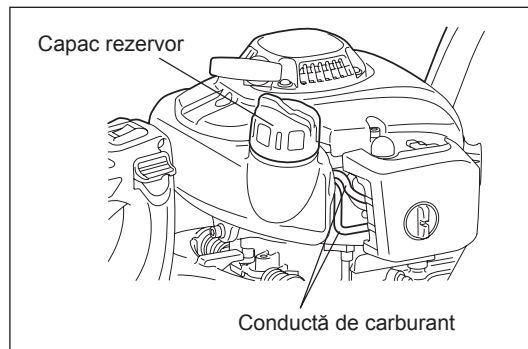
## Înlocuirea conductei de combustibil

### ATENȚIE: Produsele inflamabile strict interzise

Verificați și curățați conducta de combustibil zilnic sau la fiecare 10 ore de operare. Înlocuiți conducta de combustibil la fiecare 200 de ore de operare sau în fiecare an, indiferent de frecvența de folosire. În caz contrar, scurgerea de combustibil poate provoca incendii. Dacă este detectată o scurgere în timpul inspecției, înlocuiți imediat conducta de ulei.

## Înlocuirea capacului rezervorului

- În cazul în care capacul rezervorului prezintă orice defect sau deteriorare, înlocuiți-l.
- Capacul rezervorului se uzează în decursul timpului. Înlocuiți-l la fiecare doi sau trei ani.



Capac rezervor

Conductă de carburant

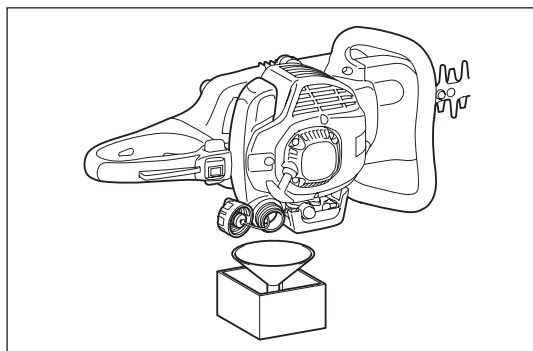
Pentru orice lucrare de întreținere sau reglare care nu este descrisă în acest manual, vă rugăm să contactați centrul local de service autorizat DOLMAR.

## Verificare și întreținere zilnică

Pentru a asigura o durată de funcționare îndelungată și pentru a evita orice deteriorare a echipamentului, următoarele operații de întreținere trebuie efectuate la intervale regulate.

- Înainte de utilizare;
  - Verificați mașina pentru a vedea dacă prezintă șuruburi slăbite sau piese lipsă. Acordați o atenție specială strângerii șuruburilor pânzei de tăiere.
  - Verificați eventuala înfundare a pasajului de aer de răcire și a aripișoarelor cilindrului. Curățați-le dacă este necesar.
  - Curățați și verificați rezervorul de combustibil pentru a identifica eventualele scurgeri de combustibil sau obiecte străine în rezervor.
- După utilizare;
  - Curățați exteriorul mașinii de tuns gardul viu și verificați eventualele urme de uzură.
  - Curățați filtrul de aer. Atunci când lucrați în condiții cu foarte mult praf, curățați filtrul de mai multe ori pe zi.
  - Verificați pânzele pentru uzură și asigurați-vă că acestea sunt montate ferm.

## DEPOZITARE



- Când depozitați mașina pentru o perioadă lungă de timp, goliți combustibilul din rezervorul de combustibil și carburator, în modul următor: Evacuați întreaga cantitate de combustibil din rezervorul de combustibil.
- Scoateți bujia și adăugați câteva picături de ulei de motor prin orificiul bujiei. Apoi, trageți demarorul încet pentru a confirma faptul că pelicula de ulei acoperă interiorul motorului și strângeți bujia.
- Curățați murdăria sau praful de pe pânzele de tăiere din exteriorul motorului, ștergeți cu o cârpă înmuiată în ulei și depozitați mașina într-o locație cât mai uscată posibil.

## PROGRAM DE ÎNTREȚINERE

După fiecare realimentare	Manetă accelerație Comutator I-O	Verificare funcțională Verificare funcțională
Înainte de fiecare utilizare	Ansamblu motor, Șuruburi și piulițe Filtru de aer Conductă aer răcire Dispozitiv de tăiere Turație la ralanti Rezervor de carburant	Verificare vizuală pentru defecte și strângere corectă Verificare a siguranței și stării generale Curățați-l Curățați-l Verificați gradul de ascuțire și eventuale deteriorări Verificare (dispozitivul de tăiere trebuie să rămână imobil) Verificați și curățați
La fiecare 50 de ore	Carcasă angrenaj	Alimentare cu unsoare
Săptămânal	Bujie	Verificați și înlocuiți dacă este necesar
Anual	Conductă de carburant	Înlocuiți-o
De două ori pe an	Capac rezervor	Înlocuiți-o
Înainte de depozitarea pe termen lung	Rezervor de carburant Carburator Cap de aspirație	Goliți și curățați Operați până la consumarea totală a combustibilului Înlocuiți-o

## LOCAȚIE DEFECT

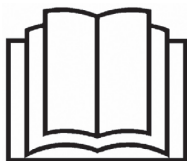
Defect	Sistem	Observații	Cauză
Motorul nu pornește sau pornește cu dificultate	Sistem de aprindere	Scânteie de aprindere prezentă	Defecțiune în sistemul de alimentare cu combustibil sau de compresie, defect mecanic
		Nu există scânteie de aprindere	Comutator I-O acționat, defect de cablaj sau scurtcircuit, bujie sau fișă defectă, modul de aprindere defect
	Alimentare cu carburant	Rezervorul de carburant este plin	Poziție incorectă a manetei de șoc, carburator defect, cap de aspirație (filtru conductă de gaz) murdar, linie de alimentare îndoită sau întreruptă
		Compresie	Interiorul motorului
	Exteriorul motorului		Etanșare incorectă a bujiei
Probleme de pornire la cald	Defecțiune mecanică	Demarorul nu cuplează	Arc demaror rupt, piese defecte în interiorul motorului
		Rezervor plin, scânteie de aprindere existentă	Carburator contaminat, curățați-l
Motorul pornește, dar se oprește imediat	Alimentare cu carburant	Rezervor plin	Reglare incorectă a turației de ralanti, cap de aspirație sau carburator contaminate
			Orificiu de ventilare rezervor de combustibil defect, conductă de alimentare cu combustibil întreruptă, cablu sau comutator I-O defect
Performanțe insuficiente	Mai multe sisteme pot fi afectate simultan	Motor la ralanti	Filtru de aer contaminat, carburator contaminat, tobă de eșapament înfundată, conductă de evacuare din cilindru înfundată



Ďakujeme, že ste si vybrali nožnice na živý plot značky DOLMAR. S potešením vám odporúčame nožnice na živý plot značky DOLMAR, ktoré sú výsledkom dlhodobého programu vývoja a mnohých rokov znalostí a skúseností.

Modely nožníc na živý plot HT-2350D, HT-2360D a HT-2375D kombinujú výhody najmodernejšej technológie s ergonomickým dizajnom; sú ľahké, praktické kompaktné a predstavujú profesionálne zariadenie pre veľký rozsah aplikácií.

**Prečítajte si prosím, pochopte a dodržiavajte informácie v tejto brožúre, ktorá sa podrobne odvoláva na rôzne body, ktoré demonštrujú vynikajúci výkon výrobku. Pomôže vám bezpečne dosiahnuť najlepšie možné výsledky pri práci s nožnicami na živý plot značky DOLMAR.**



Obsah	Strana
Symbole.....	73
Bezpečnostné pokyny .....	74
Technické údaje.....	77
Označenie súčastí.....	78
Palivá/plnenie paliva.....	79
Bezpečnostné opatrenia pred spustením.....	80
Spustenie strojného zariadenia .....	81
Zastavenie strojného zariadenia.....	81
Prevádzka strojného zariadenia .....	82
Nastavenie uhla zadnej rukoväti.....	82
Pokyny pre údržbu.....	83
Uskladnenie.....	86
Harmonogram údržby.....	86
Identifikácia chýb.....	86

## SYMBOLY

Pri čítaní tohto návodu na obsluhu je veľmi dôležité pochopiť význam nasledujúcich symbolov.

	VÝSTRAHA/NEBEZPEČENSTVO		Zmes oleja a paliva
	Prečítajte si, pochopte a dodržiavajte Návod na obsluhu		Manuálne spustenie motora
	Zakázané		Núdzové zastavenie
	Zákaz fajčenia		Prvá pomoc
	Nemanipulujte s otvoreným ohňom		Recyklácia
	Je nevyhnutné používať ochranné rukavice		
	Zabráňte tomu, aby sa v oblasti používania náradia vyskytovali osoby alebo zvieratá		ZAP./ŠTART
	Nosenie prilby, ochrany očí a uší!		VYP./STOP
			Označenie CE

## BEZPEČNOSTNÉ POKYNY

### Všeobecné pokyny

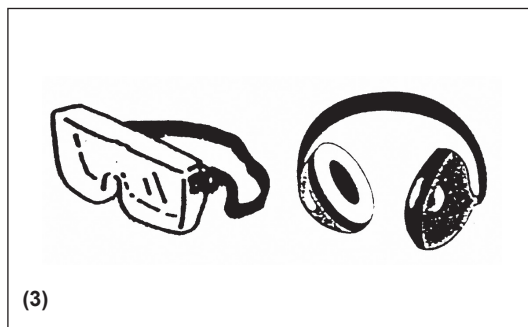
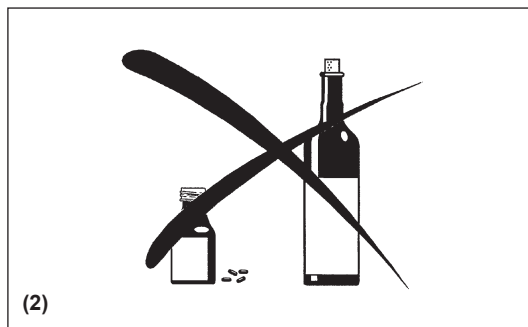
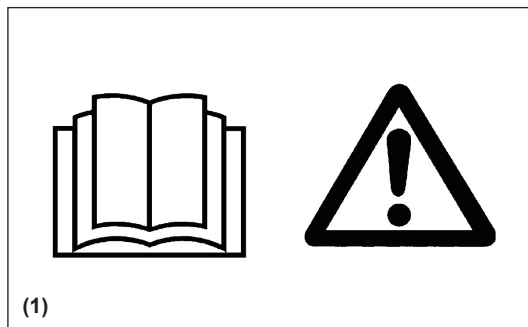
- STROJNÉ ZARIADENIE MÔŽE SPÔSOBIŤ VÁŽNE PORANENIA. Pokyny si dôkladne prečítajte, a to kvôli správnej manipulácii, príprave, údržbe, spusteniu a zastaveniu strojného zariadenia. Oboznámte sa s ovládačmi a správnym používaním strojného zariadenia. (1)
- Odporúča sa, aby ste nožnice na živý plot požičovali iba osobám, ktoré majú skúsenosti s používaním nožníc na živý plot. Vždy odovzdajte aj návod na obsluhu.
- Prvoužívateľia by mali predajcu požiadať o základné pokyny, aby sa oboznámili s manipuláciou s motorom poháňanými nožnicami na živý plot.
- Deťom a osobám mladším ako 18 rokov nie je povolené obsluhovať tieto nožnice na živý plot. Aj napriek tomu, osoby staršie ako 16 rokov smú náradie používať, a to iba pokiaľ boli zaškolené a činnosť vykonávajú pod dozorom kvalifikovaného školiteľa.
- Nožnice na živý plot používajte s maximálnou opatrnosťou a pozornosťou.
- S nožnicami na živý plot pracujte, len ak ste v dobrom fyzickom stave. Všetky úkony vykonávajte pokojne a opatrne. Používateľ musí prevziať zodpovednosť za ostatných.
- Nožnice na živý plot nikdy nepoužívajte po požití alkoholu alebo liekov, alebo pokiaľ sa cítite unavení alebo chorí. (2)

### Určené použitie zariadenia

- Nožnice na živý plot boli navrhnuté jedine na účel strihania kríkov a živých plotov a nesmú sa používať na žiadny iný účel. S nožnicami na živý plot manipulujte správne.

### Osobné ochranné pomôcky

- Používaný odev by mal byť funkčný a vhodný, t.j. mal by byť utiahnutý, avšak nemal by spôsobovať blokovanie pohybu. Nenoste šperky ani voľné oblečenie, ktoré by sa mohli zamotať do kríkov, konárov alebo strojného zariadenia.
- Aby nedošlo k poraneniu očí, rúk alebo nôh, ako aj na ochranu sluchu je nevyhnutné pri práci s nožnicami na živý plot používať nasledujúce ochranné pomôcky a ochranné odevy.
- Počas prevádzky nožníc na živý plot vždy používajte ochranné okuliare alebo chrániadlo s cieľom zabrániť poraneniám očí. (3)
- Používajte primerané vybavenie na ochranu pred hlukom, klapky na uši, vložky do uší a pod., a to aby ste zabránili poškodeniu sluchu. (3)
- Dôrazne odporúčame, aby používatelia používali pracovné kombinézy. (4)
- Ochranné rukavice z hrubej kože sú súčasťou predpísaného vybavenia a musia sa používať pri každej práci s nožnicami na živý plot. (4)
- Pri práci s nožnicami na živý plot vždy používajte pevnú obuv s nekĺzavou podrážkou. Takáto obuv chráni pred poraneniami a zabezpečuje dobrý postoj. (4)



## Spustenie nožníc na živý plot

- Presvedčte sa, že v rámci pracovného dosahu 15 metrov (5) sa nenachádzajú deti alebo ľudia, a taktiež dávajte pozor na zvieratá nachádzajúce sa v okolí pracoviska.
- Pred prevádzkou vždy skontrolujte, že nožnice na živý plot sú na používanie bezpečné.
- Skontrolujte bezpečnosť páčky škrtiacej klapky. Skontrolujte, či sa páčka škrtiacej klapky ľahko a jednoducho pohybuje. Skontrolujte správne fungovanie poistky páčky škrtiacej klapky. Zabezpečte, aby boli rukoväti čisté a suché a skontrolujte funkciu vypínača I-O. Ruky si vždy očistite od zvyškov oleja a paliva.

Nožnice na živý plot spúšťajte jedine v súlade s týmito pokynmi.

### Nepoužívajte žiadny iný spôsob naštartovania motora (6)!

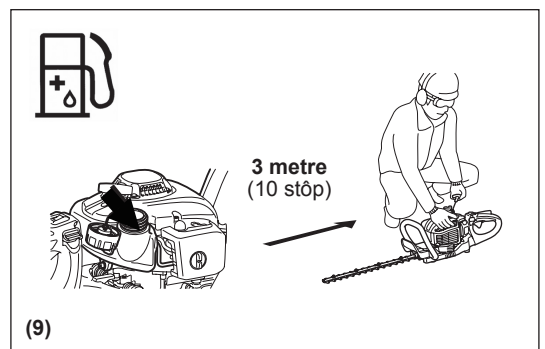
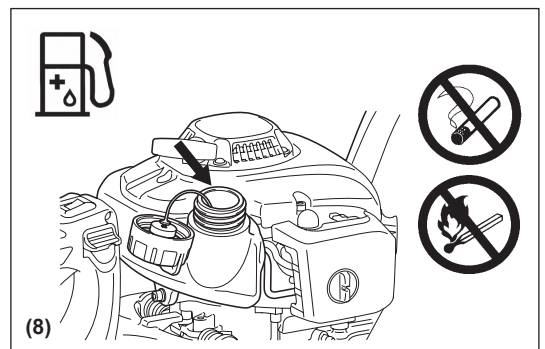
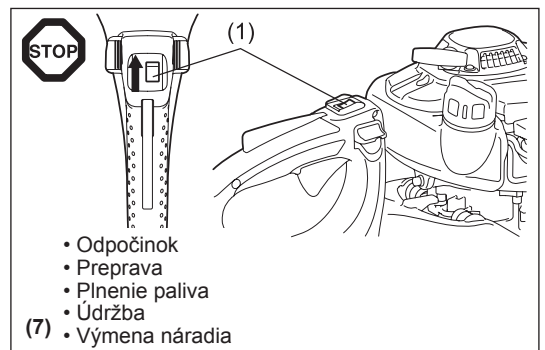
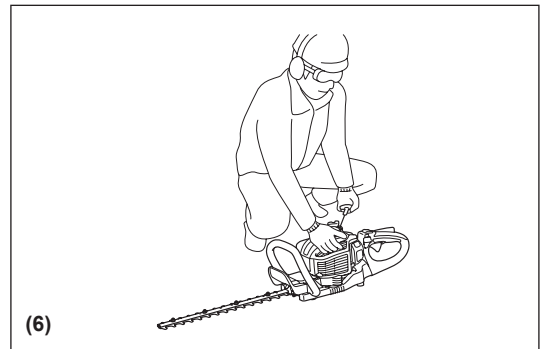
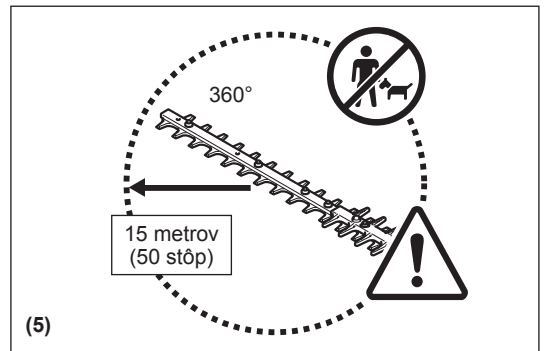
- Nožnice na živý plot používajte jedine na uvedené aplikácie.
- Motor nožníc na živý plot naštartujte jedine po vykonaní kompletnej montáže. Prevádzka nožníc na živý plot je dovolená jedine po namontovaní všetkých patričných doplnkov a príslušenstva!
- Pred spustením sa presvedčte, že rezná čepeľ nie je v styku so žiadnymi predmetmi, ako sú vetvy, kamene a pod.
- Ak má motor akékoľvek problémy, motor okamžite zastavte.
- Počas prevádzky držte prednú aj zadnú rukoväť pevne tak, že prsty oviniete okolo rukovätí. Rukoväti uchovávajte v čistote a pozbavené vlhkosti, živice, oleja alebo maziva.

### Vždy zachovávajte bezpečný a vyrovnaný postoj.

- Používajte iba vonku.
- Vždy pozorujte okolie a dávajte pozor na možné nebezpečenstvá, ktoré nemusíte počuť kvôli hluku strojného zariadenia.
- Nožnice na živý plot prevádzkujte takým spôsobom, aby ste zabránili vdychnutiu výfukových plynov. Motor nikdy nespúšťajte v uzatvorených miestnostiach (existuje riziko zadusenía a otravy plynom). Oxid uhoľnatý je plynom bez zápachu. Vždy zabezpečte dostatočné vetranie.
- Pri oddychu a pokiaľ nechávate nožnice na živý plot bez dozoru, vypnite motor. Umiestnite na bezpečné miesto, aby ste zabránili ohrozeniu ostatných, aby ste zabránili vznieteniu horľavých materiálov alebo poškodeniu strojného zariadenia.
- Nikdy neukladajte horúce nožnice na živý plot na suchú trávu ani na žiadne iné horľavé materiály.
- Aby ste znížili riziko vzniku požiaru, z motora a tlmíča odstraňujte úlomky, lístie a prebytočné mazivo.
- Motor nikdy neprevádzkujte v prípade chybného tlmíča výfuku.
- Počas prepravy motor zastavte (7).
- Motor zastavte pred:
  - Vyčistením zablokovania;
  - Kontrolou, údržbou alebo vykonávaním práce na strojnom zariadení.
- Aby ste počas prepravy autom alebo nákladným vozidlom zabránili unikaniu paliva, nožnice na živý plot umiestnite v bezpečnej polohe.
- Pri preprave nožníc na živý plot palivovú nádrž úplne vyprázdňte, aby ste takto zabránili unikaniu paliva.
- Počas prepravy alebo pri uskladnení strojného zariadenia vždy namontujte chránič rezného zariadenia.

## Plnenie paliva

- Pred plnením paliva zastavte motor (7), činnosť vykonávajte v dostatočnej vzdialenosti od otvoreného ohňa (8) a nefajčíte.
- Nepokúšajte sa plniť horúci alebo bežiaci motor.
- Zabráňte styku pokožky s ropnými produktmi. Palivové výpary nevdychujte. Pri dopĺňaní paliva vždy používajte ochranné rukavice. Ochranný odev vymieňajte a čistite v pravidelných intervaloch.
- Dávajte pozor, aby ste nerozliali palivo alebo olej a predišli tak kontaminácii pôdy (ochrana životného prostredia). Po rozliatí paliva nožnice na živý plot okamžite utrite. Pred zneškodnením tkaniny, ktorými ste utierali rozliate palivo nechajte vyschnúť v dobre vetranej miestnosti. V opačnom prípade môže dôjsť k náhlemu vznieteniu.
- Zabráňte akémukoľvek kontaktu paliva s vaším odevom. Pokiaľ sa na odev rozlialo palivo, odev okamžite vymeňte (riziko nebezpečenstva).
- Uzáver palivovej nádrže pravidelne kontrolujte, aby ste sa presvedčili, že je bezpečne utiahnutý.
- Uzáver palivovej nádrže dôkladne utiahnite. Ak chcete naštartovať motor, zmeňte miesto (aspoň 3 metre od miesta plnenia paliva) (9).
- Nikdy nedopĺňajte palivo v uzatvorených miestnostiach. Palivové výpary sa hromadia na úrovni zeme (riziko výbuchu).
- Palivo prepravujte a uskladňujte jedine v schválených typoch nádob. Zabezpečte, aby sa k uskladnenému palivu nedostali deti.
- Pri miešaní benzínu s motorovým olejom pre dvojtaktné motory používajte jedine benzín, ktorý obsahuje etanol alebo metanol (typy alkoholov). Tým predídete poškodeniu palivových vedení a iných častí motora.



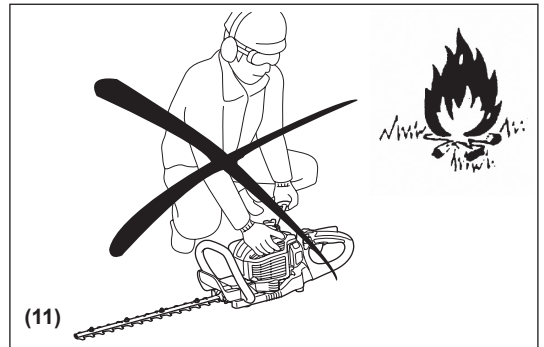
## Spôsob prevádzky

- Počas prevádzky vždy obidvoma rukami uchopíte obidve rukoväti.
- Nožnice na živý plot používajte jedine pri dobrom osvetlení a viditeľnosti. Počas chladných období dávajte pozor na klzké alebo mokré plochy, ľad a sneh (riziko pošmyknutia). Vždy zachovávajte bezpečný postoj.
- Nikdy nepracujte na nestabilných povrchoch ani na strmom teréne.
- Nožnice na živý plot nikdy nespúšťajte stojac na rebríku.
- Nikdy nelezte na stromy s cieľom vykonať činnosť s nožnicami na živý plot.
- Aby ste znížili riziko zakopnutia a straty ovládania, nechodte pri používaní strojného zariadenia dozadu.
- Pred čistením alebo vykonávaním servisu na jednotke, alebo pred výmenou súčastí vypnite motor.
- Strojné zariadenie neprevádzkujte s poškodeným alebo nadmerne opotrebovaným rezným zariadením.



## Pokyny ohľadne údržby

- Chráňte životné prostredie. Nožnice na živý plot prevádzkujte pri najnižších možných úrovniach hluku a znečisťovania. Dôležitá je kontrola správneho nastavenia karburátora.
- Nožnice na živý plot čistíte v pravidelných intervaloch a skontrolujte, či sú všetky skrutky a matice bezpečne utiahnuté.
- Nožnice na živý plot nikdy neopravujte ani neskladujte v blízkosti otvoreného plameňa, výskytu iskier a pod. (11).
- Pred uskladnením nožíc na živý plot vyprázdňte palivovú nádrž.
- Nožnice na živý plot nikdy neskladujte v blízkosti otvoreného plameňa aby ste predišli požiaru.
- Nožnice na živý plot skladujte na dobre vetranom, vyvýšenom alebo uzamknutom mieste mimo dosahu detí.
- Strojné zariadenie sa nepokúšajte opraviť, pokiaľ no to nie ste kvalifikovanou osobou.



**Sledujte a dodržiavajte všetky patričné pokyny ohľadne prevencie nehôd vydávané bezpečnostnými komisiami obchodných asociácií a poisťovacími spoločnosťami.**

**Nerealizujte žiadne úpravy nožíc na živý plot, pretože ohrozíte svoju vlastnú bezpečnosť.**

Vykonávanie činností súvisiacich s údržbou alebo opravou zo strany používateľa je obmedzené na tie aktivity, ktoré sú popísané v návode na obsluhu. Všetky ostatné činnosti sme vykonávať iba oprávnený servisný zástupca.

Používajte jedine originálne náhradné diely dodávané autorizovanými alebo továrenskými servisnými strediskami spoločnosti DOLMAR.

Používanie neschváleného príslušenstva a náradia predstavuje zvýšené riziko nehôd a poranení. Spoločnosť DOLMAR neprevezme žiadnu zodpovednosť za nehody alebo poškodenia v dôsledku používania neschváleného príslušenstva.

## Prvá pomoc

Pre prípad nehody zabezpečte, aby ste v okolí vykonávania rezu mali k dispozícii dobre vybavenú lekárničku prvej pomoci podľa normy DIN 13164. Všetky použité položky z lekárničky prvej pomoci ihneď doplňte.

**Pri žiadosti o poskytnutie pomoci poskytnite nasledujúce informácie:**

- Miesto nehody
- Čo sa stalo
- Počet zranených osôb
- Rozsah poranení
- Vaše meno



## Balenie

Nožnice na živý plot značky DOLMAR sa dodávajú v ochrannej kartónovej škatuli, ktorá ich počas expedície chráni pred poškodením. Kartón je základná surovina a je následne znovu použiteľný alebo vhodný na recykláciu (recykláciu odpadového papiera).



## VYHLÁSENIE O ZHODE SO SMERNICAMI EURÓPSKEHO SPOLOČENSTVA

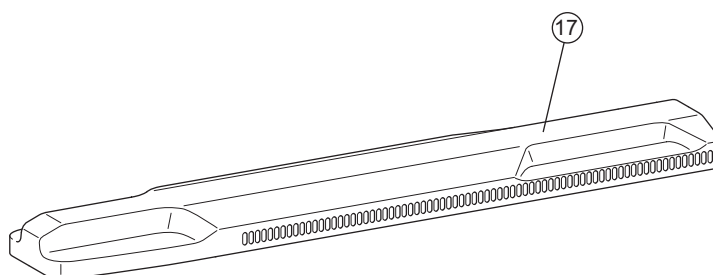
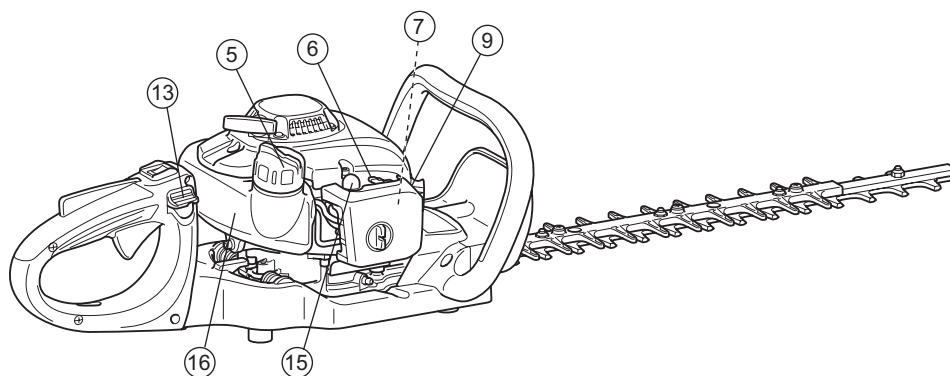
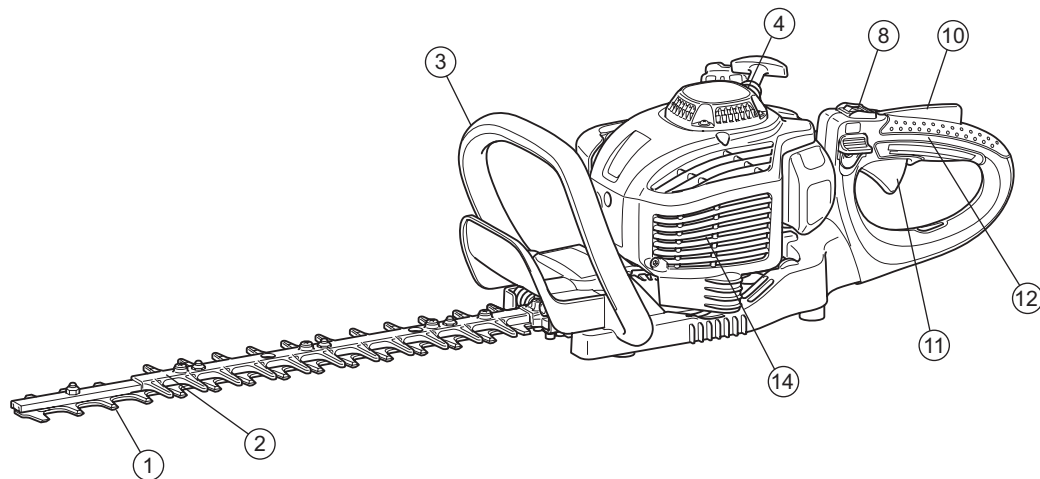
Len pre európske krajiny

Vyhlásenie o zhode so smernicami Európskeho spoločenstva je súčasťou prílohy A tohto návodu na obsluhu.

### TECHNICKÉ ÚDAJE

Model			HT-2350D	HT-2360D	HT-2375D	
Rozmery (D x Š x V)	mm		1014 x 262 x 216	1119 x 262 x 216	1259 x 262 x 216	
Hmotnosť (bez krytu čepele)	kg		4,8	5,0	5,2	
Objem (palivovej nádrže)	l		0,4			
Zdvihový objem motora	cm <sup>3</sup>		22,2			
Rezná dĺžka	mm		483	588	728	
Maximálny výkon motora	kW		0,68			
Rázy za minútu	min <sup>-1</sup>		4270			
Voľnobežné otáčky	min <sup>-1</sup>		3000			
Otáčky pri zaradení spojky	min <sup>-1</sup>		4000			
Typ karburátora	typ		WALBRO WYL			
Systém zapalovania	typ		Zapaľovanie v pevnej fáze			
Zapaľovacia sviečka	typ		NGK CMR6A			
Medzera medzi elektródami	mm		0,7 - 0,8			
Vibrácie podľa normy EN ISO 10517	Pravá rukoväť	$a_{nv\ eq}$	m/s <sup>2</sup>	2,5	2,7	2,3
		Odchýlka K	m/s <sup>2</sup>	1,3	1,1	1,6
	Ľavá rukoväť	$a_{nv\ eq}$	m/s <sup>2</sup>	2,5	2,8	2,3
		Odchýlka K	m/s <sup>2</sup>	1,3	1,1	1,2
Hluk podľa EN ISO 10517	Úroveň akustického tlaku		dB (A)	93,0	92,8	93,9
		Odchýlka K	dB (A)	1,4	2,2	1,2
	Úroveň akustického výkonu		dB (A)	103,0	103,2	103,8
		Odchýlka K	dB (A)	2,1	1,5	1,3
Zmesový pomer (palivo: motorový olej)	Motorový olej pre dvojtaktné motory značky DOLMAR		50 : 1			
	Motorový olej pre dvojtaktné motory od iného výrobcu		25 : 1			
Prevodový pomer			9 : 43			

## OZNAČENIE SÚČASTÍ



	OZNAČENIE SÚČASTÍ		OZNAČENIE SÚČASTÍ		OZNAČENIE SÚČASTÍ
1	Čepel'	7	Karburátor (nie je znázornený)	13	Páčka uvoľnenia
2	Tupé rozšírenie	8	Vypínač I-O (ZAP.-VYP.)	14	Tlmič
3	Predná rukoväť	9	Zapaľovacia sviečka	15	Vstrekovacie čerpadlo
4	Reakčný štartér	10	Páčka odblokovania	16	Palivová nádrž
5	Uzáver palivovej nádrže	11	Páčka škrtiacej klapky	17	Kryt čepele
6	Páčka sýtiča	12	Zadná rukoväť		

## Zmes oleja a paliva

- Motor nožníc na živý plot predstavuje vysoko účinný dvojtaktný motor. Pre svoju činnosť využíva zmes paliva a motorového oleja pre dvojtaktné motory. Motor je navrhnutý na používanie bezolovnatých štandardných palív s minimálnym oktánovým číslom 91 ROZ. V prípade nedostupnosti takéhoto paliva môžete použiť palivo s vyšším oktánovým číslom. Nedôjde k poškodeniu motora, ale môže spôsobovať slabší prevádzkový výkon. Podobné situácie môžu vzniknúť aj pri používaní olovnatého paliva. Aby ste dosiahli optimálnu prevádzku a chránili svoje zdravie a prostredie, mali by ste používať bezolovnaté palivo!
- Motor na mazanie využíva motorový olej pre dvojtaktné motory (kvalitatívny stupeň: TSC-3), ktorý sa pridáva do paliva. Motor bol navrhnutý na používanie v spojení s motorovým olejom pre dvojtaktné motory značky DOLMAR pri pomere miešania iba 50:1 s cieľom chrániť životné prostredie. Okrem toho je garantovaná dlhodobá životnosť a spoľahlivá prevádzka s minimálnym množstvom emisií a výfukových plynov. Je maximálne dôležité dodržiavať pomer miešania 50:1 (motorový olej pre 2-taktné motory značky DOLMAR); v opačnom prípade nemožno garantovať spoľahlivú funkciu nožníc na živý plot.
- Správny pomer miešania:  
Benzín: Špecifikovaný motorový olej pre dvojtaktné motory = 50 : 1 alebo  
Benzín: Motorový olej pre dvojtaktné motory od iného výrobcu = 25 : 1 odporúčaný

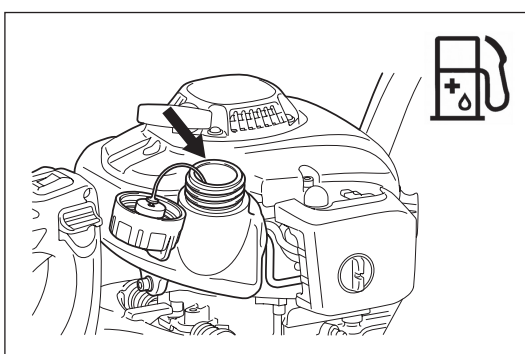
**POZNÁMKA:** Počas prípravy zmesi paliva a oleja najprv v schválenej nádobe, ktorá vyhovuje minimálne všetkým miestnym zákonným normám zmiešajte celý objem oleja s polovičným objemom paliva. Následne pridajte zvyšné palivo. Pred naplnením palivovej nádrže nožníc na živý plot dôkladne zmes pretrepte. Na zaistenie bezpečnej činnosti nepridávajte viac motorového oleja, ako je uvedené. Dôjde iba k vyššej produkcii spalín, ktoré znečistia prostredie a zanesú výfukový kanál valca, ako aj tlmič. Okrem toho sa zvýši spotreba paliva a zníži sa výkon.

## Manipulácia s ropnými výrobkami

Pri manipulácii s palivami sa vyžaduje maximálna opatnosť. Palivá môžu obsahovať látky podobné rozpúšťadlám. Plnenie paliva vykonávajte v dobre vetranej miestnosti alebo vonku. Palivové výpary nevdychujte a zabráňte kontaktu paliva alebo oleja s pokožkou. Ak sa vaša pokožka dlhšiu dobu opakovane dostane do kontaktu s týmito látkami, vysuší sa. Výsledkom môžu byť rôzne kožné choroby. Okrem toho je známe, že vznikajú alergické reakcie. Oči sa po kontakte s olejom, palivom a pod. môžu podráždiť. Ak sa olej, palivo a pod. dostane do očí, ihneď ich vypláchnite čistou vodou. Ak oči zostanú podráždené, okamžite navštívte lekára!



Dodržiavajte bezpečnostné pokyny na strane 75.



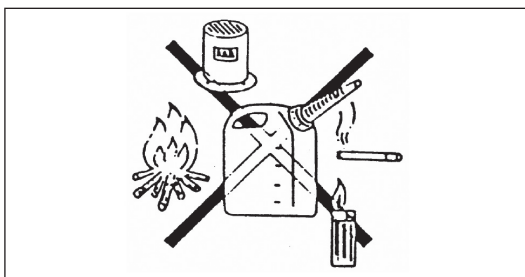
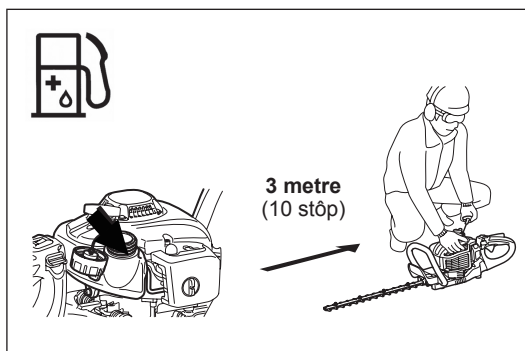
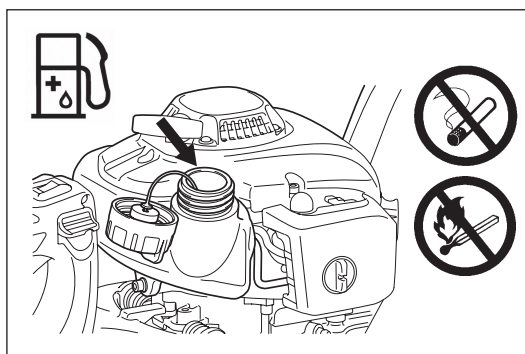
Benzín	Olej
50:1	50:1 25:1
1000 cm <sup>3</sup> (1 liter) 5000 cm <sup>3</sup> (5 litrov) 10000 cm <sup>3</sup> (10 litrov)	20 cm <sup>3</sup> 40 cm <sup>3</sup> 100 cm <sup>3</sup> 200 cm <sup>3</sup> 200 cm <sup>3</sup> 400 cm <sup>3</sup>

## Plnenie paliva

- Motor musí byť vypnutý.
- Počas plnenia paliva vypnite motor, nepribližujte sa k otvoreným plameňom a nefajčíte.
- Dávajte pozor, aby ste nerozliali palivo alebo olej a predišli tak kontaminácii pôdy. Nožnice na živý plot ihneď po rozliatí paliva vyčistite.
- Zabráňte rozliatiu paliva na motor. Ak došlo k rozliatiu paliva, utrite ho.
- Zabráňte akémukoľvek kontaktu paliva s vaším odevom. Ak došlo k rozliatiu paliva na odev, odev okamžite vymeňte (aby ste zabránili vznieteniu odevu).
- Uzáver palivovej nádrže pravidelne kontrolujte, aby ste sa presvedčili, že je bezpečne utiahnutý a neuniká cez neho palivo.
- Uzáver palivovej nádrže dôkladne utiahnite. Ak chcete naštartovať motor, zmeňte miesto (aspoň 3 metre od miesta plnenia paliva).
- Nikdy nedopĺňajte palivo v uzatvorených miestnostiach. Palivové výpary sa zhromažďujú na úrovni podlahy. (Riziko výbuchu.)
- Palivo prepravujte a uskladňujte jedine v schválených typoch nádob. Zabezpečte, aby sa k uskladnenému palivu nedostali deti.
- Dôkladne utrite okolie uzáveru palivovej nádrže, aby ste zabránili vniknutiu špiny do palivovej nádrže.
- Zátku odskrutkujte a naplňte nádrž palivom. Na prefiltrovanie paliva použite lievik s gázou.
- Skrutkovú zátku zaskrutkujte iba rukou.
- Po naplnení paliva vyčistite okolie skrutkovej zátky a nádrže.
- Aby ste predišli požiaru, vždy utrite akékoľvek zvyšky rozliateho paliva.

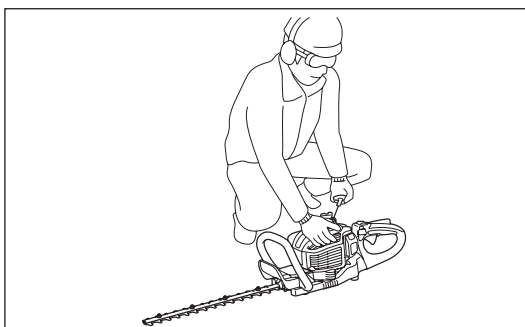
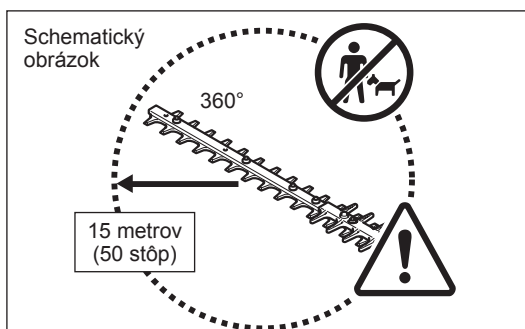
## Skladovanie paliva

- Palivo nemožno skladovať neobmedzene.
- Zakúpte iba objem paliva na obdobie 4 týždňov prevádzky.
- Používajte jedine schválené nádoby na uskladnenie paliva.



## BEZPEČNOSTNÉ OPATRENIA PRED SPUSTENÍM

- Zabezpečte, aby sa v pracovnom dosahu 15 metrov nenachádzali deti a iné osoby. Taktiež dávajte pozor na výskyt zvierat v okolí pracovného priestoru.
- Pred používaním vždy skontrolujte bezpečnosť prevádzky nožníc na živý plot. Skontrolujte, že rezné zariadenie nie je poškodené, skontrolujte jednoduchosť činnosti ovládacej páčky a skontrolujte správne fungovanie vypínača I-O. Skontrolujte, že sa rezné čepele neotáčajú, pokiaľ sú zaradené voľnobežné otáčky. Ak máte pochybnosti, o nastavenie požiadať predajcu. Zabezpečte, aby boli rukoväti čisté a suché a skontrolujte funkciu vypínača I-O.
- Nožnice na živý plot spúšťajte jedine v súlade s týmito pokynmi. Nepoužívajte žiadny iný spôsob naštartovania motora. (Pozrite si časť Spustenie)
- Motor naštartujte jedine po vykonaní kompletnej montáže. Prevádzka motora je dovolená jedine po namontovaní všetkých patričných doplnkov a príslušenstva. V opačnom prípade existuje riziko poranenia.
- Pred spustením sa presvedčte, že rezné čepele nie sú v styku so žiadnymi predmetmi, ako sú vetvy, kamene a pod.
- Pred strihaním skontrolujte plochu z pohľadu výskytu drôtov, káblov, skla a iných cudzích predmetov, ktoré by mohli prísť do kontaktu s čepeľou.
- Zasiahnutie elektrickým prúdom. Dávajte pozor na každé a všetky elektrické vedenia a elektrické ohrady. Pred strihaním skontrolujte všetky plochy na prítomnosť elektrických vedení.





## SPUSTENIE STROJNÉHO ZARIADENIA

Premiestnite sa aspoň 3 metre od miesta plnenia paliva. Nožnice na živý plot položte na čistú plochu alebo na zem. Overte, že rezné čepele sa nedotýkajú zeme ani žiadnych iných predmetov.

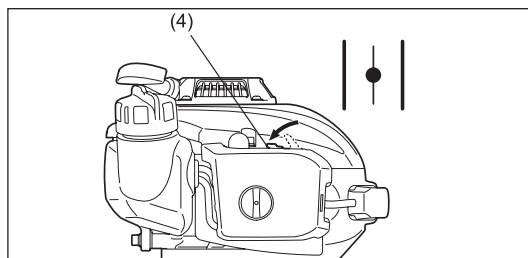
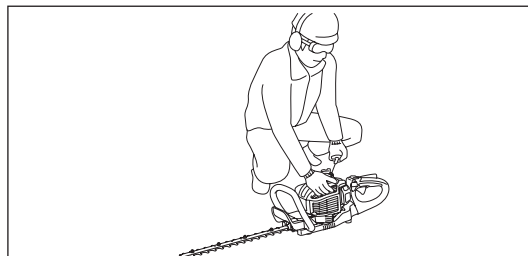
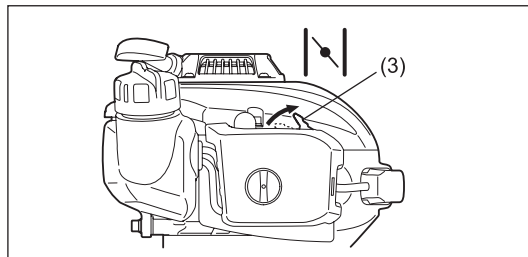
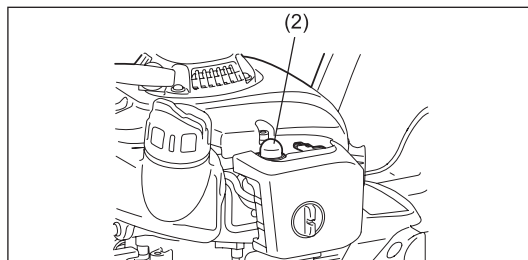
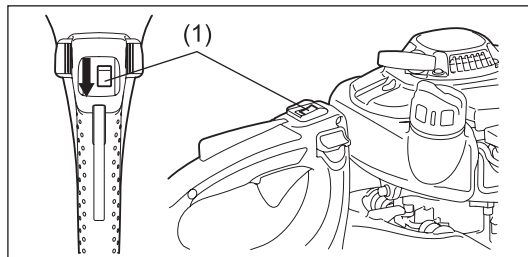
**Studený štart:** (Pokiaľ je motor studený alebo bol zastavený pred viac ako 5 minútami, alebo po pridávaní paliva do motora.)

1. Vypínač I-O (1) stlačte do polohy „I“.
2. Jemne opakovane (7 až 10 krát) stlačte vstrekovacie čerpadlo (2), a to dokiaľ sa palivo nedostane do vstrekovacieho čerpadla.
3. Páčku sýtiča (3) posuňte do polohy „I“.
4. Nožnice na živý plot pevne pridržiavajte aby ste predišli strate ovládania počas spúšťania motora. Opomenutie môže mať za následok vážne poranenie a/alebo poškodenie majetku v dôsledku pádu alebo kontaktu s reznou čepeľou.
5. Rúčku štartéra pomaly potiahnite o 10 až 15 cm, kým nepocítite odpor.
6. Po tom, ako pocítite odpor potiahnite silno rúčku štartéra a motor naštartujte.
7. Keď motor naštartuje alebo sa rozbehne a zastaví sa, vráťte páčku sýtiča (4) do polohy „I“.
8. Motor nechajte bežať asi jednu minútu na nízkych otáčkach a až následne úplne otvorte úplne škrtiacu klapku.

**Poznámka:** • Pokiaľ budete rukoväť štartéra opakovane pot'ahovať počas doby, kedy je páčka sýtiča v polohe „I“, motor ľahko nenaštartuje kvôli nadmernému prívodu paliva.  
• V prípade nadmerného prívodu paliva demontujte zapalovaciu sviečku a pomalým potiahnutím rukoväti štartéra odstráňte nadbytočné palivo. Taktiež vysušte časť elektródy zapalovacej sviečky.

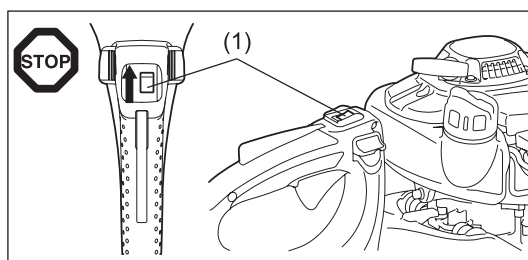
**Teplý štart:** (Opätovné naštartovanie po zastavení motora) Pri opätovnom štartovaní horúceho motora najprv vyskúšajte hore uvedený postup: 1, 2, 4, 5, 6 s páčkou sýtiča (4) v polohe „I“. Pokiaľ sa motor nenaštartuje, zopakujte hore uvedené kroky 1-8.

**Poznámka:** Lanko štartéra nevyťahujte úplne. Nedovoľte aby sa rúčka štartéra zatiahla bez regulovania. Musí sa zatiahnuť pomaly.



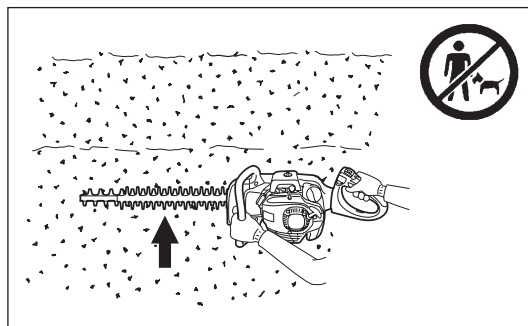
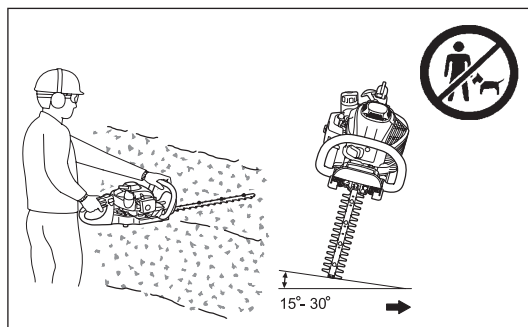
## ZASTAVENIE STROJNÉHO ZARIADENIA

1. Páčku škrtiacej klapky uvoľnite úplne.
2. Vypínač I-O (1) stlačte do polohy „O“. Motor sa spomalí a zastaví sa.



## PREVÁDZKA STROJNÉHO ZARIADENIA

- Nikdy neprevádzkujte nožnice na živý plot s uvoľnenou rúčkou.
- Pri štartovaní motora a počas prevádzky sa nikdy nedotýkajte rezných čepeľí.
- Nožnice na živý plot prevádzkujte takým spôsobom, aby ste zabránili vdychnutiu výfukových plynov. Motor nikdy nespúšťajte v uzatvorených miestnostiach (existuje riziko otravy plynom). Oxid uhoľnatý je plynom bez zápachu.
- Všetky ochranné zariadenia ako je chránič dodávaný so strojným zariadením sa musia počas prevádzky používať.
- Motor nikdy neprevádzkujte s chybným alebo poškodeným tlmičom.
- Nožnice na živý plot používajte jedine pri dobrom osvetlení a viditeľnosti.
- Počas zimného obdobia dávajte pozor na klzké alebo mokré plochy, ľad a sneh. (Riziko pošmyknutia.) Vždy zachovávajte bezpečný postoj.
- Nožnice na živý plot nikdy nespúšťajte stojac na rebríku. Obe nohy musia byť na zemi.
- Nikdy nelezte na stromy s cieľom vykonať činnosť strihania s nožnicami na živý plot.
- Nikdy nepracujte na nestabilnom povrchu.
- Z pracovného dosahu odstráňte piesok, kamene, klince, drôty atď. Cudzie predmety môžu poškodiť reznú čepeľ.
- Pred vykonávaním rezu odrežte prerezávacími nožnicami 8 mm a hrubšie konáre.
- Pred vykonávaním strihania musia rezné čepele dosiahnuť plné prevádzkové otáčky.
- Nožnice na živý plot držte vždy pevne oboma rukami za rukoväti.
- Používajte pevne uchopenie palcami a prstami, pričom nimi obopnite rukoväť.
- Pri uvoľnení škrtiacej klapky trvá zastavenie rezných čepeľí nejakú chvíľu.
- Nožnice na živý plot neprevádzkujte pri vysokých voľnobežných otáčkach. Ak sú voľnobežné otáčky veľmi vysoké, rýchlosť strihania nedokázate pomocou ovládania škrtiacej klapky nastaviť.
- Počas strihania držte nožnice na živý plot tak, aby čepele s líniou strihania vytvárali 15-30° uhol.
- Veľký pozor dávajte počas strihania živých plotov v blízkosti alebo pri drôtených plotoch.
- Reznými čepeľami sa nedotýkajte tvrdých predmetov, ako je drôtený plot, kamene alebo zem. Mohlo by dôjsť k prasknutiu, naštiepeniu alebo rozbitiu čepeľí.
- Pokiaľ rezné čepele narazia na kamene alebo iné tvrdé predmety, okamžite vypnite motor a skontrolujte reznú čepeľ z pohľadu poškodenia. Pre opätovným vykonávaním činnosti reznú čepeľ vymeňte.
- Robte pravidelné prestávky. Spoločnosť DOLMAR odporúča 10 až 20 minútovú prestávku po 50 minútach používania.
- V prípade akéhokoľvek problému s motorom je nutné motor okamžite vypnúť.
- Nožnice na živý plot prevádzkujte pri najnižších možných úrovniach hluku a znečisťovania. Dôkladne skontrolujte správne nastavenie karburátora a pomer palivo/olej.
- Pokiaľ sa čepele pohybujú, nikdy sa nepokúšajte odstrániť zaseknutý odstrihnutý materiál. Jednotku položte na zem, vypnite ju a odrezky vyberte.



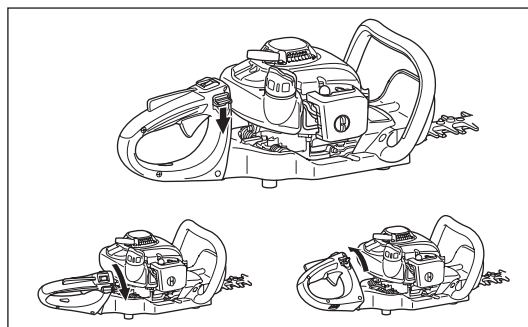
## NASTAVENIE UHLA ZADNEJ RUKOVÄTI

Zadnú rukoväť je možné otočiť o 90° nadol doľava alebo doprava a nastaviť v každom smere na uhol 45°.

Zmena uhla:

1. Stlačte páčku uvoľnenia a uvoľnite poistku.
2. Rukoväť otočte do uhla 0°, 45° alebo 90°.
3. Skontrolujte, že páčka uvoľnenia sa vrátila do pôvodnej polohy a že sa zaradila poistka.

Pokiaľ je poistka uvoľnená, nepotiahnite páčku škrtiacej klapky. Počas prevádzky poistku neuvolňujte.



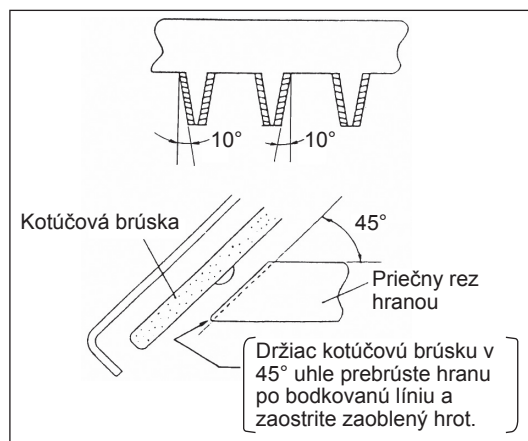
## POKYNY PRE ÚDRŽBU

- Počas čistenia/výmena/ostrenia rezných čepelí alebo vykonávania akejkoľvek údržby vypnite motor a demontujte zapaľovaciu sviečku.
- Poškodenú reznú čepel' nikdy nenarovnávejte ani nezvárajte.
- Rezné čepel' pravidelne pri vypnutom motore kontrolujte z pohľadu poškodenia.
- Zachovávajte naostrenie čepelí.
- Nožnice na živý plot pravidelne čistite a skontrolujte, či sú všetky skrutky a matice bezpečne utiahnuté.
- Servis nožnic na živý plot nikdy nevykonávajte v blízkosti otvoreného plameňa, aby ste predišli požiaru.
- Pri manipulácii alebo ostrení čepel' vždy používajte kožené rukavice, pretože čepel' sú ostré.

### Ostrenie čepel'

Pokiaľ sú hrany oblé a už viac nestrihajú, prebrúste iba na obrázku vyšrafované časti. Nebrúste kontaktné povrchy (posuvné povrchy) hornej a spodnej hrany.

- Pred brúsením pevne čepel' zaistíte, vypnite motor a odpojte kryt zapaľovacej sviečky.
- Používajte rukavice, ochranné okuliare a pod.
- Neodstraňujte veľmi veľa materiálu. Mohlo by dôjsť k odstráneniu tvrdenej vrstvy s dôsledkom rýchleho otupenia čepelí počas používania.



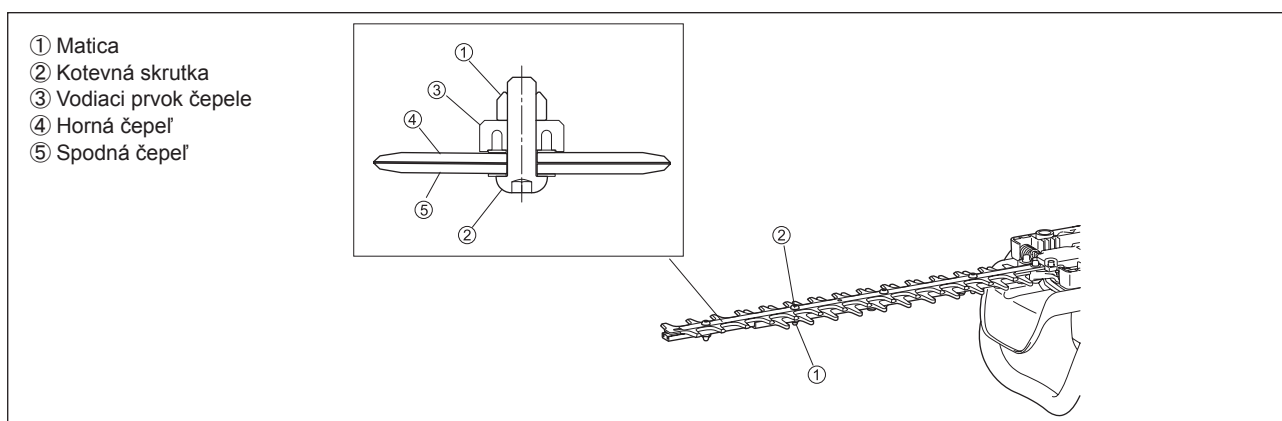
### Nastavenie svetlosti čepelí

Opotrebovanie hornej/dolnej čepel'. Ak nedosahujete čistý rez aj napriek tomu, že sú čepel' dostatočne ostré, podľa nasledujúceho postupu nastavte svetlosť čepelí.

1. Po uvoľnení skrutiek demontujte tupé rozšírenie.
2. Pomocou nástrčkového alebo otvoreného kľúča uvoľnite maticu (1).
3. Pomocou šesťhranného kľúča mierne, dokiaľ sa nezastaví, utiahnite kotevnú skrutku (2) a následne ju otočte naspäť o jednu štvrtinu otáčky.
4. Uťahnite maticu (1), ktorá pridržia kotevnú skrutku (2).
5. Na trecie plochy čepelí naneste ľahký olej.
6. Naštartujte motor a škrtiacu klapku počas jednej minúty otvárajte a zatvárajte.
7. Odmerajte čas potrebný na zastavenie čepelí po uvoľnení škrtiacej klapky. Ak je to viac ako dve sekundy, motor zastavte a zopakujte kroky 2 až 7.
8. Motor zastavte a dotknite sa čepelí. Ak nie sú na dotyk veľmi horúce, nastavenie je správne. Ak sú na dotyk veľmi horúce, otočte trochu naspäť kotevnú skrutku (2) a zopakujte kroky 6 až 8.
9. Namontujte tupé rozšírenie a utiahnite skrutky.

**POZNÁMKA:** Pred vykonaním nastavenia zastavte motor a počkajte, kým sa čepel' nezastavia.

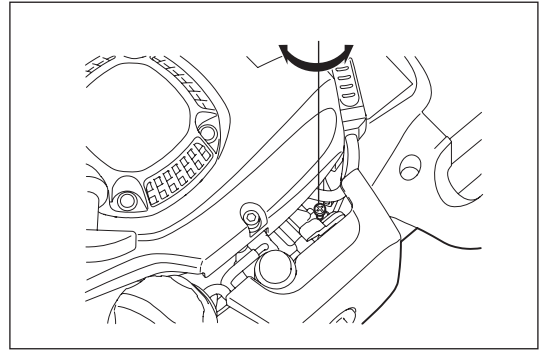
Čepel' majú okolo skrutky štrbinu (2). Pokiaľ nájdete akýkoľvek prach na konci štrbiny, vyčistite ju.



## Kontrola a nastavenie voľnobežných otáčok

Rezné čepele by sa nemali pohybovať, ak motor beží na voľnobežných otáčkach.

- Voľnobežné otáčky by mali byť nastavené na hodnotu  $3000 \text{ min}^{-1}$  (ot./min.).
  - V prípade potreby vykonajte nastavenie pomocou skrutky voľnobehu (rezné čepele sa nesmú otáčať pri voľnobežných otáčkach motora).
    - Rezné čepele sa pri voľnobežných otáčkach otáčajú - otočením skrutky pre nastavenie voľnobehu proti smeru hodinových ručičiek znížite otáčky voľnobehu.
    - Rezné čepele sa pri voľnobežných otáčkach otáčajú - otočením skrutky pre nastavenie voľnobehu v smere hodinových ručičiek zvýšite otáčky voľnobehu.
- Ak sa rezné čepele po nastavení naďalej otáčajú pri voľnobežných otáčkach, poraďte sa s najbližším autorizovaným servisným zástupcom.
- Spojka by a mala zaradiť pri otáčkach minimálne  $3750 \text{ min}^{-1}$  (ot./min).
  - Skontrolujte fungovanie vypínača I-O, páčky odblokovania a páčky škrtiacej klapky.



## Čistenie vzduchového filtra



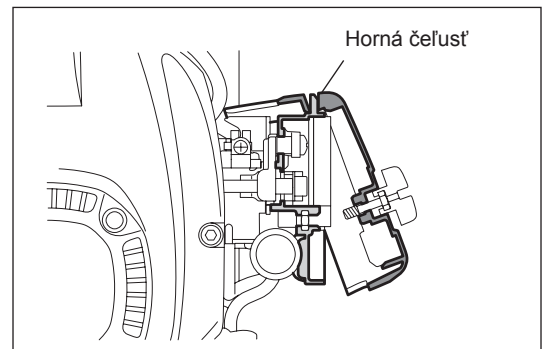
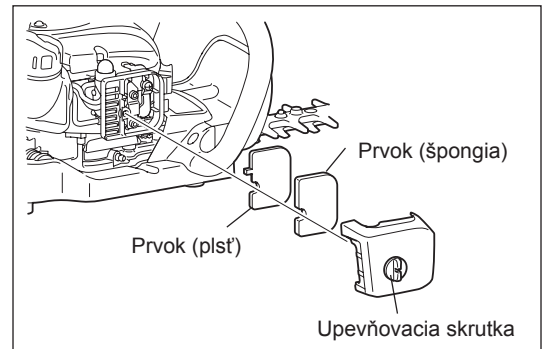
**NEBEZPEČENSTVO: Prítomnosť horľavín je prísne zakázaná**

Vzduchový filter čistite každý deň alebo po uplynutí každých 10 prevádzkových hodín.

- Otočte páčku sýtiča úplne na stranu zatvorenia a zabráňte prístupu prachu a špiny do karburátora.
- Uvoľnite upevňovaciu skrutku.
- Potiahnite zadnú stranu krytu vzduchového filtra a posunutím dopredu ho snímte.
- Pokiaľ sa na prvku (špongia) nachádza olej, silno prvok vytlačte.
- V prípade silného znečistenia:
  - 1) Vyberte prvok (špongia), ponorte ho do teplej vody alebo do vody s pridaním neutrálneho čistiaceho prostriedku a nechajte úplne vyschnúť.
  - 2) Prvok (plst') vyčistite benzínom a nechajte ho úplne vyschnúť.
- Pred osadením prvkov ich nechajte úplne vyschnúť. Nedostatočné vyschnutie prvkov môže viesť k ťažkému naštartovaniu.
- Olej, ktorý priľnul na vzduchový filter utrite nepotrebnou tkaninou.
- Okamžite po vyčistení namontujte kryt vzduchového filtra a utiahnite pomocou upevňovacích skrutiek. (V prípade opätovnej montáže najprv nasadte hornú čelusť.)

### Body ohľadne manipulácie s prvkami vzduchového filtra

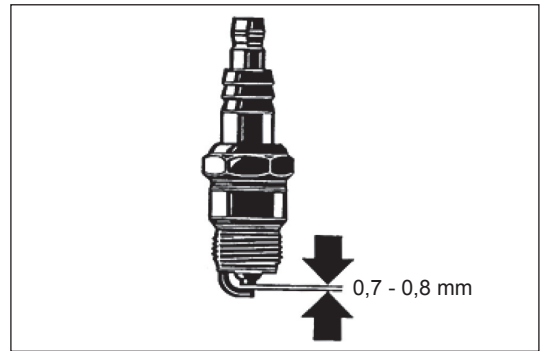
- Prvky v prípade, pokiaľ sa na ne zachytí nadmerné množstvo prachu čistite niekoľkokrát za deň.
- Pokiaľ budete pokračovať v činnosti s prvkami neočistenými od oleja, olej vo vnútri vzduchového filtra sa môže dostať von s následkom znečistenia oleja.



## Kontrola zapalovacej sviečky

Zapalovaciu sviečku čistite každý deň alebo po uplynutí každých 8 prevádzkových hodín.

- Na demontáž a inštaláciu zapalovacej sviečky používajte jedine dodávaný univerzálny kľúč.
- Štrbina medzi dvoma elektródami zapalovacej sviečky by mala byť v rozsahu 0,7 až 0,8 mm. Pokiaľ je štrbina veľmi veľká alebo veľmi malá, nastavte ju. Ak je zapalovacia sviečka zanesená alebo zašpinená, dôkladne ju vyčistite alebo ju vymeňte. Použite rovnakú náhradnú sviečku.



## Dopĺňanie maziva a lubrikantu

- Po uplynutí každých 50 prevádzkových hodín doplňte cez mazacie hrdlo mazivo. (Shell Alvania č. 3 alebo ekvivalentné)

**POZNÁMKA:** Kontrolujte uvedený čas a množstvo maziva.

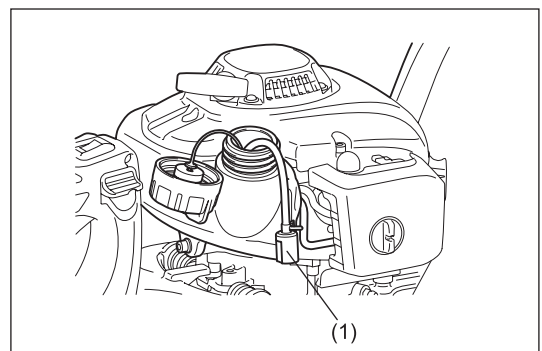
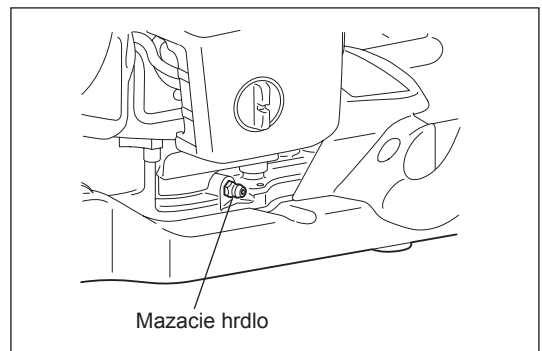
V opačnom prípade nedostatočný prívod maziva spôsobí problémy strojného zariadenia.

## Čistenie palivového filtra (nasávací hlavu v palivovej nádrži)

**VÝSTRAHA:** Prítomnosť horľavín je prísne zakázaná

Palivový filter čistite každý mesiac alebo po uplynutí každých 50 prevádzkových hodín.

- Plstený filter (1) nasávacej hlavy sa používa na filtrovanie paliva, ktoré potrebuje karburátor.
- Pravidelne vizuálne kontrolujte plstený filter.
- Ak chcete plstený filter skontrolovať, otvorte uzáver palivovej nádrže a pomocou drôteného háku vytiahnite nasávaciu hlavu cez otvor nádrže. Ak je plstený filter stvrdnutý, znečistený alebo zanesený, vymeňte ho.
- Plstený filter vymeňte aspoň raz za štvrtrok, aby ste zabezpečili dostatočný prívod paliva do karburátora. V opačnom prípade spôsobí nedostatočný prívod paliva chyby pri naštartovaní motora a dôjde k zníženiu maximálnych otáčok.



## Výmena palivového vedenia

**UPOZORNENIE:** Prítomnosť horľavín je prísne zakázaná

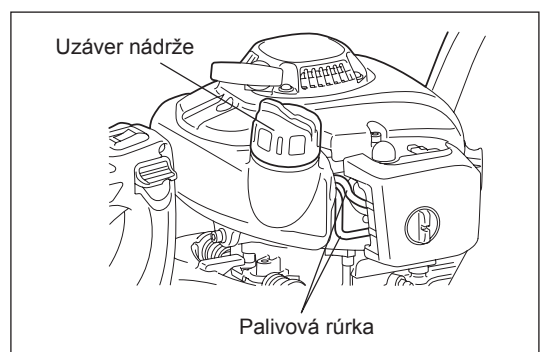
Palivové vedenie čistite každý deň alebo po uplynutí každých 10 prevádzkových hodín.

Palivové vedenie vymeňte po uplynutí každých 200 prevádzkových hodín alebo raz za rok v závislosti na frekvencii používania. V opačnom prípade môže unikanie paliva spôsobiť požiar.

Ak počas kontroly zistíte unikanie paliva, okamžite vymeňte palivové vedenie.

## Výmena uzáveru nádrže

- Ak uzáver palivovej nádrže vykazuje trhliny alebo poškodenie, vymeňte ho.
- Uzáver nádrže sa časom opotrebuje. Vymeňte ho raz za dva alebo tri roky.



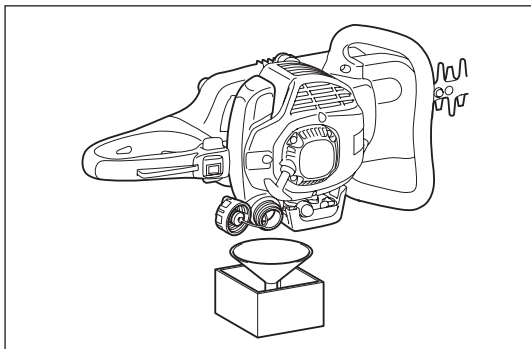
O údržbu alebo nastavenie, ktoré nie sú v tomto návode popísané požiadajte mieste autorizované servisné stredisko spoločnosti DOLMAR.

## Každodenná kontrola a údržba

Aby ste zabezpečili dlhú prevádzkovú životnosť a aby ste zabránili poškodeniu zariadenia, v pravidelných intervaloch je potrebné vykonať nasledujúce servisné činnosti.

- Pred použitím;
  - Skontrolujte strojné zariadenie z pohľadu uvoľnených skrutiek alebo chýbajúcich súčastí. Osobitnú pozornosť venujte utiahnutiu skrutiek reznej čepele.
  - Skontrolujte zanesenie vedenia chladiaceho vzduchu a chladiace rebrá valca. V prípade potreby ich vyčistite.
  - Vyčistite a skontrolujte unikanie z palivovej nádrže, alebo výskyt cudzích predmetov v nádrži.
- Po použití;
  - Nožnice na živý plot skontrolujte zvonka a skontrolujte ich poškodenie.
  - Vyčistite vzduchový filter. Pokiaľ pracujete v silne prašnom prostredí, filter vyčistite niekoľkokrát za deň.
  - Skontrolujte čepele z pohľadu poškodenia a presvedčte sa, že sú pevne namontované.

## USKLADNENIE



- Pokiaľ mienite strojné zariadenie dlhodobo uskladniť, vypustíte palivo z palivovej nádrže a karburátora nasledujúcim spôsobom: Z palivovej nádrže vypustíte všetko palivo.
- Demontujete zapaľovaciu sviečku a do otvoru zapaľovacej sviečky nakvapkajte niekoľko kvapiek oleja. Následne mierne potiahnite štartér a skontrolujte, že olejový povlak je nanosený vo vnútri motora a zapaľovaciu sviečku utiahnite.
- Očistíte špinu a prach z reznej čepele a vonkajšej strany motora, utriete ich tkaninou namočenou v oleji a nechajte strojné zariadenie čo najlepšie vyschnúť.

## HARMONOGRAM ÚDRŽBY

Po každom doplnení paliva	Páčka škrtiacej klapky Vypínač I-O	Kontrola fungovania Kontrola fungovania
Pred každým použitím	Montážna zostava motora, skrutky a matice Vzduchový filter Vedenie chladiaceho vzduchu Rezné náradie Voľnobežné otáčky Palivová nádrž	Vizuálna kontrola poškodení a utiahnutia Kontrola všeobecného stavu a bezpečnosti Vyčistite Vyčistite Skontrolujte poškodenie a ostrosť Kontrola (rezné náradie sa nesmie pohybovať) Skontrolujte a vyčistite
Každých 50 hodín	Prevodovka	Prívod maziva
Týždenne	Zapaľovacia sviečka	Skontrolujte a v prípade potreby vymeňte
Raz za rok	Palivová rúrka	Vymeňte
Raz za dva roky	Uzáver nádrže	Vymeňte
Pred dlhodobým uskladnením	Palivová nádrž Karburátor Nasávacía hlava	Vyprázdniť a vyčistite Nechajte bežať dokiaľ sa nespotrebuje všetko palivo Vymeňte

## IDENTIFIKÁCIA CHÝB

Chyba	Systém	Pozorovanie	Príčina
Motor neštartuje, alebo štartuje s problémami	Systém zapaľovania	Zapaľovacia sviečka je nasadená	Chyba prívodu paliva alebo systému kompresie; mechanická chyba
		Žiadna zapaľovacia iskra	Bol použitý vypínač I-O; chybné vedenie alebo skrat; chybná zapaľovacia sviečka alebo konektor; chybný modul zapaľovania
	Prívod paliva	Palivová nádrž je naplnená	Nesprávna poloha škrtiacej klapky, chybný karburátor, zašpinená nasávacía hlava (filter palivového vedenia), prívod paliva ohnutý alebo prerušený
	Kompresia	Vnútri motora	Chybné spodné tesnenie valca, poškodené tesnenia kľukového hriadeľa, chybné tesniace krúžky valca alebo piesta
		Zvonka motora	Nesprávne tesnenie zapaľovacej sviečky
Mechanická chyba	Štartér sa nezapája	Zlomená pružina štartéra; zlomené súčasti vo vnútri motora	
Problémy pri teplom štarte		Nádrž je plná; dochádza ku generovaniu zapaľovacej iskry	Karburátor je znečistený, nechajte ho vyčistiť
Motor sa spustí, ale hneď zastane	Prívod paliva	Nádrž je naplnená	Nesprávne nastavenie voľnobehu, nasávacía hlava alebo karburátor je znečistený
			Odvzdušňovanie palivovej nádrže je chybné; prívod paliva je prerušený, kábel alebo vypínač I-O sú chybné
Nedostatočný výkon	Možno je súčasne chybných niekoľko systémov	Motor beží na voľnobehu	Znečistený vzduchový filter; znečistený karburátor; zanesený tlmič výfuku; výfukové vedenia valca je zanesené

Děkujeme za zakoupení nůžek na živé ploty DOLMAR. S potěšením vám představujeme nůžky na živé ploty DOLMAR. Tento výrobek je výsledkem dlouhého vývojového programu a zúročením dlouholetých znalostí a zkušeností.

Nůžky na živé ploty HT-2350D, HT-2360D a HT-2375D kombinují výhody špičkové technologie s ergonomickou konstrukcí, nízkou hmotností, praktičností a kompaktností a představují tak profesionální vybavení pro nejrůznější způsoby využití.

**Pročtěte si tuto brožuru, jež se podrobně věnuje různým faktům svědčícím o mimořádné výkonnosti našeho produktu, osvojte si její obsah a postupujte podle předložených pokynů. Brožura vám při používání nůžek DOLMAR napomůže dosáhnout nejlepších možných výsledků.**



Obsah	Strana
Symbole.....	87
Bezpečnostní pokyny .....	88
Technické údaje.....	91
Popis dílů.....	92
Palivo/doplňování paliva.....	93
Bezpečnostní upozornění před startováním.....	94
Startování zařízení .....	95
Vypnutí zařízení.....	95
Obsluha zařízení .....	96
Seřízení úhlu zadního držadla.....	96
Pokyny k údržbě.....	97
Skladování.....	100
Plán údržby.....	100
Určování závad.....	100

## SYMBOLY

Při čtení tohoto návodu k obsluze je velmi důležité porozumět následujícím symbolům.

	VAROVÁNÍ/NEBEZPEČÍ		Palivo a směs s olejem
	Přečtěte si návod k obsluze, vezměte na vědomí jeho obsah a řiďte se jím		Ruční startování motoru
	Zakázáno		Nouzové zastavení
	Zákaz kouření		První pomoc
	Zákaz používání otevřeného ohně		Recyklace
	Nutno použít ochranné rukavice		
	Zamezte vstupu na pracoviště všem osobám a domácím zvířatům		ZAP./START
	Nošení helmy, ochrany očí a uší!		VYP./STOP
			Značka CE

## BEZPEČNOSTNÍ POKYNY

### Obecné pokyny

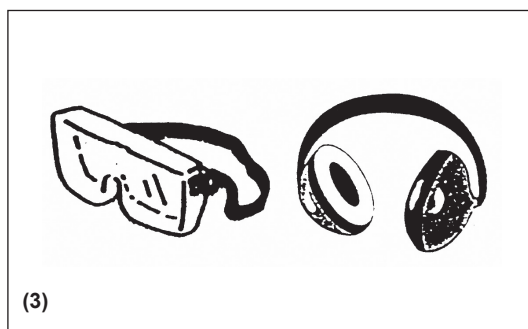
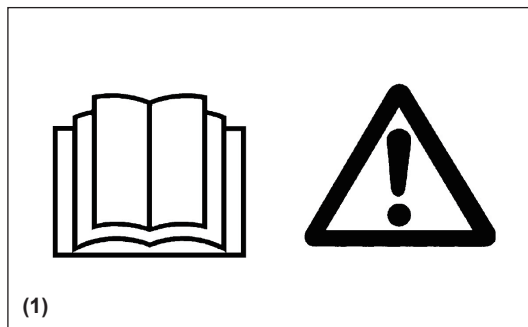
- ZAŘÍZENÍ MŮŽE ZPŮSOBIT VÁŽNÁ ZRANĚNÍ. Pečlivě si přečtěte návod obsahující pokyny ke správné manipulaci, přípravě, údržbě, startování a vypínání zařízení. Obeznamte se se všemi ovládacími prvky a správným používáním zařízení. (1)
- Nůžky na živé ploty doporučujeme půjčovat pouze osobám s prokázanými zkušenostmi s obsluhou takového zařízení. S nářadím vždy předávejte rovněž návod k obsluze.
- Začínající uživatelé by se měli obrátit na prodejce se žádostí o základní pokyny, aby se obeznámili s obsluhou motorových nůžek na živé ploty.
- Práce s nůžkami na živé ploty nesmí být dovolena dětem ani mladistvým do 18 let. Osoby starší 16 let sice mohou zařízení používat za účelem získání praxe, avšak pouze pod dohledem kvalifikované osoby.
- Nůžky používejte vždy s maximální opatrností a pozorností.
- S nůžkami na živé ploty pracujte pouze pokud jste v dobrém fyzickém stavu. Veškerou práci provádějte klidně a opatrně. Uživatel přebírá odpovědnost i za ostatní osoby.
- S nůžkami nikdy nepracujte po požití alkoholu či léků a ani pokud jste unavení či nemocní. (2)

### Účel použití nářadí

- Nůžky na živé ploty jsou určeny výhradně ke stříhání keřů a živých plotů a nesmějí být použity k žádným jiným účelům. S nůžkami nenakládejte nesprávným způsobem.

### Osobní ochranné pomůcky

- Používejte vhodný a funkční oděv – přiléhavý a neomezující v pohybu. Nenoste šperky ani volný oděv, jenž by se mohl zachytit o houští, křoviny nebo zařízení.
- Při práci s nůžkami na živé ploty je nutné používat ochranný oděv a ochranné prostředky zamezující zranění očí, rukou, nohou či poškození sluchu.
- K zamezení zranění očí noste při práci se zařízením vždy ochranné brýle nebo štít. (3)
- K zamezení poškození sluchu používejte vhodné chrániče sluchu, například ochranná sluchátka, ucpávky do uší, apod. (3)
- Uživatelům důrazně doporučujeme, aby používali pracovní kombinézy. (4)
- Součástí předepsaného vybavení tvoří speciální rukavice ze silné kůže, jež musí obsluha nůžek při práci vždy nosit. (4)
- Při práci s nůžkami vždy noste pevnou obuv s protiskluzovou podrážkou. Zamezte tak zraněním a zajistíte si správný postoj. (4)





## Startování nůžek na živé ploty

- Ujistěte se, zda nejsou v pracovním prostoru v okruhu 15 metrů (5) žádné děti a další osoby a dejte také pozor na zvířata v blízkosti místa vykonávané práce.
- Před prací se vždy ujistěte, zda jsou nůžky bezpečně provozuschopné.
- Zkontrolujte bezpečnost páčky plynu. Páčka plynu se musí pohybovat snadno a plynule. Zkontrolujte správnou funkci aretace páčky plynu. Zkontrolujte, zda jsou držadla čistá a suchá a vyzkoušejte funkci přepínače I-O. Držadla udržujte nepotřísněná olejem a palivem.

Nůžky startujte pouze podle tohoto návodu.

### Nepoužívejte žádné jiné metody startování motoru (6)!

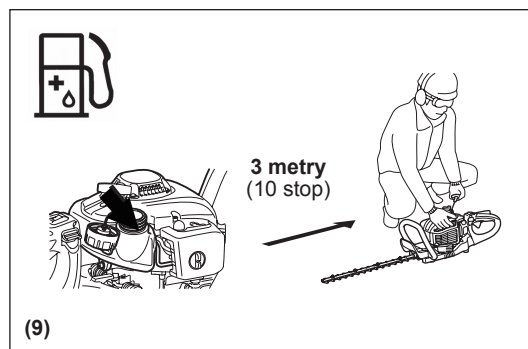
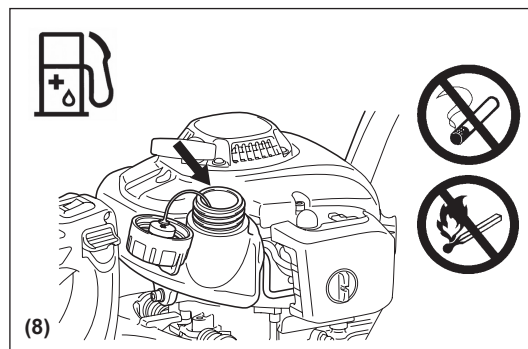
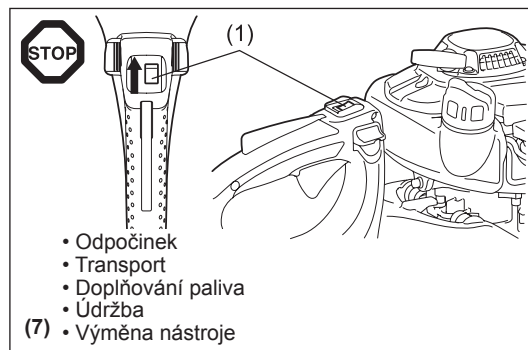
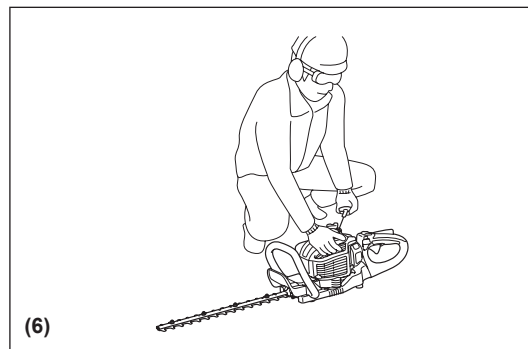
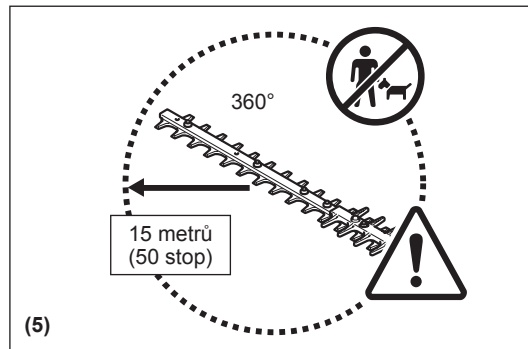
- Nůžky na živé ploty používejte pouze ke stanoveným účelům.
- Motor nůžek startujte teprve po kompletním smontování zařízení. Se zařízením lze pracovat teprve po namontování veškerého odpovídajícího příslušenství!
- Před nastartováním se ujistěte, zda nejsou nože v kontaktu s žádnými předměty, například větvemi, kameny atd.
- Jestliže nastanou nějaké potíže s motorem, motor neprodleně vypněte.
- Při práci uchopte přední i zadní držadlo pevným obemknutím prstů kolem držadel. Držadla udržujte čistá, suchá a neznečištěná pryskyřicí, olejem či vazelinou.

### Vždy si zajistěte bezpečný a rovnovážný postoj.

- Se zařízením pracujte pouze venku.
- Vždy dávejte pozor na své okolí a uvědomte si možná nebezpečí, jež nemusíte v důsledku hluku zařízení zaregistrovat sluchem.
- S nůžkami na živé ploty pracujte tak, abyste nevedlechovali výfukové plyny. Motor nikdy nenechávejte běžet v uzavřených místnostech (nebezpečí udušení či otravy výfukovými plyny). Oxid uhelnatý je plyn bez zápachu. Vždy si zajistěte dostatečnou ventilaci.
- Při odpočinku a ponechání nůžek bez dozoru vypněte motor. Nůžky položte na bezpečné místo – zamezte tak ohrožení jiných osob či vznícení hořlavých materiálů a poškození zařízení.
- Rozehřáté nůžky nikdy nepokládejte na suchou trávu ani na žádné hořlavé materiály.
- V rámci omezení nebezpečí vzniku požáru udržujte motor a tlumič v čistotě bez třísek, listů a nadbytečného maziva.
- Nikdy nepracujte se zařízením s vadným tlumičem výfuku.
- Při přenášení zařízení vypněte motor (7).
- Vypněte motor:
  - před uvolňováním zablokování,
  - před prováděním kontroly, údržby či jiných prací na zařízení.
- Při převozu osobním či nákladním automobilem zajistěte bezpečné uložení nůžek, aby nedošlo k úniku paliva.
- Při transportu nůžek zajistěte kompletní vyprázdnění palivové nádrže, abyste zamezili úniku paliva.
- Při transportu či skladování vždy nasadte na zařízení kryt stříhacích nožů.

## Doplňování paliva

- Před doplňováním paliva (7) vždy vypněte motor, držte se v dostatečné vzdálenosti od otevřeného ohně (8) a nekuřte.
- Nepokoušejte se doplňovat palivo, pokud je motor horký nebo spuštěný.
- Zamezte kontaktu ropných výrobků s pokožkou. Nevdechujte výpary paliva. Při doplňování paliva vždy používejte ochranné rukavice. Ochranný oděv v pravidelných intervalech vyměňujte a perte.
- Počínejte si opatrně, abyste rozlitím paliva nebo oleje nezpůsobili kontaminaci půdy (chráňte životní prostředí). Při rozlití paliva nůžky na živé ploty okamžitě otřete. Tkaninu použitou k otření paliva před likvidací nejprve vysušte na dobře větraném místě. V opačném případě může dojít k samovznícení.
- Zamezte kontaktu oděvu s palivem. Jestliže si polijete oděv palivem, bez prodlení se převlékněte (nebezpečí vznícení).
- Pravidelně kontrolujte víčko palivové nádrže a ujistěte se, zda je vždy pevně dotažené.
- Víčko palivové nádrže dotahujte opatrně. Při startování motoru změřte polohu (postavte se alespoň 3 metry od místa doplňování paliva) (9).
- Palivo nikdy nedoplňujte v uzavřených místnostech. Výpary paliva se shromažďují nízko nad povrchem (nebezpečí výbuchu).
- Palivo přepravujte a skladujte pouze ve schválených nádobách. Zajistěte, aby ke skladovanému palivu neměly přístup děti.
- Při míchání benzínu s olejem pro dvoudobé motory používejte pouze benzín neobsahující žádný etanol ani metanol (druhy alkoholu). Zamezte tak poškození palivového vedení a dalších součástí motoru.



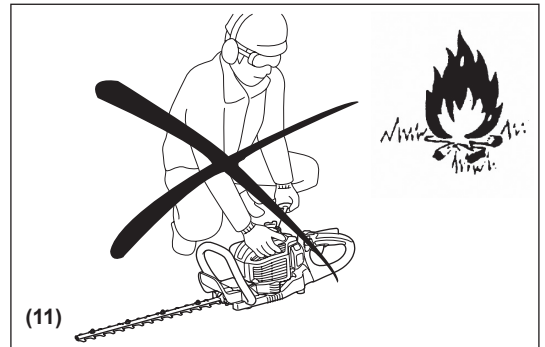
## Provoz

- Při práci držte nářadí vždy oběma rukama za obě držadla.
- S nůzkami pracujte pouze při dostatečném osvětlení a za dobré viditelnosti. V chladném období dejte pozor na kluzká a vlhká místa s ledem a sněhem (nebezpečí uklouznutí). Vždy si zajistěte bezpečný postoj.
- Nikdy nepracujte na nestabilních plochách ani ve strmém terénu.
- Nikdy nestůjte na žebříku se spuštěnými nůzkami.
- S nůzkami nikdy nešplhejte na stromy za účelem přežívání.
- Při práci se zařízením nekrácejte pozpátku – omezíte tak nebezpečí zakopnutí a ztráty kontroly.
- Před čištěním, prováděním servisních prací či výměnou dílů vždy vypněte motor.
- Nepracuje se zařízením, jež má poškozené nebo příliš opotřeбенé stříhací nože.



## Pokyny k údržbě

- Buďte ohleduplní k životnímu prostředí. Při práci s nůzkami se snažte o co nejnižší hluk a znečištění. Zkontrolujte zejména správné seřízení karburátoru.
- Nůžky na živé ploty pravidelně čistěte a kontrolujte, zda jsou pevně dotaženy všechny šrouby a matice.
- V blízkosti otevřeného ohně, jisker atd. nikdy neprovádějte údržbu ani skladování nůžek (11).
- Před uložením nůžek na živé ploty vyprázdněte palivovou nádrž.
- Nůžky nikdy neukládejte v blízkosti otevřeného ohně, zamezíte tak vzniku požáru.
- Nůžky na živé ploty skladujte na dobře větraných vyvýšených či uzamykatelných místech mimo dosah dětí.
- Nepokoušejte se zařízení opravovat, jestliže k tomu nemáte odbornou způsobilost.



**Zachovávejte a dodržujte všechny příslušné pokyny k předcházení nehodám vydávané bezpečnostními výbory obchodních sdružení a pojišťovnami.**

**Nůžky na živé ploty nijak neupravujte, ohrozili byste vlastní bezpečnost.**

Provádění údržby či oprav uživatelem je omezeno na aktivity předepsané v tomto návodu k obsluze. Všechny ostatní práce svěťte zástupcům autorizovaného servisu.

Používejte pouze originální náhradní díly a příslušenství dodávané autorizovanými či obchodními servisními středisky DOLMAR.

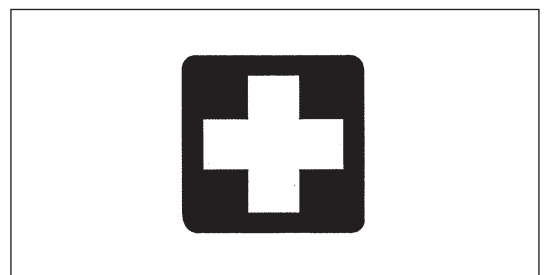
Použití neschváleného příslušenství a nástrojů představuje zvýšené riziko nehod a úrazů. Společnost DOLMAR nepřijímá žádnou odpovědnost za nehody či škody způsobené použitím jakéhokoli neschváleného příslušenství.

## První pomoc

Pro případ nehody zajistěte, aby byla v blízkosti vykonávaných prací k dispozici dobře vybavená lékárnička s obsahem vyhovujícím směrnici DIN 13164. Použitý obsah lékárničky je nutno okamžitě nahradit.

**Při přivolávání pomoci poskytněte následující informace:**

- místo nehody,
- co se stalo,
- počet zraněných osob,
- rozsah zranění,
- své jméno.



## Balení

Nůžky na živé ploty DOLMAR se dodávají v ochranné lepenkové krabici zamezující poškození při přepravě. Lepenka je základní surovinou umožňující opětovné využití či recyklaci (recyklaci odpadního papíru).



## ES PROHLÁŠENÍ O SHODĚ

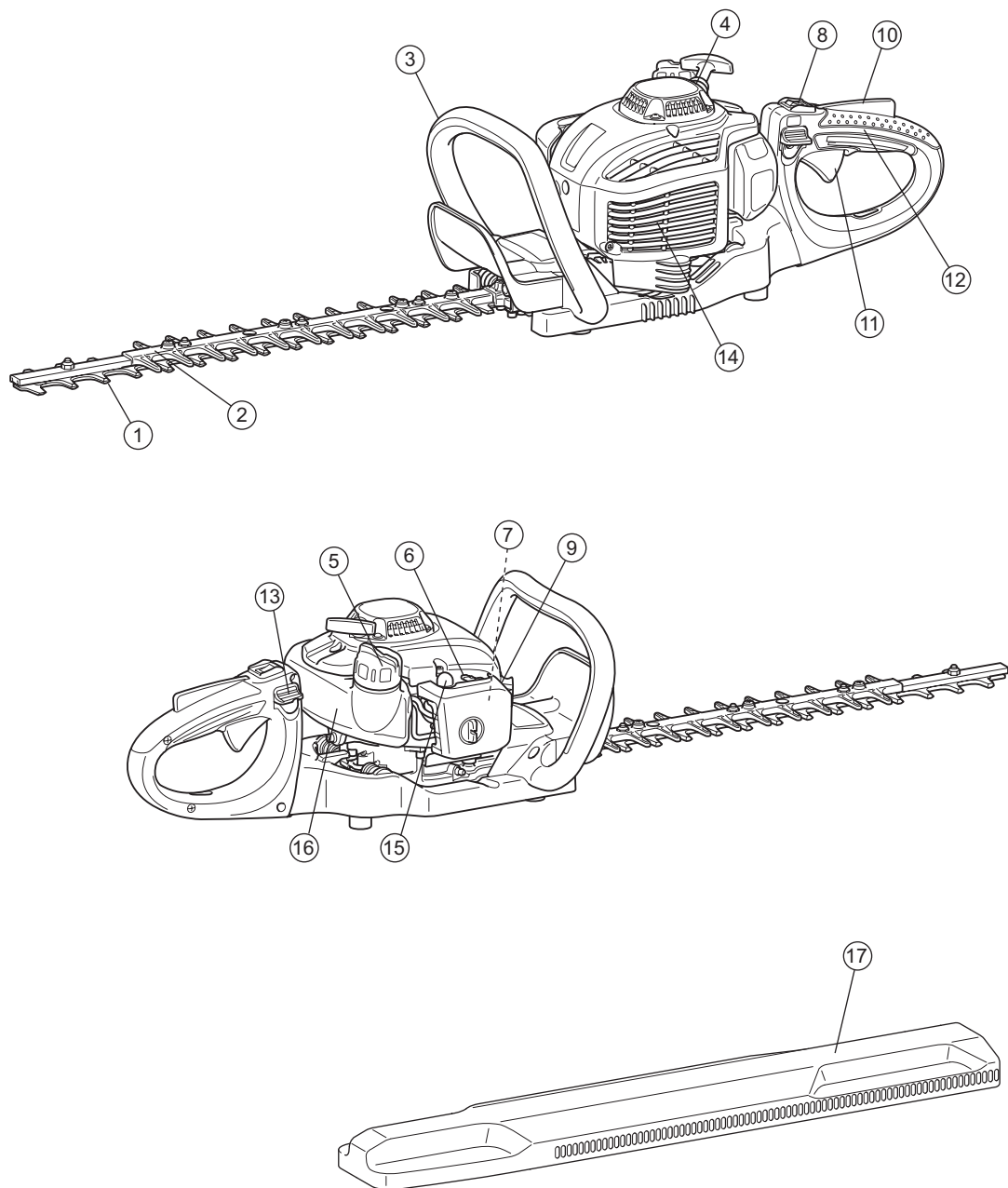
Pouze pro evropské země

ES prohlášení o shodě je v tomto návodu k obsluze zahrnuto jako Příloha A.

## TECHNICKÉ ÚDAJE

Model		HT-2350D	HT-2360D	HT-2375D		
Rozměry (D x Š x V)	mm	1 014×262×216	1 119×262×216	1 259×262×216		
Hmotnost (bez krytu nože)	kg	4,8	5,0	5,2		
Objem (palivová nádrž)	l	0,4				
Zdvihový objem motoru	cm <sup>3</sup>	22,2				
Pracovní délka	mm	483	588	728		
Maximální výkon motoru	kW	0,68				
Počet zdvihů za minutu	min <sup>-1</sup>	4 270				
Volnoběžné otáčky	min <sup>-1</sup>	3 000				
Otáčky sepnutí spojky	min <sup>-1</sup>	4 000				
Typ karburátoru	typ	WALBRO WYL				
Systém zapalování	typ	Tranzistorové zapalování				
Zapalovací svíčka	typ	NGK CMR6A				
Vzdálenost elektrod	mm	0,7 - 0,8				
Vibrace dle EN ISO 10517	Pravé držadlo	$a_{hv\ eq}$	m/s <sup>2</sup>	2,5	2,7	2,3
		Nejistota K	m/s <sup>2</sup>	1,3	1,1	1,6
	Levé držadlo	$a_{hv\ eq}$	m/s <sup>2</sup>	2,5	2,8	2,3
		Nejistota K	m/s <sup>2</sup>	1,3	1,1	1,2
Hlučnost dle EN ISO 10517	Hladina akustického tlaku		dB (A)	93,0	92,8	93,9
		Nejistota K	dB (A)	1,4	2,2	1,2
	Hladina akustického výkonu		dB (A)	103,0	103,2	103,8
		Nejistota K	dB (A)	2,1	1,5	1,3
Směšovací poměr (palivo: motorový olej)	Originální olej DOLMAR pro dvoudobé motory	50 : 1				
	Doporučený olej jiného výrobce pro dvoudobé motory	25 : 1				
Převodový poměr	9 : 43					

## POPIS DÍLŮ



	POPIS DÍLŮ		POPIS DÍLŮ		POPIS DÍLŮ
1	Nůž	7	Karburátor (není zobrazen)	13	Uvolňovací páčka
2	Prodloužená tupá část nože	8	Přepínač I-O (ZAP./VYP.)	14	Tlumič
3	Přední držadlo	9	Zapalovací svíčka	15	Nastřikovač
4	Lankový startér	10	Odjišťovací páčka	16	Palivová nádrž
5	Víčko palivové nádrže	11	Páčka plynu	17	Kryt nože
6	Páčka sytiče	12	Zadní držadlo		

## PALIVO/DOPLŇOVÁNÍ PALIVA

### Palivo a směs s olejem

- Pohonnou jednotku nůžek tvoří vysoce účinný dvoudobý motor. Pohání jej směs paliva a oleje pro dvoudobé motory. Motor je navržen pro obvyklé bezolovnaté palivo s minimální hodnotou oktanového čísla 91 (ROZ). Není-li takové palivo k dispozici, můžete použít palivo s vyšším oktanovým číslem. Motor se tím nepoškodí, ale může dojít ke zhoršení chování za provozu. Podobná situace nastane při použití olovnatého paliva. Chcete-li dosáhnout optimálního chodu motoru a chránit své zdraví a životní prostředí, používejte pouze bezolovnaté palivo!
- K mazání motoru používejte olej pro dvoudobé motory (jakostní třída: TSC-3), který se přidává do paliva. K ochraně životního prostředí byl motor navržen pro použití pouze s olejem DOLMAR pro dvoudobé motory – se směšovací poměrem 50:1. Navíc je zaručena dlouhá životnost a spolehlivý provoz s minimálními emisemi výfukových plynů. Je naprosto nutné dodržovat směšovací poměr 50:1 (olej DOLMAR pro dvoudobé motory), jinak nemůže být zaručena spolehlivá funkce nůžek na živé ploty.
- Správný doporučený směšovací poměr:  
Benzín: předepsaný olej pro dvoudobé motory = 50 : 1 nebo  
Benzín: doporučený olej jiného výrobce pro dvoudobé motory = 25 : 1

**POZNÁMKA:** Ve schválené nádobě splňující či překonávající místní zákonné požadavky smíchejte při přípravě směsi paliva s olejem nejprve celé množství oleje s polovinou požadovaného objemu paliva. Potom přidejte zbývající palivo. Před nalitím směsi do nádrže nůžek na živé ploty ji důkladně promíchejte. K zajištění bezpečného provozu nepřidávejte více motorového oleje, než je stanoveno. Výsledkem by byla pouze zvýšená tvorba zbytků spalování znečišťujících životní prostředí, ucpání výfukového kanálu ve válci a zanesení tlumiče. Navíc se zvýší spotřeba paliva a sníží výkon.

### Manipulace s ropnými výrobky

Při manipulaci s palivem je na místě nejvyšší opatrnost. Palivo může obsahovat látky podobné rozpouštědlům. Doplnění paliva provádějte v dobře větraném prostoru nebo venku. Nevdechujte výpary paliva a zamezte kontaktu paliva či oleje s pokožkou.

Při opakovaném a dlouhodobém kontaktu s těmito látkami se pokožka vysušuje. Důsledkem mohou být různá kožní onemocnění. Kromě toho je známo, že dochází k alergickým reakcím.

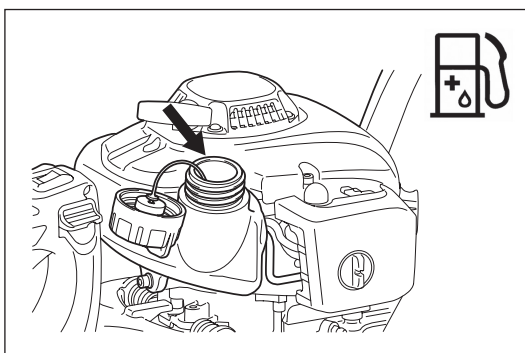
Při kontaktu s olejem, palivem atd. může dojít k podráždění očí.

Pokud se vám olej, palivo atd. dostane do očí, okamžitě je vypláchněte čistou vodou.

Jestliže podráždění očí přetrvává, vyhledejte neprodleně lékařskou pomoc!



Dodržujte bezpečnostní pokyny na straně 89.



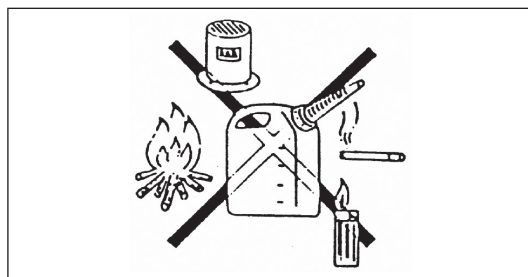
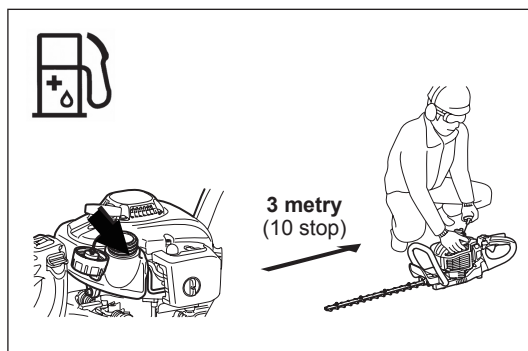
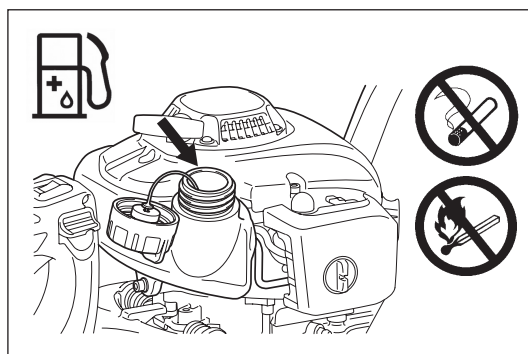
Benzín	Olej
50:1	50:1
1 000 cm <sup>3</sup> (1 litr) 5 000 cm <sup>3</sup> (5 litrů) 10 000 cm <sup>3</sup> (10 litrů)	20 cm <sup>3</sup> 40 cm <sup>3</sup> 100 cm <sup>3</sup> 200 cm <sup>3</sup> 200 cm <sup>3</sup> 400 cm <sup>3</sup>

## Doplňování paliva

- Motor musí být vypnutý.
- Při doplňování paliva vypněte motor, nepřibližujte se k ohni a nekuřte.
- Počínejte si opatrně, abyste rozlítím paliva nebo oleje nezpůsobili kontaminaci půdy.  
Při rozlítí paliva nůžky na živé ploty okamžitě očistěte.
- Nerozlijte palivo na motor. Při rozlítí palivo otřete.
- Zamezte kontaktu oděvu s palivem. Při polížení palivem si oděv okamžitě vyměňte (zamezte možnosti vzplanutí oděvu).
- Pravidelně kontrolujte víčko palivové nádrže. Ujistěte se tak, že je správně dotaženo a palivo neuniká.
- Víčko palivové nádrže dotahujte opatrně. Při startování motoru změřte polohu (postavte se alespoň 3 metry od místa doplňování paliva).
- Palivo nikdy nedoplňujte v uzavřených místnostech. Výpary paliva se shromažďují nízko nad zemí. (Nebezpečí výbuchu.)
- Palivo přepravujte a skladujte pouze ve schválených nádobách. Zajistěte, aby ke skladovanému palivu neměly přístup děti.
- Důkladně očistěte oblast kolem víčka nádrže, abyste zamezili vniknutí nečistot do palivové nádrže.
- Odšroubujte víčko a naplňte nádrž palivem. Použijte nálevku se sítkem k přefiltrování paliva.
- Víčko nádrže pevně dotáhněte pouze rukou.
- Po doplnění paliva očistěte místo kolem šroubovací zátky a nádrž.
- K zamezení vzniku požáru vždy setřete veškeré rozlité palivo.

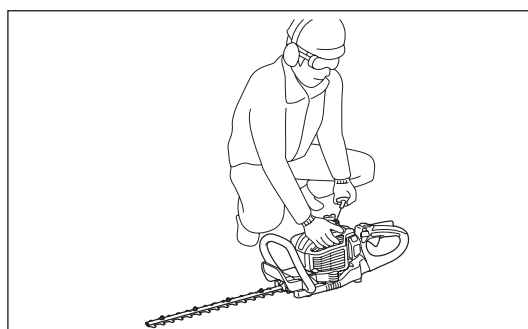
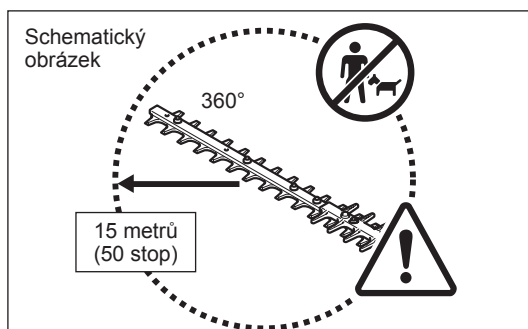
## Skladování paliva

- Palivo nelze skladovat po neomezenou dobu.
- Nakupujte pouze takové množství, jež budete potřebovat pro 4 týdny provozu.
- Používejte pouze nádoby schválené ke skladování paliva.



## BEZPEČNOSTNÍ UPOZORNĚNÍ PŘED STARTOVÁNÍM

- Přesvědčte se, zda se na pracovišti v okruhu 15 metrů nezdržují žádné děti ani nepovolané osoby. Dejte také pozor na zvířata v blízkosti místa vykonávané práce.
- Před prací se vždy ujistěte, zda jsou nůžky bezpečně provozuschopné. Zkontrolujte, zda nejsou stříhací nože poškozené, zda se ovládací páčka volně pohybuje a překontrolujte správnou funkci přepínače I-O. Ujistěte se, zda se stříhací nože ve volnoběžných otáčkách motoru nepohybují. V případě pochybností se obraťte na prodejce se žádostí o seřízení. Zkontrolujte, zda jsou držadla čistá a suchá a vyzkoušejte funkci přepínače I-O.
- Nůžky startujte pouze podle tohoto návodu. Nepoužívejte žádné jiné metody startování motoru. (Viz část Startování)
- Motor startujte teprve po kompletním smontování zařízení. Spuštění motoru je přípustné teprve po namontování veškerého odpovídajícího příslušenství. V opačném případě existuje nebezpečí zranění.
- Před nastartováním se ujistěte, zda nejsou stříhací nože v kontaktu s žádnými předměty, například větvemi, kameny atd.
- Před stříháním zkontrolujte příslušné místo, zda zde nejsou dráty, šňůry, sklo či jiné cizorodé předměty, jež by mohly přijít do kontaktu s nožem.
- Nebezpečí úrazu elektrickým proudem. Dejte pozor na veškerá elektrická vedení a elektrické ohradníky. Před stříháním zkontrolujte všechna místa, zda se v nich nenachází elektrické vedení.



## STARTOVÁNÍ ZAŘÍZENÍ

Přesuňte se alespoň 3 metry od místa doplňování paliva. Nůžky na živé ploty položte na čistou část terénu. Zajistěte, aby stříhací nože nepřišly do kontaktu se zemí nebo cizorodými předměty.

**Studený start:** (pokud je motor studený, byl déle než 5 minut vypnutý nebo po doplnění paliva).

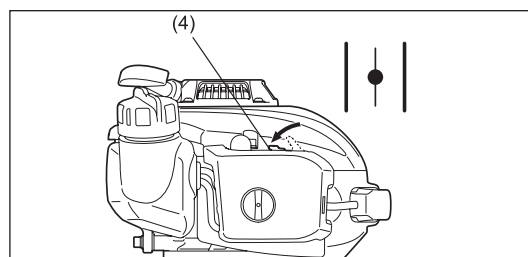
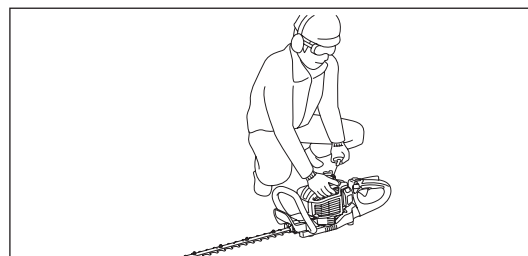
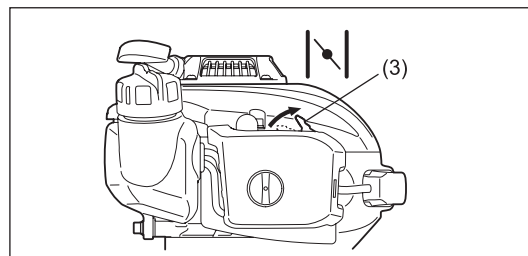
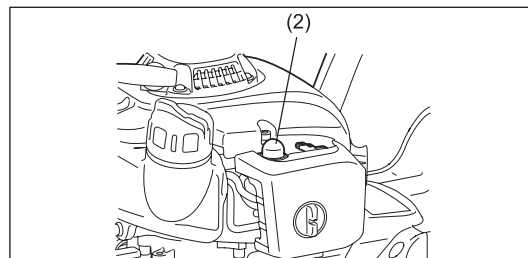
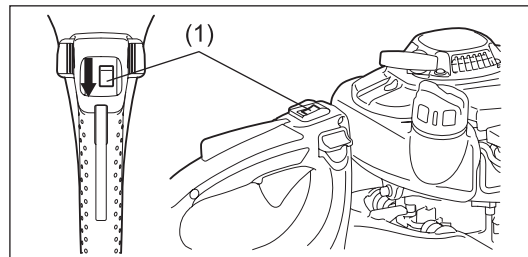
1. Přepínač I-O (1) přepněte do polohy „I“.
2. Opakovaně (7–10krát) mírně stlačte nastříkovač (2), až do něj vnikne palivo.
3. Páčku sytiče (3) přesuňte do polohy „I“.
4. Nůžky na živé ploty pevně přidržte u země, abyste nad nimi při startování motoru neztratili kontrolu. V opačném případě může v důsledku pádu či kontaktu se stříhacími noži dojít k vážnému zranění či škodě na majetku.
5. Pomalu o 10 až 15 cm potáhněte za madlo startéru, až pocítíte odpor.
6. Jakmile ucítíte odpor, potáhněte silně za madlo startéru a nastartujte motor.
7. Při startování motoru nebo při přerušovaném provozu vraťte páčku sytiče (4) do polohy „I“.
8. Před uvedením do plných otáček nechte motor běžet zhruba minutu v mírných otáčkách.

**Poznámka:**

- Při opakovaném tahání za madlo startéru s páčkou klapky sytiče ponechanou v poloze „I“ nebude možné motor snadno nastartovat v důsledku přesycení palivem.
- V případě přesycení palivem vyjměte zapalovací svíčku a pomalým taháním za madlo startéru odstraňte přebytek paliva. Osušte také elektrody zapalovací svíčky.

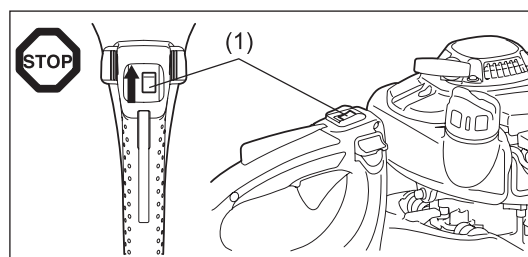
**Teplý start:** (opětovné nastartování bezprostředně po vypnutí motoru) Při opětovném startování teplého motoru vyzkoušejte nejprve výše uvedené kroky: 1, 2, 4, 5, 6 s páčkou sytiče (4) v poloze „I“. Pokud se motor nenastartuje, opakujte výše uvedené kroky 1–8.

**Poznámka:** Netahejte za šňůru startéru na celou délku. Zamezte nekontrolovanému vtahování startovací šňůry. Zajistěte, aby se vtahovala pomalu.



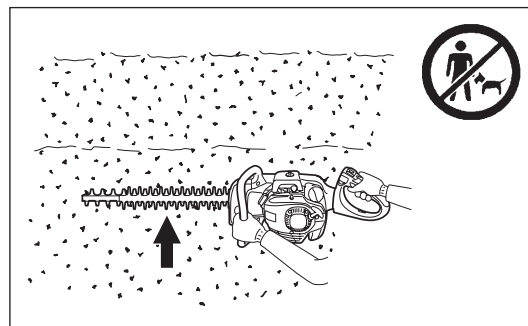
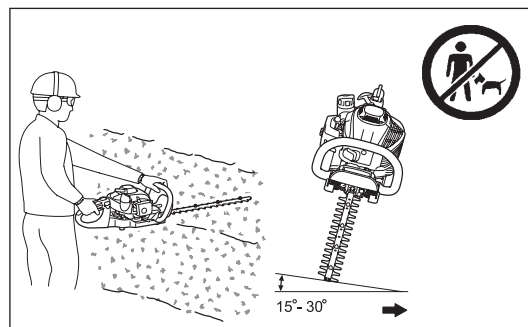
## VYPNUTÍ ZAŘÍZENÍ

1. Zcela uvolněte páčku plynu.
2. Přepínač I-O (1) přepněte do polohy „O“. Otáčky motoru se zpomalí a zastaví.



## OBSLUHA ZAŘÍZENÍ

- Nikdy nepracujte s volným úchopem nůžek na živé ploty.
- Při startování motoru a za provozu se nikdy nedotýkejte stříhacích nožů.
- S nůžkami na živé ploty pracujte tak, abyste nevedechovali výfukové plyny. Motor nikdy nenechávejte běžet v uzavřených místnostech (nebezpečí otravy výfukovými plyny). Oxid uhelnatý je plyn bez zápachu.
- Během provozu musí být použito veškeré ochranné vybavení, například kryt dodaný k zařízení.
- Nikdy nepracujte se zařízením s vadným či chybějícím tlumičem.
- S nůžkami pracujte pouze při dostatečném osvětlení a za dobré viditelnosti.
- V zimním období dejte pozor na kluzká a vlhká místa s ledem a sněhem. (Nebezpečí uklouznutí.) Vždy si zajistěte bezpečný postoj.
- Nikdy nestůjte na žebříku se spuštěnými nůžkami. Stůjte oběma nohama na zemi.
- S nůžkami nikdy nešplhejte na stromy za účelem prořezávání.
- Nikdy nepracujte na nestabilních plochách.
- Z pracovního prostoru odstraňte písek, kameny, hřebíky, dráty apod. Cizorodé předměty mohou poškodit stříhací nože.
- Před stříháním odstříhejte nejprve 8 mm nebo silnější větve zahradnickými nůžkami.
- Před zahájením práce musí být stříhací nože uvedeny do plných pracovních otáček.
- Nůžky na živé ploty držte vždy pevně oběma rukama za držadla.
- Nářadí držte pevně s držadly obemknutými palci a prsty.
- Po uvolnění plynu se stříhací nože zastaví až po chvíli.
- S nůžkami na živé ploty nestříhejte ve volnoběžných otáčkách. Otáčky stříhání nelze ovladačem plynu nastavit, pokud jsou volnoběžné otáčky příliš vysoké.
- Nůžky na živé ploty držte během stříhání s noži v 15–30° úhlu vzhledem k rovině stříhání.
- Obzvláště opatrní buďte při stříhání živých plotů v blízkosti či před drátěnými ploty.
- Noži se nedotkněte tvrdých předmětů, jimiž jsou například drátěné ploty, kameny, či zemina. Mohlo by dojít k prasknutí, vyštípnutí či zlomení nožů.
- Jestliže stříhací nože narazí do kamenů či jiných tvrdých předmětů, okamžitě vypněte motor a stříhací nože prohlédněte, zda nejsou poškozené. Před obnovením práce poškozený nůž vyměňte.
- Pravidelně odpočívajte. Společnost DOLMAR doporučuje 10–20 minutový odpočinek po každých 50 minutách práce.
- Při zpozorování problémů s motorem motor okamžitě vypněte.
- Při práci s nůžkami se snažte o co nejnižší hlučnost a znečištění. Zkontrolujte zvláště správné nastavení karburátoru a mísicí poměr paliva s olejem.
- Nikdy se nesnažte se uvolňovat zaseknutý odstřížený materiál ve chvíli, kdy jsou nože v pohybu. Zařízení položte na zem, vypněte je a odstraňte překážející odstřížky.



## SEŘÍZENÍ ÚHLU ZADNÍHO DRŽADLA

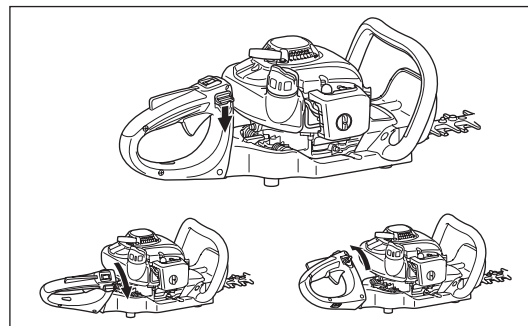
Zadní držadlo lze otočit dolů o 90° vlevo či vpravo a na obou stranách jej můžete nastavit i do 45° úhlu.

Změna úhlu:

1. Stisknutím uvolňovací páčku uvolněte aretaci.
2. Otočte držadlo do úhlu 0°, 45° nebo 90°.
3. Zajistěte, aby se uvolňovací páčka vrátila do původní polohy a zvolená pozice se zaaretovala.

Při uvolnění aretaci nemačkejte páčku plynu.

Aretaci neuvolňujte za provozu.





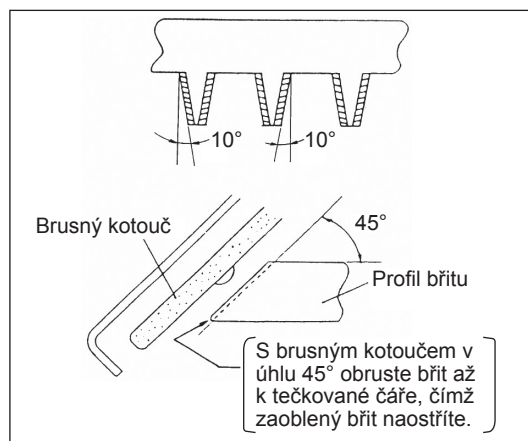
## POKYNY K ÚDRŽBĚ

- Při čištění, výměně a ostření nožů nebo před prováděním jakékoli údržby vypněte motor a odpojte konektor zapalovací svíčky.
- Poškozené stříhací nože nikdy nerovnejte a nesvařujte.
- Stříhací nože po vypnutí motoru často kontrolujte, zda nejsou poškozeny.
- Stříhací nože udržujte naostřené.
- Nůžky na živé ploty pravidelně čistěte a kontrolujte, zda jsou dobře dotaženy všechny šrouby a matice.
- Údržbu nůžek nikdy neprovádějte v blízkosti otevřeného ohně, zamezíte tak vzniku požáru.
- Při manipulaci či broušení nožů vždy noste kožené rukavice – zuby jsou ostré.

### Ostření nože

Jestliže jsou ostří zaoblená a již dobře nestříhají, obruste pouze části vyznačené na obrázku šrafováním. Neobrušujte kontaktní plochy (kluzné plochy) shora ani zdola.

- Před broušením se ujistěte, zda jste pevně zajistili nůž, vypnuli motor a odpojili konektor zapalovací svíčky.
- Použijte rukavice, ochranné brýle atd.
- Neodebírejte příliš mnoho materiálu. Došlo by ke ztrátě tvrdé vrstvy a nože by se používáním velmi rychle otupily.



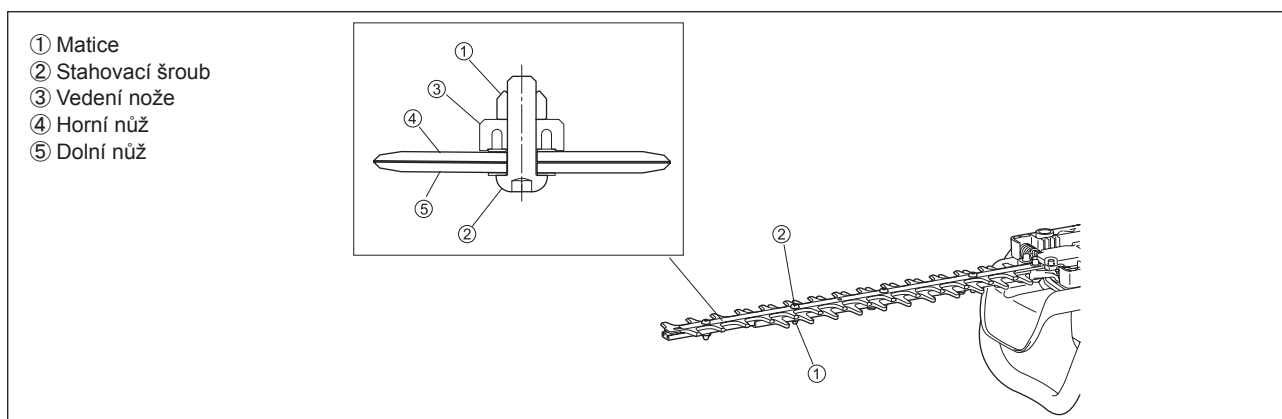
### Seřízení vůle nožů

Horní a dolní nůž se opotřebovávají. Jestliže se nedaří docílit čistého stříhu i přesto, že jsou nože dostatečně naostřeny, seřídte vůli podle následujícího postupu.

1. Povolte šrouby a sejměte prodlouženou tupou část nože.
2. Nástrčným nebo otevřeným klíčem povolte matici (1).
3. Imbusovým klíčem mírně dotáhněte stahovací šroub (2) až na doraz a pak jej o čtvrt otáčky povolte zpět.
4. Dotáhněte matici (1) a přidržte přitom stahovací šroub (2).
5. Na třecí plochy nožů naneste olej.
6. Spusťte motor a zhruba minutu střídavě přidávejte a ubírejte plyn.
7. Změřte dobu, za jakou se nože po uvolnění plynu zastaví. Pokud jsou to dvě vteřiny či více, vypněte motor a zopakujte kroky 2 až 7.
8. Vypněte motor a dotkněte se plochy nožů. Pokud se nezahřály tak, že byste na nich neudrželi ruku, provedli jste seřízení správně. Jestliže jsou příliš horké, povolte stahovací šroub (2) trochu zpět a zopakujte kroky 6 až 8.
9. Přitazením šroubů upevněte prodlouženou tupou část nože.

**POZNÁMKA: Před seřizováním vypněte motor a počkejte, až se nože zastaví.**

**Na nožích je kolem šroubu (2) drážka. Naleznete-li na konci některé drátky prach, vyčistěte ji.**



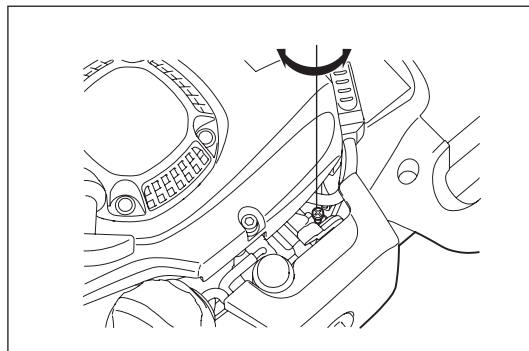
## Kontrola a seřízení volnoběhu

Při volnoběžných otáčkách motoru nesmí být stříhací nože v pohybu.

- Volnoběžné otáčky je třeba nastavit na  $3\,000\text{ min}^{-1}$  (ot./min).
- V případě nutnosti proveďte opravu volnoběžné otáčky seřizovacím šroubem volnoběhu (stříhací nože se nesmí při volnoběžných otáčkách motoru pohybovat).
  - Stříhací nože se za volnoběhu pohybují – otočte seřizovacím šroubem volnoběhu vlevo a snižte otáčky volnoběhu.
  - Motor se za volnoběhu vypíná – otočte seřizovacím šroubem volnoběhu vpravo a zvýšte otáčky volnoběhu.

Jestliže stříhací nože za volnoběhu i po seřízení stále poběží, obraťte se na nejbližšího zástupce autorizovaného servisu.

- Spojka by měla zabírat při  $3\,750\text{ min}^{-1}$  (ot./min) nebo při vyšších otáčkách.
- Zkontrolujte funkci přepínače I-O, odjišťovací páčky a páčky plynu.



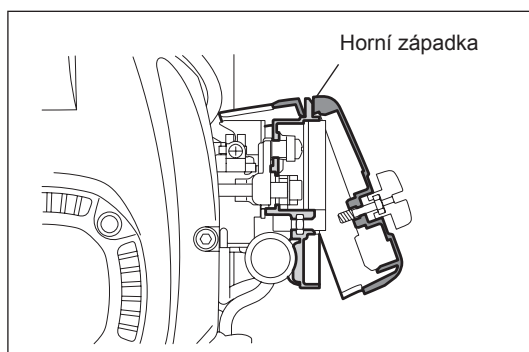
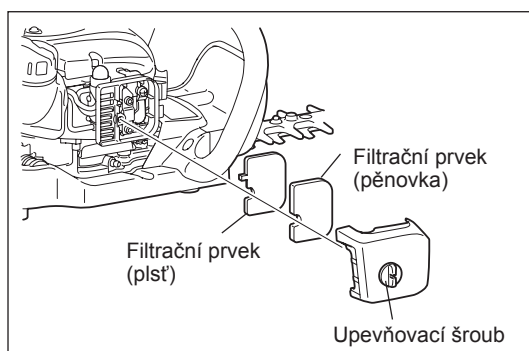
## Čištění vzduchového filtru



**NEBEZPEČÍ: Přísný zákaz používání hořlavín**

Vzduchový filtr kontrolujte a čistěte denně nebo po každých 10 hodinách provozu.

- Páčku klapky sytiče přesuňte zcela ke straně zavřeného stavu a karburátor chráňte před prachem a nečistotami.
- Povolte upevňovací šroub.
- Potáhněte za zadní stranu krytu vzduchového filtru pohybem vpřed jej sejměte.
- Ulpěl-li na filtračním prvku (pěnovce) olej, řádně jej vymačkejte.
- V případě silného znečištění:
  - 1) Vyjměte filtrační prvek (pěnovku), ponořte jej do horké vody nebo neutrálního čisticího prostředku rozpustného ve vodě a pak jej důkladně vysušte.
  - 2) Filtrační prvek (plst') vyčistěte benzínem a zcela jej vysušte.
- Před zpětnou montáží filtračních prvků se ujistěte, zda jsou zcela suché. Nedostatečné vysušení může vést k obtížím při startování.
- Hadrem setřete olej kolem vzduchového filtru.
- Bezprostředně po vyčištění nasadte kryt vzduchového filtru a dotáhněte jej upevňovacími šrouby. (Při montáži nasadte nejprve horní západku.)



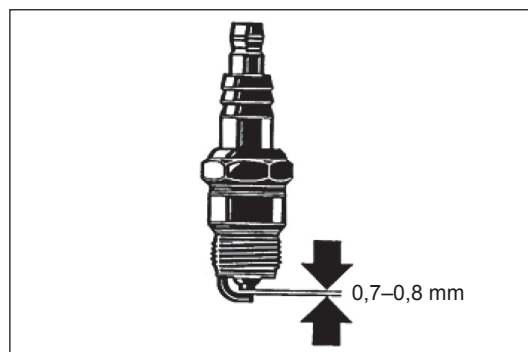
### Poznámky k manipulaci s filtračními prvky vzduchového filtru

- Při značném zanesení prachem čistěte filtrační prvky několikrát denně.
- Budete-li pokračovat v provozu s filtračními prvky nevyčištěnými od oleje, může se olej z filtračního prvku uvolnit a způsobit znečištění olejové náplně.

## Kontrola zapalovací svíčky

Zapalovací svíčku kontrolujte a čistíte denně nebo po každých 8 hodinách provozu.

- K demontáži i montáži zapalovací svíčky použijte pouze dodaný univerzální klíč.
- Mezera mezi elektrodami zapalovací svíčky má být 0,7 až 0,8 mm. Jestliže je mezera příliš velká nebo příliš malá, upravte ji. Pokud je zapalovací svíčka ucpaná karbonem nebo zanesená, důkladně ji vyčistěte nebo vyměňte. Použijte přesně odpovídající náhradní svíčku.



## Doplňování maziva

- Po každých 50 hodinách provozu doplňte mazivo přes maznici. (Shell Alvania č. 3 nebo odpovídající mazivo)

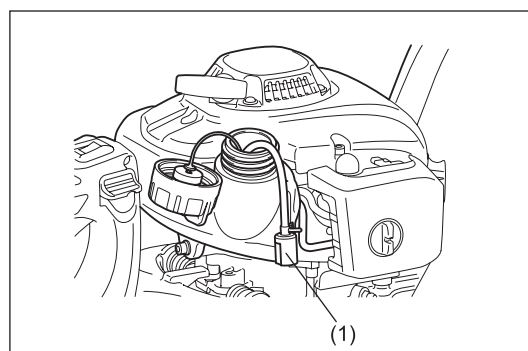
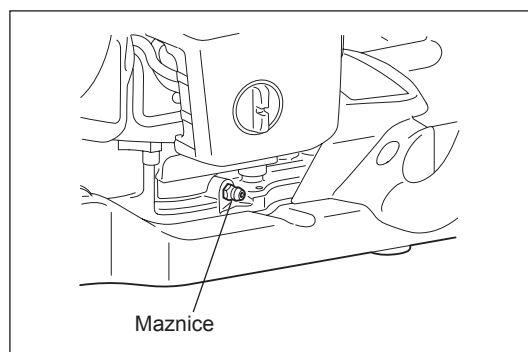
**POZNÁMKA:** Zajistěte dodržování určené doby a množství doplňovaného maziva. Nedostatek maziva by mohl způsobit problémy se zařízením.

## Čištění palivového filtru (sací hlava v palivové nádrži)

**VAROVÁNÍ: Přísný zákaz používání hořlavín**

Palivový filtr kontrolujte a čistíte jednou za měsíc nebo po každých 50 hodinách provozu.

- Plstěný filtr (1) sací hlavy slouží k filtrování paliva vstupujícího do karburátoru.
- Plstěný filtr pravidelně vizuálně kontrolujte.
- Kontrolu plstěného filtru provedete otevřením víčka nádrže a vyjmutím sací hlavy pomocí drátěného háčku otvorem nádrže ven. Jestliže je plstěný filtr ztvrdlý, znečištěný nebo ucpaný, vyměňte jej.
- Plstěný filtr alespoň jednou za čtvrt roku vyměňte, abyste zajistili dostatečný přívod paliva do karburátoru. Nedostatečný přívod paliva způsobí poruchy startování motoru a omezení maximálních otáček.



## Výměna palivové hadičky

**UPOZORNĚNÍ: Přísný zákaz používání hořlavín**

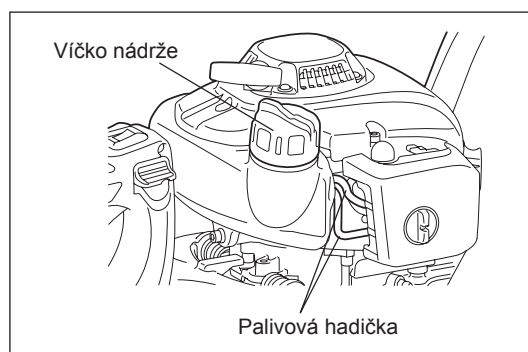
Palivovou hadičku kontrolujte a čistíte denně nebo po každých 10 hodinách provozu.

Palivovou hadičku vyměňte po každých 200 hodinách provozu nebo jednou za rok bez ohledu na pracovní vytížení. Únik paliva může vyvolat požár.

Zjistíte-li během kontroly nějakou netěsnost hadičky, okamžitě ji vyměňte.

## Výměna víčka nádrže

- Zjistíte-li na víčku nádrže nějaké vady či poškození, vyměňte jej.
- Víčko nádrže se časem opotřebí. Jednou za dva či tři roky víčko vyměňte.



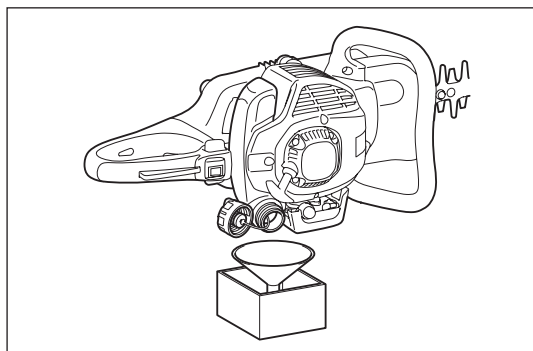
Veškerou další údržbu či seřizování, jejichž popis tato příručka neobsahuje, si vyžádejte v autorizovaném servisním středisku DOLMAR.

## Každodenní kontrola a údržba

K zajištění dlouhé životnosti a zamezení poškození zařízení pravidelně provádějte následující údržbu.

- Než začnete pracovat:
  - Zkontrolujte, zda nejsou v zařízení povolené šrouby a zda nechybí žádné části. Zvláštní pozornost věnujte dotažení šroubů nožů.
  - Zkontrolujte, zda nejsou ucpané chladicí vzduchové kanály a žebra válce. V případě nutnosti tato místa vyčistěte.
  - Očistěte palivovou nádrž a zkontrolujte, zda v ní nejsou cizorodé předměty a jestli neuniká palivo.
- Po skončení práce:
  - Očistěte vnější části zařízení a zkontrolujte, zda nedošlo k poškození.
  - Vyčistěte vzduchový filtr. Při práci v mimořádně prašném prostředí vyčistěte filtr i několikrát za den.
  - Zkontrolujte, zda nejsou poškozené nože a ujistěte se, zda jsou pevně uchyceny.

## SKLADOVÁNÍ



- Při dlouhodobějším skladování zařízení vypustte následujícím způsobem palivo z nádrže a karburátoru: Z palivové nádrže vypustte veškeré palivo.
- Vyměňte zapalovací svíčku a do otvoru svíčky kápněte několik kapek oleje. Potom mírným zatáhnutím za startér zajistěte, aby olejový film pokryl vnitřek motoru a dotáhněte zapalovací svíčku.
- Nože a vnější části motoru očistěte od nečistot a prachu, otřete je tkaninou namočenou v oleji a zařízení uschovejte na co nejsušším místě.

## PLÁN ÚDRŽBY

Po každém doplnění paliva	Páčka plynu Přepínač I-O	Kontrola funkce Kontrola funkce
Před každým použitím	Sestava motoru, šrouby a matice Vzduchový filtr Vedení chladicího vzduchu Vyžínací nástroj Volnoběžné otáčky Palivová nádrž	Vizuální kontrola poškození s dotažením Kontrola celkového stavu a bezpečnosti Vyčistit Vyčistit Kontrola poškození a naostření Kontrola (pracovní nástroj nesmí být v pohybu) Zkontrolovat a vyčistit
Každých 50 hodin	Převodovka	Doplnění maziva
Týdně	Zapalovací svíčka	Kontrola a v případě potřeby výměna
Jednou ročně	Palivová hadička	Vyměnit
Dvakrát ročně	Víčko nádrže	Vyměnit
Před dlouhodobým skladováním	Palivová nádrž Karburátor Sací hlava	Vyprázdněte a vyčistěte Nechat spuštěný motor, až dojde palivo Vyměnit

## URČOVÁNÍ ZÁVAD

Závada	Systém	Výsledek pozorování	Příčina
Motor nespouští nebo startuje s obtížemi	Systém zapalování	Svíčka dává jiskru	Závada v dodávce paliva nebo v kompresním systému, mechanická vada
		Svíčka nedává jiskru	Přepínač I-O ve vypnuté poloze, chyba nebo zkrat v elektroinstalaci, vadná svíčka nebo konektor, chybný zapalovací modul
	Přívod paliva	V nádrži je palivo	Nesprávná poloha sytiče, vadný karburátor, znečištěné sání (filtr přívodu paliva), přehnuté nebo přerušené vedení paliva
	Komprese	Uvnitř motoru	Vadné dolní těsnění válce, poškozené těsnění klikového hřídele, vadný válec či pístní kroužky
		Mimo prostor motoru	Nesprávné těsnění zapalovací svíčky
Mechanická závada	Startér nezabírá	Zlomená pružina startéru, poškozené díly v motoru	
Potíže při startu s teplým motorem	Přívod paliva	V nádrži je palivo a svíčka dává jiskru	Znečištěný karburátor – nechte jej vyčistit
Motor nastartuje, ale okamžitě zhasne		V nádrži je palivo	Nesprávné seřízení volnoběhu, znečištění sání či karburátoru Vadné odvětrání palivové nádrže, přerušování palivového vedení, vadný kabel nebo přepínač I-O
Nedostatečný výkon	Závada může být současně v několika systémech	Chybný volnoběh motoru	Znečištěný vzduchový filtr, znečištěný karburátor, ucpaný výfuk, ucpané výfukové vedení ve válci

Дуже Вам дякуємо за вибір пили для підрізування живоплоту DOLMAR. Ми раді запропонувати Вам пилу для підрізування живоплоту DOLMAR, що є результатом довгої програми розвитку та багаторічного знання і досвіду.

Пили для підрізування живоплоту моделей HT-2350D, HT-2360D та HT-2375D поєднують переваги сучасної технології з ергономічною конструкцією, малою вагою, зручністю у використанні та компактністю, вони є яскравим прикладом багатофункціонального професійного обладнання.

**Будь ласка, прочитайте цю брошуру, засвойте та дотримуйтесь наведених в ній інструкцій, адже в цій брошурі детально описуються різні вказівки щодо роботи пристрою, який продемонструє відмінні робочі характеристики. Цей документ допоможе Вам безпечно досягти найкращого результату експлуатації Вашої пили для підрізування живоплоту DOLMAR.**



Зміст	Сторінка
Позначення.....	101
Інструкції з техніки безпеки .....	102
Технічні дані .....	105
Призначення частин .....	106
Паливо/заправлення.....	107
Заходи безпеки перед початком роботи .....	108
Запуск пристрою .....	109
Зупинка пристрою.....	109
Робота з пристроєм .....	110
Налаштування кута задньої ручки.....	110
Інструкції щодо технічного обслуговування .....	111
Зберігання .....	114
Графік технічного обслуговування.....	114
Пошук несправностей.....	114

## ПОЗНАЧЕННЯ

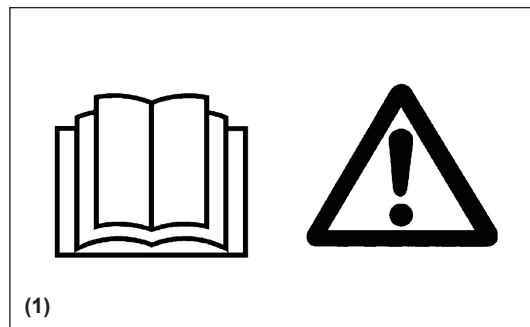
Під час ознайомлення з цією інструкцією дуже важливо розуміти значення наведених нижче символів.

	УВАГА/НЕБЕЗПЕКА		Суміш палива та мастила
	Уважно прочитайте і засвойте цю інструкцію з експлуатації та дотримуйтесь її		Ручний запуск двигуна
	Заборонено		Аварійна зупинка
	Не палити		Перша допомога
	Не використовувати поблизу відкритого вогню		Переробка
	Слід надягати захисні рукавиці		
	Заборонено допускати сторонніх осіб та домашніх тварин до зони роботи		УВІМК./ПУСК
	Надягайте захисний шолом та засоби індивідуального захисту органів зору і слуху!		ВИМК./ЗУПИНКА
			Маркування CE

## ІНСТРУКЦІЇ З ТЕХНІКИ БЕЗПЕКИ

### Загальні положення

- **НЕНАЛЕЖНЕ ВИКОРИСТАННЯ ЦЬОГО ПРИЛАДУ МОЖЕ ПРИЗВЕСТИ ДО СЕРЙОЗНИХ ТРАВМ.** Для належного поводження з пристроєм, для його підготовки, здійснення технічного обслуговування, запуску та зупинки слід уважно прочитати цю інструкцію. Ознайомтеся зі всіма засобами керування пристроєм, а також із правилами його належного використання. (1)
- Рекомендується передавати цей інструмент в користування тільки тим особам, які мають досвід роботи з пилою для підрізування живоплоту. З цим пристроєм слід завжди передавати й інструкцію.
- Особи, які користуються цим пристроєм вперше, повинні попросити дилера надати основні інструкції щодо належного поводження з пилою для підрізування живоплоту.
- Дітям та молодим особам, вік яких менше 18 років, заборонено користуватись пилою для підрізування живоплоту. Разом з тим особам, яким вже виповнилося 16, дозволяється використовувати пристрій з навчальною метою, однак тільки під наглядом кваліфікованого інструктора.
- Пилою для підрізування живоплоту слід завжди користуватись із максимальною обережністю та увагою.
- Працювати з пилою для підрізування живоплоту можна тільки у добромu фізичному стані. Усю роботу слід виконувати спокійно та обережно. Користувач несе відповідальність за інших людей.
- Заборонено використовувати пилу для підрізування живоплоту після прийняття лікарських препаратів чи алкоголю або у разі втоми чи хворобливого стану. (2)

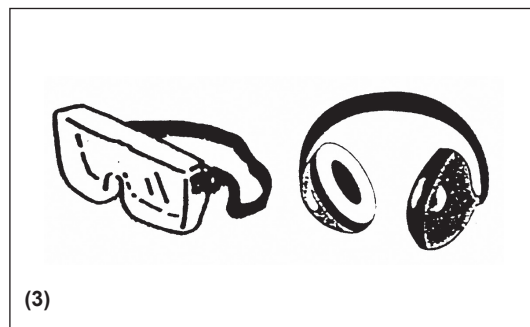


### Використання пристрою за призначенням

- Пила для підрізування живоплоту призначена виключно для підстригання кущів та живої огорожі; забороняється використовувати пристрій для будь-яких інших цілей. Слід обережно поводитися з пилою.

### Засоби індивідуального захисту

- Одяг, який Ви носите, повинен бути функціональним та відповідним, тобто він має щільно прилягати, проте не заважати роботі. Заборонено надягати прикраси або надто вільний одяг, які можуть заплутатись в гілках, кущах або пристрої.
- З метою запобігання травмам очей, рук або ніг, а також для захисту органів слуху під час роботи з пилою для підрізування живоплоту слід використовувати такі засоби захисту та захисний спецодяг.
- Під час роботи з пилою для підрізування живоплоту завжди надягайте захисні окуляри або захисну маску, щоб запобігти травмам очей. (3)
- Слід використовувати належні засоби захисту від шуму, щоб запобігти порушенням слуху, наприклад, навушники, вушні втулки тощо. (3)
- Ми наполегливо рекомендуємо надягати робочий спецодяг. (4)
- Спеціальні рукавички з товстої шкіри є частиною пропонованого обладнання, та їх слід завжди надягати під час роботи із пилою для підрізування живоплоту. (4)
- Використовуючи пилу для підрізування живоплоту, завжди надягайте міцне взуття з підшвами, що не ковзають. Це захистить Вас від травм та забезпечить стійку опору на ноги. (4)



## Запуск пили для підрізування живоплоту

- Будь ласка, перевіряйте, щоб в зоні 15 метрів (5) не було дітей або сторонніх осіб, також слідкуйте за тваринами поблизу місця роботи.
- Перед початком роботи завжди перевіряйте, щоб пила для підрізування живоплоту знаходилася в безпечному для роботи стані.
- Перевіряйте надійність кріплення важеля керування двигуном. Слід перевіряти плавність та легкість ходу важеля керування двигуном. Перевіряйте також належне функціонування замку важеля керування двигуном. Слідкуйте за тим, щоб ручки були чисті та сухі, та перевіряйте функціональність пускового перемикача. Слідкуйте за тим, щоб на ручках не було мастила та палива.

Запускайте пилу для підрізування живоплоту строго у відповідності до інструкцій.

### Не використовуйте інші засоби для запуску двигуна (6)!

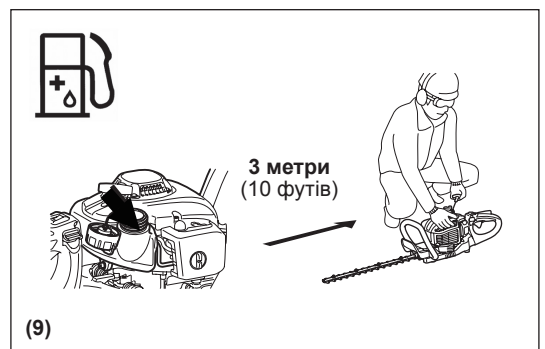
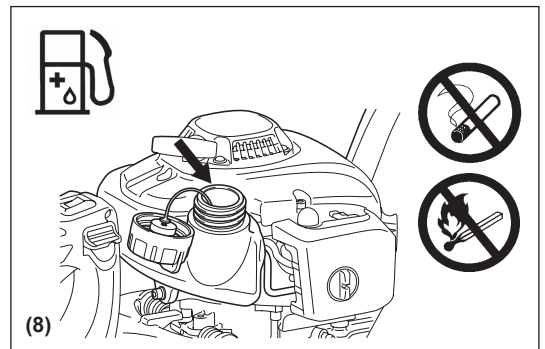
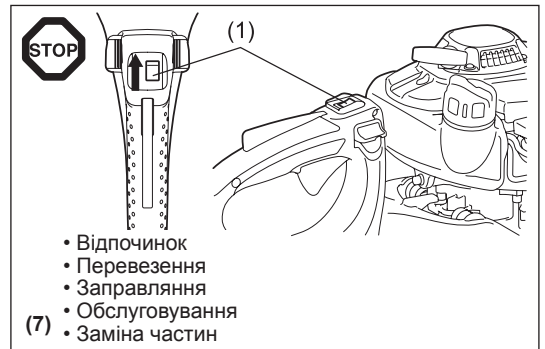
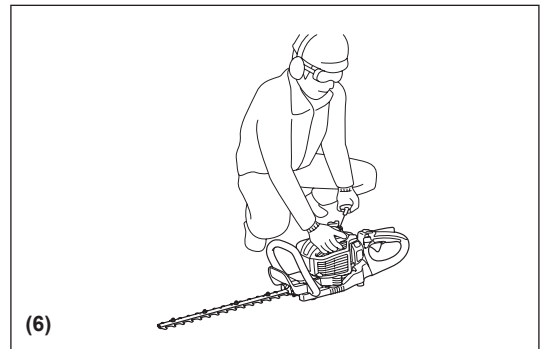
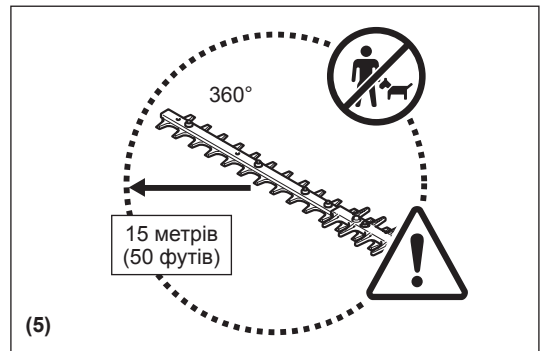
- Використовуйте пилу для підрізування живоплоту тільки за призначенням.
- Запускайте двигун пили для підрізування живоплоту тільки після того, як прилад було повністю зібрано. Робота з пилою для підрізування живоплоту дозволяється тільки після прикріплення всього відповідного приладдя!
- Перед початком роботи слід перевіряти, щоб ріжуче полотно не торкалося сторонніх предметів, наприклад, гілля, каміння тощо.
- У випадку виникнення будь-яких проблем з двигуном його треба негайно зупинити.
- Під час роботи слід триматися за обидві, а саме за передню та задню, ручки, міцно охоплюючи їх пальцями. Ручки повинні бути чистими, сухими, без залишок мастила, смоли та змачувальних речовин.

### Постійно слідкуйте за надійним, стійким положенням ніг.

- Використовуйте пристрій тільки поза приміщенням.
- Завжди слідкуйте за навколишньою ситуацією та будьте уважні, оскільки Ви можете не почути наближення небезпеки через шум пристрою.
- Користуйтеся пилою для підрізування живоплоту таким чином, щоб уникнути вдихання вихлопних газів. Ніколи не вмикайте двигун в закритому приміщенні (небезпека удушення та отруєння газом). Чадний газ не має запаху. Перевіряйте наявність відповідної вентиляції.
- Коли Ви відпочиваєте або залишаєте пилу для підрізування живоплоту без нагляду, зупиняйте двигун. Кладіть інструмент в належне місце, щоб запобігти небезпеці інших осіб, займанню займистих матеріалів або пошкодженню пристрою.
- Ніколи не кладіть гарячу пилу для підрізування живоплоту на суху траву або на поверхню із займистого матеріалу.
- Щоб знизити небезпеку займання, не допускайте потрапляння сміття, листя або надмірної кількості мастила у двигун та глушитель.
- Ніколи не запускайте двигун, якщо глушитель пошкоджено.
- Зупиняйте двигун на час транспортування (7).
- Зупиняйте двигун:
  - перед прочищенням засмічення;
  - перед перевіркою, технічним обслуговуванням або проведенням робіт на пристрої.
- Щоб запобігти витіканню палива, забезпечуйте безпечне розташування пили для підрізування живоплоту під час перевезення в автомобілі.
- Щоб запобігти витіканню палива під час перевезення пили для підрізування живоплоту, слідкуйте за тим, щоб паливний бак був порожнім.
- Під час транспортування або зберігання пристрою слід завжди приєднувати захисний щиток ріжучої частини.

## Заправлення

- Перед заправленням (7) слід зупинити двигун, розташувати пристрій подальше від відкритого вогню (8) та не палити.
- Не намагайтеся заправляти двигун, що не зупинився або не охолонув.
- Уникайте контакту шкіри з нафтопродуктами. Не вдихайте випарування палива. Під час заправлення завжди надягайте захисні рукавиці. Регулярно замінійте та чистьте захисний одяг.
- Будьте обережні, щоб не розлити паливо або мастило, оскільки це призведе до забруднення ґрунту (захист довкілля). Якщо Ви розлили паливо, негайно очистіть пилу для підрізування живоплоту. Дайте тканині, яку використовували для очищення пили від палива, просохнути в добре вентиляваному приміщенні перед тим, як її утилізувати. Якщо цього не зробити, може трапитись самозаймання.
- Уникайте контакту палива з одягом. Негайно замінійте одяг, якщо на нього потрапить паливо (небезпека).
- Регулярно перевіряйте кришку паливного баку, аби переконатись, що вона надійно закріплена.
- Надійно затягніть кришку паливного баку. Перед увімкненням двигуна переходьте в інше місце (щонайменш на 3 метри від місця заправлення) (9).
- Ніколи не заправляйте пристрій в закритому приміщенні. Випарування палива збираються на рівні підлоги (небезпека вибуху).
- Перевозіть та зберігайте паливо у відповідних ємностях. Слідкуйте за тим, щоб діти не мали доступу до палива, яке Ви зберігаєте.
- Змішуючи бензин з мастилом для двотактного двигуна, використовуйте тільки бензин, який не містить етанол або метанол (типи спирту). Це допоможе запобігти пошкодженню лінії постачання палива та інших деталей двигуна.

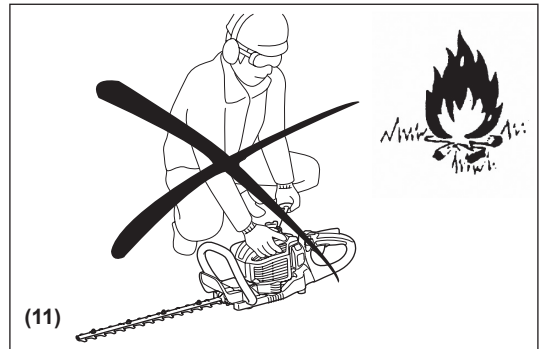


## Порядок роботи

- Під час роботи слід завжди триматися за ручки пристрою обома руками.
- Пилу для підрізування живоплоту можна використовувати тільки за умов гарного освітлення та видимості. У холодну пору року бережіться слизьких або вологих ділянок, льоду та снігу (небезпека ковзання). Постійно слідкуйте за надійною опорою на ноги.
- Ніколи не працюйте на нестійких або крутих поверхнях.
- Ніколи не стійте на сходах під час роботи з пилою для підрізування живоплоту.
- Ніколи не залізайте на дерева для виконання робіт за допомогою пили для підрізування живоплоту.
- Щоб зменшити ризик спотикання та втрати контролю, не робіть кроків назад під час роботи з пристроєм.
- Перш ніж проводити чистку, технічне обслуговування пристрою або заміну його частин завжди вимикайте двигун.
- Ніколи не користуйтеся пристроєм з пошкодженою або надмірно зношеною ріжучою частиною.

## Інструкції щодо технічного обслуговування

- Пам'ятайте про захист довкілля. Використовуйте пилу для підрізування живоплоту з якомога меншим рівнем шуму та забруднення. Зокрема, перевіряйте належне налаштування карбюратора.
- Регулярно чистьте пилу для підрізування живоплоту та перевіряйте, чи надійно затягнуті всі гвинти та гайки.
- Ніколи не здійснюйте технічне обслуговування пили для підрізування живоплоту та не кладіть її на зберігання неподалік від відкритого полум'я, джерела іскор тощо (11).
- Зберігайте пилу для підрізування живоплоту з порожнім паливним баком.
- Щоб запобігти пожежі, не кладіть пилу для підрізування живоплоту на зберігання неподалік від відкритого полум'я.
- Завжди зберігайте пилу для підрізування живоплоту з порожнім паливним баком подалі від дітей на високій полиці або в зачиненому приміщенні з гарною вентиляцією.
- Не намагайтеся ремонтувати пристрій самотужки, якщо у Вас немає відповідної кваліфікації.



**Дотримуйтесь усіх відповідних інструкцій із запобігання нещасним випадкам, що видаються відділками безпеки професійних об'єднань та страховими компаніями.**

**Забороняється будь-яким чином модифікувати пилу для підрізування живоплоту, оскільки це загрожуватиме Вашій безпеці.**

Технічне обслуговування та ремонт, покладені на користувача, обмежуються діями, описаними в цій інструкції. Усі інші роботи повинні виконуватися співробітниками авторизованої станції технічного обслуговування. Використовуйте тільки оригінальні запасні частини та приладдя, що постачаються дистриб'юторами або авторизованими центрами обслуговування компанії DOLMAR. Використання nereкомендованого приладдя та інструментів підвищує ризик виникнення нещасних випадків або отримання травм. Компанія DOLMAR не несе відповідальності за нещасні випадки або пошкодження, що сталися в результаті використання nereкомендованого приладдя.

## Перша допомога

На випадок екстрених ситуацій перевіряйте, щоб аптечка для надання першої медичної допомоги, яка повинна бути укомплектована згідно зі стандартом DIN 13164, знаходилася неподалік від місця роботи. Слід одразу ж замінювати предмети з аптечки, які були використані.

**Викликаючи допомогу, слід надавати таку інформацію:**

- Місце нещасного випадку
- Що сталося
- Кількість поранених людей
- Типи поранень
- Ваше ім'я

## Упакування

Пила для підрізування живоплоту DOLMAR поставляється в захисній картонній коробці, яка запобігає пошкодженню пристрою під час транспортування. Картон є базовою сировиною, тому його можна використовувати повторно або переробляти (переробка паперових відходів).





## ДЕКЛАРАЦІЯ ПРО ВІДПОВІДНІСТЬ СТАНДАРТАМ ЄС

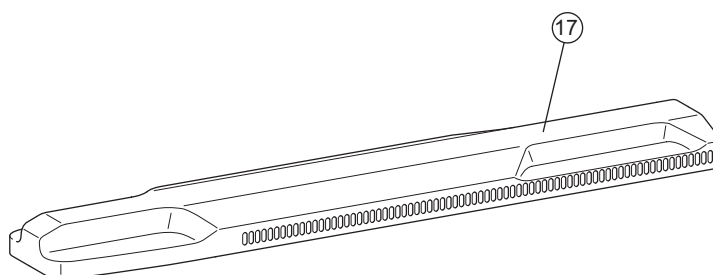
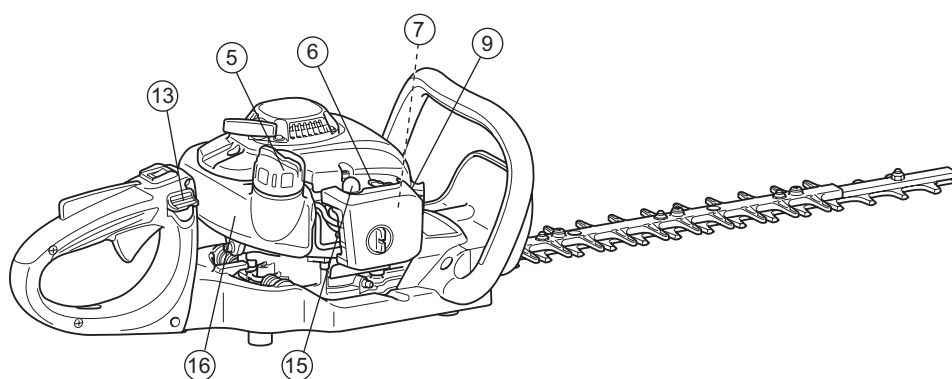
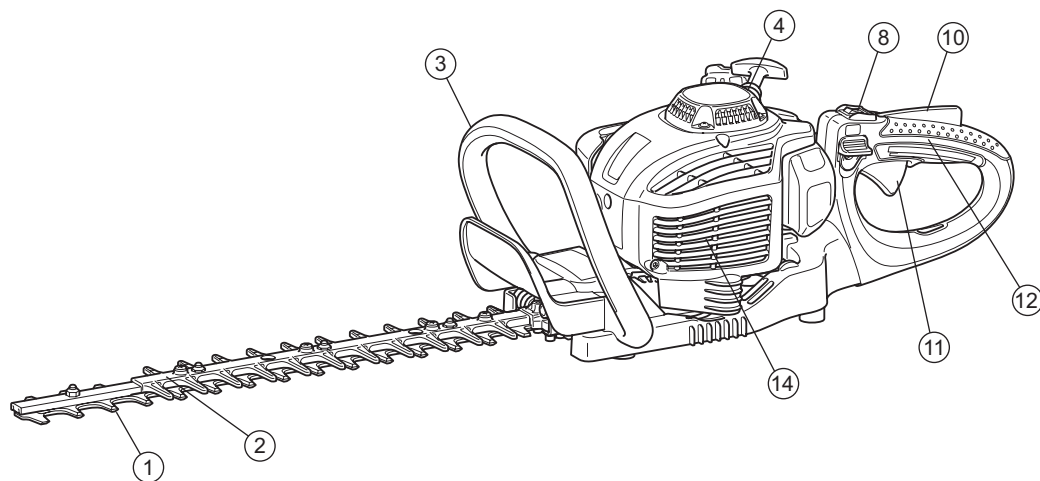
Тільки для країн Європи

Декларація про відповідність стандартам ЄС входить до цих інструкцій з експлуатації як Додаток А.

### ТЕХНІЧНІ ДАНІ

Модель		HT-2350D	HT-2360D	HT-2375D	
Розмір (Д x Ш x В)	мм	1014 x 262 x 216	1119 x 262 x 216	1259 x 262 x 216	
Маса (без кришки для ріжучого полотна)	кг	4,8	5,0	5,2	
Об'єм (паливного баку)	л	0,4			
Робочий об'єм циліндра двигуна	см <sup>3</sup>	22,2			
Довжина різання	мм	483	588	728	
Максимальна продуктивність двигуна	кВт	0,68			
Кількість рухів за хвилину	хв. <sup>-1</sup>	4270			
Швидкість холостого ходу	хв. <sup>-1</sup>	3000			
Швидкість включення зчеплення	хв. <sup>-1</sup>	4000			
Тип карбюратора	тип	WALBRO WYL			
Система запалювання	тип	Запалювання в стані спокою			
Свічка запалювання	тип	NGK CMR6A			
Відстань між електродами	мм	0,7 - 0,8			
Вібрація згідно з EN ISO 10517	Права ручка	$a_{hv\ eq}$ м/с <sup>2</sup>	2,5	2,7	2,3
		Похибка (К) м/с <sup>2</sup>	1,3	1,1	1,6
	Ліва ручка	$a_{hv\ eq}$ м/с <sup>2</sup>	2,5	2,8	2,3
		Похибка (К) м/с <sup>2</sup>	1,3	1,1	1,2
Шум згідно з EN ISO 10517	Рівень звукового тиску	дБ (А)	93,0	92,8	93,9
		Похибка (К) дБ (А)	1,4	2,2	1,2
	Рівень акустичної потужності	дБ (А)	103,0	103,2	103,8
		Похибка (К) дБ (А)	2,1	1,5	1,3
Склад суміші (паливо : мастило для двигуна)	Оригінальне мастило для двотактного двигуна DOLMAR	50 : 1			
	Мастило для двотактного двигуна іншого виробника	25 : 1			
Передатне відношення		9 : 43			

## ПРИЗНАЧЕННЯ ЧАСТИН



	ПРИЗНАЧЕННЯ ЧАСТИН		ПРИЗНАЧЕННЯ ЧАСТИН		ПРИЗНАЧЕННЯ ЧАСТИН
1	Ріжуче полотно	7	Карбюратор (не показано)	13	Віджимний важіль
2	Тупий подовжувач	8	Пусковий перемикач (УВІМК.-ВИМК.)	14	Глушитель
3	Передня ручка	9	Свічка запалювання	15	Головний насос
4	Ручний стартер	10	Важіль блокування	16	Паливний бак
5	Кришка паливного баку	11	Важіль керування двигуном	17	Кришка для ріжучого полотна
6	Важіль дроселювання	12	Задня ручка		

## Суміш палива та мастила

- Пила для підрізування живоплоту оснащена високопродуктивним двотактним двигуном.

Він працює на суміші палива з мастилом для двотактного двигуна. Двигун розрахований на неетиловане паливо з мінімальним октановим числом 91 ROZ.

Якщо такого палива немає в наявності, Ви можете використовувати паливо з більшим октановим числом. Це не завдасть шкоди двигуну, але може призвести до зниження продуктивності роботи.

Аналогічна ситуація може виникнути внаслідок використання етилованого палива.

Щоб досягти найкращої продуктивності роботи двигуна та не завдати шкоди власному здоров'ю та довкіллю, слід використовувати тільки неетиловане паливо!

- Для змащування двигуна використовуйте мастило для двотактного двигуна (стандарт якості: TSC-3), яке слід додавати до палива. Двигун розрахований на використання мастила для двотактного двигуна DOLMAR у співвідношенні суміші 50:1 для захисту навколишнього середовища. Крім того, гарантується тривалий термін служби та надійна робота з мінімальним викидом вихлопних газів. Дуже важливо дотримуватися складу суміші у співвідношенні 50:1 (мастило для 2-тактного двигуна DOLMAR), інакше надійна робота пили для підрізування живоплоту не гарантується.
- Належний склад суміші:  
 Бензин : Вказане мастило для двотактного двигуна = 50 : 1 або  
 Бензин : Мастило для двотактного двигуна іншого виробника = 25 : 1  
 рекомендується

**ПРИМІТКА:** Для приготування суміші палива та мастила спочатку змішайте всю необхідну кількість мастила з половиною необхідної кількості палива у дозволений для використання ємності, яка відповідає всім місцевим стандартам. Потім додайте паливо, що залишилось. Ретельно перемішайте суміш перш ніж заливати її до баку пили для підрізування живоплоту.

Для забезпечення безпечної роботи недоцільно додавати більше мастила, ніж зазначено. Це тільки призведе до більшого викиду продуктів згоряння, які забруднюватимуть довкілля та засмічуватимуть вихлопний канал в циліндрі та глушитель. Крім того, витрата палива збільшиться, а продуктивність роботи знизиться.

## Поводження з нафтопродуктами

Поводитися з паливом слід особливо обережно. Паливо може вмщати речовини, подібні розчинникам. Заправляйте пристрій або в добре вентильованому приміщенні, або поза приміщенням. Не вдихайте випарування, уникайте контакту палива або мастила зі шкірою. Якщо ці речовини постійно потраплятимуть на шкіру протягом тривалого часу, це призведе до її зневоднювання.

Це також може призвести до появи різних хвороб шкіри. Крім того, можуть виникнути алергічні реакції.

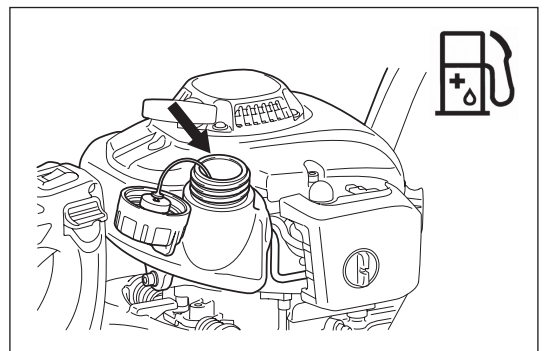
Потрапляння мастила, палива тощо в очі може призвести до їх подразнення.

У разі потрапляння мастила, палива тощо в очі слід негайно промити чистою водою.

Якщо подразнення не пройшло, слід негайно звернутись до лікаря!



Дотримуйтесь інструкцій з техніки безпеки, наведених на стор. 103.



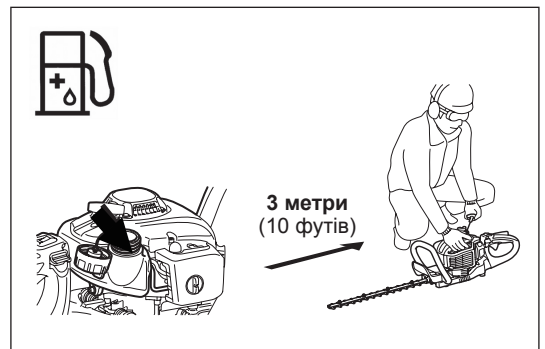
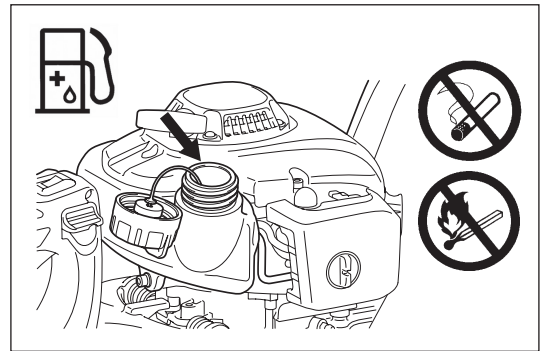
Бензин	Мастило
50:1	25:1
+	
50:1	
1000 см <sup>3</sup> (1 літр) 5000 см <sup>3</sup> (5 літрів) 10000 см <sup>3</sup> (10 літрів)	20 см <sup>3</sup> 40 см <sup>3</sup> 100 см <sup>3</sup> 200 см <sup>3</sup> 200 см <sup>3</sup> 400 см <sup>3</sup>

## Заправлення

- Двигун повинен бути вимкненим.
- Під час заправлення завжди вимикайте двигун, тримайтеся подалі від джерела вогню та не паліть.
- Будьте обережні, щоб не розлити паливо або мастило, оскільки це призведе до забруднення ґрунту. Якщо Ви розлили паливо, негайно очистіть пилу для підрізування живоплоту.
- Не проливайте паливо на двигун. У разі проливання палива одразу ж витирайте.
- Уникайте контакту палива з одягом. Негайно замініть одяг, якщо на нього потрапить паливо (щоб запобігти займанню одягу).
- Регулярно перевіряйте кришку паливного баку, аби переконатись, що вона надійно закріплена та не протікає.
- Надійно затягуйте кришку паливного баку. Перед увімкненням двигуна переходьте в інше місце (щонайменш на 3 метри від місця заправлення).
- Ніколи не заправляйте пристрій в закритому приміщенні. Випарування палива збираються на рівні підлоги (небезпека вибуху).
- Перевозіть та зберігайте паливо тільки у відповідних ємностях. Слідкуйте за тим, щоб діти не мали доступу до палива, яке Ви зберігаєте.
- Ретельно чистьте зону навколо кришки баку, щоб уникнути потрапляння бруду усередину.
- Відкрутіть кришку баку та залийте паливо. Для очищення палива користуйтеся сітчастим фільтром.
- Міцно затягуйте кришку рукою.
- Після заправлення чистьте зону навколо кришки баку та самого баку.
- Завжди витирайте пролите паливо, щоб запобігти пожежі.

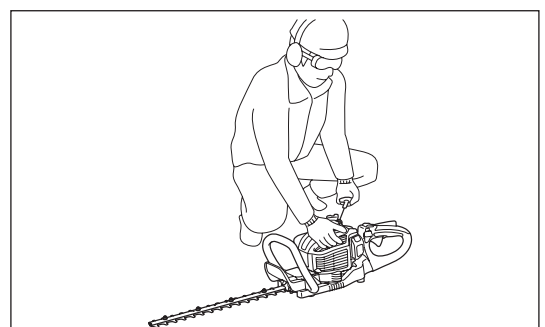
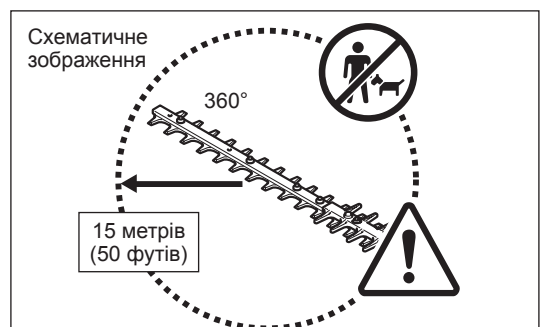
## Зберігання палива

- Паливо не можна зберігати протягом занадто довгого періоду часу.
- Купуйте стільки палива, скільки Вам вистачить на 4 тижні роботи.
- Зберігайте паливо у придатних для цього ємностях.



## ЗАХОДИ БЕЗПЕКИ ПЕРЕД ПОЧАТКОМ РОБОТИ

- Слідкуйте за тим, щоб в зоні 15 метрів не було дітей або сторонніх осіб. Також слідкуйте за тваринами поблизу місця роботи.
- Перед користуванням завжди перевіряйте, щоб пила для підрізування живоплоту знаходилася в безпечному для роботи стані. Перевіряйте цілісність ріжучої частини, легкість ходу важеля керування та належну функціональність пускового перемикача. Переконайтеся в тому, що ріжуче полотно не обертається на холостому ході двигуна. Якщо у Вас виникають питання щодо регулювання, звертайтеся до Вашого дилера. Слідкуйте за тим, щоб ручки були чисті та сухі, та перевіряйте функціональність пускового перемикача.
- Запускайте пилу для підрізування живоплоту строго у відповідності до інструкції. Не використовуйте інші способи запуску двигуна (див. розділ Запуск).
- Запускайте двигун тільки після того, як прилад було повністю зібрано. Двигун дозволяється вмикати тільки після прикріплення всього відповідного приладдя. Інакше є ризик отримання травм.
- Перед початком роботи слід перевіряти, щоб ріжуче полотно не торкалося сторонніх предметів, наприклад, гілля, каміння тощо.
- Перед початком роботи з підрізування живоплоту слід оглядати робочу зону на наявність дротів, шнурів, скла або інших сторонніх предметів, які можуть зачепити ріжуче полотно.
- Ураження електричним струмом. Слід уникати будь-яких електричних ліній та огорож. Перш ніж починати різання, перевіряйте робочу зону на їх наявність.



## ЗАПУСК ПРИСТРОЮ

Відійдіть щонайменш на 3 метри від місця заправлення. Розташуйте пилу для підрізування живоплоту на чистій ділянці землі. Переконайтесь, що ріжуче полотно не торкається землі та інших предметів.

**Холодний пуск:** (коли двигун холодний або вимкнений протягом 5 хвилин та більше, а також пуск після заправлення)

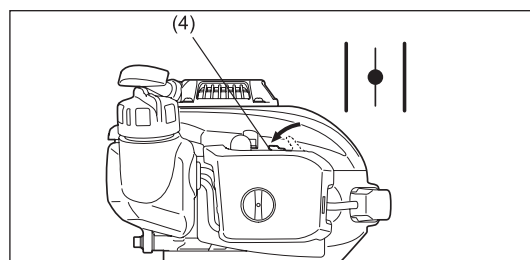
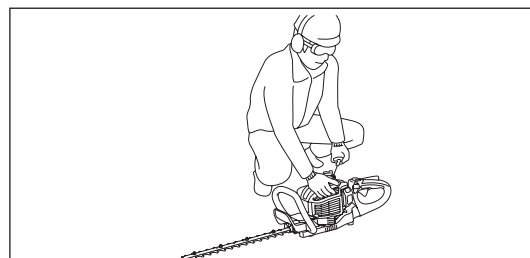
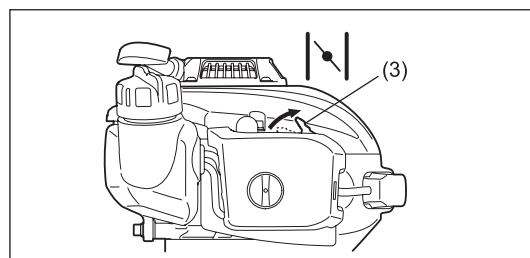
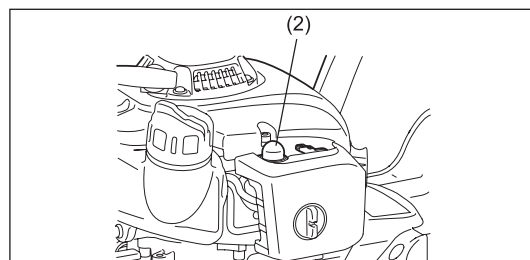
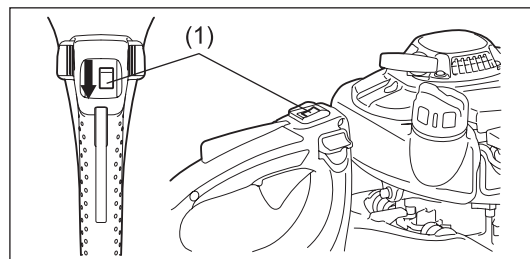
1. Встановіть пусковий перемикач (1) в положення "I".
2. Злегка натисніть на головний насос (2) декілька разів (7 - 10 разів), доки паливо не потрапить до нього.
3. Переведіть важіль дроселювання (3) у положення "I".
4. Опустіть пилу для підрізування живоплоту, міцно тримаючи її, щоб не втратити контроль під час запуску двигуна. Якщо цього не зробити, пристрій може впасти, а контакт із ріжучим полотном може призвести до серйозних травм та/або пошкодження майна.
5. Повільно потягніть ручку стартера на 10 - 15 см, доки не відчуєте опір.
6. Відчуваючи опір, потягніть ручку стартера сильніше і запустіть двигун.
7. Коли двигун запускається або несподівано запускається та зупиняється, поверніть важіль дроселювання (4) у положення "I".
8. Дайте двигуну попрацювати на середній швидкості протягом хвилини, перш ніж встановлювати важіль керування двигуном на максимальну швидкість.

**Примітка:**

- Якщо неодноразово потягнути ручку стартера, коли важіль дроселювання залишається в положенні "I", двигун не запуститься одразу через надмірну подачу палива.
- У випадку надмірної подачі палива видаліть свічку запалювання та повільно потягніть ручку стартера, щоб видалити зайве паливо. Також висушіть електрод свічки запалювання.

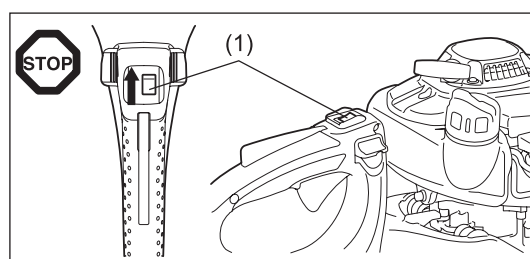
**Гарячий пуск:** (повторний пуск одразу після зупинки двигуна) Запускаючи гарячий двигун, спочатку спробуйте виконати наведені вище процедури: 1, 2, 4, 5, 6, важіль дроселювання (4) має бути у положенні "I". Якщо двигун не запускається, повторіть наведені вище кроки 1-8.

**Примітка:** Не витягуйте трос стартера до кінця. Також не дозволяйте йому безконтрольно втягуватися. Він повинен втягуватися повільно.



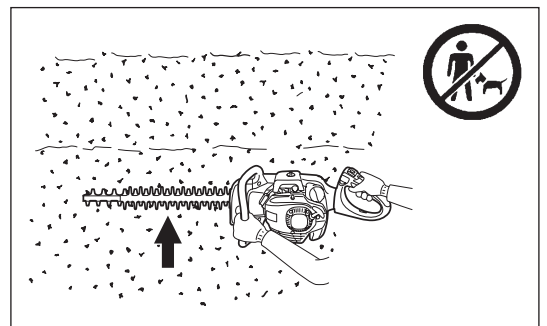
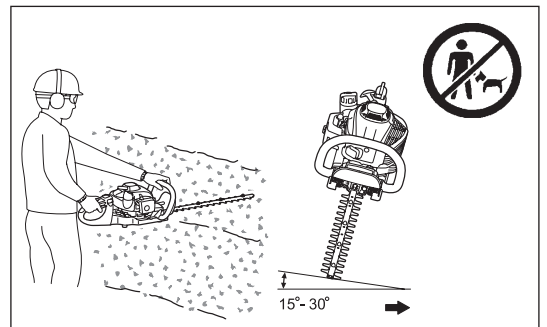
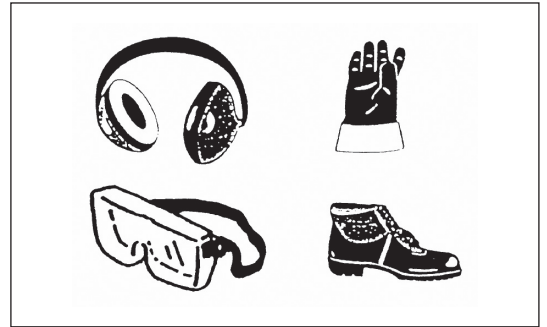
## ЗУПИНКА ПРИСТРОЮ

1. Повністю відпустіть важіль керування двигуном.
2. Встановіть пусковий перемикач (1) в положення "O". Кількість обертів двигуна знизиться, і двигун зупиниться.



## РОБОТА З ПРИСТРОЄМ

- Ніколи не використовуйте пилу для підрізування живоплоту, відпустивши ручку.
- Ніколи не торкайтеся ріжучого полотна під час запуску або роботи двигуна.
- Користуйтеся пилою для підрізування живоплоту таким чином, щоб уникнути вдихання вихлопних газів. Ніколи не вмикайте двигун у закритому приміщенні (небезпека отруєння газом). Чадний газ не має запаху.
- Під час роботи необхідно використовувати всі захисні пристрої, які входять до комплекту, наприклад, щитки.
- Ніколи не користуйтеся двигуном, якщо глушитель пошкоджено або знято.
- Пилу для підрізування живоплоту можна використовувати тільки за умов гарного освітлення та видимості.
- Взимку бережіться слизьких або вологих ділянок, льоду та снігу (небезпека ковзання). Постійно слідкуйте за надійною опорою на ноги.
- Ніколи не стійте на сходах під час роботи з пилою для підрізування живоплоту. Стійте на поверхні обома ногами.
- Ніколи не залізайте на дерева для виконання робіт за допомогою пили для підрізування живоплоту.
- Заборонено працювати на нестійких поверхнях.
- Якщо в межах місця роботи знаходяться цвяхи, дроти, пісок, каміння тощо, їх слід прибрати. Сторонні предмети можуть пошкодити ріжуче полотно.
- Перед тим як розпочати різання, відріжте гілки товщиною 8 мм або більше за допомогою секатора.
- Перед початком різання ріжуче полотно повинно розвинути повну робочу швидкість.
- Завжди надійно тримайте пилу для підрізування живоплоту за обидві ручки.
- Тримайте ручки міцно; ручка повинна проходити між великим та вказівним пальцями.
- Коли Ви відпускаєте важіль керування двигуном, ріжуче полотно зупиняється тільки через декілька секунд.
- Забороняється використовувати пилу для підрізування живоплоту на холостому ході при великій кількості обертів. На холостому ході при великій кількості обертів не можна регулювати швидкість різання за допомогою важеля керування двигуном.
- Під час роботи тримайте пилу для підрізування живоплоту таким чином, щоб ріжуче полотно було розташоване під кутом 15-30° до лінії відрізу.
- Будьте особливо уважні під час різання живоплоту, що росте на огорожі з дроту або біля неї.
- Не торкайтеся ріжучим полотном пили твердих предметів, наприклад, каміння, землі або огорожі з дроту. Через це ріжуче полотно може тріснути, зламатися або розколотися.
- Якщо ріжуче полотно наштовхнеться на каміння або на інші тверді предмети, слід негайно вимкнути двигун та оглянути його на наявність пошкоджень. Перш ніж продовжувати роботу, слід замінити пошкоджене ріжуче полотно.
- Не забувайте час від часу відпочивати. Компанія DOLMAR рекомендує робити паузу на 10 - 20 хвилин після кожних 50 хвилин роботи.
- У разі виникнення будь-яких проблем з двигуном його треба негайно вимкнути.
- Використовуйте пилу для підрізування живоплоту з якомога меншим рівнем шуму та забруднення. Зокрема, перевіряйте правильність налаштування карбюратора та співвідношення палива та мастила.
- Ніколи не намагайтеся видалити застряглий відрізний матеріал, коли ріжуче полотно рухається. Слід опустити і вимкнути пристрій, а потім видалити стружку.



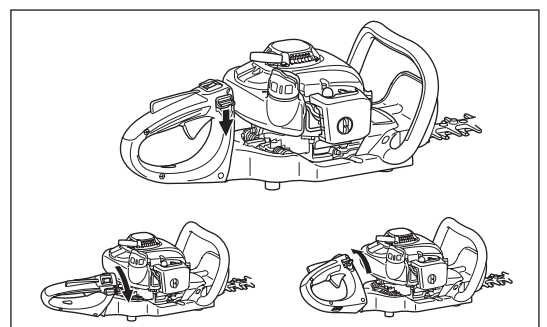
## НАЛАШТУВАННЯ КУТА ЗАДНЬОЇ РУЧКИ

Положення задньої ручки можна встановити на 90°, повертаючи її ліворуч або праворуч і фіксуючи її положення кожен раз на 45°.

Щоб змінити кут задньої ручки:

1. Натисніть на віджимний важіль, щоб розблокувати ручку.
2. Встановіть ручку у положення з кутом нахилу 0°, 45° або 90°.
3. Переконайтеся, що віджимний важіль повернувся у вихідне положення та зафіксував ручку.

Не тягніть за важіль керування двигуном, коли задню ручку розблоковано. Забороняється розблоковувати її під час роботи пристрою.



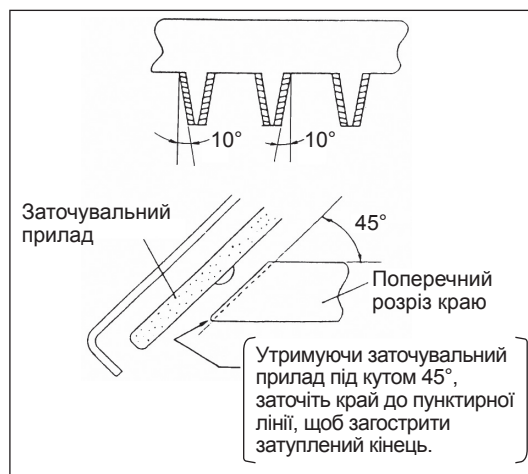
## ІНСТРУКЦІЇ ЩОДО ТЕХНІЧНОГО ОБСЛУГОВУВАННЯ

- Коли Ви заточуєте/замінюєте/чистите ріжуче полотно або проводите технічне обслуговування, вимикайте двигун та виймайте контакт свічки запалювання.
- Ніколи не зварюйте та не випрямляйте пошкоджене ріжуче полотно.
- Частіше оглядайте ріжуче полотно на наявність пошкоджень (двигун при цьому повинен бути вимкненим).
- Слідкуйте за тим, щоб ріжуче полотно було гострим.
- Регулярно чистьте пилу для підрізування живоплоту та перевіряйте, чи надійно затягнуті всі гвинти та гайки.
- Щоб уникнути пожежі, ніколи не здійснюйте технічне обслуговування пили для підрізування живоплоту неподалік від відкритого полум'я.
- Коли Ви працюєте з ріжучим полотном або заточуєте його, завжди надягайте шкіряні рукавиці, оскільки ріжуче полотно гостре.

### Заточування ріжучого полотна

Якщо краї ріжучого полотна мають закруглену форму, а пристрій не ріже належним чином, заточіть тільки заштриховані ділянки ріжучого полотна. Не заточуйте контактні поверхні (поверхні, що пересуваються) на верхньому та нижньому краях.

- Перш ніж починати заточування, переконайтеся, що ріжуче полотно надійно зафіксовано, двигун вимкнено, а свічку запалювання знято.
- Надягніть рукавиці, захисні окуляри тощо.
- Не знімайте забагато матеріалу. Це може пошкодити твердий шар ріжучого полотна та призвести до його швидкого зношення під час роботи.

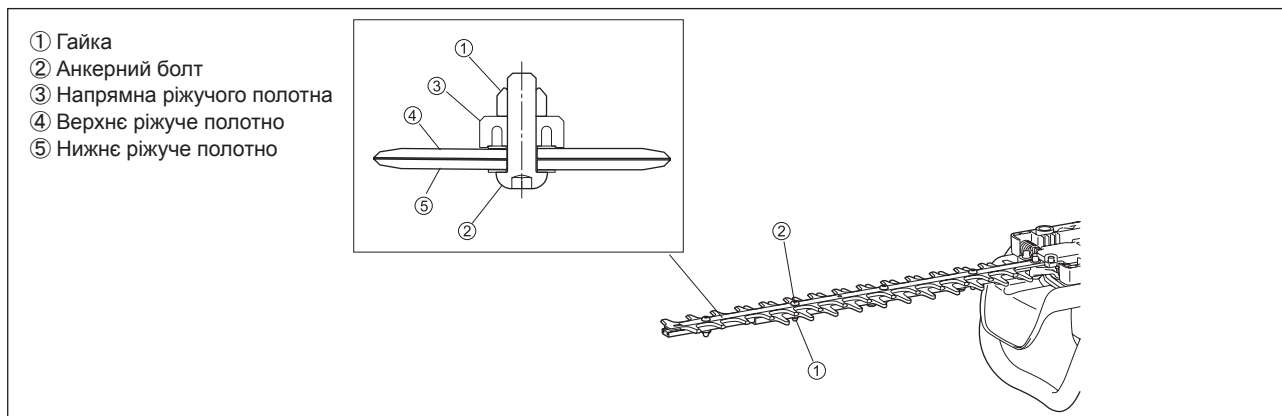


### Налаштування зазору ріжучого полотна

Зношення верхньої/нижньої частини полотна. Якщо ріжуче полотно гостре, але пристрій працює недостатньо ефективно, налаштуйте зазор наступним чином.

1. Послабте гвинти та зніміть тупий подовжувач.
2. Послабте гайку (1) за допомогою торцевого або ріжкового гайкового ключа.
3. Злегка затягніть анкерний болт (2) за допомогою шестигранного ключа, доки він не зупиниться, а потім викрутіть його назад на чверть оберту.
4. Затягніть гайку (1), одночасно утримуючи анкерний болт (2).
5. Нанесіть невелику кількість мастила на поверхню тертя ріжучого полотна.
6. Запустіть двигун та протягом хвилини кілька разів пересуньте важіль керування між положеннями УВІМК. та ВІМК.
7. Виміряйте час, необхідний для зупинки полотна після відпускання важеля керування двигуном. Якщо цей час становить дві секунди або більше, зупиніть двигун та повторіть кроки 2-7.
8. Зупиніть двигун та доторкніться рукою до поверхні ріжучого полотна. Якщо вона не дуже гаряча і до неї можна доторкнутися, налаштування було вірним. Якщо вона занадто гаряча для того, щоб до неї можна було доторкнутися, трохи відкрутіть анкерний болт (2) та повторіть кроки 6-8.
9. Встановіть тупий подовжувач та затягніть гвинти.

**ПРИМІТКА:** Перед тим як виконати регулювання, зупиніть двигун та дочекайтеся, поки зупиниться ріжуче полотно. На ріжучому полотні навколо гвинта (2) є паз. Якщо в такому пазу накопичився пил, прочистіть його.



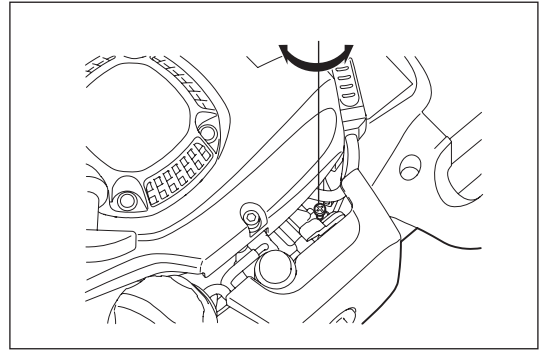
## Перевірка та налаштування швидкості холостого ходу

Коли двигун працює на холостому ході, ріжуче полотно не повинно рухатися.

- Швидкість холостого ходу має бути встановлена на 3000 хв.<sup>-1</sup> (об/хв.).
- За необхідності відрегулюйте гвинт регулювання швидкості холостого ходу (ріжуче полотно не повинно рухатись, коли двигун переведено в режим холостого ходу).
  - Ріжуче полотно рухається, коли двигун працює на холостому ході – поверніть гвинт регулювання обертів холостого ходу проти годинникової стрілки, щоб зменшити кількість обертів холостого ходу.
  - Двигун зупиняється, працюючи на холостому ході – поверніть гвинт регулювання обертів холостого ходу за годинниковою стрілкою, щоб збільшити кількість обертів холостого ходу.

Якщо після проведення регулювання ріжуче полотно все ще продовжує рухатись на холостому ході, зверніться до співробітника найближчої авторизованої станції технічного обслуговування.

- Швидкість включення зчеплення повинна дорівнювати 3750 хв.<sup>-1</sup> (об/хв.) або більше.
- Перевірте функціонування пускового перемикача, важеля блокування та важеля керування двигуном.



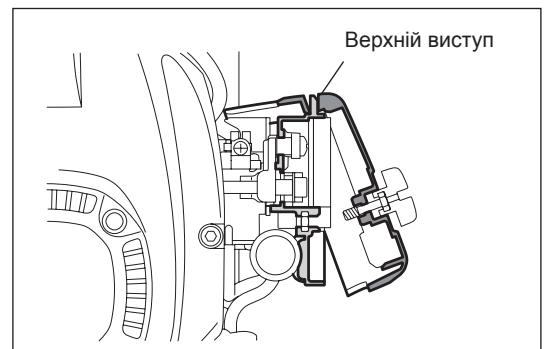
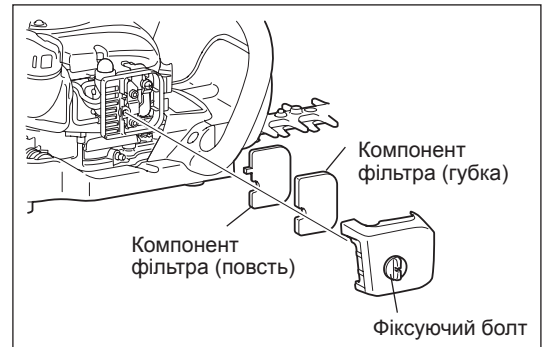
## Чищення повітряного фільтра



**ЗАГРОЗА: Займісті речовини суворо заборонені**

Повітряний фільтр слід перевіряти та чистити щодня або через кожні 10 годин роботи.

- Повністю поверніть важіль дроселювання в сторону закриття, тримайте карбюратор подалі від пилу та бруду.
- Послабте фіксуючий болт.
- Потягніть за нижню частину кришки повітряного фільтра, пересуньте її вперед та зніміть.
- Якщо мастило налипне на компонент фільтра (губку), міцно вижніть його.
- У випадку сильного забруднення:
  - 1) Зніміть компонент фільтра (губку), занурте його в теплу воду або у водорозчинний нейтральний детергент, після чого повністю висушіть його.
  - 2) Очистіть компонент фільтра (повсть) бензином, після чого повністю висушіть його.
- Перед тим як встановити компоненти, переконайтеся, що вони повністю сухі. Недостатня просушка компонентів фільтра може ускладнити запуск.
- Витріть мастило, що налипнуло навколо повітряного фільтра, ганчіркою.
- Одразу після чищення встановіть кришку фільтра та затягніть її фіксуючими болтами (при цьому спочатку встановіть верхній виступ).



### Вказівки щодо поводження з компонентами повітряного фільтра

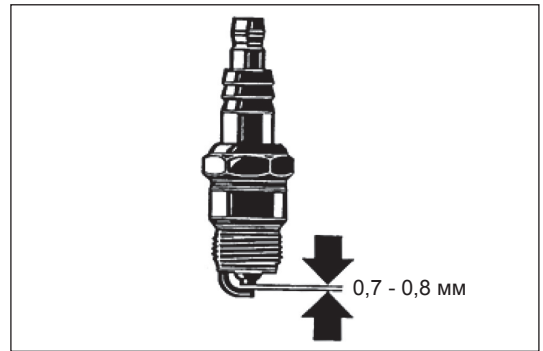
- Чистьте компоненти декілька разів на день, якщо на них налипає забагато пилу.
- Якщо продовжити роботу з компонентами фільтра, не очищеними від мастила, то мастило в повітряному фільтрі може потрапити назовні та спричинити забруднення.



## Перевірка свічки запалювання

Свічку запалювання слід перевіряти та чистити щодня або через кожні 8 годин роботи.

- Для видалення або встановлення свічки запалювання використовуйте тільки універсальний ключ, який входить до комплекту.
- Зазор між двома електродами свічки запалювання має становити 0,7 - 0,8 мм. Якщо зазор занадто великий чи занадто малий, налаштуйте його. Якщо свічка запалювання вкрита сажею або брудом, ретельно очистіть або замініть її. Використовуйте тільки аналогічні деталі.



## Додавання консистентного або змащувального мастила

- Додавайте консистентне мастило через ніпель кожні 50 годин роботи (Shell Alvania No. 3 або еквівалент).

**ПРИМІТКА:** Додавайте консистентне мастило у встановлений час та у відповідній кількості. Інакше нестача мастила може призвести до несправності пристрою.

## Чищення паливного фільтра (усмоктувальної головки в паливному баку)

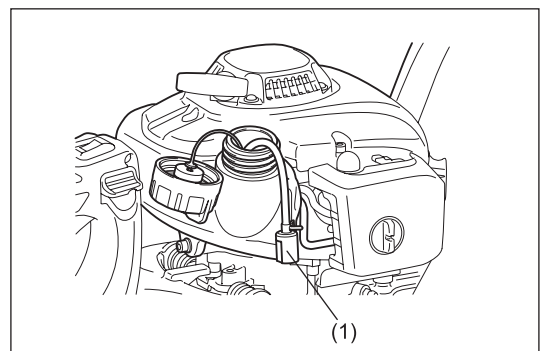
**УВАГА:** Займісті речовини суворо заборонені

Паливний фільтр слід перевіряти та чистити щомісяця або через кожні 50 годин роботи.

- Повстятий фільтр (1) усмоктувальної головки використовується для фільтрації палива, необхідного для карбюратора.
- Слід проводити регулярний візуальний огляд повстяного фільтра.
- Для цього необхідно відкрити кришку баку та за допомогою гачка з дроту витягнути усмоктувальну головку через отвір у баку. У разі ускладнення фільтрації, забруднення та засмічення повстяного фільтра його слід замінити.
- Повстятий фільтр слід замінювати щонайменше один раз на три місяці, щоб забезпечити задовільне постачання палива до карбюратора. Інакше недостатнє постачання палива призведе до відмови двигуна під час запуску та обмежить максимальну швидкість його роботи.



Ніпель для консистентного мастила



## Заміна паливної трубки

**ЗАСТЕРЕЖЕННЯ:** Займісті речовини суворо заборонені

Паливну трубку слід перевіряти та чистити щодня або через кожні 10 годин роботи.

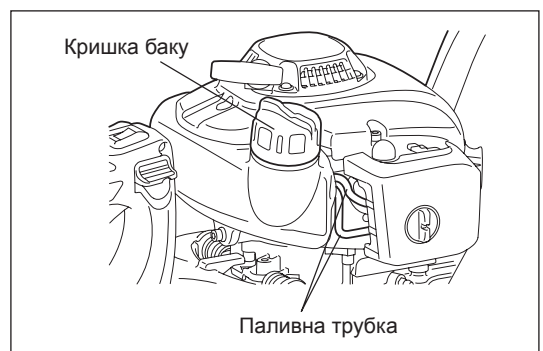
Замініть паливну трубку через кожні 200 годин роботи або щороку незалежно від частоти використання пристрою. Інакше витік палива може призвести до пожежі.

Якщо під час перевірки Ви помітили витік палива, негайно замініть паливну трубку.

## Заміна кришки баку

- Якщо кришка пошкоджена або пропускає паливо, замініть її.
- Кришка баку з часом зношується. Її слід замінювати кожні два-три роки.

З метою проведення технічного обслуговування або налаштування пристрою, які не описані в цій інструкції, слід звертатися до авторизованого центру обслуговування компанії DOLMAR.

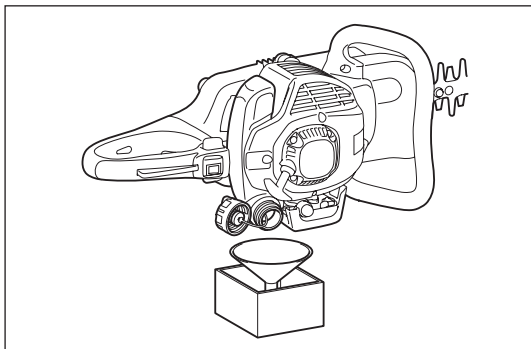


## Щоденний технічний огляд та технічне обслуговування пристрою

Для забезпечення довгого терміну служби та для запобігання пошкодженню обладнання слід регулярно проводити наступне обслуговування.

- Перед використанням;
  - Перевіряйте, чи всі гвинти пристрою затягнуті належним чином, а також чи присутні всі деталі. Звертайте особливу увагу на міцність закріплення гвинтів ріжучого полотна.
  - Перевіряйте, чи не закупорені ребра циліндра та повітрязабірник охолоджуючого повітря. За необхідності чистьте їх.
  - Перевіряйте паливний бак на витік палива і на наявність в паливному баку сторонніх предметів та чистьте його.
- Після використання;
  - Чистьте пилу для підрізування живоплоту ззовні та перевіряйте пристрій на предмет пошкоджень.
  - Чистьте повітряний фільтр. Якщо Ви працюєте в надзвичайно пильному середовищі, чистьте фільтр декілька разів на день.
  - Перевіряйте ріжуче полотно на предмет пошкоджень та на надійність кріплення.

## ЗБЕРІГАННЯ



- У разі тривалого зберігання пристрою слід зливати все паливо з паливного баку та карбюратора таким чином: Злийте все паливо з паливного баку.
- Зніміть свічку запалювання і додайте кілька крапель мастила в отвір свічки запалювання. Потім обережно потягніть за ручку стартера, щоб мастило розтеклося по двигуну, після чого встановіть свічку запалювання.
- Видаліть пил та бруд з ріжучого полотна та зовнішньої частини двигуна, витріть їх поверхню змоченою у мастилі тканиною, після чого покладіть пристрій на зберігання у сухому приміщенні.

## ГРАФІК ТЕХНІЧНОГО ОБСЛУГОВУВАННЯ

Після кожного заправлення	Важіль керування двигуном Пусковий перемикач	Перевіряйте функціонування Перевіряйте функціонування
Перед кожним використанням	Двигун у зборі, гвинти та гайки  Повітряний фільтр Канал охолоджуючого повітря Ріжуча частина  Швидкість холостого ходу Паливний бак	Візуально перевіряйте прилад на герметичність та наявність пошкоджень Перевіряйте загальний стан та безпечність Прочищайте Прочищайте Перевіряйте на наявність пошкоджень та на якість заточування Перевіряйте ріжучу частину (вона не повинна рухатись) Перевіряйте та чистьте
Кожні 50 годин	Редуктор	Додавайте консистентне мастило
Щотижня	Свічка запалювання	Перевіряйте, за необхідності замінійте
Щорічно	Паливна трубка	Замінійте
Один раз на два роки	Кришка баку	Замінійте
Перед довготривалим зберіганням	Паливний бак Карбюратор Усмоктувальна головка	Спорожнюйте та чистьте Тримайте пристрій увімкненим, доки не закінчиться паливо Замінійте

## ПОШУК НЕСПРАВНОСТЕЙ

Несправність	Система	Спостереження	Причина
Двигун не запускається або запускається з труднощами	Система запалювання	Є іскра запалювання	Несправність системи постачання палива або компресії, механічний дефект
		Немає іскри запалювання	Було натиснуто на пусковий перемикач, несправність проводки або коротке замикання, несправність свічки запалювання або контакту, несправність блока запалювання
	Постачання палива	Паливний бак заповнено	Невірне положення дроселя, несправність карбюратора, усмоктувальну головку (фільтр газопроводу) забруднено, заблоковано або скривлено лінію постачання палива
	Компресія	Усередині двигуна	Несправність нижнього сальника циліндра, пошкоджено ущільнення колінчатого валу, несправність прокладок циліндра або поршневих кілець
Зовні двигуна		Неналежне ущільнення свічки запалювання	
Проблеми теплового запуску	Механічна несправність	Стартер не вмикається	Зламана пружина стартера, зламані деталі всередині двигуна
		Бак заповнений; є іскра запалювання	Карбюратор засмічено, прочистіть його
Двигун запускається, але одразу ж зупиняється	Постачання палива	Бак заповнений	Невірне налаштування холостого ходу, засмічено усмоктувальну головку або карбюратор
			Несправність повітряного клапана паливного баку, перервано лінію постачання палива, несправність кабелю або пускового перемикача
Недостатня продуктивність	Одночасне ураження декількох систем	Двигун працює на холостому ході	Засмічено повітряний фільтр, карбюратор, глушитель або витяжний канал в циліндрі



**Makita Europe N.V.** Jan-Baptist Vinkstraat 2,  
3070 Kortenberg, Belgium

**Makita Corporation** 3-11-8, Sumiyoshi-cho,  
Anjo, Aichi 446-8502 Japan