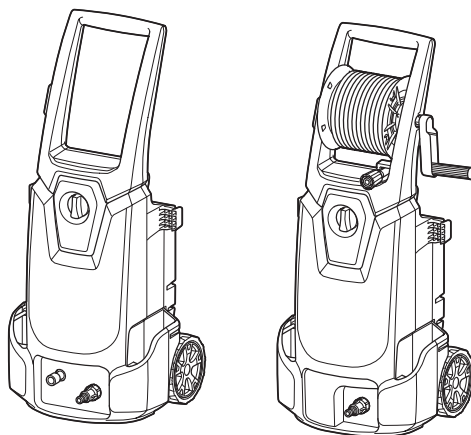


DOLMAR



EN	High Pressure Washer	INSTRUCTION MANUAL	8
PL	Myjka wysokociśnieniowa	INSTRUKCJA OBSŁUGI	17
HU	Nagynyomású mosó	HASZNÁLATI KÉZIKÖNYV	27
SK	Vysokotlakový čistič	NÁVOD NA OBSLUHU	37
CS	Vysokotlaká myčka	NÁVOD K OBSLUZE	46
UK	Мийка високого тиску	ІНСТРУКЦІЯ З ЕКСПЛУАТАЦІЇ	55
RO	Dispozitiv de spălare cu presiune ridicată	MANUAL DE INSTRUCȚIUNI	65
DE	Hochdruckreiniger	BETRIEBSANLEITUNG	75

HP351 HP401



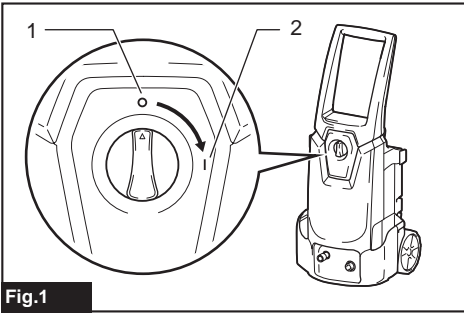


Fig.1

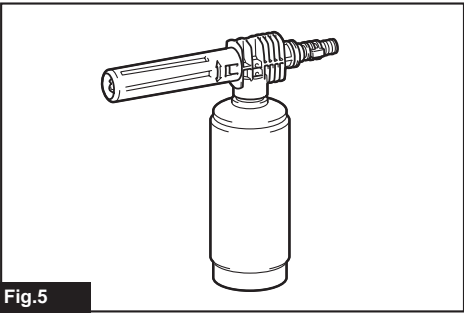


Fig.5

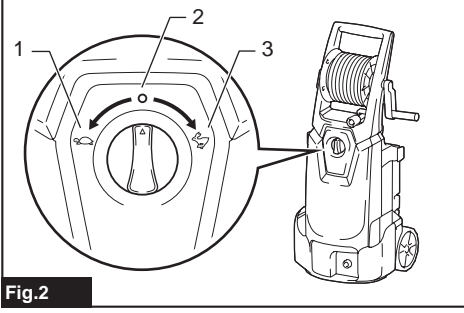


Fig.2

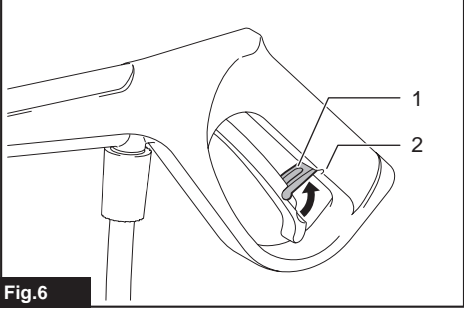


Fig.6

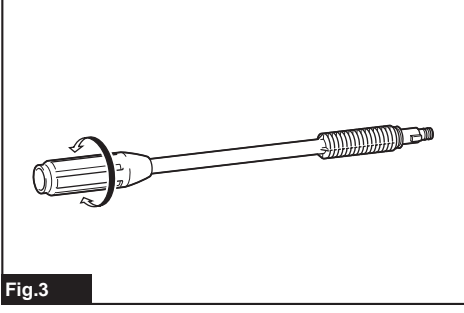


Fig.3

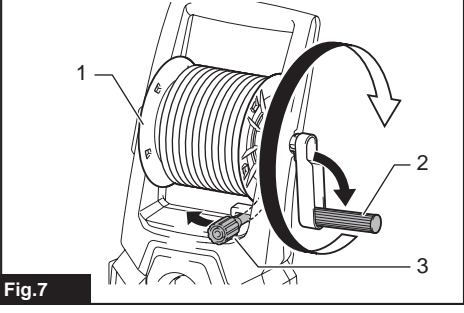


Fig.7

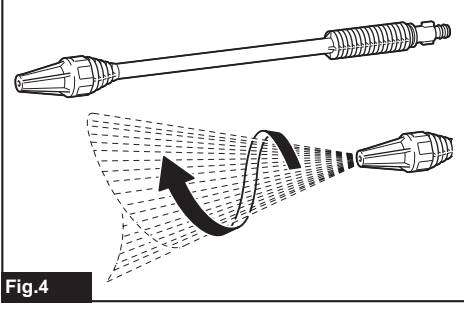


Fig.4

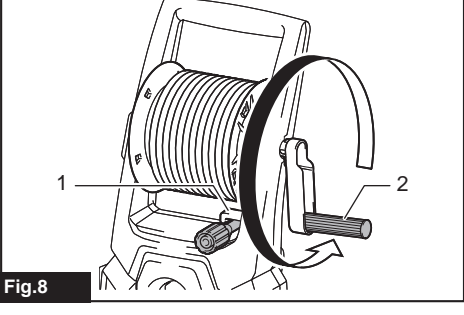


Fig.8

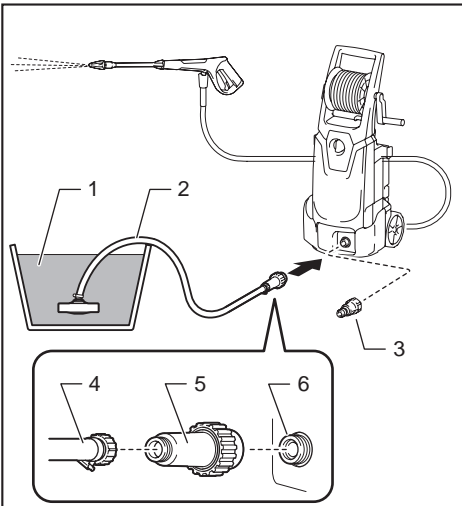


Fig.9

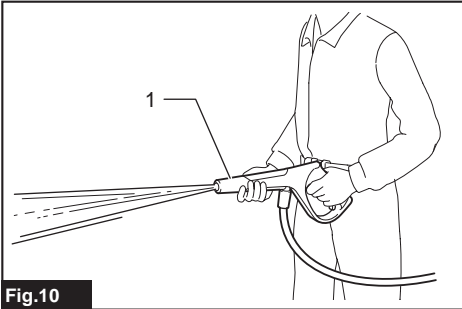


Fig.10

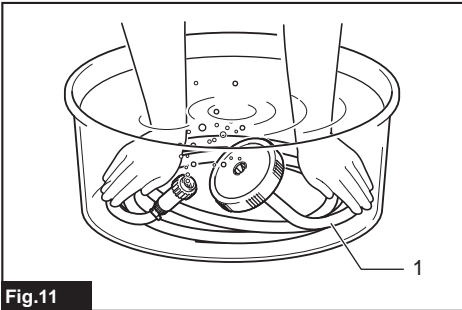


Fig.11

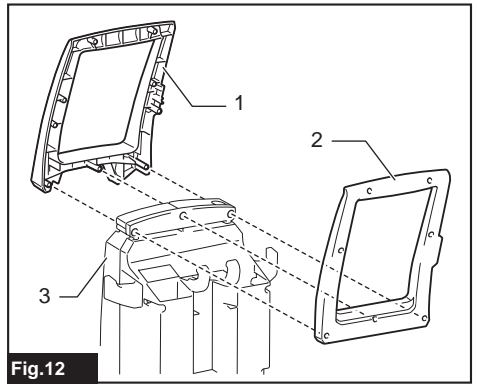


Fig.12

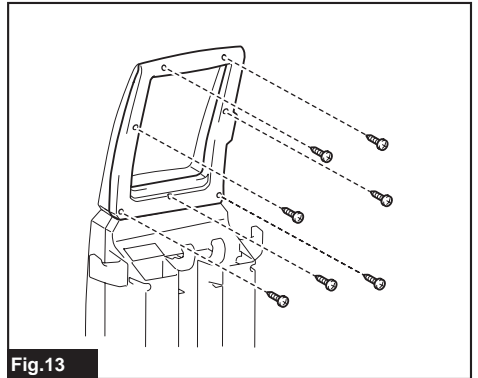


Fig.13

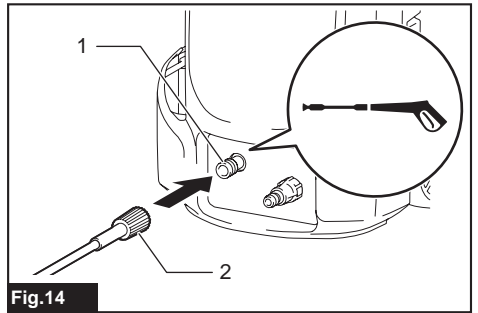


Fig.14

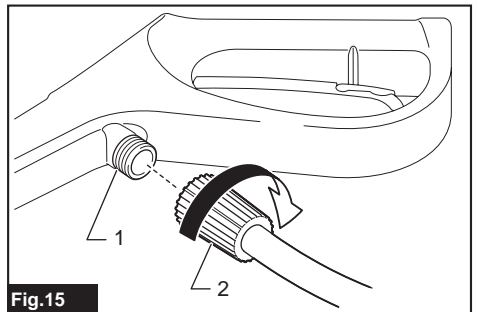
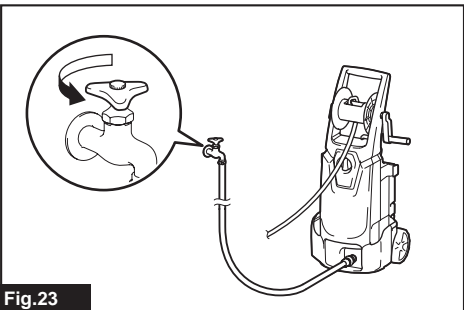
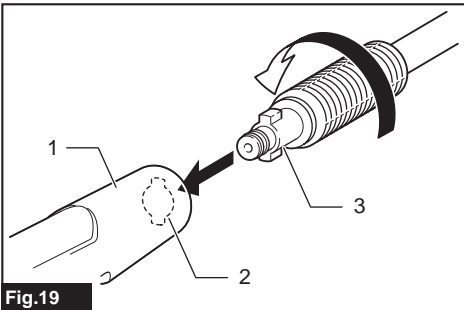
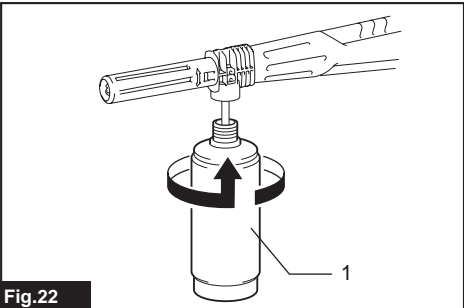
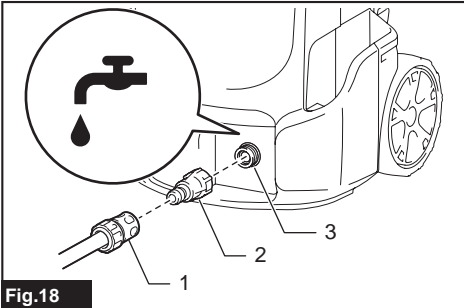
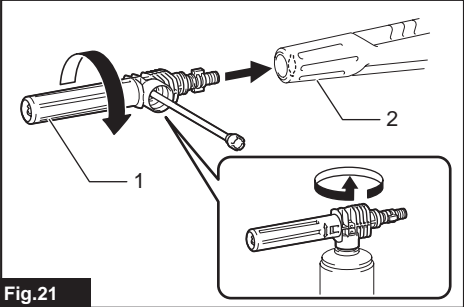
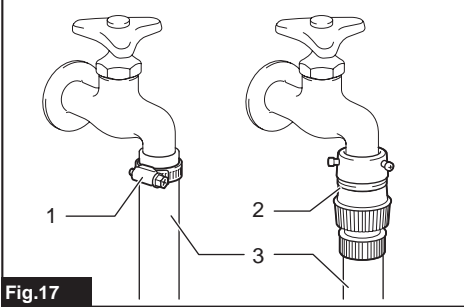
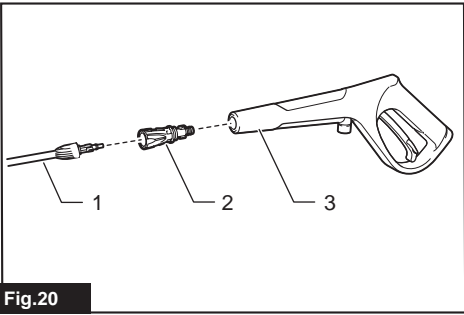
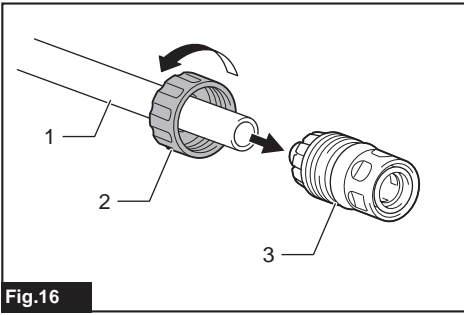


Fig.15



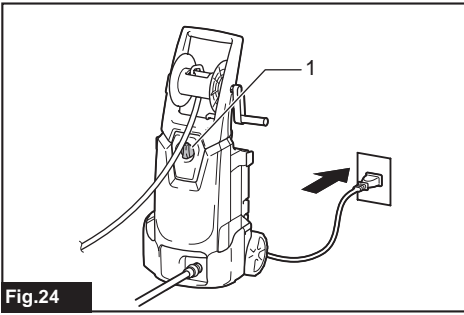


Fig.24

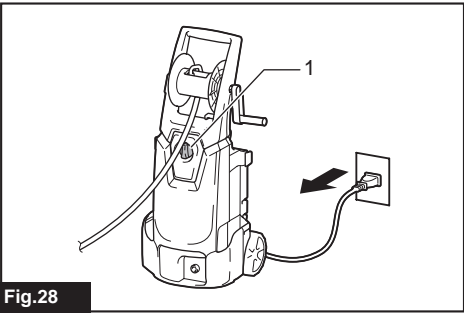


Fig.28

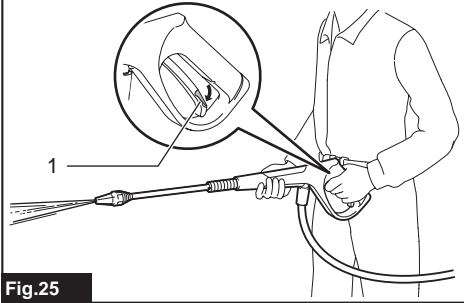


Fig.25

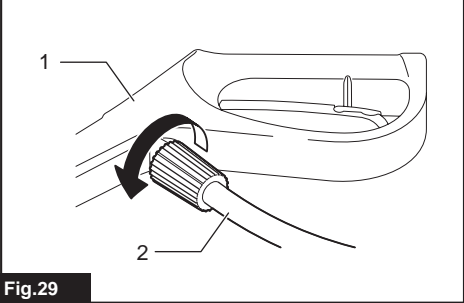


Fig.29

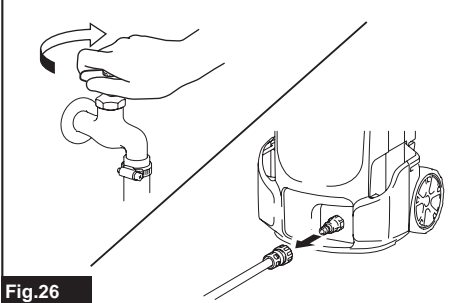


Fig.26

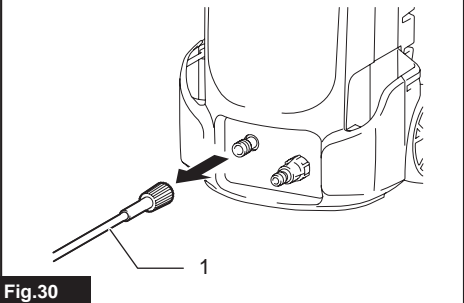


Fig.30

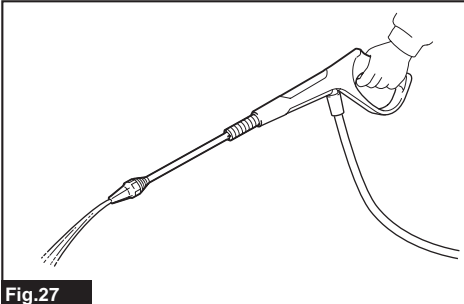


Fig.27

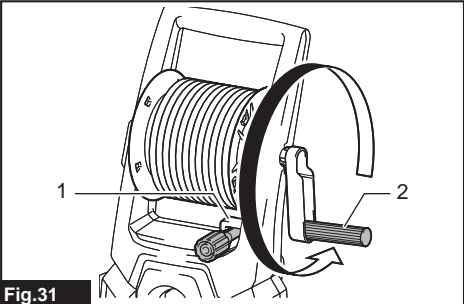


Fig.31

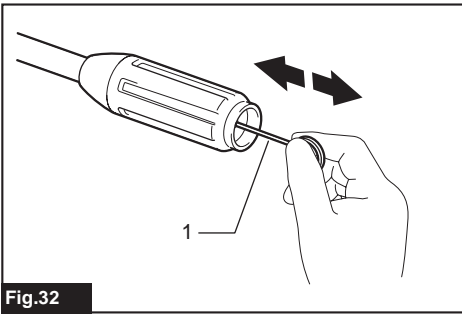


Fig.32

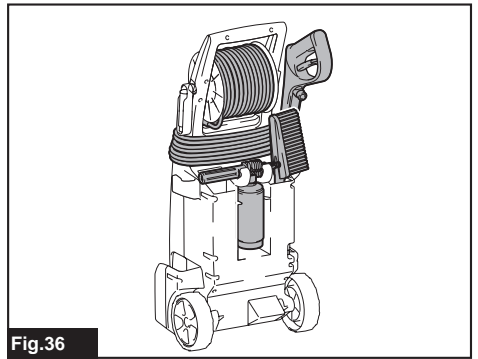


Fig.36

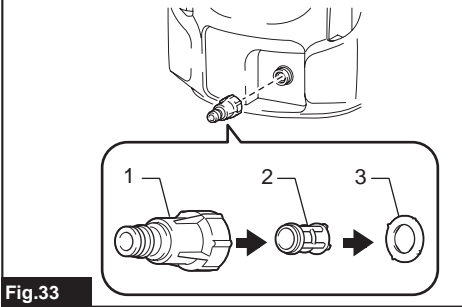


Fig.33

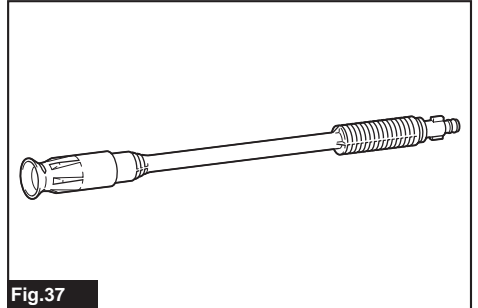


Fig.37

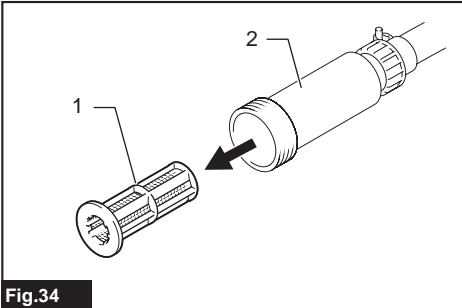


Fig.34

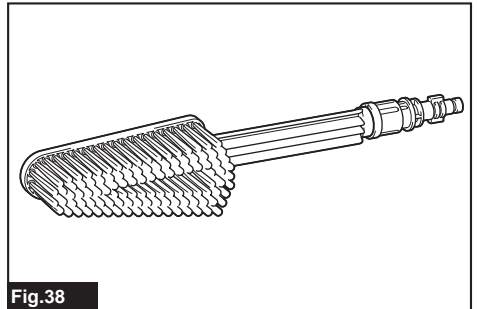


Fig.38

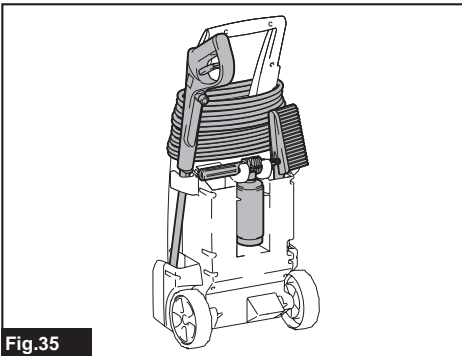


Fig.35

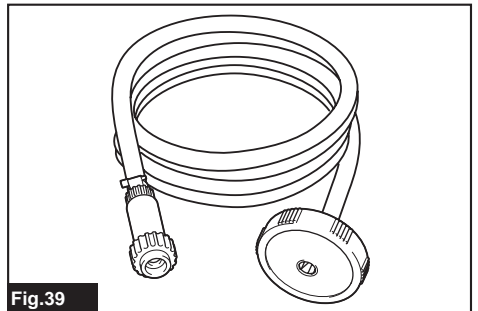


Fig.39

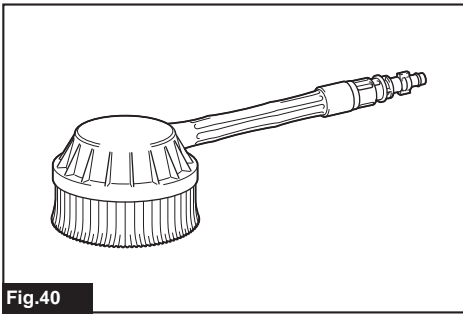


Fig.40

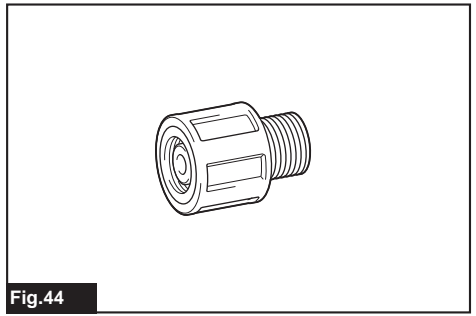


Fig.44

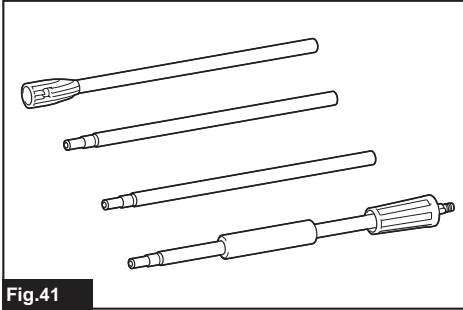


Fig.41

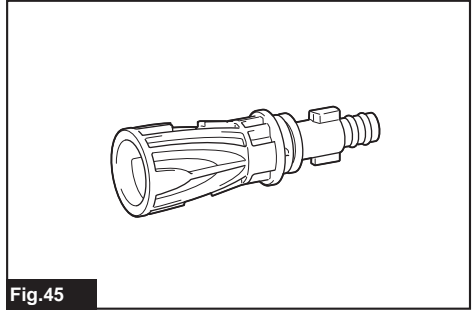


Fig.45

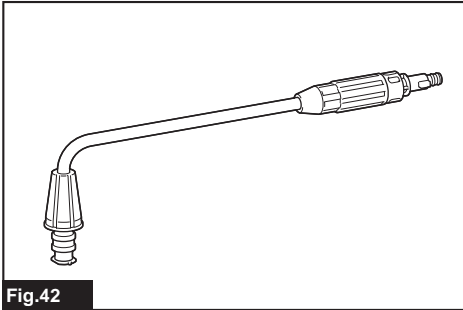


Fig.42

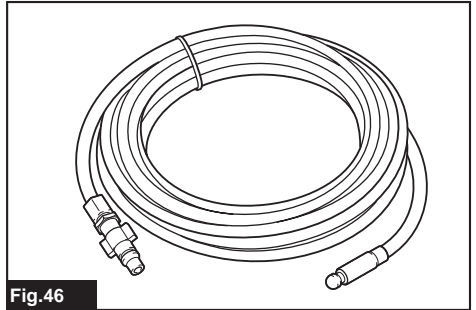


Fig.46

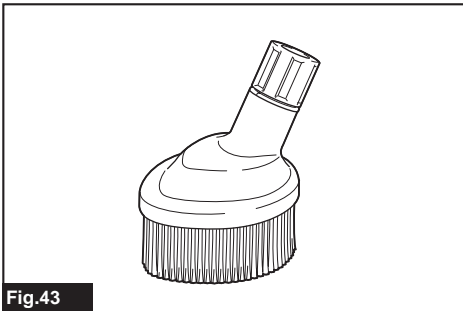


Fig.43

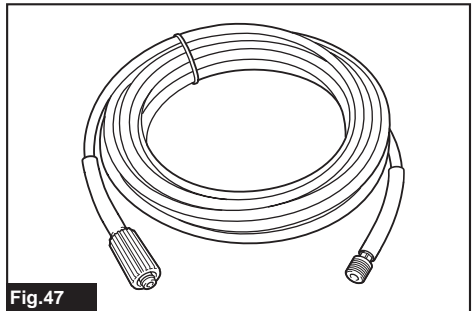


Fig.47

WARNING

- Machines shall not be used by children. Children should be supervised to ensure that they do not play with the machine.
- This machine is not intended for use by persons (including children) with reduced physical, sensory, or mental capabilities, or lack of experience and knowledge.
- This machine has been designed for use with the cleaning agent supplied or recommended by the manufacturer. The use of other cleaning agents or chemicals may adversely affect the safety of the machine.
- High pressure jets can be dangerous if subject to misuse. The jet must not be directed at persons, live electrical equipment or the machine itself.
- Do not use the machine within range of persons unless they wear protective clothing.
- Do not direct the jet against yourself or others in order to clean clothes or foot-wear.
- Risk of explosion – Do not spray flammable liquids.
- High pressure cleaners shall not be used by children or untrained personnel.
- High pressure hoses, fittings and couplings are important for the safety of the machine. Use only hoses, fittings and couplings recommended by the manufacturer.
- To ensure machine safety, use only original spare parts from the manufacturer or approved by the manufacturer.
- Always be sure that the tool is switched off and unplugged before carrying out any work on the tool.
- Do not use the machine if a supply cord or important parts of the machine are damaged, e.g. safety devices, high pressure hoses, trigger gun.
- Inadequate extension cords can be dangerous. If an extension cord is used, it shall be suitable for outdoor use, and the connection has to be kept dry and off the ground. It is recommended that this is accomplished by means of a cord reel which keeps the socket at least 60 mm above the ground.
- Always switch off the mains disconnecting switch when leaving the machine unattended.

- Comply with the requirements of the local water supply company.
- For European countries:
According to EN12729 (BA), the appliance can also be connected to the mains drinking water supply if a backflow preventer valve with drain facility is installed in the supply hose.

SPECIFICATIONS

Model:		HP351	HP401
Max. feed volume		7.0 l/min	7.5 l/min
Water flow rate		5.5 l/min	6.0 l/min
Max. permissible pressure		12 MPa (120 bars)	13 MPa (130 bars)
Working pressure	High mode	10 MPa (100 bars)	11 MPa (110 bars)
	Low mode	-	8 MPa (80 bars)
Max. feed pressure		1 MPa (10 bars)	
Max. feed temperature		40 °C	
Max. suction height		1.0 m	
Dimensions (L x W x H)		292 mm x 358 mm x 830 mm	
Weight		11.0 kg	12.7 kg
Motor protection		IPX5	

- Due to our continuing program of research and development, the specifications herein are subject to change without notice.
- Specifications may differ from country to country.
- Weight according to EPTA-Procedure 01/2003

Symbols

The following show the symbols used for the equipment. Be sure that you understand their meaning before use.



Read the instruction manual.



Take particular care and attention.



DOUBLE INSULATION



Only for EU countries
Do not dispose of electric equipment together with household waste material! In observance of the European Directive, on Waste Electric and Electronic Equipment and its implementation in accordance with national law, electric equipment that have reached the end of their life must be collected separately and returned to an environmentally compatible recycling facility.



Do not direct the jet at people including yourself, animals, and live electrical equipments.



Not suitable for connection to the potable water mains.

Intended use

This tool is intended for cleaning stubborn dirt by using water jet. This tool is intended for household use.

Power supply

The tool should be connected only to a power supply of the same voltage as indicated on the nameplate, and can only be operated on single-phase AC supply. They are double-insulated and can, therefore, also be used from sockets without earth wire.

For public low-voltage distribution systems of between 220 V and 250 V

Switching operations of electric apparatus cause voltage fluctuations. The operation of this device under unfavorable mains conditions can have adverse effects to the operation of other equipment. With a mains impedance equal or less than 0.25 Ohms it can be presumed that there will be no negative effects. The mains socket used for this device must be protected with a fuse or protective circuit breaker having slow tripping characteristics.

Noise

The typical A-weighted noise level determined according to EN60335-2-79:

Model HP351

Sound pressure level (L_{pA}) : 72 dB(A)
Uncertainty (K) : 3.8 dB(A)

Model HP401

Sound pressure level (L_{pA}) : 76 dB(A)
Uncertainty (K) : 2.4 dB(A)

The noise level under working may exceed 80 dB (A).

⚠ WARNING: Wear ear protection.

Vibration

The vibration total value (tri-axial vector sum) determined according to EN60335-2-79:

Model HP351

Vibration emission (a_n) : 4.11 m/s²
Uncertainty (K) : 1.5 m/s²

Model HP401

Vibration emission (a_n) : 4.86 m/s²
Uncertainty (K) : 1.5 m/s²

NOTE: The declared vibration emission value has been measured in accordance with the standard test method and may be used for comparing one tool with another.

NOTE: The declared vibration emission value may also be used in a preliminary assessment of exposure.

⚠ WARNING: The vibration emission during actual use of the power tool can differ from the declared emission value depending on the ways in which the tool is used.

⚠ WARNING: Be sure to identify safety measures to protect the operator that are based on an estimation of exposure in the actual conditions of use (taking account of all parts of the operating cycle such as the times when the tool is switched off and when it is running idle in addition to the trigger time).

EC Declaration of Conformity

For European countries only

The EC declaration of conformity is included as Annex A to this instruction manual.

SAFETY WARNINGS

⚠ WARNING: Read all safety warnings and all instructions. Failure to follow the warnings and instructions may result in electric shock, fire and/or serious injury.

Save all warnings and instructions for future reference.

Work area safety

1. Keep operating area clear of all persons.
2. Do not overreach or stand on unstable supports. Keep good footing and balance at all times.
3. Always place the high pressure washer body on a level and stable surface. Avoid areas where the ejected water will run or pool.
4. Before cleaning, check the surroundings and objects to be cleaned. High pressure jets can scrape away paint or other surface treatments including toxic chemicals. Take the preventive measures if necessary.
5. Be careful not to trip over by the cord or hose of the high pressure washer. Always be aware of the configuration of the cord and hose during operation.
6. During use, a small amount of water will come out from the bottom of the high pressure washer. Avoid locating the high pressure washer in the areas where you don't want to wet.

Personal safety

1. To protect against the jet and objects by the jet, operators should wear appropriate clothing such as safety boots, safety gloves, safety helmets with visors, hearing protection, etc.
2. Do not use the high pressure washer within range of persons unless they wear protective clothing.
3. To reduce the risk of injury, close supervision is necessary when the product is used near children.
4. Water that has flowed through backflow preventer is considered to be non-potable.

Electrical safety

1. Never use the high pressure washer outdoors in the rain.
2. Never touch the mains plug and/or socket with wet hands.
3. Do not use the machine if the supply cord or important parts of the machine are damaged, e.g. safety devices, high pressure hoses, or the trigger gun.
4. Plug must match the outlet. Never modify the plug in any way. Do not use any adapter plug with grounded tools. Unmodified plug and matching outlet will reduce risk of the electric shock.
5. Inadequate extension cords can be dangerous. If an extension cord is used, it shall be suitable for outdoor use, and the connection has to be kept dry and off the ground. It is recommended that this is accomplished by means of a cord reel which keeps the socket at least 60 mm above the ground.
6. Note the following when using extension cords:
 - Use only extension cords that are intended for outdoor use.

- Use only extension cords with an electrical rating equal to or higher than the rating of the product.
 - Do not use damaged extension cords.
 - Examine extension cords before use and replace if damaged.
 - Do not abuse extension cords and do not yank on cords to disconnect them.
 - Keep cords away from heat and sharp edges.
 - Always disconnect the extension cord from the receptacle before disconnecting the product from the extension cord.
7. The electric supply connection shall be made by a qualified electrician and comply with IEC 60364-1. It is recommended that the electric supply to this machine should include either a residual current device that will interrupt the supply if the leakage current to earth exceeds 30 mA for 30 ms or a device that will prove the earth circuit.

Power tool use and care

1. Read all the instructions before using the product.
2. Know how to stop the high pressure washer and bleed pressures quickly. Be thoroughly familiar with the controls.
3. High pressure jets can be dangerous if misused. The jet must not be directed at people, live electrical equipment, or the machine itself.
4. This machine is not intended for use by persons (including children) with reduced physical, sensory, or mental capabilities, or lack of experience and knowledge.
5. Children should be supervised to ensure that they do not play with the appliance.
6. Do not spray flammable and/or toxic liquids. This may cause an explosion, intoxication, or damage to the machine.
7. Do not direct the jet against yourself or others in order to clean clothes or foot-wear.
8. High-pressure hoses, fittings and couplings are important for the safety of the machine. Use only hoses, fittings and couplings recommended by the manufacturer.
9. Follow the instructions when changing accessories.
10. Keep handles dry, clean, and free of oil or grease.
11. Stay alert – watch what you are doing.
12. Do not operate the product when fatigued or under the influence of alcohol or drugs.
13. Do not run the high pressure washer without water for longer than one minute. It will damage the motor, resulting in malfunction.
14. Always turn off the power and shut off the water mains when leaving the high pressure washer unattended.
15. Be wary of the kickback. The trigger gun recoils when the high pressure jet is ejected from the nozzle. Hold the trigger gun firmly to prevent accidental injuries.

16. Check for damaged or worn parts before use. Also make sure that the hose is properly connected and there is no leakage during operation. Operating the machine with functional defects may cause an accident.
17. This machine has been designed for use with the cleaning agent supplied or recommended by the manufacturer. The use of other cleaning agents or chemicals may adversely affect the safety of the machine.
18. Do not pull the cord and/or hose to move the high pressure washer body. This will damage the cord, hose, and connecting parts and result in a short circuit or functional defects.
19. Do not put heavy objects on the hose or let vehicles drive over it.
20. Always discharge the residual pressure in the trigger gun before disconnecting the hose.
21. When connecting the hose to the water mains, observe the instructions of your local water-works department or company.

Service

1. Follow the maintenance instructions specified in the manual.
2. To ensure machine safety, use only original spare parts from the manufacturer or approved by the manufacturer.
3. Have your high pressure washer serviced by a qualified repair person using only identical replacement parts. This will ensure that the safety of the high pressure washer is maintained.
4. In case of breakdown or malfunction of the high pressure washer, immediately switch it off and remove the mains plug. Contact your local dealer or service center.

SAVE THESE INSTRUCTIONS.

⚠ WARNING: DO NOT let comfort or familiarity with product (gained from repeated use) replace strict adherence to safety rules for the subject product.

MISUSE or failure to follow the safety rules stated in this instruction manual may cause serious personal injury.

FUNCTIONAL DESCRIPTION

CAUTION: Always be sure that the tool is switched off and unplugged before adjusting or checking function on the tool.

Power switch

NOTICE: Do not turn the power switch forcibly. This may cause the switch to malfunction.

For the HP351

► Fig.1: 1. OFF position 2. ON position

Turn the power switch clockwise to switch on the high pressure washer.

For the HP401

Turn the power switch clockwise or counterclockwise depending on the pressure level. Turn the power switch clockwise for high pressure mode, counterclockwise for low pressure mode.

► Fig.2: 1. Low pressure mode 2. OFF position 3. High pressure mode

Nozzle functions

Vario-Power spray lance

► Fig.3

Jet pressure can be adjusted by rotating the nozzle.

CAUTION: When adjusting the jet pressure, do not rotate the nozzle while pulling it toward the trigger gun. The nozzle may come off from the trigger gun and cause a personal injury.

Dirt blaster

► Fig.4

A spiral jet is ejected. Suitable for removing stubborn dirt.

NOTICE: Do not use the dirt blaster to clean fragile surfaces such as windows or car bodies.

Foam nozzle

► Fig.5

Detergent can be sprayed as foam.

Trigger operations

Pull the trigger to eject a water jet. The jet continues as long as the trigger is squeezed. The trigger can be locked for safe handling of the trigger gun. To lock the trigger, pull out the stopper and hook it to the groove on the grip.

► Fig.6: 1. Stopper 2. Groove

NOTICE: To avoid mechanical error in the pressure switch, always leave a two-second interval between trigger operations.

Safety valve

This appliance is equipped with a safety valve that prevents undue overpressure. When the trigger is released, the valve opens and the water recirculates through the pump inlet.

CAUTION: Do not tamper with or adjust the safety valve setting.

Hose reel

For the HP401 only

To unreel the hose, take the end of the hose out of the catch first. Unfold the handle and turn it clockwise. Always unreel the hose all the way to the end when operating the high pressure washer.

► Fig.7: 1. Hose reel 2. Handle 3. End of the hose

When storing the hose, turn the handle counterclockwise and fix the end of the hose.

► Fig.8: 1. Catch 2. Handle

Supplying water from a tank/reservoir

Optional accessory

You can supply water from a tank or reservoir instead of a faucet.

Replace the water hose connector with the suction hose set (optional accessory). When connecting the suction hose set, disconnect the filter case from the hose and attach it to the inlet on the high pressure washer. Then, connect the hose to the filter case.

► Fig.9: 1. Tank/reservoir 2. Suction hose set 3. Water hose connector 4. Hose 5. Filter case 6. Inlet on the high pressure washer

NOTICE: Always use Makita's suction hose set.

NOTICE: Always keep 1.0 m (3.28 ft) or less in height between the inlet on the high pressure washer and the water surface. Otherwise, the high pressure washer will be unable to take the water up into the pump.

To introduce water into the hose, remove the nozzle from the trigger gun and switch on the high pressure washer while the trigger is squeezed. Once water is ejected stably from the trigger gun, release the trigger and attach the nozzle for your purpose.

► Fig.10: 1. Trigger gun

NOTE: When water is not ejected, detach the suction hose set and soak it in water. Then reconnect it to the high-pressure washer.

► Fig.11: 1. Suction hose set

ASSEMBLY

⚠ CAUTION: Always be sure that the tool is switched off and unplugged before carrying out any work on the tool.

Assembling the carrying handle

For the HP351 only

1. Join the front and rear halves of the handle by aligning the screw holes on the high pressure washer body.
▶ **Fig.12:** 1. Front half of the handle 2. Rear half of the handle 3. High pressure washer body
2. Secure the carrying handle with screws(7 pcs).
▶ **Fig.13**

Connecting the high-pressure hose

For the HP351 only

Connect the high-pressure hose to the outlet (with the gun marking). Turn the nut on the high-pressure hose clockwise while screwing it onto the screw thread of the outlet.

- ▶ **Fig.14:** 1. Outlet 2. Nut

⚠ CAUTION: Make sure that the high-pressure hose is securely connected. A loose connection may blow the high-pressure hose off, resulting in a personal injury.

Attaching the trigger gun

Connect the high-pressure hose to the inlet on the trigger gun. Turn the nut on the high-pressure hose clockwise while screwing it onto the screw thread on the inlet.

- ▶ **Fig.15:** 1. Inlet 2. Nut

⚠ CAUTION: Make sure that the high-pressure hose is securely connected. A loose connection may blow the high-pressure hose off, resulting in a personal injury.

Connecting to a faucet

⚠ CAUTION: Always use a pressure-resistant water hose with $\varnothing 13$ mm or larger diameter and connect to the faucet using a proper fittings. Otherwise, the water hose and/or the fitting may break and cause personal injury.

NOTICE: Use a pressure-resistant water hose as short as possible. The amount of intake water should be higher than the max feed volume of the pump.

NOTICE: If you connect to the mains for drinking water, use a backflow preventer valve which meets the regulations in your region.

Prepare a pressure-resistant water hose. Attach the coupling sleeve to one end and connect the other end to the faucet as follows.

1. Remove the nut on the coupling sleeve and pass the pressure-resistant water hose through the nut. Insert the end of the hose into the coupling sleeve and then tighten the nut.

- ▶ **Fig.16:** 1. Pressure-resistant water hose 2. Nut of the coupling sleeve 3. Coupling sleeve

NOTE: If you connect the pressure-resistant water hose to the faucet using a coupling sleeve, attach it to the both ends of the hose.

2. Connect the pressure-resistant water hose to the faucet. Apply a suitable fitting such as hose band or water tap joint to secure the hose end with the faucet.

- ▶ **Fig.17:** 1. Hose band 2. Water tap joint 3. Pressure-resistant water hose

NOTE: The fitting depends on the shape of the faucet to which you connect. Prepare a suitable commercially-bought fitting.

3. Attach the water hose connector to the inlet (with the faucet marking) and then insert the coupling sleeve.

- ▶ **Fig.18:** 1. Coupling sleeve 2. Water hose connector 3. Inlet

Connecting/disconnecting the nozzle

⚠ CAUTION: Always lock the trigger when connecting/disconnecting the nozzle.

Insert the end of the nozzle into the slot on the trigger gun and turn it in the direction of the arrow as shown in the figure. To disconnect, turn the nozzle in the reverse direction while pressing it toward the trigger gun.

- ▶ **Fig.19:** 1. Trigger gun 2. Slot 3. End of the nozzle

Some optional nozzles require the connecting joint (optional accessory) to attach to the trigger gun. Attach the connecting joint to the trigger gun in the same way as the nozzle.

- ▶ **Fig.20:** 1. Nozzle 2. Connecting joint 3. Trigger gun

NOTE: The connecting joint is needed when using the nozzles included with another model, HP-350 or HP-400.

Connecting the foam nozzle

⚠ CAUTION: Always lock the trigger when connecting/disconnecting the nozzle.

Prepare a detergent before using the foam nozzle.

1. Remove the nozzle from the tank by rotating the nozzle counterclockwise. Attach the nozzle to the trigger gun.

- ▶ **Fig.21:** 1. Nozzle 2. Trigger gun

2. Pour the detergent into the tank and install it to the nozzle.

- ▶ **Fig.22:** 1. Tank

NOTICE: Always use neutral detergent. Acidic or alkaline detergent may damage the tank or nozzle.

OPERATION

⚠ WARNING: Do not touch the water jet or direct the it toward yourself or others. The water jet is dangerous and can hurt you or others.

⚠ WARNING: When shooting the water jet, never hold the object that you are cleaning or place your hands and feet near the water jet.

⚠ CAUTION: Stay alert to the rebound of the water jet and blown objects. Do not bring the nozzle closer than 30 cm .

⚠ CAUTION: Do not run the high pressure washer without water for longer than 1 minute.

⚠ CAUTION: Do not operate the high pressure washer for a extended period of time. This may cause overheating or fire. Also, long-term use may cause vibration disorder.

⚠ CAUTION: Be aware of the direction of the wind. If the detergent gets into your eyes or mouth, rinse with fresh water immediately and seek medical attention if necessary.

NOTICE: Avoid using the high pressure washer for longer than 1 hour. After using 1 hour, leave a same length of intermission.

1. Connect the end of the high-pressure hose to the trigger gun. For the HP351, connect the other end to the high pressure washer. For the HP401, unreel the hose all the way to the end.
2. Connect the high pressure washer to the faucet and then open the faucet.
▶ Fig.23

NOTICE: To protect the mechanism of the high pressure washer, do not use water hotter than 40°C.

3. Plug the high pressure washer into the mains and switch it on.
▶ Fig.24: 1. Power switch
4. To eject a water jet, unlock the stopper and squeeze the trigger. The jet continues as long as the trigger is squeezed.
▶ Fig.25: 1. Stopper

⚠ CAUTION: Hold the trigger gun firmly. The trigger gun recoils when you pull the trigger.

⚠ CAUTION: Always hold the trigger gun by the grip and barrel when cleaning. While the motor is running, do not touch any part of the high pressure washer body other than the carrying handle and power switch.

NOTICE: Be careful not to pull the trigger gun forcibly during operation. It may cause the high pressure washer to fall over.

After operating

⚠ CAUTION: After operating, always perform the procedure described in this manual. Residual pressure in the trigger gun or high pressure washer can cause personal injury or damage to the pump inside.

1. After operating, leave the power switch on.
2. Close the faucet and disconnect the water hose from the high pressure washer.
▶ Fig.26
3. Squeeze the trigger until the remaining water in the high pressure washer is discharged.
Do not run the motor for longer than 1 minute.
▶ Fig.27
4. Switch off the high pressure washer and unplug it from the mains.
▶ Fig.28: 1. Power switch
5. Disconnect the high-pressure hose from the trigger gun.
▶ Fig.29: 1. Trigger gun 2. High-pressure hose

For the HP351, also disconnect the high pressure hose from the high pressure washer.

▶ Fig.30: 1. High pressure hose

For the HP401, reel the hose and fix the end of the hose.

▶ Fig.31: 1. Catch 2. Handle

NOTICE: To prevent the high-pressure hose from being damaged, remove the remaining water in the hose before storing.

MAINTENANCE & STORAGE

⚠ CAUTION: Always be sure that the tool is switched off and unplugged before attempting to perform inspection or maintenance.

NOTICE: Never use gasoline, benzine, thinner, alcohol or the like. Discoloration, deformation or cracks may result.

Cleaning the nozzle

Use the cleaner pin to remove dirt from or unclog the nozzle.

▶ Fig.32: 1. Cleaner pin

NOTICE: Do not remove dirt or debris forcibly. This may result in personal injury or damage to the ejection hole causing deviated jet angles or poor performance.

Cleaning the filter

Detach the water hose connector and remove dirt and debris from the inside of the filter.

► **Fig.33:** 1. Water hose connector 2. Filter 3. Sealing ring

When using the suction hose set (optional accessory), take the filter out of the filter case and remove dirt and debris.

► **Fig.34:** 1. Filter 2. Filter case

NOTE: To maintain the optimal performance, clean the filter periodically.

Storage

Reel the hose and cord. Put the trigger gun and nozzles in the pockets.

HP351

► **Fig.35**

HP401

► **Fig.36**

CAUTION: Always store in an indoor location where the temperature does not go below freezing. If the high pressure washer freezes and malfunctions, contact your local service center for repairs.

CAUTION: Always use the carrying handle when moving the high pressure washer. Do not carry it by the hose or cord. The hose or cord may be damaged.

CAUTION: Do not carry the high pressure washer with the hose and/or cord unreeled. The extended hose or cord may be damaged or entangled with other objects, resulting in personal injury or breakage.

To maintain product SAFETY and RELIABILITY, repairs, any other maintenance or adjustment should be performed by Makita Authorized or Factory Service Centers, always using Makita replacement parts.

TROUBLESHOOTING

Before asking for repairs, conduct your own inspection first. If you find a problem that is not explained in the manual, do not attempt to dismantle the tool. Instead,

ask Dolmar Authorized Service Centers, always using Dolmar replacement parts for repairs.

State of abnormality	Probable cause (malfunction)	Remedy
The washer does not start.	No electricity	Connect the plug to the mains. Also check if electricity is being supplied to the mains.
	The switch is not turned on.	Turn on the switch.
	Residual pressure in the pump	Pull the trigger.
	Damaged cord or electric circuit	Contact an authorized service center for repairs.
No water jet / weak water jet	No water supply	Make sure that the faucet is open. If using the suction hose set, introduce water into the hose.
	Poor water supply	Turn on the faucet.
	Poor water hose connection	Check the connection between the water hose and the faucet and inlet on the high pressure washer.
	Clogged hose, filter, or nozzle	Unclog the hose, filter, or nozzle.
	Air is blocking the flow of water.	Turn off the switch and then turn it on again while squeezing the trigger.
	Damaged or worn nozzle	Replace the nozzle.
Unstable water jet.	Pump or valve malfunction	Contact an authorized service center for repairs.
	Clogged nozzle	Unclog on the ejection hole of the nozzle using the cleaner pin.
	Poor water suction	Check the water hose starting from the faucet for any leakage or clogs. Turn on the faucet.
	The water is too hot.	Supply cooler water.
Abnormal sound.	Valve malfunction	Contact an authorized service center for repairs.
	The water is too hot.	Supply cooler water.
Water/oil leakage.	Air is stuck in the pump.	Contact an authorized service center for repairs.
	Poor connection	Check the connection between the high pressure hose and the trigger gun and high pressure washer.
The pump does not run even though the motor sound is heard.	Worn out sealings	Contact an authorized service center for repairs.
	Unsuitable extension cord.	Use an extension cord suitable for the rating of the product.

OPTIONAL ACCESSORIES

⚠ CAUTION: These accessories or attachments are recommended for use with your Dolmar tool specified in this manual. The use of any other accessories or attachments might present a risk of injury to persons. Only use accessory or attachment for its stated purpose.

If you need any assistance for more details regarding these accessories, ask your local Dolmar Service Center.

NOTE: Some items in the list may be included in the tool package as standard accessories. They may differ from country to country.

Spray lance

► Fig.37

Jet width can be adjusted from 0° to 25° by rotating the front end of the nozzle.

⚠ CAUTION: When adjusting the jet width, do not rotate the nozzle while pulling it toward the trigger gun. The nozzle may come off from the trigger gun and cause a personal injury.

Washing brush (long)

► Fig.38

A nozzle equipped with a brush. Useful for washing out dirt while scrubbing with brush.

Suction hose set

► Fig.39

Replace the water hose with this set to supply water from a tank or reservoir.

Rotating wash brush

► Fig.40

Three brushes inside rotate slowly when ejecting the jet. Suitable for cleaning light dirt on a exterior wall, car body, bath tub, etc.

Lance extension

► Fig.41

Pipes to extend the length of the trigger gun. Three different lengths are available by changing the number of the pipes to be used.

Under body spray lance

► Fig.42

An extra long spray lance with angled nozzle. Best for cleaning hard-to-reach areas such as car under body and roof gutter.

⚠ CAUTION: Do not use the under body spray lance with the lance extension.

Splash guard

► Fig.43

Reduces splash back when cleaning corners with the dirt blaster.

Swivel joint

► Fig.44

Prevents the high-pressure hose from being twisted.

Connecting joint

► Fig.45

A joint to connect with a nozzle from other model.

NOTE: The connecting joint is needed when using the nozzles included with another model, HP-350 or HP-400.

Pipe-cleaning set (10 m/15 m)

► Fig.46

For cleaning and unclogging plumbing and downpipes.

⚠ CAUTION: Pay particular attention to the water jet when using the pipe cleaning set. Highly intense water jet is ejected backward.

Extension high-pressure hose (5 m/8 m/10 m)

► Fig.47

Extension hose to connect the high pressure washer body with the trigger gun.

OSTRZEŻENIE

- Urządzenia nie powinny być użytkowane przez dzieci. Należy zwracać uwagę, aby dzieci nie bawiły się urządzeniem.
- To urządzenie nie jest przeznaczone do użytkowania przez osoby (w tym dzieci) o ograniczonej sprawności ruchowej, sensorycznej i umysłowej oraz osoby nieposiadające odpowiedniej wiedzy i doświadczenia.
- Urządzenie jest przeznaczone do użytku ze środkiem myjącym dostarczonym lub zalecanym przez producenta. Zastosowanie innych środków myjących lub środków chemicznych może niekorzystnie wpłynąć na bezpieczeństwo urządzenia.
- Nieprawidłowe korzystanie ze strumienia pod wysokim ciśnieniem może być niebezpieczne. Strumienia nie należy kierować w stronę ludzi czy urządzeń elektrycznych pod napięciem ani na samo urządzenie.
- Nie należy używać urządzenia w pobliżu ludzi, chyba że noszą odpowiednią odzież ochronną.
- Nie należy kierować strumienia na siebie ani na inne osoby w celu oczyszczenia odzieży lub obuwia.
- Niebezpieczeństwo wybuchu – nie rozpylać łatwopalnych płynów.
- Myjki ciśnieniowe nie powinny być użytkowane przez dzieci ani osoby bez odpowiedniego przeszkolenia.
- Węże wysokociśnieniowe, elementy połączeniowe i złączki są bardzo ważne dla bezpieczeństwa urządzenia. Należy stosować wyłącznie węże, elementy połączeniowe i złączki zalecane przez producenta.
- Aby zapewnić bezpieczeństwo urządzenia, należy stosować wyłącznie oryginalne części zamienne od producenta lub zatwierdzone przez producenta.
- Przed wykonaniem jakichkolwiek prac przy narzędziu należy upewnić się, że jest ono wyłączone i odłączone od zasilania.
- Nie należy używać urządzenia w przypadku uszkodzenia jego przewodu zasilania lub ważnych elementów, takich jak zabezpieczenia, węże wysokociśnieniowe lub pistolet spustowy.

- Nieodpowiednie przedłużacze mogą być niebezpieczne. W przypadku korzystania z przedłużacza powinien on być przeznaczony do zastosowań zewnętrznych, a ponadto należy dbać, aby połączenie było suche i nie leżało na ziemi. Zalecane jest użycie w tym celu szpuli przewodu, która utrzymuje gniazdo na wysokości co najmniej 60 mm nad ziemią.
- Przed pozostawieniem urządzenia bez nadzoru należy bezwzględnie użyć odłącznika sieciowego.
- Przestrzegać wymagań lokalnej firmy wodociągowej.
- Kraje europejskie:
Zgodnie z normą EN12729 (BA) urządzenie można podłączyć również do sieci wodociągowej wody pitnej, jeśli na wężu zasilającym jest zainstalowany zawór zwrotny ze spustem zapobiegający przepływowi wstecznemu.

DANE TECHNICZNE

Model:	HP351	HP401
Maks. objętość podawania	7,0 l/min	7,5 l/min
Prędkość przepływu wody	5,5 l/min	6,0 l/min
Maks. dopuszczalne ciśnienie	12 MPa (120 bar)	13 MPa (130 bar)
Ciśnienie robocze	Tryb wysokiego ciśnienia	10 MPa (100 bar)
	Tryb niskiego ciśnienia	-
Maks. ciśnienie podawania	1 MPa (10 bar)	
Maks. temperatura podawania	40°C	
Maks. wysokość zasysania	1,0 m	
Wymiary (dług. × szer. × wys.)	292 mm × 358 mm × 830 mm	
Waga	11,0 kg	12,7 kg
Zabezpieczenie silnika	IPX5	

- W związku ze stale prowadzonym przez naszą firmę programem badawczo-rozwojowym niniejsze dane mogą ulec zmianom bez wcześniejszego powiadomienia.
- Dane techniczne mogą różnić się w zależności od kraju.
- Ciężar podany zgodnie z procedurą EPTA 01/2003.

Symbol

Poniżej pokazano symbole zastosowane na urządzeniu. Przed rozpoczęciem użytkowania należy zapoznać się z ich znaczeniem.



Przeczytać instrukcję obsługi.



Zachować szczególną ostrożność.



PODWÓJNA IZOLACJA



Dotyczy tylko państw UE
Nie wyrzucać urządzeń elektrycznych wraz z odpadami z gospodarstwa domowego! Zgodnie z dyrektywą europejską w sprawie zużytego sprzętu elektrycznego i elektronicznego oraz dostosowaniem jej do prawa krajowego, zużyte urządzenia elektryczne należy składować osobno i przekazywać do zakładu recyklingu działającego zgodnie z przepisami dotyczącymi ochrony środowiska.



Nie należy kierować strumienia na siebie ani też w stronę innych ludzi, zwierząt i urządzeń elektrycznych pod napięciem.



Nieodpowiedni do podłączenia do sieci wodociągowej wody pitnej.

Przeznaczenie

Narzędzie jest przeznaczone do usuwania uporczywych zabrudzeń przy użyciu strumienia wody. Narzędzie jest przeznaczone do zastosowań domowych.

Zasilanie

Narzędzie wolno podłączać tylko do źródeł zasilania o napięciu zgodnym z napięciem podanym na tabliczce znamionowej. Można je zasilać wyłącznie jednofazowym prądem przemiennym. Narzędzie ma podwójną izolację, dlatego też można je zasilac z gniazda elektrycznego bez uziemienia.

Dotyczy niskonapięciowych sieci elektroenergetycznych o napięciu pomiędzy 220 V a 250 V

Włączanie i wyłączanie urządzeń elektrycznych powoduje wahania napięcia. Posługiwanie się narzędziem przy niesprzyjających parametrach zasilania może mieć niekorzystny wpływ na działanie innych urządzeń. Jeśli impedancja sieci elektrycznej jest mniejsza lub równa 0,25 Ω można założyć, że niekorzystne efekty nie wystąpią. Gniazdo sieciowe używane do podłączenia tego urządzenia powinno być zabezpieczone bezpiecznikiem lub wyłącznikiem o zwłocznej charakterystyce wyłączania.

Hałas

Typowy równoważny poziom dźwięku A określony w oparciu o normę EN60335-2-79:

Model HP351

Poziom ciśnienia akustycznego (L_{pA}): 72 dB(A)
Niepewność (K): 3,8 dB(A)

Model HP401

Poziom ciśnienia akustycznego (L_{pA}): 76 dB(A)
Niepewność (K): 2,4 dB(A)

Poziom hałasu podczas pracy może przekraczać 80 dB (A).

OSTRZEŻENIE: Nosić ochronniki słuchu.

Drgania

Całkowita wartość poziomu drgań (suma wektorów w 3 osiach) określona zgodnie z normą EN60335-2-79:

Model HP351

Emisja drgań (a_h): 4,11 m/s²
Niepewność (K): 1,5 m/s²

Model HP401

Emisja drgań (a_h): 4,86 m/s²
Niepewność (K): 1,5 m/s²

WSKAZÓWKA: Deklarowana wartość wytwarzanych drgań została zmierzona zgodnie ze standardową metodą testową i można ją wykorzystać do porównywania narządzi.

WSKAZÓWKA: Deklarowaną wartość wytwarzanych drgań można także wykorzystać we wstępnej ocenie narażenia.

OSTRZEŻENIE: Drgania wytwarzane podczas rzeczywistego użytkowania elektronarzędzia mogą się różnić od wartości deklarowanej, w zależności od sposobu jego użytkowania.

OSTRZEŻENIE: W oparciu o szacowane narażenie w rzeczywistych warunkach użytkowania należy określić środki bezpieczeństwa w celu ochrony operatora (uwzględniając wszystkie elementy cyklu działania, tj. czas, kiedy narzędzie jest wyłączone i kiedy pracuje na biegu jałowym, a także czas, kiedy jest włączone).

Deklaracja zgodności WE

Dotyczy tylko krajów europejskich

Deklaracja zgodności WE jest dołączona jako załącznik A do niniejszej instrukcji obsługi.

OSTRZEŻENIA DOTYCZĄCE BEZPIECZEŃSTWA

OSTRZEŻENIE: Przeczytać wszystkie ostrzeżenia bezpieczeństwa i wszystkie instrukcje. Niezastosowanie się do wspomnianych ostrzeżeń i instrukcji może doprowadzić do porażenia prądem elektrycznym, pożaru i/lub poważnych obrażeń ciała.

Wszystkie ostrzeżenia i instrukcje należy zachować do wykorzystania w przyszłości.

Bezpieczeństwo w miejscu pracy

1. **W miejscu pracy nie powinny przebywać żadne osoby.**
2. **Nie należy sięgać zbyt daleko ani stawać na niestabilnych podporach. Zawsze należy zachowywać odpowiednią pozycję stóp i utrzymywać równowagę.**
3. **Zawsze należy stawiać korpus myjki wysokociśnieniowej na poziomej i stabilnej powierzchni. Unikać obszarów, w których wyrzucana woda będzie służyła lub tworzyła kałuże.**
4. **Przed rozpoczęciem mycia należy sprawdzić otoczenie oraz obiekty, które mają być myte. Strumienie pod wysokim ciśnieniem mogą spowodować złuszczenie farby lub innych warstw na powierzchni zawierających toksyczne substancje chemiczne. W razie potrzeby należy podjąć odpowiednie działania zaradcze.**
5. **Należy zachować ostrożność, aby nie nadenąć na przewód lub wąż myjki wysokociśnieniowej. Podczas pracy należy zawsze zwracać uwagę na poprowadzenie przewodu i węża.**
6. **Z dolnej części pracującej myjki wysokociśnieniowej wypływa niewielka ilość wody. Unikać ustawiania myjki wysokociśnieniowej w miejscach, które nie powinny być zawiłgoczone.**

Bezpieczeństwo osobiste

1. Aby chronić się przed strumieniem i obiektami na drodze strumienia, operatorzy powinni nosić odpowiednią odzież – obuwie ochronne, rękawice ochronne, kask ochronny z daszkiem, ochronniki słuchu itp.
2. Nie należy używać myjki wysokociśnieniowej w pobliżu ludzi, chyba że noszą odpowiednią odzież ochronną.
3. W przypadku użytkowania produktu przez dzieci należy zapewnić ścisły nadzór, aby zmniejszyć ryzyko obrażeń.
4. Woda wypływająca przez zabezpieczenie przed przepływem wstecznym nie nadaje się do picia.

Bezpieczeństwo elektryczne

1. Nigdy nie należy używać myjki wysokociśnieniowej na zewnątrz podczas deszczu.
2. Nigdy nie należy dotykać wtyku i/lub gniazda sieciowego mokrymi rękami.
3. Nie należy używać urządzenia w przypadku uszkodzenia jego przewodu zasilania lub ważnych elementów, takich jak zabezpieczenia, węże wysokociśnieniowe czy pistolet spustowy.
4. Wtyk musi pasować do gniazda. W żadnym wypadku nie należy przerabiać wtyku. W przypadku elektronarzędzi z uzziemieniem nie należy stosować wtyków rozgałęźnych. Oryginalne wtyki i dopasowane do nich gniazda zmniejszają ryzyko porażenia prądem.
5. Nieodpowiednie przedłużacze mogą być niebezpieczne. W przypadku korzystania z przedłużacza powinien on być przeznaczony do zastosowań zewnętrznych, a ponadto należy dbać, aby połączenie było suche i nie leżało na ziemi. Zalecane jest użycie w tym celu szpuli przewodu, która utrzymuje gniazdo na wysokości co najmniej 60 mm nad ziemią.
6. W przypadku korzystania z przedłużacza należy uwzględnić następujące uwagi:
 - Używać wyłącznie przedłużaczy przeznaczonych do zastosowań zewnętrznych.
 - Używać wyłącznie przedłużaczy o parametrach elektrycznych równych lub wyższych od parametrów produktu.
 - Nie używać uszkodzonych przedłużaczy.
 - Sprawdzać przedłużacze przed użyciem i wymieniać je w przypadku uszkodzenia.
 - Nie działać na przedłużacze z nadmierną siłą ani szarpać za przewody w celu ich odłączenia.
 - Przewody należy chronić przed ciepłem i ostrymi krawędziami.
 - Zawsze przed odłączeniem produktu od przedłużacza należy odłączyć przedłużacz od gniazda zasilania.
7. Podłączenie do zasilania powinno zostać wykonane przez odpowiednio wykwalifikowanego elektryka i być zgodnie z normą IEC 60364-1. Zalecane jest, aby obwód zasilania tego urządzenia był wyposażony w wyłącznik różnicowoprądowy odłączający zasilanie, gdy prąd upływu do ziemi przekracza 30 mA w ciągu 30 ms, ewentualnie w urządzenie kontrolujące obwód uzziemienia.

Użytkowanie i utrzymywanie elektronarzędzia w dobrym stanie

1. Przed rozpoczęciem użytkowania produktu należy zapoznać się z wszystkimi instrukcjami.
2. Należy wiedzieć, jak zatrzymać myjkę wysokociśnieniową i szybko obniżyć ciśnienie. Należy uważnie zapoznać się z elementami sterowania.
3. Nieprawidłowe korzystanie ze strumienia pod wysokim ciśnieniem może być niebezpieczne. Strumienia nie należy kierować w stronę ludzi czy urządzeń elektrycznych pod napięciem ani na samo urządzenie.
4. To urządzenie nie jest przeznaczone do użytkowania przez osoby (w tym dzieci) o ograniczonej sprawności ruchowej, sensorycznej i umysłowej oraz osoby nieposiadające odpowiedniej wiedzy i doświadczenia.
5. Należy pilnować, aby dzieci nie bawiły się urządzeniem.
6. Nie należy rozpylać łatwopalnych i/lub toksycznych płynów. Może to spowodować wybuch, zatrucie lub uszkodzenie urządzenia.
7. Nie należy kierować strumienia na siebie ani na inne osoby w celu oczyszczenia odzieży lub obuwia.
8. Węże wysokociśnieniowe, elementy połączeniowe i złączki są bardzo ważne dla bezpieczeństwa urządzenia. Należy stosować wyłączni węże, elementy połączeniowe i złączki zalecane przez producenta.
9. Podczas wymiany akcesoriów należy przestrzegać instrukcji.
10. Dbać, aby uchwyty były suche, czyste i niezabrudzone olejem ani smarem.
11. Zwracać uwagę na wykonywane czynności.
12. Nie obsługiwać produktu w stanie zmęczenia ani pod wpływem alkoholu lub narkotyków.
13. Nie uruchamiać myjki wysokociśnieniowej bez wody na dłużej niż minutę. Może to spowodować uszkodzenie silnika prowadzące do awarii.
14. Przed pozostawieniem myjki wysokociśnieniowej bez nadzoru bezwzględnie wyłączyć zasilanie i zamknąć źródło dopływu wody.
15. Zwracać uwagę na zjawisko odrzutu. Wyrzut strumienia wody pod wysokim ciśnieniem powoduje odrzut pistoletu spustowego. Należy silnie trzymać pistolet spustowy, aby zapobiec przypadkowym obrażeniom.
16. Przed użyciem należy przeprowadzić kontrolę pod kątem uszkodzonych lub zużytych części. Należy także upewnić się, że wąż jest prawidłowo podłączony, a podczas pracy nie dochodzi do wycieków. Korzystanie z uszkodzonego urządzenia grozi wypadkiem.
17. Urządzenie jest przeznaczone do użytku ze środkiem myjącym dostarczonym lub zalecanym przez producenta. Zastosowanie innych środków myjących lub środków chemicznych może niekorzystnie wpłynąć na bezpieczeństwo urządzenia.

18. W celu przesunięcia korpusu myjki wysokociśnieniowej nie należy ciągnąć za przewód ani za wąż. Spowoduje to uszkodzenie przewodu, węża oraz elementów połączeniowych i doprowadzi do zwarcia lub innych uszkodzeń.
19. Na wężu nie należy umieszczać ciężkich przedmiotów; nie wolno też pozwalać, aby przejeżdżały po nim pojazdy.
20. Przed odłączeniem węża należy bezwzględnie usunąć ciśnienie resztkowe w pistolecie spustowym.
21. Podczas podłączania węża do źródła dopływu wody należy przestrzegać instrukcji lokalnego zakładu wodociągowego.

Serwis

1. Przestrzegać instrukcji podanych w instrukcji.
2. Aby zapewnić bezpieczeństwo urządzenia, należy stosować wyłącznie oryginalne części zamienne od producenta lub zatwierdzone przez producenta.
3. Myjka wysokociśnieniowa powinna być serwisowana przez wykwalifikowany personel, z użyciem wyłączników oryginalnych części zamiennych. Zapewni to zachowanie bezpieczeństwa pracy z myjką wysokociśnieniową.
4. W przypadku uszkodzenia lub usterki myjki wysokociśnieniowej należy natychmiast ją wyłączyć i wyjąć tytek z gniazda sieciowego. Skontaktować się z lokalnym przedstawicielem lub z punktem serwisowym.

ZACHOWAĆ NINIEJSZE INSTRUKCJE.

⚠️ OSTRZEŻENIE: NIE WOLNO pozwolić, aby wygoda lub rutyna (nabyta w wyniku wielokrotnego używania urządzenia) zastąpiły ścisłe przestrzeganie zasad bezpieczeństwa obsługi.

NIEWŁAŚCIWE UŻYTKOWANIE narzędzia lub niestosowanie się do zasad bezpieczeństwa podanych w niniejszej instrukcji obsługi może prowadzić do poważnych obrażeń ciała.

OPIS DZIAŁANIA

⚠️ PRZESTROGA: Przed rozpoczęciem regulacji lub sprawdzeniem działania narzędzia należy upewnić się, że jest ono wyłączone i nie podłączone do sieci.

Przełącznik zasilania

UWAGA: Nie należy obracać przełącznika zasilania na siłę. Może to spowodować uszkodzenie przełącznika.

Informacje dotyczące modelu HP351

► Rys.1: 1. Pozycja WYŁ. 2. Pozycja WŁ.

Aby włączyć myjkę wysokociśnieniową, należy obrócić przełącznik zasilania w prawo.

Informacje dotyczące modelu HP401

Obrócić przełącznik zasilania w prawo lub w lewo w zależności od poziomu ciśnienia. Obrócić przełącznik zasilania w prawo w celu włączenia trybu wysokiego ciśnienia lub w lewo w celu włączenia trybu niskiego ciśnienia.

► Rys.2: 1. Tryb niskiego ciśnienia 2. Pozycja WYŁ. 3. Tryb wysokiego ciśnienia

Funkcje dyszy

Lanca rozpylająca Vario-Power

► Rys.3

Ciśnienie strumienia można regulować, obracając dyszą.

⚠️ PRZESTROGA: Podczas regulacji ciśnienia strumienia nie należy obracać dyszą i jednocześnie dociągać jej do pistoletu spustowego i spowodować obrażenia ciała.

Dysza do usuwania zabrudzeń

► Rys.4

Strumień ma kształt spiralny. Odpowiednia do usuwania uporczywych zabrudzeń.

UWAGA: Dyszy do usuwania zabrudzeń nie należy używać do mycia delikatnych powierzchni, takich jak okna czy nadwozie pojazdów.

Dysza piany

► Rys.5

Detergent może być rozpylany w postaci piany.

Obsługa spustu

Pociągnąć spust, aby uruchomić strumień wody. Strumień będzie wytwarzany przez cały czas naciskania spustu. Spust można zablokować, aby bezpiecznie operować pistoletem spustowym. Aby zablokować spust, należy wyciągnąć ogranicznik i zaczeplić go o rowek na rękojeści.

► Rys.6: 1. Ogranicznik 2. Rowek

UWAGA: Aby uniknąć problemów mechanicznych w przełączniku ciśnieniowym, pomiędzy poszczególnymi operacjami spustu należy zawsze odczekać dwie sekundy.

Zawór bezpieczeństwa

Urządzenie zostało wyposażone w zawór bezpieczeństwa, który chroni przed zbyt wysokim ciśnieniem. Zwolnienie spustu powoduje otwarcie zaworu i ponowny obieg wody przez wlot pompy.

⚠ PRZESTROGA: Nie należy manipulować przy zaworze bezpieczeństwa ani go regulować.

Szpula węża

Dotyczy tylko modelu HP401

Aby rozwinąć wąż, należy w pierwszej kolejności wyjąć wąż z zatrzasku. Rozłożyć uchwyt i obracać nim w prawo. Podczas użytkowania myjki wysokociśnieniowej należy zawsze całkowicie rozwinąć wąż.

► **Rys.7:** 1. Szpula węża 2. Uchwyt 3. Końcówka węża

Przed przechowywaniem węża należy obrócić uchwyt w lewo i przymocować końcówkę węża.

► **Rys.8:** 1. Zatrzask 2. Uchwyt

Doprowadzanie wody ze zbiornika

Akcesoria opcjonalne

Wodę zamiast z kranu można doprowadzać ze zbiornika.

Zamienić złącze węża wody na zestaw węża ssącego (akcesorium opcjonalne). Podczas podłączania zestawu węża ssącego należy odłączyć obudowę filtra od węża i podłączyć ją do wlotu na myjce wysokociśnieniowej. Następnie podłączyć wąż do obudowy filtra.

► **Rys.9:** 1. Zbiornik 2. Zestaw węża ssącego 3. Złącze węża wody 4. Wąż 5. Obudowa filtra 6. Wlot na myjce wysokociśnieniowej

UWAGA: Zawsze należy korzystać z zestawu węża ssącego Makita.

UWAGA: Nie należy przekraczać różnicy wysokości 1,0 m (3,28 stopy) pomiędzy wlotem na myjce wysokociśnieniowej i powierzchnią wody.

W przeciwnym razie myjka wysokociśnieniowa nie będzie mogła pobierać wody do pompy.

Aby wprowadzić wodę do węża, należy zdjąć dyszę z pistoletu spustowego i włączyć myjkę wysokociśnieniową przy wciśniętym spuście. Gdy woda będzie stabilnie wyrzucana z pistoletu spustowego, zwolnić spust i zamontować odpowiednią dyszę.

► **Rys.10:** 1. Pistolet spustowy

WSKAZÓWKA: Jeśli woda nie jest wyrzucana, należy odłączyć zestaw węża ssącego i zanurzyć go w wodzie. Następnie należy ponownie podłączyć go do myjki wysokociśnieniowej.

► **Rys.11:** 1. Zestaw węża ssącego

MONTAŻ

⚠ PRZESTROGA: Przed wykonywaniem jakichkolwiek prac przy narzędziu należy upewnić się, że jest ono wyłączone i odłączone od zasilania.

Montaż uchwytu do przenoszenia

Dotyczy tylko modelu HP351

1. Połączyć przednią i tylną połówkę uchwytu, wyrównując otwory śrub na korpusie myjki wysokociśnieniowej.

► **Rys.12:** 1. Przednia połówka uchwytu 2. Tylna połówka uchwytu 3. Korpus myjki wysokociśnieniowej

2. Przymocować uchwyt do przenoszenia przy użyciu śrub (7 szt.).

► **Rys.13**

Podłączanie węża wysokociśnieniowego

Dotyczy tylko modelu HP351

Podłączyć wąż wysokociśnieniowy do wylotu (oznaczonego symbolem pistoletu). Obrócić nakrętkę na wężu wysokociśnieniowym w prawo, aby nakręcić ją na gwint wylotu.

► **Rys.14:** 1. Wylot 2. Nakrętka

⚠ PRZESTROGA: Upewnić się, że wąż wysokociśnieniowy jest prawidłowo podłączony. Luźne połączenie może spowodować wyrzucenie węża wysokociśnieniowego prowadzące do obrażeń ciała.

Podłączanie pistoletu spustowego

Podłączyć wąż wysokociśnieniowy do wlotu na pistolecie spustowym. Obrócić nakrętkę na wężu wysokociśnieniowym w prawo, aby nakręcić ją na gwint wlotu.

► **Rys.15:** 1. Wlot 2. Nakrętka

⚠ PRZESTROGA: Upewnić się, że wąż wysokociśnieniowy jest prawidłowo podłączony. Luźne połączenie może spowodować wyrzucenie węża wysokociśnieniowego prowadzące do obrażeń ciała.

Podłączanie do kranu

⚠ PRZESTROGA: Zawsze należy stosować ciśnieniowy wąż wody o średnicy co najmniej $\varnothing 13$ mm i podłączać go do kranu przy użyciu odpowiednich elementów połączeniowych. W przeciwnym razie wąż wody i/lub element połączeniowy może się uszkodzić i spowodować obrażenia ciała.

UWAGA: Należy stosować jak najkrótszy ciśnieniowy wąż wody. Ilość doprowadzanej wody powinna być większa niż maksymalna objętość podawania pompy.

UWAGA: W przypadku podłączenia do źródła wody pitnej należy korzystać z zaworu zabezpieczającego przed przepływem wstecznym zgodnego z przepisami obowiązującymi w danym regionie.

Przygotować ciśnieniowy wąż wody. Podłączyć tulejkę złączki do jednej końcówki, a następnie podłączyć drugą końcówkę do kranu w sposób przedstawiony poniżej.

1. Odkręcić nakrętkę na tulejce złączki, a następnie przełożyć ciśnieniowy wąż wody przez nakrętkę. Wsunąć końcówkę węża do tulejki złączki i dokręcić nakrętkę.

► **Rys.16:** 1. Ciśnieniowy wąż wody 2. Nakrętkę tulejki złączki 3. Tulejka złączki

WSKAZÓWKA: W przypadku podłączenia ciśnieniowego węża wody do kranu przy użyciu tulejki złączki należy podłączyć ją do obu końcówek węża.

2. Podłączyć ciśnieniowy wąż wody do kranu. Użyć odpowiedniego elementu połączeniowego, takiego jak opaska węża lub złącze zaworu wody, aby unieruchomić końcówkę węża na kranie.

► **Rys.17:** 1. Opaska węża 2. Złącze zaworu wody 3. Ciśnieniowy wąż wody

WSKAZÓWKA: Element połączeniowy zależy od kształtu kranu, do którego jest podłączany. Należy przygotować odpowiedni dostępny w handlu element połączeniowy.

3. Podłączyć złącze węża wody do wlotu (oznaczonego symbolem kranu), a następnie wsunąć tulejkę złączki.

► **Rys.18:** 1. Tulejka złączki 2. Złącze węża wody 3. Wlot

Podłączanie/odłączanie dyszy

PRZESTROGA: Na czas podłączania/odłączania dyszy należy bezwzględnie zablokować spust.

Wsunąć końcówkę dyszy do gniazda w pistolecie spustowym, a następnie obrócić ją w kierunku wskazanym strzałką, jak pokazano na rysunku. W celu odłączenia należy obrócić dyszę w przeciwnym kierunku, jednocześnie dociskając ją do pistoletu spustowego.

► **Rys.19:** 1. Pistolet spustowy 2. Otwór 3. Końcówka dyszy

Niektóre dysze opcjonalne można podłączyć do pistoletu spustowego przez złącze przejściowe (akcesorium opcjonalne). Złącze przejściowe podłącza się do pistoletu spustowego w taki sam sposób jak dyszę.

► **Rys.20:** 1. Końcówka 2. Złącze przejściowe 3. Pistolet spustowy

WSKAZÓWKA: Złącze przejściowe jest wymagane podczas korzystania z dyszy dołączonych do innego modelu, HP-350 lub HP-400.

Podłączanie dyszy piany

PRZESTROGA: Na czas podłączania/odłączania dyszy należy bezwzględnie zablokować spust.

Przed użyciem dyszy piany należy przygotować detergent.

1. Zdjąć dyszę ze zbiornika, obracając ją w lewo. Przyczołować dyszę do pistoletu spustowego.

► **Rys.21:** 1. Końcówka 2. Pistolet spustowy

2. Włączyć detergent do zbiornika, a następnie zainstalować zbiornik na dyszy.

► **Rys.22:** 1. Zbiornik

UWAGA: Używać wyłącznie neutralnego detergentu. Detergent o odczynie kwasowym lub zasadowym mógłby spowodować uszkodzenie zbiornika lub dyszy.

OBSŁUGA

OSTRZEŻENIE: Nie należy dotykać strumienia wody ani też kierować go na siebie lub inne osoby. Strumień wody jest niebezpieczny i może spowodować obrażenia u użytkownika lub innych osób.

OSTRZEŻENIE: Podczas uruchamiania strumienia wody nigdy nie należy trzymać czyszczonego obiektu ani umieszczać ręką i stóp w pobliżu strumienia wody.

PRZESTROGA: Zwracać uwagę na odbicie strumienia wody od pobliskich przedmiotów. Nie należy zbliżyć dyszy na odległość poniżej 30 cm.

PRZESTROGA: Nie należy uruchamiać myjki wysokociśnieniowej bez wody na dłużej niż 1 minutę.

PRZESTROGA: Nie należy obsługiwać myjki wysokociśnieniowej przez dłuższy czas. Może to spowodować przegrzanie lub pożar. Dłuższe użytkowanie może także spowodować chorobę wibracyjną.

PRZESTROGA: Należy zwracać uwagę na kierunek wiatru. Jeśli detergent dostanie się do oczu lub ust, należy natychmiast przepłukać je czystą wodą i w razie potrzeby skontaktować się z lekarzem.

UWAGA: Należy unikać użytkowania myjki wysokociśnieniowej dłużej niż przez 1 godzinę. Po użytkowaniu przez 1 godzinę należy zrobić przerwę o takiej samej długości.

1. Podłączyć końcówkę węża wysokociśnieniowego do pistoletu spustowego. W przypadku modelu HP351 podłączyć drugą końcówkę do myjki wysokociśnieniowej. W przypadku modelu HP401 rozwinąć całkowicie wąż.

2. Podłączyć myjkę wysokociśnieniową do kranu, a następnie otworzyć kran.

► **Rys.23**

UWAGA: Aby chronić mechanizm myjki wysokociśnieniowej, nie należy używać wody o temperaturze powyżej 40°C.

3. Podłączyć myjkę wysokociśnieniową do gniazda sieciowego i włączyć ją.

► **Rys.24:** 1. Przełącznik zasilania

4. Aby uruchomić strumień wody, odblokować ogranicznik i nacisnąć spust. Strumień będzie wytwarzany przez cały czas naciskania spustu.

► **Rys.25:** 1. Ogranicznik

PRZESTROGA: Silnie chwycić pistolet spustowy. Pociągnięcie spustu powoduje odrzut pistoletu spustowego.

PRZESTROGA: Podczas mycia należy zawsze silnie trzymać pistolet spustowy za rękkość i rurę. Gdy silnik pracuje, nie należy dotykać żadnych części na korpusie myjki wysokociśnieniowej z wyjątkiem uchwytu do przenoszenia i przełącznika zasilania.

UWAGA: Podczas pracy nie należy ciągnąć zbyt silnie za pistolet spustowy. Może to spowodować przewrócenie myjki wysokociśnieniowej.

Po zakończeniu pracy

PRZESTROGA: Po zakończeniu pracy należy bezwzględnie przeprowadzić procedurę opisaną w tej instrukcji. Ciśnienie resztkowe w pistolecie spustowym lub w myjce wysokociśnieniowej może spowodować obrażenia ciała albo uszkodzenie pompy myjki.

1. Po zakończeniu pracy należy pozostawić przełącznik zasilania w pozycji włączenia.

2. Zamknąć kran i odłączyć wąż wody od myjki wysokociśnieniowej.

► **Rys.26**

3. Nacisnąć spust aż do usunięcia wody pozostałej w myjce wysokociśnieniowej.

Nie uruchamiać silnika na czas dłuższy niż 1 minuta.

► **Rys.27**

4. Wyłączyć myjkę wysokociśnieniową i odłączyć ją od gniazda sieciowego.

► **Rys.28:** 1. Przełącznik zasilania

5. Odłączyć wąż wysokociśnieniowy od pistoletu spustowego.

► **Rys.29:** 1. Pistolet spustowy 2. Wąż wysokociśnieniowy

W przypadku modelu HP351 odłączyć również wąż wysokociśnieniowy od myjki wysokociśnieniowej.

► **Rys.30:** 1. Wąż wysokociśnieniowy

W przypadku modelu HP401 zwinąć wąż i przymocować jego końcówkę.

► **Rys.31:** 1. Zatrask 2. Uchwyt

UWAGA: Aby zapobiec uszkodzeniom węża wysokociśnieniowego, należy przed jego przechowywaniem usunąć pozostałą w jego wnętrzu wodę.

KONSERWACJA I PRZECHOWYWANIE

PRZESTROGA: Przed przystąpieniem do przeglądu narzędzia lub jego konserwacji upewnić się, że jest ono wyłączone i odłączone od zasilania.

UWAGA: Nie stosować benzyny, rozpuszczalników, alkoholu itp. środków. Mogą one powodować odbarwienia, odkształcenia lub pęknięcia.

Czyszczenie dyszy

Do usuwania zabrudzeń i odtkania dyszy należy używać szpilki do czyszczenia.

► **Rys.32:** 1. Szpilka do czyszczenia

UWAGA: Nie należy usuwać zabrudzeń na siłę. Może to spowodować obrażenia ciała lub uszkodzenie otworu wylotowego prowadzące do zmiany kąta strumienia albo spadku wydajności.

Czyszczenie filtra

Odłączyć złącze węża wody, a następnie usunąć zabrudzenia z wnętrza filtra.

► **Rys.33:** 1. Złącze węża wody 2. Filtr 3. Pierścień uszczelniający

Podczas korzystania z zestawu węża ssącego (akcesorium opcjonalne) należy wyjąć filtr z obudowy filtra, a następnie usunąć zabrudzenia.

► **Rys.34:** 1. Filtr 2. Obudowa filtra

WSKAZÓWK: Aby zachować optymalną wydajność, należy okresowo czyścić filtr.

Przechowywanie

Zwinąć wąż i przewód. Umieścić pistolet spustowy i dysze w kieszeniach.

HP351

► **Rys.35**

HP401

► **Rys.36**

PRZESTROGA: Zawsze przechowywać urządzenie w miejscach, w których panują dodatnie temperatury. W przypadku zamrożenia myjki wysokociśnieniowej powodującego jej nieprawidłową pracę należy skontaktować się z lokalnym punktem serwisowym w celu naprawy.

PRZESTROGA: Podczas przenoszenia myjki wysokociśnieniowej należy zawsze używać uchwytu do przenoszenia. Nie należy przenosić urządzenia za wąż ani przewód. Mogłoby to spowodować uszkodzenie węża lub przewodu.

PRZESTROGA: Myjki wysokociśnieniowej nie należy przenosić za wąż i/lub rozwinięty przewód. Mogłoby to spowodować uszkodzenie rozciągniętego węża lub przewodu albo zahaczenie o inne objekty, co z kolei grozi obrażeniami ciała lub uszkodzeniami.

W celu zachowania odpowiedniego poziomu BEZPIECZEŃSTWA i NIEZAWODNOŚCI produktu wszelkie naprawy i różnego rodzaju prace konserwacyjne lub regulacje powinny być przeprowadzane przez autoryzowany lub fabryczny punkt serwisowy narzędzi Makita, zawsze z użyciem oryginalnych części zamiennych Makita.

ROZWIĄZYWANIE PROBLEMÓW

Przed oddaniem urządzenia do naprawy należy najpierw przeprowadzić samodzielną kontrolę. W razie napotkania problemu, który nie został wyjaśniony w instrukcji, nie należy próbować demontować urządzenia

w własnym zakresie. Należy natomiast zlecić naprawę w autoryzowanym punkcie serwisowym firmy Dolmar; zawsze z użyciem oryginalnych części zamiennych Dolmar.

Nieprawidłowe działanie	Prawdopodobna przyczyna (usterka)	Rozwiązanie
Myjka się nie uruchamia.	Brak zasilania	Podłączyć wtyk zasilania do gniazda sieciowego. Sprawdzić także, czy w gnieździe sieciowym jest napięcie.
	Przełącznik nie jest włączony.	Włączyć przełącznik.
	Ciśnienie resztkowe w pompie	Pociągnąć za spust.
	Uszkodzenie przewodu lub obwodu zasilania	Skontaktować się z autoryzowanym punktem serwisowym w celu naprawy.
Brak strumienia wody / słaby strumień wody	Brak dopływu wody	Upewnić się, że kran jest otwarty. W przypadku korzystania z zestawu węża ssącego należy nalać wodę do węża.
	Niskie ciśnienie wody	Odkręcić kran.
	Nieprawidłowe podłączenie węża wody	Sprawdzić połączenie pomiędzy węzem wody, kranem oraz wlotem na myjce wysokociśnieniowej.
	Zatkanie węża, filtra lub dyszy	Odetkać wąż, filtr lub dyszę.
	Powietrze blokuje przepływ wody.	Wyłączyć przełącznik, a następnie włączyć go ponownie, naciskając spust.
	Uszkodzenie lub zużycie dyszy	Wymienić dyszę.
Niestabilny strumień wody.	Usterka pompy lub zaworu	Skontaktować się z autoryzowanym punktem serwisowym w celu naprawy.
	Zatkanie dyszy	Odetkać otwór wylotowy dyszy przy użyciu szpilki do czyszczenia.
	Niskie ciśnienie zasysania wody	Sprawdzić wąż wody pod kątem wycieków lub zatkania, rozpoczynając od kranu. Odkręcić kran.
	Woda jest zbyt gorąca.	Doprowadzić chłodniejszą wodę.
Nietypowy dźwięk.	Uszkodzenie zaworu	Skontaktować się z autoryzowanym punktem serwisowym w celu naprawy.
	Woda jest zbyt gorąca.	Doprowadzić chłodniejszą wodę.
Wyciek wody/oleju.	W pompie pozostało powietrze.	Skontaktować się z autoryzowanym punktem serwisowym w celu naprawy.
	Nieprawidłowe podłączenie	Sprawdzić połączenie pomiędzy węzem wysokociśnieniowym, pistoletem spustowym oraz myjką wysokociśnieniową.
Pompa nie pracuje pomimo słyszalnego dźwięku silnika.	Zużycie uszczelnień	Skontaktować się z autoryzowanym punktem serwisowym w celu naprawy.
	Nieodpowiedni przedłużacz.	Zastosować przedłużacz odpowiedni do parametrów produktu.

AKCESORIA OPCJONALNE

▲ PRZESTROGA: Zaleca się stosowanie wymienionych akcesoriów i przystawek razem z narzędziem Dolmar opisanym w niniejszej instrukcji. Stosowanie innych akcesoriów lub przystawek może być przyczyną obrażeń ciała. Akcesoriów lub przystawek należy używać tylko zgodnie z ich przeznaczeniem.

Wszelką pomoc oraz dodatkowe informacje szczegółowe na temat tego osprzętu można uzyskać w lokalnych punktach serwisowych Dolmar.

WSKAZÓWKA: Niektóre pozycje znajdujące się na liście mogą być dołączone do pakietu narzędziowego jako akcesoria standardowe. Mogą to być różne pozycje, w zależności od kraju.

Lanca rozpylająca

► Rys.37

Szerokość strumienia można regulować w zakresie od 0° do 25°, obracając przednią końcówką dyszy.

▲ PRZESTROGA: Podczas regulacji szerokości strumienia nie należy obracać dyszą i jednocześnie dociągać jej do pistoletu spustowego. Dysza może zostać wyrzucona z pistoletu spustowego i spowodować obrażenia ciała.

Szczotka do mycia (długa)

► Rys.38

Dysza wyposażona w szczotkę. Przydatna do zmywania zabrudzeń i jednoczesnego usuwania ich przy użyciu szczotki.

Zestaw węża ssącego

► Rys.39

Zamiana węża wody na ten zestaw pozwala doprowadzić wodę ze zbiornika.

Obrotowa szczotka do mycia

► Rys.40

Podczas wyrzucania strumienia wody powoli obracając się trzy szczotki znajdujące się wewnątrz. Do czyszczenia lżejszych zabrudzeń na ścianach zewnętrznych, nadwoziach pojazdów, wannach itp.

Przedłużenie lancy

► Rys.41

Rury służące do zwiększenia długości pistoletu spustowego. Przez zmianę liczby użytych rur można uzyskać trzy różne długości.

Lanca rozpylająca do podwozi

► Rys.42

Wydłużona lanca rozpylająca z dyszą kątową. Idealna do mycia trudno dostępnych obszarów, takich jak podwozia pojazdów lub rynny dachowe.

▲ PRZESTROGA: Lancy rozpylającej do podwozi nie należy używać z przedłużeniem lancy.

Chłapacz

► Rys.43

Ogranicza rozpryski podczas mycia narożników przy użyciu dyszy do usuwania zabrudzeń.

Złącze obrotowe

► Rys.44

Chroni wąż wysokociśnieniowy przed skręceniem.

Złącze przejściowe

► Rys.45

Złącze umożliwiający podłączenie dyszy z innego modelu.

WSKAZÓWKA: Złącze przejściowe jest wymagane podczas korzystania z dyszy dołączonych do innego modelu, HP-350 lub HP-400.

Zestaw do czyszczenia rur (10 m / 15 m)

► Rys.46

Do czyszczenia i odfekania instalacji wodno-kanalizacyjnych i rur spustowych.

▲ PRZESTROGA: Podczas korzystania z zestawu do czyszczenia rur należy zwracać szczególną uwagę na strumień wody. Wyrzucany jest silny wsteczny strumień wody.

Przedłużający wąż wysokociśnieniowy (5 m / 8 m / 10 m)

► Rys.47

Wąż przedłużający do połączenia korpusu myjki wysokociśnieniowej z pistoletem spustowym.

FIGYELMEZTETÉS

- A gépeket gyermekek nem használhatják. Ügyeljen rá, hogy gyermekek ne játszhassanak a géppel.
- A gépet nem használhatják olyan személyek (beleértve a gyerekeket is), akik korlátozott testi, érzékszervi vagy szellemi képességűek, illetve nem rendelkeznek megfelelő tapasztalattal és tudással.
- Ezt a gépet a gyártó által biztosított vagy ajánlott tisztítószerrel együtt történő használatra tervezték. Más tisztítószer vagy vegyszerek használata hátrányosan befolyásolhatja a gép biztonságosságát.
- A nagynyomású sugarak veszélyesek lehetnek, ha nem megfelelően használják őket. A sugarat nem szabad személyekre, áram alatt lévő elektromos berendezésekre vagy magára a gépre irányítani.
- Ne használja a gépet emberek közelében, kivéve ha védőruházatot viselnek.
- Ne irányítsa a sugarat saját magára vagy másokra ruhák vagy lábbelik tisztítása céljából.
- Robbanásveszély – Ne permetezzen gyúlékony folyadékokat.
- A nagynyomású mosót gyermekek vagy a használatára be nem tanított személyek nem használhatják.
- A nagynyomású tömlők, szerelvények és csatlakozók fontosak a gép biztonságossága szempontjából. Csak a gyártó által ajánlott tömlőket, szerelvényeket és csatlakozókat használjon.
- A gép biztonságossága érdekében csak a gyártótól származó vagy a gyártó által ajánlott eredeti pótalkatrészeket használjon.
- Mielőtt bármilyen munkát végezne rajta, mindig bizonyosodjon meg arról, hogy a szerszámot kikapcsolta, és a hálózatról lecsatlakoztatta.
- Ne használja a gépet, ha a tápkábel vagy a gép fontos részei – például a biztonsági készülékek, nagynyomású tömlők, pisztoly – hibásak.
- A nem megfelelő hosszabbítókábelek veszélyesek lehetnek. Ha hosszabbítókábelt használ, annak kültéri használatra alkalmaznak kell lennie, a csatlakozást pedig szárazon kell tartani, és fel kell emelni a földről. Javasolt, hogy ezt egy kábeldob útján valósítsák meg, amely a csatlakozóaljzatot legalább 60 mm-rel a föld fölött tartja.

- Mindig kapcsolja ki a fő leválasztókapcsolót, amikor felügyelet nélkül hagyja a gépet.
- Tartsa be a helyi vízszolgáltató társaság előírásait.
- Az európai országok esetében:
Az EN12729 (BA) szabályozásnak megfelelően a készülék az ivóvízhálózathoz is csatlakoztatható, amennyiben a tömlőhöz egy visszafolyásgátló szelepet csatlakoztat.

RÉSZLETES LEÍRÁS

Típus:	HP351	HP401
Max. betáplálási térfogat	7,0 l/perc	7,5 l/perc
Víz áramlási sebessége	5,5 l/perc	6,0 l/perc
Max. megengedett nyomás	12 MPa (120 bar)	13 MPa (130 bar)
Üzemi nyomás	Nagynyomású mód	10 MPa (100 bar)
	Kisnyomású mód	-
Max. betáplálási nyomás	1 MPa (10 bar)	
Max. betáplálási hőmérséklet	40 °C	
Max. szivási magasság	1,0 m	
Méreték (H x SZ x M)	292 mm x 358 mm x 830 mm	
Tömeg	11,0 kg	12,7 kg
Motor védelme	IPX5	

- Folyamatos kutató- és fejlesztőprogramunk eredményeként az itt felsorolt tulajdonságok figyelmeztetés nélkül megváltozhatnak.
- A tulajdonságok országról országra különbözhetnek.
- Súly, az EPTA 01/2003 eljárás szerint

Szimbólumok

A következőkben a berendezésen használt jelképek láthatók. A szerszám használata előtt bizonyosodjon meg arról hogy helyesen értelmezi a jelentésüket.



Olvassa el a használati utasítást.



Legyen különösen elővigyázatos és figyelmes.



KETTŐS SZIGETELÉS



Csak EU-tagállamok számára
Az elektromos berendezéseket ne dobja a háztartási szemétkébe! A használt elektromos és elektronikus berendezésekről szóló európai uniós irányelv és annak a nemzeti jogba való átültetése szerint az elhasznált elektromos berendezéseket külön kell gyűjteni, és környezetbarát módon újra kell hasznosítani.



Ne irányítsa emberekre – beleértve saját magát is –, állatokra és áram alatt lévő elektromos berendezésekre.



Ivóvízhálózathoz történő csatlakoztatásra nem alkalmas.

Rendeltetés

Ez a szerszám makacs szennyeződések vízugar segítségével történő letisztítására szolgál. A készülék kizárólag háztartási használatra alkalmas.

Tápfeszültség

A szerszámot kizárólag olyan egyfázisú, váltóáramú hálózatra szabad kötni, amelynek feszültsége meg egyezik az adattábláján szereplő feszültséggel. A szerszám kettős szigetelésű, ezért földelővezeték nélküli aljzatról is működtethető.

A 220 V és 250 V közötti feszültséggel rendelkező, nyilvános kifizetésű áramelosztó rendszerekben való használatra.

Az elektromos berendezések bekapcsolásakor feszültségingadozások léphetnek fel. Ezen készülék üzemeltetése nem megfelelő áramellátási körülmények között kedvezőtlen hatással lehet más berendezések működésére. A 0,25 Ohmmal egyenlő vagy annál kisebb értékű hálózati impedancia esetén feltételezhetően nem lesznek negatív jelenségek. Az ehhez az eszközhöz használt hálózati csatlakozót biztosítékkal vagy lassú kioldási jellemzőkkel rendelkező megszakítóval kell védeni.

Zaj

A tipikus A-súlyozású zajszint, a EN60335-2-79 szerint meghatározva:

HP351 típus

Hangnyomásszint (L_{pA}): 72 dB(A)

Bizonytalanság (K): 3,8 dB(A)

HP401 típus

Hangnyomásszint (L_{pA}): 76 dB(A)

Bizonytalanság (K): 2,4 dB(A)

A zajszint a munkavégzés során meghaladhatja a 80 dB (A) értéket.

FIGYELMEZTETÉS: Viseljen fülvédőt!

Vibráció

A vibráció teljes értéke (háromtengelyű vektorösszeg) az EN60335-2-79 szerint meghatározva:

HP351 típus

Rezgés kibocsátás (a_n): 4,11 m/s²

Bizonytalanság (K): 1,5 m/s²

HP401 típus

Rezgés kibocsátás (a_n): 4,86 m/s²

Bizonytalanság (K): 1,5 m/s²

MEGJEGYZÉS: A rezgés kibocsátás értéke a szabványos vizsgálati eljárásnak megfelelően lett mérve, és segítségével az elektromos kéziszerszámok összehasonlíthatók egymással.

MEGJEGYZÉS: A rezgés kibocsátás értékének segítségével előzetesen megbecsülhető a rezgésnek való kitettség mértéke.

FIGYELMEZTETÉS: A szerszám rezgés kibocsátása egy adott alkalmazásnál eltérhet a megadott értéktől a használat módjától függően.

FIGYELMEZTETÉS: Határozza meg a kezelő védelmét szolgáló munkavédelmi lépéseket, melyek az adott munkafeltételek mellett a vibrációs hatás becsült mértékén alapulnak (figyelembe véve a munkaciklus elemeit, mint például a gép leállításánál és üresjáratánál mennyiségét az elindítások száma mellett).

EK Megfelelőségi nyilatkozat

Csak európai országokra vonatkozóan

Az EK-megfelelőségi nyilatkozat az útmutató „A” mellékletében található.

BIZTONSÁGI FIGYELMEZTETÉS

FIGYELMEZTETÉS: Olvassa el az összes biztonsági figyelmeztetést és utasítást. Ha nem tartja be a figyelmeztetéseket és utasításokat, akkor áramütés, tűz és/vagy súlyos sérülés következhet be.

Őrizzen meg minden figyelmeztetést és utasítást a későbbi tájékozódás érdekében.

A munkaterület biztonsága

1. A működési területtől tartsa távol az embereket.
2. Ne nyúljon túl messzire és ne álljon instabil tárgyakra. Mindig megfelelően stabil helyzetben, és egyensúlya megtartásával dolgozzon.
3. A nagynyomású mosó testét mindig vízszintes és stabil felületre helyezze. Kerülje el azokat a területeket, ahol a kibocsátott víz elfolyik vagy tócsába gyűlik.
4. Tisztítás előtt ellenőrizze a környezetet és a megtisztítandó tárgyakat. A nagynyomású sugár ledörzsölheti a festéket vagy más felületkezelő anyagokat, akár mérgező vegyszereket is. Tegyen megelőző intézkedéseket, ha szükséges.
5. Ügyeljen rá, hogy ne essen el a nagynyomású mosó kábelében vagy tömlőjében. Mindig emlékezzen a kábel és a tömlő elhelyezkedésére működtetés közben.
6. Használat során kis mennyiségű víz folyik ki a nagynyomású mosó aljából. Ne helyezze a nagynyomású mosót olyan területre, amelyet nem szeretne összevizezni.

Személyi biztonság

1. A sugár és a sugár által sodort tárgyak elleni védekezés érdekében a kezelők viseljenek megfelelő ruházatot, például biztonsági lábbelit, védőkesztyűt, védősisakot álarccal, hallásvédelmet stb.
2. Ne használja a nagynyomású mosót emberek közelében, kivéve ha védőruházatot viselnek.
3. A sérülésveszély csökkentése érdekében gondos felügyelet szükséges, amikor a terméket gyermekek közelében használják.
4. A visszafolyásgátlón keresztül folyó víz nem iható minőségű.

Elektromos biztonság

1. Soha ne használja a nagynyomású mosót kültéren esőben.
2. Soha ne érintse meg a hálózati csatlakozót és/vagy csatlakozóaljzatot nedves kézzel.
3. Ne használja a gépet, ha a hálózati kábel vagy a gép fontos részei – például a biztonsági készülékek, nagynyomású tömlők, pisztoly – hibásak.
4. A csatlakozó és a csatlakozóaljzat típusának meg kell egyeznie. Soha, bármilyen módon ne módosítsa a csatlakozót. Ne használjon csatlakozóadapert földelt szerszámokkal. A módosítás nélküli csatlakozó és azzal megegyező típusú aljzat csökkenti az áramütés veszélyét.
5. A nem megfelelő hosszabbítókábelek veszélyesek lehetnek. Ha hosszabbítókábelt használ, annak kültéri használatra alkalmasnak kell lennie, a csatlakozást pedig szárazon kell tartani, és fel kell emelni a földről. Javasolt, hogy ezt egy kábeldob útján valósítsák meg, amely a csatlakozóaljzatot legalább 60 mm-rel a föld fölött tartja.

6. Hosszabbítókábel használata esetén vegye figyelembe a következőket:
 - Csak kültéri használatra szánt hosszabbítókábeleket használjon.
 - Csak olyan hosszabbítókábeleket használjon, amelyek elektromos besorolása megegyezik vagy magasabb, mint a terméké.
 - Ne használjon sérült hosszabbítókábelt.
 - Használat előtt vizsgálja meg a hosszabbítókábeleket, és cserélje ki őket, ha megsérültek.
 - Ne bánjon rendeltetésellenesen a hosszabbítókábelekkel, és ne a kábelnél fogva húzza ki azokat a csatlakozóaljzatból.
 - Tartsa távol a kábelt a hőtől és az éles felületektől.
 - Mindig húzza ki először a hosszabbítókábelt az aljzataból, mielőtt a terméket lecsatlakoztatja a hosszabbítókábeltől.
7. A tápellátás csatlakozóját szakképzett villanyszerelővel kell elkészíttetni, és meg kell felelnie az IEC 60364-1 szabványnak. Javasoljuk, hogy a gép elektromos tápellátásába építsenek be vagy egy érintésvédelmi relét, amely megszakítja a tápellátást, ha a földbe szivárgó áram meghaladja a 30 mA-t 30 ms időtartamig, vagy olyan készüléket, amely ellenőrzi a földelőáramkört.

Elektromos gépek használata és gondozása

1. Olvassa el a teljes útmutatót a termék használata előtt.
2. Legyen tisztában azzal, hogyan kell a nagynyomású mosót és a sűrített levegőt gyorsan kikapcsolni. Ismerje meg alaposan a vezérlőelemeket.
3. A nagynyomású sugarak veszélyesek lehetnek, ha nem megfelelően használják őket. A sugarat nem szabad személyekre, áram alatt lévő elektromos berendezésekre vagy magára a gépre irányítani.
4. A gépet nem használhatják olyan személyek (beleértve a gyerekeket is), akik korlátozott testi, érzékszervi vagy szellemi képességűek, illetve nem rendelkeznek megfelelő tapasztalattal és tudással.
5. Ügyeljen rá, hogy gyermekek ne játszhassanak a géppel.
6. Ne permetezzen gyúlékony és/vagy mérgező folyadékokat. Ez robbanást, mérgezést vagy a gép sérülését okozhatja.
7. Ne irányítsa a sugarat saját magára vagy másokra ruhák vagy lábbelik tisztítása céljából.
8. A nagynyomású tömlők, szerelvények és csatlakozók fontosak a gép biztonságossága szempontjából. Csak a gyártó által ajánlott tömlőket, szerelvényeket és csatlakozókat használjon.
9. Tartsa be az utasításokat a tartozékok cseréje esetén.
10. A fogantyúkat/karokat tartsa szárazon, tisztán, valamint olaj- és zsírmentesen.

11. Maradjon éber – figyeljen oda arra, amit csinál.
12. Ne működtesse a terméket, ha kimerült, illetve alkohol vagy gyógyszerek hatása alatt áll.
13. Ne működtesse a nagynyomású mosót víz nélkül egy percnél hosszabb ideig. Ez károsítja a motort, és hibás működést eredményez.
14. Mindig kapcsolja ki a tápellátást és zárja le a fő vízcsapot, amikor felügyelet nélkül hagyja a nagynyomású mosót.
15. Ügyeljen a visszarúgásra. A pisztoly visszarúg, a pisztoly visszarúg sugár kilövell a fűvókából. Tartsa szilárdan a pisztolyt a véletlen balesetek megelőzése érdekében.
16. Használat előtt ellenőrizze, hogy az alkatrészek nem hibásak és nincsenek elkopva. Szintén ellenőrizze, hogy a tömlő megfelelően van csatlakoztatva, és nem tapasztalható szivárgás használat közben. A működési hibákat mutató gép használata balesethez vezethet.
17. Ezt a gépet a gyártó által biztosított vagy ajánlott tisztítószerezrel együtt történő használatra tervezték. Más tisztítószer vagy vegyszerek használata hátrányosan befolyásolhatja a gép biztonságosságát.
18. A nagynyomású mosó testét ne húzza a kábelnél és/vagy tömlőnél fogva. Emiatt megsérülhet a kábel, a tömlő és a csatlakozóelemek, ami rövidzárlathoz vagy működési hibákhoz vezethet.
19. Ne helyezzen nehéz tárgyakat a tömlőre, és ne engedje, hogy járművel áthajtsanak azon.
20. Mindig eressze ki a maradék nyomást a pisztolyból a tömlő lecsatlakoztatása előtt.
21. Amikor a tömlőt a fő vízvezetékhez csatlakoztatja, vegye figyelembe a helyi vízszolgáltató részleg vagy vállalat utasításait.

Szerviz

1. Kövesse a kézikönyvben leírt utasításokat.
2. A gép biztonságossága érdekében csak a gyártótól származó vagy a gyártó által ajánlott eredeti pótalkatrészeket használjon.
3. A nagynyomású mosó szervizelését kizárólag eredeti cserealkatrészeket használó képzett szerelőre bízva. Ezzel biztosítja hogy a nagynyomású mosó használata biztonságos marad.
4. A nagynyomású mosó meghibásodása vagy rendellenes működése esetén azonnal kapcsolja ki, és húzza ki a csatlakozóaljzataból. Lépjen kapcsolatba a helyi kereskedővel vagy szervizközponttal.

ŐRIZZE MEG EZEKET AZ UTASÍTÁSOKAT.

▲ FIGYELMEZTETÉS: NE HAGYJA, hogy (a termék többszöri használatából eredő) kényelem és megszokás váltsa fel a termék biztonsági előírásainak szigorú betartását.

A HELYTELEN HASZNÁLAT és a használati útmutatóban szereplő biztonsági előírások megszegése súlyos személyi sérülésekhez vezethet.

A MŰKÖDÉS LEÍRÁSA

⚠ VIGYÁZAT: Mielőtt ellenőrzi vagy beállítja, mindig bizonyosodjon meg róla, hogy a szerszámot kikapcsolta és a hálózatról lecsatlakoztatta.

Főkapcsoló

MEGJEGYZÉS: Ne erőltesse a kapcsoló elfordítását. Ez a kapcsoló hibás működését eredményezheti.

A HP351 esetén

► **Ábra1:** 1. KI helyzet 2. BE helyzet

Fordítsa a tápkapcsolót az óra járásával megegyező irányba a nagynyomású mosó bekapcsolásához.

A HP401 esetén

Fordítsa a tápkapcsolót az óra járásával megegyező vagy azzal ellentétes irányba a nyomás szintjétől függően.

Fordítsa a tápkapcsolót az óra járásával megegyező irányba a nagynyomású módba kapcsoláshoz, illetve az óra járásával ellentétes irányba a kisnyomású módba kapcsoláshoz.

► **Ábra2:** 1. Kisnyomású mód 2. KI helyzet
3. Nagynyomású mód

Fúvóka funkciók

Vario-Power permetezőállandzsa

► **Ábra3**

A sugár nyomását a fúvóka elforgatásával lehet beállítani.

⚠ VIGYÁZAT: A sugár nyomásának beállításakor ne forgassa el a fúvókát, miközben a pisztoly felé húzza. A fúvóka leválhat a pisztolyról és személyi sérülést okozhat.

Piszokfúvó

► **Ábra4**

Spirális sugarat bocsát ki. Alkalmos makacs szennyeződés eltávolítására.

MEGJEGYZÉS: Ne használja a piszokfúvót törékeny felületek, például ablakok vagy autókárosszerűk tisztítására.

Habfúvóka

► **Ábra5**

A mosószer habként permetezhető.

A kioldógomb működtetése

Húzza meg a kioldógombot vízszög kibocsátásához. A sugár kibocsátása addig folytatódik, amíg a kioldógombot lenyomva tartják. A kioldógomb rögzíthető a pisztoly biztonságos kezelése érdekében. A kioldógomb rögzítéséhez húzza ki a rögzítőt, és akassza a markolaton lévő horonyba.

► **Ábra6:** 1. Ütköző 2. Horony

MEGJEGYZÉS: A nyomáskapcsoló mechanikus hibájának megelőzése érdekében mindig hagyjon két másodperces időközt a kioldógombbal végzett műveletek között.

Biztonsági szelep

Ez a berendezés biztonsági szeleppel van felszerelve, amely megakadályozza a nem megfelelő túlnyomást. A kioldógomb elengedésekor a szelep kinyílik, a víz pedig kiáramlik a szivattyú bemeneti nyílásán keresztül.

⚠ VIGYÁZAT: Ne bolygassa meg és ne módosítsa a biztonsági szelep beállítását.

Tömlődob

Csak a HP401 esetében

A tömlő lecsévéveléséhez először vegye ki a tömlő végét a csappantyúból. Hajtsa ki a fogantyút és fordítsa el az óra járásának irányába. Mindig teljesen a végéig csévélje le a tömlőt a nagynyomású mosó működtetésekor.

► **Ábra7:** 1. Tömlődob 2. Fogantyú 3. Tömlő vége

A tömlő tárolásakor fordítsa el a fogantyút az óra járásával ellentétesen, és rögzítse a tömlő végét.

► **Ábra8:** 1. Csappantyú 2. Fogantyú

Feltöltés vízzel tartályból/tározóból

Opcionális kiegészítők

A vízellátás tartályból vagy tározóból is biztosítható vízcsap helyett.

A víztömlő csatlakozóját cserélje le a szivótömlőkészletre (opcionális tartozék). A szivótömlőkészlet csatlakoztatásakor csatlakoztassa le a szűrőházat a tömlőről, és csatlakoztassa a nagynyomású mosó bemeneti nyílására. Majd csatlakoztassa a tömlőt a szűrőházhoz.

► **Ábra9:** 1. Tartály/tározó 2. Szivótömlőkészlet
3. Víz-tömlő-csatlakozó 4. Gégecső
5. Szűrőház 6. Bemeneti nyílás a nagynyomású mosón

MEGJEGYZÉS: Mindig a Makita szivótömlőkészletét használja.

MEGJEGYZÉS: Mindig legfeljebb 1,0 m (3,28 ft) vagy kevesebb legyen a magasságkülönbség a nagynyomású mosó bemeneti nyílása és a víz felszíne között. Egyébként a nagynyomású mosó nem tudja felszívni a vizet a szivattyúba.

A víz tömlőbe való bevezetéséhez távolítsa el a fúvókát a pisztolyról, és kapcsolja be a nagynyomású mosót, miközben a kioldógombot nyomva tartja. Amikor a pisztolyból egyenletesen lövell kifelé a víz, engedje el a kioldógombot és csatlakoztassa a kívánt célra szolgáló fúvókát.

► **Ábra10:** 1. Pisztoly

MEGJEGYZÉS: Ha a víz nem jön, csatlakoztassa le a szivótömlőkészletet, és áztassa vízbe. Majd csatlakoztassa újra a nagynyomású mosóhoz.

► **Ábra11:** 1. Szivótömlőkészlet

ÖSSZESZERELÉS

⚠ VIGYÁZAT: Mielőtt bármilyen munkálatot végezne rajta, mindig bizonyosodjon meg arról hogy a szerszámot kikapcsolta és a hálózatról lecsatlakoztatta.

A hordfogatnyű összeszerelése

Csak a HP351 esetében

1. Csatlakoztassa a fogantyú első és hátsó felét a csavarlyukakat a nagynyomású mosó testéhez igazítva.
▶ **Ábra12:** 1. Fogantyú első fele 2. Fogantyú hátsó fele 3. Nagynyomású mosó teste
2. Rögzítse a hordfogatnyűt csavarokkal (7 db).
▶ **Ábra13**

A nagynyomású tömlő csatlakoztatása

Csak a HP351 esetében

Csatlakoztassa a nagynyomású tömlőt a kimeneti nyíláshoz (a pisztoly jelöléssel). Fordítsa el a nagynyomású tömlőn lévő anyát az óra járásának irányába, és csavarja rá a kimeneti nyílás csavarmenetére.
▶ **Ábra14:** 1. Kimeneti nyílás 2. Anya

⚠ VIGYÁZAT: Ellenőrizze, hogy a nagynyomású tömlő biztonságosan csatlakoztatva van. Ha a csatlakozás laza, a nyomás lerobbanthatja a nagynyomású tömlőt, ami személyi sérülést eredményezhet.

A pisztoly csatlakoztatása

Csatlakoztassa a nagynyomású tömlőt a pisztoly bemeneti nyílására. Fordítsa el a nagynyomású tömlőn lévő anyát az óra járásának irányába, és csavarja rá a bemeneti nyílás csavarmenetére.
▶ **Ábra15:** 1. Bemeneti nyílás 2. Anya

⚠ VIGYÁZAT: Ellenőrizze, hogy a nagynyomású tömlő biztonságosan csatlakoztatva van. Ha a csatlakozás laza, a nyomás lerobbanthatja a nagynyomású tömlőt, ami személyi sérülést eredményezhet.

Csatlakoztatás vízcsaphoz

⚠ VIGYÁZAT: Mindig nyomásálló, $\varnothing 13$ mm vagy nagyobb átmérőjű víztömlőt használjon, és a csaphoz megfelelő szerelvényeket használva csatlakoztassa. Ellenkező esetben a víztömlő és/vagy a szerelvény eltörhet és személyi sérülést okozhat.

MEGJEGYZÉS: A használt nyomásálló víztömlő hossza a lehető legrövidebb legyen. A betáplált víz mennyiségének nagyobbak kell lennie a szivattyú maximális betáplálási térfogatánál.

MEGJEGYZÉS: Ha a gépet az ivóvízvezetékhez csatlakoztatja, használjon az Ön régiójában érvényes szabályozásoknak megfelelő visszafolyásgátló szelepet.

Készítsen elő egy nyomásálló víztömlőt. Csatlakoztassa a csatlakozó perselyt az egyik végére, és csatlakoztassa a másik végét a vízcsapra a következőképpen.

1. Távolítsa el az anyát a csatlakozó perselyről, és vezesse keresztül a nyomásálló víztömlőt az anyán. Illesse a tömlő végét a csatlakozó perselybe, majd szorítsa meg az anyát.
▶ **Ábra16:** 1. Nyomásálló víztömlő 2. Csatlakozó persely anyája 3. Csatlakozó persely

MEGJEGYZÉS: Ha a nyomásálló víztömlőt csatlakozó persely segítségével csatlakoztatja a vízcsaphoz, csatlakoztassa azt a tömlő mindkét végéhez.

2. Csatlakoztassa a nyomásálló víztömlőt a vízcsaphoz. Alkalmazzon megfelelő szerelvényt, például tömlőgyűrűt vagy vízcsapösszekötőt a tömlő végének a csaphoz történő csatlakoztatására.
▶ **Ábra17:** 1. Gégecsőgyűrű 2. Vízcsapösszekötő 3. Nyomásálló víztömlő

MEGJEGYZÉS: A szerelvény annak a csapnak az alakjától függ, amelyhez csatlakoztatni szeretne. Készítsen elő egy kereskedelemben forgalmazott megfelelő szerelvényt.

3. Csatlakoztassa a víztömlő csatlakozóját a bemeneti nyíláshoz (a csap jelöléssel), majd illesse be a csatlakozó perselyt.
▶ **Ábra18:** 1. Csatlakozó persely 2. Víztömlő-csatlakozó 3. Bemeneti nyílás

A fúvóka csatlakoztatása/lecsatlakoztatása

⚠ VIGYÁZAT: Mindig reteszelve a kioldógombot, amikor a fúvókát csatlakoztatja/lecsatlakoztatja.

Illesse be a fúvóka végét a pisztolyon lévő nyílásba, és fordítsa el a nyíl irányába az ábrán látható módon. A lecsatlakoztatáshoz fordítsa el a fúvókát az ellenkező irányba, miközben a pisztoly felé nyomja.
▶ **Ábra19:** 1. Pisztoly 2. Nyílás 3. Fúvóka vége

Egyes opcionális fúvókáknak a pisztolyhoz csatlakoztatásához a közdarabra (opcionális tartozék) van szükség. Csatlakoztassa a közdarabot a pisztolyhoz a fúvókához hasonló módon.

- ▶ **Ábra20:** 1. Szívófej 2. Közdarab 3. Pisztoly

MEGJEGYZÉS: A közdarab szükséges, amikor a más modellekhez (HP-350 vagy HP-400) mellékelt fúvókákat kívánják használni.

A habfúvóka csatlakoztatása

▲ VIGYÁZAT: Mindig reteszelve a kioldógombot, amikor a fúvókát csatlakoztatja/lecsatlakoztatja.

Készítse el a mosószert a habfúvóka használata előtt.

1. Távolítsa el a fúvókát a tartályról a fúvókát az óra járásával ellentétes irányba forgatva. Csatlakoztassa a fúvókát a pisztolyhoz.

► **Ábra21:** 1. Szívófej 2. Pisztoly

2. Öntse a mosószert a tartályba, és csatlakoztassa azt a fúvókához.

► **Ábra22:** 1. Tartály

MEGJEGYZÉS: Mindig semleges mosószert használjon. A savas vagy lúgos mosószert károsíthatja a tartályt vagy a fúvókát.

MŰKÖDTETÉS

▲ FIGYELMEZTETÉS: Ne érintse meg a vízszugart, és ne irányítsa azt saját maga vagy mások felé. A vízszugár veszélyes, és sérülést okozhat Önnek vagy másoknak.

▲ FIGYELMEZTETÉS: A vízszugár használata során sohasem tartsa kézben a tisztított tárgyat, és ne tartsa kezét vagy lábát a vízszugár közelébe.

▲ VIGYÁZAT: Figyeljen oda a visszapattanó vízszugárra és az elsodort tárgyakra. Ne vigye közelebb a fúvókát 30 cm-nél .

▲ VIGYÁZAT: Ne működtesse a nagynyomású mosót víz nélkül 1 percnél hosszabb ideig.

▲ VIGYÁZAT: Ne működtesse a nagynyomású mosót hosszú ideig. Ez túlmelegedést vagy tüzet okozhat. A hosszú ideig történő használat vibrációs rendellenességet is okozhat.

▲ VIGYÁZAT: Figyeljen a szélirányra. Ha a mosószert az Ön szemébe vagy szájába jut, öblítse ki azonnal tiszta vízzel, és szükség esetén kérjen orvosi segítséget.

MEGJEGYZÉS: Ne működtesse a nagynyomású mosót 1 óránál hosszabb ideig. 1 óra időtartamig történő használat után tartson ugyanolyan hosszú szünetet.

1. Csatlakoztassa a nagynyomású tömlő végét a pisztolyhoz. A HP351 esetén csatlakoztassa a másik végét a nagynyomású mosóhoz. A HP401 esetén csévélje le a tömlőt teljesen a végéig.

2. Csatlakoztassa a nagynyomású mosót a vízcsaphoz, és nyissa ki a csapot.

► **Ábra23**

MEGJEGYZÉS: A nagynyomású mosó szerkezetének védelme érdekében ne használjon 40°C-nál melegebb vizet.

3. Dugja be a nagynyomású mosót a konnektorba, és kapcsolja be.

► **Ábra24:** 1. Főkapcsoló

4. A vízszugár elindításához oldja ki a rögzítőt és nyomja meg a kioldógombot. A sugár kibocsátása addig folytatódik, amíg a kioldógombot lenyomva tartják.

► **Ábra25:** 1. Ütköző

▲ VIGYÁZAT: Szilárdan tartsa a pisztolyt. A pisztoly visszarúg a kioldógomb meghúzásakor.

▲ VIGYÁZAT: A pisztolyt mindig a markolatánál és a csövénél fogva tartsa tisztítás közben. A motor működése közben ne érintse meg a nagynyomású mosó semmilyen részét a hordfogantyú és a főkapcsoló kivételével.

MEGJEGYZÉS: Ügyeljen arra, hogy ne húzza meg a pisztolyt erőteljesen működés közben. Ellenkező esetben a nagynyomású mosó felborulhat.

Használat után

▲ VIGYÁZAT: Használat után mindig végezze el a jelen kézikönyvben leírt eljárást. A pisztolyban vagy a nagynyomású mosóban fennmaradó nyomás mélyi sérülést okozhat vagy károsíthatja a szivattyú belső részeit.

1. Használat után hagyja bekapcsolva a hálózati kapcsolót.

2. Zárja el a csapot és csatlakoztassa le a víztömlőt a nagynyomású mosóról.

► **Ábra26**

3. Húzza meg a kioldógombot, amíg a nagynyomású mosóban maradt víz kifolyik.

Ne működtesse a motort 1 percnél hosszabb ideig.

► **Ábra27**

4. Kapcsolja ki a nagynyomású mosót, és húzza ki a konnektorból.

► **Ábra28:** 1. Főkapcsoló

5. Csatlakoztassa le a nagynyomású tömlőt a pisztolyról.

► **Ábra29:** 1. Pisztoly 2. Nagynyomású tömlő

A HP351 esetén a nagynyomású tömlőt is csatlakoztassa le a nagynyomású mosóról.

► **Ábra30:** 1. Nagynyomású tömlő

A HP401 esetén csévélje fel a tömlőt, és rögzítse a tömlő végét.

► **Ábra31:** 1. Csappantyú 2. Fogantyú

MEGJEGYZÉS: A nagynyomású tömlő sérülésének elkerülése érdekében engedje ki a benne maradt vizet a tömlőből tárolás előtt.

KARBANTARTÁS ÉS TÁROLÁS

VIGYÁZAT: Mielőtt a vizsgálatához vagy karbantartásához kezdene, mindig bizonyosodjon meg arról hogy a szerszámot kikapcsolta és a hálózatról lecsatlakoztatta.

MEGJEGYZÉS: Soha ne használjon gázolajt, benzint, hígítót, alkoholt vagy hasonló anyagokat. Ezek elszíneződést, alakvesztést vagy repedést okozhatnak.

A fűvóka tisztítása

A tisztítótű segítségével távolítsa el a piszkot a fűvókából, illetve szüntesse meg az elakadást.

► **Ábra32:** 1. Tisztítótű

MEGJEGYZÉS: Ne próbálja erőszakkal eltávolítani a piszkot vagy törmeléket. Ez személyi sérüléshez vagy a kilépőnyílás károsodásához vezethet, ami a sugár irányának eltérülését vagy a teljesítmény romlását eredményezheti.

A szűrő tisztítása

Csatlakoztassa le a víztömlő csatlakozóját, és távolítsa el a piszkot vagy törmeléket a szűrő belsejéből.

► **Ábra33:** 1. Víztömlő-csatlakozó 2. Szűrő
3. Tömítőgyűrű

A szívótömlőkészlet (opcionális tartozék) használatakor vegye ki a szűrőt a szűrőházból, és távolítsa el a piszkot és törmeléket.

► **Ábra34:** 1. Szűrő 2. Szűrőház

MEGJEGYZÉS: Az optimális teljesítmény fenntartása érdekében rendszeresen tisztítsa ki a szűrőt.

Tárolás

Csévélje fel a tömlőt és a kábelt. Tegye a pisztolyt és a fűvókákat a zsebekbe.

HP351

► **Ábra35**

HP401

► **Ábra36**

VIGYÁZAT: Mindig beltéri helyiségben tárolja, ahol a hőmérséklet nem süllyed fagypont alá.

Ha a nagynyomású mosó szétfagy és hibásan működik, javítása céljából lépjen kapcsolatba a helyi szervizközponttal.

VIGYÁZAT: Mindig a hordfogantyút használja a nagynyomású mosó mozgatásakor. Ne hordozza a tömlőnél vagy a kábelnél fogva. Ellenkező esetben a tömlő vagy a kábel megsérülhet.

VIGYÁZAT: Ne hordozza a nagynyomású mosót úgy, hogy a tömlő vagy a kábel le van csévéelve. A hosszú tömlő vagy kábel megsérülhet vagy más tárgyakra gabalyodhat, ami személyi sérüléshez vagy a gép megrongálódásához vezethet.

A termék BIZTONSÁGÁNAK és MEGBIZHATÓSÁGÁNAK fenntartása érdekében a javításokat és más karbantartásokat vagy beállításokat a Makita hivatalos vagy gyári szervizközpontjában kell elvégezni, mindig csak Makita cserealkatrészeket használva.

HIBAEHÉLYZETEK

Mielőtt a szervizhez fordulna, először végezzen saját maga is átvizsgálást. Ha olyan problémát talál, amire a kézikönyv nem tartalmaz magyarázatot, ne próbálja

megszécsnedni az eszközt. Ehelyett kérjen tanácsot a Dolmar hivatalos szervizközpontjától, és javításhoz mindig Dolmar cserealkatrészeket használjon.

Rendellenesség	Lehetséges ok (meghibásodás)	Megoldás
A mosó nem indul be.	Nincs áram	Dugja be a csatlakozót a csatlakozóaljzatba. Ellenőrizze azt is, hogy a csatlakozóaljzat áram alatt áll-e.
	A kapcsoló nincs bekapcsolva.	Kapcsolja be a kapcsolót.
	Maradéknyomás van a szivattyúban	Húzza meg a kioldókapcsolót.
	A kábel vagy az elektromos áramkör sérült	Javítás céljából lépjen kapcsolatba a hivatalos szervizközponttal.
Nincs vízszűrő/gyenge vízszűrő	Nincs vízellátás	Ellenőrizze, hogy a csap ki van nyitva. Ha a szivó-tömlőkészletet használja, juttasson vizet a tömlőbe.
	Gyenge vízellátás	Nyissa ki a csapot.
	Rossz víztömlő-csatlakozás	Ellenőrizze a csatlakozást a víztömlő és a csap, valamint a nagynyomású mosó bemeneti nyílása között.
	Eltömődött tömlő, szűrő vagy fűvóka	Tisztítsa ki a tömlőt, szűrőt vagy fűvókát.
	Levegő akadályozza a víz áramlását.	Kapcsolja ki a kapcsolót, majd kapcsolja be újra, miközben nyomva tartja a kioldógombot.
	Sérült vagy kopott fűvóka	Cserélje ki a fűvókát.
	Szivattyú- vagy szelepműködési hiba	Javítás céljából lépjen kapcsolatba a hivatalos szervizközponttal.
Egyenletlen vízszűrő.	Eltömődött fűvóka	Tisztítsa ki a fűvóka kilépőnyílását a tisztítóúvelel.
	Nem megfelelően szívja a vizet	Ellenőrizze a víztömlőt a csaptól indulva, hogy nincs-e szivárgás vagy elakadás. Nyissa ki a csapot.
	A víz túl forró.	Tápláljon be hidegebb vizet.
	Szelepműködési hiba	Javítás céljából lépjen kapcsolatba a hivatalos szervizközponttal.
Nem normális hang.	A víz túl forró.	Tápláljon be hidegebb vizet.
	Levegő akadt el a szivattyúban.	Javítás céljából lépjen kapcsolatba a hivatalos szervizközponttal.
Víz-/olajszivárgás.	Rossz csatlakozás	Ellenőrizze a csatlakozást a nagynyomású tömlő és a pisztoly és a nagynyomású mosó között.
	Elkopott tömítések	Javítás céljából lépjen kapcsolatba a hivatalos szervizközponttal.
A szivattyú nem működik, pedig még a motor hangja is hallatszik.	Nem megfelelő hosszabbítókábel.	Használjon a termék besorolásának megfelelő hosszabbítókábelt.

OPCIONÁLIS KIEGÉSZÍTŐK

⚠ VIGYÁZAT: Ezen kiegészítők és tartozékok használata javasolt a Dolmar szerszámmal a kézikönyvben megadott módon. Bármilyen más kiegészítő vagy tartozék használata a személyi sérülés kockázatával jár. A kiegészítőt vagy tartozékokat csak rendeltetészerűen használja.

Ha bármilyen segítségre vagy további információkra van szüksége ezekkel a tartozékokkal kapcsolatban, keresse fel a helyi Dolmar szervizközpontot.

MEGJEGYZÉS: A listán felsorolt néhány kiegészítő megtalálható az eszköz csomagolásában standard kiegészítőként. Ezek országonként eltérőek lehetnek.

Permetezőlándzsa

► **Ábra37**

A sugár szélességét 0° és 25° között lehet változtatni a fúvóka elülső végének elforgatásával.

⚠ VIGYÁZAT: A sugár szélességének beállításakor ne forgassa el a fúvókát, miközben a pisztoly felé húzza. A fúvóka leválhat a pisztolyról és személyi sérülést okozhat.

Mosókefe (hosszú)

► **Ábra38**

Kefével felszerelt fúvóka. Hasznos a piszok letakarítására kefével történő dörzsölés közben.

Szívótömlőkészlet

► **Ábra39**

Cserélje le a víztömlőt erre a készletre, ha tartályból vagy tározóból szeretné a vízellátást biztosítani.

Forgó mosókefe

► **Ábra40**

Belül három kefe forog lassan a sugár kibocsátása közben. Alkalmas enyhébb szennyeződés eltávolítására külső falról, autókarroszérieről, fürdőkádrol stb.

Lándzsahosszabbító

► **Ábra41**

Csővek a pisztoly hosszának megnövelésére. Három különböző hosszúság áll rendelkezésre a használandó csövek számának megváltoztatásával.

Test alatti permetezőlándzsa

► **Ábra42**

Extra hosszú permetezőlándzsa meghajlított fúvókával. Legjobb választás a nehezen hozzáférhető helyek – például autóalváz és a tetőn lévő ereszcatorna – tisztítására.

⚠ VIGYÁZAT: Ne használja a test alatti permetezőlándzsát a lándzsahosszabbítóval.

Fröccsenésvédő

► **Ábra43**

Csökkenti a visszafroccsenés mértékét a sarkok piszok-fúvóval történő tisztítása során.

Forgó csatlakozó

► **Ábra44**

Megakadályozza a nagynyomású tömlő megcsavarodását.

Közdarab

► **Ábra45**

Egy csatlakozó más modellből származó fúvóka csatlakoztatásához.

MEGJEGYZÉS: A közdarab szükséges, amikor a más modellekhez (HP-350 vagy HP-400) mellékelt fúvókákat kívánják használni.

Csőtisztító készlet (10 m/15 m)

► **Ábra46**

Csővezetékek és ejtőcsövek tisztítására és elakadásának megszüntetésére.

⚠ VIGYÁZAT: Különösen figyeljen oda a vízszugárra, amikor a csőtisztító készletet használja. Rendkívül erős vízszugár lövell ki hátrafelé.

Nagynyomású hosszabbítótömlő (5 m/8 m/10 m)

► **Ábra47**

Hosszabbítótömlő a nagynyomású mosó testének a pisztolyhoz történő csatlakoztatására.

VAROVANIE

- Zariadenia nesmú používať deti. V prípade detí treba dohliadať na to, aby sa so zariadením nehrali.
- Toto zariadenie nie je určené na používanie osobami, vrátane detí, so zníženými fyzickými, zmyslovými alebo duševnými schopnosťami ani osobami s nedostatočnými skúsenosťami a znalosťami.
- Zariadenie je určené na používanie spolu s dodávaným čistiacim prostriedkom alebo s prostriedkom odporúčaným výrobcom. Použitie iných čistiacich prostriedkov alebo chemických látok môže mať negatívny vplyv na bezpečnosť zariadenia.
- V prípade nesprávneho používania môžu byť prúdy vody pod vysokým tlakom nebezpečné. Prúdom vody sa nesmie mieriť na osoby, elektrické vybavenie pod prúdom ani na samotné zariadenie.
- Zariadenie nepoužívajte, pokiaľ osoby v okolí nemajú na sebe ochranný odev.
- Prúdom vody nemierte na seba ani na iných s cieľom očistiť odev či obuv.
- Nebezpečenstvo výbuchu – nerozstrekujte horľavé kvapaliny.
- Vysokotlakové čističe nesmú používať deti ani odborne nespôsobilé osoby.
- Vysokotlakové hadice, spojovacie prvky a spojky sú dôležité pre bezpečnosť zariadenia. Používajte len hadice, spojovacie prvky a spojky odporúčané výrobcom.
- Na zaistenie bezpečnosti zariadenia používajte len originálne náhradné diely od výrobcu alebo schválené výrobcom.
- Skôr, než začnete na nástroji robiť akékoľvek práce, vždy sa predtým presvedčte, že je vypnutý a vytiahnutý zo zásuvky.
- Zariadenie nepoužívajte, ak je poškodený napájací kábel alebo dôležité súčasti zariadenia, napr. bezpečnostné zariadenia, vysokotlakové hadice, pištoľ so spúšťou.
- Nevhodné predlžovacie káble môžu predstavovať nebezpečenstvo. V prípade použitia predlžovacieho kábla má byť kábel vhodný na použitie v exteriéri a spojka má byť suchá a nesmie sa dotýkať zeme. Odporúča sa použiť cievku na kábel, ktorá zásuvku udrží minimálne 60 mm nad zemou.

- Keď nechávate zariadenie bez dozoru, vždy vypnite odpájací spínač napájania.
- Vyhovuje Riadťe sa požiadavkami miestneho dodávateľa vody.
- Pre európske krajiny:
Podľa normy EN12729 (BA) môže byť zariadenie pripojené k vodovodu v prípade, že je na prívodnej hadici namontovaný ventil zabraňujúci spätnému toku a odtokový systém.

TECHNICKÉ ŠPECIFIKÁCIE

Model:		HP351	HP401
Max. prietok na vstupe		7,0 l/min	7,5 l/min
Prietok vody		5,5 l/min	6,0 l/min
Max. povolený tlak		12 MPa (120 bar)	13 MPa (130 bar)
Prevádzkový tlak	Režim vysokého tlaku	10 MPa (100 bar)	11 MPa (110 bar)
	Režim nízkeho tlaku	-	8 MPa (80 bar)
Max. tlak na vstupe		1 MPa (10 bar)	
Max. teplota na vstupe		40 °C	
Max. výška nasávania		1,0 m	
Rozmery (D x Š x V)		292 mm x 358 mm x 830 mm	
Hmotnosť		11,0 kg	12,7 kg
Ochrana motora		IPX5	

- Vzhľadom na neustály výskum a vývoj podliehajú technické údaje uvedené v tomto dokumente zmenám bez upozornenia.
- Technické údaje sa môžu pre rôzne krajiny líšiť.
- Hmotnosť podľa postupu EPTA 01/2003

Symbols

Nižšie sú uvedené symboly, s ktorými sa môžete stretnúť pri použití nástroja. Je dôležité, aby ste poznali ich význam, skôr než začnete pracovať.



Prečítajte si návod na obsluhu.



Práci venujte veľkú pozornosť a dávajte pozor.



DVOJITÁ IZOLÁCIA



Len pre štáty EÚ
Nevyhádzajte elektrické zariadenia do komunálneho odpadu! Podľa európskej smernice o nakladaní s použitými elektrickými a elektronickými zariadeniami a zodpovedajúcich ustanovení právnych predpisov jednotlivých krajín je nutné elektrické zariadenia po skončení ich životnosti triediť a odovzdať na zberné miesto vykonávajúce environmentálne kompatibilné recyklovanie.



Prúdom vody nemierte na iné osoby ani na seba, na zvieratá, či na elektrické zariadenia pod napätím.



Nevhodné na pripojenie k prenosným zdrojom vody.

Určené použitie

Toto zariadenie je určené na čistenie odolných nečistôt prúdom vody. Toto zariadenie je určené na použitie v domácnosti.

Napájanie

Nástroj sa môže pripojiť len k zodpovedajúcemu zdroju s napätím rovnakým, aké je uvedené na typovom štítku, a môže pracovať len s jednofázovým striedavým napätím. Nástroj je vybavený dvojitou izoláciou, a preto sa môže používať pri zapojení do zásuviek bez uzemňovacieho vodiča.

Pre verejné nízkonapäťové rozvodné systémy s napätím 220 V až 250 V

Prepínanie elektrického zariadenia spôsobuje kolísanie napätia. Prevádzka tohto zariadenia za nepriaznivých podmienok v sieti môže mať nepriaznivý vplyv na prevádzku iných zariadení. Pri impedancii siete rovnjej alebo nižšej než 0,25 ohmov možno predpokladať, že nenastanú žiadne negatívne účinky. Sieťová zástrčka použitá pre toto zariadenie musí byť chránená poisťou alebo ochranným ističom s pomalými charakteristikami vypínania.

Hluk

Typická hladina akustického tlaku zátáže A určená podľa štandardu EN60335-2-79:

Model HP351

Úroveň akustického tlaku (L_{pA}): 72 dB (A)
Odchýlka (K): 3,8 dB (A)

Model HP401

Úroveň akustického tlaku (L_{pA}): 76 dB (A)
Odchýlka (K): 2,4 dB (A)

Úroveň hluku pri práci môže prekročiť 80 dB (A).

VAROVANIE: Používajte ochranu sluchu.

Vibrácie

Celková hodnota vibrácií (trojosový vektorový súčet) určená podľa štandardu EN60335-2-79:

Model HP351

Emisie vibrácií (a_n): 4,11 m/s²
Odchýlka (K): 1,5 m/s²

Model HP401

Emisie vibrácií (a_n): 4,86 m/s²
Odchýlka (K): 1,5 m/s²

POZNÁMKA: Deklarovaná hodnota emisií vibrácií bola meraná podľa štandardnej skúšobnej metódy a môže sa použiť na porovnanie jedného nástroja s druhým.

POZNÁMKA: Deklarovaná hodnota emisií vibrácií sa môže použiť aj na predbežné posúdenie vystavenia ich účinkom.

VAROVANIE: Emisie vibrácií počas skutočného používania elektrického nástroja sa môžu odlišovať od deklarovanej hodnoty emisií vibrácií, a to v závislosti od spôsobov používania náradia.

VAROVANIE: Nezabudnite označiť bezpečnostné opatrenia s cieľom chrániť obsluhu, a to tie, ktoré sa zakladajú na odhade vystavenia účinkom v rámci reálnych podmienok používania (berúc do úvahy všetky súčasti prevádzkového cyklu, ako sú doby, kedy je nástroj vypnutý a kedy beží bez zaťaženia, ako dodatok k dobe zapnutia).

Vyhľadanie o zhode ES

Len pre krajinu Európy

Vyhľadanie o zhode ES sa nachádza v prílohe A tohto návodu na obsluhu.

BEZPEČNOSTNÉ VAROVANIA

VAROVANIE: Prečítajte si všetky bezpečnostné výstrahy a pokyny. Nedodržanie výstrah a pokynov môže mať za následok zasiahnutie elektrickým prúdom, požiar alebo vážne zranenie.

Všetky výstrahy a pokyny si odložte pre prípad potreby v budúcnosti.

Bezpečnosť pracoviska

1. Zaisťte, aby sa v oblasti používania nenachádzali žiadne osoby.
2. Príliš sa nenakláňajte ani nestojte na nestabilnom podklade. Vždy udržiavajte správny postoj a rovnováhu.
3. Samotný vysokotlakový čistič vždy umiestnite na rovný a stabilný povrch. Vyhybajte sa plochám, ktorými bude pretekať alebo na ktorých sa bude hromadiť voda.
4. Pred čistením skontrolujte okolie a predmety, ktoré chcete vyčistiť. Prúdy vody pod vysokým tlakom môžu odstrániť farbu alebo inú povrchovú úpravu vrátane toxických chemických látok. V prípade potreby prijmite preventívne opatrenia.
5. Dbajte na to, aby ste sa nepotkli o šnúru ani o hadicu vysokotlakového čističa. Počas používania vždy poznajte konfiguráciu šnúry a hadice.
6. Pri používaní sa zo spodnej časti vysokotlakového čističa uvoľní malé množstvo vody. Vysokotlakový čistič neumiestňujte na miesta, ktoré sa nemôžu zamočiť.

Bezpečnosť osôb

1. Na ochranu pred prúdom vody a predmetmi v prúde musia mať používatelia obsluhujúci zariadenie vhodný odev, napr. ochrannú obuv, ochranné rukavice, ochranné prilby so štítom, chrániče sluchu atď.
2. Vysokotlakový čistič nepoužívajte, pokiaľ osoby v okolí nemajú na sebe ochranný odev.
3. V prípade, že sa produkt používa v blízkosti detí, vyžaduje sa dôsledný dohľad, aby sa znížilo riziko zranenia.
4. Voda vytekajúca zo zariadenia na zabránenie spätnému toku sa považuje za nepitnú.

Elektrická bezpečnosť

1. Vysokotlakový čistič nikdy nepoužívajte v exteriéri za dažďa.
2. Sieťovej zástrčky a/alebo zásuvky sa nikdy nedotýkajte mokrymi rukami.
3. Zariadenie nepoužívajte, ak je poškodený napájací kábel alebo dôležité súčasti zariadenia, napr. bezpečnostné zariadenia, vysokotlakové hadice alebo pištoľ so spúšťou.
4. Zástrčka sa musí zhodovať so zásuvkou. Zástrčku nikdy žiadnym spôsobom neupravujte. Pri použití uzemnených nástrojov nepoužívajte žiadny adaptér. Neupravená zástrčka a príslušná zásuvka znižujú nebezpečenstvo úrazu elektrickým prúdom.

5. Nevhodné predĺžovacie káble môžu predstavovať nebezpečenstvo. V prípade použitia predĺžovacieho kábla má byť kábel vhodný na použitie v exteriéri a spojka má byť suchá a nesmie sa dotýkať zeme. Odporúča sa použiť cievku na kábel, ktorá zásuvku udrží minimálne 60 mm nad zemou.
6. Pri používaní predĺžovacích káblov dodržajte nasledujúce pokyny:
 - Používajte len predĺžovacie káble určené na použitie v exteriéri.
 - Používajte len predĺžovacie káble s menovitou hodnotou elektrického prúdu, ktorá sa rovná alebo je vyššia než menovitá hodnota elektrického prúdu produktu.
 - Nepoužívajte poškodené predĺžovacie káble.
 - Pred použitím skontrolujte, či predĺžovacie káble nie sú poškodené.
 - Predĺžovacie káble nepoužívajte nesprávnym spôsobom, pri odpájaní nimi netrhajte.
 - Napájacie káble chráňte pred účinkami tepla, vody a pred ostrými hranami.
 - Pred odpájaním produktu od predĺžovacieho kábla vždy najprv odpojte predĺžovací kábel zo zásuvky.
7. Pripojenie prívodu elektronického prúdu musí vykonať odborne spôsobilý elektrikár a musí byť v súlade s normou IEC 60364-1. Odporúča sa, aby bol prívod elektrického prúdu do tohto zariadenia vybavený prúdovým chráničom, ktorý preruší napájanie v prípade, že únik prúdu voči zemi presiahne hodnotu 30 mA počas 30 ms, alebo chráničom okruhu ukostenia.
8. Rukoväte udržiavajte suché, čisté, bez znečistenia olejom alebo mazivom.
9. Venujte pozornosť tomu, čo robíte.
10. Produkt nepoužívajte, keď ste unavení alebo ste pod vplyvom alkoholu alebo liekov.
11. Vysokotlakový čistič nepoužívajte bez vody dlhšie než jednu minútu. Spôsobiloby to poškodenie motora a následný poruchu.
12. Keď chcete nechať tlakový čistič bez dozoru, vždy vypnite napájanie a uzavrite prívod vody.
13. Dávajte pozor na spätný náraz. Pištoľou so spúšťou trhne spätný náraz, keď prúd vody pri vysokom tlaku vystrekne z dýzy. Pištoľ so spúšťou držte pevne, aby ste zabránili náhodným zraneniam.
14. Pred použitím skontrolujte, či diely nie sú poškodené alebo opotrebované. Okrem toho sa presvedčte, či je hadica riadne pripojená a počas používania nepresakuje. Použitie poruchového zariadenia môže spôsobiť nehodu.
15. Zariadenie je určené na používanie spolu s dodávaným čistiacim prostriedkom alebo s prostriedkom odporúčaným výrobcom. Použitie iných čistiacich prostriedkov alebo chemických látok môže mať negatívny vplyv na bezpečnosť zariadenia.
16. Neťahajte za kábel ani za hadicu pri presúvaní telesa vysokotlakového čističa. Kábel, hadica a spojovacie časti by sa poškodili a hrozil by skrat či rôzne poruchy.
17. Na hadicu nekladte ťažké predmety ani po nej neprechádzajte vozidlami.
18. Skôr, než odpojíte hadicu, vždy uvoľnite zvyškový tlak nahromadený v pištoľi so spúšťou.
19. Pri pripájaní hadice k prívodu vody dodržajte pokyny miestnej vodárenskej spoločnosti.

Používanie a starostlivosť o elektrický nástroj

1. Pred používaním tohto produktu si prečítajte všetky pokyny.
2. Oboznámte sa s tým, ako zastaviť vysokotlakový čistič a rýchlo uvoľniť tlak. Dôkladne sa oboznámte s ovládacími prvkami.
3. Prúdy vody pod vysokým tlakom môžu byť v prípade nesprávneho používania nebezpečné. Prúdom vody sa nesmie mieriť na osoby, elektrické vybavenie pod prúdom ani na samotné zariadenie.
4. Toto zariadenie nie je určené na používanie osobami, vrátane detí, so zníženými fyzickými, zmyslovými alebo duševnými schopnosťami ani osobami s nedostatočnými skúsenosťami a znalosťami.
5. V prípade detí je treba dohliadať na to, aby sa s náradím nehrali.
6. Nerozstrekujte horľavé ani toxické kvapaliny. Mohlo by to spôsobiť výbuch, intoxikáciu alebo poškodenie zariadenia.
7. Prúdom vody nemierte na seba ani na iných s cieľom očistiť odev či obuv.
8. Vysokotlakové hadice, spojovacie prvky a spojky sú dôležité pre bezpečnosť zariadenia. Používajte len hadice, spojovacie prvky a spojky odporúčané výrobcom.
9. Príslušenstvo vymieňajte podľa pokynov.

Servis

1. Dodržujte pokyny údržby uvedené v návode na obsluhu.
2. Na zaistenie bezpečnosti zariadenia používajte len originálne náhradné diely od výrobcu alebo schválené výrobcom.
3. Servis vysokotlakového čističa nechajte vykonať kvalifikovanému pracovníkovi s použitím výhradne identických náhradných dielov. Tým zaistíte zachovanie bezpečnosti vysokotlakového čističa.
4. V prípade poruchy alebo zlyhania vysokotlakového čističa, zariadenie okamžite vypnite a odpojte od siete. Spojte sa s miestnym predajcom alebo servisným strediskom.

TIETO POKYNY USCHOVAJTE.

VAROVANIE: NIKDY nepripustíte, aby seba-vedomie a dobrá znalosť výrobku (získané opakovaným používaním) nahradili presné dodržiavanie bezpečnostných pravidiel pre náradie.

NESPRÁVNE POUŽÍVANIE alebo nedodržiavanie bezpečnostných zásad uvedených v tomto návode môže viesť k vážnemu zraneniu.

OPIS FUNKCIÍ

⚠ POZOR: Pred nastavením nástroja alebo kontrolou jeho funkcie sa vždy presvedčte, že je vypnutý a vytiahnutý zo zásuvky.

Hlavný sieťový vypínač

UPOZORNENIE: Hlavný sieťový vypínač neotáčajte silou. Môže to spôsobiť zlyhanie vypínača.

Pre model HP351

► Obr.1: 1. Poloha OFF (VYPNUTÉ) 2. Poloha ON (ZAPNUTÉ)

Vysokotlakový čistič zapnete otočením hlavného vypínača v smere hodinových ručičiek.

Pre model HP401

Vysokotlakový čistič zapnete otočením hlavného vypínača v smere alebo proti smeru hodinových ručičiek v závislosti od úrovne tlaku. Otočením hlavného vypínača v smere hodinových ručičiek aktivujete vysokotlakový režim, otočením proti smeru hodinových ručičiek aktivujete nízkotlakový režim.

► Obr.2: 1. Nízkotlakový režim 2. Poloha OFF (VYPNUTÉ) 3. Vysokotlakový režim

Funkcie dýzy

Striekací nastaviteľ Vario-Power

► Obr.3

Tlak prúdu vody možno nastaviť otáčaním dýzy.

⚠ POZOR: Pri nastavovaní tlaku prúdu vody dýzy pri otáčaní netlačte smerom k pištoľi so spúšťou. Dýza sa môže z pištole so spúšťou uvoľniť a spôsobiť zranenie osôb.

Rotačná tryska

► Obr.4

Vytvára špirálovitý prúd vody. Vhodná na odstraňovanie odolných nečistôt.

UPOZORNENIE: Rotačnú trysku nepoužívajte na čistenie krehkých povrchov, akými sú okná či karosérie vozidiel.

Penová dýza

► Obr.5

Čistiaci prostriedok možno rozstrekať vo forme peny.

Funkcie spúšte

Stlačením spúšte vystreknete prúd vody. Prúd vody strieka, kým je stlačená spúšť.

Spúšť možno zaistiť, aby sa zaistila bezpečnosť pri manipulácii s pištoľou so spúšťou. Ak chcete zaistiť spúšť, vytiahnite zarážku a zaistíte ju o drážku na rukoväti.

► Obr.6: 1. Zarážka 2. Drážka

UPOZORNENIE: Spúšť stláčajte v minimálne dvojsekundových intervaloch, aby ste zabránili mechanickej poruche tlakového spinača.

Poistný ventil

Toto zariadenie je vybavené poistným ventilom, ktorý zabráni neprimeranému nárastu tlaku. Po uvoľnení spúšte sa ventil otvorí a voda začne znova cirkulovať vstupom čerpadla.

⚠ POZOR: Poistný ventil neupravujte ani nemeňte jeho nastavenie.

Cievka s hadicou

Len pre model HP401

Ak chcete hadicu rozvinúť, najprv vyberte koniec hadice z úchyty. Odsklopte rukoväť a otáčajte ňou v smere hodinových ručičiek. Pri používaní vysokotlakového čističa hadicu vždy úplne rozviňte až dokonca.

► Obr.7: 1. Cievka s hadicou 2. Rukoväť 3. Koniec hadice

Pri odkladaní hadice otáčajte rukoväťou proti smeru hodinových ručičiek a koniec hadice upevnite.

► Obr.8: 1. Úchyt 2. Rukoväť

Napájanie vodou z nádrže alebo zásobníka

Voliteľné príslušenstvo

Okrem vody z vodovodu môžete využívať aj vodu z nádrže alebo zásobníka.

Prípojku hadice nahradíte súpravou nasávacej hadice (voliteľné príslušenstvo). Pri pripájaní súpravy nasávacej hadice odpojte puzdro filtra z hadice a pripojte ju k vstupu vysokotlakového čističa. Potom pripojte hadicu k puzdru filtra.

► Obr.9: 1. Nádrž/zásobník 2. Súprava nasávacej hadice 3. Prípojka hadice na vodu 4. Hadica 5. Puzdro filtra 6. Vstup vysokotlakového čističa

UPOZORNENIE: Vždy používajte súpravu nasávacej hadice od spoločnosti Makita.

UPOZORNENIE: Vždy zachovávajte výšku maximálne 1,0 m (3,28 ft) medzi vstupom vysokotlakového čističa a hladinou vody. Inak čerpadlo vysokotlakového čističa nedokáže nasávať vodu.

Demontujte dýzu z pištole so spúšťou, zapnite vysokotlakový čistič a súčasne držte stlačenú spúšť, aby ste nasali vodu do hadice. Len čo z pištole so spúšťou začne stabilne striekať voda, uvoľníte spúšť a pripojte dýzu podľa plánovaného použitia.

► Obr.10: 1. Pištoľ so spúšťou

POZNÁMKA: Keď voda nestrieka, odpojte súpravu nasávacej hadice a ponorte ju do vody. Potom znova pripojte vysokotlakový čistič.

► Obr.11: 1. Súprava nasávacej hadice

ZOSTAVENIE

⚠ POZOR: Skôr než začnete na nástroji robiť akékoľvek práce, vždy sa predtým presvedčte, že je vypnutý a vytiahnutý zo zásuvky.

Montáž prenosnej rukoväte

Len pre model HP351

1. Prepojte prednú a zadnú polovicu rukoväti zarovnaním otvorov na skrutky telesa vysokotlakového čističa.
► **Obr.12:** 1. Predná polovica rukoväti 2. Zadná polovica rukoväti 3. Teleso vysokotlakového čističa
2. Rukoväť na prenášanie zaistíte skrutkami (7 ks).
► **Obr.13**

Prípojenie vysokotlakovej hadice

Len pre model HP351

Prípojte vysokotlakovú hadicu k vývodu (so značkou pištole). Maticu vysokotlakovej hadice naskrutkujte na závit vývodu jej otáčaním v smere hodinových ručičiek.
► **Obr.14:** 1. Vývod 2. Matica

⚠ POZOR: Skontrolujte, či je vysokotlaková hadica bezpečne pripojená. Voľné spojenie môže spôsobiť vytrhnutie vysokotlakovej hadice a zapríčiniť zranenie osôb.

Prípojenie pištole so spúšťou

Prípojte vysokotlakovú hadicu k prívodu pištole so spúšťou. Maticu vysokotlakovej hadice naskrutkujte na závit prívodu jej otáčaním v smere hodinových ručičiek.
► **Obr.15:** 1. Prívod 2. Matica

⚠ POZOR: Skontrolujte, či je vysokotlaková hadica bezpečne pripojená. Voľné spojenie môže spôsobiť vytrhnutie vysokotlakovej hadice a zapríčiniť zranenie osôb.

Prípojenie k vodovodu

⚠ POZOR: Vždy používajte tlakovú hadicu na vodu s veľkosťou $\varnothing 13$ mm alebo väčším priemerom a pripojte ju k uzáveru vody pomocou vhodných spojovacích prvkov. Inak by sa hadica na vodu alebo spojovacie prvky mohli porušiť a spôsobiť zranenie osôb.

UPOZORNENIE: Používajte čo najkrajšiu tlakovú hadicu na vodu. Množstvo nasávanej vody musí byť väčšie než maximálny prietok na vstupe čerpadla.

UPOZORNENIE: Ak zariadenie pripájate k rozvodu pitnej vody, použite ventil na zabránenie spätnému toku spĺňajúci predpisy vo vašom regióne.

Prípravte tlakovú hadicu na vodu. Pripájaciu objímku pripojte k jednému koncu a druhý koniec pripojte k prívodu vody nasledujúcim spôsobom:

1. Demontujte maticu pripájacej objímky a maticou prestreťte tlakovú hadicu na vodu. Koniec hadice vložte do pripájacej objímky a utiahnite maticu.

► **Obr.16:** 1. Tlaková hadica na vodu 2. Matica pripájacej objímky 3. Pripájacia objímka

POZNÁMKA: Ak tlakovú hadicu na vodu pripojíte k prívodu vody pomocou pripájacej objímky, pripojte ju k obidvom koncom hadice.

2. Tlakovú hadicu na vodu pripojte k prívodu vody. Na pevné pripojenie konca hadice k prívodu vody použite vhodný spojovací prvok, napríklad pásik na upevnenie hadice alebo hadicovú prípojku na vodovodný kohútik.

► **Obr.17:** 1. Pásik na upevnenie hadice 2. Hadicová prípojka na vodovodný kohútik 3. Tlaková hadica na vodu

POZNÁMKA: Výber spojovacieho prvku závisí od kohútika, ku ktorému sa pripájate. Pripravte si vhodný samostatne zakúpený spojovací prvok.

3. Prípojku hadice na vodu pripojte k prívodu (s označením vodovodného kohútika) a potom založte pripájaciu objímku.

► **Obr.18:** 1. Pripájacia objímka 2. Prípojka hadice na vodu 3. Prívod

Prípojenie/odpojenie dýzy

⚠ POZOR: Pri pripájaní/odpájaní dýzy vždy zaistite spúšť.

Vložte koncovku dýzy do výrezu pištole so spúšťou a otočte ju v smere šípky podľa zobrazenia na obrázku. Pri odpájaní otočte dýzu opačným smerom a súčasne zatlačte smerom k pištoľi so spúšťou.

► **Obr.19:** 1. Pištoľ so spúšťou 2. Výrez 3. Koncovka dýzy

Niektoré dýzy si vyžadujú spojovaciu prípojku (voliteľné príslušenstvo) na prípojenie pištole so spúšťou. Spojovaciu prípojku pripojte k pištoľi so spúšťou rovnako ako dýzu.

► **Obr.20:** 1. Dýza 2. Spojovacia prípojka 3. Pištoľ so spúšťou

POZNÁMKA: Spojovacia prípojka sa vyžaduje pri použití trysiek dodávaných k inému modelu – HP-350 alebo HP-400.

Prípojenie penovej dýzy

⚠ POZOR: Pri pripájaní/odpájaní dýzy vždy zaistite spúšť.

Pred použitím penovej dýzy si pripravte čistiaci prostriedok.

1. Otáčaním dýzy proti smeru hodinových ručičiek ju demontujte z nádržky. Dýzu pripojte k pištoľi so spúšťou.

► **Obr.21:** 1. Dýza 2. Pištoľ so spúšťou

2. Do nádržky nalejte čistiaci prostriedok a nádržku nasadte na dýzu.

► **Obr.22:** 1. Nádržka

UPOZORNENIE: Vždy používajte čistiaci prostriedok s neutrálnym pH. Kyslý alebo zásaditý čistiaci prostriedok môže poškodiť nádržku alebo dýzu.

PREVÁDZKA

VAROVANIE: Prúdu vody sa nedotýkajte ani ním nesmerujte na seba či na iných. Prúd vody je nebezpečný a môže zraniť vás alebo iné osoby.

VAROVANIE: Pri striekaní prúdu vody nikdy nedržte predmet, ktorý čistíte, ani nemajte ruky či nohy v blízkosti prúdu vody.

POZOR: Dávajte pozor na odrazený prúd vody a odťuknuté predmety. Dýzou sa k predmetu nepribližujte na menej než na 30 cm.

POZOR: Vysokotlakový čistič nepoužívajte bez vody dlhšie než 1 minútu.

POZOR: Vysokotlakový čistič nepoužívajte dlhodobo. Môže to spôsobiť jeho prehriatie a vznietenie. Dlhodobé používanie môže spôsobiť aj nadmerné vibrácie.

POZOR: Sledujte smer vetra. Ak sa vám čistiaci prostriedok dostane do očí alebo do úst, vypláchnite si ich okamžite čistou vodou a v prípade potreby vyhľadajte zdravotnícku pomoc.

UPOZORNENIE: Vysokotlakový čistič nepoužívajte dlhšie než 1 hodinu. Po 1 hodine používania si urobte rovnako dlhú prestávku.

1. Pripojte koniec vysokotlakovej hadice k pištoľi so spúšťou. V prípade modelu HP351 pripojte druhý koniec k vysokotlakovému čističu. V prípade modelu HP401 rozviňte celú hadicu až do konca.
2. Vysokotlakový čistič pripojte k vodovodnému kohútiku a potom otvorte prívod vody.
► Obr.23

UPOZORNENIE: Na ochránenie mechanizmu vysokotlakového čističa nepoužívajte vodu s teplotou prevyšujúcou 40 °C.

3. Vysokotlakový čistič pripojte k sieti a zapnite ho.
► Obr.24: 1. Hlavný sieťový vypínač
4. Uvoľnite zárazku a stlačením spúšte vystreknite prúd vody. Prúd vody strieka, kým je stlačená spúšť.
► Obr.25: 1. Zárazka

POZOR: Spúšť pištole držte pevne. Pri stlačení spúšte pištole dôjde k spätnému nárazu.

POZOR: Pri čistení vždy držte pištoľ so spúšťou za rukoväť a hlavuň. Pokiaľ je motor v chode, nedotýkajte sa žiadnej časti tela vysokotlakového čističa s výnimkou rukoväti na prenášanie a hlavného vypínača.

UPOZORNENIE: Dbajte na to, aby ste počas používania silno nestlačali spúšť. Môže to spôsobiť prevrátenie vysokotlakového čističa.

Po použití

POZOR: Po použití vždy vykonajte postup opísaný v tomto návode. Zostatkový tlak v pištoľi so spúšťou alebo vysokotlakovom čističi môže spôsobiť zranenie osôb alebo poškodenie vnútorného čerpadla.

1. Po použití nechajte hlavný vypínač zapnutý.
2. Zatvorte vodovodný kohútik a odpojte hadicu na vodu od vysokotlakového čističa.
► Obr.26
3. Stlačte spúšť a držte ju stlačenú, kým sa z vysokotlakového čističa neuvolní zvyšok vody.
Motor nespúšťajte na viac než 1 minútu.
► Obr.27
4. Vypnite vysokotlakový čistič a odpojte ho od siete.
► Obr.28: 1. Hlavný sieťový vypínač
5. Odpojte vysokotlakovú hadicu od pištole so spúšťou.
► Obr.29: 1. Pištoľ so spúšťou 2. Vysokotlaková hadica

V prípade modelu HP351 odpojte tiež vysokotlakovú hadicu od vysokotlakového čističa.

► Obr.30: 1. Vysokotlaková hadica

V prípade modelu HP401 zviňte hadicu a zaistíte koncovku hadice.

► Obr.31: 1. Úchyt 2. Rukoväť

UPOZORNENIE: Pred odložením vypustite z vysokotlakovej hadice všetku vodu, aby ste zabránili jej poškodeniu.

ÚDRŽBA A SKLADOVANIE

POZOR: Pred vykonávaním kontroly a údržby nástroj vždy vypnite a odpojte od prívodu elektrickej energie.

UPOZORNENIE: Nepoužívajte benzín, riedidlo, alkohol ani podobné látky. Mohlo by to spôsobiť zmenu farby, deformácie alebo praskliny.

Čistenie dýzy

Na odstránenie nečistôt z dýzy alebo na uvoľnenie upchatia použite čistiaci kolík.

► Obr.32: 1. Čistiaci kolík

UPOZORNENIE: Špinu ani nečistoty neodstraňuje násilím. Mohlo by to spôsobiť zranenie osôb alebo poškodenie rozstrekovacieho otvoru, vychýliť prúd vody či znížiť výkon.

Čistenie filtra

Odpojte prípojku hadice na vodu a odstráňte špinu a nečistoty zvnútra filtra.

- **Obr.33:** 1. Prípojka hadice na vodu 2. Filter
3. Tesniaci krúžok

Pri používaní súpravy nasávacej hadice (voliteľné príslušenstvo) vyberte filter z puzdra filtra a odstráňte špinu a nečistoty.

- **Obr.34:** 1. Filter 2. Puzdro filtra

POZNÁMKA: Filter pravidelne čistite, aby ste zachovali optimálny výkon.

Uskladnenie

Zviňte hadicu a kábel. Pištoľ so spúšťou a dýzy uložte do vreciek.

HP351

- **Obr.35**

HP401

- **Obr.36**

▲POZOR: Vždy odkladajte na miesto v interiéri, kde teplota neklesá pod bod mrazu. V prípade, že vysokotlakový čistič zamrzne a pokazí sa, so žiadosťou o opravu sa obráťte na miestne servisné stredisko.

▲POZOR: Pri prenášaní vysokotlakového čističa vždy používajte príslušnú rukoväť. Zariadenie nedržte za hadicu či kábel. Hadica alebo kábel sa môže poškodiť.

▲POZOR: Vysokotlakový čistič neprenášajte s rozvinutou hadicou a/alebo káblom. Rozvinutá hadica alebo kábel sa môže poškodiť alebo zamotať do iných predmetov a spôsobí zranenie osôb, prípadne môže dôjsť k poškodeniu.

Ak chcete udržať BEZPEČNOSŤ a BEZPORUCHOVOSŤ výrobku, prenechajte opravy, údržbu a nastavenie na autorizované alebo továrenské servisné centrá Makita, ktoré používajú len náhradné diely značky Makita.

RIEŠENIE PROBLÉMOV

Pred požiadankám o vykonanie opravy najprv vykonajte vlastnú kontrolu. Ak zistíte problém, ktorý nie je vysvetlený v návode, nepokúšajte sa nástroj rozoberať.

Namiesto toho o opravu požiadajte autorizované servisné strediská spoločnosti Dolmar, ktoré používajú len náhradné diely značky Dolmar.

Chybný stav	Predpokladaná príčina (porucha)	Náprava
Čistič neštartuje.	Žiadny elektrický prúd	Pripojte zástrčku k sieti. Okrem toho skontrolujte, či je sieť pod napätím.
	Vypínač nie je zapnutý.	Zapnite vypínač.
	Zostatkový tlak v čerpadle	Stlačte spúšť.
	Poškodený kábel alebo elektrický okruh	O opravu požiadajte autorizované stredisko.
Žiadny alebo slabý prúd vody	Žiadny prívod vody	Skontrolujte, či je vodovodný kohútik otvorený. V prípade používania súpravy nasávacej hadice nasajte vodu do hadice.
	Nedostatočný prívod vody	Otvorte kohútik.
	Nedostatočné pripojenie hadice na vodu	Skontrolujte spojenie medzi hadicou na vodu, vodovodným kohútikom a vstupom vysokotlakového čističa.
	Upchatá hadica, filter alebo dýza	Odstráňte upchatie hadice, filtra alebo dýzy.
	Prietoku vody bráni vzduch.	Vypnite hlavný vypínač, znova ho zapnite a súčasne držte stlačenú spúšť.
	Poškodená alebo opotrebovaná dýza	Vymeňte dýzu.
Nestabilný prúd vody.	Porucha čerpadla alebo ventilu	O opravu požiadajte autorizované stredisko.
	Upchatá dýza	Uvoľnite upchatie rozstrekovacieho otvoru dýzy pomocou čistiaceho kolíka.
	Nedostatočné nasávanie vody	Skontrolujte, či z hadice na vodu pripojenej k vodovodnému kohútiku neuniká voda a či táto hadica nie je upchatá. Otvorte kohútik.
	Voda je príliš horúca.	Použite chladnejšiu vodu.
Nadmerný hluk.	Porucha ventilu	O opravu požiadajte autorizované stredisko.
	Voda je príliš horúca.	Použite chladnejšiu vodu.
Únik vody alebo oleja.	Čerpadlo nasáva vzduch.	O opravu požiadajte autorizované stredisko.
	Nedostatočné spojenie	Skontrolujte spojenie medzi vysokotlakovou hadicou, pištoľou so spúšťou a vysokotlakovým čističom.
Čerpadlo nefunguje aj napriek tomu, že sa ozýva zvuk motora.	Opotrebované tesnenia	O opravu požiadajte autorizované stredisko.
	Nevhodný predlžovací kábel.	Použite vhodný predlžovací kábel vzhľadom na menovitú hodnotu elektrického prúdu produktu.

VOLITEĽNÉ PRÍSLUŠENSTVO

▲POZOR: Tieto doplnky a príslušenstvo sú odporúčané na použitie s nástrojom Dolmar, ktorý je uvedený v tomto návode. Pri použití iného príslušenstva či nástavcov môže hroziť nebezpečenstvo zranenia osôb. Príslušenstvo a nástavce sa môžu používať len na stanovené účely.

Ak potrebujete bližšie informácie týkajúce sa tohoto príslušenstva, obráťte sa na svoje miestne servisné stredisko firmy Dolmar.

POZNÁMKA: Niektoré položky zo zoznamu môžu byť súčasťou balenia nástrojov vo forme štandardného príslušenstva. Rozsah týchto položiek môže byť v každej krajine odlišný.

Striekací nadstavec

► Obr.37

Šírku prúdu vody možno nastaviť od 0° do 25° otočením prednej časti dýzy.

▲POZOR: Pri nastavovaní šírky prúdu vody dýzy pri otáčaní netlačte smerom k pištoli so spúšťou. Dýza sa môže z pištole so spúšťou uvoľniť a spôsobiť zranenie osôb.

Kefa na umývanie (dlhá)

► Obr.38

Dýza vybavená kefou. Vhodná na umývanie nečistôt a súčasne drhnutie kefou.

Súprava nasávacej hadice

► Obr.39

Hadicu na vodu nahraďte touto súpravou, ak chcete využívať vodu z nádrže alebo zásobníka.

Rotačná čistiaca kefa

► Obr.40

Tri kefy vnútri sa pomaly otáčajú, keď strieka prúd vody. Vhodná na čistenie jemných nečistôt z vonkajších múrov, karosérie vozidla, vane atď.

Predĺženie nadstavca

► Obr.41

Rúrky na zväčšenie dĺžky pištole so spúšťou. K dispozícii sú tri dĺžky, ktoré možno dosiahnuť zmenou počtu použitých rúrok.

Striekací nadstavec na podvozok

► Obr.42

Striekací nadstavec s väčšou dĺžkou a zakrivenou dýzou. Najlepší na čistenie ťažko prístupných častí, akými sú podvozok vozidla alebo strešný žľab.

▲POZOR: Striekací nadstavec na podvozok nepoužívajte spolu s predĺžovacím nadstavcom.

Kryt proti ostriekaniu

► Obr.43

Znižuje rozstrekovanie smerom dozadu pri čistení rohov rotačnou tryskou.

Otočný kĺbový spoj

► Obr.44

Zabraňuje skrúteniu vysokotlakovéj hadice.

Spojovacia prípojka

► Obr.45

Spojka na pripojenie dýzy z iného modelu.

POZNÁMKA: Spojovacia prípojka sa vyžaduje pri použití trysiek dodávaných k inému modelu – HP-350 alebo HP-400.

Súprava na čistenie potrubí (10 m/15 m)

► Obr.46

Na čistenie a uvoľnenie upchatia potrubí a výfukov.

▲POZOR: Pri používaní súpravy na čistenie potrubí venujte mimoriadnu pozornosť prúdu vody. Vodný prúd sa s veľkou intenzitou rozstrekuje smerom dozadu.

Predĺžovacia vysokotlaková hadica (5 m/8 m/10 m)

► Obr.47

Predĺžovacia hadica na pripojenie k telesu vysokotlakového čističa a k pištoli so spúšťou.

VAROVÁNÍ

- Stroje nesmí být používány dětmi. Děti musí být pod dohledem, aby si se zařízením nehrály.
- Toto zařízení není určeno k používání osobami (včetně dětí) s omezenými fyzickými, smyslovými či duševními schopnostmi nebo s nedostatečnými zkušenostmi a znalostmi.
- Toto zařízení bylo zkonstruováno k použití s čisticím prostředkem dodaným nebo doporučeným výrobcem. Použití jiných čisticích prostředků nebo chemikálií může nepříznivě ovlivnit bezpečnost zařízení.
- Vysokotlaké proudy vody mohou být při nesprávném použití nebezpečné. Proud vody nesmí být zaměřen na osoby, elektrická zařízení pod napětím ani na samotné zařízení.
- Zařízení nepoužívejte v blízkosti osob, které nepoužívají ochranný oděv.
- Nesměrujte proud vody na sebe ani na nikoho jiného, pokud chcete očistit oblečení nebo obuv.
- Nebezpečí výbuchu – k stříkání nepoužívejte hořlavé kapaliny.
- Vysokotlaké myčky nesmí být používány dětmi ani nevyškoleným personálem.
- Vysokotlaké hadice, armatury a spojky jsou důležité pro bezpečnost zařízení. Používejte pouze hadice, armatury a spojky doporučené výrobcem.
- Abyste zaručili bezpečnost zařízení, používejte pouze originální náhradní díly od výrobce nebo schválené výrobcem.
- Než začnete na náradí provádět jakékoli práce, vždy se předtím přesvědčte, že je vypnuté a vytažené ze zásuvky.
- Zařízení nepoužívejte, pokud jsou napájecí kabel nebo důležité součásti zařízení (např. bezpečnostní zařízení, vysokotlaké hadice, stříkací hlavice) poškozené.
- Nevhodné prodlužovací kabely mohou být nebezpečné. Pokud je použit prodlužovací kabel, musí být vhodný pro venkovní použití a spojení je třeba uchovat v suchu a nad zemí. Doporučujeme k tomuto účelu použít kabel na navijáku, ve kterém je zásuvka umístěna alespoň 60 mm nad zemí.

- Než ponecháte zařízení bez dozoru, vždy vypněte odpojovací spínač síťového napájení.
- Dbejte požadavků místní vodárenské společnosti.
- Pro země Evropy:
Dle normy EN12729 (BA) lze přístroj též připojit k rozvodu pitné vody, je-li v přívodní hadici instalován ventil proti zpětnému průtoku s funkcí odtoku.

SPECIFIKACE

Model:		HP351	HP401
Max. objem kapaliny		7,0 l/min	7,5 l/min
Průtok vody		5,5 l/min	6,0 l/min
Max. přípustný tlak		12 MPa (120 bar)	13 MPa (130 bar)
Pracovní tlak	Režim vysokého výkonu	10 MPa (100 bar)	11 MPa (110 bar)
	Režim nízkého výkonu	-	8 MPa (80 bar)
Max. tlak v přívodu		1 MPa (10 bar)	
Max. teplota v přívodu		40 °C	
Max. sací výška		1,0 m	
Rozměry (D × Š × V)		292 mm × 358 mm × 830 mm	
Hmotnost		11,0 kg	12,7 kg
Ochrana motoru		IPX5	

- Vzhledem k neustálému výzkumu a vývoji podléhají zde uvedené specifikace změnám bez upozornění.
- Specifikace se mohou pro různé země lišit.
- Hmotnost podle EPTA-Procedure 01/2003

Symbols

Níže jsou uvedeny symboly, se kterými se můžete při použití nářadí setkat. Je důležité, abyste dříve, než s ním začnete pracovat, pochopili jejich význam.



Přečtěte si návod k obsluze.



Buďte obzvláště opatrní a dávejte pozor.



DVOJITÁ IZOLACE



Pouze pro země EU
Elektrické nářadí nevyhazujte do komunálního odpadu! Podle evropské směrnice o odpadních elektrických a elektronických zařízeních včetně její implementace v souladu s národními zákony musí být elektrické zařízení po skončení životnosti shromážděno odděleně a předáno do ekologického recyklačního zařízení.



Nesměřujte proud vody na sebe, zvířata ani elektrická zařízení pod napětím.



Není vhodné pro připojení k rozvodu pitné vody.

Účel použití

Toto zařízení je určeno k čištění pevně přichycených nečistot pomocí proudu vody. Toto zařízení je určeno k použití v domácnosti.

Napájení

Nářadí smí být připojeno pouze k napájení se stejným napětím, jaké je uvedeno na výrobním štítku, a může být provozováno pouze v jednofázovém napájecím okruhu se střídavým napětím. Nářadí je vybaveno dvojitou izolací a může být připojeno i k zásuvkám bez zemního vodiče.

Pro veřejné nízkonapěťové rozvodné systémy s napětím mezi 220 V a 250 V

Při spínání elektrických přístrojů může dojít ke kolísání napětí. Provozování tohoto zařízení za nepříznivého stavu elektrické sítě může mít negativní vliv na provoz ostatních zařízení. Je-li impedance sítě menší nebo rovna 0,25 Ohm, lze předpokládat, že nevzniknou žádné negativní účinky. Síťová zásuvka použitá pro toto zařízení musí být chráněna pojistkou nebo ochranným jističem s pomalou vypínací charakteristikou.

Hlučnost

Typická vážená hladina hluku (A) určená podle normy EN60335-2-79:

Model HP351

Hladina akustického tlaku (L_{pA}): 72 dB(A)
Nejistota (K): 3,8 dB(A)

Model HP401

Hladina akustického tlaku (L_{pA}): 76 dB(A)
Nejistota (K): 2,4 dB(A)

Hladina hluku při práci může překročit hodnotu 80 dB (A).

VAROVÁNÍ: Používejte ochranu sluchu.

Vibrace

Celková hodnota vibrací (vektorový součet tří os) určená podle normy EN60335-2-79:

Model HP351

Emise vibrací (a_h): 4,11 m/s^2
Nejistota (K): 1,5 m/s^2

Model HP401

Emise vibrací (a_h): 4,86 m/s^2
Nejistota (K): 1,5 m/s^2

POZNÁMKA: Hodnota deklarovaných emisí vibrací byla změněna standardní zkušební metodou a dá se použít k porovnání nářadí mezi sebou.

POZNÁMKA: Hodnotu deklarovaných emisí vibrací lze také použít k předběžnému posouzení míry expozice vibracím.

VAROVÁNÍ: Emise vibrací při používání elektrického nářadí ve skutečnosti se mohou od hodnoty deklarovaných emisí vibrací lišit v závislosti na způsobech použití nářadí.

VAROVÁNÍ: Nezapomeňte stanovit bezpečnostní opatření na ochranu obsluhy podle odhadu expozice ve skutečných podmínkách použití. (Vezměte přitom v úvahu všechny části provozního cyklu, tj. kromě doby zátěže například doby, kdy je nářadí vypnuté a kdy běží naprázdno.)

Prohlášení ES o shodě

Pouze pro evropské země

Prohlášení ES o shodě je obsaženo v Příloze A tohoto návodu k obsluze.

BEZPEČNOSTNÍ VÝSTRAHY

VAROVÁNÍ: Přečtete si veškerá bezpečnostní upozornění a všechny pokyny. Zanedbání upozornění a pokynů může mít za následek úraz elektrickým proudem, vznik požáru nebo vážné zranění.

Všechna upozornění a pokyny si uschovejte pro budoucí potřebu.

Bezpečnost na pracovišti

1. V pracovní oblasti se nesmí nacházet žádná osoba.
2. Nepřeceňujte své schopnosti a nestoupejte si na nestabilní podložky. Udržujte vždy správný postoj a rovnováhu.
3. Tělo vysokotlaké myčky vždy umístěte na rovný a stabilní povrch. Vyhněte se oblastem, kudy bude protékat použitá voda nebo kde se budou tvořit kaluže.
4. Před čištěním zkontrolujte okolí a objekty, které mají být vyčištěny. Vysokotlaké proudy vody mohou oprýskat lak nebo jinou povrchovou úpravu včetně jedovatých chemikálií. V případě potřeby podnikněte preventivní opatření.
5. Dbejte opatrnosti, abyste nezakopli o kabel nebo hadici vysokotlaké myčky. Při provozu si udržujte přehled o poloze kabelu a hadice.
6. Při používání obvykle unikne malé množství vody ze spodní strany vysokotlaké myčky. Neumísťujte vysokotlakou myčku do míst, která nechcete namočit.

Bezpečnost osob

1. K ochraně před proudem vody a objekty v proudě vody musí obsluha používat náležitě oblečení, například ochrannou obuv, ochranné rukavice, ochrannou přilbu se štítem, ochranu sluchu apod.
2. Vysokotlakou myčku nepoužívejte v blízkosti osob, které nepoužívají ochranný oděv.
3. Pokud je přístroj použit v blízkosti dětí, je nutný přísný dohled, abyste snížili riziko poranění.
4. Voda, která protekla zpětnou klapkou není považována za pitnou.

Elektrická bezpečnost

1. Vysokotlakou myčku nikdy nepoužívejte venku v dešti.
2. Elektrické zástrčky ani zásuvky se nikdy nedotýkejte vlhkými rukama.
3. Zařízení nepoužívejte, pokud jsou napájecí kabel nebo důležité součásti zařízení (např. bezpečnostní zařízení, vysokotlaké hadice, stříkací hlavice) poškozené.
4. Zástrčka musí odpovídat zásuvce. Zástrčka nikdy žádným způsobem neupravujte. Při použití elektrického nářadí s uzemněním nepoužívejte žádné adaptéry. Neupravovaná zástrčka a odpovídající zásuvka snižuje nebezpečí úrazu elektrickým proudem.
5. Nevhodné prodlužovací kabely mohou být nebezpečné. Pokud je použit prodlužovací kabel, musí být vhodný pro venkovní použití a spojení je třeba uchovat v suchu a nad zemí. Doporučujeme k tomuto účelu použít kabel na navijáku, ve kterém je zásuvka umístěna alespoň 60 mm nad zemí.
6. Při použití prodlužovacích kabelů mějte vždy na paměti:

- Používejte pouze prodlužovací kabely určené pro venkovní použití.
 - Používejte pouze prodlužovací kabely s elektrickým příkonem stejným nebo vyšším než příkon výrobku.
 - Nepoužívejte poškozené prodlužovací kabely.
 - Prodlužovací kabely před použitím zkontrolujte a zjistíte-li poškození, vyměňte je.
 - Prodlužovací kabely nenamáhejte a při jejich odpojování za ně netahejte.
 - Kabely nevystavujte teplu ani ostrým hranám.
 - Prodlužovací kabel vždy odpojte ze zásuvky před odpojením výrobku od prodlužovacího kabelu.
7. Připojení elektrického napájení musí provést kvalifikovaný elektrikář v souladu se směrnicí IEC 60364-1. Je doporučeno, aby elektrické napájení tohoto zařízení zahrnovalo proudový chránič, který přeruší napájení, pokud svodový zemní proud překročí 30 mA po dobu 30 ms, případně zařízení, které poskytne zemnicí obvod.

Práce s elektrickým nářadím a péče o něj

1. Před použitím výrobku si přečtete všechny pokyny.
2. Zjistíte si, jak vysokotlakou myčku rychle vypnout a uvolnit tlak v ní. Dokonale se obeznamte s ovládacími prvky.
3. Vysokotlaké proudy vody mohou být při nesprávném použití nebezpečné. Proud vody nesmí být zaměřen na osoby, elektrická zařízení pod napětím ani na samotné zařízení.
4. Toto zařízení není určeno k používání osobami (včetně dětí) s omezenými fyzickými, smyslovými či duševními schopnostmi nebo s nedostatečnými zkušenostmi a znalostmi.
5. Děti musí být pod dohledem, aby si se zařízením nehrály.
6. K stříkání nepoužívejte hořlavé ani jedovaté kapaliny. Mohlo by dojít k výbuchu nebo otravě, případně k poškození zařízení.
7. Nesměrujte proud vody na sebe ani na nikoho jiného, pokud chcete očistit oblečení nebo obuv.
8. Vysokotlaké hadice, armatury a spojky jsou důležité pro bezpečnost zařízení. Používejte pouze hadice, armatury a spojky doporučené výrobcem.
9. Při výměně příslušenství postupujte podle pokynů.
10. Držadla udržujte suchá a čistá a chraňte je před olejem a mazacím tukem.
11. Buďte opatrní – dávejte pozor na to, co děláte.
12. S výrobkem nepracujte, pokud jste unavení nebo pod vlivem alkoholu či drog.
13. Vysokotlakou myčku nespouštějte bez vody po dobu delší než jedna minuta. Došlo by k poškození motoru a následné poruše.
14. Než ponecháte vysokotlakou myčku bez dozoru, vždy vypněte napájení a uzavřete přívod vody.

15. Dějte pozor na zpětný ráz. Když z trysky vytryskne vysokotlaký proud vody, způsobí to zpětný ráz stříkací hlavičky. Držte stříkací hlavičku pevně, abyste zabránili případným zraněním.
16. Před použitím zkontrolujte, zda nejsou některé díly poškozené nebo opotřebené. Také se ujistěte, že hadice je náležitě připojena a že při provozu nedochází k netěsnostem. Provozování zařízení s funkčními vadami může způsobit nehodu.
17. Toto zařízení bylo zkonstruováno k použití s čisticím prostředkem dodaným nebo doporučeným výrobcem. Použití jiných čisticích prostředků nebo chemikálií může nepříznivě ovlivnit bezpečnost zařízení.
18. Při posouvání těla vysokotlaké myčky netahejte za kabel ani hadici. Mohlo by dojít k poškození kabelu, hadice a spojovacích dílů, což by mohlo způsobit zkrat nebo funkční vady.
19. Na hadici nestavte těžké předměty a nedovolte, aby ji přejížděla vozidla.
20. Před odpojením hadice vždy uvolněte tlak ve stříkací hlavičce.
21. Při připojení hadice k vodovodní přípojce dodržujte pokyny místního provozovatele vodovodní sítě.

Servis

1. Dodržujte pokyny k údržbě uvedené v příručce.
2. Abyste zaručili bezpečnost zařízení, používejte pouze originální náhradní díly od výrobce nebo schválené výrobcem.
3. Vysokotlakou myčku si nechávejte opravovat kvalifikovaným pracovníkem s použitím výhradně identických náhradních dílů. Tím zajistíte zachování bezpečnosti vysokotlaké myčky.
4. V případě poruchy nebo nefunkčnosti vysokotlaké myčky ji neprodlené vypněte a odpojte kabel ze zásuvky. obraťte se na místního prodejce nebo servisní středisko.

TYTO POKYNY USCHOVEJTE.

VAROVÁNÍ: NEDOVOLTE, aby pohodlnost nebo pocit znalosti výrobku (získány na základě předchozího použití) vedl k zanedbání dodržování bezpečnostních pravidel platných pro tento výrobek.

NESPRÁVNÉ POUŽÍVÁNÍ či nedodržení bezpečnostních pravidel uvedených v tomto návodu k obsluze může způsobit vážné zranění.

POPIS FUNKCÍ

⚠ UPOZORNĚNÍ: Před nastavováním nářadí nebo kontrolou jeho funkce se vždy přesvědčte, že je vypnuté a vytažené ze zásuvky.

Vypínač

POZOR: Neotáčejte vypínačem násilím. Mohlo by dojít k poškození vypínače.

Pro model HP351

► **Obr.1:** 1. Poloha VYPNUTO 2. Poloha ZAPNUTO

Vysokotlakou myčku zapnete otočením vypínače vpravo.

Pro model HP401

Otočte vypínačem vpravo nebo vlevo v závislosti na požadovaném tlaku. Režim vysokého tlaku zapněte otočením vypínače vpravo, režim nízkého tlaku otočným vlevo.

► **Obr.2:** 1. Režim nízkého tlaku 2. Poloha VYPNUTO 3. Režim vysokého tlaku

Funkce trysky

Rozprašovací nástavec Vario-Power

► **Obr.3**

Proud vody lze nastavit otáčením trysky.

⚠ UPOZORNĚNÍ: Při otáčení tryskou během nastavení tlaku proudu ji současně netlačte směrem ke stříkací hlavici. Tryska by se mohla ze stříkací hlavičky uvolnit a mohla by způsobit zranění.

Rotační tryska

► **Obr.4**

Spirálová tryska je vysunuta. Vhodná k odstranění pevně přichycených nečistot.

POZOR: Rotační trysku nepoužívejte k čištění křehkých povrchů, jako jsou okna nebo karosérie vozidel.

Pěnová tryska

► **Obr.5**

Čistící prostředek lze rozprašovat jako pěnu.

Funkce spouště

Stisknutím spouště spustíte proud vody. Proud bude stříkat, dokud bude spoušť stisknutá. Spoušť lze zajistit s ohledem na bezpečnou manipulaci se stříkací hlavicí. Chcete-li spoušť zajistit, vytáhněte doraz a zahákněte jej do drážky v rukojeti.

► **Obr.6:** 1. Doraz 2. Drážka

POZOR: Abyste předešli mechanické závadě v tlakovém spínači, před opětovným stisknutím spouště vždy vyčkejte dvě sekundy.

Bezpečnostní ventil

Toto zařízení je vybaveno bezpečnostním ventilem, který zabrání nepatřičnému přetlaku. Ventil se otevře po uvolnění spouště a voda je odváděna zpět na vstup čerpadla.

⚠ UPOZORNĚNÍ: Nezasahujte do bezpečnostního ventilu ani neměňte jeho nastavení.

Hadicový naviják

Pouze pro model HP401

Před rozvinutím hadice vyjměte nejprve hadici z držáku. Rozložte držadlo a otočte jím vpravo. Při práci s vysokotlakou myčkou vždy rozvířte hadici v plné délce.

► **Obr.7:** 1. Hadicový naviják 2. Držadlo 3. Konec hadice

Při ukládání hadice otáčejte držadlem vlevo a zajistěte konec hadice.

► **Obr.8:** 1. Držák 2. Držadlo

Přívod vody z nádrže/zásobníku

Volitelné příslušenství

Vodu lze místo z vodovodního řadu přivádět z nádrže nebo zásobníku.

Spojku vodní hadice nahradte sadou sací hadice (volitelné příslušenství). Při připojení sady sací hadice odpojte z hadice pouzdro filtru a připojte je na vstup vysokotlaké myčky. Potom připojte hadici k pouzdrům filtru.

► **Obr.9:** 1. Nádrž/zásobník 2. Sada sací hadice 3. Spojka vodní hadice 4. Hadice 5. Pouzdro filtru 6. Vstup vysokotlaké myčky

POZOR: Vždy používejte sadu sací hadice Makita.

POZOR: Maximální rozdíl mezi vstupem vysokotlaké myčky a hladinou vody je 1,0 m (3,28 ft). Jinak nebude moci vysokotlaká myčka nasát vodu do čerpadla.

Abyste nasáli vodu do hadice, vyjměte ze stříkací hlavičky trysku a při zapnutí vysokotlaké myčky držte stisknutou spoušť. Jakmile začne voda ze stříkací hadice vytékat souvisle, uvolněte spoušť a připojte trysku podle potřeby.

► **Obr.10:** 1. Stříkací hlavice

POZNÁMKA: Pokud voda nevytéká, odpojte sadu sací hadice a ponořte ji do vody. Potom ji znovu připojte k vysokotlaké myčce.

► **Obr.11:** 1. Sada sací hadice

SESTAVENÍ

⚠ UPOZORNĚNÍ: Než začnete na nářadí provádět jakékoli práce, vždy se předtím přesvědčte, že je vypnuté a vytažené ze zásuvky.

Sestavení držadla k přenášení

Pouze pro model HP351

1. Spojte přední a zadní poloviny držadla zarovnaným otvorem pro šrouby na těle vysokotlaké myčky.
► **Obr.12:** 1. Přední polovina držadla 2. Zadní polovina držadla 3. Tělo vysokotlaké myčky
2. Držadlo k přenášení zajistěte pomocí šroubů (7 ks).
► **Obr.13**

Připojte vysokotlakou hadici

Pouze pro model HP351

Připojte vysokotlakou hadici k výstupu (se symbolem hlavice). Otočením matiči na vysokotlaké hadici vpravo ji našroubujte na vnější závit výstupu.

- **Obr.14:** 1. Výstup 2. Matice

⚠ UPOZORNĚNÍ: Ujistěte se, že je vysokotlaká hadice bezpečně připojena. Uvolněný spoj může způsobit uvolnění vysokotlaké hadice a následný úraz.

Připojení stříkací hlavice

Připojte vysokotlakou hadici ke vstupu stříkací hlavice. Otočením matiči na vysokotlaké hadici vpravo ji našroubujte na vnější závit vstupu.

- **Obr.15:** 1. Vstup 2. Matice

⚠ UPOZORNĚNÍ: Ujistěte se, že je vysokotlaká hadice bezpečně připojena. Uvolněný spoj může způsobit uvolnění vysokotlaké hadice a následný úraz.

Připojení k vodovodnímu kohoutku

⚠ UPOZORNĚNÍ: Vždy používejte tlakovou vodní hadici o $\varnothing 13$ mm nebo větším a k vodovodnímu kohoutku ji připojte pomocí správné armatury. Jinak může dojít k poškození vodní hadice, případně armatury, a k následnému úrazu.

POZOR: Použijte co nejkratší tlakovou vodní hadici. Přívod vody musí mít větší průtok než je maximální průtok čerpadla.

POZOR: Pokud přístroj připojíte k rozvodu pitné vody, použijte zpětný ventil, který splňuje požadavky místních předpisů v dané oblasti.

Připravte tlakovou vodní hadici. Jeden konec spojovací objímky připojte k hadici a druhý k vodovodnímu kohoutku následujícím způsobem.

1. Sejměte matiči na spojovací objímce a navlékněte matiči na tlakovou vodní hadici. Konec hadice zasuňte do spojovací objímky a potom utáhněte matiči.
► **Obr.16:** 1. Tlaková vodní hadice 2. Matice spojovací objímky 3. Spojovací objímka

POZNÁMKA: Pokud tlakovou vodní hadici k vodovodnímu kohoutku připojíte pomocí spojovací objímky, připojte ji k oběma koncům hadice.

2. Připojte tlakovou vodní hadici k vodovodnímu kohoutku. Konec hadice na vodovodním kohoutku zajistěte pomocí vhodného příslušenství, například pomocí hadicové svorky nebo přípojky na vodovodní kohoutek.

- **Obr.17:** 1. Hadicová svorka 2. Přípojka na vodovodní kohoutek 3. Tlaková vodní hadice

POZNÁMKA: Příslušenství závisí na tvaru vodovodního kohoutku, ke kterému hadici připojujete. Připravte vhodnou běžně dostupnou armaturu.

3. Připojte spojku vodní hadice ke vstupu (označeném symbolem vodovodního kohoutku) a zapojte spojovací objímku.

- **Obr.18:** 1. Spojovací objímka 2. Spojka vodní hadice 3. Vstup

Připojení/odpojení trysky

⚠ UPOZORNĚNÍ: Při připojení/odpojení trysky vždy zajistěte spoušť.

Zasuňte konec trysky do otvoru ve stříkací hlavici a otočte tryskou ve směru šipky, jak je uvedeno na obrázku. Chcete-li trysku odpojit, zatlačte na ni směrem ke stříkací hlavici a otočte ji opačným směrem.

- **Obr.19:** 1. Stříkací hlavice 2. Štěrbina 3. Konec trysky

Některé volitelné trysky vyžadují k připojení ke stříkací hlavě redukci (volitelné příslušenství). Připojte redukci ke stříkací hlavici stejným způsobem jako trysku.

- **Obr.20:** 1. Tryska 2. Redukce 3. Stříkací hlavice

POZNÁMKA: Redukce je nutná při použití trysek přiložených k jiným modelům: HP-350 nebo HP-400.

Připojení pěnové trysky

⚠ UPOZORNĚNÍ: Při připojení/odpojení trysky vždy zajistěte spoušť.

Před použitím pěnové trysky připravte čisticí prostředek.

1. Vyjměte trysku z nádrže otáčením tryskou vlevo. Připojte trysku ke stříkací hlavici.

- **Obr.21:** 1. Tryska 2. Stříkací hlavice

2. Nalijte čisticí prostředek do nádrže a nádrž připevňte k trysce.

- **Obr.22:** 1. Nádrž

POZOR: Vždy používejte neutrální čisticí prostředek. Kyselý nebo zásaditý čisticí prostředek může poškodit nádrž nebo trysku.

PRÁCE S NÁŘADÍM

⚠ VAROVÁNÍ: Nedotýkejte se proudy vody ani jej nesměrujte na sebe či jiné osoby. Proud vody je nebezpečný a může způsobit zranění vám nebo dalším osobám.

⚠ VAROVÁNÍ: Při stříkání proudem vody nikdy nedržte čišťený předmět ani nepřibližujte ruce nebo nohy do blízkosti proudu vody.

⚠ UPOZORNĚNÍ: Počítejte s odražením proudu vody a předmětů stržených proudem. Minimální vzdálenost trysky od předmětu je 30 cm .

⚠ UPOZORNĚNÍ: Vysokotlakou myčku nespouštějte bez vody po dobu delší než 1 minuta.

⚠ UPOZORNĚNÍ: Vysokotlakou myčku nepoužívejte po příliš dlouhou dobu. Mohlo by dojít k přehřátí nebo požáru. Dlouhodobé používání také může být příčinou onemocnění způsobeného vibracemi.

⚠ UPOZORNĚNÍ: Zjistěte směr proudění větru. Pokud vám čisticí prostředek vnikne do očí nebo úst, neprodleně je opláchněte čistou vodou a v případě potřeby vyhledejte lékařskou pomoc.

POZOR: Vysokotlakou myčku nepoužívejte déle než 1 hodinu. Po používání po dobu 1 hodiny si udělejte dostatečnou přestávku.

1. Připojte konec vysokotlaké hadice ke stříkací hlavici. U modelu HP351 připojte druhý konec k vysokotlaké myčce. U modelu HP401 rozvířte hadici v celé délce.
2. Připojte vysokotlakou myčku k vodovodnímu kohoutku a potom kohoutek otevřete.
▶ Obr.23

POZOR: Abyste chránili mechanismus vysokotlaké myčky, nepoužívejte vodu teplejší než 40 °C.

3. Zapojte vysokotlakou myčku do zásuvky a zapněte ji.
▶ Obr.24: 1. Vypínač
4. Chcete-li spustit proud vody, uvolněte doraz a stiskněte spoušť. Proud bude stříkat, dokud bude spoušť stisknutá.
▶ Obr.25: 1. Doraz

⚠ UPOZORNĚNÍ: Držte pevně stříkací hlavici. Stisknutí spouště vyvolá zpětný ráz stříkací hlavice.

⚠ UPOZORNĚNÍ: Při čištění držte vždy stříkací hlavici za držadlo a hlavěň. Když běží motor, nedotýkejte se jiných částí těla vysokotlaké myčky než držadla k přenášení a vypínače.

POZOR: Při provozu netahejte za stříkací hlavici příliš velkou silou. Mohlo by dojít k převrácení vysokotlaké myčky.

Po použití

⚠ UPOZORNĚNÍ: Po použití vždy proveďte postup popsany v této příručce. Zbytekový tlak ve stříkací hlavici nebo vysokotlaké myčce může způsobit úraz nebo poškození vnitřního čerpadla.

1. Po dokončení práce ponechte vypínač zapnutý.
2. Zavřete vodovodní kohoutek a odpojte vodní hadici od vysokotlaké myčky.
▶ Obr.26
3. Stiskněte spoušť a podržte ji, dokud nevyteče voda zbývající ve vysokotlaké myčce. Nenechte motor puštěný déle než 1 minutu.
▶ Obr.27

4. Vypněte vysokotlakou myčku a odpojte ji ze zásuvky.

▶ Obr.28: 1. Vypínač

5. Odpojte vysokotlakou hadici od stříkací hlavice.

▶ Obr.29: 1. Stříkací hlavice 2. Vysokotlaká hadice

U modelu HP351 také odpojte vysokotlakou hadici od vysokotlaké myčky.

▶ Obr.30: 1. Vysokotlaká hadice

U modelu HP401 sviňte hadici a zajistěte konec hadice.

▶ Obr.31: 1. Držák 2. Držadlo

POZOR: Abyste předešli poškození vysokotlaké hadice, před uložením hadice z ní vypustěte zbývající vodu.

ÚDRŽBA A SKLADOVÁNÍ

⚠ UPOZORNĚNÍ: Než začnete provádět kontrolu nebo údržbu nářadí, vždy se přesvědčte, že je vypnuté a vytažené ze zásuvky.

POZOR: Nikdy nepoužívejte benzín, benzen, ředidlo, alkohol či podobné prostředky. Mohlo by tak dojít ke změnám barvy, deformacím či vzniku prasklin.

Čištění trysky

K odstranění nečistot z trysky nebo k jejímu uvolnění použijte čisticí kolíček.

▶ Obr.32: 1. Čisticí kolíček

POZOR: Prach a nečistoty neodstraňujte silou. Mohlo by dojít k úrazu nebo k poškození výstupního otvoru, a tím i k narušení úhlu proudu nebo ke snížení výkonu.

Čištění filtru

Odpojte konektor vodní hadice a odstraňte prach a nečistoty z vnitřní strany filtru.

▶ Obr.33: 1. Spojka vodní hadice 2. Filtr 3. Těsnící kroužek

Při použití sady sací hadice (volitelné příslušenství) vyjměte filtr z pouzdra filtru a odstraňte prach a nečistoty.

▶ Obr.34: 1. Filtr 2. Pouzdro filtru

POZNÁMKA: Filtr čistěte pravidelně, abyste zaručili optimální výkon.

Skladování

Sviňte hadici a kabel. Stříkací hlavici a trysky uložte do držáků.

HP351

▶ Obr.35

HP401

▶ Obr.36

⚠ UPOZORNĚNÍ: Vždy skladujte v uzavřené místnosti, kde neklesá teplota pod bod mrazu. Pokud vysokotlaká myčka zamrzne a přestane fungovat, požádejte o opravu místní servisní středisko.

⚠ UPOZORNĚNÍ: Při přemísťování vysokotlaké myčky vždy používejte držadlo k přenášení. Nenoste ji za hadici ani za kabel. Mohli byste hadici nebo kabel poškodit.

⚠ UPOZORNĚNÍ: Vysokotlakou myčku nenoste s rozvinutou hadicí nebo kabelem. Rozvinutá hadice nebo kabel mohou být poškozeny nebo se mohou zaplést do jiných předmětů a způsobit úraz nebo škody na majetku.

K zachování BEZPEČNOSTI a SPOLEHLIVOSTI výrobku musí být opravy a veškerá další údržba či seřizování prováděny autorizovanými nebo továrnými servisními středisky společnosti Makita s využitím náhradních dílů Makita.

ŘEŠENÍ POTÍŽÍ

Před žádostí o opravu proveďte nejprve prohlídku sami. Narazíte-li na problém, jenž v této příručce není vysvětlen, nepouštějte se do demontáže zařízení. Požádejte

o pomoc některé z autorizovaných servisních středisek Dolmar, kde k opravám vždy používají náhradní díly Dolmar.

Problém	Pravděpodobná příčina (porucha)	Náprava
Vysokotlakou myčku nelze spustit.	Napájení není připojeno	Zapojte zástrčku do elektrické zásuvky. Zkontrolujte také, zda je zásuvka pod napětím.
	Není zapnutý vypínač.	Zapněte vypínač.
	Zbytkový tlak v čerpadle	Stiskněte spoušť.
	Poškozený kabel nebo elektrické obvody	O opravu požádejte v autorizovaném servisním středisku.
Proud vody nestříká / stříká slabě	Bez přívodu vody	Přesvědčte se, že je vodovodní kohoutek otevřený. Pokud používáte sadu sací hadice, naplňte hadici vodou.
	Nedostatečný přívod vody	Otočte vodovodním kohoutkem.
	Nedostatečné připojení vodní hadice	Zkontrolujte spojení mezi vodní hadicí a vodovodním kohoutkem a mezi hadicí a vstupem vysokotlaké myčky.
	Ucpaná hadice, filtr nebo tryska	Uvolněte hadici, filtr nebo trysku.
	Vzduch bránící v proudění vody.	Vypněte vypínač, stiskněte spoušť a vypínač znovu zapněte.
	Poškozená nebo opotřebená tryska	Vyměňte trysku.
	Porucha čerpadla nebo ventilu	O opravu požádejte v autorizovaném servisním středisku.
Nestálý proud vody.	Ucpaná tryska	Uvolněte výstupní otvor trysky pomocí čistícího kolíčku.
	Nedostatečné sání vody	Zkontrolujte vodní hadici směrem od vodovodního kohoutku, zda není netěsná nebo ucpaná. Otočte vodovodním kohoutkem.
	Voda je příliš teplá.	Zajistěte chladnější vodu.
	Porucha ventilu	O opravu požádejte v autorizovaném servisním středisku.
Nezvyklé zvuky.	Voda je příliš teplá.	Zajistěte chladnější vodu.
	Čerpadlo nasálo vzduch.	O opravu požádejte v autorizovaném servisním středisku.
Únik vody/oleje.	Nedostatečné spojení	Zkontrolujte spojení mezi vysokotlakou hadicí, stříkací hadicí a vysokotlakou myčkou.
	Opotřebená těsnění	O opravu požádejte v autorizovaném servisním středisku.
Čerpadlo nepracuje, i když je slyšet zvuk motoru.	Nevhodný prodlužovací kabel.	Použijte prodlužovací kabel odpovídající příkonu výrobku.

VOLITELNÉ PŘÍSLUŠENSTVÍ

⚠ UPOZORNĚNÍ: K nářadí Dolmar popsaném v tomto návodu doporučujeme používat toto příslušenství. Při použití jiného příslušenství či nástavců může hrozit nebezpečí zranění osob. Příslušenství lze používat pouze pro stanovené účely.

Potřebujete-li bližší informace ohledně tohoto příslušenství, obraťte se na místní servisní středisko společnosti Dolmar.

POZNÁMKA: Některé položky seznamu mohou být k nářadí přibaleny jako standardní příslušenství. Přibalené příslušenství se může v různých zemích lišit.

Rozprašovací nástavec

► Obr.37

Šířku proudu lze nastavit v rozmezí 0° až 25° otáčením předním koncem trysky.

⚠ UPOZORNĚNÍ: Při otáčení tryskou během nastavení šířky proudu ji současně netlačte směrem ke stříkáci hlavici. Tryska by se mohla ze stříkáci hlavice uvolnit a mohla by způsobit zranění.

Čistící kartáč (dlouhý)

► Obr.38

Tryska vybavená kartáčem. Vhodná k odstranění nečistot pomocí kartáče.

Sada sací hadice

► Obr.39

Pokud touto sadou nahradíte vodní hadici, můžete odebírat vodu z nádrže nebo zásobníku.

Rotační čistící kartáč

► Obr.40

S prouděním vody se pomalu otáčejí tři kartáče uvnitř. Vhodné k odstranění menších nečistot z vnějších stěn, karoserie automobilu, vany apod.

Prodlužovací nástavec

► Obr.41

Trubky prodlužující stříkáci hlavici. K dispozici jsou tři různé délky podle počtu použitých trubek.

Rozprašovací nástavec na spodek karoserie

► Obr.42

Prodloužený rozprašovací nástavec se skloněnou tryskou. Nejlepší k čištění těžko přístupných oblastí, jako je spodek vozidla nebo střešní okapy.

⚠ UPOZORNĚNÍ: Rozprašovací nástavec na spodek karoserie nepoužívejte s prodlužovacím nástavcem.

Ochrana proti rozstříku

► Obr.43

Snížíze rozstřík při čištění rohů pomocí rotační trysky.

Otočná spojka

► Obr.44

Brání ve zkroucení vysokotlaké hadice.

Redukce

► Obr.45

Redukce k připojení trysky z jiného modelu.

POZNÁMKA: Redukce je nutná při použití trysek přiložených k jiným modelům: HP-350 nebo HP-400.

Sada pro čištění potrubí (10 m / 15 m)

► Obr.46

Pro čištění a uvolnění vodovodního a odpadního potrubí.

⚠ UPOZORNĚNÍ: Při používání sady pro čištění potrubí pracujte s proudem vody se zvýšenou opatrností. Dochází ke zpětnému proudění velmi silného proudu vody.

Prodlužovací vysokotlaká hadice (5 m / 8 m / 10 m)

► Obr.47

Prodlužovací hadice k propojení vysokotlaké myčky se stříkáci hlavici.

ПОПЕРЕДЖЕННЯ

- Пристрій не призначений для використання дітьми. Не допускайте, щоб діти гралися з пристроєм.
- Цей пристрій не призначений для використання дітьми та особами з обмеженими фізичними, сенсорними або розумовими можливостями, а також особами, яким не вистачає відповідних знань і досвіду.
- Цей пристрій призначений для використання виключно з м'якими засобами, що постачаються або рекомендуються виробником. Використання інших м'яких засобів чи хімічних речовин може негативно позначитись на безпеці експлуатації пристрою.
- Струмені високого тиску можуть становити небезпеку за умов неналежної експлуатації пристрою. Не слід спрямовувати струмінь на людей, увімкнені електроприлади й на самий пристрій.
- Не використовуйте пристрій у присутності інших осіб, якщо вони не вдягнуті в захисний одяг.
- Не спрямовуйте струмінь на себе або на інших осіб, щоб очистити одяг чи взуття.
- Вибухонебезпечно! Не розпилювати займісті рідини.
- Керування очищувачами високого тиску не слід доручати дітям або ненавченому персоналу.
- Шланги високого тиску, фітинги й муфти дуже важливі для безпечної роботи пристрою. Використовуйте виключно рекомендовані виробником шланги, фітинги й муфти.
- Щоб гарантувати безпечну роботу пристрою, використовуйте виключно оригінальні запасні частини, що постачаються або рекомендуються виробником.
- Перед виконанням будь-яких робіт з інструментом обов'язково вимкніть його й відключіть від електромережі.
- Не слід користуватися пристроєм, якщо пошкоджені його шнур живлення або важливі компоненти, як-от захисне пристосування, шланги високого тиску чи пістолет.

- Використання невідповідних подовжувачів може становити небезпеку. Якщо використовується подовжувач, він має бути розрахований для експлуатації на відкритому повітрі, а його штепсельний з'єднувач має бути захищеним від потрапляння води та ґрунту. Рекомендується з цією метою використовувати подовжувач на катушці, розетка якого розташовується щонайменше на відстані 60 мм над поверхнею землі.
- Завжди вимикайте живлення, якщо пристрій залишається без нагляду.
- Відповідає вимогам місцевої компанії водопостачання.
- Для європейських країн
Згідно з EN12729 (BA) прилад можна також підключати до лінії подачі питної води, якщо на лінії постачання встановлено клапан зі зливом, що запобігає зворотному потоку води.

ТЕХНІЧНІ ХАРАКТЕРИСТИКИ

Модель:	HP351	HP401
Макс. витрата рідини	7,0 л/хв	7,5 л/хв
Витрата рідини	5,5 л/хв	6,0 л/хв
Макс. допустимий тиск	12 МПа (120 бар)	13 МПа (130 бар)
Робочий тиск	Режим високого тиску	10 МПа (100 бар)
	Режим низького тиску	—
Макс. тиск подачі рідини	1 МПа (10 бар)	
Макс. температура рідини	40 °C	
Макс. висота всмоктування	1,0 м	
Габаритні розміри (Д x Ш x В)	292 x 358 x 830 мм	
Маса	11,0 кг	12,7 кг
Захист двигуна	IPX5	

- Оскільки наша програма наукових досліджень і розробок триває безперервно, наведені тут технічні характеристики можуть бути змінені без попередження.
- У різних країнах технічні характеристики можуть бути різними.
- Маса відповідно до EPTA-Procedure 01/2003

Символи

Далі наведено символи, які застосовуються для позначення обладнання. Перед користуванням переконайтеся, що ви розумієте їхнє значення.



Читайте посібник з експлуатації.



Будьте особливо уважні та обережні!



ПОДВІЙНА ІЗОЛЯЦІЯ



Тільки для країн ЄС
Не утилізуйте електричне обладнання разом із побутовими відходами! Згідно з Європейською директивою про утилізацію електричного та електронного обладнання і з її використанням із дотриманням національних законів, електричне обладнання, термін служби якого закінчився, слід збирати в окремо відведених місцях і повертати на відповідні підприємства з його переробки.



Не слід спрямовувати струмінь на людей, включаючи себе, тварин і увімкнені електроприлади.



Прилад не можна підключати до магистралі питної води.

Призначення

Цей інструмент призначений для змивання стійкого бруду за допомогою струменя води. Цей інструмент призначений тільки для побутового використання.

Джерело живлення

Інструмент можна підключати лише до джерела живлення, що має напругу, зазначену в таблиці із заводськими характеристиками, і він може працювати лише від однофазного джерела змінного струму. Він має подвійну ізоляцію, а отже може також підключатися до розеток без лінії заземлення.

Для використання від низьковольтної мережі від 220 В до 250 В

Увімкнення та вимкнення електричного приладу спричиняє коливання напруги. Експлуатація цього пристрою за несприятливих умов мережі може погано вплинути на роботу іншого обладнання. Можна припустити, що при опорі мережі 0,25 Ом або нижче ніякого негативного впливу не буде. Мережна розетка, до якої буде підключатися пристрій, повинна бути захищена запобіжником або захисним автоматичним вимикачем плавного розчіплювання.

Шум

Рівень шуму за шкалою А в типовому виконанні, визначений відповідно до стандарту EN60335-2-79:

Модель HP351

Рівень звукового тиску (L_{pA}): 72 дБ (А)
Похибка (К): 3,8 дБ (А)

Модель HP401

Рівень звукового тиску (L_{pA}): 76 дБ (А)
Похибка (К): 2,4 дБ (А)

Рівень шуму під час роботи може перевищувати 80 дБ (А).

▲ ПОПЕРЕДЖЕННЯ: Користуйтеся засобами захисту органів слуху.

Вібрація

Загальна величина вібрації (векторна сума трьох напрямків) визначена згідно з EN60335-2-79:

Модель HP351

Вібрація (a_n): 4,11 м/с²
Похибка (К): 1,5 м/с²

Модель HP401

Вібрація (a_n): 4,86 м/с²
Похибка (К): 1,5 м/с²

ПРИМІТКА: Заявлене значення вібрації було виміряно відповідно до стандартних методів тестування та може використовуватися для порівняння одного інструмента з іншим.

ПРИМІТКА: Заявлене значення вібрації може також використовуватися для попередньої оцінки впливу.

▲ ПОПЕРЕДЖЕННЯ: Залежно від умов використання вібрація під час фактичної роботи електричного інструмента може відрізнятися від заявленого значення вібрації.

▲ ПОПЕРЕДЖЕННЯ: Забезпечте належні запобіжні заходи для захисту оператора, що відповідають умовам використання інструмента (слід брати до уваги всі складові робочого циклу, такі як час, коли інструмент вимкнено та коли він починає працювати на холостому ході під час запуску).

Декларація про відповідність стандартам ЄС

Тільки для країн Європи

Декларацію про відповідність стандартам ЄС наведено в Додатку А до цієї інструкції з експлуатації.

ПОПЕРЕДЖЕННЯ ПРО ДОТРИМАННЯ ТЕХНІКИ БЕЗПЕКИ

▲ ПОПЕРЕДЖЕННЯ: Прочитайте усі застереження стосовно техніки безпеки та всі інструкції. Недотримання попереджень та інструкцій може призвести до ураження електричним струмом, до виникнення пожежі та/або до отримання серйозних травм.

Збережіть усі інструкції з техніки безпеки та експлуатації на майбутнє.

Безпека робочого місця

1. Присутність сторонніх осіб у місці проведення робіт заборонена.
2. Не намагайтеся дотягнутися до віддалених місць і не ставайте на нестійкій поверхні. Завжди твердо стійте на ногах і тримайте рівновагу.
3. Завжди розташовуйте корпус мийки високого тиску на рівній і стійкій поверхні. Уникайте місць, де відпрацьована вода створюватиме потоки або калюжі.
4. Перед виконанням робіт перевіряйте оточення й об'єкти, які потрібно очистити. Дія струменів під високим тиском може спричинити відшарування фарби або іншого покриття поверхні, включаючи токсичні хімічні речовини. У разі потреби необхідно вжити превентивних заходів.
5. Будьте обережні, щоб не перечепитися за шнур або шланг мийки високого тиску. Завжди слідкуйте за положенням шнура й шланга під час роботи.

6. Під час використання з нижньої частини мийки високого тиску витікає невелика кількість води. Не розташовуйте мийку високого тиску в тих місцях, які потрібно зберегти сухими.

Особиста безпека

1. Для захисту від струменя й об'єктів, викинутих струменем, оператори повинні носити відповідний одяг, наприклад захисні чоботи, рукавички, шоломи з козирками, засоби захисту органів слуху тощо.
2. Не використовуйте мийку високого тиску в межах досяжності осіб, якщо вони не мають захисного одягу.
3. Щоб запобігти травмуванню, слід пильно наглядати за роботою пристрою, якщо поряд знаходяться діти.
4. Вода, що пройшла через зворотний клапан, вважається непридатною для пиття.

Електробезпека

1. У жодному разі не працюйте з мийкою високого тиску просто неба під дощем.
2. Не торкайтеся вилки або розетки мокрими руками.
3. Не слід користуватися пристроєм, якщо пошкоджені його шнур живлення або важливі компоненти, як-от захисне пристосування, шланги високого тиску чи пістолет.
4. Розетка має відповідати вилці пристрою. Жодним чином не слід змінювати форму вилки. Не користуйтеся жодними адаптерами для роботи з електроінструментами, для яких передбачено заземлення. Незмінена вилка та відповідна розетка мають знизити ризик ураження електричним струмом.
5. Використання невідповідних подовжувачів може становити небезпеку. Якщо використовується подовжувач, він має бути розрахований для експлуатації на відкритому повітрі, а його штепсельний з'єднувач має бути захищений від потрапляння води та ґрунту. Рекоменується з цією метою використовувати подовжувач на катушці, розетка якого розташовується щонайменше на відстані 60 мм над поверхнею землі.
6. У разі використання подовжувачів зверніть увагу на такі аспекти:
 - Використовуйте подовжувачі, призначені для використання на відкритому повітрі.
 - Використовуйте виключно подовжувачі, номінальні електричні характеристики яких не менші за характеристики пристрою.
 - Не використовуйте пошкоджені подовжувачі.
 - Перш ніж використовувати подовжувач, огляньте його й замініть у разі пошкодження.
 - Не переважуйте подовжувач і не тягніть за його шнур, щоб від'єднати.
 - Тримайте шнури подалі від джерела тепла й гострих предметів.

- Завжди від'єднуйте подовжувач від джерела живлення, перш ніж від'єднувати пристрій від подовжувача.

7. Усі роботи з забезпечення електроживлення мають виконуватися кваліфікованим персоналом і відповідати стандарту МЕК 60364-1. Рекоменується, щоб джерело живлення цього пристрою мало прилад захисного вимкнення, що припинить постачання живлення, якщо струм витіку на землю перевищить 30 мА протягом 30 мс, або прилад, який буде контролювати заземлювальний контур.

Експлуатація електроінструмента та догляд за ним

1. Перш ніж користуватися виробом, прочитайте всі інструкції.
2. Слід знати, як зупинити мийку високого тиску й швидко скинути тиск. Старанно вивчіть засоби керування.
3. Струмені високого тиску можуть становити небезпеку за умов неналежної експлуатації пристрою. Не слід спрямовувати струмінь на людей, увімкнені електроприлади й на самий пристрій.
4. Цей пристрій не призначений для використання дітьми та особами з обмеженими фізичними, сенсорними або розумовими можливостями, а також особами, яким не вистачає відповідних знань і досвіду.
5. Не допускайте, щоб діти гралися з інструментом.
6. Не розпилюйте займисті або токсичні речовини. Це може спричинити вибух, отруєння людей або пошкодження пристрою.
7. Не спрямовуйте струмінь на себе або на інших осіб, щоб очистити одяг чи взуття.
8. Шланги високого тиску, фітінги й муфти дуже важливі для безпечної роботи пристрою. Використовуйте виключно рекомендовані виробником шланги, фітінги й муфти.
9. Дотримуйтесь інструкцій із заміни приладдя.
10. Ручки повинні бути сухими, чистими й не забрудненими мастилом або жиром.
11. Залишайтеся уважними й пильнуйте за роботою.
12. Не працюйте з пристроєм, якщо ви втомилися або перебуваєте під дією алкоголю чи ліків.
13. Не використовуйте мийку високого тиску без води довше ніж одну хвилину. Інакше двигун може пошкодитися, що призведе до несправності пристрою.
14. Завжди вимикайте живлення й перекрийте постачання води, якщо мийка високого тиску залишається без нагляду.
15. Остерігайтесь віддачі. Пістолет-розпилювач відскокує, коли струмінь високого тиску відштовхується із сопла. Слід добре тримати пістолет у руках, щоб запобігти травмуванню.

16. Перед використанням перевірте пристрій на наявність пошкоджень або зношених деталей. Також переконайтеся, що шланг під'єднаний правильно і під час роботи пристрою немає витоків. Експлуатація пристрою з функціональними дефектами може спричинити аварію.
17. Цей пристрій призначений для використання виключно з миючими засобами, що постачаються або рекомендуються виробником. Використання інших миючих засобів чи хімічних речовин може негативно позначитись на безпеці експлуатації пристрою.
18. Не тягніть за шнур або за шланг для переміщення мийки високого тиску. Це може призвести до пошкодження шнура, шланга та сполучних частин, що спричинить ураження електричним струмом або функціональні дефекти.
19. Не ставте важкі предмети на шланг і слідкуйте, щоб він не потрапив під колеса автомобіля.
20. Завжди скидайте залишковий тиск у пістолеті перед тим, як від'єднувати шланг.
21. Підключайте шланг до водогону згідно з інструкціями компанії, що надає послуги водопостачання.

Обслуговування

1. Дотримуйтеся інструкцій з обслуговування, наведених у посібнику.
2. Щоб гарантувати безпечну роботу пристрою, використовуйте виключно оригінальні запасні частини, що постачаються або рекомендуються виробником.
3. Ремонт мийки високого тиску повинен здійснювати лише кваліфікований майстер із використанням лише стандартних деталей. Це забезпечить підтримання мийки високого тиску в належному стані.
4. У разі аварії або несправності мийки високого тиску, негайно вимкніть її й витягніть вилку з розетки. Зверніться до місцевої компанії-продавця або сервісного центру.

ЗБЕРІГАЙТЕ ЦІ ВКАЗІВКИ.

⚠ПОПЕРЕДЖЕННЯ: НІКОЛИ НЕ втрачайте пильності та не розслабляйтеся під час користування виробом (що можливо при частому користуванні); обов'язково строго дотримуйтеся відповідних правил безпеки.

НЕНАЛЕЖНЕ ВИКОРИСТАННЯ або недотримання правил техніки безпеки, викладених у цій інструкції з експлуатації, може призвести до серйозних травм.

ОПИС РОБОТИ

⚠ОБЕРЕЖНО: Перед тим як регулювати або перевіряти функціональність інструмента, обов'язково переконайтеся, що інструмент вимкнено й від'єднано від електромережі.

Перемикач живлення

УВАГА: Забороняється повертати перемикач живлення з застосуванням сили. Це може призвести до несправності перемикача.

Для моделі HP351

► **Рис.1:** 1. Положення OFF (ВИМК.) 2. Положення ON (УВИМК.)

Поверніть перемикач живлення за годинниковою стрілкою, щоб увімкнути мийку високого тиску.

Для моделі HP401

Поверніть перемикач живлення за годинниковою стрілкою або проти годинникової стрілки, залежно від необхідного рівня тиску. Поверніть перемикач живлення за годинниковою стрілкою, щоб вибрати режим високого тиску, або проти годинникової стрілки, щоб вибрати режим низького тиску.

► **Рис.2:** 1. Режим низького тиску 2. Положення OFF (ВИМК.) 3. Режим високого тиску

Функції насадок

Регульована насадка розпилювач (Vario-Power)

► **Рис.3**

Тиск струменя можна регулювати, обертаючи насадку.

⚠ОБЕРЕЖНО: Під час регулювання тиску струменя не обертуйте насадку, одночасно підтягуючи її в бік пістолета-розпилювача. Насадка може від'єднатись і завдати тілесних ушкоджень.

Фреза для бруду

► **Рис.4**

Формує спіральний струмінь. Підходить для змивання стійкого бруду.

УВАГА: Не використовуйте фрезу для бруду для очищення тендітних поверхонь, таких як вікно або кузов автомобіля.

Розпилювач піни

► **Рис.5**

Миючий засіб може розпилюватися у вигляді піни.

Використання пістолета-розпилювача

Натисніть на пусковий важіль пістолета-розпилювача, щоб створити струмінь води. Струмінь виштовхується, поки важіль натиснутий.

Пусковий важіль можна заблокувати для кращого керування пістолетом. Щоб заблокувати важіль, витягніть стопор і приєднайте його до паза на рукоятці.

► **Рис.6:** 1. Стопор 2. Паз

УВАГА: Щоб уникнути механічних помилок у реле тиску, завжди робіть паузу щонайменше у дві секунди між натисканнями важеля.

Запобіжний клапан

Цей пристрій оснащений запобіжним клапаном для скидання надлишкового тиску. Якщо відпустити пусковий важіль пістолета-розпилювача, клапан відкриється, і відбудеться рециркуляція води через вхідний патрубок насоса.

⚠ОБЕРЕЖНО: Не слід втручатися в роботу запобіжного клапана або регулювати його параметри.

Котушка зі шлангом

Лише для моделі HP401

Щоб розмотати шланг, спочатку витягніть його кінець із фіксатора. Відкрийте ручку й обертайте нею за годинниковою стрілкою. Під час експлуатації мийки високого тиску завжди розмотуйте шланг до кінця.

► **Рис.7:** 1. Котушка зі шлангом 2. Ручка 3. Кінець шланга

Щоб змотати шланг, обертайте ручку проти годинникової стрілки й зафіксуйте кінець шланга.

► **Рис.8:** 1. Фіксатор 2. Ручка

Подача води з бака або резервуара

Додаткове приладдя

Замість крана воду можна подавати з бака або резервуара.

Замініть з'єднувач шланга на комплект для всмоктування (допоміжне приладдя). Щоб підключити комплект для всмоктування, від'єднайте корпус фільтра зі шланга та прикріпіть його до вхідного отвору на мийці високого тиску. Потім підключіть шланг до корпусу фільтра.

► **Рис.9:** 1. Бак або резервуар 2. Комплект для всмоктування 3. З'єднувач шланга 4. Шланг 5. Корпус фільтра 6. Вхідний отвір на мийці високого тиску

УВАГА: Використовуйте тільки комплект для всмоктування виробництва компанії Makita.

УВАГА: Рівень води в резервуарі не повинен бути нижче отвору на мийці більше ніж на 1,0 м (3,28 футів). Інакше мийка високого тиску не зможе закачати воду в насос.

Щоб подати воду в шланг, зніміть насадку з пістолета-розпилювача й увімкніть мийку високого тиску, тримаючи пусковий важіль натиснутим. Після отримання постійного струменя відпустіть важіль і прикріпіть на пістолет потрібну насадку.

► **Рис.10:** 1. Пістолет-розпилювач

ПРИМІТКА: Коли вода не надходить, від'єднайте комплект для всмоктування й замочіть його у воді. Потім знову приєднайте його до мийки високого тиску.

► **Рис.11:** 1. Комплект для всмоктування

ЗБОРКА

⚠ОБЕРЕЖНО: Перед виконанням будь-яких робіт з інструментом обов'язково вимкніть його та відключіть від електромережі.

Збирання ручки для перенесення

Лише для моделі HP351

1. З'єднайте передню й задню половинки ручки, поєднавши отвори для гвинтів на корпусі мийки високого тиску.

► **Рис.12:** 1. Передня половинка ручки 2. Задня половинка ручки 3. Корпус мийки високого тиску

2. Закріпіть ручку для перенесення за допомогою гвинтів (7 шт.).

► **Рис.13**

Підключення шланга високого тиску

Лише для моделі HP351

Підключіть шланг високого тиску до вихідного отвору (з позначкою пістолета-розпилювача). Обертайте гайку на шлангу високого тиску за годинниковою стрілкою, накручуючи її на роз'єм вихідного отвору.

► **Рис.14:** 1. Вихідний отвір 2. Гайка

⚠ОБЕРЕЖНО: Переконайтеся, що шланг високого тиску під'єднаний надійно. Слабке з'єднання може стати причиною різкого від'єднання шланга високого тиску, що призведе до травмування.

Під'єднання пістолета-розпилювача

Підключіть шланг високого тиску до вхідного отвору на пістолеті-розпилювачі. Обертайте гайку на шлангу високого тиску за годинниковою стрілкою, накручуючи її на роз'єм вхідного отвору.

► **Рис.15:** 1. Вхідний отвір 2. Гайка

⚠ОБЕРЕЖНО: Переконайтеся, що шланг високого тиску під'єднаний надійно. Слабке з'єднання може стати причиною різкого від'єднання шланга високого тиску, що призведе до травмування.

Підключення до крана

⚠ОБЕРЕЖНО: Завжди використовуйте шланг подачі води високого тиску діаметром $\varnothing 13$ мм або більше та з'єднуйте його з краном за допомогою належних фітінгів. В іншому випадку шланг для води або фітінги можуть пошкодитися, що призведе до травмування.

УВАГА: Використовуйте якомога коротший шланг подачі води високого тиску. Кількість води, що всмоктується, повинна бути вище, ніж максимальна витрата рідини для насоса.

УВАГА: При підключенні до водогону з питною водою використовуйте зворотний клапан, який відповідає нормам законодавства, що діють у вашому регіоні.

Приготуйте шланг подачі води високого тиску. Приєднайте з'єднувальну муфту до одного кінця, а інший кінець — до крана в такий спосіб.

1. Зніміть гайку на з'єднувальній муфті й просуньте шланг подачі води високого тиску крізь гайку. Вставте кінець шланга в з'єднувальну муфту, а потім затягніть гайку.

► **Рис.16:** 1. Шланг подачі води високого тиску 2. Гайка з'єднувальної муфти 3. З'єднувальна муфта

ПРИМІТКА: Якщо для підключення шланга подачі води високого тиску до крана використовується з'єднувальна муфта, приєднайте її до обох кінців шланга.

2. Підключіть шланг подачі води високого тиску до крана. Використовуйте відповідні фітинги, як-от ремінець шланга або муфта для крана, щоб під'єднати кінець шланга до крана.

► **Рис.17:** 1. Ремінець шланга 2. Муфта для крана 3. Шланг подачі води високого тиску

ПРИМІТКА: Вибір фітингів залежить від форми крана, до якого здійснюється підключення. Підготуйте відповідні фітинги (купуються окремо).

3. Приєднайте роз'єм шланга подачі води до вхідного отвору (з позначкою крана), а потім вставте з'єднувальну муфту.

► **Рис.18:** 1. З'єднувальна муфта 2. З'єднувач шланга 3. Вхідний отвір

Під'єднання та від'єднання насадок

▲ОБЕРЕЖНО: Під час під'єднання й від'єднання насадки завжди блокуйте важіль пістолета-розпилювача.

Вставте кінець насадки в отвір на пістолеті-розпилювачі й поверніть її в напрямку стрілки, як показано на малюнку. Щоб від'єднати насадку, поверніть її в зворотному напрямку, натискаючи в бік пістолета-розпилювача.

► **Рис.19:** 1. Пістолет-розпилювач 2. Проріз 3. Кінець насадки

Деякі додаткові насадки вимагають використання з'єднувальної муфти (допоміжне приладдя) для кріплення до пістолета-розпилювача. Приєднайте з'єднувальну муфту до пістолета-розпилювача таким самим способом, що й насадку.

► **Рис.20:** 1. Насадка 2. З'єднувальна муфта 3. Пістолет-розпилювач

ПРИМІТКА: З'єднувальна муфта необхідна, якщо використовується насадку з комплекту іншої моделі, НР-350 або НР-400.

Підключення розпилювача піни

▲ОБЕРЕЖНО: Під час під'єднання й від'єднання насадки завжди блокуйте важіль пістолета-розпилювача.

Перед використанням розпилювача піни підготуйте миючий засіб.

1. Відкрутіть сопло від бачка, обертаючи сопло проти годинникової стрілки. Під'єднайте насадку до пістолета-розпилювача.

► **Рис.21:** 1. Насадка 2. Пістолет-розпилювач

2. Налийте миючий засіб у бачок і встановіть у нього сопло.

► **Рис.22:** 1. Бачок

УВАГА: Завжди використовуйте нейтральний миючий засіб. Кислотний або лужний миючий засіб можуть пошкодити бачок або насадку.

РОБОТА

▲ПОПЕРЕДЖЕННЯ: Не торкайтеся до струменя води та не спрямовуйте його на себе або на інших осіб. Струмień води може становити небезпеку для вас і інших людей.

▲ПОПЕРЕДЖЕННЯ: Під час чищення об'єкта струменем води в жодному разі не тримайте об'єкт, а також не розташовуйте руки й ноги поблизу струменя води.

▲ОБЕРЕЖНО: Остерігайтесь рикошету струменя води й об'єктів, відбитих струменем. Не наближайтесь до насадки на відстань ближче ніж 30 см.

▲ОБЕРЕЖНО: Не використовуйте мийку високого тиску без води довше ніж 1 хвилину.

▲ОБЕРЕЖНО: Не використовуйте мийку високого тиску протягом тривалого часу. Це може спричинити перегрів або пожежу. Крім того, тривале використання пристрою може викликати вібраційну хворобу.

▲ОБЕРЕЖНО: Беріть до уваги напрямок вітру. Якщо миючий засіб потрапив в очі або рот, промийте їх чистою водою й у разі потреби негайно зверніться до лікаря.

УВАГА: Не використовуйте мийку високого тиску довше ніж 1 годину. Після використання мийки протягом 1 години зробіть паузу на такий самий час.

1. З'єднайте кінець шланга високого тиску з пістолетом-розпилювачем. Для моделі НР351 під'єднайте інший кінець до мийки високого тиску. Для моделі НР401 розмотайте шланг до кінця.

2. Підключіть мийку високого тиску до крана, а потім відкрийте кран.

► **Рис.23**

УВАГА: Для захисту механізму мийки високого тиску не використовуйте воду з температурою вище 40° С.

3. Підключіть мийку високого тиску до електромережі й увімкніть її.

► **Рис.24:** 1. Перемикач живлення

4. Щоб створити струмінь води, сховайте стопор і натисніть на пусковий важіль. Струмінь виштовхується, поки важіль натиснутий.

► **Рис.25:** 1. Стопор

⚠ОБЕРЕЖНО: Слід міцно тримати пістолет-розпилювач у руках. Пістолет-розпилювач відскакує, коли натискається пусковий важіль.

⚠ОБЕРЕЖНО: Під час роботи завжди тримайте пістолет-розпилювач за рукоятку й виступи на його корпусі. Якщо двигун працює, не торкайтеся до будь-якої частини корпусу мийки високого тиску, крім ручки для перенесення й перемикача живлення.

УВАГА: Під час роботи не тягніть за пістолет-розпилювач із надмірною силою. Це може призвести до падіння мийки високого тиску.

Після експлуатації

⚠ОБЕРЕЖНО: Після експлуатації обов'язково проведіть процедуру, описану в цьому посібнику. Залишковий тиск у пістолеті-розпилювачі або в мийці високого тиску може призвести до травмування людини або до пошкодження насоса.

1. Після завершення роботи не вимикайте перемикач живлення.

2. Закрийте кран і від'єднайте шланг від мийки високого тиску.

► **Рис.26**

3. Натискайте на важіль, поки не витече вода, що залишилася в мийці високого тиску.

Двигун не повинен працювати довше ніж 1 хвилину.

► **Рис.27**

4. Вимкніть мийку високого тиску й від'єднайте її від електромережі.

► **Рис.28:** 1. Перемикач живлення

5. Від'єднайте шланг високого тиску від пістолета-розпилювача.

► **Рис.29:** 1. Пістолет-розпилювач 2. Шланг високого тиску

Для моделі НР351 також від'єднайте шланг високого тиску від мийки високого тиску.

► **Рис.30:** 1. Шланг високого тиску

Для моделі НР401 змотайте шланг і закріпіть його кінець.

► **Рис.31:** 1. Фіксатор 2. Ручка

УВАГА: Для того щоб запобігти пошкодженню шланга високого тиску, видаліть воду, що залишилася в ньому.

ТЕХНІЧНЕ ОБСЛУГОВУВАННЯ ТА ЗБЕРІГАННЯ

⚠ОБЕРЕЖНО: Перед тим як проводити огляд або технічне обслуговування інструмента, переконайтеся, що його вимкнено і від'єднано від мережі.

УВАГА: Ніколи не використовуйте газолін, бензин, розріджувач, спирт та подібні речовини. Їх використання може призвести до зміни кольору, деформації або появи тріщин.

Чищення насадки

Використовуйте спицю для очищення, щоб видалити бруд або прочистити сопло насадки.

► **Рис.32:** 1. Шпилька для чищення

УВАГА: Не прикладайте надмірної сили під час видалення бруду або сміття. Це може спричинити травмування людини або пошкодження отвору насадки, що вплине на кут струменя або погіршить ефективність.

Чистка фільтра

Від'єднайте з'єднувач шланга й видаліть бруд і сміття з внутрішньої частини фільтра.

► **Рис.33:** 1. З'єднувач шланга 2. Фільтр 3. Ущільнювальне кільце

При використанні комплекту для всмоктування (допоміжне приладдя), вилучіть фільтр із корпусу й видаліть бруд і сміття.

► **Рис.34:** 1. Фільтр 2. Корпус фільтра

ПРИМІТКА: Для підтримки оптимальних робочих характеристик періодично чистьте фільтр.

Зберігання

Змотайте шланг і шнур. Помістіть пістолет-розпилювач і насадки в чохлах.

НР351

► **Рис.35**

НР401

► **Рис.36**

⚠ОБЕРЕЖНО: Завжди зберігайте обладнання в закритому місці, де температура не опускається нижче нуля. Якщо мийка високого тиску замерзне й припинить працювати належним чином, зверніться до найближчого сервісного центру для ремонту.

⚠ОБЕРЕЖНО: Завжди використовуйте ручку для перенесення мийки високого тиску. Не піднімайте її за шланг або за шнур. Шланг або шнур можуть пошкодитися.

⚠ОБЕРЕЖНО: Не переносьте мийку високого тиску, якщо шланг або шнур повністю не змотані. Довгий шланг або шнур можуть пошкодитися або переплестися з іншими предметами, що призведе до травмування людини або пошкодження обладнання.

Для забезпечення БЕЗПЕКИ та НАДІЙНОСТІ продукції, її ремонт, а також роботи з обслуговування або регулювання повинні виконуватись уповноваженими або заводськими сервісними центрами Makita із використанням запчастин виробництва компанії Makita.

УСУНЕННЯ НЕСПРАВНОСТЕЙ

Перш ніж звертатися з приводу ремонту інструмента, проведіть його перевірку самостійно. У разі виявлення несправності, яку не описано в цьому посібнику, не намагайтеся розібрати інструмент.

Натомість зверніться до авторизованих сервісних центрів Dolmar та використовуйте для ремонту тільки запасні частини виробництва компанії Dolmar.

Стан відхилення від норми	Можлива причина (несправність)	Спосіб виправлення
Мийка не вмикається.	Відсутнє живлення	Підключіть вилку до розетки електромережі. Також перевірте, чи постачається напруга живлення в електромережу.
	Перемикач живлення знаходиться у вимкненому положенні.	Увімкніть перемикач живлення.
	Залишковий тиск у насосі	Натисніть на пусковий важіль.
	Пошкодження шнура живлення або електромережі	Зверніться до авторизованого сервісного центру для проведення ремонту.
Струмінг води відсутній або слабкий	Відсутнє постачання води	Переконайтеся, що кран відкритий. Якщо використовується комплект для всмоктування, подайте воду в шланг.
	Постачання води недостатнє	Увімкніть кран.
	Погане з'єднання шланга подачі води	Перевірте з'єднання між шлангом, краном і вхідним отвором на мийці високого тиску.
	Засмічений шланг, фільтр або насадка	Прочистіть шланг, фільтр або насадка.
	Повітря блокує потік води.	Вимкніть перемикач живлення, а потім увімкніть його знову, натискаючи на пусковий важіль.
	Пошкоджена або зношена насадка	Замініть насадку.
	Насос або клапан несправні	Зверніться до авторизованого сервісного центру для проведення ремонту.
Нестабільний струмінь води.	Засмічена насадка	Прочистіть на випускний отвір насадки, використовуючи спицю для очищення.
	Всмоктування води недостатнє	Перевірте шланг, починаючи від крана, на наявність витоків або засмічення. Увімкніть кран.
	Вода занадто гаряча.	Зменште температуру води.
	Несправний клапан	Зверніться до авторизованого сервісного центру для проведення ремонту.
Незвичайний звук.	Вода занадто гаряча.	Зменште температуру води.
	Повітря в насосі.	Зверніться до авторизованого сервісного центру для проведення ремонту.
Витікання води або мастила.	Погане з'єднання	Перевірте з'єднання між шлангом високого тиску, пістолетом-розпилювачем і мийкою високого тиску.
	Зношені ущільнювальні прокладки	Зверніться до авторизованого сервісного центру для проведення ремонту.
Насос не працює, хоча чути звук двигуна.	Використовується подовжувач, який не відповідає вимогам.	Використовуйте подовжувач, номінальні електричні характеристики якого відповідають характеристикам пристрою.

ДОДАТКОВЕ ПРИЛАДДЯ

⚠ОБЕРЕЖНО: Це додаткове та допоміжне обладнання рекомендується використовувати з інструментом Dolmar відповідно до цього посібника з використання. Використання будь-якого іншого додаткового та допоміжного обладнання може мати ознаки ризику отримання травми. Використовуйте додаткове та допоміжне обладнання лише за заявленим призначенням.

У разі необхідності отримати допомогу для докладнішого ознайомлення з оснащенням звертайтеся до місцевого сервісного центру Dolmar.

ПРИМІТКА: Деякі елементи списку можуть входити до комплекту інструмента як стандартне приладдя. Вони можуть відрізнитися залежно від країни.

Регульована насадка-розпилювач

► Рис.37

Ширина струменя може регулюватися в діапазоні від 0° до 25° шляхом обертання переднього кінця сопла.

⚠ОБЕРЕЖНО: Під час регулювання ширини струменя не обертуйте насадку, одночасно підтягуючи її в бік пістолета-розпилювача. Насадка може від'єднатись і завдати тілесних ушкоджень.

Насадка зі щіткою (довга)

► Рис.38

Насадка-розпилювач, обладнана щіткою. Корисно для вимивання бруду з одночасним очищенням щіткою.

Комплект для всмоктування

► Рис.39

Замініть шланг на цей комплект для подачі води з бака або резервуара.

Насадка зі щітками, що обертаються

► Рис.40

Під час викидання струменя три щітки всередині насадки повільно обертаються. Підходить для очищення легкого бруду з зовнішніх стін, автомобільних кузовів, ванних тощо.

Насадки-подовжувачі

► Рис.41

Трубки для збільшення довжини пістолета-розпилювача. Довжина насадки регулюється шляхом встановлення до трьох трубок.

Кутова насадка-розпилювач

► Рис.42

Розпилювач із довгою трубою й кутовим соплом. Найкраще підходить для очищення важкодоступних місць, як-от днище автомобіля або ринна на даху.

⚠ОБЕРЕЖНО: Не використовуйте кутову насадку-розпилювач із насадками-подовжувачами.

Захист від розбризкування

► Рис.43

Зменшує кількість бризок під час очищення кутів за допомогою фрези для бруду.

Поворотний з'єднувач

► Рис.44

Запобігає скручуванню шланга високого тиску.

З'єднувальна муфта

► Рис.45

З'єднувач для під'єднання насадки від іншої моделі.

ПРИМІТКА: З'єднувальна муфта необхідна, якщо використовується насадка з комплекту іншої моделі, НР-350 або НР-400.

Комплект для очищення труб (10 або 15 м)

► Рис.46

Для очищення й пробивання засмічень водопровідних труб та стояків.

⚠ОБЕРЕЖНО: Будьте особливо уважні, контролюючи струмінь води під час роботи з комплектом для очищення труб. Назад викидається дуже потужний струмінь води.

Шланг-подовжувач високого тиску (5, 8 або 10 м)

► Рис.47

Шланг-подовжувач для з'єднання мийки високого тиску з пістолетом-розпилювачем.

AVERTIZARE

- Mașinile nu vor fi utilizate de copii. Copiii trebuie supravegheați pentru a vă asigura că nu se joacă cu mașina.
- Această mașină nu este destinată utilizării de către persoane (inclusiv copii) cu capacități fizice, senzoriale sau mentale reduse sau cu lipsă de experiență și cunoștințe.
- Această mașină a fost concepută pentru utilizare cu agentul de curățare furnizat sau cu cel recomandat de către producător. Utilizarea altor agenți de curățare sau a altor substanțe de curățare poate afecta în mod negativ siguranța mașinii.
- Jeturile de presiune ridicată pot fi periculoase dacă sunt manipulate incorect. Jetul nu trebuie orientat spre persoane, echipamente electrice aflate sub tensiune sau spre mașină.
- Nu utilizați mașina în raza de acțiune a persoanelor, dacă acestea nu poartă îmbrăcăminte de protecție.
- Nu direcționați jetul spre dumneavoastră sau spre alte persoane, în scopul de a curăța îmbrăcăminte sau încălțăminte.
- Risc de explozie – Nu pulverizați lichide inflamabile.
- Dispozitivele de curățare cu presiune ridicată nu vor fi utilizate de către copii sau personal neinstruit.
- Furtunurile, fittingurile și cuplajele de presiune ridicată sunt importante pentru siguranța mașinii. Utilizați numai furtunurile, fittingurile și cuplajele recomandate de către producător.
- Pentru a garanta siguranța mașinii, utilizați numai piese de schimb originale de la producător sau cele aprobate de către producător.
- Asigurați-vă că ați oprit mașina și că ați deconectat-o de la rețea înainte de a efectua orice intervenție asupra mașinii.
- Nu utilizați mașina în cazul în care cablul de alimentare sau anumite componente importante ale mașinii sunt avariate, de ex., dispozitivele de siguranță, furtunurile de presiune ridicată, pistolul declanșator.
- Cablurile prelungitoare necorespunzătoare pot fi periculoase. Dacă se utilizează un cablu prelungitor, acesta trebuie să fie adecvat pentru utilizare în exterior, iar conexiunea trebuie menținută uscată și fără a fi în contact cu solul. Se recomandă obținerea acestui lucru prin intermediul unui tambur de cablu care menține priza cel puțin la 60 mm deasupra solului.

- Întotdeauna opriți comutatorul de deconectare a rețelei de alimentare atunci când lăsați mașina nesupravegheată.
- Respectați cerințele companiei locale de alimentare cu apă.
- Pentru țările europene:
În conformitate cu EN12729 (BA), dispozitivul poate fi conectat și la rețeaua de alimentare cu apă potabilă dacă pe furtunul de alimentare este instalată o supapă antireflux.

SPECIFICAȚII

Model:		HP351	HP401
Debit maxim de alimentare		7,0 l/min	7,5 l/min
Debit apă		5,5 l/min	6,0 l/min
Presiune max. admisă		12 MPa (120 bar)	13 MPa (130 bar)
Presiune de lucru	Mod ridicat	10 MPa (100 bar)	11 MPa (110 bar)
	Mod scăzut	-	8 MPa (80 bar)
Presiune max. de alimentare		1 MPa (10 bar)	
Temperatură max. de alimentare		40 °C	
Înălțime max. de aspirație		1,0 m	
Dimensiuni (L x l x H)		292 mm x 358 mm x 830 mm	
Greutate		11,0 kg	12,7 kg
Protecție motor		IPX5	

- Datorită programului nostru continuu de cercetare și dezvoltare, specificațiile pot fi modificate fără o notificare prealabilă.
- Specificațiile pot varia în funcție de țară.
- Greutatea este specificată conform procedurii EPTA 01/2003

Simboluri

Mai jos sunt prezentate simbolurile de pe echipament. Asigurați-vă că înțelegeți sensul acestora înainte de utilizare.



Citiți manualul de utilizare.



Acordați atenție și grijă deosebită.



IZOLAȚIE DUBLĂ



Doar pentru țările din cadrul UE
Nu aruncați aparatele electrice în gunoii menajeri! În conformitate cu Directiva europeană privind deșeurile de echipamente electrice și electronice și implementarea sa conform legislației naționale, echipamentele electrice care au ajuns la sfârșitul duratei de viață trebuie colectate separat și reciclate corespunzător în vederea protecției mediului.



Nu orientați jetul spre persoane, inclusiv spre dumneavoastră, animale și echipamente electrice aflate sub tensiune.



Neadecvat pentru conexiune la rețeaua de apă potabilă.

Destinația de utilizare

Această unealtă este destinată curățării impurităților dificile prin intermediul unui jet de apă. Această unealtă este destinată uzului casnic.

Sursă de alimentare

Mașina trebuie conectată numai la o sursă de alimentare cu curent alternativ monofazat, cu tensiunea egală cu cea indicată pe plăcuța de identificare a mașinii. Acestea au o izolație dublă și, drept urmare, pot fi utilizate de la prize fără împământare.

Pentru sisteme publice de distribuție a energiei electrice de joasă tensiune între 220 V și 250 V

Operațiile de comutare ale aparatului electric generează fluctuații ale tensiunii. Funcționarea acestui dispozitiv în condiții de alimentare electrică nefavorabile poate afecta funcționarea altor echipamente. Cu o impedanță a rețelei electrice mai mică de 0,25 Ohmi, se poate presupune că nu vor exista efecte negative. Priza de alimentare folosită pentru acest dispozitiv trebuie să fie protejată cu o siguranță fuzibilă sau un întrerupător de protecție cu caracteristică de declanșare lentă.

Zgomot

Nivelul de zgomot normal ponderat A determinat în conformitate cu EN60335-2-79:

Model HP351

Nivel de presiune acustică (L_{pA}): 72 dB(A)
Marjă de eroare (K): 3,8 dB(A)

Model HP401

Nivel de presiune acustică (L_{pA}): 76 dB(A)
Marjă de eroare (K): 2,4 dB(A)

Nivelul de zgomot în timpul funcționării poate depăși 80 dB (A).

⚠️ AVERTIZARE: Purtați echipament de protecție pentru urechi.

Vibrații

Valoarea totală a vibrațiilor (suma vectorilor tri-axiali) determinată conform EN60335-2-79:

Model HP351

Emisie de vibrații (a_h): 4,11 m/s^2
Marjă de eroare (K): 1,5 m/s^2

Model HP401

Emisie de vibrații (a_h): 4,86 m/s^2
Marjă de eroare (K): 1,5 m/s^2

NOTĂ: Nivelul de vibrații declarat a fost măsurat în conformitate cu metoda de test standard și poate fi utilizat pentru compararea unei unelte cu alta.

NOTĂ: Nivelul de vibrații declarat poate fi, de asemenea, utilizat într-o evaluare preliminară a expunerii.

⚠️ AVERTIZARE: Nivelul de vibrații în timpul utilizării efective a unei unelte electrice poate diferi de valoarea nivelului declarat, în funcție de modul în care uneltea este utilizată.

⚠️ AVERTIZARE: Asigurați-vă că identificați măsurile de siguranță pentru a proteja operatorul, acestea fiind bazate pe o estimare a expunerii în condiții reale de utilizare (luând în considerare toate părțile ciclului de operare, precum timpii în care uneltea a fost oprită, sau a funcționat în gol, pe lângă timpul de declanșare).

Declarație de conformitate CE

Numai pentru țările europene

Declarația de conformitate CE este inclusă ca Anexa A în acest manual de instrucțiuni.

AVERTIZĂRI DE SIGURANȚĂ

⚠️ AVERTIZARE: Citiți toate avertismentele de siguranță și toate instrucțiunile. Nerespectarea acestor avertismente și instrucțiuni poate avea ca rezultat electrocutarea, incendiul și/sau rănirea gravă.

Păstrați toate avertismentele și instrucțiunile pentru consultări ulterioare.

Siguranța zonei de lucru

1. **Asigurați-vă că toate persoanele sunt în afara zonei de lucru.**
2. **Păstrați o distanță adecvată sau nu stați pe suporturi instabile. Mențineți-vă permanent echilibrul și sprijiniți-vă ferm pe picioare.**
3. **Întotdeauna puneți corpul dispozitivului de spălare cu presiune ridicată pe o suprafață plată și stabilă. Evitați zonele în care apa evaporată va curge sau se va acumula.**
4. **Înainte de curățare, verificați împrejurimile și obiectele care vor fi curățate. Jeturile de presiune ridicată pot decoji vopseaua sau alte straturi de tratament de suprafață ce includ substanțe chimice toxice. Luați măsurile preventive necesare.**
5. **Aveți grijă să nu vă împiedicați de cablul sau de furtunul dispozitivului de spălare cu presiune ridicată. Întotdeauna luați în considerare disponibilitatea cablului și a furtunului în timpul funcționării.**
6. **În timpul utilizării, o cantitate redusă de apă va ieși din partea inferioară a dispozitivului de curățare cu presiune ridicată. Evitați amplasarea dispozitivului de curățare cu presiune ridicată în zonele care nu doriți să se ude.**

Siguranța personală

1. **Pentru a se proteja împotriva jetului și a obiectelor propulsate de jet, operatorii trebuie să poarte îmbrăcăminte corespunzătoare, precum încălțăminte de protecție, mănuși de protecție, căști de protecție cu vizor, protecție auditivă etc.**
2. **Nu utilizați dispozitivul de curățare cu presiune ridicată în raza de acțiune a persoanelor, dacă acestea nu poartă îmbrăcăminte de protecție.**
3. **Pentru a reduce riscul de rănire, utilizarea produsului în apropierea copiilor trebuie supravegheată îndeaproape.**
4. **Apa care a curs prin clapeta antiretur este considerată a fi nepotabilă.**

Siguranța electrică

1. **Nu utilizați niciodată dispozitivul de curățare cu presiune ridicată în exterior, în ploaie.**
2. **Nu atingeți niciodată fișa de alimentare de la rețea și/sau priza cu mâinile ude.**
3. **Nu utilizați mașina în cazul în care cablul de alimentare sau anumite componente importante ale mașinii sunt avariate, de ex., dispozitivele de siguranță, furtunurile de presiune ridicată sau pistolul declanșator.**
4. **Fișa trebuie să se potrivească la prize. Nu modificați niciodată fișele, sub nicio formă. Nu folosiți o fișă cu adaptor pentru uneltele cu împământare. Fișele nemodificate și prizele corespunzătoare reduc riscul de electrocutare.**
5. **Cablurile prelungitoare necorespunzătoare pot fi periculoase. Dacă se utilizează un cablu prelungitor, acesta trebuie să fie adecvat pentru utilizare în exterior, iar conexiunea trebuie menținută uscată și fără a fi în contact cu solul. Se recomandă obținerea acestui lucru prin intermediul unui tambur de cablu care menține priza cel puțin la 60 mm deasupra solului.**

6. La utilizarea cablurilor prelungitoare, luați în considerare următoarele:
 - Utilizați numai cabluri prelungitoare care sunt destinate utilizării în exterior.
 - Utilizați numai cabluri prelungitoare cu valori electrice nominale egale cu sau mai mari decât valorile nominale ale produsului.
 - Nu utilizați cabluri prelungitoare deteriorate.
 - Examinați cablurile prelungitoare înainte de utilizare și înlocuiți-le dacă acestea sunt avariate.
 - Nu manipulați cablurile prelungitoare în mod agresiv și nu trageți cu putere de acestea pentru a le deconecta.
 - Țineți cablurile departe de sursele de căldură și de muchiile tăioase.
 - Întotdeauna deconectați cablul prelungitor de la priză înainte de a deconecta produsul de la cablul prelungitor.

7. Conexiunea de alimentare cu electricitate va fi realizată de un electrician calificat și va respecta standardul IEC 60364-1. Se recomandă ca alimentarea electrică a acestei mașini să includă fie un dispozitiv de curent rezidual care va întrerupe alimentarea în cazul în care curentul de scurgere la pământ depășește 30 mA timp de 30 ms, fie un dispozitiv care va testa circuitul de împământare.

Utilizarea și îngrijirea mașinilor electrice

1. Citiți toate instrucțiunile înainte de utilizarea produsului.
2. Familiarizați-vă cu acțiunea de oprire a dispozitivului de spălare cu presiune ridicată și de purjare rapidă a presiunilor. Familiarizați-vă în totalitate cu comenzile.
3. Jeturile de presiune ridicată pot fi periculoase dacă sunt utilizate incorect. Jetul nu trebuie orientat spre persoane, echipamente electrice aflate sub tensiune sau spre mașină.
4. Această mașină nu este destinată utilizării de către persoane (inclusiv copii) cu capacități fizice, senzoriale sau mentale reduse sau cu lipsă de experiență și cunoștințe.
5. Copiii trebuie supravegheați pentru a vă asigura că nu se joacă cu echipamentul.
6. Nu pulverizați lichide inflamabile și/sau toxice. Aceasta poate cauza o explozie, intoxicare sau defectarea mașinii.
7. Nu direcționați jetul spre dumneavoastră sau spre alte persoane, în scopul de a curăța îmbrăcămintea sau încălțăminte.
8. Furtunurile, fittingurile și cuplajele de presiune ridicată sunt importante pentru siguranța mașinii. Utilizați numai furtunurile, fittingurile și cuplajele recomandate de către producător.
9. Respectați instrucțiunile pentru schimbarea accesoriilor.
10. Mențineți mânerul uscat, curat și fără ulei sau unsoare.
11. Fiți în alertă – lucrați întotdeauna cu atenție.
12. Nu utilizați produsul dacă sunteți obosit sau sub influența băuturilor alcoolice sau a drogurilor.

13. Nu utilizați dispozitivul de curățare cu presiune ridicată fără apă timp de mai mult de un minut. Această acțiune va deteriora motorul, rezultând în defecțiuni.
14. Întotdeauna întrerupeți alimentarea electrică și alimentarea cu apă atunci când lăsați nesupravegheat dispozitivul de curățare cu presiune ridicată.
15. Luați în considerare reculul. Pistolul declanșator reculează atunci când jetul de apă de presiune ridicată este eliminat cu putere din duză. Țineți ferm pistolul declanșator, pentru a preveni leziunile accidentale.
16. Înainte de utilizare, verificați dacă există componente deteriorate sau uzate. De asemenea, asigurați-vă că furtunul este conectat corect și că nu există scurgeri în timpul funcționării. Utilizarea mașinii cu defecte funcționale poate cauza accidente.
17. Această mașină a fost concepută pentru utilizare cu agentul de curățare furnizat sau cu cel recomandat de către producător. Utilizarea altor agenți de curățare sau a altor substanțe de curățare poate afecta în mod negativ siguranța mașinii.
18. Nu trageți de cablu și/sau de furtun pentru a muta corpul dispozitivului de curățare cu presiune ridicată. Această acțiune va avaria cablul, furtunul și piesele de conectare și va rezulta în scurtcircuit sau defecte funcționale.
19. Nu puneți obiecte grele pe furtun sau nu permiteți vehiculelor să treacă peste acesta.
20. Întotdeauna evacuați presiunea reziduală din pistolul declanșator înainte de a deconecta furtunul.
21. Atunci când conectați furtunul la rețeaua de alimentare cu apă, respectați instrucțiunile departamentului sau companiei locale de distribuție a apei.

Service

1. Respectați instrucțiunile de întreținere incluse în manual.
2. Pentru a garanta siguranța mașinii, utilizați numai piese de schimb originale de la producător sau cele aprobate de către producător.
3. Dispozitivul de curățare cu presiune ridicată trebuie să fie reparat de un expert, folosind piese identice de schimb. Astfel, se menține siguranța dispozitivului de curățare cu presiune ridicată.
4. În cazul în care dispozitivul de curățare cu presiune ridicată se defectează, opriți-l imediat și scoateți fișa de alimentare electrică. Vă rugăm să contactați reprezentantul sau centrul local de service.

PĂSTRAȚI ACESTE INSTRUCȚIUNI.

⚠️ AVERTIZARE: NU permiteți comodității și familiarizării cu produsul (obținute prin utilizare repetată) să înlocuiască respectarea strictă a normelor de securitate pentru acest produs.

FOLOSIREA INCORECTĂ sau nerespectarea normelor de securitate din acest manual de instrucțiuni poate provoca vătămări corporale grave.

DESCRIEREA FUNCȚIILOR

ATENȚIE: Asigurați-vă că ați oprit mașina și că ați deconectat-o de la rețea înainte de a o regla sau de a verifica starea sa de funcționare.

Înterupător pornire/oprire

NOTĂ: Nu acționați întrerupătorul de pornire/oprire în mod forțat. Acest lucru poate cauza defec-tarea întrerupătorului.

Pentru HP351

► Fig.1: 1. Poziție OFF (Oprit) 2. Poziție ON (Pornit)

Rotiți întrerupătorul de pornire/oprire spre dreapta pen-tru a porni dispozitivul de spălare cu presiune ridicată.

Pentru HP401

Rotiți întrerupătorul de pornire/oprire spre dreapta sau spre stânga, în funcție de nivelul de presiune. Rotiți întrerupătorul de pornire/oprire spre dreapta pentru modul de presiune ridicată, spre stânga pentru modul de presiune scăzută.

► Fig.2: 1. Mod presiune scăzută 2. Poziție OFF (Oprit) 3. Mod presiune ridicată

Funcțiile duzei

Lance de pulverizare Vario-Power

► Fig.3

Presiunea jetului poate fi reglată prin rotirea duzei.

ATENȚIE: Când reglați presiunea jetului, nu rotiți duza în timp ce o trageți spre pistolul declanșator. Duza se poate desprinde de pistolul declanșator și poate cauza răni.

Aparat de spălat cu presiune

► Fig.4

Se evacuează cu putere un jet în spirală. Adecvat pen-tru eliminarea impurităților dificile.

NOTĂ: Nu utilizați aparatul de spălat cu presiune pentru a curăța suprafețe fragile, precum geamuri sau caroserii.

Duză pentru spumă

► Fig.5

Detergentul poate fi pulverizat ca spumă.

Operațiile declanșatorului

Trageți declanșatorul pentru a evacua cu putere un jet de apă. Jetul continuă să iasă cât timp este apăsat declanșatorul.

Declanșatorul poate fi blocat pentru manipularea sigură a pistolului declanșator. Pentru a bloca declanșatorul, scoateți dopul și prindeți-l în canalura de pe mâner.

► Fig.6: 1. Oprit 2. Canelură

NOTĂ: Pentru a evita erorile mecanice ale comu-tatorului de presiune, întotdeauna permiteți un interval de două secunde între operațiile declanșatorului.

Supapă de siguranță

Acest aparat este dotat cu o supapă de siguranță ce previne suprapresiunea incorectă. Când este eliberat declanșatorul, supapa se deschide, iar apa re-circulă prin admisia pompei.

ATENȚIE: Nu modificați sau nu reglați setările supapei de siguranță.

Tambur furtun

Numai pentru HP401

Pentru a derula furtunul, întăi scoateți capătul furtunului din elementul de prindere. Depliați mânerul și rotiți-l spre dreapta. Întotdeauna derulați furtunul complet până la capăt atunci când utilizați dispozitivul de spă-lare cu presiune ridicată.

► Fig.7: 1. Tambur furtun 2. Mâner 3. Capătul furtunului

Atunci când depozitați furtunul, rotiți mânerul spre stânga și fixați capătul furtunului.

► Fig.8: 1. Element de prindere 2. Mâner

Alimentarea apei dintr-un rezervor

Accesoriu opțional

Puteți alimenta apă dintr-un rezervor, în locul unui robinet.

Înlocuiți conectorul furtunului de apă cu setul furtunului de aspirație (accesoriu opțional). Atunci când conectați setul de furtun de aspirație, deconectați carcasa filtrului de la furtun și atașați-o la orificiul de admisie al dispozitivului de curățare cu presiune ridicată. Apoi, conectați furtunul la carcasa filtrului.

► Fig.9: 1. Rezervor 2. Set furtun de aspirație 3. Conector furtun apă 4. Furtun 5. Carcasa filtru 6. Orificiu de admisie pe dispozitivul de curățare cu presiune ridicată

NOTĂ: Întotdeauna utilizați setul furtunului de aspirație de la Makita.

NOTĂ: Întotdeauna mențineți o înălțime de 1,0 m (3,28 ft) sau mai puțin între orificiul de admisie de pe dispozitivul de curățare cu presiune ridicată și suprafața apei. În caz contrar, dispozitivul de curățare cu presiune ridicată nu va putea prelua apa în pompă.

Pentru a introduce apă în furtun, scoateți duza de la pistolul declanșator și porniți dispozitivul de curățare cu presiune ridicată în timp ce strângeți declanșatorul. După ce apa este evacuată cu putere stabilă din pisto-lul declanșator, eliberați declanșatorul și atașați duza corespunzătoare pentru destinația dumneavoastră.

► Fig.10: 1. Pistol declanșator

NOTĂ: Dacă apa nu se evacuează cu putere, detașați setul furtunului de aspirație și înmuiați-l în apă. Apoi reconectați-l la dispozitivul de curățare cu presiune ridicată.

► **Fig.11:** 1. Set furtun de aspirație

ASAMBLARE

ATENȚIE: Asigurați-vă că ați oprit mașina și că ați deconectat-o de la rețea înainte de a efectua vreo intervenție asupra mașinii.

Asamblarea mânerului de transport

Numai pentru HP351

1. Îmbinați jumătatea din față cu jumătatea din spate a mânerului, aliniind orificiile șuruburilor de pe corpul dispozitivului de spălare cu presiune ridicată.

► **Fig.12:** 1. Jumătatea din față a mânerului
2. Jumătatea din spate a mânerului
3. Corpul dispozitivului de spălare cu presiune ridicată

2. Securizați mânerul de transport folosind șuruburi (7 buc.).

► **Fig.13**

Conectarea furtunului de presiune ridicată

Numai pentru HP351

Conectați furtunul de presiune ridicată la racordul de evacuare (cu marcajul pistolului). Rotiți piulița de pe furtunul de presiune ridicată spre dreapta, în timp ce o înșurubați pe filetul racordului de evacuare.

► **Fig.14:** 1. Racord de evacuare 2. Piuliță

ATENȚIE: Asigurați-vă că furtunul de presiune ridicată este bine conectat. O conexiune slabă poate determina desprinderea violentă a furtunului de presiune ridicată, ceea ce poate cauza răniri.

Atașarea pistolului declanșator

Conectați furtunul de presiune ridicată la racordul de admisie de pe pistolul declanșator. Rotiți piulița de pe furtunul de presiune ridicată spre dreapta, în timp ce o înșurubați pe filetul racordului de admisie.

► **Fig.15:** 1. Racord de admisie 2. Piuliță

ATENȚIE: Asigurați-vă că furtunul de presiune ridicată este bine conectat. O conexiune slabă poate determina desprinderea violentă a furtunului de presiune ridicată, ceea ce poate cauza răniri.

Conectarea la un robinet

ATENȚIE: Întotdeauna utilizați un furtun de apă rezistent la presiune cu un diametru de 13 mm sau mai mare și conectați-l la robinet folosind fittingurile corespunzătoare. În caz contrar, furtunul de apă și/sau fittingul se poate defecta și poate cauza rănirea persoanelor.

NOTĂ: Utilizați un furtun de apă rezistent la presiune cât mai scurt posibil. Cantitatea de apă la admisie trebuie să fie mai mare decât volumul max. de alimentare al pompei.

NOTĂ: În cazul în care efectuați o conexiune la rețeaua de alimentare pentru apă potabilă, utilizați o clapetă antiretur cu respectă reglementările din regiunea dvs.

Pregătiți un furtun de apă rezistent la presiune. Atașați manșonul de cuplare la un capăt și conectați celălalt capăt la robinet, după cum urmează.

1. Scoateți piulița de pe manșonul de cuplare și treceți furtunul de apă rezistent la presiune prin piuliță. Introduceți capătul furtunului în manșonul de cuplare și apoi strângeți piulița.

► **Fig.16:** 1. Furtun de apă rezistent la presiune
2. Piulița manșonului de cuplare 3. Manșon de cuplare

NOTĂ: În cazul în care conectați furtunul de apă rezistent la presiune la robinet folosind un manșon de cuplare, atașați-l la ambele capete ale furtunului.

2. Conectați furtunul de apă rezistent la presiune la robinet. Aplicați un fitting adecvat, precum o bandă pentru furtun sau o îmbinare pentru robinetul de apă, pentru a securiza capătul furtunului cu robinetul.

► **Fig.17:** 1. Bandă furtun 2. Îmbinare robinet apă
3. Furtun de apă rezistent la presiune

NOTĂ: Fittingul depinde de forma robinetului la care îl conectați. Pregătiți un fitting adecvat, disponibil în comerț.

3. Atașați conectorul furtunului de apă la orificiul de admisie (cu marcajul robinetului), iar apoi introduceți manșonul de cuplare.

► **Fig.18:** 1. Manșon de cuplare 2. Conector furtun apă 3. Racord de admisie

Conectarea/deconectarea duzei

ATENȚIE: Întotdeauna blocați declanșatorul la conectarea/deconectarea duzei.

Introduceți capătul duzei în fanta pistolului declanșator și rotiți-o în direcția săgeții, după cum se arată în figură. Pentru deconectare, rotiți duza în direcție inversă, în timp ce o apăsați spre pistolul declanșator.

► **Fig.19:** 1. Pistol declanșator 2. Fantă 3. Capătul duzei

Unele duze opționale necesită îmbinarea de conectare (accesoriu opțional) pentru a fi atașate la pistolul declanșator. Atașați îmbinarea de conectare la pistolul declanșator, în același fel ca duza.

► **Fig.20:** 1. Duză 2. Îmbinare de conectare 3. Pistol declanșator

NOTĂ: Îmbinarea de conectare este necesară atunci când se utilizează duzele incluse cu alt model, HP-350 sau HP-400.

Conectarea duzei de spumă

⚠ATENȚIE: Întotdeauna blocați declanșatorul la conectarea/deconectarea duzei.

Pregătiți un detergent înainte de utilizarea duzei de spumă.

1. Scoateți duza din rezervor, rotind-o spre stânga. Atașați duza la pistolul declanșator.

► **Fig.21:** 1. Duză 2. Pistol declanșator

2. Turnați detergent în rezervor și instalați-l pe duză.

► **Fig.22:** 1. Rezervor

NOTĂ: Întotdeauna utilizați un detergent neutru. Un detergent acid sau alcalin poate deteriora rezervorul sau duza.

OPERAREA

⚠AVERTIZARE: Nu atingeți jetul de apă sau nu îl orientați spre dumneavoastră sau spre alții. Jetul de apă este periculos și vă poate răni pe dumneavoastră sau alte persoane.

⚠AVERTIZARE: Atunci când acționați jetul de apă, nu țineți niciodată obiectul pe care îl curățați sau nu puneți niciodată mâinile sau picioarele lângă jetul de apă.

⚠ATENȚIE: Aveți grijă la reculul jetului de apă și la obiectele propulsate de acesta. Nu aduceți duza mai aproape de 30 cm .

⚠ATENȚIE: Nu utilizați dispozitivul de curățare cu presiune ridicată fără apă timp de mai mult de 1 minut.

⚠ATENȚIE: Nu utilizați dispozitivul de curățare cu presiune ridicată pentru o perioadă lungă de timp. Acest lucru poate cauza supraîncălzire sau incendii. De asemenea, utilizarea pe termen lung poate cauza afecțiuni medicale cauzate de acțiunea vibrațiilor.

⚠ATENȚIE: Acordați atenție direcției din care bate vântul. Dacă vă intră detergent în ochi sau în gură, clătiți imediat cu apă curată și , dacă este necesar, solicitați asistență medicală.

NOTĂ: Evitați utilizarea dispozitivului de curățare cu presiune ridicată timp de mai mult de 1 oră. După o utilizare de 1 oră, faceți o pauză la fel de lungă.

1. Conectați capătul furtunului de presiune ridicată la pistolul declanșator. Pentru HP351, conectați celălalt capăt la dispozitivul de spălare cu presiune ridicată. Pentru HP401, derulați furtunul complet până la capăt.

2. Conectați dispozitivul de spălare cu presiune ridicată la robinet și deschideți robinetul.

► **Fig.23**

NOTĂ: Pentru a proteja mecanismul dispozitivului de spălare cu presiune ridicată, nu utilizați apă mai fierbinte de 40 °C.

3. Conectați dispozitivul de spălare cu presiune ridicată la rețeaua de alimentare și porniți-l.

► **Fig.24:** 1. Întrerupător pornire/oprire

4. Pentru a evacua cu putere un jet de apă, deblocați opritorul și strângeți declanșatorul. Jetul continuă să iasă cât timp este apăsat declanșatorul.

► **Fig.25:** 1. Opritor

⚠ATENȚIE: Țineți bine pistolul declanșator. Pistolul declanșator reculează atunci când acționați declanșatorul.

⚠ATENȚIE: Întotdeauna țineți pistolul declanșator de mâner și de cilindru în timpul curățării. În timp ce motorul este în funcțiune, nu atingeți nicio altă parte a corpului dispozitivului de spălare cu presiune ridicată decât mânerul de transport și întrerupătorul de pornire/oprire.

NOTĂ: Aveți grijă să nu acționați pistolul declanșator în mod forțat în timpul funcționării. Această acțiune poate cauza căderea dispozitivului de spălare cu presiune ridicată.

După funcționare

⚠ATENȚIE: După funcționare, întotdeauna efectuați procedura descrisă în acest manual. Presiunea reziduală din pistolul declanșator sau dispozitivul de spălare cu presiune ridicată poate cauza rănirea persoanelor sau deteriorarea interiorului pompei.

1. După funcționare, lăsați întrerupătorul de pornire/oprire pornit.

2. Închideți robinetul și deconectați furtunul de apă de la dispozitivul de spălare cu presiune ridicată.

► **Fig.26**

3. Strângeți declanșatorul până când apa rămasă în dispozitivul de spălare cu presiune ridicată este eliminată.

Nu rulați motorul timp de mai mult de 1 minut.

► **Fig.27**

4. Opriti dispozitivul de spălare cu presiune ridicată și deconectați-l de la rețeaua de alimentare.

► **Fig.28:** 1. Întrerupător pornire/oprire

5. Deconectați furtunul de presiune ridicată de la pistolul declanșator.

► **Fig.29:** 1. Pistol declanșator 2. Furtun de presiune ridicată

Pentru HP351, deconectați și furtunul de presiune ridicată de la dispozitivul de spălare cu presiune ridicată.

► **Fig.30:** 1. Furtun de presiune ridicată

Pentru HP401, strângeți furtunul și fixați capătul furtunului.

► **Fig.31:** 1. Element de prindere 2. Mâner

NOTĂ: Pentru a preveni deteriorarea furtunului de presiune ridicată, eliminați apa rămasă în furtun înainte de depozitarea acestuia.

ÎNȚREȚINERE ȘI DEPOZITARE

ATENȚIE: Asigurați-vă că ați oprit mașina și că ați deconectat-o de la rețea înainte de a efectua operațiuni de inspecție sau întreținere.

NOTĂ: Nu utilizați niciodată gazolină, benzină, diluant, alcool sau alte substanțe asemănătoare. În caz contrar, pot rezulta decolorări, deformări sau fisuri.

Curățarea duzei

Utilizați tija de curățare pentru a îndepărta impuritățile sau pentru a desfunda duza.

► **Fig.32:** 1. Tijă de curățare

NOTĂ: Nu eliminați impuritățile sau reziduurile în mod forțat. Acest lucru poate cauza rănirea persoanelor sau deteriorarea racordului de evacuare, cauzând unghiuri deviate sau o performanță redusă a jetului.

Curățarea filtrului

Detashați conectorul furtunului de apă și eliminați impuritățile și reziduurile din interiorul filtrului.

► **Fig.33:** 1. Conector furtun apă 2. Filtru 3. Inel de etanșare

Atunci când utilizați setul furtunului de aspirație (accesoriu opțional), scoateți filtrul din carcasa filtrului și eliminați impuritățile și reziduurile.

► **Fig.34:** 1. Filtru 2. Carcasă de filtru

NOTĂ: Pentru a menține o performanță optimă, curățați filtrul periodic.

Depozitare

Strângeți furtunul și cablul. Puneți pistolul declanșator și duza în locașuri.

HP351

► **Fig.35**

HP401

► **Fig.36**

ATENȚIE: Întotdeauna depozitați produsul într-o locație interioară, în care temperatura nu scade sub cea de îngheț. Dacă dispozitivul de spălare cu presiune ridicată îngheață și prezintă defecțiuni, contactați centrul dumneavoastră de service local pentru reparații.

ATENȚIE: Întotdeauna utilizați mânerul de transport atunci când deplasați dispozitivul de spălare cu presiune ridicată. Nu îl transportați ținându-l de furtun sau de cablu. Furtunul sau cablul se poate deteriora.

ATENȚIE: Nu transportați dispozitivul de spălare cu presiune ridicată atunci când furtunul și/sau cablul este derulat. Furtunul sau cablul extins poate fi avariat sau se poate încălci cu alte obiecte, ceea ce rezultă în rănirea persoanelor sau în defecțiuni.

Pentru a menține SIGURANȚA și FIABILITATEA produsului, reparațiile și orice alte lucrări de întreținere sau reglare trebuie executate de centre de service Makita autorizate sau proprii, folosind întotdeauna piese de schimb Makita.

DEPANARE

Înainte de a solicita reparații, efectuați mai întâi propria inspecție. În cazul în care găsiți o problemă care nu este explicată în manual, nu încercați să demontați

echipamentul. În schimb, adresați-vă Centrelor de service autorizate Dolmar, utilizând întotdeauna piese de schimb Dolmar pentru reparații.

Stare de anomalitate	Cauză probabilă (defecțiune)	Remediu
Dispozitivul de curățare cu presiune ridicată nu pornește.	Fără electricitate	Racordați fișa la rețeaua de alimentare. De asemenea, verificați dacă rețeaua este alimentată cu electricitate.
	Înterupătorul nu este pornit.	Porniți înterupătorul.
	Presiune reziduală în pompă	Trageți declanșatorul.
	Cablu sau circuit electric avariāt	Apelați la un centru de service autorizat pentru reparații.
Fără jet de apă/jet de apă slab	Fără alimentare cu apă	Asigurați-vă că robinetul este deschis. Dacă utilizați setul furtunului de aspirație, introduceți apă în furtun.
	Alimentare slabă cu apă	Deschideți robinetul.
	Conexiune slabă a furtunului de apă	Verificați conexiunea dintre furtunul de apă și robinet și racordul de admisie de pe dispozitivul de curățare cu presiune ridicată.
	Furtun, filtru sau duză înfundată	Desfundați furtunul, filtrul sau duza.
	Aerul blochează fluxul apei.	Opriti comutatorul și apoi porniți-l din nou în timp ce strângeți declanșatorul.
	Duză avariātă sau uzată	Înlocuiți duza.
	Pompă sau supapă defectă	Apelați la un centru de service autorizat pentru reparații.
Jet de apă instabil.	Duză înfundată	Desfundați orificiul de evacuare al duzei, folosind tija de curățare.
	Aspirație slabă a apei	Verificați furtunul de apă, începând de la robinet, pentru a vă asigura că nu există scurgeri sau înfundări. Deschideți robinetul.
	Apă este prea fierbinte.	Alimentați cu apă mai rece.
	Supapă defectă	Apelați la un centru de service autorizat pentru reparații.
Sunet anormal.	Apă este prea fierbinte.	Alimentați cu apă mai rece.
	Pompa aspiră aer.	Apelați la un centru de service autorizat pentru reparații.
Scurgere de apă/ulei.	Conexiune slabă	Verificați conexiunea dintre furtunul de presiune ridicată și pistolul declanșator și dispozitivul de curățare cu presiune ridicată.
	Etanșări uzate	Apelați la un centru de service autorizat pentru reparații.
Pompa nu funcționează, deși se aude sunetul motorului.	Cablu prelungitor necorespunzător.	Utilizați un cablu prelungitor adecvat pentru valoarea nominală a produsului.

ACCESORII OPȚIONALE

⚠ATENȚIE: Aceste accesorii sau piese auxiliare sunt recomandate pentru utilizarea împreună cu unealta Dolmar specificată în acest manual. Utilizarea oricăror alte accesorii sau piese auxiliare poate prezenta risc de vătămare corporală. Utilizați accesoriile și piesele auxiliare numai în scopul destinat.

Dacă aveți nevoie de asistență sau de mai multe detalii referitoare la aceste accesorii, adresați-vă centrului local de service Dolmar.

NOTĂ: Unele articole din listă pot fi incluse ca accesorii standard în ambalajul de scule. Acestea pot diferi în funcție de țară.

Lance de pulverizare

► Fig.37

Jetul poate fi reglat de la 0° la 25°, prin rotirea capătului frontal al duzei.

⚠ATENȚIE: Când reglați lățimea jetului, nu rotiți duza în timp ce o trageți spre pistolul declanșator. Duza se poate desprinde de pistolul declanșator și poate cauza răni.

Perie de curățare (lungă)

► Fig.38

O duză echipată cu o perie. Utilă pentru curățarea impurităților în timp ce frecăți cu peria.

Set furtun de aspirație

► Fig.39

Înlocuiți furtunul de apă cu acest set pentru a furniza apă de la un rezervor.

Perie de curățare rotativă

► Fig.40

În interior există trei perii care se rotesc încet la evacuarea cu putere a jetului. Adecvată pentru curățarea impurităților minore de pe un perete exterior, caroserie, cadă etc.

Prelungire lance

► Fig.41

Țevi pentru prelungirea pistolului declanșator. Sunt disponibile trei lungimi diferite, prin modificarea numărului de țevi care vor fi utilizate.

Lance de pulverizare pentru elementele inferioare

► Fig.42

O lance de pulverizare extra-lungă cu duză în unghi. Cea mai recomandată pentru curățarea zonelor dificil de accesat, precum partea inferioară a caroseriilor și a jgheburilor pentru acoperiș.

⚠ATENȚIE: Nu utilizați lancea pentru elementele inferioare cu prelungirea pentru lance.

Apărătoare pentru stropi

► Fig.43

Reduce stropirea la curățarea colțurilor cu aparatul de spălat cu presiune.

Îmbinare pivotantă

► Fig.44

Previne răsucirea furtunului de presiune ridicată.

Îmbinare de conectare

► Fig.45

O îmbinare pentru conectarea cu o duză de la alt model.

NOTĂ: Îmbinarea de conectare este necesară atunci când se utilizează duzele incluse cu alt model, HP-350 sau HP-400.

Set de curățare a țevilor (10 m/15 m)

► Fig.46

Pentru curățarea și defundarea țevilor și a burlanelor.

⚠ATENȚIE: Acordați atenție specială jetului de apă atunci când utilizați setul de curățare pentru țevi. Se evacuează un jet de apă foarte puternic în sens invers.

Furtun prelungitor de presiune ridicată (5 m/8 m/10 m)

► Fig.47

Furtun prelungitor pentru conectarea corpului dispozitivului de curățare cu presiune ridicată la pistolul declanșator.

WARNUNG

- Maschinen dürfen nicht von Kindern benutzt werden. Kinder sollten beaufsichtigt werden, um sicherzugehen, dass sie nicht mit der Maschine spielen.
- Diese Maschine sollte nicht von Personen (einschließlich Kindern) mit reduzierten körperlichen, sensorischen oder geistigen Fähigkeiten oder mangelnder Erfahrung und Kenntnis benutzt werden.
- Diese Maschine wurde für den Einsatz mit dem Reinigungsmittel ausgelegt, das vom Hersteller geliefert oder empfohlen wird. Die Verwendung anderer Reinigungsmittel oder Chemikalien kann sich negativ auf die Sicherheit der Maschine auswirken.
- Hochdruckstrahlen können bei Missbrauch gefährlich sein. Der Strahl darf nicht auf Personen, Strom führende Elektrogeräte oder die Maschine selbst gerichtet werden.
- Benutzen Sie die Maschine nicht im Bereich von Personen, wenn sie keine Schutzkleidung tragen.
- Richten Sie den Strahl nicht auf sich selbst oder andere, um Kleidungsstücke oder Schuhwerk zu reinigen.
- Explosionsgefahr - Versprühen Sie keine brennbaren Flüssigkeiten.
- Hochdruckreiniger dürfen nicht von Kindern oder ungeübtem Personal benutzt werden.
- Hochdruckschläuche, Armaturen und Kupplungen sind wichtig für die Sicherheit der Maschine. Verwenden Sie nur vom Hersteller empfohlene Schläuche, Armaturen und Kupplungen.
- Um die Sicherheit der Maschine zu gewährleisten, verwenden Sie nur vom Hersteller gelieferte oder zugelassene Original-Ersatzteile.
- Vergewissern Sie sich vor der Ausführung von Arbeiten am Werkzeug stets, dass es ausgeschaltet und vom Stromnetz getrennt ist.
- Benutzen Sie die Maschine nicht, wenn ein Versorgungskabel oder wichtige Teile der Maschine beschädigt sind, z. B. Sicherheitsvorrichtungen, Hochdruckschläuche, Schaltpistole.

- Unzulängliche Verlängerungskabel können gefährlich sein. Wenn ein Verlängerungskabel verwendet wird, muss es für Freiluftbenutzung geeignet sein, und die Verbindung muss trocken und vom Boden abgehoben gehalten werden. Es wird empfohlen, dies mittels einer Kabeltrommel zu bewerkstelligen, die die Steckdose mindestens 60 mm über dem Boden hält.
- Schalten Sie stets den Haupttrennschalter aus, wenn Sie die Maschine unbeaufsichtigt lassen.
- Halten Sie die Anforderungen des örtlichen Wasserversorgers ein.
- Für europäische Länder:
Gemäß EN12729 (BA) kann das Gerät auch an die Trinkwasserversorgung angeschlossen werden, wenn in dem Zulaufschlauch ein Ventil mit Rückflussverhinderer und Ablaufvorrichtung installiert ist.

TECHNISCHE DATEN

Modell:		HP351	HP401
Max. Fördermenge		7,0 l/min	7,5 l/min
Wasserförderleistung		5,5 l/min	6,0 l/min
Max. zulässiger Druck		12 MPa (120 bar)	13 MPa (130 bar)
Betriebsdruck	Modus „Hoch“	10 MPa (100 bar)	11 MPa (110 bar)
	Modus „Niedrig“	-	8 MPa (80 bar)
Max. Förderdruck		1 MPa (10 bar)	
Max. Fördertemperatur		40°C	
Max. Saughöhe		1,0 m	
Abmessungen (L x B x H)		292 mm x 358 mm x 830 mm	
Gewicht		11,0 kg	12,7 kg
Motorschutzklasse		IPX5	

- Wir behalten uns vor, Änderungen der technischen Daten im Zuge der Entwicklung und des technischen Fortschritts ohne vorherige Ankündigung vorzunehmen.
- Die technischen Daten können von Land zu Land unterschiedlich sein.
- Gewicht nach EPTA-Verfahren 01/2003

Symbole

Nachfolgend werden die für das Gerät verwendeten Symbole beschrieben. Machen Sie sich vor der Benutzung mit ihrer Bedeutung vertraut.



Betriebsanleitung lesen.



Besondere Umsicht und Aufmerksamkeit erforderlich.



DOPPELTE ISOLIERUNG



Nur für EU-Länder
Werfen Sie Elektrogeräte nicht in den Hausmüll! Unter Einhaltung der Europäischen Richtlinie über Elektro- und Elektronik-Altgeräte und ihrer Umsetzung gemäß den Landesgesetzen müssen Elektrogeräte, die das Ende ihrer Lebensdauer erreicht haben, getrennt gesammelt und einer umweltgerechten Recycling-Einrichtung zugeführt werden.



Richten Sie den Strahl nicht auf Personen, einschließlich sich selbst, Tiere und Strom führende Elektrogeräte.



Nicht geeignet für den Anschluss an die Trinkwasserleitung.

Vorgesehene Verwendung

Dieses Werkzeug ist zum Entfernen von hartnäckigem Schmutz durch Wasserstrahl vorgesehen. Dieses Werkzeug ist für Haushaltsgebrauch vorgesehen.

Stromversorgung

Das Werkzeug sollte nur an eine Stromquelle angeschlossen werden, deren Spannung mit der Angabe auf dem Typenschild übereinstimmt, und kann nur mit Einphasen-Wechselstrom betrieben werden. Diese sind doppelt schutzisoliert und können daher auch an Steckdosen ohne Erdleiter verwendet werden.

Für öffentliche Niederspannungs-Verteilungssysteme mit einer Spannung zwischen 220 V und 250 V

Schaltvorgänge von Elektrogeräten verursachen Spannungsschwankungen. Der Betrieb dieses Gerätes unter ungünstigen Netzstrombedingungen kann sich nachteilig auf den Betrieb anderer Geräte auswirken. Bei einer Netzstromimpedanz von 0,25 Ohm oder weniger ist anzunehmen, dass keine negativen Effekte auftreten. Die für dieses Gerät verwendete Netzsteckdose muss durch eine Sicherung oder einen Schutzschalter mit trägen Auslösungseigenschaften geschützt sein.

Geräusch

Typischer A-bewerteter Geräuschpegel ermittelt gemäß EN60335-2-79:

Modell HP351

Schalldruckpegel (L_{pA}): 72 dB (A)
Messunsicherheit (K): 3,8 dB (A)

Modell HP401

Schalldruckpegel (L_{pA}): 76 dB (A)
Messunsicherheit (K): 2,4 dB (A)

Der Geräuschpegel kann während des Betriebs 80 dB (A) überschreiten.

⚠️ WARNUNG: Einen Gehörschutz tragen.

Schwingungen

Schwingungsgesamtwert (Drei-Achsen-Vektorsumme) ermittelt gemäß EN60335-2-79:

Modell HP351

Schwingungsemission (a_n): 4,11 m/s^2
Messunsicherheit (K): 1,5 m/s^2

Modell HP401

Schwingungsemission (a_n): 4,86 m/s^2
Messunsicherheit (K): 1,5 m/s^2

HINWEIS: Der angegebene Schwingungsemissionswert wurde im Einklang mit der Standardprüfmethode gemessen und kann für den Vergleich zwischen Werkzeugen herangezogen werden.

HINWEIS: Der angegebene Schwingungsemissionswert kann auch für eine Vorbewertung des Gefährdungsgrads verwendet werden.

⚠️ WARNUNG: Die Schwingungsemission während der tatsächlichen Benutzung des Elektrowerkzeugs kann je nach der Benutzungsweise des Werkzeugs vom angegebenen Emissionswert abweichen.

⚠️ WARNUNG: Identifizieren Sie Sicherheitsmaßnahmen zum Schutz des Benutzers anhand einer Schätzung des Gefährdungsgrads unter den tatsächlichen Benutzungsbedingungen (unter Berücksichtigung aller Phasen des Arbeitszyklus, wie z. B. Ausschalt- und Leerlaufzeiten des Werkzeugs zusätzlich zur Betriebszeit).

EG-Konformitätserklärung

Nur für europäische Länder

Die EG-Konformitätserklärung ist als Anhang A in dieser Bedienungsanleitung enthalten.

SICHERHEITSWARNUNGEN

⚠️ WARNUNG: Lesen Sie alle Sicherheitswarnungen und Anweisungen durch. Eine Missachtung der unten aufgeführten Warnungen und Anweisungen kann zu einem elektrischen Schlag, Brand und/oder schweren Verletzungen führen.

Bewahren Sie alle Warnungen und Anweisungen für spätere Bezugnahme auf.

Sicherheit im Arbeitsbereich

1. Halten Sie den Arbeitsbereich völlig frei von Personen.
2. Übernehmen Sie sich nicht, und stellen Sie sich auch nicht auf instabile Stützen. Achten Sie stets auf sicheren Stand und gute Balance.
3. Stellen Sie den Hochdruckreiniger-Hauptteil immer auf eine ebene und stabile Oberfläche. Vermeiden Sie Bereiche, wo das ausgestoßene Wasser fließen oder sich ansammeln kann.
4. Überprüfen Sie vor der Reinigung die Umgebung und die zu reinigenden Gegenstände. Hochdruckstrahlen können Lack oder andere Oberflächenbehandlungen, einschließlich giftiger Chemikalien, abschaben. Treffen Sie nötigenfalls Vorbeugungsmaßnahmen.
5. Achten Sie darauf, dass Sie nicht über das Kabel oder den Schlauch des Hochdruckreinigers stolpern. Achten Sie während der Arbeit stets auf die Konfiguration von Kabel und Schlauch.
6. Während des Gebrauchs tritt eine kleine Wassermenge an der Unterseite des Hochdruckreinigers aus. Vermeiden Sie die Aufstellung des Hochdruckreinigers in Bereichen, die Sie nicht nass machen wollen.

Persönliche Sicherheit

1. Um sich selbst vor dem Strahl und weggeschleuderten Gegenständen zu schützen, sollten Bediener geeignete Kleidung, wie Sicherheitsstiefel, Schutzhandschuhe, Schutzhelm mit Visier, Gehörschutz usw. tragen.
2. Benutzen Sie den Hochdruckreiniger nicht im Bereich von Personen, wenn sie keine Schutzkleidung tragen.
3. Um die Verletzungsgefahr zu reduzieren, ist strenge Überwachung notwendig, wenn das Produkt in der Nähe von Kindern verwendet wird.
4. Wasser, das durch den Rückflussverhinderer geflossen ist, wird als nicht trinkbar betrachtet.

Elektrische Sicherheit

1. Benutzen Sie den Hochdruckreiniger niemals im Freien bei Regen.
2. Berühren Sie den Netzstecker und/oder die Netzsteckdose niemals mit nassen Händen.
3. Benutzen Sie die Maschine nicht, wenn das Versorgungskabel oder wichtige Teile der Maschine beschädigt sind, z. B. Sicherheitsvorrichtungen, Hochdruckschläuche oder die Schaltwippe.
4. Der Stecker muss an die Steckdose angepasst sein. Der Stecker darf auf keinen Fall in irgendeiner Form abgeändert werden. Verwenden Sie keinen Adapterstecker mit geerdeten Elektrowerkzeugen. Vorschriftenmäßige Stecker und passende Steckdosen reduzieren die Stromschlaggefahr.
5. Unzulängliche Verlängerungskabel können gefährlich sein. Wenn ein Verlängerungskabel verwendet wird, muss es für Freiluftbenutzung geeignet sein, und die Verbindung muss trocken und vom Boden abgehoben gehalten werden. Es wird empfohlen, dies mittels einer Kabeltrommel zu bewerkstelligen, die die Steckdose mindestens 60 mm über dem Boden hält.
6. Beachten Sie Folgendes bei der Verwendung von Verlängerungskabeln:
 - Verwenden Sie nur Verlängerungskabel, die für Freiluftbenutzung vorgesehen sind.
 - Verwenden Sie nur Verlängerungskabel, deren elektrische Belastbarkeit der Belastbarkeit des Produkts entspricht oder diese übertrifft.
 - Verwenden Sie keine beschädigten Verlängerungskabel.
 - Untersuchen Sie Verlängerungskabel vor Gebrauch, und wechseln Sie sie bei Beschädigung aus.
 - Unterlassen Sie Missbrauch von Verlängerungskabeln und Ziehen am Kabel zum Trennen.
 - Halten Sie Kabel von Hitze und scharfen Kanten fern.

- Ziehen Sie das Verlängerungskabel immer von der Steckdose ab, bevor Sie das Produkt vom Verlängerungskabel trennen.
7. Die Verbindung mit der Stromversorgung ist von einem qualifizierten Elektriker vorzunehmen und muss die Norm IEC 60364-1 erfüllen. Es wird empfohlen, die Stromversorgung dieser Maschine entweder mit einer Fehlerstrom-Schutzeinrichtung, die die Versorgung unterbricht, wenn der Erdschlussstrom 30 mA für 30 ms überschreitet, oder mit einer Vorrichtung auszustatten, die den Erdungskreis sichert.
- ### Gebrauch und Pflege von Elektrowerkzeugen
1. Lesen Sie alle Anweisungen vor Gebrauch des Produkts.
 2. Erlernen Sie die Verfahren zum Stoppen des Hochdruckreinigers und zum schnellen Ablassen von Drücken. Machen Sie sich mit den Bedienelementen gründlich vertraut.
 3. Hochdruckstrahlen können bei Missbrauch gefährlich sein. Der Strahl darf nicht auf Personen, Strom führende Elektrogeräte oder die Maschine selbst gerichtet werden.
 4. Diese Maschine sollte nicht von Personen (einschließlich Kindern) mit reduzierten körperlichen, sensorischen oder geistigen Fähigkeiten oder mangelnder Erfahrung und Kenntnis benutzt werden.
 5. Kinder sollten beaufsichtigt werden, um sicherzugehen, dass sie nicht mit dem Gerät spielen.
 6. Versprühen Sie keine brennbaren und/oder giftigen Flüssigkeiten. Es kann sonst zu einer Explosion, Vergiftung oder Beschädigung der Maschine kommen.
 7. Richten Sie den Strahl nicht auf sich selbst oder andere, um Kleidungsstücke oder Schuhwerk zu reinigen.
 8. Hochdruckschläuche, Armaturen und Kupplungen sind wichtig für die Sicherheit der Maschine. Verwenden Sie nur vom Hersteller empfohlene Schläuche, Armaturen und Kupplungen.
 9. Befolgen Sie die Anweisungen beim Auswechseln von Zubehör.
 10. Halten Sie die Handgriffe trocken, sauber und frei von Öl oder Fett.
 11. Bleiben Sie wachsam - achten Sie auf Ihre Handlungen.
 12. Betreiben Sie das Produkt nicht, wenn Sie müde sind oder unter dem Einfluss von Alkohol oder Medikamenten stehen.
 13. Lassen Sie den Hochdruckreiniger nicht länger als eine Minute ohne Wasser laufen. Andernfalls wird der Motor beschädigt, was zu einer Funktionsstörung führt.
 14. Schalten Sie stets die Stromversorgung aus, und stellen Sie die Wasserversorgung ab, wenn Sie den Hochdruckreiniger unbeaufsichtigt lassen.

15. Seien Sie vor Rückschlag auf der Hut. Die Schaltpistole schlägt zurück, wenn der Hochdruckstrahl aus der Düse ausgestoßen wird. Halten Sie die Schaltpistole mit festem Griff, um versehentliche Verletzungen zu verhindern.
16. Prüfen Sie vor Gebrauch nach, ob beschädigte oder verschlissene Teile vorhanden sind. Vergewissern Sie sich auch, dass der Schlauch ordnungsgemäß angeschlossen ist, und dass während des Betriebs keine Leckage auftritt. Der Betrieb der Maschine mit funktionalen Defekten kann einen Unfall verursachen.
17. Diese Maschine wurde für den Einsatz mit dem Reinigungsmittel ausgelegt, das vom Hersteller geliefert oder empfohlen wird. Die Verwendung anderer Reinigungsmittel oder Chemikalien kann sich negativ auf die Sicherheit der Maschine auswirken.
18. Ziehen Sie nicht am Kabel und/oder Schlauch, um den Hochdruckreiniger-Hauptteil zu verschieben. Dies verursacht eine Beschädigung von Kabel, Schlauch und Verbindungsteilen und führt zu einem Kurzschluss oder funktionalen Defekten.
19. Stellen Sie keine schweren Gegenstände auf den Schlauch, und lassen Sie auch keine Fahrzeuge darüber fahren.
20. Lassen Sie stets den Restdruck in der Schaltpistole ab, bevor Sie den Schlauch abtrennen.
21. Beachten Sie die Anweisungen Ihres lokalen Wasserversorgungsamts oder Wasserwerks, wenn Sie den Schlauch an die Hauptwasserleitung anschließen.

Wartung

1. Befolgen Sie die in der Anleitung angegebenen Wartungsanweisungen.
2. Um die Sicherheit der Maschine zu gewährleisten, verwenden Sie nur vom Hersteller gelieferte oder zugelassene Original-Ersatzteile.
3. Lassen Sie Ihren Hochdruckreiniger nur unter Verwendung identischer Ersatzteile von einem qualifizierten Wartungstechniker warten. Dadurch wird die Aufrechterhaltung der Sicherheit des Hochdruckreinigers gewährleistet.
4. Im Falle einer Betriebs- oder Funktionsstörung des Hochdruckreinigers, sollten Sie ihn unverzüglich ausschalten und den Netzstecker abziehen. Wenden Sie sich an einen Händler oder ein Service-Center in Ihrer Nähe.

DIESE ANWEISUNGEN AUFBEWAHREN.

⚠️ WARNUNG: Lassen Sie sich NICHT durch Bequemlichkeit oder Vertrautheit mit dem Produkt (durch wiederholten Gebrauch erworben) von der strikten Einhaltung der Sicherheitsregeln für das vorliegende Produkt abhalten.

MISSBRAUCH oder Missachtung der Sicherheitsvorschriften in dieser Anleitung können schwere Verletzungen verursachen.

FUNKTIONSBESCHREIBUNG

⚠️ VORSICHT: Vergewissern Sie sich vor jeder Einstellung oder Funktionsprüfung des Werkzeugs stets, dass es ausgeschaltet und vom Stromnetz getrennt ist.

Netzschalter

ANMERKUNG: Drehen Sie den Netzschalter nicht gewaltsam. Dies kann eine Funktionsstörung des Schalters verursachen.

Für das Modell HP351

- **Abb.1:** 1. AUS-Stellung 2. EIN-Stellung

Drehen Sie den Netzschalter im Uhrzeigersinn, um den Hochdruckreiniger einzuschalten.

Für das Modell HP401

Drehen Sie den Netzschalter abhängig vom Druckpegel im oder entgegen dem Uhrzeigersinn. Drehen Sie den Netzschalter im Uhrzeigersinn für den Hochdruckmodus und entgegen dem Uhrzeigersinn für den Niederdruckmodus.

- **Abb.2:** 1. Niederdruckmodus 2. AUS-Stellung 3. Hochdruckmodus

Düsenfunktionen

Vario-Power-Sprühlanze

- **Abb.3**

Der Strahldruck kann durch Drehen der Düse eingestellt werden.

⚠️ VORSICHT: Achten Sie beim Einstellen des Strahlendrucks darauf, dass Sie die Düse nicht drehen, während Sie sie zur Schaltpistole ziehen. Die Düse kann sich sonst von der Schaltpistole lösen und Personenschäden verursachen.

Dreckfräser

- **Abb.4**

Ein spiralförmiger Strahl wird ausgestoßen. Eignet sich zum Entfernen von hartnäckigem Schmutz.

ANMERKUNG: Verwenden Sie den Dreckfräser nicht zum Reinigen von zerbrechlichen Oberflächen, wie z. B. Fenster oder Autokarosserien.

Schaumdüse

- **Abb.5**

Reinigungsmittel kann als Schaum versprüht werden.

Auslöserbetätigung

Betätigen Sie den Auslöser, um einen Wasserstrahl abzugeben. Der Strahl wird abgegeben, solange der Auslöser gedrückt gehalten wird.

Zur sicheren Handhabung der Schaltpistole kann der Auslöser verriegelt werden. Um den Auslöser zu verriegeln, ziehen Sie den Stopper heraus, und hängen Sie ihn in die Nut am Griff ein.

- **Abb.6:** 1. Stopper 2. Nut

ANMERKUNG: Um einen mechanischen Fehler im Druckschalter zu vermeiden, halten Sie stets ein Zwei-Sekunden-Intervall zwischen Auslöserbetätigungen ein.

Sicherheitsventil

Dieses Gerät ist mit einem Sicherheitsventil ausgestattet, das unzulässigen Überdruck verhindert. Wenn der Auslöser losgelassen wird, öffnet sich das Ventil, und das Wasser läuft durch den Pumpeneinlass zurück.

⚠ VORSICHT: Unterlassen Sie Manipulieren oder Verändern der Sicherheitsventil-Einstellung.

Schlauchtrommel

Nur für das Modell HP401

Um den Schlauch abzuwickeln, nehmen Sie zuerst das Schlauchende aus der Klinke. Klappen Sie den Kurbelgriff aus, und drehen Sie ihn im Uhrzeigersinn. Wickeln Sie den Schlauch immer vollständig ab, wenn Sie den Hochdruckreiniger betreiben.

► **Abb.7:** 1. Schlauchtrommel 2. Kurbelgriff
3. Schlauchende

Zum Aufrollen des Schlauchs drehen Sie den Kurbelgriff entgegen dem Uhrzeigersinn, und fixieren Sie das Schlauchende.

► **Abb.8:** 1. Klinke 2. Kurbelgriff

Wasserversorgung von einem Tank/ Behälter

Sonderzubehör

Anstelle eines Wasserhahns können Sie Wasser auch von einem Tank oder Behälter zuführen. Ersetzen Sie den Wasserschlauchverbinder durch den Saugschlauchsatz (Sonderzubehör). Wenn Sie den Saugschlauchsatz anschließen, trennen Sie das Filtergehäuse vom Schlauch, und bringen Sie es am Einlass des Hochdruckreinigers an. Schließen Sie dann den Schlauch an das Filtergehäuse an.

► **Abb.9:** 1. Tank/Behälter 2. Saugschlauchsatz
3. Wasserschlauchverbinder 4. Schlauch
5. Filtergehäuse 6. Einlass des Hochdruckreinigers

ANMERKUNG: Verwenden Sie immer den Saugschlauchsatz von Makita.

ANMERKUNG: Halten Sie immer eine Höhe von maximal 1,0 m (3,28 ft) zwischen dem Einlass des Hochdruckreinigers und dem Wasserspiegel ein. Andernfalls ist der Hochdruckreiniger nicht in der Lage, das Wasser in die Pumpe anzusaugen.

Um Wasser in den Schlauch einzuleiten, entfernen Sie die Düse von der Schaltpistole, und schalten Sie den Hochdruckreiniger bei betätigtem Auslöser ein. Sobald ein stabiler Wasserstrahl aus der Schaltpistole ausgestoßen wird, lassen Sie den Auslöser los, und bringen Sie die für Ihre Zwecke geeignete Düse an.

► **Abb.10:** 1. Schaltpistole

HINWEIS: Wenn kein Wasser ausgestoßen wird, nehmen Sie den Saugschlauchsatz ab, und tauchen Sie ihn in Wasser. Schließen Sie ihn dann wieder an den Hochdruckreiniger an.

► **Abb.11:** 1. Saugschlauchsatz

MONTAGE

⚠ VORSICHT: Vergewissern Sie sich vor der Ausführung von Arbeiten am Werkzeug stets, dass es ausgeschaltet und vom Stromnetz getrennt ist.

Montieren des Tragegriffs

Nur für das Modell HP351

1. Verbinden Sie die vordere und hintere Hälfte des Griffs, indem Sie die Schraubenbohrungen am Hochdruckreiniger-Hauptteil ausrichten.

► **Abb.12:** 1. Vordere Hälfte des Griffs
2. Hintere Hälfte des Griffs
3. Hochdruckreiniger-Hauptteil

2. Sichern Sie den Tragegriff mit Schrauben (7 Stück).

► **Abb.13**

Anschließen des Hochdruckschlauchs

Nur für das Modell HP351

Schließen Sie den Hochdruckschlauch an den Auslass (mit der Pistolenmarkierung) an. Drehen Sie die Mutter am Hochdruckschlauch im Uhrzeigersinn, während Sie sie auf das Gewinde des Auslasses schrauben.

► **Abb.14:** 1. Auslass 2. Mutter

⚠ VORSICHT: Vergewissern Sie sich, dass der Hochdruckschlauch sicher angeschlossen ist. Bei einer lockeren Verbindung kann der Hochdruckschlauch weggeschleudert werden, was zu einem Personenschaden führen kann.

Anbringen der Schaltpistole

Schließen Sie den Hochdruckschlauch an den Einlass der Schaltpistole an. Drehen Sie die Mutter am Hochdruckschlauch im Uhrzeigersinn, während Sie sie auf das Gewinde des Einlasses schrauben.

► **Abb.15:** 1. Einlass 2. Mutter

⚠ VORSICHT: Vergewissern Sie sich, dass der Hochdruckschlauch sicher angeschlossen ist. Bei einer lockeren Verbindung kann der Hochdruckschlauch weggeschleudert werden, was zu einem Personenschaden führen kann.

Anschließen an einen Wasserhahn

⚠ VORSICHT: Verwenden Sie immer einen druckfesten Wasserschlauch mit einem Durchmesser von $\varnothing 13$ mm oder mehr, und schließen Sie ihn an den Wasserhahn mit geeigneten Armaturen an. Anderenfalls kann der Wasserschlauch und/oder die Armatur brechen und Personenschäden verursachen.

ANMERKUNG: Der druckfeste Wasserschlauch sollte so kurz wie möglich sein. Die Menge des Ansaugwassers sollte größer als das maximale Fördervolumen der Pumpe sein.

ANMERKUNG: Wenn Sie das Gerät an die Trinkwasserversorgung anschließen, verwenden Sie ein Rückflussverhinderungsventil, das die Vorschriften in Ihrer Region erfüllt.

Bereiten Sie einen druckfesten Wasserschlauch vor. Bringen Sie die Kupplungsmuffe an einem Ende an, und verbinden Sie das andere Ende wie folgt mit dem Wasserhahn.

1. Entfernen Sie die Mutter an der Kupplungsmuffe, und führen Sie den druckfesten Wasserschlauch durch die Mutter. Führen Sie das Schlauchende in die Kupplungsmuffe ein, und ziehen Sie dann die Mutter fest.

► **Abb.16:** 1. Druckfester Wasserschlauch 2. Mutter der Kupplungsmuffe 3. Kupplungsmuffe

HINWEIS: Wenn Sie den druckfesten Wasserschlauch mit einer Kupplungsmuffe an den Wasserhahn anschließen, bringen Sie eine an beiden Enden des Schlauchs an.

2. Schließen Sie den druckfesten Wasserschlauch an den Wasserhahn an. Bringen Sie eine geeignete Armatur, wie z. B. eine Schlauchschelle oder eine Wasserhahnkupplung, an, um das Schlauchende am Wasserhahn zu sichern.

► **Abb.17:** 1. Schlauchschelle
2. Wasserhahnkupplung 3. Druckfester Wasserschlauch

HINWEIS: Die Art der Armatur hängt von der Form des Wasserhahns ab, an den Sie den Anschluss vornehmen. Bereiten Sie eine geeignete handelsübliche Armatur vor.

3. Bringen Sie den Wasserschlauchverbinder am Einlass (mit der Wasserhahnmarkierung) an, und führen Sie dann die Kupplungsmuffe ein.

► **Abb.18:** 1. Kupplungsmuffe
2. Wasserschlauchverbinder 3. Einlass

Anbringen/Abnehmen der Düse

⚠ VORSICHT: Verriegeln Sie immer den Auslöser, wenn Sie die Düse anbringen/abnehmen.

Führen Sie das Ende der Düse in den Schlitz an der Schaltpistole ein, und drehen Sie es in Pfeilrichtung, wie in der Abbildung gezeigt. Zum Abnehmen drehen Sie die Düse in umgekehrter Richtung, während Sie sie gegen die Schaltpistole drücken.

► **Abb.19:** 1. Schaltpistole 2. Schlitz 3. Ende der Düse

Bei einigen optionalen Düsen muss das Verbindungsstück (Sonderzubehör) an der Schaltpistole angebracht werden. Bringen Sie das Verbindungsstück auf die gleiche Weise wie die Düse an der Schaltpistole an.

► **Abb.20:** 1. Düse 2. Verbindungsstück
3. Schaltpistole

HINWEIS: Das Verbindungsstück wird benötigt, wenn die im Lieferumfang eines anderen Modells, HP-350 oder HP-400, enthaltenen Düsen verwendet werden.

Anschließen der Schaumdüse

⚠ VORSICHT: Verriegeln Sie immer den Auslöser, wenn Sie die Düse anbringen/abnehmen.

Bereiten Sie ein Reinigungsmittel vor, bevor Sie die Schaumdüse verwenden.

1. Entfernen Sie die Düse durch Drehen entgegen dem Uhrzeigersinn vom Tank. Bringen Sie die Düse an der Schaltpistole an.

► **Abb.21:** 1. Düse 2. Schaltpistole

2. Gießen Sie das Reinigungsmittel in den Tank, und montieren Sie diesen an der Düse.

► **Abb.22:** 1. Tank

ANMERKUNG: Verwenden Sie immer ein neutrales Reinigungsmittel. Säurehaltiges oder alkalisches Reinigungsmittel kann den Tank oder die Düse beschädigen.

BETRIEB

⚠ WARNUNG: Berühren Sie den Wasserstrahl nicht, und richten Sie ihn auch nicht auf sich selbst oder andere. Der Wasserstrahl ist gefährlich und kann Sie oder andere verletzen.

⚠ WARNUNG: Wenn Sie den Wasserstrahl abgeben, halten Sie den zu reinigenden Gegenstand niemals mit der Hand, und bringen Sie auch nicht Ihre Hände und Füße in die Nähe des Wasserstrahls.

⚠ VORSICHT: Seien Sie auf der Hut vor dem Rückstoß des Wasserstrahls und vor weggeschleuderten Gegenständen. Halten Sie die Düse nicht näher als 30 cm .

⚠ VORSICHT: Lassen Sie den Hochdruckreiniger nicht länger als 1 Minute ohne Wasser laufen.

⚠ VORSICHT: Betreiben Sie den Hochdruckreiniger nicht über eine längere Zeitspanne. Dies kann zu Überhitzung oder einem Brand führen. Außerdem kann langfristige Benutzung Gefährdung durch Vibrationen mit sich bringen.

⚠ VORSICHT: Achten Sie auf die Windrichtung. Falls das Reinigungsmittel in Ihre Augen oder Ihren Mund gelangt, spülen Sie die betroffenen Stellen sofort mit Frischwasser ab, und suchen Sie nötigenfalls ärztliche Behandlung auf.

ANMERKUNG: Vermeiden Sie den Gebrauch des Hochdruckreinigers für mehr als 1 Stunde. Legen Sie nach 1-stündigem Gebrauch eine ebenso lange Pause ein.

1. Schließen Sie das Ende des Hochdruckschlauchs an die Schaltpistole an. Schließen Sie das andere Ende im Falle des Modells HP351 an den Hochdruckreiniger an. Wickeln Sie den Schlauch im Falle des Modells HP401 vollständig ab.
2. Schließen Sie den Hochdruckreiniger an den Wasserhahn an, und öffnen Sie dann den Wasserhahn.
▶ **Abb.23**

ANMERKUNG: Um den Mechanismus des Hochdruckreinigers zu schützen, verwenden Sie kein Wasser, das heißer als 40 °C ist.

3. Schließen Sie den Hochdruckreiniger an das Stromnetz an, und schalten Sie ihn ein.
▶ **Abb.24:** 1. Netzschalter
4. Um einen Wasserstrahl abzugeben, entriegeln Sie den Stopper, und drücken Sie den Auslöser. Der Strahl wird abgegeben, solange der Auslöser gedrückt gehalten wird.
▶ **Abb.25:** 1. Stopper

⚠ VORSICHT: Halten Sie die Schaltpistole mit festem Griff. Die Betätigung des Auslösers bewirkt einen Rückstoß an der Schaltpistole.

⚠ VORSICHT: Halten Sie die Schaltpistole beim Reinigen immer am Griff und am Pistolenlauf. Berühren Sie bei laufendem Motor keinen Teil des Hochdruckreiniger-Hauptteils außer dem Tragegriff und dem Netzschalter.

ANMERKUNG: Achten Sie darauf, dass Sie die Schaltpistole während des Betriebs nicht gewaltsam ziehen. Dies kann zum Umkippen des Hochdruckreinigers führen.

Nach dem Betrieb

⚠ VORSICHT: Führen Sie nach dem Betrieb immer das in dieser Anleitung beschriebene Verfahren durch. Restdruck in der Schaltpistole oder im Hochdruckreiniger kann Personenschäden oder Beschädigung der internen Pumpe verursachen.

1. Lassen Sie den Netzschalter nach dem Betrieb eingeschaltet.
2. Schließen Sie den Wasserhahn, und trennen Sie den Hochdruckschlauch vom Hochdruckreiniger.
▶ **Abb.26**
3. Drücken Sie den Auslöser, bis das restliche Wasser im Hochdruckreiniger ausgestoßen wird. Lassen Sie den Motor nicht länger als 1 Minute laufen.
▶ **Abb.27**

4. Schalten Sie den Hochdruckreiniger aus, und trennen Sie ihn vom Stromnetz.
▶ **Abb.28:** 1. Netzschalter

5. Trennen Sie den Hochdruckschlauch von der Schaltpistole.
▶ **Abb.29:** 1. Schaltpistole 2. Hochdruckschlauch

Trennen Sie beim Modell HP351 auch den Hochdruckschlauch vom Hochdruckreiniger.
▶ **Abb.30:** 1. Hochdruckschlauch

Wickeln Sie den Schlauch beim Modell HP401 auf, und fixieren Sie das Schlauchende.
▶ **Abb.31:** 1. Klinke 2. Kurbelgriff

ANMERKUNG: Um eine Beschädigung des Hochdruckschlauchs zu verhindern, lassen Sie das restliche Wasser im Schlauch vor der Lagerung ab.

WARTUNG UND LAGERUNG

⚠ VORSICHT: Vergewissern Sie sich vor der Durchführung von Überprüfungen oder Wartungsarbeiten des Werkzeugs stets, dass es ausgeschaltet und vom Stromnetz getrennt ist.

ANMERKUNG: Verwenden Sie auf keinen Fall Benzin, Waschbenzin, Verdünnern, Alkohol oder dergleichen. Solche Mittel können Verfärbung, Verformung oder Rissbildung verursachen.

Reinigen der Düse

Verwenden Sie den Reinigungsstift, um Schmutz von der Düse zu entfernen oder Verstopfungen zu beseitigen.

▶ **Abb.32:** 1. Reinigungsstift

ANMERKUNG: Entfernen Sie Schmutz oder Unrat nicht gewaltsam. Dies kann zu Personenschäden oder Beschädigung der Austrittsöffnung führen, wodurch abgewichene Strahlwinkel oder schlechte Leistung verursacht werden können.

Reinigen des Filters

Lösen Sie den Wasserschlauchverbinder, und entfernen Sie Schmutz und Unrat aus dem Inneren des Filters.

- **Abb.33:** 1. Wasserschlauchverbinder 2. Filter
3. Dichtungsring

Wenn Sie den Saugschlauchsatz (Sonderzubehör) verwenden, nehmen Sie den Filter aus dem Filtergehäuse heraus, und entfernen Sie Schmutz und Unrat.

- **Abb.34:** 1. Filter 2. Filtergehäuse

HINWEIS: Um die optimale Leistung aufrechtzuerhalten, reinigen Sie den Filter regelmäßig.

Lagerung

Wickeln Sie den Schlauch und das Kabel auf. Stecken Sie die Schaltpistole und die Düsen in die Aufbewahrungstaschen.

HP351

- **Abb.35**

HP401

- **Abb.36**

⚠ VORSICHT: Lagern Sie das Gerät immer in einem Innenraum, wo die Temperatur nicht unter den Gefrierpunkt sinkt. Falls der Hochdruckreiniger einfriert und nicht richtig funktioniert, kontaktieren Sie Ihr örtliches Service-Center für Reparaturen.

⚠ VORSICHT: Benutzen Sie immer den Tragegriff zum Transportieren des Hochdruckreinigers. Tragen Sie ihn nicht am Schlauch oder Kabel. Anderenfalls kann der Schlauch oder das Kabel beschädigt werden.

⚠ VORSICHT: Tragen Sie den Hochdruckreiniger nicht mit abgewickelterm Schlauch und/oder Kabel. Der/Das abgewickelte Schlauch/Kabel kann beschädigt oder mit anderen Gegenständen verwickelt werden, was zu Personenschäden oder Bruchschäden führen kann.

Um die SICHERHEIT und ZUVERLÄSSIGKEIT dieses Produkts zu gewährleisten, sollten Reparaturen und andere Wartungs- oder Einstellarbeiten nur von Makita-Vertragswerkstätten oder Makita-Kundendienstzentren unter ausschließlicher Verwendung von Makita-Originalersatzteilen ausgeführt werden.

FEHLERSUCHE

Bevor Sie den Reparatordienst anrufen, führen Sie zunächst Ihre eigene Inspektion durch. Falls Sie ein Problem finden, das nicht in der Anleitung erläutert wird, versuchen Sie nicht, das Werkzeug zu zerlegen.

Wenden Sie sich stattdessen an autorisierte Dolmar-Kundendienstzentren, und achten Sie darauf, dass stets Dolmar-Ersatzteile für Reparaturen verwendet werden.

Zustand der Unregelmäßigkeit	Wahrscheinliche Ursache (Funktionsstörung)	Abhilfemaßnahme
Der Reiniger startet nicht.	Kein Strom	Schließen Sie den Netzstecker an das Stromnetz an. Prüfen Sie auch, ob das Stromnetz mit Strom versorgt wird.
	Der Schalter ist nicht eingeschaltet.	Schalten Sie den Schalter ein.
	Restdruck in der Pumpe	Betätigen Sie den Auslöser.
	Kabel oder Stromkreis beschädigt	Wenden Sie sich bezüglich einer Reparatur an ein autorisiertes Service-Center.
Kein Wasserstrahl / schwacher Wasserstrahl	Keine Wasserversorgung	Stellen Sie sicher, dass der Wasserhahn offen ist. Wenn Sie den Saugschlauchsatz verwenden, führen Sie dem Schlauch Wasser zu.
	Schlechte Wasserversorgung	Drehen Sie den Wasserhahn auf.
	Schlechter Wasserschlauchanschluss	Überprüfen Sie die Verbindung zwischen Wasserschlauch, Wasserhahn und Einlass des Hochdruckreinigers.
	Schlauch, Filter oder Düse verstopft	Beseitigen Sie die Verstopfung von Schlauch, Filter oder Düse.
	Luft blockiert den Wasserfluss.	Schalten Sie den Schalter aus und wieder ein, während Sie den Auslöser drücken.
	Düse beschädigt oder verschlissen	Ersetzen Sie die Düse.
Instabiler Wasserstrahl.	Funktionsstörung von Pumpe oder Ventil	Wenden Sie sich bezüglich einer Reparatur an ein autorisiertes Service-Center.
	Düse verstopft	Beseitigen Sie die Verstopfung der Austrittsöffnung der Düse mit dem Reinigungsstift.
	Schlechte Wasseransaugung	Überprüfen Sie den Wasserschlauch vom Wasserhahn ausgehend auf etwaige Undichtigkeit oder Verstopfung. Drehen Sie den Wasserhahn auf.
	Das Wasser ist zu heiß.	Führen Sie kühleres Wasser zu.
Anormales Geräusch.	Funktionsstörung des Ventils	Wenden Sie sich bezüglich einer Reparatur an ein autorisiertes Service-Center.
	Das Wasser ist zu heiß.	Führen Sie kühleres Wasser zu.
Wasser-/Ölleckage.	Luft ist in der Pumpe eingeschlossen.	Wenden Sie sich bezüglich einer Reparatur an ein autorisiertes Service-Center.
	Schlechte Verbindung	Überprüfen Sie die Verbindung zwischen dem Hochdruckschlauch, der Schaltwippe und dem Hochdruckreiniger.
Die Pumpe läuft nicht, obwohl das Motorgeräusch hörbar ist.	Verschlissene Dichtungen	Wenden Sie sich bezüglich einer Reparatur an ein autorisiertes Service-Center.
	Ungeeignetes Verlängerungskabel.	Verwenden Sie ein Verlängerungskabel, das für die Nennkapazität des Produkts geeignet ist.

SONDERZUBEHÖR

⚠ VORSICHT: Die folgenden Zubehörteile oder Vorrichtungen werden für den Einsatz mit dem in dieser Anleitung beschriebenen Dolmar-Werkzeug empfohlen. Die Verwendung anderer Zubehörteile oder Vorrichtungen kann eine Verletzungsgefahr darstellen. Verwenden Sie Zubehörteile oder Vorrichtungen nur für ihren vorgesehenen Zweck.

Wenn Sie weitere Einzelheiten bezüglich dieser Zubehörteile benötigen, wenden Sie sich bitte an Ihre Dolmar-Kundendienststelle.

HINWEIS: Manche Teile in der Liste können als Standardzubehör im Werkzeugsatz enthalten sein. Sie können von Land zu Land unterschiedlich sein.

Sprühlanze

► Abb.37

Die Strahlbreite kann durch Drehen des Vorderendes der Düse von 0° bis 25° eingestellt werden.

⚠ VORSICHT: Achten Sie beim Einstellen der Strahlbreite darauf, dass Sie die Düse nicht drehen, während Sie sie zur Schaltpistole ziehen. Die Düse kann sich sonst von der Schaltpistole lösen und Personenschäden verursachen.

Waschbürste (lang)

► Abb.38

Eine mit einer Bürste ausgestattete Düse. Praktisch zum Auswaschen von Schmutz bei gleichzeitigem Scrubben mit der Bürste.

Saugschlauchsatz

► Abb.39

Ersetzen Sie den Wasserschlauch durch diesen Satz, um Wasser aus einem Tank oder Behälter zuzuführen.

Rotationswaschbürste

► Abb.40

Drei Bürsten im Inneren drehen sich langsam, während der Strahl abgegeben wird. Geeignet zum Entfernen von leichtem Schmutz auf einer Außenwand, Autokarosserie, Badewanne usw.

Lanzenverlängerung

► Abb.41

Rohre zum Verlängern der Länge der Schaltpistole. Drei unterschiedliche Längen sind durch Ändern der Anzahl der zu verwendenden Rohre verfügbar.

Unterboden-Sprühlanze

► Abb.42

Eine besonders lange Sprühlanze mit angewinkelter Düse. Optimal zum Reinigen schwer erreichbarer Stellen, wie z. B. Unterboden eines Autos und Dachrinne.

⚠ VORSICHT: Verwenden Sie die Unterboden-Sprühlanze nicht mit der Lanzenverlängerung.

Spritzschutz

► Abb.43

Reduziert Rückspritzen beim Reinigen von Ecken mit dem Dreckfräser.

Drehkupplung

► Abb.44

Verhindert Verdrehen des Hochdruckschlauchs.

Verbindungsstück

► Abb.45

Zum Anschließen einer Düse eines anderen Modells.

HINWEIS: Das Verbindungsstück wird benötigt, wenn die im Lieferumfang eines anderen Modells, HP-350 oder HP-400, enthaltenen Düsen verwendet werden.

Rohrreinigungssatz (10 m/15 m)

► Abb.46

Zum Reinigen und Entstopfen von Rohrleitungen und Fallrohren.

⚠ VORSICHT: Schenken Sie dem Wasserstrahl besondere Aufmerksamkeit, wenn Sie den Rohrreinigungssatz verwenden. Ein äußerst starker Wasserstrahl wird rückwärts ausgestoßen.

Hochdruck-Verlängerungsschlauch (5 m/8 m/10 m)

► Abb.47

Verlängerungsschlauch zum Verbinden des Hochdruckreiniger-Hauptteils mit der Schaltpistole.

Makita Europe N.V. Jan-Baptist Vinkstraat 2,
3070 Kortenberg, Belgium

Makita Corporation 3-11-8, Sumiyoshi-cho,
Anjo, Aichi 446-8502 Japan

www.dolmar.com

885542B926 EN, PL, HU, SK, CS, UK, RO, DE 20170308
