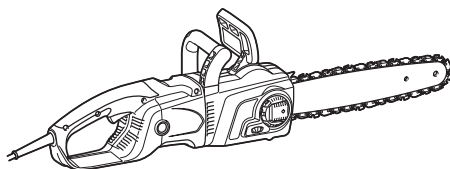
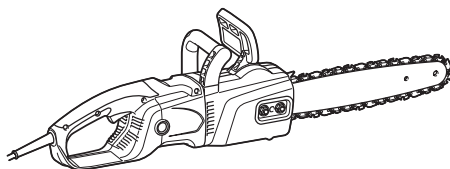


DOLMAR



EN	Electric Chain Saw	INSTRUCTION MANUAL	7
UK	Електрична ланцюгова пила	ІНСТРУКЦІЯ З ЕКСПЛУАТАЦІЇ	20
PL	Elektryczna Pilarka Łańcuchowa	INSTRUKCJA OBSŁUGI	34
RO	Ferăstrău electric cu lanț	MANUAL DE INSTRUCȚIUNI	48
DE	Elektro - Motorsäge	BEDIENUNGSANLEITUNG	62
HU	Elektromos láncfűrész	HASZNÁLATI KÉZIKÖNYV	76
SK	Elektrická reťazová píla	NÁVOD NA OBSLUHU	89
CS	Elektrická řetězová píla	NÁVOD K OBSLUZE	102

ES-154 ES-154 TLC
ES-164 ES-164 TLC
ES-174 ES-174 TLC
ES-184 ES-184 TLC
ES-2131 ES-2131 TLC
ES-2136 ES-2136 TLC
ES-2141 ES-2141 TLC
ES-2146 ES-2146 TLC



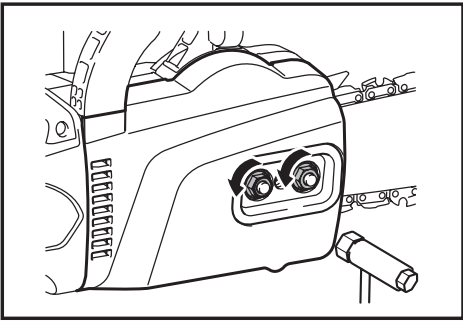


Fig.1

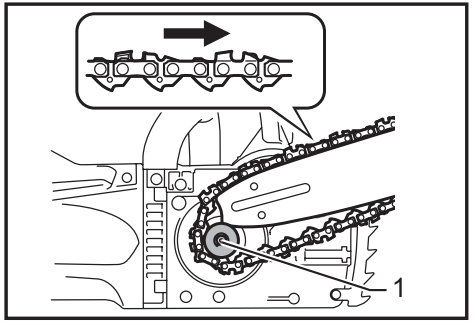


Fig.5

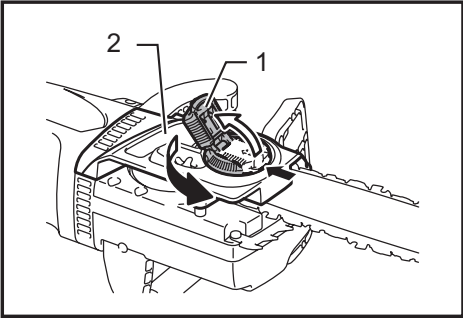


Fig.2

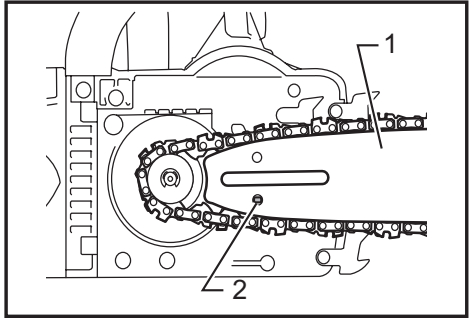


Fig.6

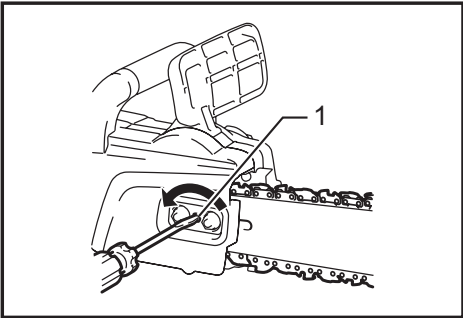


Fig.3

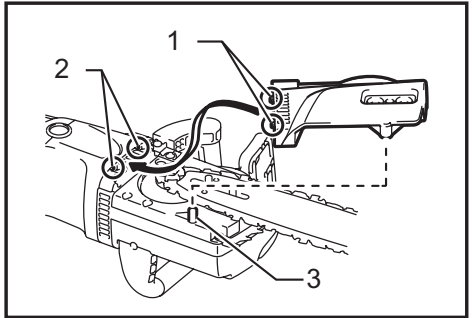


Fig.7

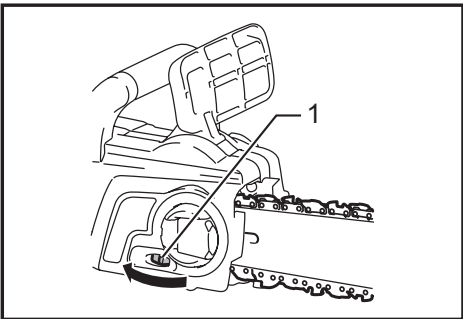


Fig.4

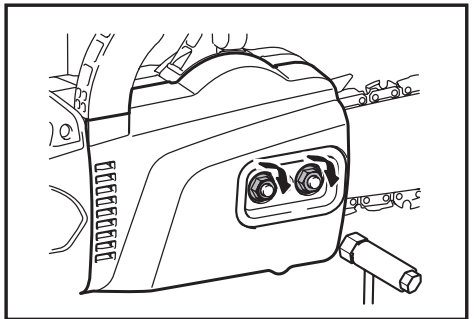


Fig.8

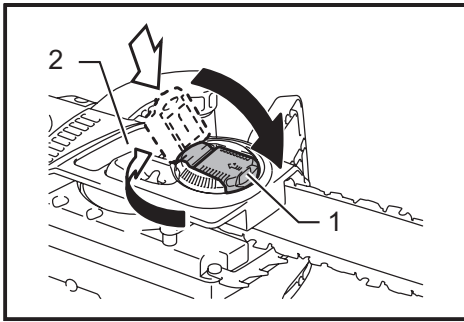


Fig.9

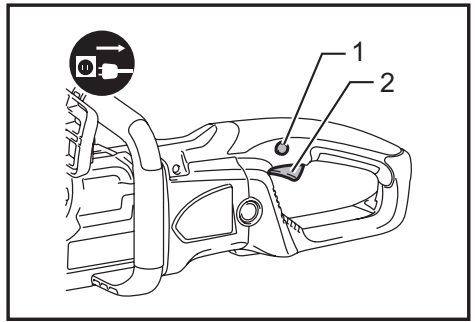


Fig.13

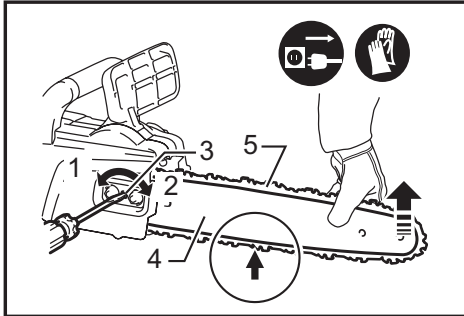


Fig.10

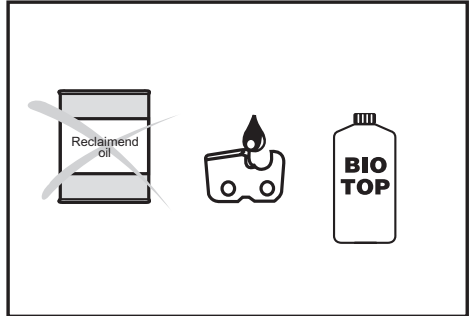


Fig.14

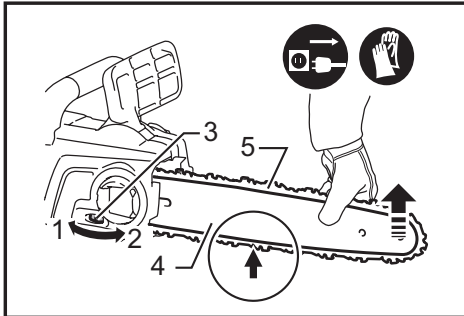


Fig.11

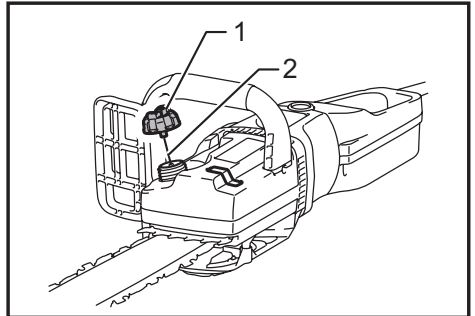


Fig.15

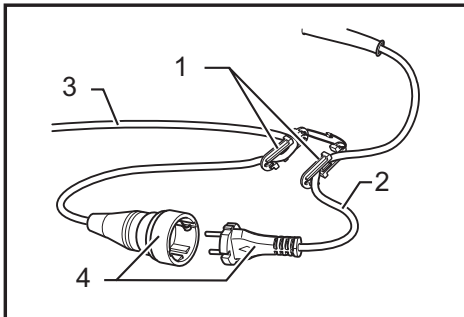


Fig.12

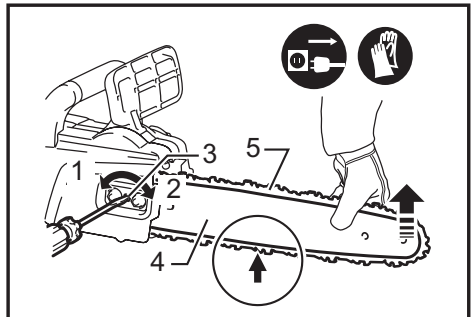


Fig.16

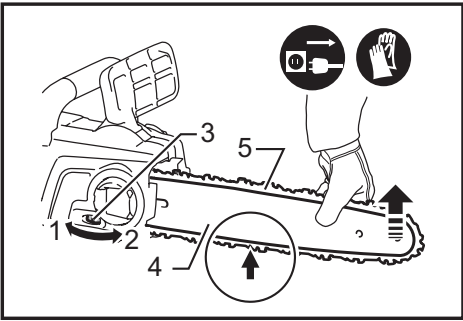


Fig.17

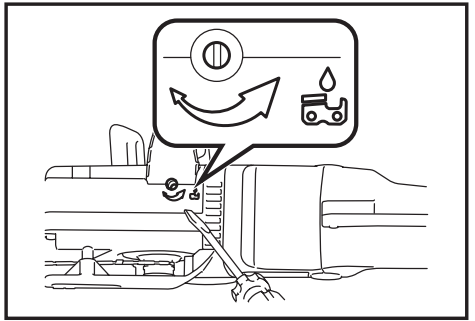


Fig.21

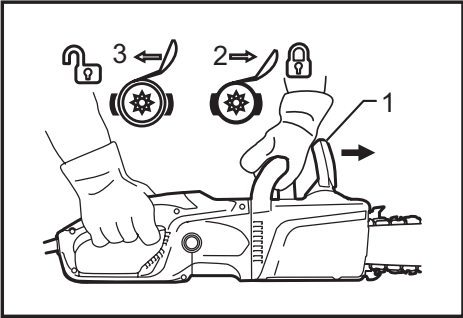


Fig.18

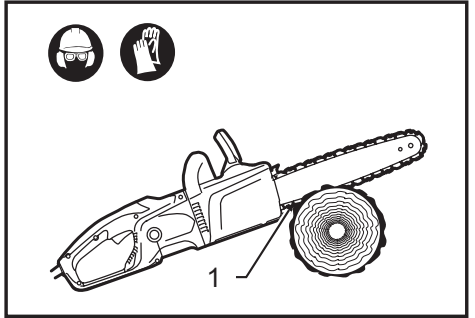


Fig.22

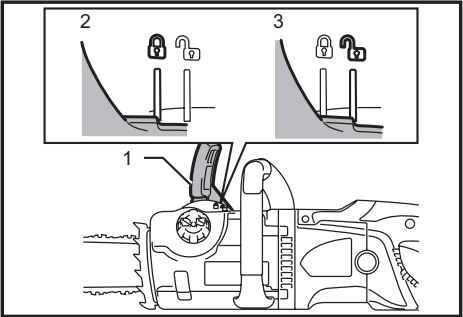


Fig.19

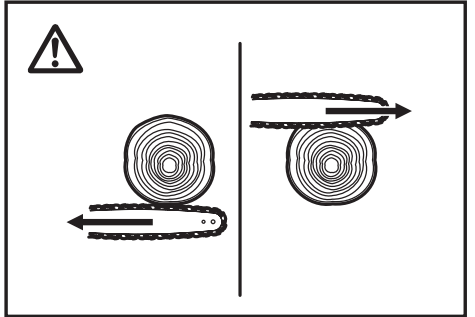


Fig.23

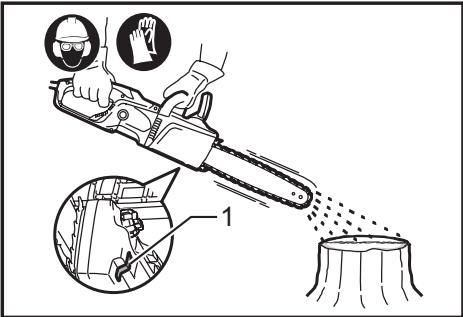


Fig.20

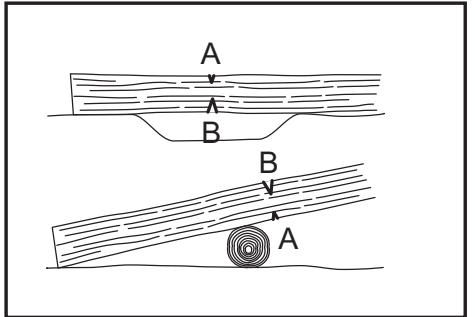


Fig.24

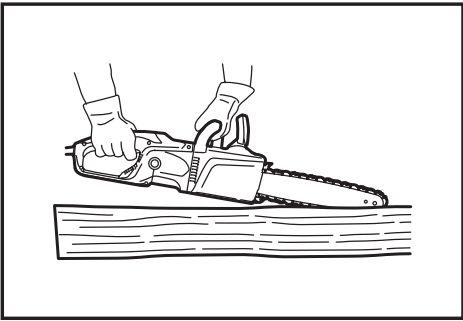


Fig.25

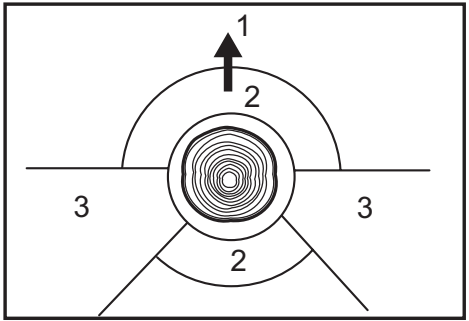


Fig.29

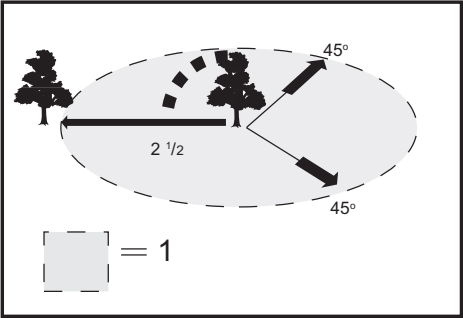


Fig.26

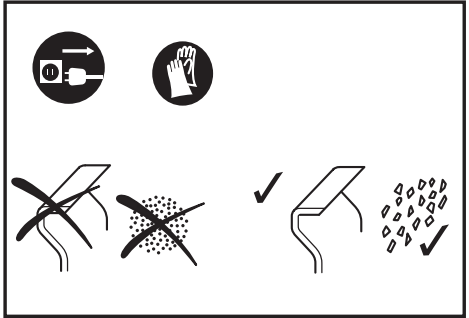


Fig.30

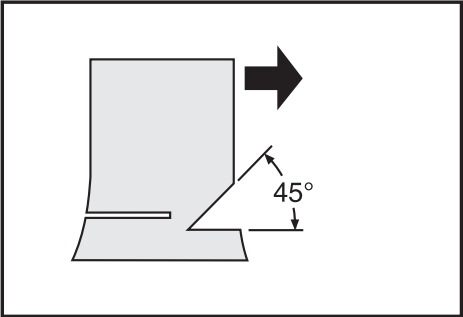


Fig.27

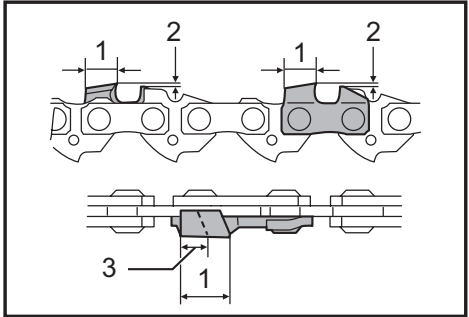


Fig.31

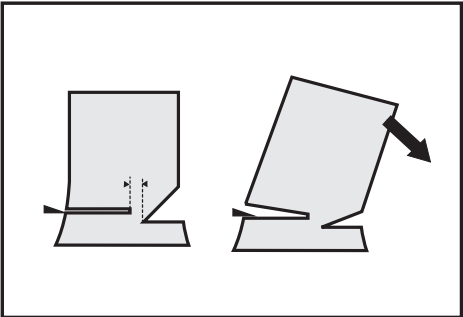


Fig.28

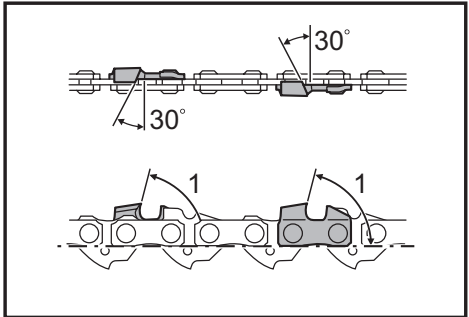


Fig.32

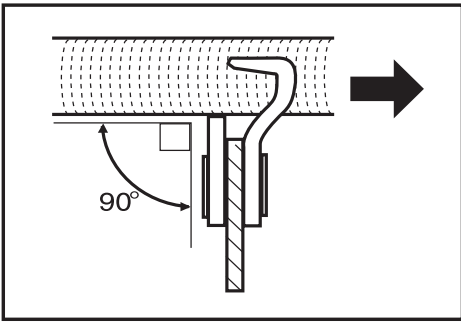


Fig.33

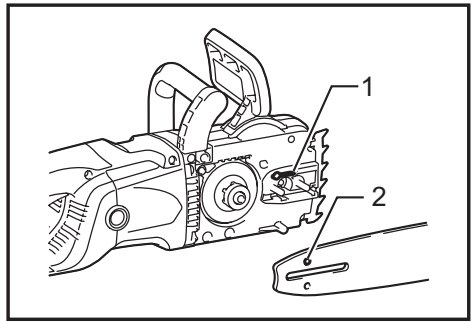


Fig.37

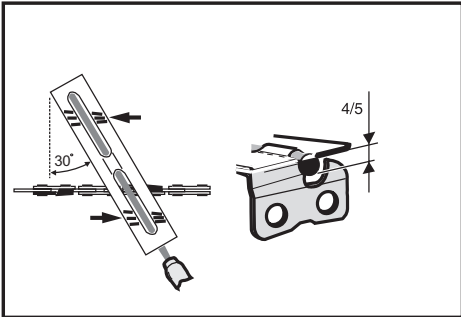


Fig.34

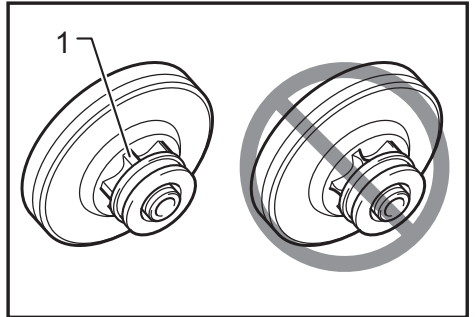


Fig.38

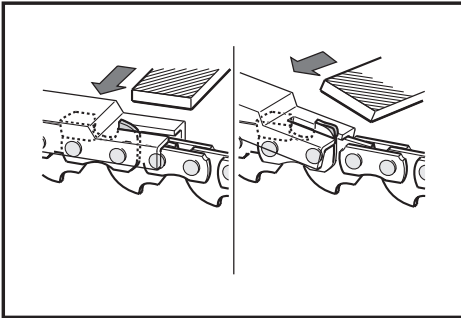


Fig.35

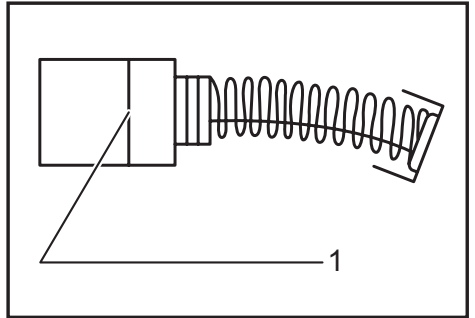


Fig.39

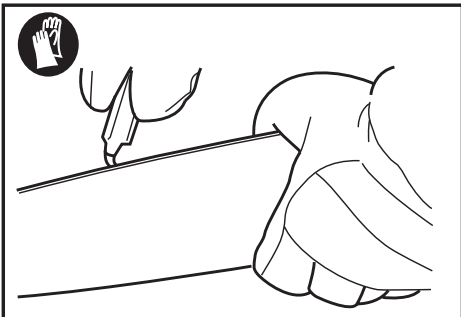


Fig.36

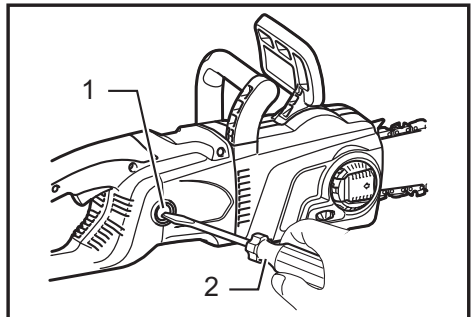


Fig.40






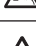





SPECIFICATIONS









Model	ES-154	ES-154 TLC	ES-164	ES-164 TLC	ES-174	ES-174 TLC	ES-184	ES-184 TLC		
	ES-2131	ES-2131 TLC	ES-2136	ES-2136 TLC	ES-2141	ES-2141 TLC	ES-2146	ES-2146 TLC		
Max. chain speed	14.5 m/s (870 m/min)									
Standard guide bar	Bar length		300 mm		350 mm		400 mm		450 mm	
	Cutting length		260 mm		320 mm		355 mm		415 mm	
	Guide bar type		Sprocket nose bar							
Standard saw chain	Type		492 (91PX)							
	Pitch		3/8"							
	No. of drive links		46		52		56		62	
Recommended guide bar length	300 - 450 mm									
Overall length (without guide bar)	505 mm									
Net weight	5.4 kg		5.5 kg		5.5 kg		5.6 kg		5.7 kg	
Extension cable (optional)	DIN 57282/HO 7RN -F L=30 m max.,3x1.5 mm ²									

- Due to our continuing program of research and development, the specifications herein are subject to change without notice.
- Specifications may differ from country to country.
- Weight according to EPTA-Procedure 01/2003

Symbol

The following show the symbols used for the equipment. Be sure that you understand their meaning before use.

	Read instruction manual and follow the warnings and safety instructions.
	Wear eye protection.
	Wear ear protection.
	DOUBLE INSULATION
	Caution: particular care and attention required!
	Caution: withdraw the mains plug immediately if the cable is damaged!
	Caution: kickback!
	Protect against rain and damp!
	Wear a helmet, goggles and ear protection!
	Wear safety gloves!
	Withdraw the mains plug!

	First aid
	Maximum permissible length of cut
	Direction of chain travel
	Chain oil
	Chain brake released
	Chain brake applied
	Prohibited!
	Only for EU countries Do not dispose of electric equipment together with household waste material! In observance of the European Directive, on Waste Electric and Electronic Equipment and its implementation in accordance with national law, electric equipment that have reached the end of their life must be collected separately and returned to an environmentally compatible recycling facility.

Intended use

The tool is intended for cutting lumbers and logs.

Power supply

The tool should be connected only to a power supply of the same voltage as indicated on the nameplate, and can only be operated on single-phase AC supply. They are double-insulated and can, therefore, also be used from sockets without earth wire.

Noise

The typical A-weighted noise level determined according to EN60745:

Sound pressure level (L_{pA}) : 90.8 dB (A)

Sound power level (L_{WA}) : 101.8 dB (A)

Uncertainty (K) : 2.5 dB (A)

Wear ear protection

Vibration

The vibration total value (tri-axial vector sum) determined according to EN60745:

Work mode : cutting wood

Vibration emission (a_{rh}) : 5.2 m/s²

Uncertainty (K) : 1.5 m/s²

NOTE: The declared vibration emission value has been measured in accordance with the standard test method and may be used for comparing one tool with another.

NOTE: The declared vibration emission value may also be used in a preliminary assessment of exposure.

⚠WARNING: The vibration emission during actual use of the power tool can differ from the declared emission value depending on the ways in which the tool is used.

⚠WARNING: Be sure to identify safety measures to protect the operator that are based on an estimation of exposure in the actual conditions of use (taking account of all parts of the operating cycle such as the times when the tool is switched off and when it is running idle in addition to the trigger time).

EC Declaration of Conformity

For European countries only

The EC declaration of conformity is included as Annex A to this instruction manual.

General Power Tool Safety Warnings

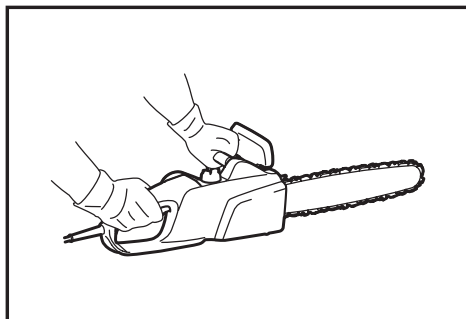
⚠WARNING Read all safety warnings and all instructions. Failure to follow the warnings and instructions may result in electric shock, fire and/or serious injury.

Save all warnings and instructions for future reference.

Chain saw safety warnings

- Keep all parts of the body away from the saw chain when the chain saw is operating. Before you start the chain saw, make sure the saw chain is not contacting anything.** A moment of inattention while operating chain saws may cause entanglement of your clothing or body with the saw chain.
- Always hold the chain saw with your right hand on the rear handle and your left hand on the front handle.** Holding the chain saw with a reversed hand configuration increases the risk of personal injury and should never be done.
- Hold the power tool by insulated gripping surfaces only, because the saw chain may contact hidden wiring or its own cord.** Saw chains contacting a "live" wire may make exposed metal parts of the power tool "live" and could give the operator an electric shock.
- Wear safety glasses and hearing protection. Further protective equipment for head, hands, legs and feet is recommended.** Adequate protective clothing will reduce personal injury by flying debris or accidental contact with the saw chain.
- Do not operate a chain saw in a tree.** Operation of a chain saw while up in a tree may result in personal injury.
- Always keep proper footing and operate the chain saw only when standing on fixed, secure and level surface.** Slippery or unstable surfaces such as ladders may cause a loss of balance or control of the chain saw.
- When cutting a limb that is under tension be alert for spring back.** When the tension in the wood fibres is released the spring loaded limb may strike the operator and/or throw the chain saw out of control.
- Use extreme caution when cutting brush and saplings.** The slender material may catch the saw chain and be whipped toward you or pull you off balance.
- Carry the chain saw by the front handle with the chain saw switched off and away from your body. When transporting or storing the chain saw always fit the guide bar cover.** Proper handling of the chain saw will reduce the likelihood of accidental contact with the moving saw chain.
- Follow instructions for lubricating, chain tensioning and changing accessories.** Improperly tensioned or lubricated chain may either break or increase the chance for kickback.
- Keep handles dry, clean, and free from oil and grease.** Greasy, oily handles are slippery causing loss of control.
- Cut wood only. Do not use chain saw for purposes not intended. For example: do not use chain saw for cutting plastic, masonry or non-wood building materials.** Use of the chain saw for operations different than intended could result in a hazardous situation.
- Causes and operator prevention of kickback:** Kickback may occur when the nose or tip of the guide bar touches an object, or when the wood closes in and pinches the saw chain in the cut. Tip contact in some cases may cause a sudden reverse reaction, kicking the guide bar up and back towards the operator. Pinching the saw chain along the top of the guide bar may push the guide bar rapidly back towards the operator. Either of these reactions may cause you to lose control of the saw which could result in serious personal injury. Do not rely exclusively upon the safety devices built into your saw. As a chain saw user, you should take several steps to keep your cutting jobs free from accident or injury. Kickback is the result of tool misuse and/or incorrect operating procedures or conditions and can be avoided by taking proper precautions as given below:

- **Maintain a firm grip, with thumbs and fingers encircling the chain saw handles, with both hands on the saw and position your body and arm to allow you to resist kickback forces.** Kickback forces can be controlled by the operator, if proper precautions are taken. Do not let go of the chain saw.



- **Do not overreach and do not cut above shoulder height.** This helps prevent unintended tip contact and enables better control of the chain saw in unexpected situations.
- **Only use replacement bars and chains specified by the manufacturer.** Incorrect replacement bars and chains may cause chain breakage and/or kickback.
- **Follow the manufacturer's sharpening and maintenance instructions for the saw chain.** Decreasing the depth gauge height can lead to increased kickback.

ADDITIONAL SAFETY RULES

1. Read the instruction manual in order to familiarize yourself with operation of the chain saw.
2. Before using the chain saw for the first time, arrange to have instruction in its operation. If this is not possible, at least practice cutting round timber on a trestle before beginning work.
3. The chain saw must not be used by children or young persons under 18 years of age. Young persons over 16 years of age may be exempted from this restriction if they are undergoing training under the supervision of an expert.
4. Working with the chain saw requires a high level of concentration. Do not work with the saw if you are not feeling fit and well. Carry out all work calmly and carefully.
5. Never work under the influence of alcohol, drugs or medication.

Proper use

1. The chain saw is intended solely for cutting wood. Do not use it for example to cut plastic or porous concrete.
2. Only use the chain saw for operations described in this instruction manual. Do **not**, for example, use it to trim hedges or for similar purposes.
3. The chain saw must not be used for forestry work, i.e. for felling and limbing standing timber. The chain saw cable does not provide the operator with the mobility and safety required for such work.

4. The chain saw is not intended for commercial use.
5. Do not overload the chain saw.

Personal protective equipment

1. Clothing must be close-fitting, but must not obstruct mobility.
2. Wear the following protective clothing during work:
 - A tested safety helmet, if a hazard is presented by falling branches or similar;
 - A face mask or goggles;
 - Suitable ear protection (ear muffs, custom or mouldable ear plugs). Octave band analysis upon request.
 - Firm leather safety gloves;
 - Long trousers manufactured from strong fabric;
 - Protective dungarees of cut-resistant fabric;
 - Safety shoes or boots with non-slip soles, steel toes, and cut-resistant fabric lining;
 - A breathing mask, when carrying out work which produces dust (e.g. sawing dry wood).

Protection against electric shock



The chain saw must not be used in wet weather or damp environments, as the electric motor is not waterproof.

1. Only plug the saw into sockets in tested electrical circuits. Check that the system voltage matches that on the rating plate. Ensure that a 16 A line fuse is fitted. Saws used in the open air must be connected to a residual current-operated circuit-breaker with an operating current no higher than 30 mA.



Should the connecting cable be damaged, withdraw the mains plug immediately.

Safe working practices

1. Before starting work, check that the chain saw is in proper working order and that its condition complies with the safety regulations. Check in particular that:
 - The chain brake is working properly;
 - The run-down brake is working properly;
 - The bar and the sprocket cover are fitted correctly;
 - The chain has been sharpened and tensioned in accordance with the regulations;
 - The mains cable and mains plug are undamaged;

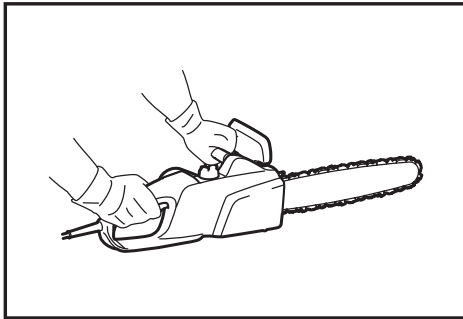
Refer to the "CHECKS" section.

2. Always ensure in particular that the extension cable used is of adequate cross-section (see "SPECIFICATIONS"). When using a cable reel, wind the cable completely off the reel. When using the saw in the open air, ensure that the cable employed is intended for open-air use and is rated accordingly.
3. Keep the cord away from the cutting area and to position cord so that it will not be caught on branches, and the like, during cutting.

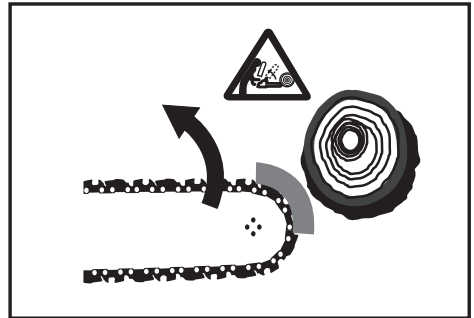
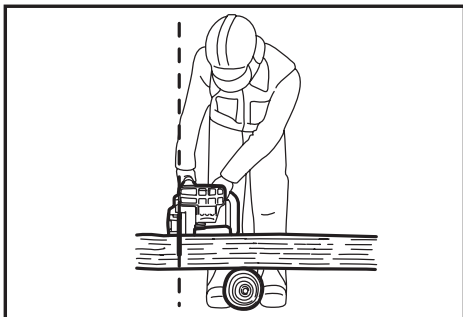
4. Do not operate the chain saw in the vicinity of flammable dust or gases, as the motor generates sparks and presents a **risk of explosion**.
5. Work only on firm ground and with a good footing. Pay particular attention to obstacles (e.g. the cable) in the working area. Take particular care where moisture, ice, snow, freshly cut wood or bark may make surfaces slippery. Do not stand on ladders or trees when using the saw.
6. Take particular care when working on sloping ground; rolling trunks and branches pose a potential hazard.
7. Never cut above shoulder height.
8. **Hold the chain saw with both hands when switching it on and using it.** Hold the rear handle with your right hand and the front handle with your left. Hold the handles firmly with your thumbs. The bar and the chain must not be in contact with any objects when the saw is switched on.
17. When moving around between sawing operations, apply the chain brake in order to prevent the chain from being operated unintentionally. Hold the chain saw by the front handle when carrying it, and do not keep your finger on the switch.
18. Withdraw the mains plug when taking breaks or leaving the chain saw unattended. Leave the chain saw where it cannot present a hazard.

Kickback

1. Hazardous kickback may arise during work with the chain saw. Kickback arises when the tip of the bar (in particular the upper quarter) comes into contact with wood or another solid object. This causes the chainsaw to be deflected in the direction of the operator.



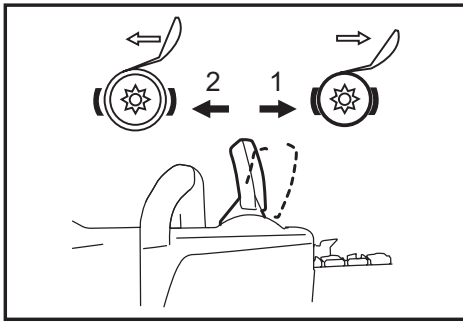
9. Clean the area to be cut of foreign objects such as sand, stones, nails, wire, etc. Foreign objects damage the bar and chain, and can lead to dangerous kickback.
10. Take particular care when cutting in the vicinity of wire fences. Do not cut into the fence, as the saw may kick back.
11. Do not cut into the ground.
12. Cut pieces of wood singly, not in bunches or stacks.
13. Avoid using the saw to cut thin branches and roots, as these can become entangled in the chain saw. Loss of balance presents a hazard.
14. Use a secure support (trestle) when cutting sawn timber.
15. Do not use the chain saw to prise off or brush away pieces of wood and other objects.
16. Guide the chain saw such that no part of your body is within the extended path of the saw chain (see figure).



2. In order to avoid kickback, observe the following:
 - Never begin the cut with the tip of the bar.
 - Never use the tip of the bar for cutting. Take particular care when resuming cuts which have already been started.
 - Start the cut with the chain running.
 - Always sharpen the chain correctly. In particular, set the depth gauge to the correct height.
 - Never saw through several branches at a time.
 - When limbing, take care to prevent the bar from coming into contact with other branches.
 - When bucking, keep clear of adjacent trunks. Always observe the bar tip.
 - Use a trestle.

Safety features

1. Always check that the safety features are in working order before starting work. Do not use the chain saw if the safety features are not working properly.
 - **Chain brake:**
The chain saw is fitted with a chain brake which brings the saw chain to a standstill within a fraction of a second. It is activated when the hand guard is pushed forwards. The saw chain then stops within 0.15 s, and the power supply to the motor is interrupted.



1. Chain brake applied 2. Chain brake released

— **Run-down brake:**

The chain saw is equipped with a run down brake which brings the saw chain to an immediate stop when the ON/OFF switch is released. This prevents the saw chain from running on when switched off, and thus presenting a hazard.

— The **front and rear hand guards** protect the user against injury from pieces of wood which may be thrown backwards, or a broken saw chain.

— The **trigger lockout** prevents the chain saw from being switched on accidentally.

— The **chain catcher** protects the user against injury should the chain jump or break.

Transport and storage



When the chain saw is not in use or is being transported, withdraw the mains plug and fit the guide bar cover supplied with the saw. Never carry or transport the saw with the saw chain running.

1. Carry the chain saw by the front handle only, with the bar pointing backwards.
2. Keep the chain saw in a secure, dry and locked room out of the reach of children. Do not store the chain saw outdoors.

MAINTENANCE

1. Withdraw the plug from the socket before carrying out any adjustments or maintenance.
2. Check the power cable regularly for damage to the insulation.
3. Clean the chain saw regularly.
4. Have any damage to the plastic housing repaired properly and immediately.
5. Do not use the saw if the switch trigger is not working properly. Have it properly repaired.
6. Under no circumstances should any modifications be made to the chain saw. Your safety is at risk.
7. Do not carry out maintenance or repair work other than that described in this instruction manual. Any other work must be carried out by authorized service centers.
8. Only use genuine replacement parts and accessories intended for your model of saw. The use of other parts increases the risk of accident.

9. We accept no responsibility for accidents or damage should non-approved bars, saw chains or other replacement parts or accessories be used.

First aid



Do not work alone. Always work within shouting distance of a second person.

1. Always keep a first-aid box to hand. Replace any items taken from it immediately.
2. Should you request assistance in the event of an accident, state the following:
 - Where did the accident happen?
 - What happened?
 - How many persons are injured?
 - What injuries do they have?
 - Who is reporting the accident?

NOTE: Individuals with poor circulation who are exposed to excessive vibration may experience injury to blood vessels or the nervous system.

Vibration may cause the following symptoms to occur in the fingers, hands or wrists: "Falling asleep" (numbness), tingling, pain, stabbing sensation, alteration of skin colour or of the skin.

If any of these symptoms occur, see a physician!

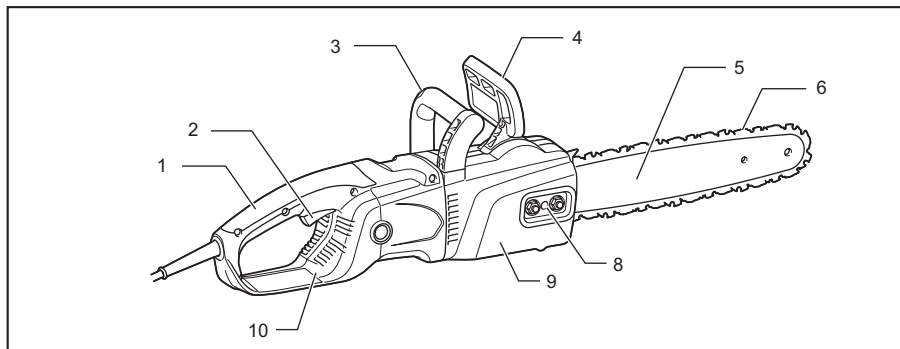
SAVE THESE INSTRUCTIONS.

⚠WARNING: DO NOT let comfort or familiarity with product (gained from repeated use) replace strict adherence to safety rules for the subject product. MISUSE or failure to follow the safety rules stated in this instruction manual may cause serious personal injury.

DESIGNATION OF PARTS

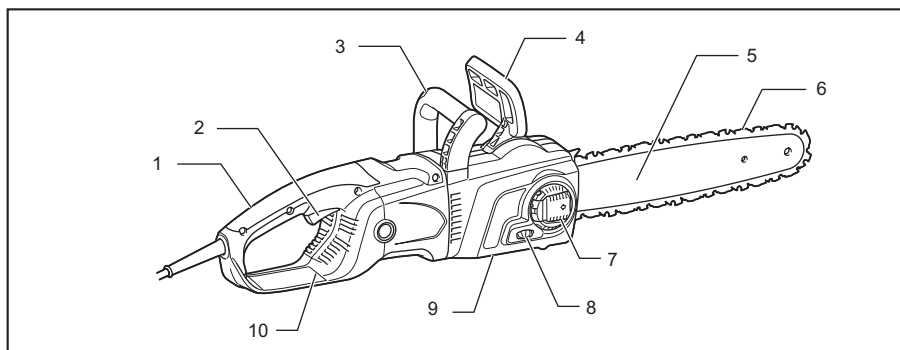
(Nut model: the sprocket cover is tightened by nuts.)

For Model ES-154, ES-164, ES-174, ES-184, ES-2131,
ES-2136, ES-2141, ES-2146

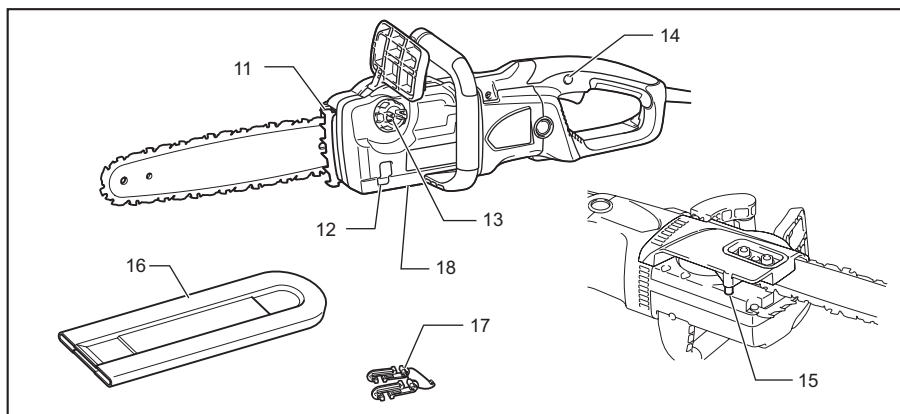


(Lever model: the sprocket cover is tightened by lever.)

For Model ES-154 TLC, ES-164 TLC, ES-174 TLC, ES-184 TLC,
ES-2131 TLC, ES-2136 TLC, ES-2141 TLC, ES-2146 TLC



(For all models)



1	Rear handle	7	Lever	13	Oil filler cap
2	Switch trigger	8	Adjusting screw/dial	14	Lock-off button
3	Front handle	9	Sprocket cover	15	Chain catcher
4	Front hand guard	10	Rear hand guard	16	Guide bar cover
5	Guide bar	11	Spike bumper	17	Cord hook
6	Saw chain	12	Oil level sight	18	Adjusting screw for oil pump (at the bottom)

ASSEMBLY

⚠ CAUTION:

- Always be sure that the tool is switched off and unplugged before carrying out any work on the tool.

Removing or installing sprocket cover

To remove the sprocket cover, perform the following steps:

(For nut models)

► Fig.1

Loosen the nut.

(For lever models)

► Fig.2: 1. Lever 2. Sprocket cover

Press and fully open the lever until it stops.
Turn the lever counterclockwise.

To install the sprocket cover, perform the above steps in reverse.

Removing or installing saw chain

⚠ CAUTION:

- Always wear gloves when installing or removing the saw chain.

To remove the saw chain, perform the following steps:

1. Loosen the sprocket cover.
2. (For nut models) Turn the chain adjusting screw counterclockwise to release the saw chain tension.
(For lever models) Turn the adjusting dial to "-" direction to loosen the saw chain tension.

► Fig.3: 1. Adjusting screw

► Fig.4: 1. Adjusting dial

3. Remove the sprocket cover.
4. Remove the saw chain and guide bar from the chain saw.

To install the saw chain, perform the following steps:

5. Make sure the direction of the chain. The arrow mark on the chain shows the direction of the chain.

► Fig.5: 1. Sprocket

6. Fit in one end of the saw chain on the top of the guide bar and the other end of it around the sprocket.
7. Place the guide bar on the chain saw.
8. Align the tension slide with the hole of the guide bar.
► Fig.6: 1. Guide bar 2. Hole
9. Holding the guide bar, and turn the chain adjusting screw / dial to adjust the saw chain tension.
10. Place the sprocket cover so that the hooks fit alongside the holes and the pin fits its counterpart on the sprocket cover.
► Fig.7: 1. Hook 2. Hole 3. Pin
11. Tighten the sprocket cover.
► Fig.8
- Fig.9: 1. Lever 2. Sprocket cover

Adjusting saw chain tension

The saw chain may become loose after many hours of use. From time to time check the saw chain tension before use.

1. Loosen the sprocket cover lightly.
2. Lift up the guide bar tip slightly.
3. Turn the adjusting screw / dial to adjust saw chain tension.

► Fig.10: 1. Loosen 2. Tighten 3. Chain adjusting screw 4. Guide bar 5. Saw chain

► Fig.11: 1. Loosen 2. Tighten 3. Adjusting dial 4. Guide bar 5. Saw chain

4. Tighten the saw chain until the lower side of the saw chain fits in the guide bar rail (see circle).
5. Keep holding the guide bar lightly, tighten the sprocket cover after adjusting the chain tension. Make sure that the saw chain does not loose at lower side.

Make sure the saw chain fits snugly against the lower side of the bar.

⚠ CAUTION:

- Do not tighten the saw chain too much. Excessively high tension of saw chain may cause breakage of saw chain, wear of the guide bar and breakage of the adjusting dial.
- A chain which is too loose can jump off the bar, and therefore presents an accident risk.
- Carry out the procedure of installing or removing saw chain in a clean place free from sawdust and the like.

Engaging extension cord

⚠ CAUTION:

- Make sure that the extension cord is unplugged to the mains outlet.

- **Fig.12:** 1. Cord hook 2. Tool's cord 3. Extension cord 4. Plug and socket (the shape may differ from country to country)

When engaging the extension cord, secure it to the chain saw's cord with the cord hook.

Attach the cord hook about 100 - 200 mm from the extension cord connector. This helps prevent unintentional disconnection.

OPERATION

⚠ CAUTION:

- Hold the tool firmly with right hand on the rear handle and left hand on the front handle when performing the tool.

Switch action

- **Fig.13:** 1. Lock-off button 2. Switch trigger

⚠ CAUTION:

- Always be sure that the tool is switched off and unplugged before checking function on the switch trigger.
- Before plugging in the tool, always check to see that the switch trigger actuates properly and returns to the "OFF" position when released.

To prevent the switch trigger from being accidentally pulled, a lock-off button is provided.

To start the tool, depress the lock-off button and pull the switch trigger. Release the switch trigger to stop.

Lubrication

⚠ CAUTION:

- Always be sure that the tool is switched off and unplugged before lubricating the saw chain.

- **Fig.14**

Lubricate the saw chain and bar using biologically degradable saw chain oil with an adhesion agent.

The adhesion agent in the saw chain oil prevents the oil from being thrown off the saw excessively quickly. Mineral oils must not be used, as they are harmful to the environment.

⚠ CAUTION:

- Prevent the oil from coming into contact with the skin and eyes. Contact with the eyes causes irritation. In the event of eye contact, flush the affected eye immediately with clear water, then consult a doctor at once.
- Never use waste oil. Waste oil contains carcinogenic substances. The contaminants in waste oil cause accelerated wear of the oil pump, the bar and the chain. Waste oil is harmful to the environment.
- When filling the chain saw with chain oil for the first time, or refilling the tank after it has been completely emptied, add oil up to the bottom edge of the filler neck. The oil delivery may otherwise be impaired.

- **Fig.15:** 1. Oil filler cap 2. Strap

To fill the oil, perform the following steps:

1. Clean the area around the oil filler cap thoroughly to prevent any dirt from entering the oil tank.
2. Unscrew the oil filler cap and add oil up to the lower edge of the filler neck.
3. Screw the oil filler cap firmly back in place.
4. Wipe away any spilt chain oil carefully.

NOTE:

- When the chain saw is used for the first time, it may take up to two minutes for the saw chain oil to begin its lubricating effect upon the saw mechanism. Run the saw without load until it does so (see "CHECKS").

CHECKS

Before starting work, carry out the following checks:

Checking the chain tension

⚠ WARNING:

- Always withdraw the mains plug before checking the chain tension, and wear safety gloves.

(For nut models)

- **Fig.16:** 1. Loosen 2. Tighten 3. Chain adjusting screw 4. Guide bar 5. Saw chain

(For lever models)

- **Fig.17:** 1. Loosen 2. Tighten 3. Adjusting dial 4. Guide bar 5. Saw chain

Make sure the saw chain fits snugly against the lower side of the bar (see circle).

Check the chain tension frequently, as new chains are subject to elongation.

Excessively high tension of saw chain may cause breakage of saw chain, wear of the guide bar and breakage of the adjusting dial.

A chain which is too loose can jump off the bar, and therefore presents an accident risk.

If the chain is too loose: Refer to the section titled "Adjusting saw chain tension" and adjust the saw chain tension again.

Checking the switch action

CAUTION: Before plugging in the tool, always check to see that the switch trigger actuates properly and returns to the "OFF" position when released.

To prevent the switch trigger from being accidentally pulled, a lock-off button is provided. To start the tool, depress the lock-off button and pull the switch trigger. Release the switch trigger to stop. Do not pull the switch trigger hard without depressing the lock-off button. This may cause switch breakage.

Checking the chain brake

NOTE:

- If the chain saw fails to start, check whether the chain brake is released. To release the chain brake, pull the hand guard backwards firmly until you feel it engage.

► **Fig.18:** 1. Front hand guard 2. Lock 3. Unlock

► **Fig.19:** 1. Front hand guard 2. Unlock 3. Lock

Check the chain brake as follows:

1. Hold the chain saw with both hands when switching it on. Hold the rear handle with your right hand, the front handle with your left. Make sure that the bar and the chain do not contact with any object.
2. First press the lock-off button, then the switch trigger. The saw chain starts immediately.
3. Press the front hand guard forwards using the back of your hand. Make sure that the saw chain comes to an immediate standstill.

CAUTION:

- If the saw chain does not stop immediately, do not use the saw under any circumstances. Consult DOLMAR authorized service centers.

Checking the run-down brake

Switch on the chain saw. Release the switch trigger completely. Make sure the saw chain comes to a standstill within a second.

CAUTION:

- If the saw chain does not stop immediately, do not use the saw under any circumstances. Consult DOLMAR authorized service centers.

Checking the chain oiler

Before starting work, check the oil level in the tank, and the oil delivery.

The oil level can be seen in the oil level sight shown in the figure.

► **Fig.20:** 1. Oil level sight

Check the oil delivery as follows:
Start the chain saw.

With the saw running, hold the saw chain approximately 15 cm above a tree trunk or the ground. If lubrication is adequate, the oil spray will produce a light oil trace. Observe the wind direction, and do not expose yourself to the oil spray unnecessarily.

CAUTION:

- If an oil trace is not formed, do not use the saw. The lifespan of the chain will otherwise be reduced. Check the oil level. Clean the oil feed groove and the oil feed hole in the bar (refer to "MAINTENANCE").

Adjusting the chain lubrication

► **Fig.21**

You can adjust the oil pump feed rate with the adjusting screw.

WORKING WITH THE CHAIN SAW

CAUTION:

- Always use a front handle and rear handle and firmly hold the tool by both front handle and rear handle during operations.
- Always secure the timber to be cut, otherwise the cut fragments may cause personal injury.

Bucking

► **Fig.22:** 1. Spike bumper

For bucking cuts, rest the spike bumper shown in the figure on the wood to be cut.

With the saw chain running, saw into the wood, using the rear handle to raise the saw and the front one to guide it. Use the spike bumper as a pivot.

Continue the cut by applying slight pressure to the front handle, easing the saw back slightly. Move the spike bumper further down the timber and raise the front handle again.

When making several cuts, switch the chain saw off between cuts.

CAUTION:

- If the upper edge of the bar is used for cutting, the chain saw may be deflected in your direction if the chain becomes trapped. For this reason, cut with the lower edge, so that the saw will be deflected away from your body.

► **Fig.23**

Cut wood under tension on the pressure side (A) first. Then make the final cut on the tension side (B). This prevents the bar from becoming trapped.

► **Fig.24**

Limbing

CAUTION:

- Limbing may only be performed by trained persons. A hazard is presented by the risk of kick-back.

When limbing, support the chain saw on the trunk if possible. Do not cut with the tip of the bar, as this presents a risk of kickback.

Pay particular attention to branches under tension. Do not cut unsupported branches from below. Do not stand on the felled trunk when limbing.

Burrowing and parallel-to-grain cuts

CAUTION:

- Burrowing and parallel-to-grain cuts may only be carried out by persons with special training. The possibility of kickback presents a risk of injury.

► Fig.25

Perform parallel-to-grain cuts at as shallow an angle as possible. Carry out the cut as carefully as possible, as the spike bumper cannot be used.

Felling

CAUTION:

- Felling work may only be performed by trained persons. The work is hazardous.

Observe local regulations if you wish to fell a tree.

► Fig.26: 1. Felling area

- Before starting felling work, ensure that:
 - (1) Only persons involved in the felling operation are in the vicinity;
 - (2) Any person involved has an unobstructed path of retreat through a range of approximately 45 ° either side of the felling axis. Consider the additional risk of tripping over electrical cables;
 - (3) The base of the trunk is free of foreign objects, roots and stumps;
 - (4) No persons or objects are present over a distance of 2 1/2 tree lengths in the direction in which the tree will fall.
- Consider the following with respect to each tree:
 - Direction of lean;
 - Loose or dry branches;
 - Height of the tree;
 - Natural overhang;
 - Whether or not the tree is rotten.
- Consider the wind speed and direction. Do not carry out felling work if the wind is gusting strongly.
- Trimming of root swellings: Begin with the largest swellings. Make the vertical cut first, then the horizontal cut.

► Fig.27

- Cut a scarf: The scarf determines the direction in which the tree will fall, and guides it. It is made on the side towards which the tree is to fall. Cut the scarf as close to the ground as possible. First make the horizontal cut to a depth of 1/5 - 1/3 of the trunk diameter. Do not make the scarf too large. Then make the diagonal cut.
- Cut any corrections to the scarf across its entire width.

► Fig.28

- Make the back cut a little higher than the base cut of the scarf. The back cut must be exactly horizontal. Leave approximately 1/10 of the trunk diameter between the back cut and the scarf. The wood fibers in the uncut trunk portion act as a hinge. Do not cut right through the fibers under any circumstances, as the tree will otherwise fall unchecked. Insert wedges into the back cut in time.

- Only plastic or aluminum wedges may be used to keep the back cut open. The use of iron wedges is prohibited.
- Stand to the side of the falling tree. Keep an area clear to the rear of the falling tree up to an angle of 45 ° either side of the tree axis (refer to the "felling area" figure). Pay attention to falling branches.
- An escape path should be planned and cleared as necessary before cuts are started. The escape path should extend back and diagonally to the rear of the expected line of fall as illustrated in figure.

► Fig.29: 1. Felling direction 2. Danger zone 3. Escape route

MAINTENANCE

CAUTION:

- Always be sure that the tool is switched off and unplugged before attempting to perform inspection or maintenance.
- Always wear gloves when performing any inspection or maintenance.
- Never use gasoline, benzene, thinner, alcohol or the like. Discoloration, deformation or cracks may result.

Carry out the maintenance work described below at regular intervals. Warranty claims will be accepted only if these operations have been performed regularly and properly.

Only maintenance work described in this instruction manual may be performed by the user. Any other work must be carried out by DOLMAR authorized service centers.

Cleaning the chain saw

Clean the saw regularly with a clean rag. The handles, in particular, must be kept free of oil.

Checking the plastic housing

Carry out regular visual inspections of all parts of the housing. If any parts are damaged, have them repaired immediately and properly in DOLMAR authorized service centers.

Sharpening the saw chain

CAUTION:

- Always withdraw the mains plug and wear safety gloves when performing work on the saw chain.

► Fig.30

Sharpen the saw chain when:

- Mealy sawdust is produced when damp wood is cut;
- The chain penetrates the wood with difficulty, even when heavy pressure is applied;
- The cutting edge is obviously damaged;

- The saw pulls to the left or right in the wood. The reason for this behavior is uneven sharpening of the saw chain, or damage to one side only.

Sharpen the saw chain frequently, but remove only a little material each time.

Two or three strokes with a file are usually sufficient for routine reshaping. When the saw chain has been reshaped several times, have it sharpened in DOLMAR authorized service center.

Sharpening criteria:

- All cutter length must be equal. Cutters of differing length prevent the chain from running smoothly, and may cause the chain to break.
- Do not sharpen the chain once a minimum cutter length of 3 mm has been reached. A new chain must then be fitted.
- The chip thickness is determined by the distance between the depth gauge (round nose) and the cutting edge.
- The best cutting results are obtained with following distance between cutting edge and depth gauge.

Chain blade 492 (91PX): 0.65 mm

- **Fig.31:** 1. Cutting length 2. Distance between cutting edge and depth gauge 3. Minimum 3 mm

⚠WARNING:

- An excessive distance increases the risk of kick-back.

- The sharpening angle of 30 ° must be the same on all cutters. Differences in angle cause the chain to run roughly and unevenly, accelerate wear, and lead to chain breaks.
- The side plate angle of the cutter is determined by the depth of penetration of the round file. If the specified file is used properly, the correct side plate angle is produced automatically.
- Side plate angle for each saw chain are as follows:

Chain blade 492 (91PX): 80 °

- **Fig.32:** 1. Side plate angle

File and file guiding

- Use a special round file (optional accessory) for saw chains to sharpen the chain. Normal round files are not suitable.
- Diameter of the round file for each saw chain is as follows:

Chain blade 492 (91PX): 4.0 mm

- The file should only engage the cutter on the forward stroke. Lift the file off the cutter on the return stroke.
- Sharpen the shortest cutter first. Then the length of this shortest cutter becomes the standard for all other cutters on the saw chain.

► Fig.33

- Guide the file as shown in the figure.
- The file can be guided more easily if a file holder (optional accessory) is employed. The file holder has markings for the correct sharpening angle of 30 ° (align the markings parallel to the saw chain) and limits the depth of penetration (to 4/5 of the file diameter).

► Fig.34

- After sharpening the chain, check the height of the depth gauge using the chain gauge tool (optional accessory).

► Fig.35

- Remove any projecting material, however small, with a special flat file (optional accessory).
- Round off the front of the depth gauge again.

Cleaning the guide bar and lubricating the return sprocket

⚠CAUTION:

- Always wear safety gloves for this task. Burrs present a risk of injury.

► Fig.36

Check the running surfaces of the bar regularly for damage. Clean using a suitable tool, and remove burrs if necessary.

If the chain saw receives frequent use, lubricate the return sprocket bearing at least once a week. Before adding new fresh grease, carefully clean the 2 mm hole on the tip of the guide bar, then force a small quantity of multi-purpose grease (optional accessory) into the hole.

Cleaning the oil guide

► Fig.37: 1. Oil guide groove 2. Oil feed hole

- Clean the oil guide groove and the oil feed hole in the bar at regular intervals.

New saw chains

Use two or three saw chains alternately, so that the saw chain, sprocket and running surfaces of the bar wear evenly.

Turn the bar over when changing the chain so that the bar groove wears evenly.

⚠CAUTION:

- Only use chains and bars which are approved for this model of saw (refer to "SPECIFICATIONS").

► Fig.38: 1. Sprocket

Before fitting a new saw chain, check the condition of the sprocket.

⚠CAUTION:

- A worn sprocket damages a new saw chain. Have the sprocket replaced in this case.

Always fit a new locking ring when replacing the sprocket.

Maintaining the chain and run-down brakes

The braking systems are very important safety features. Like any other component of the chain saw, they are subject to a certain degree of wear. They must be inspected regularly by DOLMAR authorized service centers. This measure is for your own safety.

Replacing carbon brushes

► Fig.39: 1. Limit mark

Remove and check the carbon brushes regularly. Replace when they wear down to the limit mark. Keep the carbon brushes clean and free to slip in the holders. Both carbon brushes should be replaced at the same time. Use only identical carbon brushes.

► Fig.40: 1. Brush holder cap 2. Screwdriver

Use a screwdriver to remove the brush holder caps. Take out the worn carbon brushes, insert the new ones and secure the brush holder caps. After replacing brushes, plug in the tool and break in brushes by running tool with no load for about 10 minutes.

Storing tool

Biologically degradable saw chain oil can only be kept for a limited period. Beyond two years after manufacture, biological oils begin to acquire an adhesive quality, and cause damage to the oil pump and components in the lubricating system.

- Before taking the chain saw out of service for a longer period, empty the oil tank and fill it with a small quantity of engine oil (SAE 30).
- Run the chain saw briefly to flush all residue of the biological oil out of the tank, lubricating system and saw mechanism.

NOTE:

- When the chain saw is taken out of service, small quantities of chain oil leaks from it for some time afterwards. This is normal, and is not a sign of a fault.

Store the chain saw on a suitable surface. Before returning the chain saw to service, fill up with fresh BIOTOP saw chain oil.

To maintain product SAFETY and RELIABILITY, repairs, any other maintenance or adjustment should be performed by DOLMAR Authorized Service Centers, always using DOLMAR replacement parts.

TROUBLE SHOOTING

Before asking for repairs, conduct your own inspection first. If you find a problem that is not explained in the manual, do not attempt to dismantle the tool. Instead, ask Dolmar Authorized Service Centers.

Malfunction status	Possible cause	Remedy
The chain saw does not start.	No power supply.	Connect to the power supply. Check the power supply.
	Cable defective.	Stop using the tool immediately, and ask your local authorized service center.
	Tool malfunction.	Stop using the tool immediately, and ask your local authorized service center.
Chain does not run.	Chain brake is engaged.	Release chain brake.
Insufficient performance.	Carbon brush worn down.	Ask your local authorized service center for repair.
No oil on the chain.	Oil tank is empty.	Fill the oil tank.
	Oil guide groove is dirty.	Clean the groove.
	Oil pump adjusting screw incorrectly adjusted.	Adjust the oil pump feed rate.
Chain does not stop even the chain brake is engaged.	Brake band worn down.	Stop using the tool immediately, and ask your local authorized service center.
The tool vibrates abnormally.	Loose guide bar or saw chain.	Adjust the guide bar and saw chain tension.
	Tool malfunction.	Stop using the tool immediately, and ask your local authorized service center.

OPTIONAL ACCESSORIES

⚠ CAUTION:

- These accessories or attachments are recommended for use with your Dolmar tool specified in this manual. The use of any other accessories or attachments might present a risk of injury to persons. Only use accessory or attachment for its stated purpose.

If you need any assistance for more details regarding these accessories, ask your local Dolmar service center.

- Saw chain
- Guide bar cover
- Guide bar
- Saw chain oil

NOTE:

- Some items in the list may be included in the tool package as standard accessories. They may differ from country to country.


ТЕХНІЧНІ ХАРАКТЕРИСТИКИ









Модель		ES-154	ES-154 TLC	ES-164	ES-164 TLC	ES-174	ES-174 TLC	ES-184	ES-184 TLC
		ES-2131	ES-2131 TLC	ES-2136	ES-2136 TLC	ES-2141	ES-2141 TLC	ES-2146	ES-2146 TLC
Макс. швидкість ланцюга		14,5 м/с (870 м/хв)							
Стандартна шина	Довжина шини	300 мм		350 мм		400 мм		450 мм	
	Довжина різання	260 мм		320 мм		355 мм		415 мм	
	Тип шини	Шина з кінцевою зірочкою							
Стандартний пилляльний ланцюг	Тип	492 (91PX)							
	Крок	3/8"							
	Кількість приводних ланок	46		52		56		62	
Рекомендована довжина шини		300 - 450 мм							
Загальна довжина (без шини)		505 мм							
Чиста вага		5,4 кг	5,5 кг	5,5 кг		5,6 кг		5,7 кг	
Подовжувач (додатково)		DIN 57282/HO 7RN -F L=30 м макс., 3x1,5 мм ²							

- Через те, що ми не припиняємо програми досліджень і розвитку, наведені тут технічні характеристики можуть бути змінені без попередження.
- У різних країнах технічні характеристики можуть бути різними.
- Вага відповідно до EPTA-Procedure 01/2003

Умове позначення

Далі наведені символи, які застосовуються для позначення обладнання. Перед користуванням переконайтеся, що Ви розумієте їхнє значення.

	Уважно прочитайте посібник та завжди дотримуйтесь попереджень та інструкцій з техніки безпеки...
	Вдягайте засоби захисту очей.
	Вдягайте засоби захисту слуху.
	ПОДВІЙНА ІЗОЛЯЦІЯ
	Обережно: потребує особливої уваги та обережності!
	обережно: негайно витягніть штепсель із сіті у разі пошкодження кабелю.
	Обережно: можлива віддача!
	Обов'язково захищайте від дощу та вологі!
	Обов'язково вдягай шолом, окуляри та засоби захисту органів слуху!
	Одягни захисні рукавиці!
	Вимкніть штепсель із сіті!

	Перша допомога
	Максимальна допустима довжина прорізу
	Напрямок пересування ланцюга
	Масло для ланцюга
	Гальмо ланцюга відпущено
	Гальмо ланцюга натиснуто
	Заборонено!
	Тільки для країн ЄС Не викидайте електроприлади разом із побутовим сміттям! Згідно з Європейською директивою про утилізацію електричного та електронного обладнання і з її використанням із дотриманням національних законів, електричне обладнання, термін служби якого закінчився, слід збирати в окремі відведених місцях і повертати на відповідні підприємства з його переробки.

Призначення

Інструмент призначено для різання пиломатеріалу та колод.

Джерело живлення

Інструмент можна підключати лише до джерела живлення, що має напругу, зазначену в таблиці із заводськими характеристиками, і він може працювати лише від однофазного джерела змінного струму. Він має подвійну ізоляцію, а отже може також підключатися до розеток без лінії заземлення.

Шум

Рівень шуму за шкалою А у типовому виконанні, визначений відповідно до EN60745:

Рівень звукового тиску (L_{pA}): 90,8 дБ (А)

Рівень звукової потужності (L_{WA}): 101,8 дБ (А)

Похибка (К): 2,5 дБ (А)

Користуйтеся засобами захисту слуху

Вібрація

Загальна величина вібрації (сума трьох векторів) визначена згідно з EN60745:

Режим роботи: пиляння деревини

Вібрація (a_h): 5,2 м/с²

Похибка (К): 1,5 м/с²

ПРИМІТКА: Заявлене значення вібрації було виміряно у відповідності до стандартних методів тестування та може використовуватися для порівняння одного інструмента з іншим.

ПРИМІТКА: Заявлене значення вібрації може також використовуватися для попередньої оцінки впливу.

⚠ ПОПЕРЕДЖЕННЯ: Залежно від умов використання вібрація під час фактичної роботи інструмента може відрізнятися від заявленого значення вібрації.

⚠ ПОПЕРЕДЖЕННЯ: Забезпечте належні запобіжні заходи для захисту оператора, що відповідатимуть умовам використання інструмента (слід брати до уваги всі складові робочого циклу, такі як час, коли інструмент вимкнено та коли він починає працювати на холостому ході під час запуску).

Декларація про відповідність стандартам ЄС

Тільки для країн Європи

Декларацію про відповідність стандартам ЄС наведено в Додатку А до цієї інструкції з експлуатації.

Застереження стосовно техніки безпеки при роботі з електроприладами

⚠ УВАГА! Прочитайте усі застереження стосовно техніки безпеки та всі інструкції. Недотримання даних застережень та інструкцій може призвести до ураження струмом та виникнення пожежі та/або серйозних травм.

Збережіть усі інструкції з техніки безпеки та експлуатації на майбутнє.

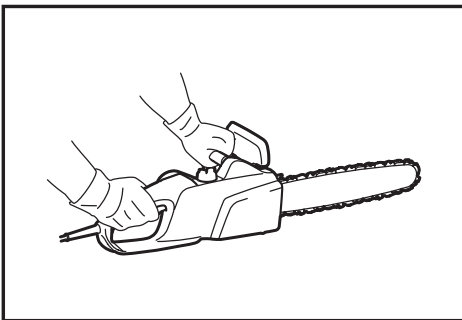
Попередження про необхідну обережність під час роботи з ланцюговою пилою

1. Коли ланцюгова пила працює, слід забрати усі частини тіла від пильного ланцюга. Перед тим, як запускати ланцюгову пилу слід перевірити, щоб пильний ланцюг нічого не торкався. Відволікання на короткий час під час роботи пили може призвести до того, що одяг буде затягнуто пильним ланцюгом.
2. Слід завжди тримати ланцюгову пилу правою рукою за задню ручку, а лівою – за передню. Якщо пилу тримати по-іншому, то це підвищує ризик травм, тому цього ніколи неможливо робити.
3. Електроінструмент слід тримати тільки за ізольовані поверхні держака, оскільки ланцюг пили може зачепити сховану електропроводку або шнур пили. Торкання ланцюгом пили струмоведучої проводки може призвести до передавання напруги до оголених металевих частин електроінструмента та до ураження оператора електричним струмом.
4. Слід одягати засоби захисту органів зору та слуху. Також рекомендується використовувати засоби захисту голови, рук, ніг та ступнів. Належний захисний одяг знижує кількість травм від сміття. Що розлітається, або від випадкового контакту з пильним ланцюгом.
5. Заборонено користуватись пилою, знаходячись на дереві. Робота із пилою на дереві може призвести до травм.
6. Слід завжди твердо стояти на ногах, та працювати пилою стоячи на стійкій, надійній та рівній поверхні. Робота на слизьких або нестійких поверхнях, таких як драбини, може призвести до втрати рівноваги та контролю над пилою.
7. Під час різання гілки, що знаходиться під на тяжинням, слід остерігатись відскоку. Коли натяг волокон деревини знімається, то натягнута гілка може вдарити оператора та/або відкинути пилу із втратою контролю над нею.
8. Слід бути дуже обережним під час обрізання кущів та порості. Гнучкі гілки можуть бути затягнені в пильний ланцюг та їх може потягнути у напрямку до оператора, або оператора може потягнути, і він втратить рівновагу.
9. Ланцюгову пилу слід переносити за передню ручку у вимкненому стані, відвернувши її від тіла. Під час перевезення або зберігання пили на ній слід завжди встановлювати кожух для шни. Вірне поводження із ланцюговою пилою знизить вірогідність випадкового контакту із пильним ланцюгом, що рухається.
10. Виконуйте вимоги інструкцій щодо змащування, натягу ланцюга та заміни принадлежностей. Невірно натягнута або змащена пила може або зламатись, або буде підвищено ризик віддачі.
11. Ручки повинні бути сухими, чистими та не бути забрудненими мастилом або жиром. Жирні або забруднені мастилом ручки є слизькими, що призводить до втрати контролю над інструментом.

12. **Можна різати тільки деревину. Пильний ланцюг слід застосовувати тільки за їх призначенням. Наприклад: Заборонено використовувати ланцюгову пилу для різання пластика або не дерев'яні будівельні матеріали.** Використання ланцюгової пили не за призначенням може призвести до створення небезпечної ситуації.

13. **Причини та заходи запобігання віддачі:** Якщо кінець шини торкається якогось предмету, або коли дерев'яна деталь закривається та захищає ланцюг в пропилі, може трапитися віддача. Торкання кінцем в деяких випадках може призвести до раптової зворотної реакції, коли шину буде підкинуто догори та назад в напрямку оператора. Затискання пильного ланцюга у верхній частині шини може призвести до різкого штовхання в напрямку оператора. Будь-яка з цих реакцій може призвести до втрати контролю над пилою, що в свою чергу може призвести до серйозних травм. Не слід суцільно покладатись на засоби безпеки, встановлені на пилі. Як користувач ланцюгової пили, ви повинні вжити декілька заходів, щоб захиститись від нещасних випадків або поранень під час пиляння. Причинами віддачі є неправильне користування інструментом та/або неправильний порядок експлуатації або умови експлуатації, але їх можна уникнути дотримуючись запобіжних заходів, що наведені нижче:

- **Слід міцно тримати інструмент обома руками таким чином, щоб великий палець та інші пальці руки обгортати ручки ланцюгової пили, та розташувати своє тіло та руки так, щоб була можливість утриматись у разі віддачі.** Силу віддачі може контролювати користувач, за умови, що було вжито належних запобіжних заходів. Заборонено відпускати ланцюгову пилу.



- **Ніколи не слід тягнути інструментом до робочої деталі та різати вище рівня плеча.** Дотримання цих правил допоможе уникнути непередбачуваного контакту з ріжучою частиною пили та дозволить краще контролювати ланцюгову пилу у непередбачуваних ситуаціях.

- **Використовувати слід тільки запасні шини та ланцюги, вказані виробником.** Використання невідповідних запасних шин та ланцюгів може призвести до поломки ланцюга та/або віддачі.
- **Слід дотримуватись інструкцій виробника щодо заточування та обслуговування пили.** Зменшення висоти калібру глибини може призвести до посилення віддачі.

ДОДАТКОВІ ПРАВИЛА БЕЗПЕКИ

1. Слід уважно прочитати ці інструкції для того, щоб ознайомитись з принципом роботи ланцюгової пили.
2. Перед користуванням ланцюгової пили у перший раз, здобудьте інструкції з її експлуатації. Якщо це неможливо, слід хоча б потренуватися різати колоди на козлах перед початком роботи.
3. Забороняється дітям та підліткам молодше 18 років користуватися ланцюговою пилою. Цю заборону може бути знято з юнаків старше 16 років під час проходження практики під наглядом майстра.
4. Користування ланцюговою пилою потребує високого рівня зосередженості. Не слід користуватися пилою, якщо ви почуваете себе не готовими до роботи. Всю роботу слід виконувати спокійно та обережно.
5. Забороняється працювати після прийняття алкоголю або ліків.

Правильне використання

1. Ланцюгова пилу призначена виключно для різання деревини. Забороняється застосовувати її наприклад для різання пластмаси або пористого бетону.
2. Використовуйте ланцюгову пилу тільки для виконання операцій, зазначених у цих інструкціях. Слід здійснювати , а не , наприклад, користайся нею для підрізання огорожі або для подібної мети.
3. Ланцюгову пилу не слід використовувати у лісництві, а саме для звалювання та розрізування стоячого лісу. Кабель ланцюгової пили не забезпечує оператора рухливістю та безпекою, які необхідні для такої роботи.
4. Ланцюгова пилу не призначена для промислового застосування.
5. Не слід перенавантажувати ланцюгову пилу.

Засоби індивідуального захисту

1. Одяг повинен щільно прилягати до тіла, але не повинен заважати руху.
2. Нижче наведено захисний одяг, який слід одягати під час роботи:
 - Випробуваний захисний шолом, якщо існує загроза падіння гілок або т.і.;
 - Маску або окуляри;

- Відповідні засоби захисту органів слуху (захисні навушники, звичайні або формувальні навушники). Октавний аналізатор звуку за проходанням.
- Щільні шкіряні захисні рукавиці;
- Довгі штани виготовлені із міцної тканини;
- Захисний робочий одяг із стійкої к прорізам тканини;
- Захисні черевики або взуття з неслизькою підшвою, черевики з металевим носком та одяг із стійкої к прорізам тканини;
- Дихальна маска під час виконання робіт, що супроводжуються утворенням пилу (наприклад пиляння сухої деревини).

Захист від ураження електричним током



Не слід користатися ланцюговою пилою у сиру погоду або у вологому середовищі, тому що електродвигун не має гідроізоляції.

1. Пилу слід вимкати тільки до розеток випробуваних електричних ланцюгів. Перевіряйте, щоб напруга в системі співпадала із напругою на табличці номінальних показників. Перевіряйте, чи встановлено лінійний запобіжник на 16А. Якщо пила використовується на вулиці, її слід підключати до автоматичного вимикача початкового струму з робочим струмом не вище 30мА.

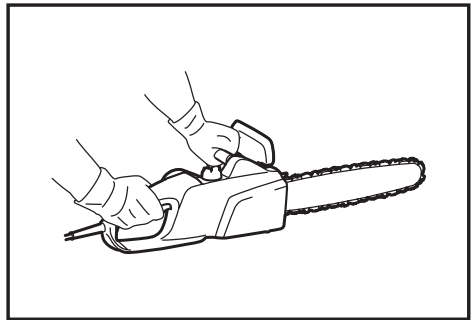


У разі пошкодження сполучного кабелю, негайно відключити від мережі.

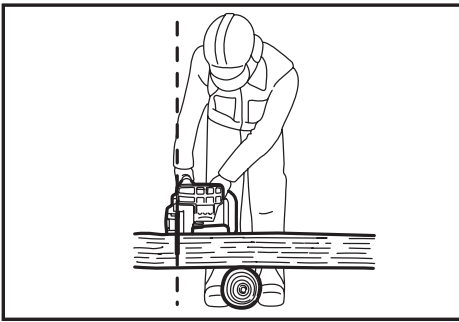
Заходи безпечної роботи

1. Перед початком роботи, перевірте належну працездатність ланцюгової пили та, чи відповідає її стан правилам техніки безпеки. А саме слід перевірити чи:
 - Належним чином працює ланцюгове гальмо;
 - Належним чином працює інерційне гальмо;
 - Правильно встановлені шина та кришка зірочки;
 - Ланцюг загострена та затянута згідно з правилами;
 - Сітьовий кабель та сітьовий штепсель не пошкоджено;
2. Особливо слід завжди перевіряти, чи відповідного перетину застосовується подовжувальний кабель (дивись "ТЕХНІЧНІ ХАРАКТЕРИСТИКИ"). Коли використовується кабельний барабан, слід розмотувати увесь кабель із барабану. Коли пила застосовується просто неба, слід перевірити, чи призначений кабель, що застосовується, до використання поза приміщенням та чи має він відповідні номінальні показники.
3. Шнур не повинен знаходитись в зоні різання, та його слід розташовувати таким чином, щоб він не заплутався у гілках та ін. під час різання.

4. Не слід користатися ланцюговою пилою поблизу приміщень де знаходяться займисті пил або газу, тому що під час роботи двигуна утворюється іскра, що становить **ризик вибуху**.
5. Працювати слід на твердому ґрунті та з надійною опорою. Звертай особливу увагу на перешкоди (наприклад кабель), що знаходяться в робочій зоні. Приділяй особливу увагу, якщо через вологу, лід, сніг, свіжо відрізану деревину або кору, поверхні стануть слизькими. Не слід користуватися пилою на сходах або на дереві.
6. Приділяй особливу увагу під час роботи на похилому ґрунті; стовбури та гілки, що катаються, можуть становити небезпеку.
7. Ніколи не слід різати вище рівня плеча.
8. **Під час увімкнення та користування ланцюговою пилою тримай її обома руками.** Слід триматись правою рукою за задню ручку, а лівою - за передню. Міцно тримай ручки великими пальцями. Під час увімкнення пили ані шина, ані ланцюг не повинні торкатись будь-яких предметів.



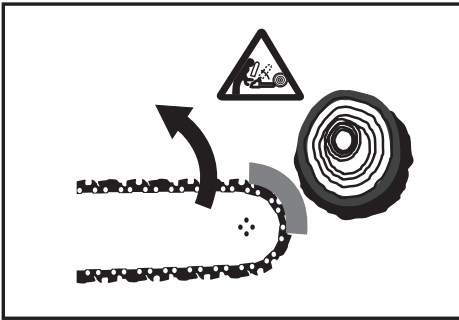
9. Зону, що буде різатися слід почистити від сторонніх предметів, таких як пісок, каміння, дроти, цвяхи і т.д. Сторонні предмети можуть ушкодити шину або ланцюг та призвести до небезпечної віддачі.
10. Слід бути дуже уважними під час різання біля дротових парканів. Слід уникати врізання у паркан, це може призвести до віддачі пили.
11. Не слід врізатися у землю.
12. Слід різати частини деревини по одинці, а не зв'язках або штабелях.
13. Не слід різати пилою тонкі гілки та коріння, вони можуть застрягти в ланцюговій пилі. Не слід втрачати рівновагу, це дуже небезпечно.
14. Під час різання пиломатеріалу слід користатися надійною опорою (козла).
15. Не слід використовувати пилу для зняття або змітання часток деревини або інших предметів.
16. Спрямуйте ланцюгову пилу таким чином, щоб жодна з частин вашого тіла не знаходилась на широкому шляху ланцюга пили (дивись малюнок).



17. У проміжках між операціями різання слід натиснути на гальмо ланцюга, щоб уникнути мимовільної роботи ланцюга. Під час перенесення ланцюгової пили її необхідно тримати за передню ручку та прибирати палець з вмикача.
18. Під час перерви або залишення ланцюгової пили без догляду слід витягти сівовий штепсель. Ланцюгову пилу можна залишати лише в тому стані, коли вона не становить небезпеки.

Віддача

1. Під час роботи з ланцюговою пилою може статися небезпечна віддача. Віддача виникає, коли кінець шини (особливо верхня чверть) торкається деревини або іншого твердого предмету. Це призводить до того, що ланцюгова пила прогинається у бік оператора.



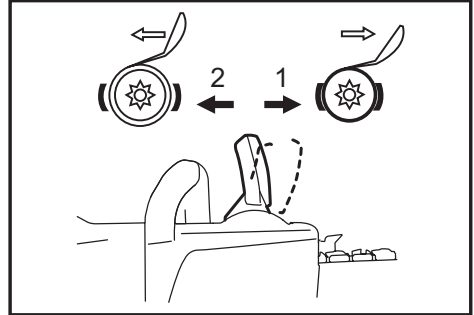
2. Для того, щоб запобігти виникненню віддачі, слід дотримуватись зазначених нижче правил:
 - Ніколи не слід починати різання кінцем шини.
 - Ніколи не слід різати кінцем шини. Особливу увагу слід приділяти поновленню вже початих прорізів.
 - Починай різати при працюючому ланцюгу.
 - Слід завжди правильно загострювати ланцюг. Зокрема, слід установити правильну висоту обмежувача глибини.
 - Ніколи не слід прорізати одночасно декілька гілок.
 - Під час обрізки суків, слід стежити, щоб шина не торкалась інших гілок.
 - Під час розпилювання на колоди слід бути обережними зі стовбурами, що знаходяться поруч. Слід завжди слідкувати за наконечником шини.
 - Користуйся козлами.

Засоби забезпечення безпеки

1. Перед початком роботи завжди слід перевіряти, чи захисні пристрої перебувають в належному стані. Не слід користуватися ланцюговою пилою, якщо захисні пристрої працюють неправильно.

— Гальмо ланцюга:

Ланцюгова пила оснащена гальмом ланцюга, який зупиняє пильний ланцюг на частку секунди. Він запускається знову при штовханні захисної огорожі для рук уперед. Потім пильний ланцюг зупиняється на 0,15сек, та подача енергії до двигуна припиняється.



1. Натиснуто гальмо ланцюга 2. Відпущено гальмо ланцюга

— Інерційний гальмо

Ланцюгова пила оснащена інерційним гальмом, який зупиняє пильний ланцюг одразу після відпускання перемикача ВМК/ВИМК. Він запобігає роботі пильного ланцюга у вимкненому положенні, яка створює таким чином небезпеку.

- **Передня та задня огорожа для рук** захищає користувача від поранення частками деревини, які можуть відскочити назад, або поламаним ланцюгом пили.
- **Блокування вмикача** запобігає випадковому увімкненню ланцюгової пили.
- **Обмежувач ланцюга** захищає користувача від поранення у разі зіскакування або розриву ланцюга.

Транспортування та зберігання



Коли ланцюгова пила не використовується або під час її перенесення, слід від'єднувати штепсельну вилку від мережевої розетки та прикріпляти кожух шини, що входить до комплекту пили. Забороняється переносити або перевозити ланцюгову пилу з працюючим пильним ланцюгом.

1. Ланцюгову пилу слід тримати тільки за передню ручку таким чином, щоб шина була спрямована назад.
2. Ланцюгову пилу слід зберігати у надійному, сухому та замкнутому приміщенні, щоб діти не змогли її дістати. Не слід зберігати ланцюгову пилу зовні.

ТЕХНІЧНЕ ОБСЛУГОВУВАННЯ

1. Перед проведенням регулювання або технічного обслуговування слід витягти штепсель із розетки.
2. Регулярно слід перевіряти силовий кабель на наявність пошкодження.
3. Слід регулярно здійснювати чистення ланцюгової пили.
4. Пошкодження пластмасового кожуху слід ремонтувати негайно та належним чином.
5. Не слід використовувати пилу у разі неналежної роботи вмикача. Його слід належним чином відремонтувати.
6. Ні при яких обставинах не слід запроваджувати зміни до ланцюгової пили. Це дуже небезпечно.
7. Технічне обслуговування або ремонт слід проводити тільки згідно з інструкціями, наведеними в цих інструкціях з експлуатації. Усі інші роботи повинні здійснюватися в авторизованих сервісних центрах.
8. Слід використовувати тільки оригінальні змінні деталі та приладдя відповідно до моделі пили. Використання інших деталей підвищує ризик виникнення нещасного випадку.
9. Ми не несемо жодної відповідальності за нещасні випадки або збитки, спричинені використанням nereкомендованих шин, пиляльних ланцюгів або інших змінних деталей та додаткового приладдя.

Перша допомога



Не працюйте на самоті. Завжди слід працювати на відстані оклику від другої людини.

1. Слід завжди тримати аптечку під рукою. Слід негайно замінювати використані ліки.
2. Якщо ви потребуєте допомоги у разі поранення, слід встановити:
 - Де відбувся нещасний випадок?
 - Що сталося?
 - Скільки людей поранено?
 - Які поранення вони мають?
 - Хто повідомив про нещасний випадок?

ПРИМІТКА: Людина, яка має поганий кровообіг, та постійно стикається з сильною вібрацією може здобути порушення з боку кровоносних судин або нервової системи.

Коливання можуть спричинити наведені нижче симптоми з боку пальців, рук або зап'ястя: "Засипання" (оніміння), дзенькіт у вухах, біль, гострий біль, зміна кольору шкіри або шкіри.

При наявності хоча б одного з цих симптомів, обов'язково порадьтеся з лікарем!

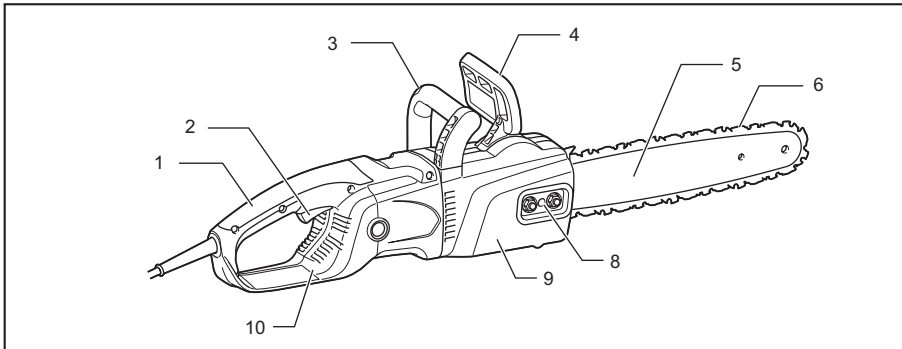
ЗБЕРІГАЙТЕ ЦІ ВКАЗІВКИ.

▲ ПОПЕРЕДЖЕННЯ: НИКОЛИ НЕ СЛІД втрачати пильності та розслаблюватися під час користування виробом (що трапляється при частому використанні); слід завжди строго дотримуватися правил безпеки під час використання цього пристрою. **НЕНАЛЕЖНЕ ВИКОРИСТАННЯ** або недотримання правил безпеки, викладених в цьому документі, може призвести до серйозних травм.

ПОЗНАЧЕННЯ ЧАСТИН

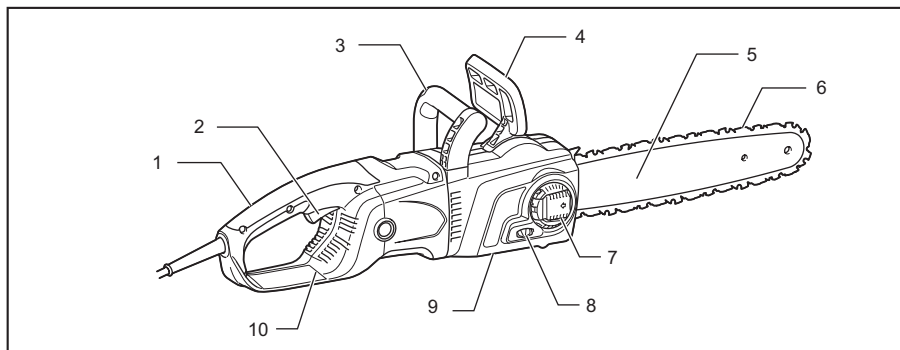
(Модель із гайками: кришка зірочки затягується за допомогою гайок.)

Для моделі ES-154, ES-164, ES-174, ES-184, ES-2131, ES-2136, ES-2141, ES-2146

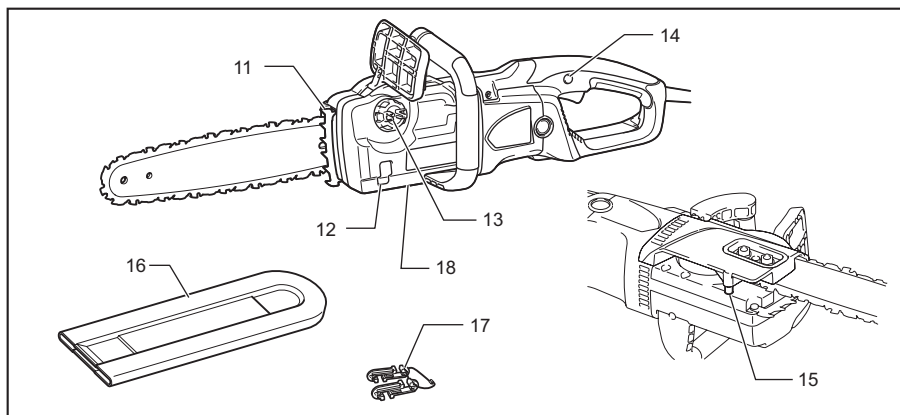


(Модель із важелем: кришка зірочки затягується за допомогою важеля.)

Для моделі ES-154 TLC, ES-164 TLC, ES-174 TLC,
ES-184 TLC, ES-2131 TLC, ES-2136 TLC, ES-2141 TLC,
ES-2146 TLC



(Для усіх моделей)



1	Задня ручка	7	Важіль	13	Кришка для заливання мастила
2	Кнопка вимикача	8	Гвинт/диск регулювання	14	Кнопка блокування вимкненого положення
3	Передня ручка	9	Кришка зірочки	15	Обмежувач ланцюга
4	Передня захисна огорожа для рук	10	Задня захисна огорожа для рук	16	Кожух шини
5	Шина	11	Зубчастий упор	17	Гак для шнура живлення
6	Ланцюгова пила	12	Індикатор рівня мастила	18	Гвинт регулювання мастильного насоса (знизу)

КОМПЛЕКТУВАННЯ

⚠ ОБЕРЕЖНО:

- Перед тим, як щось встановлювати на інструмент, переконайтеся в тому, що він вимкнений та відключений від мережі.

Знімання або встановлення кришки зірочки

Для того щоб зняти кришку зірочки, виконайте такі дії:

(Для моделей із гайками)

► **Рис.1**

Послабте гайку.

(Для моделей із важелем)

► **Рис.2:** 1. Важіль 2. Кришка зірочки

Натисніть і повністю відкрийте важіль до упору. Поверніть важіль проти годинникової стрілки.

Для того щоб встановити кришку зірочки, виконайте описані вище дії у зворотному порядку.

Знімання або встановлення пиляльного ланцюга

⚠ ОБЕРЕЖНО:

- Під час встановлення або зняття пиляльного ланцюга на руки повинні бути вдягнені рукавиці.

Щоб зняти пиляльний ланцюг, виконайте такі дії:

1. Послабте кришку зірочки.
2. (Для моделей із гайками) Поверніть гвинт регулювання ланцюга проти годинникової стрілки, щоб послабити натяг пиляльного ланцюга. (Для моделей із важелем) Поверніть диск регулювання у положення "–", щоб послабити натяг пиляльного ланцюга.

► **Рис.3:** 1. Гвинт регулювання

► **Рис.4:** 1. Диск для регулювання

3. Зніміть кришку зірочки.
4. Зніміть пиляльний ланцюг та шину з пили.

Для того щоб установити пиляльний ланцюг, виконайте такі дії:

5. Перевірте напрям ланцюга. Стрілка на ланцюгу вказує напрям ланцюга.

► **Рис.5:** 1. Зірочка

6. Закріпіть один кінець пиляльного ланцюга у верхній частині шини, а інший кінець – навколо зірочки.

7. Установіть шину на ланцюгову пилу.

8. Узгодьте повзунок натягу із отвором на шині.

► **Рис.6:** 1. Шина 2. Отвір

9. Тримавши шину, поверніть гвинт/диск регулювання, щоб відрегулювати натяг пиляльного ланцюга.

10. Розташуйте кришку зірочки таким чином, щоб гачки збігалися з отворами, а шпень сполучався з відповідним на кришці зірочки.

► **Рис.7:** 1. Скоба 2. Отвір 3. Штифт

11. Затягніть кришку зірочки.

► **Рис.8**

► **Рис.9:** 1. Важіль 2. Кришка зірочки

Регулювання натягу пиляного ланцюга

Після багатьох годин роботи пиляльний ланцюг може послабитись. Слід періодично перевіряти натяг пиляного ланцюга перед використанням.

1. Трохи послабте кришку зірочки.
2. Трохи підніміть кінець шини.
3. Поверніть гвинт/диск регулювання, щоб відрегулювати натяг пиляльного ланцюга.

► **Рис.10:** 1. Послабити 2. Затягнути 3. Гвинт регулювання ланцюга 4. Шина 5. Ланцюгова пила

► **Рис.11:** 1. Послабити 2. Затягнути 3. Диск для регулювання 4. Шина 5. Ланцюгова пила

4. Затягніть пиляльний ланцюг таким чином, щоб нижня сторона пиляльного ланцюга увійшла в напрямку шини (див. кружечок).

5. Утримуючи злегка шину, після проведення регулювання натягу ланцюга затягніть кришку зірочки. Переконайтеся, що пиляльний ланцюг з нижньої сторони шини затягнутий не слабо.

Переконайтеся, що пиляльний ланцюг щільно входить до нижньої сторони шини.

⚠ ОБЕРЕЖНО:

- Не затягуйте пиляльний ланцюг занадто сильно. Надмірний натяг пиляльного ланцюга може призвести до розриву пиляльного ланцюга, зносу шини та до пошкодження диска регулювання.
- Слабо натягнутий ланцюг може зіскочити з шини, тим самим створюючи ризик виникнення нещасного випадку.
- Установлювати та знімати пиляльний ланцюг слід у чистому місці, вільному від тирси і подібного сміття.

Використання шнура-подовжувача

⚠ ОБЕРЕЖНО:

- Обов'язково вимкніть з розетки шнур-подовжувач.

► **Рис.12:** 1. Гак для шнура живлення 2. Кабель інструменту 3. Шнур подовжувач 4. Штепсельна вилка і розетка (форма може відрізнятися залежно від країни)

При використанні шнура-подовжувача його слід скріпити зі шнуром ланцюгової пили за допомогою з'єднувального гачка шнура.

Приєднайте з'єднувальний гачок шнура на відстані 100–200 мм від гнізда шнура-подовжувача. Це дозволить запобігти неочікуваному від'єднанню.

ЗАСТОСУВАННЯ

⚠ОБЕРЕЖНО:

- Під час роботи міцно тримайте інструмент правою рукою за задню ручку, а лівою – за передню ручку інструмента.

Дія вимикача

- **Рис.13:** 1. Кнопка блокування вимкненого положення 2. Курковий вмикач

⚠ОБЕРЕЖНО:

- Перед перевіркою роботи вимикача слід завжди вимикати інструмент і від'єднувати його від мережі живлення.
- Перед вмиканням інструменту у мережу обов'язково перевірте, чи кнопка вимикача нормально спрацьовує і після відпускання повертається в положення "вимкнено".

Для того, щоб запобігти випадковому натисканню курка вимикача, передбачена кнопка блокування вимкненого положення.

Для того щоб запустити інструмент, натисніть на кнопку блокування та натисніть на вмикач. Щоб зупинити роботу, вмикач слід відпустити.

Змащування

⚠ОБЕРЕЖНО:

- Завжди перевіряйте, щоб прилад був вимкнений та відключений від сіті перед змащуванням пильного ланцюга.

- **Рис.14**

Пил'яльний ланцюг та шину слід змащувати мастилом для пил'яльного ланцюга, яке піддається біологічному розпаду та містить зв'язувальну речовину. Зв'язувальна речовина в мастилі для пил'яльного ланцюга запобігає занадто швидкому розбризкуванню мастила з ланцюга. Мінеральні мастила використовувати не можна, оскільки вони є шкідливими для довкілля.

⚠ОБЕРЕЖНО:

- Запобігайте потрапляння мастила на шкіру та в очі. Потрапляння в очі викликає подразнення. У разі потрапляння в очі слід негайно промити поранене око чистою водою та одразу ж звернутись до лікаря.
- Заборонено використовувати відпрацьоване мастило. Відпрацьоване мастило містить канцерогенні речовини. Забруднюючі речовини у відпрацьованому мастилі призводять до швидкого зносу мастильного насоса, шини та ланцюга. Відпрацьоване мастило є шкідливим для довкілля.
- Під час першого заливання мастила для пильного ланцюга або під час заправки пустої баки, мастило слід заливати до рівня нижньої частини заливної горловини. Інакше постачання мастила може бути утруднено.

- **Рис.15:** 1. Кришка для заливання мастила
2. Стрічка

Щоб залити мастило, виконайте такі дії:

1. Ретельно очистіть ділянку навколо заливної горловини, щоб запобігти потраплянню бруду в мастильний бак.
2. Виверніть кришку заливної горловини та додайте мастило до рівня нижньої частини заливної горловини.
3. Поставте кришку горловини на місце та щільно закрутіть її.
4. Обережно зітріть залишки мастила пильного ланцюга.

ПРИМІТКА:

- Під час першого використання пильного ланцюга може знадобитись біля двох хвилин для того, щоб мастило для пильного ланцюга почало змащувати механізм пили. Дайте пилі попрацювати без навантаження, доки не почнеється змащування (див. "ПЕРЕВІРКИ").

ПЕРЕВІРКИ

Перед тим, як почати роботу, слід виконати наступні перевірки:

Перевірте натяг ланцюга

⚠ПОПЕРЕДЖЕННЯ:

- Перед тим, як перевірити натяг ланцюга, слід завжди відключати кабелі живлення від сіті та вдягати захисні рукавиці.

(Для моделей із гайками)

- **Рис.16:** 1. Послабити 2. Затягнути 3. Гвинт регулювання ланцюга 4. Шина 5. Ланцюгова пила

(Для моделей із важелем)

- **Рис.17:** 1. Послабити 2. Затягнути 3. Диск для регулювання 4. Шина 5. Ланцюгова пила

Переконайтеся, що пил'яльний ланцюг щільно входить до нижньої сторони шини (див. кружечок).

Перевіряйте натяг ланцюга якомога частіше, оскільки нові ланцюги розтягуються.

Надмірний натяг пил'яльного ланцюга може призвести до розриву пил'яльного ланцюга, зносу шини та до пошкодження диска регулювання.

Слабко натягнутий ланцюг може зіскочити з шини, тим самим створюючи ризик виникнення нещасного випадку. Якщо ланцюг занадто слабо натягнутий: Див. розділ "Регулювання натягу пил'яльного ланцюга" та наново відрегулюйте натяг пил'яльного ланцюга.

Перевірка роботи перемикача

- ⚠ОБЕРЕЖНО:** Перед вмиканням інструменту у мережу обов'язково перевірте, чи кнопка вимикача нормально спрацьовує і після відпускання повертається в положення "вимкнено".

Для того, щоб запобігти випадковому натисканню курка вимикача, передбачена кнопка блокування вимкненого положення.

Для того щоб запустити інструмент, натисніть на кнопку блокування та натисніть на вмикач. Щоб зупинити роботу, вмикач слід відпустити.

Не можна із силою натискати на вмикач, не натиснувши кнопку блокування. Це може призвести до поломки вимикача.

Перевірка гальма ланцюга

ПРИМІТКА:

- Якщо ланцюгова пила не запускається, слід перевірити, чи відпущено гальмо ланцюга. Щоб відпустити гальмо ланцюга, потягніть захисну огорожу для рук до себе.

► **Рис.18:** 1. Передня захисна огорожа для рук
2. Блокувати 3. Розблокувати

► **Рис.19:** 1. Передня захисна огорожа для рук
2. Розблокувати 3. Блокувати

Перевірте гальмо ланцюга таким чином:

1. Під час увімкнення ланцюгової пили завжди тримайте її обома руками. Тримайтеся правою рукою за задню ручку, а лівою – за передню ручку. Завжди перевіряйте, щоб шина і ланцюг не торкалися інших предметів.
2. Спочатку натисніть кнопку блокування вимкненого положення, а потім натисніть на курок вмикача. Пила одразу ж запуститься.
3. Тильною стороною руки натисніть на передню захисну огорожу для рук та штовхніть її уперед. Переконайтеся, що пиляльний ланцюг зупиняється негайно.

⚠ОБЕРЕЖНО:

- Якщо пиляльний ланцюг не зупиняється негайно, у жодному разі не використовуйте пилу. Зверніться до авторизованого сервісного центру DOLMAR.

Перевірка інерційного гальма

Запустіть пилу.

Повністю відпустіть вмикач. Переконайтеся, що пиляльний ланцюг зупиняється через секунду.

⚠ОБЕРЕЖНО:

- Якщо пиляльний ланцюг не зупиняється негайно, у жодному разі не використовуйте пилу. Зверніться до авторизованого сервісного центру DOLMAR.

Перевірка маслянки ланцюга

Перед тим, як починати роботу, слід перевірити рівень мастила в баку, а також її постачання. Рівень мастила можна подивитись через віконце рівня мастила, як показано на малюнку.

► **Рис.20:** 1. Індикатор рівня мастила

Постачання мастила слід перевірити наступним чином.

Запустіть пилу.

Потримайте пиляльний ланцюг працюючої пили приблизно в 15 см над стовбуром дерева або землею.

У разі належного змащення розпорощене мастило залишить слабкий слід.

Слідкуйте за напрямом вітру та не ставайте без необхідності під розпорощене мастило.

⚠ОБЕРЕЖНО:

- Якщо слід з мастила не утворюється, пилу використовувати неможна. В протилежному випадку термін служби пильного ланцюга буде меншим. Перевірте рівень мастила. Очистіть паз та отвір для заливання мастила на шині (див. "ОБСЛУГОВУВАННЯ").

Регулювання змащування ланцюга

► **Рис.21**

Продуктивність мастильного насоса можна регулювати за допомогою гвинта регулювання.

РОБОТА З ЛАНЦЮГОВОЮ ПИЛОЮ

⚠ОБЕРЕЖНО:

- Під час роботи слід завжди використовувати передню й задню ручки та міцно тримати інструмент за обидві ручки.
- Завжди закріплюйте колоду, яку збирається різати, інакше відрізані частини можуть завдати травми.

Розпилювання

► **Рис.22:** 1. Зубчастий упор

У разі розпилювання на колоді слід установити зубчастий упор на деревину, що розрізатиметься, як показано на малюнку.

Запустивши ланцюг пили, заведіть пилу в деревину, використовуючи задню ручку для того, щоб підняти пилу, а передню – щоб її направляти. Зубчастий упор використовуйте як точку опори.

Продовжуйте пиляння, злегка натискаючи на передню ручку та трохи відтягуючи пилу назад. Пересуньте зубчастий упор далі по колоді та знов підніміть передню ручку.

Коли треба зробити декілька розпилювань, пилу між розпилюваннями слід зупиняти.

⚠ОБЕРЕЖНО:

- Якщо для розпилювання використовувати верхній край шини, то пила може відхилитись, та пильний ланцюг може заклінути. Тому слід пиляти нижнім краєм, щоб пила була направлена від вашого тіла.

► **Рис.23**

Спочатку пиляйте дерево під навантаженням з боку прогину (А). Потім зробіть кінцевий пропил з боку натягу (В). Це запобігає заїданню шини.

► **Рис.24**

Обрізання сучків

⚠ОБЕРЕЖНО:

- Обрізання сучків повинно виконуватись спеціально навченими особами. Ризик віддачі створює небезпеку.

Під час обрізання сучків, якщо можливо, слід оперти пилу на стовбур. Не слід пиляти кінцем шини, оскільки це створює ризик віддачі. Особливу увагу слід приділяти гілкам, що знаходяться під навантаженням. Заборонено пиляти знизу гілки, що не мають опори. Заборонено стояти на стовбурі під час обрізання сучків.

Риючі пропили та пропили, паралельні волокнам

⚠ОБЕРЕЖНО:

- Риючі пропили та пропили, паралельні волокнам повинні виконуватись спеціально навченими особами. Можливість віддачі створює небезпеку поранення.

► Рис.25

Паралельні волокнам пропили слід виконувати під максимально малим кутом. Пропил слід виконувати якомога обережніше, оскільки під час його виконання неможливо використовувати зубчастий упор.

Ваління лісу

⚠ОБЕРЕЖНО:

- Роботи з ваління лісу повинні виконуватись спеціально навченими особами. Ця робота є небезпечною.

У разі потреби спилати дерево слід виконувати місцеві вимоги.

► Рис.26: 1. Дільниця пиляння дерев

- Перед початком робіт з ваління лісу слід перевірити наступне:
 - Що поблизу знаходяться тільки особи, задіяні у роботах в з ваління лісу;
 - Кожна задіяна в роботах людина повинна мати шлях вільного відходу в межах приблизно 45° з кожного боку від вісі ваління. Слід також взяти до уваги ризик чіпання за електричні кабелі;
 - На основі стовбура не повинно бути сторонніх предметів, коріння або гілок;
 - На відстані 2,5 довжини дерева у напрямку його падіння не повинно бути людей та будь-яких предметів.
- ПО кожному дереву слід перевірити наступне:
 - Напрямок упора;
 - Слабкі або сухі гілки;
 - Висота дерева;
 - Природне провисання;
 - Чи є дерево гнилим.
- Беріть до уваги швидкість та напрям вітру. Не треба проводити роботи з ваління лісу під час сильних поривів вітру.
- Обрізання наплівів коріння: Починайте з найбільшого напливу. Спочатку слід зробити вертикальний зріз, а потім - горизонтальний.

► Рис.27

- Випиляйте підпилку. Підпилка визначає напрям, у якому падатиме дерево, а також направляє його. Підпилку роблять з того боку дерева, у який воно падатиме. Підпилку треба робити якомога ближче до землі. Спочатку треба зробити горизонтальний проріз на 1/5-1/3 діаметра стовбура. Не слід робити підпилку занадто великою. Після цього зробіть діагональний проріз.
- Скорегуйте підпилку по всій її ширині.

► Рис.28

- Зробіть протилежний виріз дещо вище, ніж основа підпилки. Протилежний виріз повинен бути чітко горизонтальним. Залиште приблизно 1/10 діаметра стовбура між протилежним вирізом та підпилкою. Волокна деревини на незрізаній частині стовбура виконують функцію шарніра. Ні за яких обставин не слід перерізати волокна, оскільки це може призвести до неконтрольованого падіння дерева. Слід вчасно вставляти клини у пропил.
 - Для того щоб утримувати пропил відкритим, можна використовувати лише пластикові або алюмінієві клини. Використовувати залізни клини заборонено.
 - Слід стояти збоку від дерева, що падає. Ділянку ззаду дерева, що падає, слід залишити свободою під кутом біля 45° з обох сторін вісі (див. малюнок "ділянка ваління") Слід бути уважним та дивитись за гілками, що падають.
 - Шлях аварійного відходу повинен бути належним чином спланований та розчищений перед тим, як починає ризання. Шлях аварійного відходу повинен вести по діагоналі назад від очікуваної лінії падіння, як вказано на малюнку.
- Рис.29: 1. Напрямок ваління лісу 2. Зона небезпеки 3. Маршрут аварійного відходу

ТЕХНІЧНЕ ОБСЛУГОВУВАННЯ

⚠ОБЕРЕЖНО:

- Перед тим, як оглянути інструмент, або виконати ремонт, переконайтеся, що він вимкнений та відключений від мережі.
- Під час перевірки або обслуговування слід бути у захисних рукавицях.
- Ніколи не використовуйте газолін, бензин, розріджувач, спирт та подібні речовини. Їх використання може призвести до зміни кольору, деформації та появи тріщин.

Описані нижче роботи з обслуговування слід проводити регулярно. Претензії по гарантії прийматимуться тільки за умови регулярного та належного виконання цих робіт.

Користувач може проводити лише роботи з обслуговування, зазначені в цих інструкціях з експлуатації. Усі інші роботи повинні здійснюватися в авторизованому сервісному центрі компанії DOLMAR.

Чищення пильного ланцюга

Пилу слід регулярно чистити за допомогою чистого драгтя. Зокрема ручки повинні завжди очищатись від мастила.

Перевірка пластикового корпусу

Слід проводити регулярну візуальну перевірку усіх деталей корпусу. У разі пошкодження будь-яких деталей слід негайно звертатися з питань їхньої заміни до авторизованого сервісного центру DOLMAR.

Заточка ланцюгової пили

⚠ ОБЕРЕЖНО:

- При виконанні робіт на ланцюговій пилі слід завжди вимикати її з сіті та вдягати захисні рукавиці.

► Рис.30

Пильний ланцюг слід заточити, коли:

- Під час пиляння сирого дерева утворюється борошниста тирса;
- Ланцюг входить в дерево на силу, навіть якщо на пилу натиснути;
- Ріжуча кромка явно пошкоджена;
- Пилу в деревині тягне праворуч або ліворуч. Причина такої поведінки – нерівномірна заточка пиляльного ланцюга або пошкодження однієї сторони.

Слід часто заточувати пилу, але при цьому кожного разу слід сточувати небагато металу.

Для повсякденного заточування зазвичай вистачає двох або трьох проходів напилком. Після того як ланцюгова пила була заточена декілька разів, її слід заточити в авторизованому сервісному центрі DOLMAR.

Критерії заточки:

- Довжина всіх зубців повинна бути однаковою. Якщо зубці будуть різної довжини, це заважає тим належній роботі ланцюга і може призвести до його поломки.
- Якщо було досягнуто мінімальну довжину різаків 3 мм, більше ланцюг заточувати неможливо. Треба встановити новий ланцюг.
- Товщина шпінки визначається відстанню між глибиноміром (круглим носиком) та ріжучою кромкою.
- Найліпші результати пиляння забезпечуються, коли відстань між ріжучою кромкою та глибиноміром є такою.

Полотно ланцюга 492 (91PX): 0,65 мм

- Рис.31: 1. Довжина різання 2. Відстань між ріжучою кромкою і обмежувачем глибини 3. Мінімум 3 мм

⚠ ПОПЕРЕДЖЕННЯ:

- Занадто велика відстань збільшує ризик віддачі.

- Кут заточки усіх зубців повинен бути 30°. Якщо кут заточки зубців неоднаковий, це призводить до нерівномірної та ускладненої роботи ланцюга, що прискорює його знос та призводить до його поломки.
- Кут бокової пластини зубця визначається глибиною проникнення круглого напилка. Якщо спеціальний напилком використовувати належним чином, правильний кут бокової пластини зубця буде забезпечуватись автоматично.
- Кут бокової пластини зубця для кожного пиляльного ланцюга такий:
Полотно ланцюга 492 (91PX): 80°

► Рис.32: 1. Кут бокової пластини зубця

Напилком та направлення напилка

- Для заточки ланцюга слід використовувати спеціальний круглий напилком для пиляльних ланцюгів (додаткове приладдя). Звичайні круглі напилки не підходять.
- Діаметр круглого напилка для кожного пиляльного ланцюга такий:
Полотно ланцюга 492 (91PX): 4,0 мм
- Напилком повинен обробляти зубець тільки під час руху уперед. Під час зворотного руху напилком слід піднімати над зубцем.
- Спочатку слід заточити найкоротший зубець. Потім довжина цього найкоротшого зубця стає стандартом для всіх інших зубців на пиляльному ланцюзі.

► Рис.33

- Направляйте напилком як показано на малюнку.
- Напилком легше направляти, якщо використовувати держак для напилка (додаткова приналежність). На держак для напилка є мітки вірного кута заточки 30° (слід виставити мітки паралельно пильному ланцюгу), та віт також обмежує глибину проникнення (на 4/5 діаметра напилка).

► Рис.34

- Після заточки ланцюга слід перевірити висоту глибиноміра, використовуючи щуп для пильного ланцюга (додаткова приналежність).

► Рис.35

- Слід видалити матеріал, що виступає, однак це слід робити за допомогою спеціального плоского напилка (додаткова приналежність).
- Ще раз закрутіть передню частину глибиноміра.

Чищення шини та змащення зірочки

⚠ ОБЕРЕЖНО:

- Для виконання цього завдання слід завжди вдягати захисні рукавиці. Задирки створюють небезпеку поранення.

► Рис.36

Регулярно перевіряйте робочі поверхні шини на наявність пошкоджень. Чищення слід проводити з використанням належного інструмента, при необхідності видаляйте задирки.

Якщо ланцюговою пилою користуються часто, слід не менш ніж раз на тиждень змащувати підшипник зворотної зірочки. Перед тим, як заливати нове мастило, слід ретельно вичистити 2 мм отвір на кінці шини, а потім залити невелику кількість багатоцільового мастила (додаткова приналежність) в отвір.

Чищення напрямного жолоба для мастила.

► Рис.37: 1. Напрямний жолоб для мастила 2. Отвір для заливання мастила

- Регулярно очищуйте паз та отвір для заливання мастила на шині.

Нові пильні ланцюги

По черзі використовуйте два щоб три пильних ланцюга, щоб пильний ланцюг, зірочка та робочі поверхні шини зношувались рівномірно.

У разі заміни ланцюга слід перевернути шину, щоб паз шини зношувався рівномірно.

⚠ ОБЕРЕЖНО:

- Використовуйте тільки ланцюги та шини, що є рекомендованими для використання із цією пилою (див. "ТЕХНІЧНІ ХАРАКТЕРИСТИКИ").

► Рис.38: 1. Зірочка

Перед тим, як встановлювати новий ланцюг, слід перевірити стан зірочки.

⚠ ОБЕРЕЖНО:

- Зношена зірочка завдає шкоди новому пильному ланцюгу. У такому випадку зірочку необхідно замінити.

У разі заміни зірочки слід завжди замінювати стопорне кільце.

Обслуговування ланцюга та інерційних гальм

Гальмові системи є дуже важливими засобами безпеки. Як усі інші частини ланцюгової пили, вони теж піддаються певному зносу. Їх повинні регулярно оглядати представники авторизованого сервісного центру DOLMAR. Це забезпечить вашу власну безпеку.

Заміна вугільних щіток

► Рис.39: 1. Обмежувальна відмітка

Регулярно знімайте та перевіряйте вугільні щітки. Замінійте їх, коли знос сягає граничної відмітки. Вугільні щітки повинні бути чистими та вільно рухатись у щіткотримачах. Одночасно треба замінювати обидві вугільні щітки. Використовуйте лише однакові вугільні щітки.

► Рис.40: 1. Ковпачок щіткотримача 2. Викрутка

Для виймання ковпачків щіткотримачів користуйтеся викруткою. Видаліть зношені вугільні щітки, вставте нові та закріпіть ковпачки щіткотримачів. Після заміни щіток увімкніть інструмент в електрорежу та притріть щітки, давши інструментові попрацювати без навантаження близько 10 хвилин.

Зберігання інструмента

Мастило для пильного ланцюга, що піддається біологічному розпаду можна зберігати тільки протягом обмеженого часу. Через два роки після виготовлення, біологічні мастила набувають клейких властивостей, та можуть завдати шкоди мастильному насосові та компонентам системи змащування.

- Перед тим, як знімати пильний ланцюг на тривалий період, слід опорожнити мастильний бак за допомогою невеликої кількості машинного мастила (SAE30).
- Слід запустити пилу та дати їй трохи попрацювати, щоб вимити залишки біологічного мастила із системи змащування та механізму пили.

ПРИМІТКА:

- Після припинення експлуатації ланцюгової пили з неї ще протягом деякого часу витікатиме невелика кількість мастила. Це є нормальним явищем і не є ознакою дефекту.

Ланцюгову пилу слід зберігати на належній поверхні. Перед тим, як повертати ланцюгову пилу в експлуатацію, в неї слід залити свіже мастило для пильного ланцюга VIOTOR.

Для забезпечення БЕЗПЕКИ та НАДІЙНОСТІ виробу його ремонт, а також роботи з його обслуговування або регулювання повинні виконуватись вповноваженими сервісними центрами DOLMAR із використанням запчастин виробництва компанії DOLMAR.

УСУНЕННЯ НЕСПРАВНОСТЕЙ

Перш ніж віддавати інструмент для виконання ремонту, проведіть його перевірку власноруч. У разі виявлення несправності, яка не пояснюється в цих інструкціях з експлуатації, не намагайтеся розібрати інструмент. Замість цього зверніться до авторизованого сервісного центру Dolmar.

Статус несправності	Можлива причина	Спосіб виправлення
Ланцюгова пила не запускається.	Відсутнє живлення.	Підключіть до джерела живлення. Перевірте, чи є живлення.
	Несправний кабель.	Негайно припиніть використання інструмента і зверніться до найближчого авторизованого сервісного центру.
	Інструмент несправний.	Негайно припиніть використання інструмента і зверніться до найближчого авторизованого сервісного центру.
Ланцюг не рухається.	Натиснуто гальмо ланцюга.	Відпустіть гальмо ланцюга.
Недостатня продуктивність.	Зношена графітова щітка.	Зверніться до місцевого авторизованого сервісного центру з приводу ремонту.
На ланцюзі немає мастила.	Масильний бак порожній.	Заповніть масильний бак.
	Забруднений напрямний жолоб для мастила.	Прочистіть жолоб.
	Гвинт регулювання масильного насоса відрегульований неправильно.	Відрегулюйте продуктивність масильного насоса.
Ланцюг не зупиняється, навіть коли гальмо ланцюга натиснуто.	Зношена стрічка гальма.	Негайно припиніть використання інструмента і зверніться до найближчого авторизованого сервісного центру.
Завелика вібрація інструмента.	Послабте шину або пиляльний ланцюг.	Відрегулюйте шину та натяг пиляльного ланцюга.
	Інструмент несправний.	Негайно припиніть використання інструмента і зверніться до найближчого авторизованого сервісного центру.

ДОДАТКОВЕ ПРИЛАДДЯ

⚠ ОБЕРЕЖНО:

- Це додаткове та допоміжне обладнання рекомендується використовувати з Вашим інструментом Dolmar, у відповідності до цих інструкцій з використання. Використання будь-якого іншого додаткового та допоміжного обладнання може становити небезпеку травмування. Використовуйте додаткове та допоміжне обладнання лише за передбаченим призначенням.

ПРИМІТКА:

- Деякі елементи списку можуть входити до комплекту інструмента як стандартне приладдя. Вони можуть відрізнятися залежно від країни.

У випадку, якщо Вам необхідна будь-яка допомога та більш детальна інформація стосовно цього додаткового обладнання, звертайтеся до Вашого місцевого сервісного центру Dolmar.

- Ланцюгова пила
- Кожух шини
- Шина
- Мастило для пиляльного ланцюга











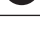
SPECYFIKACJE

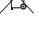
Model		ES-154	ES-154 TLC	ES-164	ES-164 TLC	ES-174	ES-174 TLC	ES-184	ES-184 TLC
		ES-2131	ES-2131 TLC	ES-2136	ES-2136 TLC	ES-2141	ES-2141 TLC	ES-2146	ES-2146 TLC
Maks. prędkość łańcucha		14,5 m/s (870 m/min)							
Standardowa prowadnica	Długość prowadnicy	300 mm		350 mm		400 mm		450 mm	
	Długość tnąca	260 mm		320 mm		355 mm		415 mm	
	Typ prowadnicy	Prowadnica gwiazdkowa							
Standardowy łańcuch tnący	Typ	492 (91PX)							
	Podziątka	3/8"							
	Liczba ogniw napędowych	46		52		56		62	
Zalecana długość prowadnicy		300 - 450 mm							
Całkowita długość (bez prowadnicy)		505 mm							
Ciężar netto		5,4 kg	5,5 kg	5,5 kg	5,5 kg	5,6 kg	5,6 kg	5,7 kg	5,7 kg
Przedłużacz (opcjonalny)		DIN 57282/HO 7RN -F dł. =30 m maks., 3x1,5 mm ²							

- W związku ze stale prowadzonym przez naszą firmę programem badawczo-rozwojowym, niniejsze specyfikacje mogą ulec zmianom bez wcześniejszego powiadomienia.
- Specyfikacje mogą różnić się w zależności od kraju.
- Waga obliczona zgodnie z procedurą EPTA 01/2003

Symbol

Poniżej pokazano symbole zastosowane na urządzeniu. Przed użyciem należy zapoznać się z ich znaczeniem.

	Należy przeczytać instrukcję obsługi i postępować zgodnie z ostrzeżeniami i zasadami bezpieczeństwa.
	Należy stosować środki ochrony wzroku.
	Należy nosić środki ochrony słuchu.
	PODWÓJNA IZOLACJA
	Uwaga: wymagana jest szczególna ostrożność i uwaga!
	Uwaga: w przypadku uszkodzenia przewodu należy natychmiast wyciągnąć wtyczkę zasilającą!
	Uwaga: odrzut!
	Chronić przed deszczem i wilgocią!
	Stosować kask, gogle oraz odpowiednią ochronę uszu!
	Zakładać rękawice ochronne!
	Wyciągnąć wtyczkę zasilającą z gniazda!

	Pierwsza pomoc
	Maksymalna dopuszczalna długość cięcia
	Kierunek posuwu łańcucha
	Olej do smarowania łańcuchów
	Hamulec łańcucha zwolniony
	Hamulec łańcucha zaciągnięty
	Zabronione!
	Dotyczy tylko państw UE Nie wyrzucaj urządzeń elektrycznych wraz z odpadami do gospodarstwa domowego! Zgodnie z Europejską Dyrektywą w sprawie zużytego sprzętu elektrycznego i elektronicznego oraz dostosowaniem jej do prawa krajowego, zużyte urządzenia elektryczne należy składować osobno i przekazywać do zakładu recyklingu działającego zgodnie z przepisami dotyczącymi ochrony środowiska.

Przeznaczenie

Narzędzie to jest przeznaczone do cięcia tarcicy i kłód drewna.

Zasilanie

Narzędzie wolno podłączać tylko do źródeł zasilania o napięciu zgodnym z napięciem podanym na tabliczce znamionowej. Można je zasilać wyłącznie jednofazowym prądem przemiennym. Jest ono podwójnie izolowane, dlatego też można je zasilać z gniazda bez uziemienia.

Poziom hałas i drgań

Typowy równoważny poziom dźwięku A określony w oparciu o EN60745:

Poziom ciśnienia akustycznego (L_{pA}): 90,8 dB (A)

Poziom mocy akustycznej (L_{WA}): 101,8 dB (A)

Niepewność (K): 2,5 dB (A)

Należy stosować ochraniacze na uszy

Drgania

Całkowita wartość poziomu drgań (suma wektorów w 3 osiach) określona zgodnie z normą EN60745:

Tryb pracy: cięcie drewna

Emisja drgań (a_h): 5,2 m/s²

Niepewność (K): 1,5 m/s²

WSKAZÓWKA: Deklarowana wartość wytwarzanych drgań została zmierzona zgodnie ze standardową metodą testową i można ją wykorzystać do porównywania narzędzi.

WSKAZÓWKA: Deklarowaną wartość wytwarzanych drgań można także wykorzystać we wstępnej ocenie narażenia.

⚠️ OSTRZEŻENIE: Drgania wytwarzane podczas rzeczywistego użytkowania elektronarzędzia mogą się różnić od wartości deklarowanej, w zależności od sposobu jego użytkowania.

⚠️ OSTRZEŻENIE: W oparciu o szacowane narażenia w rzeczywistych warunkach użytkowania należy określić środki bezpieczeństwa w celu ochrony operatora (uwzględniając wszystkie elementy cyklu działania, tj. czas, kiedy narzędzie jest wyłączone i kiedy pracuje na biegu jałowym, a także czas, kiedy jest włączone).

Deklaracja zgodności WE

Dotyczy tylko krajów europejskich

Deklaracja zgodności WE jest dołączona jako załącznik A do niniejszej instrukcji obsługi.

Ogólne zasady bezpieczeństwa obsługi elektronarzędzia

⚠️ OSTRZEŻENIE Przeczytaj wszystkie ostrzeżenia i instrukcje. Nie przestrzeganie ich może prowadzić do porażen prądem, pożarów i/lub poważnych obrażeń ciała.

Wszystkie ostrzeżenia i instrukcje należy zachować do późniejszego wykorzystania.

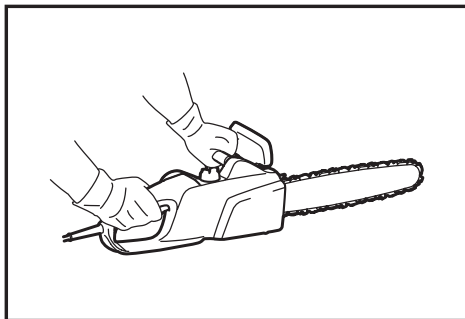
Ostrzeżenia dotyczące bezpiecznej eksploatacji piły łańcuchowej

1. **Gdy silnik jest włączony, należy trzymać wszystkie części ciała z dala od łańcucha tnącego. Przed rozpoczęciem pracy z pilarką łańcuchową, należy upewnić się, że łańcuch tnący nie dotyka.** Podczas pracy z taką pilarką chwila nieuwagi może spowodować pochwycenie części ubrania lub ciała.
2. **Prawa ręka powinna zawsze spoczywać na tylnym uchwycie, a lewa na przednim.** Trzymanie pilarki łańcuchowej odwrotnie zwiększa ryzyko powstania obrażeń ciała i absolutnie nie powinno być praktykowane.
3. **Ponieważ elektronarzędzie może zetknąć się z ukrytymi przewodami elektrycznymi bądź własnym przewodem zasilającym, należy trzymać je tylko za izolowane uchwyty.** Kontakt łańcucha pilarki z przewodem elektrycznym pod napięciem powoduje, że również odsłonięte elementy metalowe narzędzia znajdują się pod napięciem, grożąc porażeniem operatorem prądem elektrycznym.
4. **Używać okularów ochronnych i ochraniaczy na uszy. Zaleca się używanie dodatkowego wyposażenia chroniącego głowę, ręce, nogi i stopy.** Odpowiednia odzież ochronna obniża ryzyko powstania obrażeń ciała powodowanych odpryskami lub przypadkowym dotknięciem łańcucha.
5. **Nie wolno pracować z pilarką łańcuchową na drzewach.** Pracując z pilarką na drzewie możesz się poranić.
6. **Należy zawsze stać pewnie i obsługiwać pilarkę łańcuchową tylko stojąc na stałej, bezpiecznej i równej powierzchni.** Ćieliskie lub niepewne podłoże, np. drabina może spowodować utratę równowagi lub panowania nad pilarką.
7. **Podczas cięcia naprężonych gałęzi należy uważać na ich powracanie na miejsce/odskaikwanie.** Kiedy naprężenie gałęzi zostanie zwolnione, gałąź może uderzyć obsługującego, a także wyrwać mu pilarkę spod kontroli.
8. **Należy bardzo uważać podczas cięcia krzaków i młodych drzewek.** Cienkie gałązki mogą być chwytane przez łańcuch tnący i uderzać Cię, albo pociągać wytrącając Cię z równowagi.
9. **Pilarkę łańcuchową należy przenosić wyłączoną, trzymając ją za uchwyt przedni i z dala od siebie.** Podczas transportowania lub przechowywania pilarki łańcuchowej, pokrywa przewodnicząca musi być zawsze założona. Prawidłowe obchodzenie się z pilarką zmniejsza prawdopodobieństwo przypadkowego dotknięcia poruszającego się łańcucha.
10. **Smarowanie, napinanie łańcucha i wymianę osprzętu należy przeprowadzać zgodnie z instrukcjami.** Nieprawidłowo napięty lub nasmarowany łańcuch może się zerwać albo powodować odrzucanie.
11. **Uchwyty powinny być zawsze suche, czyste i wolne od olejów i smarów.** Tłuste uchwyty są śliskie i uniemożliwiają panowanie nad narzędziem.

12. **Dozwolone jest cięcie wyłącznie drewna. Nie używaj tej pilarki niezgodnie z jej przeznaczeniem. Na przykład: nie używaj jej do cięcia tworzyw sztucznych, cegieł i innych materiałów budowlanych innych niż drewno.** Używanie pilarki łańcuchowej do innych, niezgodnych z przeznaczeniem celów może stwarzać niebezpieczne sytuacje.

13. **Przyczyny odrzutu narzędzia i zapobieganie temu zjawisku przez operatora:**
Odrzut może powstawać, kiedy nosek lub końcówka prowadnicy dotyka czegoś, lub kiedy łańcuch zakleszczy się w ciętym drewnie. Kontakt z końcówką prowadnicy może nieraz powodować gwałtowną reakcję wstecz, przez co prowadnica podskoczy do tyłu w kierunku obsługującego. Zakleszczenie się łańcucha u góry prowadnicy może gwałtownie popchnąć prowadnicę w kierunku obsługującego.
Każdą z tych reakcji może spowodować utratę panowania nad pilarką, co grozi poważnym zranieniem. Nie wolno polegać wyłącznie na urządzeniach zabezpieczających, w które Twoja pilarka jest wyposażona. Użytkownik pilarki łańcuchowej musi podjąć szereg kroków, aby nie dopuszczać do wypadków i obrażeń podczas pracy.
Odrzut jest wynikiem nieprawidłowej eksploatacji narzędzia i/lub niewłaściwych procedur lub warunków jego obsługi. Można go uniknąć podejmując podane poniżej, odpowiednie środki ostrożności:

- **Przez cały czas należy narzędzie mocno trzymać kciukami i palcami, obejmując uchwyty pilarki łańcuchowej i ustawiając się w taki sposób, aby przeciwdziałać siłom odrzutu.** Operator może jednak kontrolować siły odrzutu, jeżeli zostaną podjęte odpowiednie środki ostrożności. Nie dopuszczać do odrzutu pilarki łańcuchowej.



- **Nie należy zbyt daleko wyciągać ręki ani ciąć powyżej wysokości barku.** Pomoże to zapobiec przypadkowemu kontaktowi z końcówką i zapewni lepszą kontrolę nad pilarką w nieoczekiwanych sytuacjach.
- **Należy stosować zamiennie miecze i łańcuchy określone przez producenta.** Niewłaściwe miecze i łańcuchy zamiennie mogą spowodować zerwanie łańcucha i/lub odrzucenie urządzenia.
- **Należy przestrzegać instrukcji producenta dotyczących ostrzenia i konserwacji pilarki łańcuchowej.** Zmniejszenie wysokości ogranicznika głębokości cięcia może powodować silne odrzuty.

DODATKOWE ZALECENIA DOTYCZĄCE BEZPIECZEŃSTWA

1. Aby zapoznać się z obsługą pilarki łańcuchowej, należy przeczytać jej instrukcję obsługi.
2. Przed przystąpieniem do użytkowania pilarki łańcuchowej po raz pierwszy warto wziąć udział w instruktażu z zakresu jej obsługi. Jeżeli nie ma takiej możliwości, przed przystąpieniem do pracy dobrze jest poznać cięcie drewnianych okrągłaków na koziółku.
3. Dzieciom i młodzieży poniżej 18 roku życia nie wolno obsługiwać pilarki łańcuchowej. Młode osoby powyżej 16 roku życia można wyłączyć z tego zastrzeżenia, jeżeli odbywają szkolenie pod nadzorem fachowca.
4. Praca z użyciem pilarki łańcuchowej wymaga dużego skupienia. Nie wolno przystępować do pracy z użyciem pilarki w przypadku osłabienia lub choroby. Wszelkie czynności powinny być wykonywane spokojnie i ostrożnie.
5. Osobom pod wpływem alkoholu, narkotyków lub przyjmującym leki nie wolno podejmować pracy.

Właściwa eksploatacja

1. Pilarka łańcuchowa jest przeznaczona wyłącznie do cięcia drewna. Nie wolno jej używać, na przykład, do cięcia tworzyw sztucznych lub porowatego betonu.
2. Omawianą pilarkę łańcuchową można używać wyłącznie do operacji opisanych w niniejszej instrukcji obsługi. Przykładowo, **nie** wolno używać jej do przycinania żywopłotu lub tym podobnych celów.
3. Omawianej pilarki łańcuchowej nie wolno używać do prac w lesie, tzn. do wycięcia i okrzesywania drzew. Kabel pilarki łańcuchowej nie zapewnia operatorowi odpowiedniej mobilności i bezpieczeństwa, jakie są wymagane przy tego typu pracach.
4. Pilarka łańcuchowa nie jest przeznaczona do użytku komercyjnego.
5. Pilarki łańcuchowej nie wolno przeciążać.

Sprzęt ochrony osobistej

1. Ubranie powinno przylegać do ciała, ale nie może krępować ruchów.
2. Podczas pracy należy korzystać z następujących środków ochrony:
 - Atestowany kask ochronny, jeżeli występuje zagrożenie ze strony spadających gałęzi lub tym podobne;
 - Maskę twarzową lub gogle;
 - Odpowiednią ochronę uszu (nauszniaki, tradycyjne lub plastikowe zatyczki do uszu). Na życzenie analiza oktawowa.
 - Porządne, skórzane rękawice ochronne;
 - Długie spodnie z mocnego materiału;
 - Kombinezon ochronny wykonany z antyprzecięciowego materiału;
 - Obuwie ochronne z antypoślizgową podeszwą, stalowymi noskami i wyściółką z materiału odpornego na przecięcia;

- Maska oddechowa, gdy podczas pracy powstaje pył (np. trociny).

Ochrona przed porażeniem prądem



Pilarki łańcuchowej nie wolno używać podczas opadów lub w warunkach dużej wilgotności, ponieważ silnik elektryczny nie jest wodoszczelny.

1. Pilę wolno podłączać wyłącznie do gniazdek z uziemieniem w obrębie sprawdzonych obwodów elektrycznych. Należy sprawdzić, czy napięcie sieci jest zgodne z napięciem na tabliczce znamionowej. Upewnić się, czy na linii zainstalowano bezpiecznik 16 A. Pilarki używane na wolnym powietrzu powinny być podłączone do wyłącznika różnicowo-prądowego o prądzie złączającym nie większym niż 30 mA.



W przypadku uszkodzenia przewodu połączeniowego należy natychmiast wyciągnąć wtyczkę zasilającą.

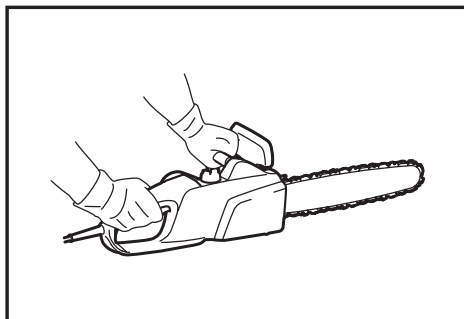
Bezpieczeństwo pracy w praktyce

1. Przed przystąpieniem do pracy należy sprawdzić, czy pilarka łańcuchowa jest sprawna i czy jej stan jest zgodny z przepisami dotyczącymi bezpieczeństwa. W szczególności sprawdzić, czy:
 - Hamulec łańcucha działa prawidłowo;
 - Hamulec bezwładnościowy działa prawidłowo;
 - Prowadnica i pokrywa koła łańcuchowego są prawidłowo zamontowane;
 - Łańcuch został naostrzony i naciągnięty zgodnie z przepisami;
 - Przewód zasilający i wtyczka zasilająca nie są przypadkiem uszkodzone;

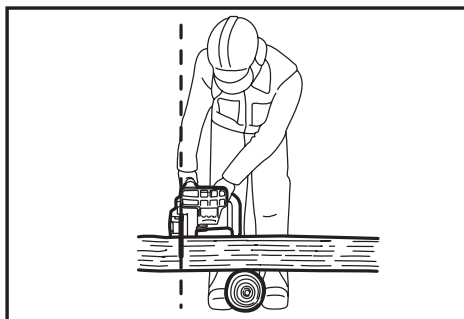
Więcej informacji w części zatytułowanej „KONTROLE”.

2. W szczególności należy zawsze skontrolować, czy przedłużacz ma odpowiedni przekrój (zobacz „DANE TECHNICZNE”). Gdy używany jest kabel nawinięty na bęben, należy go rozwinąć na całej długości. W przypadku używania pilarki na dworze należy sprawdzić, czy używany przewód przeznaczony jest do zastosowań zewnętrznych i czy ma odpowiednie parametry.
3. Trzymać kabel z dala od strefy cięcia i poprowadzić go w taki sposób, aby nie został pochwycony przez gałęzie i podobne przeszkody podczas cięcia.
4. Nie wolno używać pilarki w pobliżu łatwopalnych pyłów i gazów, ponieważ silnik wytwarza iskry i stwarza **zagrożenie wybuchem**.
5. Podczas pracy należy stać na twardym gruncie, zapewniwszy stopom dobre oparcie. Zwracać szczególną uwagę na przeszkody w miejscu pracy (np. przewód). Zachować wyjątkową ostrożność, gdy podłoże jest śliskie w wyniku panującej wilgoci, zalegającego lodu, śniegu, świeżo ściętego drewna lub kory. Nie wolno używać pilarki stojąc na drabinie lub na drzewie.
6. Zachować szczególną ostrożność podczas pracy na pochyłościach. Stacjonujące się kłody i gałęzie stanowią potencjalne zagrożenie.
7. Nie wolno wykonywać cięć powyżej barku.

8. **Pilarkę łańcuchową w trakcie włączania i podczas pracy należy trzymać oburącz.** Prawa ręka powinna spoczywać na tylnym uchwycie, a lewa na przednim. Uchwyty należy chwycić mocno kciukami. W momencie włączania pilarki jej prowadnica i łańcuch nie mogą stykać się z żadnymi przedmiotami.



9. Obszar w którym będzie wykonywane cięcie należy oczyścić z piasku, kamieni, gwoździ, drutów itp. Mogą one bowiem spowodować uszkodzenie prowadnicy i łańcucha oraz prowadzić do niebezpiecznego odrzutu.
10. Należy zachować szczególną ostrożność podczas cięcia w pobliżu plotów z siatki drucianej. Nie wolno wcinać się w plot, gdyż może dojść do odrzutu piły.
11. Nie wolno wcinać się w grunt.
12. Elementy drewniane należy ciąć pojedynczo, nigdy w wiązkach lub w stertach.
13. Unikać używania pilarki do cięcia cienkich gałęzi i korzeni, ponieważ mogą one zaplątać się w łańcuch. To z kolei grozi utratą równowagi.
14. W przypadku cięcia pociętego drewna należy korzystać z bezpiecznego podopory (koziółka).
15. Nie wolno używać pilarki łańcuchowej do usuwania kawałków drewna lub innych przedmiotów.
16. Pilarkę łańcuchową należy prowadzić w taki sposób, aby żadna część ciała nie znajdowała się na przedłużonej drodze łańcucha tnącego (patrz rysunek).

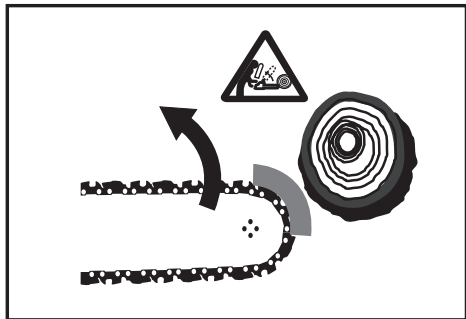


17. W przypadku zmiany miejsca należy zaciągać hamulec łańcucha pomiędzy operacjami cięcia, aby nie dopuścić do jego przypadkowego uruchomienia. Podczas przenoszenia pilarki łańcuchowej należy chwycić ją za przedni uchwyt, pamiętając, aby nie trzymać palca na przełączniku.

18. Przed udaniem się na przerwę lub pozostawieniem pilarki bez nadzoru należy wyciągnąć wtyczkę zasilającą z gniazda. Pilarkę łańcuchową należy pozostawić w takim miejscu, w którym nie będzie ona stanowiła zagrożenia.

Odrzut

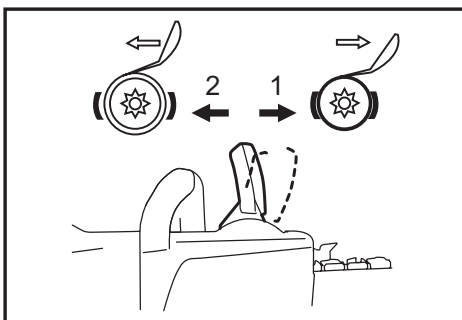
1. Podczas pracy z użyciem pilarki łańcuchowej może wystąpić niebezpieczny odrzut. Odrzut powstaje, gdy czubek prowadnicy (w szczególności górna ćwiartka) zetknie się z drewnem lub innym sztywnym obiektem. Powoduje on odchylenie pilarki łańcuchowej w kierunku operatora.



2. W celu uniknięcia odrzutu należy przestrzegać poniższych zasad:
- Nie wolno rozpoczynać cięcia końcówką prowadnicy.
 - Nie używać podczas cięcia końcówki prowadnicy. Zachować szczególną ostrożność przy wznawianiu rozpoczętych cięć.
 - Rozpocząć operację cięcia, gdy łańcuch jest w ruchu.
 - Zawsze prawidłowo ostrzyć łańcuch. W szczególności należy zwrócić uwagę, czy ogranicznik głębokości został ustawiony na odpowiednią wysokość.
 - Nie wolno przecinać kilku gałęzi na raz.
 - Podczas okrzyszowania zachować ostrożność, aby prowadnica nie stykała się z innymi gałęziami.
 - W przypadku przecinania dłużycy stać z dala od sąsiednich kłód. Zawsze obserwować końcówkę prowadnicy.
 - Używać koziółka.

Zabezpieczenia

1. Przed przystąpieniem do pracy należy zawsze sprawdzić, czy zabezpieczenia działają prawidłowo. Nie wolno używać pilarki łańcuchowej z niesprawnymi zabezpieczeniami.
- **Hamulec łańcucha:**
Pilarka łańcuchowa jest wyposażona w hamulec łańcucha, który w ułamku sekundy doprowadza do zatrzymania łańcucha. Jest on uruchamiany, gdy osłona ręki zostanie popchnięta w przód. Łańcuch tnący zatrzymuje się wówczas w ciągu 0,15 s i następuje przerwanie dopływu prądu do silnika.



1. Hamulec łańcucha zaciągnięty 2. Hamulec łańcucha zwolniony

- **Hamulec bezwładnościowy:**
Pilarka łańcuchowa jest wyposażona w hamulec bezwładnościowy, który po zwolnieniu przełącznika WŁ./WYŁ. natychmiast zatrzymuje łańcuch. Zapobiega on dalszemu ruchowi łańcucha po wyłączeniu urządzenia, co stanowi zagrożenie.
- **Osłony ręki lewej i prawej** chronią użytkownika przed zranieniem przez wyrzucane w tył kawałki drewna lub zerwany łańcuch tnący.
- **Blokada języka spustowego** zabezpiecza przed przypadkowym załączeniem pilarki łańcuchowej.
- **Chwytnak łańcucha** chroni użytkownika przed obrażeniami w razie odskoczenia lub zerwania łańcucha.

Przewożenie i przechowywanie



Gdy pilarka łańcuchowa nie będzie używana lub będzie transportowana, należy wyciągnąć wtyczkę zasilającą z gniazda i zamocować osłonę prowadnicy znajdującą się w zestawie z pilarką. Nie wolno przenosić lub transportować pilarki, gdy łańcuch tnący znajduje się w ruchu.

1. Pilarkę łańcuchową należy przenosić trzymając ją tylko za uchwyt przedni w taki sposób, aby prowadnica była skierowana w tył.
2. Pilarkę łańcuchową należy przechowywać w bezpiecznym, suchym i zamkniętym pomieszczeniu, do którego dzieci nie mają dostępu. Pilarki łańcuchowej nie wolno przechowywać na dworze.

KONSERWACJA

1. Przed przystąpieniem do przeprowadzenia regulacji lub czynności konserwacyjnych należy wyciągnąć wtyczkę zasilającą z gniazda.
2. Sprawdzać regularnie przewód zasilający pod względem ewentualnego uszkodzenia izolacji.
3. Czyścić regularnie pilarkę łańcuchową.
4. Niezwłocznie zlecić naprawę obudowy z tworzywa sztucznego.
5. Nie wolno używać pilarki, jeżeli język spustowy przełącznika nie działa prawidłowo. Należy zlecić jego naprawę.
6. W żadnym wypadku nie wolno dokonywać żadnych przeróbek pilarki łańcuchowej. Stanowią one bowiem poważne zagrożenie dla bezpieczeństwa.

7. Nie przeprowadzać czynności konserwacyjnych bądź napraw innych niż opisane w niniejszej instrukcji obsługi. Wszelkie inne czynności powinny być wykonywane przez autoryzowane centra serwisowe.
8. Należy stosować wyłącznie oryginalne części zamienne i akcesoria przeznaczone do posiadanego modelu pilarki. Stosowanie innych części zwiększa ryzyko wypadku.
9. Firma nie ponosi odpowiedzialności za wypadki lub szkody wynikające z używania niezatwierdzonych przewodnic, łańcuchów tnących lub innych części zamiennych bądź akcesoriów.

WSKAZÓWKA: U osób z problemami krążeniowymi, które są narażone na działanie zbyt intensywnych drgań, może dochodzić do uszkodzenia naczyń krwionośnych lub układu nerwowego.

Drgania mogą wywoływać poniższe objawy w palcach, rękach lub nadgarstkach: "Zасыpianie" (odrętwienie) drętwienie, mrowienie, bóle, wrażenie klucia, zmiany w zabarwieniu skóry lub zmiany na skórze.

W przypadku wystąpienia któregokolwiek z powyższych objawów, należy zgłosić się do lekarza!

Pierwsza pomoc



Nie wolno pracować samemu. Należy pracować w takiej odległości od drugiej osoby, z której można usłyszeć krzyk.

1. Apteczka pierwszej pomocy powinna być zawsze pod ręką. Braki w apteczce należy niezwłocznie uzupełnić.
2. W razie wypadku i potrzebnej pomocy, należy podać następujące informacje:
 - Gdzie zdarzył się wypadek?
 - Co się wydarzyło?
 - Ile osób jest rannych?
 - Jakiego rodzaju obrażenia odniesiono?
 - Kto powiadamia o wypadku?

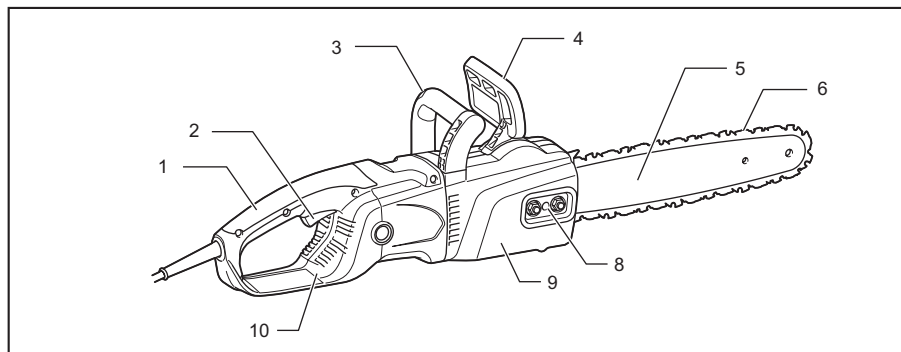
ZACHOWAĆ INSTRUKCJE.

⚠ OSTRZEŻENIE: NIE WOLNO pozwolić, aby wygoda lub rutyna (nabyta w wyniku wielokrotnego używania narzędzia) zastąpiły ściśle przestrzeganie zasad bezpieczeństwa obsługi. **NIEWŁAŚCIWE UŻYTKOWANIE** narzędzia lub niestosowanie się do zasad bezpieczeństwa podanych w niniejszej instrukcji obsługi może prowadzić do poważnych obrażeń ciała.

OPIS CZĘŚCI

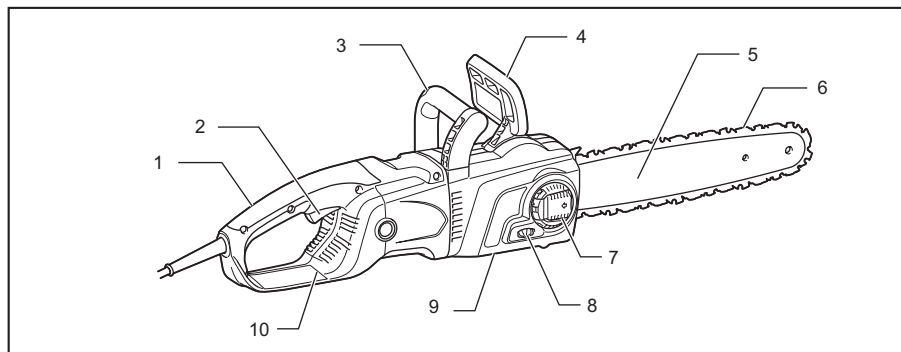
(Model z nakrętkami: pokrywa koła łańcuchowego jest zamocowana za pomocą nakrętek).

Dla modelu ES-154, ES-164, ES-174, ES-184, ES-2131, ES-2136, ES-2141, ES-2146

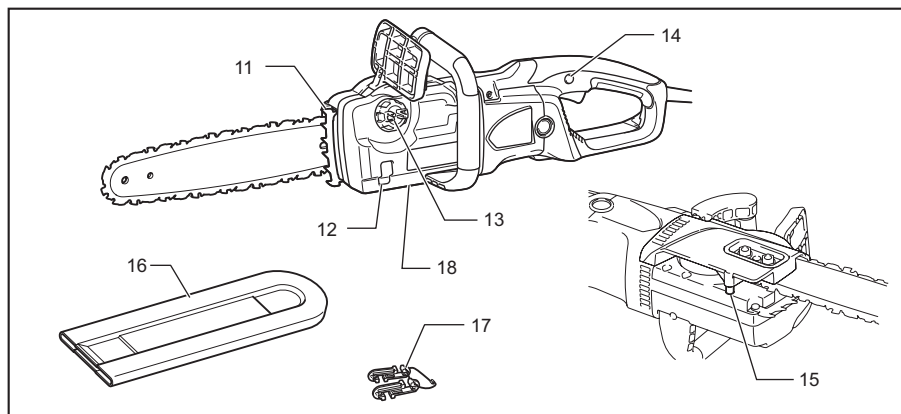


(Model z dźwignią: pokrywa koła łańcuchowego jest zamocowana za pomocą dźwigni).

Dla modelu ES-154 TLC, ES-164 TLC, ES-174 TLC, ES-184 TLC, ES-2131 TLC, ES-2136 TLC, ES-2141 TLC, ES-2146 TLC



(Dotyczy wszystkich modeli)



1	Uchwyt tylny	7	Dźwignia	13	Korek wlewu oleju
2	Spust przełącznika	8	Śruba nastawcza / pokrętko nastawcze	14	Przycisk blokady
3	Uchwyt przedni	9	Pokrywa koła łańcuchowego	15	Chwytek łańcucha
4	Oslona ręki przedniej	10	Oslona tylnej ręki	16	Oslona prowadnicy
5	Prowadnica	11	Zderzak zębaty	17	Zaczep przewodu
6	Łańcuch tnący	12	Wskaźnik poziomu oleju	18	Śruba nastawcza pompy oleju (na spodzie)

MONTAŻ

PRZESTROGA:

- Przed wykonywaniem jakichkolwiek czynności na elektronarzędziu należy upewnić się, czy jest ono wyłączone i nie podłączone do sieci.

Montaż i demontaż pokrywy koła łańcuchowego

Aby zdemontować pokrywę koła łańcuchowego, należy wykonać poniższą procedurę:

(Dotyczy modeli z nakrętkami)

► **Rys.1**

Poluzować nakrętkę.

(Dotyczy modeli z dźwignią)

► **Rys.2:** 1. Dźwignia 2. Pokrywa koła łańcuchowego

Nacisnąć i otworzyć dźwignię do oporu.

Obrócić dźwignię w lewo.

Aby zamontować pokrywę koła łańcuchowego, należy wykonać powyższą procedurę w odwrotnej kolejności.

Demontaż lub montaż łańcucha tnącego

PRZESTROGA:

- Do montażu lub demontażu łańcucha tnącego należy zawsze zakładać rękawice.

Aby zdemontować łańcuch tnący, należy wykonać następującą procedurę:

1. Poluzować pokrywę koła łańcuchowego.
2. (Dotyczy modeli z nakrętkami) Obrócić śrubę nastawczą łańcucha w lewo, aby zwolnić napięcie łańcucha tnącego.
(Dotyczy modeli z dźwignią) Obrócić pokrętło nastawcze w kierunku „-”, aby poluzować napięcie łańcucha tnącego.

► **Rys.3:** 1. Śruba regulacyjna

► **Rys.4:** 1. Pokrętło regulacyjne

3. Ściągnij pokrywę koła łańcuchowego.
4. Ściągnij łańcuch tnący z pilarki i zdemontuj prowadnicę.

Aby zamontować łańcuch tnący, należy wykonać poniższą procedurę:

5. Sprawdzić kierunek łańcucha. Symbol strzałki na łańcuchu wskazuje kierunek łańcucha.

► **Rys.5:** 1. Koło łańcuchowe

6. Zamocować jeden koniec łańcucha tnącego na górze prowadnicy, a drugi jego koniec owinąć na kole łańcuchowym.
7. Umieścić prowadnicę na pilarsce łańcuchowej.
8. Wyosiować prowadnik napięcia z otworem prowadnicy.

► **Rys.6:** 1. Prowadnica 2. Otwór

9. Przytrzymując prowadnicę, obrócić śrubę nastawczą łańcucha/ pokrętło nastawcze łańcucha, aby wyregulować napięcie łańcucha tnącego.

10. Zamocować pokrywę koła łańcuchowego w taki sposób, aby zaczepy pasowały wzdłuż otworów, a kolek pasował do odpowiedniej części na pokrywie koła łańcuchowego.

► **Rys.7:** 1. Hak 2. Otwór 3. Sworzeń

11. Zamocować pokrywę koła łańcuchowego.

► **Rys.8**

► **Rys.9:** 1. Dźwignia 2. Pokrywa koła łańcuchowego

Regulacja naciągu łańcucha

Po wielu godzinach pracy łańcuch tnący może być luźny. Od czasu do czasu przed przystąpieniem do pracy należy skontrolować naciąg łańcucha.

1. Poluzować nieznacznie pokrywę koła łańcuchowego.
2. Unieść lekko końcówkę prowadnicy.
3. Obrócić śrubę nastawczą / pokrętło nastawcze, aby wyregulować napięcie łańcucha tnącego.

► **Rys.10:** 1. Odkręcanie 2. Dokręcić 3. Śruba nastawcza łańcucha 4. Prowadnica 5. Łańcuch tnący

► **Rys.11:** 1. Odkręcanie 2. Dokręcić 3. Pokrętło regulacyjne 4. Prowadnica 5. Łańcuch tnący

4. Zamocować łańcuch tnący w ten sposób, aby dolna część łańcucha tnącego znalazła się w szybie prowadnicy (patrz zaznaczenie na rysunku).

5. Po napięciu łańcucha przytrzymać lekko prowadnicę i dokręcić pokrywę koła łańcuchowego. Sprawdzić, czy łańcuch tnący nie jest poluzowany w części dolnej.

Sprawdzić, czy łańcuch tnący jest prawidłowo dopasowany do dolnej części prowadnicy.

PRZESTROGA:

- Nie mocować łańcucha tnącego zbyt mocno. Nadmierne napięcie łańcucha tnącego może prowadzić do zerwania łańcucha tnącego, zużycia prowadnicy oraz pęknięcia pokrętła regulacyjnego.
- Za mocno poluzowany łańcuch może zeskokczyć z prowadnicy i z tego względu grozi wypadkiem.
- Procedurę montażu i demontażu łańcucha tnącego należy przeprowadzać w czystym miejscu, wolnym od trocin itp.

Podłączanie przedłużacza

PRZESTROGA:

- Należy się upewnić, że wtyczka kabla jest wyjęta z gniazda.

► **Rys.12:** 1. Zaczep przewodu 2. Kabel zasilający narzędzia 3. Przedłużacz 4. Wtyczka i gniazdko (kształt może różnić się z zależności od kraju)

Podłączając przedłużacz, należy podłączyć go do przewodu pilarki łańcuchowej, stosując klamrę do przewodów.
Zamocować klamrę do przewodów w odległości około 100-200 mm od złącza przedłużacza. W ten sposób można uniknąć przypadkowego odłączenia przewodów.

DZIAŁANIE

▲ PRZESTROGA:

- Przed rozpoczęciem pracy z narzędziem należy mocno chwycić narzędzie prawą ręką za tylny uchwyt i lewą ręką za przedni uchwyt.

Włączanie

► **Rys.13:** 1. Przycisk blokady 2. Spust przełącznika

▲ PRZESTROGA:

- Przed przystąpieniem do sprawdzenia działania języka spustowego przełącznika należy zawsze upewnić się, czy narzędzie jest wyłączone i odłączone od źródła zasilania.
- Przed podłączeniem elektronarzędzia do sieci zawsze sprawdzać czy spust włącznika działa poprawnie i wraca do pozycji "OFF" po zwolnieniu.

Urządzenie wyposażone jest w przycisk blokady załączenia, który zapobiega przypadkowemu pociągnięciu za język spustowy przełącznika. Aby uruchomić narzędzie, należy zwolnić przycisk blokady załączenia i pociągnąć za język spustowy przełącznika. Aby zatrzymać narzędzie, wystarczy zwolnić język spustowy przełącznika.

Smarowanie

▲ PRZESTROGA:

- Przed przystąpieniem do smarowania łańcucha tnącego należy zawsze upewnić się, czy urządzenie jest wyłączone i odłączone od zasilania.

► **Rys.14**

Do smarowania łańcucha tnącego i prowadnicy należy stosować ulegający biologicznemu rozkładowi olej do łańcuchów tnących z dodatkiem środka adhezyjnego. Środek adhezyjny dodawany do oleju do łańcuchów tnących zapobiega zbyt szybkiej utracie oleju w pilarkę. Nie stosować olejów mineralnych, ponieważ są one szkodliwe dla środowiska.

▲ PRZESTROGA:

- Należy uważać, aby nie doszło do kontaktu oleju ze skórą i oczami. Olej w kontakcie z oczami powoduje ich podrażnienie. Gdy olej dostanie się do oka, należy natychmiast przemyć je czystą wodą i niezwłocznie zasięgnąć porady lekarskiej.
- Nie wolno używać przepracowanego oleju. Przepracowany olej zawiera substancje rakotwórcze. Zanieczyszczenia zawarte w przepracowanym oleju powodują przyspieszone zużycie pompy oleju, prowadnicy i łańcucha. Przepracowany olej jest szkodliwy dla środowiska.
- W przypadku pierwszego napełnienia pilarki olejem do smarowania łańcucha lub uzupełniania zbiornika po jego całkowitym opróżnieniu należy nalać olej do poziomu dolnej krawędzi szyjki wlewu. W przeciwnym razie dostarczenie oleju może ulec pogorszeniu.

► **Rys.15:** 1. Korek wlewu oleju 2. Linka

Aby napełnić zbiornik oleju, należy wykonać następującą procedurę:

1. Dokładnie oczyścić miejsce wokół korka wlewu oleju, aby nie dopuścić do przedostania się zanieczyszczeń do zbiornika oleju.
2. Odkręć korek wlewu oleju i dolej olej do poziomu dolnej krawędzi szyjki wlewu.
3. Zakręć porządnie korek wlewu oleju.
4. Dokładnie wytrzyj rozlany olej.

WSKAZÓWKA:

- Gdy pilarka łańcuchowa jest uruchamiana po raz pierwszy, mogą upłynąć mniej więcej dwie minuty zanim efekt smarowania mechanizmu piły przez olej łańcuchowy będzie zauważalny. Uruchom pilarkę bez obciążenia do momentu, aż pojawi się wspomniany efekt (patrz „KONTROLE”).

KONTROLE

Przed przystąpieniem do pracy należy przeprowadzić następujące kontrole:

Kontrola naprężenia łańcucha

▲ OSTRZEŻENIE:

- Przed przystąpieniem do sprawdzenia naciągu łańcucha należy zawsze wyciągnąć wtyczkę zasilającą z gniazda i założyć rękawice ochronne.

(Dotyczy modeli z nakrętkami)

► **Rys.16:** 1. Odkręcanie 2. Dokręcić 3. Śruba nastawcza łańcucha 4. Prowadnica 5. Łańcuch tnący

(Dotyczy modeli z dźwignią)

► **Rys.17:** 1. Odkręcanie 2. Dokręcić 3. Pokrętło regulacyjne 4. Prowadnica 5. Łańcuch tnący

Sprawdzić, czy łańcuch tnący jest prawidłowo dopasowany do dolnej części prowadnicy (patrz zaznaczenie na rysunku).

Zaleca się częste sprawdzanie napięcia łańcucha, ponieważ nowe łańcuchy ulegają rozciąganiu. Nadmierne napięcie łańcucha tnącego może prowadzić do zerwania łańcucha tnącego, zużycia prowadnicy oraz pęknięcia pokrętła regulacyjnego. Za mocno poluzowany łańcuch może zeskokczyć z prowadnicy i z tego względu grozi wypadkiem. Jeżeli łańcuch jest za luźny: zapoznać się z treścią punktu „Regulacja napięcia łańcucha tnącego” i wyregulować ponownie napięcie łańcucha tnącego.

Kontrola mechanizmu przełącznika

▲ PRZESTROGA: Przed podłączeniem elektronarzędzia do sieci zawsze sprawdzać czy spust włącznika działa poprawnie i wraca do pozycji "OFF" po zwolnieniu.

Urządzenie wyposażone jest w przycisk blokady załączenia, który zapobiega przypadkowemu pociągnięciu za język spustowy przełącznika.

Aby uruchomić narzędzie, należy zwolnić przycisk blokady załączenia i pociągnąć za język spustowy przełącznika. Aby zatrzymać narzędzie, wystarczy zwolnić język spustowy przełącznika.

Nie naciskać mocno języka spustowego przełącznika bez zwolnienia przycisku blokady załączenia. Może to spowodować uszkodzenie przełącznika.

Kontrola hamulca łańcucha

WSKAZÓWKA:

- W przypadku problemów z uruchomieniem pilarki łańcuchowej, należy sprawdzić, czy hamulec łańcucha jest zwolniony. Aby zwolnić hamulec łańcucha, należy pociągnąć osłonę ręki mocno do tyłu do momentu jej załączenia.

► **Rys.18:** 1. Osłona ręki przedniej 2. Zablokuj 3. Odblokuj

► **Rys.19:** 1. Osłona ręki przedniej 2. Odblokuj 3. Zablokuj

Sprawdzić hamulec łańcucha w następujący sposób:

1. Przytrzymać oburącz pilarkę łańcuchową podczas włączania narzędzia. Prawa ręka powinna spoczywać na tylnym uchwycie, a lewa ręka na przednim uchwycie. Upewnić się, że ani prowadnica, ani łańcuch nie stykają się z żadnym przedmiotem.
2. Najpierw naciśnij przycisk odblokowujący, a następnie język spustowy. Łańcuch tnący zacznie się natychmiast poruszać.
3. Nacisnąć przednią osłonę ręki wierzchem dłoni w kierunku do przodu. Upewnić się, że łańcuch tnący zostanie od razu przełączony w stan bezruchu.

▲ PRZESTROGA:

- Jeżeli łańcuch tnący nie zatrzyma się od razu, zabrania się dalszego użytkowania pilarki. Skontaktować się z autoryzowanym centrum serwisowym firmy DOLMAR.

Kontrola hamulca bezwładnościowego

Włącz pilarkę łańcuchową.

Zwolnić całkowicie język spustowy przełącznika.

Upewnić się, że łańcuch tnący od razu zostanie przełączony w stan bezruchu.

▲ PRZESTROGA:

- Jeżeli łańcuch tnący nie zatrzyma się od razu, zabrania się dalszego użytkowania pilarki. Skontaktować się z autoryzowanym centrum serwisowym firmy DOLMAR.

Kontrola smarownicy olejowej

Przed przystąpieniem do pracy należy sprawdzić poziom oleju w zbiorniku oraz dostarczenie oleju. Poziom oleju można sprawdzić w okienku wskaźnika poziomu oleju pokazanego na rysunku.

► **Rys.20:** 1. Wskaźnik poziomu oleju

Dostarczanie oleju można sprawdzić w następujący sposób:

Uruchom pilarkę łańcuchową.

Gdy pilarka znajduje się w trybie pracy, należy ustawić ją w taki sposób, aby łańcuch tnący znajdował się w odległości około 15 cm nad pniem drzewa lub nad ziemią. Jeżeli smarowanie jest wystarczające, rozpylony olej utworzy widoczny, lekki ślad.

Obserwować kierunek wiatru i ustawić się w taki sposób, aby niepotrzebnie nie stać w strumieniu oleju.

▲ PRZESTROGA:

- Jeżeli ślad oleju nie tworzy się, nie należy używać pilarki. W przeciwnym razie okres eksploatacji łańcucha ulegnie skróceniu. Sprawdzić poziom oleju. Wyczyścić rowek rozprowadzający oraz otwór podający olej w prowadnicy (patrz „KONSERWACJA”).

Regulacja smarowania łańcucha

► **Rys.21**

Szybkość zasilania pompy oleju można wyregulować za pomocą śruby nastawczej.

PRACE WYKONYWANE PRZY UŻYCIU PILARKI ŁAŃCUCHOWEJ

▲ PRZESTROGA:

- Należy zawsze używać przedniego uchwytu i tylnego uchwytu, a podczas pracy trzymać mocno narzędzie zarówno za przedni uchwyt, jak i tylny uchwyt.
- Zawsze zabezpieczyć drewno do cięcia, w przeciwnym wypadku odcięte fragmenty mogą spowodować obrażenia ciała.

Przecinanie dłużycy na kłody

► **Rys.22:** 1. Zderzak zębaty

W przypadku cięcia dłużycy oprócz zderzak zębaty pokazany na rysunku na drewnie przeznaczonym do cięcia.

Gdy łańcuch tnący znajduje się w ruchu, zagłębić pilarkę w drewno, unosząc ją do góry za tylny uchwyt i prowadząc ją przy użyciu przedniego uchwytu. Zderzak zębaty pełni rolę osi obrotu.

Kontynuować cięcie, wywierając niewielki nacisk na przedni uchwyt i powoli zwalniając nacisk na tylną część pilarki. Przesunąć zderzak zębaty dalej w dół drewna i unieść ponownie przedni uchwyt.

W przypadku wykonywania kilku operacji cięcia, wyłóż pilarkę łańcuchową pomiędzy poszczególnymi cięciami.

▲ PRZESTROGA:

- Jeżeli do cięcia będzie wykorzystywana górna krawędź prowadnicy i łańcuch zostanie pochwycyony, wówczas pilarka może odskoczyć w kierunku operatora. Z tego względu należy ciąć przy użyciu dolnej krawędzi, aby siła odrzutu pilarki była skierowana od operatora.

► **Rys.23**

Cięcie drewna, w którym występują naprężenia, rozpoczni od strony ściskanej (A). Następnie wykonaj końcowe cięcie po stronie rozciąganej (B). Ta metoda zapobiega zakleszczaniu się prowadnicy.

► **Rys.24**

Okrzesywanie

PRZESTROGA:

- Operację okrzyszania mogą wykonywać tylko przeszkolone osoby. Występuje bowiem zagrożenie związane ze zjawiskiem odrzutu.

W przypadku okrzyszania pilarkę łańcuchową należy w miarę możliwości oprzeć o pień. Nie wolno ciąć czubkiem prowadnicy, ponieważ grozi to odskoczeniem piły. Należy zwrócić szczególną uwagę na gałęzie, w których występują naprężenia. Nie wolno ciąć od spodu gałęzi, które nie są podparte.

Podczas okrzyszania nie należy stać na ściętym pniu drzewa.

Wykonywanie zagłębień i cięcia równoległe do słojów

PRZESTROGA:

- Zagłębienia i cięcia wzdłuż słojów mogą być wykonywane przez osoby po specjalnym przeszkoleniu. Możliwość wystąpienia odrzutu grozi obrażeniami ciała.

► Rys.25

Cięcia równoległe do słojów należy wykonywać pod jak najmniejszym kątem. Podczas cięcia zachować dużą ostrożność, gdyż nie można korzystać ze zderzaka zębatego.

Ścinanie drzew

PRZESTROGA:

- Wycinkę drzew mogą prowadzić tylko przeszkolone osoby. Ta praca jest niebezpieczna.

Zasady wycinania drzew regulują miejscowe przepisy, których trzeba przestrzegać.

► Rys.26: 1. Strefa upadku drzewa

- Przed przystąpieniem do wycinki należy upewnić się, czy:
 - (1) W pobliżu znajdują się tylko osoby pracujące przy wycince;
 - (2) Żadna z osób pracujących przy wycince nie ma utrudnionej drogi ucieczki w zakresie kąta mniej więcej 45° po obu stronach osi upadku drzewa. Należy uwzględnić również dodatkowe ryzyko potknięcia się o przewody elektryczne;
 - (3) Z podstawy pnia usunięto obce przedmioty, korzenie i gałęzie;
 - (4) W odległości 2 1/2 długości drzewa w kierunku jego upadku nie ma żadnych osób lub przedmiotów.
- W odniesieniu do każdego drzewa należy wziąć pod uwagę co następuje:
 - Kierunek nachylenia;
 - Luźne lub suche gałęzie;
 - Wysokość drzewa;
 - Naturalny nawis;
 - Czy drzewo jest zmurszałe czy nie.

— Należy uwzględnić prędkość i kierunek wiatru. Nie wolno przeprowadzać wycinki drzew przy silnych porywach wiatru.

— Przyczyniając zgrubiałych korzeni: Rozpocząć od największych zgrubień. Najpierw wykonać cięcie pionowe, a następnie poziome.

► Rys.27

— Rzaz podcinający: Rzaz podcinający określa kierunek upadku drzewa i pozwala nim kierować. Wykonywany jest on po stronie, w kierunku której drzewo powinno spaść. Rzaz podcinający wykonuje się jak najbliższej ziemi. Najpierw należy wykonać nacięcie poziome na głębokość 1/5 - 1/3 średnicy pnia. Rzaz podcinający nie powinien być zbyt duży. Następnie wykonuje się nacięcie ukośne.

— Wszelkie poprawki w rzazie podcinającym należy wykonywać na całej jego szerokości.

► Rys.28

— Rzaz ścinający wykonuje się trochę powyżej podstawy rzazu podcinającego. Rzaz ścinający powinien być wykonany dokładnie w poziomie. Pomiędzy rzazem ścinającym a podcinającym należy pozostawić mniej więcej 1/10 średnicy pnia.

Włókna drzewne w nieobciętych kawałku pnia działają jak zawias. W żadnym wypadku nie wolno przecinać włókien na wylot, gdyż w przeciwnym razie drzewo upadnie w sposób niekontrolowany. Zastosuj odpowiednio wcześniej kliny w rzazie ścinającym.

— Aby rzaz ścinający pozostał otwarty, można używać tylko klinów z tworzywa sztucznego lub aluminium. Stosowanie klinów z żelaza jest zabronione.

— Należy stać z boku upadającego drzewa. Obszar z tyłu upadającego drzewa w zakresie kąta do 45° po obu stronach osi drzewa powinien być oczyszczony (zapoznaj się z rysunkiem „strefy upadku drzewa”). Należy uważać na upadające gałęzie.

— Należy zaplanować drogę ewakuacyjną i oczyścić ją z wszelkich przeszkód przed rozpoczęciem cięcia. Powinna ona obejmować obszar znajdujący się za linią spadania pokazaną na ilustracji oraz po jej przekątnej.

► Rys.29: 1. Kierunek spadania 2. Niebezpieczna strefa 3. Droga ewakuacyjna

KONSERWACJA

PRZESTROGA:

- Przed wykonywaniem kontroli i konserwacji należy się zawsze upewnić, czy elektronarzędzie jest wyłączone i nie podłączone do sieci.
- Do przeprowadzenia przeglądu bądź konserwacji należy zawsze zakładać rękawice.
- Nie wolno używać benzyny, benzenu, rozpuszczalnika, alkoholu itp. Substancje takie mogą spowodować odbarwienia, odkształcenia lub pęknięcia.

Opisane poniżej czynności konserwacyjne należy przeprowadzać w regularnych odstępach czasu. Roszczenia gwarancyjne będą uwzględniane tylko wówczas, gdy wspomniane czynności były przeprowadzane regularnie i we właściwy sposób. Użytkownik może wykonywać tylko czynności konserwacyjne opisane w niniejszej instrukcji obsługi. Wszelkie inne czynności powinny być wykonywane przez autoryzowane centra serwisowe firmy DOLMAR.

Czyszczenie pilarki łańcuchowej

Pilarkę należy czyścić regularnie czystą szmatką. W szczególności na uchwytach nie może być śladów oleju.

Kontrola obudowy z tworzywa

Zaleca się regularne przeprowadzanie kontroli wizualnej wszystkich części obudowy. W przypadku uszkodzenia jakiegokolwiek części, należy ją niezwłocznie prawidłowo naprawić, przekazując narzędzie do autoryzowanego centrum serwisowego firmy DOLMAR.

Ostrzenie łańcucha pilarki

▲ PRZESTROGA:

- Przed przystąpieniem do pracy przy pilarcie łańcuchowej należy zawsze wyciągnąć wtyczkę zasilającą z gniazda i założyć rękawice ochronne.

► Rys.30

Łańcuch wymaga naostrzenia, gdy:

- Podczas cięcia wilgotnego drewna powstają mączne trociny;
- Łańcuch wchodzi w drewno z trudem, nawet gdy wywierany jest duży nacisk;
- Krawędź rzazu jest w sposób wyraźny uszkodzona;
- Pilarka w drewnie ciągnie w lewą bądź w prawą stronę. Powodem takiego zachowania jest nierównomierne naostrzenie łańcucha tnącego lub uszkodzenie powstałe tylko z jednej strony.

Łańcuch pilarki należy często ostrzyć, zbierając za każdym razem tylko niewielką ilość materiału.

W przypadku rutynowego ostrzenia zwykle wystarczają dwa lub trzy pociągnięcia pilnikiem. Gdy łańcuch tnący był ostrzony już kilka razy, należy zlecić jego naostrzenie w autoryzowanym centrum serwisowym firmy DOLMAR.

Kryteria ostrzenia:

- Wszystkie długości zębów tnących muszą być równe. Zęby tnące o różnych długościach powodują, że łańcuch porusza się nierówno i może ulec zerwaniu.
- Nie wolno ostrzyć łańcucha po osiągnięciu minimalnej długości zęba tnącego, która wynosi 3 mm. W takim przypadku należy zamontować nowy łańcuch.
- Grubość wiórów zależy od odległości pomiędzy ogranicznikiem głębokości (okrągły czubek) a krawędzią cięcia.

- Najlepsze rezultaty cięcia uzyskuje się przy podanej poniżej odległości pomiędzy krawędzią tnącą a ogranicznikiem głębokości.

Ostrze łańcucha 492 (91PX): 0,65 mm

- Rys.31: 1. Długość tnąca 2. Odległość pomiędzy krawędzią tnącą a ogranicznikiem głębokości 3. Minimum 3 mm

▲ OSTRZEŻENIE:

- Zbyt duża odległość zwiększa ryzyko wystąpienia odrzutu.
- 30° ką ostrzenia powinien być taki sam dla wszystkich zębów tnących. Różnice w kątach powodują, że łańcuch szarpie i nierówno się przesuwa. Przyspieszają one również zużycie i prowadzą do zrywania łańcucha.
- Kąt płytki bocznej zęba tnącego zależy od głębokości penetracji pilnika okrągłego. Jeżeli wymagany pilnik jest używany właściwie, prawidłowy kąt płytki bocznej uzyskiwany jest automatycznie.
- Kąty płytek bocznych łańcuchów tnących są następujące:
Ostrze łańcucha 492 (91PX): 80°
- Rys.32: 1. Kąt płytki bocznej

Pilnik i prowadzenie pilnika

- Do ostrzenia łańcucha należy używać specjalnego pilnika okrągłego do łańcuchów tnących (akcesoria opcjonalne). Zwykle pilniki okrągłe nie nadają się do tego celu.
- Średnice pilników okrągłych dla poszczególnych łańcuchów tnących są następujące:
Ostrze łańcucha 492 (91PX): 4,0 mm
- Pilnik powinien ostrzyć tylko ząb tnący podczas ruchu w przód. Przy ruchu powrotnym pilnik należy unieść nad ząb tnący.
- Ostrzenie należy zacząć od najkrótszego zęba tnącego. Wówczas długość najkrótszego zęba tnącego staje się standardową długością dla wszystkich pozostałych zębów tnących łańcucha tnącego.

► Rys.33

- Pilnik należy prowadzić zgodnie z rysunkiem.
- Pilnik można łatwiej prowadzić za pomocą prowadnika (nie ma w zestawie). Prowadnik pilnika posiada znaczniki do prawidłowego ostrzenia kąta 30° (znaczniki powinny być równoległe do łańcucha pilarki). Ogranicza on również głębokość penetracji (do 4/5 średnicy pilnika).

► Rys.34

- Po naostrzeniu łańcucha należy sprawdzić wysokość ogranicznika głębokości za pomocą specjalnego głębokościomierza do łańcuchów (nie ma w zestawie).

► Rys.35

- Zadziory, obojętnie jak małe, należy usunąć specjalnym pilnikiem płaskim (nie ma w zestawie).
- Ponownie należy zaokrąglić przednią część ogranicznika głębokości.

Czyszczenie prowadnicy i smarowanie powrotnego koła łańcuchowego

▲ PRZESTROGA:

- Do tej czynności należy zawsze zakładać rękawice ochronne. Można bowiem pokaleczyć się o zadziory.

► Rys.36

Powierzchnie robocze należy regularnie kontrolować pod kątem ewentualnych uszkodzeń. Czyścić przy użyciu specjalnego narzędzia, usuwając w razie potrzeby zadziory.

Jeżeli pilarka łańcuchowa jest często używana, należy przynajmniej raz w tygodniu nasmarować łożysko powrotnego koła łańcuchowego. Przed nałożeniem świeżego smaru, trzeba starannie oczyścić 2-milimetrowy otwór na czubku prowadnicy, następnie we wspomniany otwór wtłoczyć niewielką ilość smaru uniwersalnego (nie ma w zestawie).

Czyszczenie rowka rozprowadzającego olej

► Rys.37: 1. Rowek rozprowadzający olej 2. Otwór podawania oleju

- Rowek rozprowadzający oraz otwór podający olej w prowadnicy należy czyścić w regularnych odstępach czasu.

Nowe łańcuchy do pilarek

Należy używać naprzemiennie dwóch lub trzech łańcuchów, aby łańcuch pilarki, koło łańcuchowe oraz powierzchnie robocze prowadnicy zużywały się w sposób równomierny.

Przy wymianie łańcucha należy obrócić prowadnicę, aby zużywanie się rowka prowadnicy było równomierne.

▲ PRZESTROGA:

- Należy używać wyłącznie łańcuchów i prowadnic zatwierdzonych dla omawianego modelu pilarki (patrz „DANE TECHNICZNE”).

► Rys.38: 1. Koło łańcuchowe

Przed zamontowaniem nowego łańcucha tnącego należy sprawdzić stan koła łańcuchowego.

▲ PRZESTROGA:

- Zużyte koło łańcuchowe powoduje uszkodzenie nowego łańcucha tnącego. W takim przypadku należy wymienić koło łańcuchowe.

Podczas wymiany koła łańcuchowego należy zawsze zamontować nowy pierścień zabezpieczający.

Konserwacja łańcucha i hamulców bezwładnościowych

Układy hamulcowe stanowią bardzo istotne zabezpieczenie. Podobnie jak każdy inny podzespoł pilarki łańcuchowej, ulegają one w pewnym stopniu zużyciu. Należy je regularnie kontrolować w autoryzowanym centrum serwisowym firmy DOLMAR. Ta kontrola jest wykonywana dla własnego bezpieczeństwa.

Wymiana szczotek węglowych

► Rys.39: 1. Znak ograniczenia

Systematycznie wyjmować i sprawdzać szczotki węglowe. Wymieniać je, gdy ich zużycie sięga znaku granicznego. Szczotki powinny być czyste i łatwo wchodzić w uchwyt. Należy wymieniać obydwie szczotki jednocześnie. Stosować wyłącznie identyczne szczotki węglowe.

► Rys.40: 1. Pokrywka uchwytu szczotki 2. Śrubokręt

Do wyjęcia pokrywek uchwytów szczotek używać śrubokrętu. Wyjąć zużyte szczotki węglowe, włożyć nowe i zabezpieczyć pokrywkami uchwytów szczotek.

Po wymianie szczotek należy włączyć narzędzie i dopasować szczotki, uruchamiając narzędzie na około 10 minut bez obciążenia.

Przechowywanie narzędzia

Olej, ulegający biologicznemu rozkładowi, można przechowywać tylko przez ograniczony okres czasu. Po upływie dwóch lat od daty produkcji oleje biologiczne zaczynają wykazywać zwiększone przyleganie i powodują uszkodzenie pompy olejowej oraz innych podzespołów układu smarowania.

- Przed okresem, w którym pilarka łańcuchowa nie będzie eksploatowana przez dłuższy czas, należy opróżnić zbiornik oleju i napełnić go niewielką ilością oleju silnikowego (SAE 30).
- Następnie na krótko uruchomić pilarkę, aby wypłukać ze zbiornika, układu smarowania oraz mechanizmu pily wszelkie pozostałości oleju biologicznego.

WSKAZÓWKA:

- W przypadku gdy pilarka łańcuchowa nie jest eksploatowana przez jakiś czas, po pewnym czasie mogą wyciekać niewielkie ilości oleju do łańcuchów. Jest to normalne zjawisko i nie świadczy o usterce.

Pilarkę łańcuchową należy przechowywać na odpowiedniej powierzchni.

Przed ponownym przystąpieniem do eksploatacji pilarki łańcuchowej należy napełnić ją olejem do pilarek łańcuchowych BIOTOP.

W celu zachowania odpowiedniego poziomu BEZPIECZEŃSTWA i NIEZAWODNOŚCI wyrobu, wszelkie naprawy i różnego rodzaju prace konserwacyjne lub regulacje powinny być przeprowadzane przez autoryzowany punkt serwisowy narzędzi DOLMAR zawsze z użyciem oryginalnych części zamiennych DOLMAR.

ROZWIĄZYWANIE PROBLEMÓW

Przed oddaniem narzędzia do naprawy należy w pierwszej kolejności samodzielnie wykonać przegląd. W razie napotkania problemu, który nie został wyjaśniony w instrukcji, nie należy próbować demontować narzędzia we własnym zakresie. W takiej sytuacji należy skontaktować się z autoryzowanym centrum serwisowym firmy Dolmar.

Status usterki	Możliwa przyczyna	Rozwiązanie
Piłarka łańcuchowa nie uruchamia się.	Brak zasilania.	Podłączyć zasilanie. Sprawdzić zasilanie.
	Uszkodzony przewód.	Zaprzestać niezwłocznie użytkowania narzędzia i skontaktować się z lokalnym autoryzowanym centrum serwisowym.
	Nieprawidłowe działanie narzędzia.	Zaprzestać niezwłocznie użytkowania narzędzia i skontaktować się z lokalnym autoryzowanym centrum serwisowym.
Łańcuch nie porusza się.	Zaciągnięty hamulec łańcucha.	Zwolnić hamulec łańcucha.
Niewystarczająca moc.	Zużyta szcotka węglowa.	Zlecić naprawę w lokalnym autoryzowanym punkcie serwisowym.
Brak oleju na łańcuchu.	Pusty zbiornik oleju.	Napełnić zbiornik oleju.
	Zanieczyszczony rowek rozprowadzający olej.	Oczyścić rowek.
	Nieprawidłowo ustawiona śruba nastawcza pompy oleju.	Ustawić szybkość zasilania pompy oleju.
Łańcuch nie zatrzymuje się, nawet po zaciągnięciu hamulca łańcucha.	Zużyta taśma hamulca.	Zaprzestać niezwłocznie użytkowania narzędzia i skontaktować się z lokalnym autoryzowanym centrum serwisowym.
Nietypowe drgania narzędzia.	Poluzować prowadnicę lub łańcuch tnący.	Wyregulować prowadnicę i napięcie łańcucha tnącego.
	Nieprawidłowe działanie narzędzia.	Zaprzestać niezwłocznie użytkowania narzędzia i skontaktować się z lokalnym autoryzowanym centrum serwisowym.

AKCESORIA OPCJONALNE

PRZESTROGA:

- Z opisanych w niniejszym podręczniku narzędziem marki DOLMAR współpracują zalecane poniżej akcesoria i przystawki. Stosowanie innych akcesoriów lub przystawek grozi obrażeniami ciała. Akcesoria lub przystawki należy wykorzystywać wyłącznie do celów, do których zostały przeznaczone.

Więcej szczegółów na temat podanego wyposażenia dodatkowego można uzyskać w miejscowym punkcie serwisowym Dolmar.

- Łańcuch tnący
- Osłona prowadnicy
- Prowadnica
- Olej do łańcuchów tnących

WSKAZÓWKA:

- Niektóre pozycje znajdujące się na liście mogą być dołączone do pakietu narzędziowego jako akcesoria standardowe. Mogą to być różne pozycje, w zależności od kraju.

SPECIFICAȚII

Model	ES-154	ES-154 TLC	ES-164	ES-164 TLC	ES-174	ES-174 TLC	ES-184	ES-184 TLC			
	ES-2131	ES-2131 TLC	ES-2136	ES-2136 TLC	ES-2141	ES-2141 TLC	ES-2146	ES-2146 TLC			
Turație maximă lanț	14,5 m/s (870 m/min)										
Lamă de ghidare standard	Lungime lamă		300 mm		350 mm		400 mm		450 mm		
	Lungime de tăiere		260 mm		320 mm		355 mm		415 mm		
	Tip bară de ghidare		Bară frontală de roată dințată								
Lanț de ferăstrău standard	Tip		492 (91PX)								
	Pas		3/8"								
	Nr. organelor de transmisie		46		52		56		62		
Lungime recomandată pentru lama de ghidare		300 - 450 mm									
Lungime totală (fără lama de ghidare)		505 mm									
Greutate netă		5,4 kg		5,5 kg		5,5 kg		5,6 kg		5,7 kg	
Cablul de extensie (opțional)		DIN 57282/HO 7RN -F L=30 m max., 3x1,5 mm ²									

- Datorită programului nostru continuu de cercetare și dezvoltare, caracteristicile pot fi modificate fără o notificare prealabilă.
- Specificațiile pot varia în funcție de țară.
- Greutatea este specificată conform procedurii EPTA-01/2003

Simbol

Mai jos sunt prezentate simbolurile de pe echipament. Asigurați-vă că înțelegeți sensul acestora înainte de utilizare.

	Citiți manualul de instrucțiuni și respectați avertismentele și instrucțiunile privind siguranța.
	Purtați ochelari de protecție.
	Purtați mijloace de protecție a auzului.
	IZOLAȚIE DUBLĂ
	Atenție: este necesară o grijă și atenție deosebită!
	Atenție: deconectați imediat ștecherul de alimentare în cazul deteriorării cablului!
	Atenție: recul!
	Protejați mașina împotriva ploii și umidității!
	Purtați o cască de protecție, ochelari de protecție și mijloace de protecție a auzului!
	Purtați mănuși de protecție!
	Deconectați ștecherul de alimentare!

	Primul ajutor
	Lungimea de tăiere maximă admisibilă
	Direcția de deplasare a lanțului
	Ulei de lanț
	Frână de lanț eliberată
	Frână de lanț acționată
	Interzis!
	Doar pentru țările UE Nu aruncați aparatele electrice în gunoii menajeri! În conformitate cu Directiva europeană privind deșeurile de echipamente electrice și electronice și implementarea sa conform legislației naționale, echipamentele electrice uzate trebuie colectate separat și reciclate corespunzător în vederea protecției mediului.

Destinația de utilizare

Mașina este destinată tăierii cherestelei și buștenilor.

Sursă de alimentare

Unealta trebuie conectată doar la o sursă de alimentare cu aceeași tensiune precum cea indicată pe plăcuța indicatoare a caracteristicilor tehnice și poate fi operată doar de la o sursă de curent alternativ cu o singură fază. Acestea au o izolație dublă și, drept urmare, pot fi utilizate de la prize fără împământare.

Emisie de zgomot

Nivelul de zgomot normal ponderat A determinat în conformitate cu EN60745:

Nivel de presiune acustică (L_{pA}): 90,8 dB (A)

Nivel de putere acustică (L_{WA}): 101,8 dB (A)

Marjă de eroare (K): 2,5 dB (A)

Purtați mijloace de protecție a auzului

Vibrații

Valoarea totală a vibrațiilor (suma vectorilor tri-axiali) determinată conform EN60745:

Mod de funcționare: tăierea lemnului

Emisie de vibrații (a_h): 5,2 m/s²

Marjă de eroare (K): 1,5 m/s²

NOTĂ: Nivelul de vibrații declarat a fost măsurat în conformitate cu metoda de test standard și poate fi utilizat pentru compararea unei unelte cu alta.

NOTĂ: Nivelul de vibrații declarat poate fi, de asemenea, utilizat într-o evaluare preliminară a expunerii.

AVERTIZARE: Nivelul de vibrații în timpul utilizării reale a uneltei electrice poate diferi de valoarea nivelului declarat, în funcție de modul în care unealta este utilizată.

AVERTIZARE: Asigurați-vă că identificați măsurile de siguranță pentru a proteja operatorul, acestea fiind bazate pe o estimare a expunerii în condiții reale de utilizare (luând în considerare toate părțile ciclului de operare, precum timpii în care unealta a fost oprită, sau a funcționat în gol, pe lângă timpul de declanșare).

Declarație de conformitate CE

Numai pentru țările europene

Declarația de conformitate CE este inclusă ca Anexa A în acest manual de instrucțiuni.

Avertismente generale de siguranță pentru unelte electrice

AVERTIZARE Citiți toate avertizările de siguranță și toate instrucțiunile. Nerespectarea acestor avertizări și instrucțiuni poate avea ca rezultat electrocutarea, incendiul și/sau rănirea gravă.

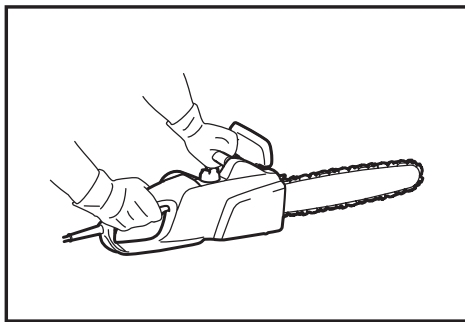
Păstrați toate avertismentele și instrucțiunile pentru consultări ulterioare.

Avertismente privind siguranța pentru ferăstrău cu lanț

- Țineți toate părțile corpului la distanță de ferăstrăul cu lanț în timpul funcționării lanțului. Înainte de a porni lanțul ferăstrăului asigurați-vă că acesta nu atinge nimic.** Un moment de neatenție în timp ce utilizați ferăstrăul cu lanț poate produce prinderea hainelor sau corpului dumneavoastră cu lanțul ferăstrăului.
- Țineți întotdeauna ferăstrăul cu lanț cu mâna dreaptă pe mânerul din spate și cu mâna stângă pe mânerul din față.** Ținerea ferăstrăului cu o configurație inversată a mâinilor crește riscul de rănire corporală și nu trebuie făcută niciodată.
- Țineți unealta electrică doar de suprafețele de prindere izolate, deoarece lanțul de ferăstrău poate intra în contact cu fire ascunse sau cu propriul cablu.** Lanțurile de ferăstrău care intră în contact cu un fir sub tensiune vor pune sub tensiune și componentele metalice expuse ale mașinii electrice, existând pericolul ca operatorul să se electrocuteze.
- Purtați viziera și mijloace de protecție a auzului. Suplimentar este recomandat echipamentul de protecție pentru cap, mâini, labele picioarelor și picioare.** Îmbrăcămintea adecvată de protecție va reduce riscul rănirii personale datorită resturilor proiectate sau contactului accidental cu lanțul ferăstrăului.
- Nu utilizați ferăstrăul cu lanț în copac.** Utilizarea ferăstrăului cu lanț sub formă de copac poate produce vătămarea corporală.
- Păstrați întotdeauna un sprijin adecvat pentru picioare și utilizați ferăstrăul cu lanț doar stând pe o suprafață fixă, sigură și orizontală.** Suprafețele alunecoase sau instabile cum ar fi scările pot produce pierderea echilibrului sau a controlului ferăstrăului cu lanț.
- Când tăiați o ramură care este tensionată aveți grijă la destinderea acesteia.** Atunci când este eliminată tensiunea din fibrele lemnului, ramura arcută poate lovi operatorul și/sau produce aruncarea ferăstrăului cu lanț în afara controlului.
- Fiți extrem de precauți atunci când tăiați tufișuri sau pomi tineri.** Materialul suplu poate prinde lanțul ferăstrăului și poate fi biciuit către dumneavoastră sau vă poate trage și dezechilibra.
- Transportați ferăstrăul cu lanț ținând-ul de mânerul din față, oprit și la depărtare de corpul dumneavoastră. Întotdeauna montați capacul barei de ghidaj când transportați sau depozitați ferăstrăul cu lanț.** Manipularea adecvată a ferăstrăului cu lanț va reduce probabilitatea contactului accidental cu lanțul în mișcare al ferăstrăului.
- Respectați instrucțiunile pentru lubrifiere, tensionarea lanțului și schimbarea accesoriilor.** Lanțul tensionat sau lubrifiat necorespunzător se poate rupe sau poate crește posibilitatea producerii unui recul.
- Țineți mânerul uscat, curat și fără ulei sau vaselină.** Mânerul umed, uleios sau vaselinat poate produce pierderea controlului.

12. **Tăiați numai lemn. Nu folosiți ferăstrăul cu lanț în alte scopuri decât cele pentru care a fost destinat. De exemplu: nu utilizați ferăstrăul cu lanț pentru tăierea plasticului, zidăriei sau materialelor de construcție care nu sunt lemnoase.** Utilizarea ferăstrăului pentru operațiuni diferite față de cele pentru care a fost destinat poate avea ca rezultat producerea unei situații periculoase.
13. **Cauzele și modul de prevenire al reculului:** Reculul poate apărea când nasul sau vârful barei de ghidare atinge un obiect sau când lemnul se strânge și prinde lanțul ferăstrăului în tăietură. În unele cazuri, contactul vârfului poate produce o reacție inversă neașteptată, smucind bara de ghidare în sus și înapoi, pe direcția operatorului. Strangularea lanțului ferăstrăului de-a lungul părții superioare a barei de ghidare poate împinge brusc bara de ghidare înapoi spre operator. Oricare dintre aceste reacții poate produce pierderea controlului asupra ferăstrăului, ceea ce poate produce vătămarea corporală gravă. Nu vă bazați exclusiv pe dispozitivele de siguranță încorporate în ferăstrău. Ca utilizator de ferăstrău cu lanț, trebuie să parcurgeți câteva etape pentru a menține activitatea de tăiere fără accidente sau răni. Reculul este rezultatul utilizării incorecte a mașinii și/sau al procedeeelor sau condițiilor de lucru necorespunzătoare, putând fi evitat prin adoptarea unor măsuri de precauție adecvate prezentate în continuare:

- **Mențineți o prindere fermă, cu degetul mare și degetele înconjurând mânerul ferăstrăului cu lanț, cu ambele mâini pe fierăstrău și poziționați-vă corpul și brațul astfel încât să vă permită să rezistați la forțele de recul.** Forțele de recul pot fi controlate de către operator, dacă sunt luate măsurile de precauție adecvate. Nu scăpați fierăstrăul cu lanț.



- **Nu depășiți nivelul umărului și nu efectuați tăieri deasupra înălțimii umărului.** Acest lucru ajută la prevenirea contactului accidental cu vârful și permite un control mai bun al lanțului de ferăstrău în situații neprevăzute.
- **Utilizați doar lamele și lanțurile de schimb specificate de producător.** Lamele și lanțurile de schimb incorecte pot cauza ruperea lanțului și/sau recul.

- **Pentru ascuțirea și întreținerea ferăstrăului cu lanț, respectați instrucțiunile producătorului.** Scăderea înălțimii indicatorului de adâncime poate conduce la recul mărit.

NORME SUPPLEMENTARE DE SECURITATE

1. Citiți manualul de instrucțiuni pentru a vă familiariza cu operarea ferăstrăului cu lanț.
2. Înainte de a folosi pentru prima dată ferăstrăul cu lanț, aveți grijă să beneficiați de un instructaj cu privire la operarea acestuia. Dacă acest lucru nu este posibil, exersați cel puțin tăierea unor bușteni rotunzi pe o capră înainte de a începe lucrul.
3. Ferăstrăul cu lanț nu trebuie folosit de copii sau adolescenți cu vârstă mai mică de 18 ani. Adolescenții cu vârstă mai mare de 16 ani pot fi excepția de la această restricție în cazul în care beneficiază de instructaj sub supravegherea unui expert.
4. Lucrul cu ferăstrăul cu lanț necesită un nivel înalt de concentrare. Nu lucrați cu ferăstrăul dacă nu vă simțiți apt și sănătos. Executați fiecare lucrare calm și cu atenție.
5. Nu lucrați niciodată sub influența alcoolului, drogurilor sau medicamentelor.

Folosirea corectă

1. Ferăstrăul cu lanț este destinat numai pentru tăierea lemnului. Nu-l folosiți, de exemplu, pentru tăierea plasticului sau betonului poros.
2. Folosiți ferăstrăul cu lanț numai pentru operațiile descrise în acest manual de instrucțiuni. **Nu folosiți ferăstrăul, de exemplu, pentru tăierea gardurilor vii sau în alte scopuri similare.**
3. Ferăstrăul cu lanț nu trebuie utilizat pentru lucrări forestiere, adică pentru tăierea și debitarea arborilor în picioare. Cablul ferăstrăului cu lanț nu conferă utilizatorului mobilitatea și siguranța necesare pentru astfel de lucrări.
4. Ferăstrăul cu lanț nu este destinat pentru uz comercial.
5. Nu suprasolicitați ferăstrăul cu lanț.

Echipment personal de protecție

1. Îmbrăcămintea trebuie să fie strânsă pe corp, însă nu trebuie să incomodeze mișcările.
2. Folosiți următorul echipament de protecție în timpul lucrului:
 - O cască de protecție omologată, dacă există risc de cădere a crengilor sau alte riscuri similare;
 - O mască de protecție sau ochelari de protecție;
 - Mijloace de protecție a auzului adecvate (căști antifonice, dopuri pentru urechi personalizate sau modelabile). Analizor de octavă la cerere.
 - Mănuși de protecție din piele groasă;
 - Pantaloni lungi fabricați din țesătură rezistentă;
 - Salopetă de protecție din țesătură rezistentă la tăiere;

- Încălțăminte de protecție sau cizme cu tălpi antiderapante, bombou de oțel și căptușeală din țesătură rezistentă la tăiere;
- O mască respiratoare, când executați lucrări cu degajare de praf (de exemplu, la tăierea lemnului uscat).

Protecție împotriva electrocutării



Ferăstrăul cu lanț nu trebuie utilizat pe vreme ploioasă sau în mediu umed, deoarece motorul electric nu este etanșat la apă.

1. Conectați ferăstrăul doar la prize din circuite electrice testate. Verificați dacă tensiunea sistemului corespunde celei de pe plăcuța cu caracteristici. Asigurați-vă că este montată o siguranță de linie de 16 A. Ferăstraiele utilizate în aer liber trebuie conectate la un întrerupător operat cu curent rezidual cu un curent de lucru de maxim 30 mA.



În cazul în care cablul de alimentare este deteriorat, deconectați imediat mașina de la rețea.

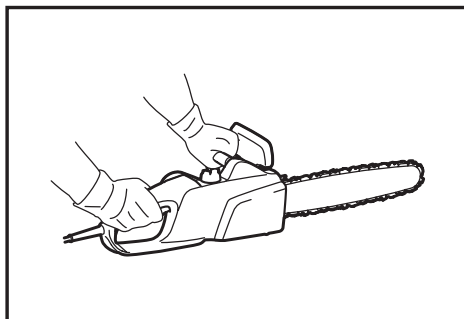
Tehnici de lucru sigure

1. Înainte de începerea lucrului, verificați dacă ferăstrăul cu lanț funcționează corespunzător și dacă starea acestuia corespunde normelor de tehnică a securității. Verificați în special dacă:
 - Frâna de lanț funcționează corect;
 - Frâna de siguranță funcționează corect;
 - Lama și apărătoarea roții de lanț sunt instalate corect;
 - Lanțul a fost ascuțit și tensionat în conformitate cu reglementările;
 - Cablul și conectorul de alimentare sunt intacte;

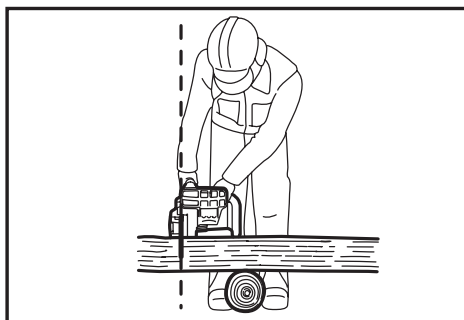
Consultați paragraful "VERIFICĂRI".

2. Asigurați-vă întotdeauna, în mod special, asupra faptului că prelungitorul are o secțiune corespunzătoare a conductorului (vezi "SPECIFICAȚII"). Când folosiți un tambur de cablu, desfășurați complet cablul de pe tambur. Când folosiți ferăstrăul în aer liber, asigurați-vă că folosiți un cablu destinat pentru utilizare în aer liber și cu caracteristicile corespunzătoare.
3. Țineți cordonul departe de zona de tăiere și amplasați cordonul astfel încât acesta să nu se încurce în crengi sau ceva asemănător în timpul tăierii.
4. Nu folosiți ferăstrăul cu lanț în apropierea pulberilor sau gazelor inflamabile, deoarece motorul produce scântei și prezintă **risc de explozie**.
5. Lucrați numai pe un teren stabil și cu o poziție stabilă a picioarelor. Acordați o atenție deosebită obstacolelor (de exemplu, cablul) din perimetrul de lucru. Aveți deosebită grijă în porțiunile în care umiditatea, gheața, zăpada, lemnul proaspăt tăiat sau scoarța de copac pot alcătui suprafețe alunecoase. Nu vă urcați pe scări sau copaci atunci când folosiți ferăstrăul.
6. Aveți deosebită grijă atunci când lucrați pe un teren înclinat; rostogolirea trunchiurilor și crengilor prezintă un potențial pericol.
7. Nu tăiați niciodată deasupra nivelului umerilor.

8. **Țineți ferăstrăul cu lanț cu ambele mâini în timpul pornirii și utilizării acestuia.** Apucați mânerul posterior cu mâna dreaptă și mânerul frontal cu mâna stângă. Țineți mânerul ferm cu degetele mari. Lama și lanțul nu trebuie să fie în contact cu niciun obiect în momentul pornirii ferăstrăului.



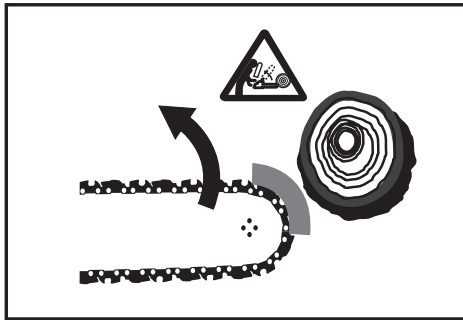
9. Curățați porțiunea de tăiat de obiecte străine, cum ar fi nisip, pietre, cuie, cabluri etc. Obiectele străine vor deteriora lama și lanțul, putând provoca reculuri periculoase.
10. Aveți deosebită grijă atunci când tăiați în vecinătatea gardurilor de sârmă. Nu tăiați în gard, deoarece ferăstrăul poate recula.
11. Nu tăiați în pământ.
12. Tăiați bucățile de lemn individual, și nu în legături sau în stive.
13. Evitați utilizarea ferăstrăului pentru tăierea ramurilor subțiri și a rădăcinilor, deoarece acestea se încurcă în ferăstrăul cu lanț. Pierderea echilibrului este periculoasă.
14. Folosiți un suport sigur (capră) atunci când tăiați bușteni.
15. Nu folosiți ferăstrăul cu lanț pentru a ridica sau mătura bucăți de lemn sau alte obiecte.
16. Ghidați ferăstrăul cu lanț astfel încât nicio parte a corpului dumneavoastră să nu se afle în calea ferăstrăului cu lanț (vezi figura).



17. Când vă deplasați între două operații de tăiere, acționați frâna de lanț pentru a preveni acționarea accidentală a lanțului. Țineți ferăstrăul cu lanț de mânerul frontal în timpul transportului și nu țineți degetul pe comutator.
18. Deconectați ferăstrăul de la rețea atunci când faceți pauze sau când lăsați ferăstrăul cu lanț nesupravegheat. Lăsați ferăstrăul cu lanț într-un loc în care nu prezintă pericol.

Recul

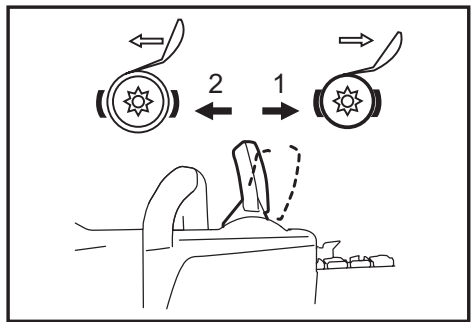
1. În timpul lucrului cu ferăstrăul cu lanț pot apărea reculuri periculoase. Reculul apare atunci când vârful lamei (în special partea superioară) intră în contact cu lemnul sau un alt obiect solid. Aceasta are ca efect devierea ferăstrăului cu lanț în direcția utilizatorului.



2. Pentru a evita reculul, respectați următoarele indicații:
 - Nu începeți niciodată tăierea cu vârful lamei.
 - Nu folosiți niciodată vârful lamei pentru tăiere. Aveți deosebită grijă atunci când reluați tăierile întrerupte.
 - Începeți tăierea cu lanțul în funcțiune.
 - Ascultați întotdeauna corect lanțul. În special, setați calibrul de adâncime la înălțimea corectă.
 - Nu tăiați niciodată mai multe crengi concomitent.
 - Când debitați, aveți grijă să nu permiteți lamei să intre în contact cu alte crengi.
 - Când retezați, nu vă apropiați de trunchiurile adiacente. Supravegheați permanent vârful lamei.
 - Folosiți o capră.

Echipamente de siguranță

1. Asigurați-vă întotdeauna că echipamentele de siguranță sunt funcționale înainte de a începe lucrul. Nu folosiți ferăstrăul cu lanț dacă echipamentele de siguranță nu funcționează corespunzător.
- **Frâna de lanț:**
Ferăstrăul cu lanț este echipat cu o frână de lanț care oprește lanțul de ferăstrău într-o fracțiune de secundă. Aceasta este activată atunci când apărătoarea mâinii este împinsă înainte. Lanțul de ferăstrău se oprește în acest caz într-un interval de 0,15 s, iar alimentarea electrică a motorului este întreruptă.



1. Frână de lanț acționată 2. Frână de lanț eliberată

— Frâna de siguranță:

- Ferăstrăul cu lanț este echipat cu o frână de siguranță care oprește imediat lanțul de ferăstrău în momentul eliberării comutatorului de PORNIRE/OPRIRE. Aceasta nu permite funcționarea periculoasă a lanțului de ferăstrău când ferăstrăul este oprit.
- Apărătoarele pentru mâini din față și din spate protejează utilizatorul împotriva vătămării din cauza bucăților de lemn care pot fi aruncate înapoi sau a unui lanț de ferăstrău rupt.
 - **Butonul de deblocare a declanșatorului** previne pornirea accidentală a ferăstrăului cu lanț.
 - **Opritorul de lanț** protejează utilizatorul împotriva vătămărilor în cazul desprinderii sau ruperii lanțului.

Transport și depozitare



Când ferăstrăul cu lanț nu este utilizat sau în timpul transportului, deconectați ștecherul de la rețea și instalați capacul barei de ghidare livrat cu ferăstrăul. Nu transportați niciodată ferăstrăul cu lanțul de ferăstrău în funcțiune.

1. Transportați ferăstrăul cu lanț numai de mânerul din față, cu lama îndreptată înapoi.
2. Păstrați ferăstrăul cu lanț într-un spațiu sigur, uscat și încuiat la care nu au acces copiii. Nu depozitați ferăstrăul cu lanț în aer liber.

ÎNȚREȚINERE

1. Deconectați ștecherul de la priză înainte de a efectua lucrări de reglare sau întreținere.
2. Verificați în mod regulat cablul de alimentare cu privire la deteriorări ale izolației.
3. Curățați ferăstrăul cu lanț în mod regulat.
4. Remediați corespunzător și neîntârziat orice deteriorări ale carcasei de plastic.
5. Nu utilizați ferăstrăul dacă butonul declanșator nu funcționează corect. Asigurați repararea corespunzătoare a acestuia.
6. Ferăstrăul cu lanț nu trebuie modificat în nici un caz. Vă expuneți la riscuri.
7. Nu efectuați alte lucrări de întreținere sau reparație decât cele descrise în acest manual de instrucțiuni. Orice alte lucrări trebuie executate de centre de service autorizate.

8. Folosiți numai piese de schimb și accesorii originale destinate modelului dumneavoastră de ferăstrău. Folosirea altor piese sporește riscul de accident.
9. Nu ne asumăm nicio responsabilitate pentru accidentele sau pagubele provocate în cazul utilizării unor lame, lanțuri de ferăstrău sau altor piese de schimb și accesorii neaprobate.

Primul ajutor



Nu lucrați singur. Lucrați întotdeauna la o distanță de la care puteți fi auzit de o altă persoană.

1. Păstrați permanent la îndemână o trusă de prim ajutor. Înlocuiți imediat articolele folosite din aceasta.
2. Dacă aveți nevoie de asistență în caz de accident, comunicați următoarele:
 - Unde s-a produs accidentul?
 - Ce s-a întâmplat?
 - Câte persoane sunt rănite?
 - Ce fel de răni prezintă?
 - Cine raportează accidentul?

NOTĂ: Persoanele cu probleme circulatorii care sunt expuse la vibrații excesive pot suferi leziuni ale vaselor sanguine sau ale sistemului nervos.

Vibrațiile pot provoca următoarele simptome la nivelul degetelor, mâinilor sau articulațiilor mâinilor: "amorțeală" (insensibilitate), furnicături, durere, înțepături, modificarea culorii sau texturii pielii.

Dacă apare oricare dintre aceste simptome, consultați un medic!

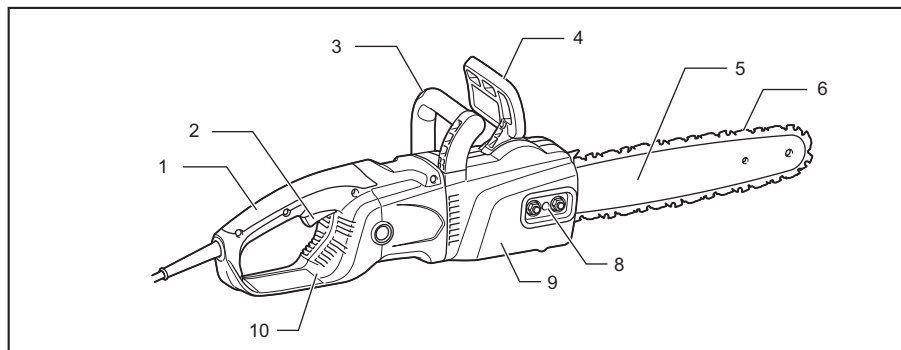
PĂSTRAȚI ACESTE INSTRUCȚIUNI.

⚠️AVERTIZARE: NU permiteți comodității și familiarizării cu produsul (obținute prin utilizare repetată) să înlocuiască respectarea strictă a normelor de securitate pentru acest produs. FOLOSIREA INCORECTĂ sau nerespectarea normelor de securitate din acest manual de instrucțiuni poate provoca vătămări corporale grave.

DENUMIREA PIESELOR

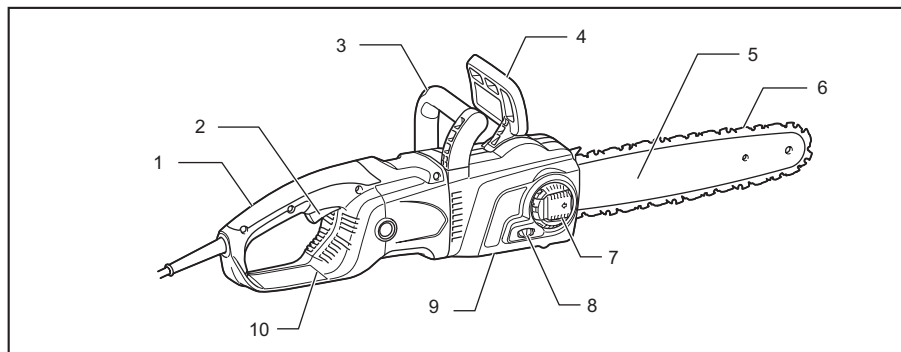
(Model cu piuliță: apărătoarea roții de lanț este strânsă cu piulițe).

Pentru modelul ES-154, ES-164, ES-174, ES-184, ES-2131, ES-2136, ES-2141, ES-2146

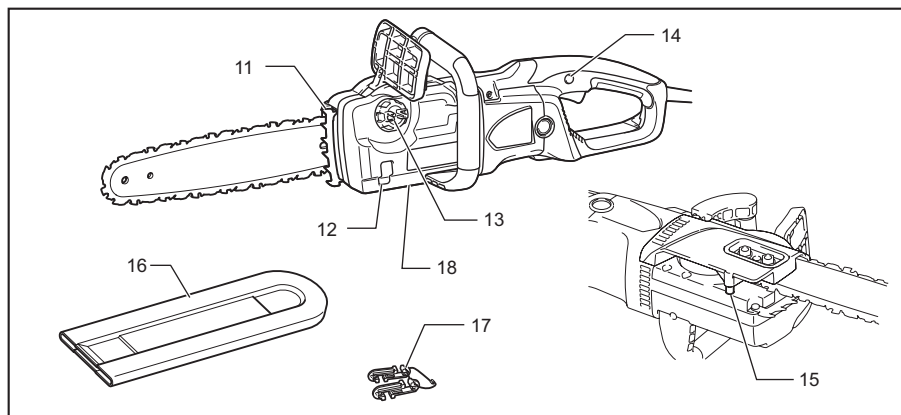


(Model cu pârghie: apărătoarea roții de lanț este strânsă cu o pârghie).

Pentru modelul ES-154 TLC, ES-164 TLC, ES-174 TLC, ES-184 TLC, ES-2131 TLC, ES-2136 TLC, ES-2141 TLC, ES-2146 TLC



(Pentru toate modelele)



1	Mâner posterior	7	Pârghie	13	Capacul bușonului de umplere cu ulei
2	Trăgaciul întrerupătorului	8	Șurub de reglare/Rondelă de reglare	14	Buton de deblocare
3	Mâner frontal	9	Capacul roții de lanț	15	Opritor de lanț
4	Apărătoare anterioară pentru mână	10	Apărătoare posterioară pentru mână	16	Capac lamă de ghidare
5	Lamă de ghidare	11	Bară de protecție dințată	17	Cârlig cablu
6	Lanț de ferăstrău	12	Vizor pentru controlul nivelului de ulei	18	Șurub de reglare pentru pompa de ulei (în partea de jos)

MONTARE

⚠️ ATENȚIE:

- Asigurați-vă că ați oprit mașina și că ați deconectat-o de la rețea înainte de a efectua vreo intervenție asupra mașinii.

Demontarea sau montarea apărătorii roții de lanț

Pentru a demonta apărătoarea roții de lanț, efectuați pașii de mai jos:

(Pentru modele cu piuliță)

► Fig.1

Slăbiți piulița.

(Pentru modele cu pârghie)

► Fig.2: 1. Pârghie 2. Capacul roții de lanț

Apăsăți și deschideți complet pârghia până când aceasta se oprește.

Rotiți pârghia în sens anti-orar.

Pentru a monta apărătoarea roții de lanț, efectuați pașii de mai sus în ordine inversă.

Demontarea sau montarea lanțului de ferăstrău

⚠️ ATENȚIE:

- Purtați întotdeauna mănuși atunci când montați sau demontați lanțul de ferăstrău.

Pentru a demonta lanțul de ferăstrău, efectuați pașii de mai jos:

1. Slăbiți apărătoarea roții de lanț.
2. (Pentru modele cu piuliță) Rotiți șurubul de reglare a lanțului în sens anti-orar pentru a elibera tensiunea lanțului de ferăstrău.
(Pentru modele cu pârghie) Rotiți rondela de reglare în direcția „-” pentru a slăbi tensiunea lanțului de ferăstrău.

► Fig.3: 1. Șurub de reglare

► Fig.4: 1. Rondelă de reglare

3. Îndepărtați apărătoarea roții de lanț.
4. Demontați lanțul de ferăstrău și lama de ghidare de pe ferăstrăul cu lanț.

Pentru a monta lanțul de ferăstrău, efectuați următorii pași:

5. Asigurați-vă că respectați direcția lanțului.
Marcajul cu săgeată de pe lanț indică direcția lanțului.

► Fig.5: 1. Roată de lanț

6. Montați un capăt al lanțului de ferăstrău în partea de sus a lamei de ghidare și celălalt capăt în jurul roții de lanț.

7. Amplașați lama de ghidare pe ferăstrăul cu lanț.

8. Aliniați glisorul de tensionare cu orificiul lamei de ghidare.

► Fig.6: 1. Lamă de ghidare 2. Orificiu

9. Ținând lama de ghidare, rotiți șurubul de reglare/rondela de reglare a lanțului pentru a ajusta tensiunea lanțului de ferăstrău.

10. Amplașați apărătoarea roții de lanț astfel încât cârligele să se încadreze de-a lungul orificiilor, iar știftul să fie aliniat cu perechea sa de pe apărătoarea roții de lanț.

► Fig.7: 1. Agățătoare 2. Orificiu 3. Știft

11. Strângeți apărătoarea roții de lanț.

► Fig.8

► Fig.9: 1. Pârghie 2. Capacul roții de lanț

Reglarea tensionării lanțului de ferăstrău

Lanțul de ferăstrău se poate detensiona după mai multe ore de utilizare. Verificați din când în când tensionarea lanțului de ferăstrău înainte de utilizare.

1. Slăbiți ușor apărătoarea roții de lanț.
2. Ridicați ușor vârful lamei de ghidare.
3. Rotiți șurubul de reglare/rondela de reglare pentru a regla tensiunea lanțului de ferăstrău.

► Fig.10: 1. Deșurubați 2. Strângere 3. Șurub de reglare lanț 4. Lamă de ghidare 5. Lanț de ferăstrău

► Fig.11: 1. Deșurubați 2. Strângere 3. Rondelă de reglare 4. Lamă de ghidare 5. Lanț de ferăstrău

4. Strângeți lanțul de ferăstrău până când partea inferioară a lanțului de ferăstrău se potrivește în șina lamei de ghidare (vezi cerul).
5. Continuați să țineți lama de ghidare ușor și strângeți apărătoarea roții de lanț după reglarea tensiunii lanțului. Asigurați-vă că lanțul de ferăstrău nu este slăbit în partea inferioară.

Asigurați-vă că lanțul de ferăstrău se fixează ferm pe partea inferioară a lamei.

⚠️ ATENȚIE:

- Nu strângeți excesiv lanțul de ferăstrău. Tensionarea excesivă a lanțului de ferăstrău poate provoca ruperea acestuia, uzarea lamei de ghidare și ruperea rondelii de reglare.
- Un lanț prea slăbit poate sări de pe lamă, prezentând așadar pericol de accidentare.
- Efectuați procedeul de montare sau demontare a lanțului de ferăstrău într-un loc curat, fără rumeguș sau alte materii asemănătoare.

Cuplarea cablului prelungitor

⚠️ ATENȚIE:

- Asigurați-vă că, prelungitorul de cablu este scos din priză.

► Fig.12: 1. Cârlig cablu 2. Cablu mașină 3. Prolungitor 4. Fișă și priză (forma poate diferi de la o țară la alta)

Când cuplați cablul prelungitor, fixați-l de cablul ferăstrăului cu lanț folosind ansamblul cârlig.

Atașați cârligul la circa 100 – 200 mm de la conectorul cablului prelungitor. În acest mod va fi prevenită deconectarea accidentală.

FUNCȚIONARE

⚠️ ATENȚIE:

- Țineți mașina ferm cu mâna dreaptă pe mânerul posterior și mâna stângă pe mânerul frontal în timpul utilizării mașinii.

Acționarea întrerupătorului

- **Fig.13:** 1. Buton de deblocare 2. Declanșator întrerupător

⚠️ ATENȚIE:

- Asigurați-vă întotdeauna că mașina este oprită și decuplată de la alimentarea cu energie electrică atunci când reglați sau verificați funcționarea butonului declanșator.
- Înainte de a branșa mașina la rețea, verificați dacă trăgaciul întrerupătorului funcționează corect și dacă revine la poziția "OFF" (oprit) atunci când este eliberat.

Pentru a preveni acționarea accidentală a butonului declanșator, este prevăzut un buton de deblocare. Pentru a porni mașina, apăsați butonul de deblocare și trageți butonul declanșator. Eliberați butonul declanșator pentru a opri mașina.

Lubrifierea

⚠️ ATENȚIE:

- Asigurați-vă întotdeauna că mașina este oprită și deconectată înainte de a lubrifia lanțul de ferăstrău.

- **Fig.14**

Lubrificați lanțul de ferăstrău și lama utilizând un ulei pentru lanțuri de ferăstrău biodegradabil cu agent de aderență. Agentul de aderență din uleiul pentru lanțul de ferăstrău previne eliminarea excesiv de rapidă a uleiului de pe ferăstrău. Nu este permisă utilizarea uleiurilor minerale, deoarece acestea sunt dăunătoare mediului înconjurător.

⚠️ ATENȚIE:

- Evitați contactul uleiului cu pielea și ochii. Contact cu ochii poate provoca iritații. În cazul unui contact cu ochii, spălați imediat ochiul afectat cu apă curată din abundență și apoi consultați imediat un medic.
- Nu folosiți niciodată ulei uzat. Uleiul uzat conține substanțe cancerigene. Substanțele contaminante din uleiul uzat provoacă uzura accelerată a pompei de ulei, a lamei și a lanțului. Uleiul uzat este dăunător mediului înconjurător.
- Atunci când alimentați ferăstrăul cu lanț pentru prima dată cu ulei de lanț sau când reumpleți rezervorul după golirea completă a acestuia, turnați ulei până la marginea inferioară a gâtului de umplere. În caz contrar, alimentarea cu ulei poate fi defectuoasă.

- **Fig.15:** 1. Capacul bușonului de umplere cu ulei
2. Curea

Pentru a umple cu ulei, efectuați pașii de mai jos:

1. Curățați temeinic zona din jurul capacului bușonului de umplere cu ulei pentru a preveni pătrunderea impurităților în rezervorul de ulei.
2. Deșurubați capacul bușonului de umplere cu ulei și turnați ulei până la marginea inferioară a gâtului de umplere.
3. Înșurubați la loc strâns capacul bușonului de umplere cu ulei.
4. Ștergeți cu grijă uleiul de lanț vărsat.

NOTĂ:

- La prima utilizare a ferăstrăului cu lanț, poate dura până la două minute ca uleiul de lanț să își atingă efectul de lubrifiere a mecanismului ferăstrăului. Lăsați ferăstrăul să funcționeze în gol până la începerea lubrifierii (vezi "VERIFICĂRI").

VERIFICĂRI

Înainte de a începe lucrul executați următoarele verificări:

Verificarea tensionării lanțului

⚠️ AVERTIZARE:

- Deconectați întotdeauna ștecherul de rețea înainte de a verifica tensionarea lanțului și purtați mănuși de protecție.

(Pentru modele cu piuliță)

- **Fig.16:** 1. Deșurubați 2. Strângere 3. Șurub de reglare lanț 4. Lamă de ghidare 5. Lanț de ferăstrău

(Pentru modele cu pârghie)

- **Fig.17:** 1. Deșurubați 2. Strângere 3. Rondelă de reglare 4. Lamă de ghidare 5. Lanț de ferăstrău

Asigurați-vă că lanțul de ferăstrău se fixează ferm pe partea inferioară a lamei (vezi cercul). Verificați frecvent tensionarea lanțului, deoarece lanțurile noi sunt supuse alungirii. Tensionarea excesivă a lanțului de ferăstrău poate provoca ruperea acestuia, uzura lamei de ghidare și ruperea rondelii de reglare. Un lanț prea slăbit poate sări de pe lamă, prezentând așadar pericol de accidentare. Dacă lanțul este prea slăbit: Consultați paragraful intitulat "Reglarea tensionării lanțului de ferăstrău" și ajustați tensionarea lanțului de ferăstrău.

Verificarea funcționării butonului declanșator

- ⚠️ **ATENȚIE:** Înainte de a branșa mașina la rețea, verificați dacă trăgaciul întrerupătorului funcționează corect și dacă revine la poziția "OFF" (oprit) atunci când este eliberat.

Pentru a preveni acționarea accidentală a butonului declanșator, este prevăzut un buton de deblocare. Pentru a porni mașina, apăsați butonul de deblocare și trageți butonul declanșator. Eliberați butonul declanșator pentru a opri mașina. Nu apăsați puternic butonul declanșator fără a apăsa butonul de deblocare. Comutatorul se poate rupe.

Verificarea frânei de lanț

NOTĂ:

- Dacă ferăstrăul cu lanț nu pornește, verificați dacă frâna de lanț este eliberată. Pentru a elibera frâna de lanț, trageți ferm apăritoarea mâinii spre înapoi până când simțiți cuplarea acesteia.

► **Fig.18:** 1. Apăritoare anterioară pentru mână
2. Blocat 3. Deblocat

► **Fig.19:** 1. Apăritoare anterioară pentru mână
2. Deblocat 3. Blocat

Verificați frâna de lanț în modul următor:

1. Țineți ferăstrăul cu lanț cu ambele mâini atunci când îl porniți. Apucați mânerul posterior cu mâna dreaptă și mânerul frontal cu mâna stângă. Asigurați-vă că lama și lanțul nu intră în contact cu niciun obiect.
2. Apăsăți întâi butonul de deblocare și apoi butonul declanșator. Lanțul de ferăstrău pornește imediat.
3. Împingeți apăritoarea frontală a mâinii înainte cu spatele mâinii. Asigurați-vă că lanțul de ferăstrău se oprește imediat.

⚠ATENȚIE:

- Dacă lanțul de ferăstrău nu se oprește imediat, nu utilizați ferăstrăul sub nicio formă. Consultați centrele de service autorizate DOLMAR.

Verificarea frânei de siguranță

Porniți ferăstrăul cu lanț.

Eliberați complet butonul declanșator. Asigurați-vă că lanțul de ferăstrău se oprește în interval de o secundă.

⚠ATENȚIE:

- Dacă lanțul de ferăstrău nu se oprește imediat, nu utilizați ferăstrăul sub nicio formă. Consultați centrele de service autorizate DOLMAR.

Verificarea gresorului de lanț

Înainte de a începe lucrul, verificați nivelul uleiului din rezervor și alimentarea cu ulei.

Nivelul uleiului poate fi observat prin vizorul de ulei prezentat în figură.

► **Fig.20:** 1. Vizor pentru controlul nivelului de ulei

Verificați alimentarea cu ulei după cum urmează:

Porniți ferăstrăul cu lanț.

Cu ferăstrăul în funcțiune, țineți lanțul de ferăstrău la circa 15 cm deasupra unui buștean sau deasupra soluului. Dacă lubrifierea este adecvată, uleiul împrăștiat va forma o urmă subtire de ulei.

Aveți în vedere direcția vântului și nu vă expuneți inutil împrăștierea de ulei.

⚠ATENȚIE:

- Dacă nu se formează o urmă de ulei, nu folosiți ferăstrăul. În caz contrar, durata de exploatare a lanțului se va reduce. Verificați nivelul uleiului. Curățați canalul de alimentare cu ulei și orificiul de alimentare cu ulei din lamă (consultați "ÎNTREȚINERE").

Reglarea lubrifierii lanțului

► Fig.21

Puteți regla debitul pompei de ulei cu ajutorul șurubului de reglare.

LUCRUL CU FERĂSTRĂUL CU LANȚ

⚠ATENȚIE:

- Folosiți întotdeauna un mâner frontal și unul posterior și țineți mașina ferm de mânerul frontal și mânerul posterior în timpul lucrului.
- Fixați întotdeauna bușteanul de tăiat, în caz contrar fragmentele generate de tăiere pot cauza accidentări.

Retezarea

► **Fig.22:** 1. Bară de protecție dințată

Pentru retezări, sprijiniți bara de protecție dințată prezentată în figură pe lemnul ce urmează a fi tăiat.

Cu lanțul de ferăstrău în funcțiune, tăiați în lemn utilizând mânerul posterior pentru a ridica ferăstrăul și mânerul frontal pentru a-l ghida. Folosiți bara de protecție dințată pe post de pivot.

Continuați tăierea aplicând o ușoară presiune pe mânerul frontal, retrăgând ușor ferăstrăul. Mutați bara de protecție dințată în josul bușteanului și ridicați din nou mânerul frontal.

Când executați mai multe tăieturi, opriți ferăstrăul cu lanț între acestea.

⚠ATENȚIE:

- Dacă utilizați pentru tăiere marginea superioară a lamei, ferăstrăul cu lanț poate fi deviat în direcția dumneavoastră dacă lanțul se blochează. Din acest motiv, executați tăierea cu marginea inferioară astfel ca ferăstrăul să se îndepărteze de corpul dumneavoastră.

► **Fig.23**

Tăiați lemnul tensionat întâi pe partea de compresiune (A). Apoi executați tăietura finală pe partea de tensiune (B). Această tehnică previne înțepenirea lamei.

► **Fig.24**

Debitarea

⚠ATENȚIE:

- Debitarea poate fi executată numai de persoane calificate. Există pericol din cauza riscului de recul.

Atunci când debitați, sprijiniți ferăstrăul cu lanț pe trunchi dacă este posibil. Nu tăiați cu vârful lamei deoarece prezintă risc de recul.

Acordați o atenție deosebită crengilor tensionate. Nu tăiați de dedesubt crengile nesuținute.

Nu vă urcați pe trunchiul doborât atunci când executați debitarea.

Scobirea și tăierea în lungul fibrei

⚠️ ATENȚIE:

- Scobirea și tăierea în lungul fibrei pot fi executate numai de persoane cu pregătire specială. Posibilitatea de reculare prezintă risc de vătămare.

► Fig.25

Executați tăierile în lungul fibrei sub un unghi cât mai redus posibil. Executați tăierea cu cea mai mare atenție, deoarece nu este posibilă folosirea barei de protecție dințate.

Doborârea

⚠️ ATENȚIE:

- Lucrarea de doborâre poate fi executată numai de persoane calificate. Lucrarea este periculoasă.

Respectați reglementările locale dacă doriți să doborâți un arbore.

► Fig.26: 1. Zona de tăiere

- Înainte de a începe lucrarea de doborâre asigurați-vă că:
 - (1) În apropiere se află numai persoanele implicate în operația de doborâre;
 - (2) Toate persoanele implicate dispun de o rută de retragere fără obstacole pe o rază de circa 45° de-o parte și de cealaltă a axei de doborâre. Luați în considerare riscul suplimentar de împiedicare în cablurile electrice;
 - (3) Baza trunchiului nu prezintă obiecte străine, rădăcini și crengi;
 - (4) Nu există persoane sau obiecte prezente pe o distanță egală cu 2,5 lungimi de arbore în direcția de cădere a acestuia.
- La fiecare arbore aveți în vedere următoarele:
 - direcția de înclinare;
 - crengi desprinse sau uscate;
 - înălțimea arborelui;
 - proeminența naturală;
 - dacă arborele este putred sau nu.
- Luați în considerare viteza și direcția vântului. Nu executați lucrări de doborâre dacă vântul suflă cu putere în rafale.
- Curățarea protuberanțelor rădăcinilor: Începeți cu protuberanțele cele mai mari. Executați întâi tăietura verticală și apoi tăietura orizontală.

► Fig.27

- Tăiați o creastă: Creștătura determină direcția în care se va prăbuși arborele și are rol de ghidare. Aceasta se practică pe partea orientată în direcția în care trebuie să cadă arborele. Tăiați creștătura cât mai aproape posibil de sol. Executați mai întâi o tăietură orizontală până la o adâncime de 1/5 - 1/3 din diametrul trunchiului. Nu practicați o creștătură prea mare. Apoi executați tăietura diagonală.
- Executați orice tăiere de corectare a creștăturii pe întreaga lățime a acesteia.

► Fig.28

- Executați tăietura din spate puțin mai sus decât tăietura de bază a creștăturii. Tăietura din spate trebuie să fie perfect orizontală. Lăsați o distanță de circa 1/10 din diametrul trunchiului între tăietura din spate și creștătura. Fibrele de lemn din porțiunea de trunchi netăiată acționează precum o balama. Nu tăiați niciodată direct prin aceste fibre, deoarece căderea copacului nu va mai putea fi controlată. Pe parcursul operației de tăiere, introduceți pene în tăietura din spate.
- Utilizați doar pene din plastic sau aluminiu pentru menținerea deschisă a tăieturii din spate. Este interzisă utilizarea penelor din fier.
- Poziționați-vă lateral față de arborele ce urmează a fi doborât. Eliberați zona din spatele arborelui ce urmează a fi doborât pe o rază de până la 45° de-o parte și de cealaltă a axului arborelui (consultați figura de la "zona de tăiere"). Atenție la crengile copacului doborât.
- O cale de evacuare trebuie planificată și curățată, dacă este necesar, înainte de a începe activitățile de tăiere. Calea de evacuare trebuie să se lărgească înapoi și pe diagonală în spatele liniei de cădere preconizate, așa cum este ilustrat în figură.

- Fig.29: 1. Direcție de cădere 2. Zonă periculoasă 3. Traseu de evacuare

ÎNȚEȚINERE

⚠️ ATENȚIE:

- Asigurați-vă că ați oprit mașina și că ați debransat-o de la rețea înainte de a efectua operațiuni de verificare sau întreținere.
- Purtați întotdeauna mănuși când executați orice lucrare de inspecție și întreținere.
- Nu utilizați niciodată gazolină, benzină, diluant, alcool sau alte substanțe asemănătoare. În caz contrar, pot rezulta decolorări, deformări sau fisuri.

Executați lucrările de întreținere descrise mai jos la intervale regulate. Solicitățile de acordare a garanției vor fi acceptate numai dacă aceste operațiuni au fost executate regulat și corect. Utilizatorului îi este permisă numai executarea lucrărilor de întreținere descrise în acest manual de utilizare. Orice alte lucrări trebuie executate de centre de service autorizate DOLMAR.

Curățarea ferăstrăului cu lanț

Curățați ferăstrăul în mod regulat cu o lavetă curată. Nu trebuie să existe urme de ulei, în special pe mânăre.

Verificarea carcasei de plastic

Efectuați inspecții vizuale regulate ale tuturor componentelor carcasei. Dacă există piese cu defecțiuni, solicitați repararea imediată a acestora în centre de service autorizate DOLMAR.

Ascuțirea lanțului de ferăstrău

⚠️ **ATENȚIE:**

- Deconectați întotdeauna ștecherul de rețea și purtați mănuși de protecție atunci când executați lucrări la lanțul de ferăstrău.

► Fig.30

Ascuțiți lanțul de ferăstrău atunci când:

- La tăierea lemnului umed se produce rumeguș făinos;
- Lanțul penetrează lemnul cu dificultate, chiar dacă se aplică o forță puternică;
- Muchiile tăietoare sunt deteriorate vizibil;
- Ferăstrăul trage spre stânga sau spre dreapta la tăierea lemnului. Cauza acestui comportament este ascuțirea neuniformă a lanțului de ferăstrău, sau deteriorarea unei singure laturi.

Ascuțiți frecvent lanțul de ferăstrău, însă îndepărtați doar o cantitate mică de material de fiecare dată.

Două sau trei curse ale pilei sunt suficiente de obicei pentru o ascuțire de rutină. După ce lanțul de ferăstrău a fost reascuțit de mai multe ori, solicitați ascuțirea acestuia la un centru de service autorizat DOLMAR.

Criterii de ascuțire:

- Toate lungimile de cuțite trebuie să fie egale. Cuțitele cu lungimi diferite nu permit funcționarea lină a lanțului și pot provoca ruperea acestuia.
- Nu ascuțiți lanțul după atingerea unei lungimi minime a cuțitului de 3 mm. În acest caz trebuie instalat un lanț nou.
- Grosimea așchii este determinată de distanța dintre calibrul de adâncime (ciocul rotund) și muchia tăietoare.
- Cele mai bune rezultate de tăiere se obțin cu următoarea distanță între muchia de tăiere și calibrul de adâncime.

Pânză lanț 492 (91PX): 0,65 mm

- Fig.31: 1. Lungime de tăiere 2. Distanța dintre marginea de tăiere și calibrul de adâncime 3. Minimum 3 mm

⚠️ **AVERTIZARE:**

- O distanță prea mare sporește riscul de recul.

- Unghiul de ascuțire de 30° trebuie să fie identic pe toate cuțitele. Diferențele între unghiuri cauzează o funcționare neuniformă a lanțului și uzarea accelerată a acestuia, conducând la ruperea lanțului.
- Unghiul plăcii laterale a cuțitului este determinat de adâncimea de penetrare a pilei rotunde. Dacă pila specificată este utilizată corect, unghiul corect al plăcii laterale se obține automat.
- Unghiul plăcii laterale pentru fiecare lanț de ferăstrău este următorul:

Pânză lanț 492 (91PX): 80°

- Fig.32: 1. Unghi placă laterală

Pila și ghidarea pilei

- Utilizați pentru ascuțirea lanțului o pilă rotundă specială (accesoriu opțional) pentru lanțuri de ferăstrău. Pilele rotunde normale nu sunt adecvate.
- Diametrul pilei rotunde pentru fiecare lanț de ferăstrău este următorul:
Pânză lanț 492 (91PX): 4,0 mm
- Pila trebuie să intre în contact cu cuțitul numai la cursa de avans. Ridicați pila de pe cuțit la cursa de revenire.
- Ascuțiți întâi cuțitul cel mai scurt. Apoi, lungimea acestui cel mai scurt cuțit devine standard pentru toate celelalte cuțite de pe lanțul de ferăstrău.

► Fig.33

- Ghidați pila după cum se vede în figură.
- Pila poate fi ghidată mai ușor dacă se folosește un suport de pilă (accesoriu opțional). Suportul de pilă dispune de marcaje pentru unghiul corect de ascuțire de 30° (alineați marcajele paralel cu lanțul de ferăstrău) și limitează adâncimea de penetrare (la 4/5 din diametrul pilei).

► Fig.34

- După ascuțirea lanțului, verificați înălțimea calibrului de adâncime utilizând instrumentul de etalonare a lanțului (accesoriu opțional).

► Fig.35

- Îndepărtați orice proeminență de material, oricât de mică, cu o pilă plată specială (accesoriu opțional).
- Rotunjiți din nou muchia frontală a calibrului de adâncime.

Curățarea lamei de ghidare și lubrifierea roții de lanț de revenire

⚠️ **ATENȚIE:**

- Purtați întotdeauna mănuși de protecție la această operație. Bavrile prezintă risc de vătămare.

► Fig.36

Verificați în mod regulat suprafața de rulare a lamei cu privire la deteriorări. Curățați cu un instrument adecvat și îndepărtați bavrile dacă este necesar. Dacă ferăstrăul cu lanț este utilizat frecvent, lubrifiați lagărul roții de lanț de revenire cel puțin o dată pe săptămână. Înainte de a adăuga unsoarea proaspătă, curățați cu atenție orificiul de 2 mm de la vârful lamei de ghidare, apoi introduceți o cantitate mică de vaselină multifuncțională (accesoriu opțional) în orificiu.

Curățarea canalului de ghidare a uleiului

► Fig.37: 1. Canal de ghidare a uleiului 2. Orificiu de alimentare cu ulei

- Curățați canalul de ghidare a uleiului și orificiul de alimentare cu ulei din lamă la intervale regulate.

Lanțuri de ferăstrău noi

Folosiți alternant două sau trei lanțuri de ferăstrău, pentru ca lanțul de ferăstrău, roata de lanț și suprafețele de rulare ale lamei să se uzeze uniform.

Întoarceți lama atunci când schimbați lanțul pentru așigura o uzură uniformă a canelurii lamei.

⚠️ ATENȚIE:

- Utilizați numai lanțuri și lame care sunt aprobate pentru acest model de ferăstrău (consultați "SPECIFICAȚII").

► Fig.38: 1. Roată de lanț

Înainte de a instala un lanț de ferăstrău nou, verificați starea roții de lanț.

⚠️ ATENȚIE:

- O roată de lanț uzată va deteriora un lanț de ferăstrău nou. În acest caz, înlocuiți roata de lanț.

Instalați întotdeauna un inel de blocare nou atunci când înlocuiți roata de lanț.

Întreținerea lanțului și a frânelor de siguranță

Sistemele de frânare sunt echipamente de siguranță extrem de importante. Ca orice altă componentă a ferăstrăului cu lanț, acestea sunt supuse unui anumit grad de uzură. Acestea trebuie inspectate în mod regulat de centre de service autorizate DOLMAR. Această măsură este destinată siguranței dumneavoastră.

Înlocuirea periilor de carbon

► Fig.39: 1. Marcaj limită

Detashați periile de carbon și verificați-le în mod regulat. Schimbați-le atunci când s-au uzat până la marcajul limită. Periile de carbon trebuie să fie în permanență curate și să alunece ușor în suport. Ambele perii de carbon trebuie să fie înlocuite simultan cu alte perii identice.

► Fig.40: 1. Capacul suportului pentru perii 2. Șurubelniță

Folosiți o șurubelniță pentru a îndepărta capacul suportului periilor de carbon. Scoateți periile de carbon uzate și fixați capacul pentru periile de carbon.

După înlocuirea periilor, conectați scula și rodați periile lăsând-o să funcționeze în gol timp de circa 10 minute.

Depozitarea mașinii

Uleiul biodegradabil pentru lanțuri de ferăstrău poate fi depozitat numai pe o perioadă limitată. După doi ani de la data fabricării, uleiurile biologice încep să capete o caracteristică aderentă și provoacă avariarea pompei de ulei și a componentelor din sistemul de lubrifiere.

- Înainte de a scoate din funcțiune ferăstrăul cu lanț pentru o perioadă mai lungă, goliți rezervorul de ulei și umpleți-l cu o cantitate mică de ulei de motor (SAE 30).
- Puneți scurt în funcțiune ferăstrăul cu lanț pentru a spăla toate resturile de ulei biologic din rezervor, sistemul de lubrifiere și mecanismul ferăstrăului.

NOTĂ:

- După scoaterea din funcțiune a ferăstrăului cu lanț, din acesta se vor scurge mici cantități de ulei pentru lanț după un timp. Acest lucru este normal și nu reprezintă un defect.

Depozitați ferăstrăul cu lanț pe o suprafață adecvată. Înainte de a repune în funcțiune ferăstrăul cu lanț, umpleți-l cu ulei pentru lanțuri de ferăstrău BIOTOP proaspăt.

Pentru a menține SIGURANȚA și FIABILITATEA produsului, reparațiile și orice alte lucrări de întreținere sau reglare trebuie executate de centre de service DOLMAR autorizate, folosind întotdeauna piese de schimb DOLMAR.

DEPANARE

Înainte de a solicita reparații, efectuați mai întâi propria inspecție. În cazul în care găsiți o problemă care nu este explicată în manual, nu încercați să demontați echipamentul. În loc de aceasta, consultați centre de service autorizate Dolmar.

Stare defecțiune	Cauză posibilă	Remediu
Ferăstrăul cu lanț nu pornește.	Nicio sursă de alimentare.	Conectați sursa de alimentare. Verificați sursa de alimentare.
	Cablu defect.	Oprțiți imediat utilizarea mașinii și consultați centrul de service autorizat local.
	Defect mașină.	Oprțiți imediat utilizarea mașinii și consultați centrul de service autorizat local.
Lanțul nu se învâрте.	Frâna de lanț este cuplată.	Eliberați frâna de lanț.
Performanțe insuficiente.	Perie de cărbune uzată.	Solicitați centrului de service autorizat local efectuarea reparațiilor.
Nu există ulei pe lanț.	Rezervorul de ulei este gol.	Umpleți rezervorul de ulei.
	Canalul de ghidare a uleiului este murdar.	Curățați canalul.
	Șurub de reglare pompă de ulei incorect ajustat.	Reglați rata de alimentare a pompei de ulei.
Lanțul nu se oprește chiar dacă frâna de lanț este cuplată.	Bandă de frânare uzată.	Oprțiți imediat utilizarea mașinii și consultați centrul de service autorizat local.
Mașina vibrează anormal.	Slăbiți lama de ghidare sau lanțul de ferăstrău.	Ajustați tensiunea lamei de ghidare și a lanțului de ferăstrău.
	Defect mașină.	Oprțiți imediat utilizarea mașinii și consultați centrul de service autorizat local.

ACCESORII OPȚIONALE

ATENȚIE:

- Aceste accesorii sau atașamentele sunt recomandate pentru utilizarea împreună cu mașina Dolmar specificată în acest manual. Utilizarea oricărui alte accesorii sau atașamente poate prezenta riscul de rănire a persoanelor. Utilizați accesorii și atașamentele numai în scopul pentru care au fost destinate.

Dacă aveți nevoie de asistență pentru detalii suplimentare referitoare la aceste accesorii, întrebați centrul local de service Dolmar.

- Lanț de ferăstrău
- Capac lamă de ghidare
- Lamă de ghidare
- Ulei pentru lanț de ferăstrău

NOTĂ:

- Unele articole din listă pot fi incluse ca accesorii standard în ambalajul de scule. Acestea pot diferi în funcție de țară.

TECHNISCHE DATEN

Modell	ES-154	ES-154 TLC	ES-164	ES-164 TLC	ES-174	ES-174 TLC	ES-184	ES-184 TLC		
	ES-2131	ES-2131 TLC	ES-2136	ES-2136 TLC	ES-2141	ES-2141 TLC	ES-2146	ES-2146 TLC		
Max. Kettendrehzahl	14,5 m/s (870 m/min)									
Standard-Führungsschiene	Schiene n länge		300 mm		350 mm		400 mm		450 mm	
	Schnittlänge		260 mm		320 mm		355 mm		415 mm	
	Führungsschiene ntyp		Umlenksternschiene							
Standard-Sägekette	Typ		492 (91PX)							
	Kettenteilung		3/8"							
	Anz. Antriebsverbindungen		46		52		56		62	
Empfohlene Länge der Führungsschiene		300 - 450 mm								
Gesamtlänge (ohne Führungsschiene)		505 mm								
Netto-Gewicht		5,4 kg		5,5 kg		5,6 kg		5,7 kg		
Verlängerungskabel (optional)		DIN 57282/HO 7RN - F L=30 m max., 3x1,5 mm ²								

- Aufgrund der laufenden Forschung und Entwicklung unterliegen die hier aufgeführten technischen Daten Veränderungen ohne Hinweis.
- Die technischen Daten können für verschiedene Länder unterschiedlich sein.
- Gewicht entsprechend der EPTA-Vorgehensweise 01/2003

Symbol

Nachstehend sind Symbole aufgeführt, auf die Sie beim Werkzeuggebrauch stoßen können. Sie sollten noch vor Arbeitsbeginn ihre Bedeutung kennen.

	Lesen Sie die Betriebsanleitung und befolgen Sie die Warnungen und Sicherheitshinweise.
	Tragen Sie eine Schutzbrille.
	Tragen Sie einen Gehörschutz.
	ZWEIFACH-ISOLIERUNG
	Achtung: Besondere Vorsicht und Aufmerksamkeit sind erforderlich!
	Achtung: Bei beschädigtem Kabel sofort Netzstecker ziehen!
	Achtung: Rückschlag!
	Vor Regen und Nässe schützen!
	Helm, Augen- und Gehörschutz tragen!
	Schutzhandschuhe tragen!
	Netzstecker ziehen!

	Erste Hilfe
	Maximal zulässige Schnittlänge
	Laufrichtung der Sägekette
	Sägekettenöl
	Kettenbremse gelöst
	Kettenbremse aktiviert
	Verboten!
	Nur für EU-Länder Werfen Sie Elektrowerkzeuge nicht in den Hausmüll! Gemäß der Europäischen Richtlinie über Elektro- und Elektronik-Altgeräte und ihrer Umsetzung in nationales Recht müssen verbrauchte Elektrowerkzeuge getrennt gesammelt und einer umweltgerechten Wiederverwertung zugeführt werden.

Verwendungszweck

Das Werkzeug wurde für das Schneiden von Stämmen und Holzscheiten entwickelt.

Stromversorgung

Das Werkzeug darf ausschließlich an Einphasen-Wechselstrom mit der auf dem Typenschild angegebenen Spannung angeschlossen werden. Das Werkzeug verfügt über ein doppelt isoliertes Gehäuse und kann daher auch an einer Stromversorgung ohne Schutzkontakt betrieben werden.

Geräuschpegel

Die typischen A-bewerteten Geräuschpegel, bestimmt gemäß EN60745:

- Schalldruckpegel (L_{pA}): 90,8 dB (A)
- Schalleistungspegel (L_{WA}): 101,8 dB (A)
- Abweichung (K): 2,5 dB (A)

Tragen Sie Gehörschutz

Schwingung

Schwingungsgesamtwerte (Vektorsumme dreier Achsen) nach EN60745:

- Arbeitsmodus: Schneiden von Holz
- Schwingungsbelastung (a_h): 5,2 m/s²
- Abweichung (K): 1,5 m/s²

HINWEIS: Die deklarierte Schwingungsbelastung wurde gemäß der Standardtestmethode gemessen und kann für den Vergleich von Werkzeugen untereinander verwendet werden.

HINWEIS: Die deklarierte Schwingungsbelastung kann auch in einer vorläufigen Bewertung der Gefährdung verwendet werden.

⚠️ WARNUNG: Die Schwingungsbelastung während der tatsächlichen Anwendung des Elektrowerkzeugs kann in Abhängigkeit von der Art und Weise der Verwendung des Werkzeugs vom deklarierten Belastungswert abweichen.

⚠️ WARNUNG: Stellen Sie sicher, dass Schutzmaßnahmen für den Bediener getroffen werden, die auf den unter den tatsächlichen Arbeitsbedingungen zu erwartenden Belastungen beruhen (beziehen Sie alle Bestandteile des Arbeitsablaufs ein, also zusätzlich zu den Arbeitszeiten auch Zeiten, in denen das Werkzeug ausgeschaltet ist oder ohne Last läuft).

EG-Konformitätserklärung

Nur für europäische Länder

Die EG-Konformitätserklärung ist als Anhang A in dieser Bedienungsanleitung enthalten.

Allgemeine Sicherheitshinweise für Elektrowerkzeuge

⚠️ WARNUNG Lesen Sie alle Sicherheitswarnungen und -anweisungen sorgfältig durch. Werden die Warnungen und Anweisungen ignoriert, besteht die Gefahr eines Stromschlags, Brands und/oder schweren Verletzungen.

Bewahren Sie alle Warnhinweise und Anweisungen zur späteren Referenz gut auf.

Sicherheitshinweise zu Kettensägen

- Halten Sie mit allen Körperteilen Abstand zur Sägekette, wenn der Motor der Kettensäge läuft. Stellen Sie vor dem Starten der Kettensäge sicher, dass die Sägekette frei ist und keinerlei Gegenstände berührt.** Beim Arbeiten mit Kettensägen kann schon der kürzeste Moment an Unaufmerksamkeit zur einer Berührung zwischen Sägekette und Kleidung oder Körper führen.
- Halten Sie die Kettensäge stets mit der rechten Hand am hinteren Griff und mit der linken Hand am vorderen Griff.** Ein Erfassen der Kettensäge mit der linken Hand am hinteren Griff und mit der rechten Hand am vorderen Griff führt zu einer deutlich höheren Verletzungsgefahr und hat zu unterbleiben.
- Halten Sie das Elektrowerkzeug an den isolierten Griffflächen, da die Sägekette in Berührung mit dem eigenen Netzkabel kommen kann.** Der Kontakt der Sägekette mit einer spannungsführenden Leitung kann metallene Geräteteile unter Spannung setzen und zu einem elektrischen Schlag führen.
- Tragen Sie eine Schutzbrille und einen Gehörschutz. Außerdem wird das Tragen von Schutzausrüstung für Kopf, Hände, Beine und Füße empfohlen.** Bei geeigneter Schutzkleidung verringert sich das Verletzungsrisiko durch herumfliegende Sägeabfälle oder durch versehentlichen Kontakt mit der Sägekette.
- Benutzen Sie die Kettensäge nicht bei Aufenthalt auf einem Baum.** Bei Benutzung einer Kettensäge bei Aufenthalt auf einem Baum kann es zu Verletzungen kommen.
- Achten Sie immer auf einen sicheren Stand, die Benutzung der Kettensäge ist nur dann zulässig, wenn Sie auf einer festen, sicheren und waagerechten Fläche stehen.** Auf rutschigen und instabilen Standflächen, wie z. B. auf einer Leiter, können Sie das Gleichgewicht und die Kontrolle über die Kettensäge verlieren.
- Achten Sie beim Sägen von unter Spannung stehenden Ästen auf ein mögliches Zurückschnellen.** Wenn die Spannung im Holz frei wird, kann der Bediener der Säge vom unter Spannung stehenden Ast getroffen werden oder die Säge kann außer Kontrolle geraten.
- Beim Sägen von Gebüsch und jungen Bäumen ist besondere Vorsicht geboten.** Die Sägekette kann das schlanke Material erfassen und in Ihre Richtung peitschen oder Sie aus dem Gleichgewicht bringen.
- Tragen Sie die Kettensäge immer ausgeschaltet und am vorderen Griff und vom Körper entfernt. Transportieren und lagern Sie die Kettensäge immer mit aufgesetztem Schutz über dem Sägeschwert.** Durch einen sachgemäßen Umgang mit der Kettensäge können Sie eine Berührung der sich bewegenden Sägekette vermeiden.
- Halten Sie die Anweisungen für Schmierung, Spannen der Kette und Austausch von Zubehöerteilen ein.** Eine unsachgemäß geschmierte oder unsachgemäß gespannte Sägekette kann reißen oder einen Rückschlag verursachen.

11. **Halten Sie die Griffe trocken und sauber und frei von Öl und Schmierfett.** Fettige oder ölige Griffe sind schlüpfrig, wodurch Sie die Kontrolle über die Säge verlieren können.
12. **Die Säge darf ausschließlich für das Schneiden von Holz verwendet werden. Verwenden Sie die Kettensäge ausschließlich für den vorgesehenen Zweck. Beispiel: Mit dieser Kettensäge ist das Schneiden von Kunststoffen, Ziegeln oder Baumaterialien, die nicht aus Holz sind, unzulässig.** Die zweckentfremdete Verwendung der Kettensäge ist gefährlich.
13. **Ursachen für Rückschläge und geeignete Vorkehrungen:**

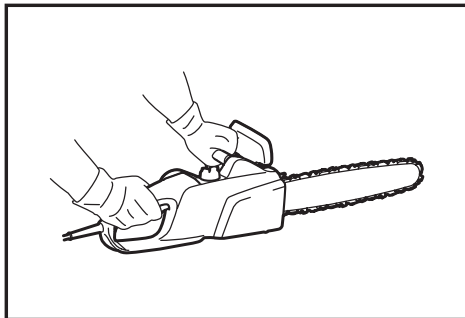
Wenn die Nase oder die Spitze des Sägeschwerts ein Objekt berührt oder wenn sich das Holz in den Schnitt biegt und die Sägekette einklemmt, kann es zu einem Rückschlag kommen.

Wenn die Spitze mit Gegenständen in Berührung kommt, kann es zu einer plötzlichen Bewegungsumkehr kommen, wodurch das Sägeschwert nach oben und in Richtung des Bedieners gestoßen wird.

Wenn die Sägekette oben am Sägeschwert eingeklemmt wird, kann das Sägeschwert plötzlich nach hinten in Richtung des Bedieners gedrückt werden.

All diese Reaktionen können zu einem Verlust der Kontrolle über die Säge und dadurch zu schweren Verletzungen führen. Verlassen Sie sich nicht ausschließlich auf die Sicherheitsvorrichtungen der Säge. Als Benutzer einer Kettensäge müssen Sie bezüglich Arbeitsschutz mehrere Dinge beachten: Rückschlag wird durch eine zweckentfremdete Nutzung des Werkzeugs und/oder unsachgemäße Bedienschritte oder -umstände verursacht und kann durch die unten aufgeführten Maßnahmen vermieden werden:

- **Halten Sie das Werkzeug gut fest, wobei Daumen und Finger die Griffe der Kettensäge umfassen, sich beide Hände an der Säge befinden und Sie Ihren Körper und Arm so positionieren, dass Sie Rückschlagkräften entgegenwirken können.** Rückschlagkräfte können vom Bediener kontrolliert werden, wenn die entsprechenden Vorsichtsmaßnahmen getroffen werden. Lassen Sie die Kettensäge nicht los.



- **Beugen Sie sich nicht zu weit nach vorn und sägen Sie nicht über Schulterhöhe.** Dadurch können unbeabsichtigte Berührungen der Schwertschneide mit Gegenständen vermieden werden. Außerdem kann die Kettensäge in unerwarteten Situationen besser unter Kontrolle gehalten werden.
- **Verwenden Sie ausschließlich die vom Hersteller vorgeschriebenen Ersatzschwerter und -ketten.** Nicht zugelassene Ersatzschwerter und -ketten können zu einem Riss der Kette und/oder Rückschlag führen.
- **Halten Sie die Vorschriften des Herstellers für das Schärfen und die Wartung der Sägekette ein.** Bei Absenken des Tiefenanschlages kann es zu höheren Rückschlagkräften kommen.

ZUSÄTZLICHE SICHERHEITSREGELN

1. Lesen Sie diese Betriebsanleitung, um sich mit der Handhabung der Kettensäge vertraut zu machen.
2. Vor der ersten Inbetriebnahme der Kettensäge sollten Sie sich deren Arbeitsweise erklären lassen. Falls das nicht möglich ist, üben Sie vor Beginn der Arbeit zumindest das Ablängen von Rundholz auf einem Sägebock.
3. Kinder und Jugendliche unter 18 Jahren dürfen die Kettensäge nicht bedienen. Jugendliche über 16 Jahren sind von diesem Verbot ausgenommen, wenn Sie zum Zwecke der Ausbildung unter Aufsicht eines Fachkundigen stehen.
4. Das Arbeiten mit der Kettensäge erfordert ein hohes Maß an Aufmerksamkeit. Nur in guter körperlicher Verfassung arbeiten. Führen Sie alle Arbeiten ruhig und sorgfältig aus.
5. Arbeiten Sie niemals unter Einfluss von Alkohol, Drogen oder Medikamenten.

Bestimmungsgemäßer Gebrauch

1. Die Kettensäge wurde eigens für das Sägen von Holz entwickelt. Verwenden Sie sie beispielsweise nicht zum Sägen von Kunststoff oder porösem Beton.
2. Verwenden Sie die Kettensäge nur für Arbeiten, die in dieser Betriebsanleitung beschrieben sind. Verwenden Sie sie zum Beispiel **nicht** zum Heckenschneiden oder ähnlichem.
3. Die Kettensäge darf nicht für Forstarbeiten, d. h. zum Fällen und Entasten von Nutzholz verwendet werden. Die Kabelverbindung gewährleistet dem Bediener nicht die notwendige Beweglichkeit und Sicherheit, die für diese Arbeiten erforderlich ist.
4. Die Kettensäge ist nicht für den gewerblichen Gebrauch bestimmt.
5. Die Kettensäge nicht überlasten.

Persönliche Schutzausrüstung

1. Die Kleidung muss eng anliegen, darf jedoch nicht die Bewegungsfreiheit einschränken.
2. Tragen Sie bei der Arbeit folgende Schutzkleidung:
 - Einen geprüften Schutzhelm, wenn mit herabfallenden Ästen oder Ähnlichem zu rechnen ist;
 - Einen Gesichts- oder Augenschutz;
 - Geeigneten Gehörschutz (Gehörschutzkapseln, maßgeschneiderte oder formbare Gehörschutzstöpsel). Oktavbandanalyse auf Anfrage.
 - Schutzhandschuhe aus festem Leder;
 - Eine lange Hose aus festem Stoff;
 - Eine Sicherheits-Latzhose mit Schnittschutz;
 - Sicherheitsschuhe oder -stiefel mit rutschfesten Sohlen, Stahlkappen und schnittfestem Futter;
 - Eine Atemmaske für Arbeiten mit Staubeentwicklung (z. B. Sägen von trockenem Holz).

Schutz vor elektrischem Schlag



Die Kettensäge darf nicht bei nassem Wetter oder in feuchter Umgebung verwendet werden, da der Elektromotor nicht wasserdicht ist.

1. Schließen Sie die Säge nur an eine Steckdose mit geprüfter Installation an. Prüfen Sie, ob die Netzspannung den Angaben auf dem Typenschild entspricht. Stellen Sie sicher, dass eine Vorsicherung mit 16 A eingebaut ist. Sägen, die im Freien verwendet werden, müssen über einen Fehlerstrom-Schutzschalter mit maximal 30 mA Auslösestrom ans Netz angeschlossen werden.



Sollte das Anschlusskabel beschädigt sein, ziehen Sie sofort den Netzstecker.

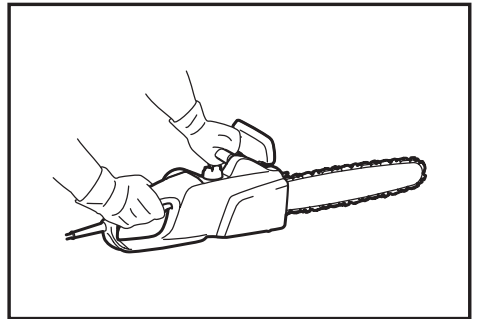
Sicheres Arbeiten

1. Vor Arbeitsbeginn sicherstellen, dass die Kettensäge einwandfrei funktioniert und deren Zustand den Sicherheitsbestimmungen entspricht. Stellen Sie insbesondere sicher, dass:
 - die Kettenbremse ordnungsgemäß funktioniert,
 - die Auslaufbremse ordnungsgemäß funktioniert,
 - die Sägeschiene und der Kettenradschutz ordnungsgemäß angebracht sind,
 - die Kette vorschriftsgemäß geschärft und gespannt ist,
 - das Netzkabel und der Netzstecker nicht beschädigt sind;

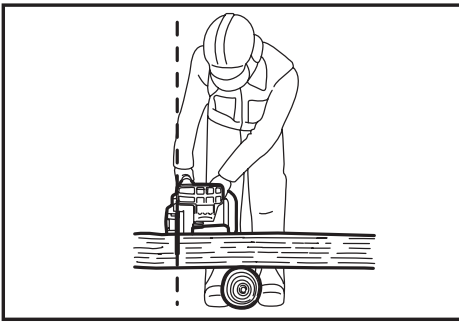
Siehe Abschnitt "PRÜFUNGEN".

2. Stellen Sie insbesondere stets sicher, dass das verwendete Verlängerungskabel einen entsprechenden Durchmesser hat (siehe "TECHNISCHE DATEN"). Bei Verwendung einer Kabelrolle sollte das Kabel vollständig abgewickelt werden. Wenn Sie die Säge im Freien verwenden, stellen Sie sicher, dass das verwendete Kabel für den Einsatz im Freien zugelassen und entsprechend gekennzeichnet ist.

3. Halten Sie das Kabel vom Schneidebereich fern und positionieren Sie das Kabel so, dass es sich nicht beim Schneiden in Ästen u. ä. verfängt.
4. Betreiben Sie die Kettensäge nicht in der Nähe von entzündlichem Staub oder Gasen, da der Motor Funken erzeugt. **Explosionsgefahr!**
5. Arbeiten Sie nur auf stabilem Untergrund und achten Sie dabei auf sicheren Stand. Achten Sie besonders auf Hindernisse (z. B. das Kabel) im Arbeitsbereich. Seien Sie besonders vorsichtig bei Glätte durch Nässe, Eis, Schnee, frisch geschnittenes Holz oder frisch geschälte Rinde. Nicht auf Leitern oder Bäumen mit der Säge arbeiten.
6. Seien Sie besonders vorsichtig, wenn Sie in schrägem Gelände arbeiten, da heranrollende Baumstämme und Äste eine mögliche Gefahr darstellen.
7. Sägen Sie niemals über Schulterhöhe.
8. **Halten Sie beim Einschalten und bei der Arbeit die Kettensäge mit beiden Händen fest.** Halten Sie den hinteren Griff mit Ihrer rechten und den vorderen Griff mit Ihrer linken Hand fest. Umfassen Sie die Griffe fest mit Ihren Daumen. Die Sägeschiene und die Kette dürfen beim Einschalten der Säge keine Gegenstände berühren.



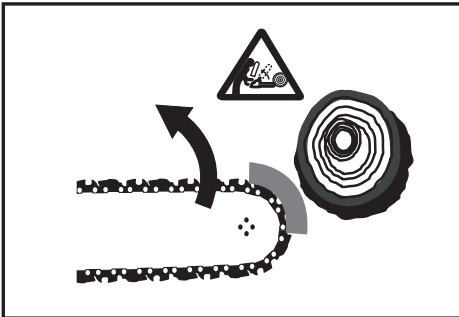
9. Säubern Sie den Schnittbereich von Fremdkörpern wie Sand, Steinen, Nägeln, Draht, etc. Fremdkörper beschädigen die Sägeschiene und Sägekette und können zum gefährlichen Rückschlag führen.
10. Seien Sie besonders vorsichtig, wenn Sie in der Nähe von Drahtzäunen sägen. Sägen Sie nicht in den Zaun, da sonst ein Rückschlagen der Säge möglich ist.
11. Sägen Sie niemals in den Untergrund.
12. Sägen Sie Holzstücke stets einzeln, niemals in Bündeln oder Stapeln.
13. Vermeiden Sie das Sägen von dünnen Ästen und Wurzeln, da sich diese in der Kettensäge verfangen können. Gefahr durch Verlust des Gleichgewichts.
14. Verwenden Sie beim Sägen von Schnittholz eine sichere Auflage (Sägebock).
15. Verwenden Sie die Kettensäge nicht zum Abhebeln oder Wegschauflern von Holzstücken und sonstigen Gegenständen.
16. Führen Sie die Kettensäge so, dass sich kein Körperteil im verlängerten Schwenkbereich der Sägekette befindet (siehe Abbildung).



17. Aktivieren Sie bei einem Standortwechsel während der Arbeit die Kettenbremse, um ein unbeabsichtigtes Anlaufen der Sägekette zu vermeiden. Tragen Sie die Kettensäge am vorderen Griff und halten Sie Ihren Finger nicht am Schalter.
18. Ziehen Sie den Netzstecker, wenn Sie eine Pause einlegen oder die Kettensäge unbeaufsichtigt lassen. Die Kettensäge ist so abzustellen, dass niemand gefährdet werden kann.

Rückschlag

1. Beim Arbeiten mit der Kettensäge kann es zum gefährlichen Rückschlag kommen. Dieser Rückschlag entsteht, wenn die Schienenspitze (insbesondere das obere Viertel) mit Holz oder einem anderen festen Gegenstand in Berührung kommt. Dies führt dazu, dass die Kettensäge in Richtung des Bedieners ausschlägt.



2. Um einen Rückschlag zu vermeiden, beachten Sie Folgendes:
 - Setzen Sie niemals mit der Schienenspitze zum Schnitt an.
 - Sägen Sie niemals mit der Schienenspitze. Seien Sie besonders vorsichtig, wenn Sie bereits begonnene Schnitte fortsetzen.
 - Beginnen Sie den Schnitt mit laufender Sägekette.
 - Dabei ist besonders auf die richtige Höhe des Tiefenanschlags zu achten.
 - Niemals mehrere Äste auf einmal durchsägen.
 - Achten Sie beim Entasten darauf, dass die Sägeschiene nicht mit anderen Ästen in Berührung kommt.

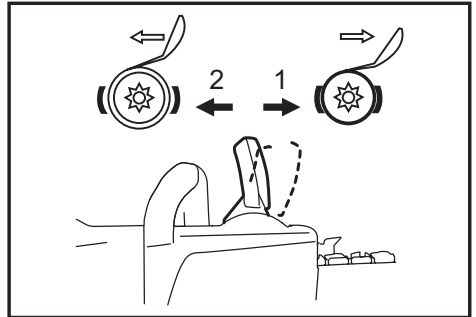
- Beim Ablängen von angrenzenden Baumstämmen fernhalten. Achten Sie stets auf die Schienenspitze.
- Verwenden Sie einen Sägebock.

Sicherheitseinrichtungen

1. Prüfen Sie vor Arbeitsbeginn immer die Funktionstüchtigkeit der Sicherheitseinrichtungen. Verwenden Sie die Kettensäge nicht, wenn die Sicherheitseinrichtungen nicht ordnungsgemäß funktionieren.

— Kettenbremse:

Die Kettensäge ist mit einer Kettenbremse ausgerüstet, die im Bruchteil einer Sekunde die Sägekette zum Stillstand bringt. Sie wird ausgelöst, wenn der Handschutz nach vorne gedrückt wird. Die Sägekette stoppt innerhalb von 0,15 s, und die Stromzufuhr zum Motor wird unterbrochen.



1. Kettenbremse aktiviert 2. Kettenbremse gelöst

— Auslaufbremse:

Die Kettensäge ist mit einer Auslaufbremse ausgestattet. Sie bewirkt, dass nach dem Loslassen des EIN/AUS-Schalters die Sägekette unmittelbar zum Stillstand kommt. Dies verhindert das gefährliche Nachlaufen der Sägekette nach dem Ausschalten.

- Der **vordere und hintere Handschutz** schützen den Bediener vor Verletzungen durch nach hinten geschleuderte Holzstücke oder durch eine gerissene Sägekette.
- Die **Schalerverriegelung** verhindert ein unbeabsichtigtes Einschalten der Kettensäge.
- Der **Kettenfangbolzen** schützt den Bediener vor Verletzungen, die durch eine abgesprungene oder gerissene Kette entstehen können.

Transport und Aufbewahrung



Bei Nichtgebrauch oder zum Transport der Kettensäge den Netzstecker ziehen und den mitgelieferten Führungsschienschutz aufsetzen. Niemals die Säge mit laufender Sägekette tragen oder transportieren.

1. Tragen Sie die Kettensäge nur am vorderen Griff, so dass die Sägeschiene nach hinten zeigt.
2. Bewahren Sie die Kettensäge in einem sicheren, trockenen und abschließbaren Raum, außerhalb der Reichweite von Kindern, auf. Lagern Sie die Kettensäge nicht im Freien.

WARTUNG

1. Ziehen Sie den Stecker aus der Steckdose, bevor Sie Einstellungen oder Wartungsarbeiten durchführen.
2. Überprüfen Sie das Stromkabel regelmäßig auf Beschädigungen der Isolierung.
3. Reinigen Sie die Kettensäge regelmäßig.
4. Veranlassen Sie bei Beschädigungen des Kunststoffgehäuses sofort eine fachgerechte Reparatur.
5. Verwenden Sie die Säge nur, wenn der Auslöseschalter ordnungsgemäß funktioniert. Lassen Sie diesen bei Bedarf fachgerecht reparieren.
6. Es dürfen unter keinen Umständen bauliche Veränderungen an der Kettensäge vorgenommen werden. Sie gefährden hierdurch Ihre Sicherheit.
7. Führen Sie ausschließlich die in dieser Betriebsanleitung beschriebenen Wartungs- oder Reparaturarbeiten durch. Alle darüber hinausgehenden Arbeiten müssen von autorisierten Servicecentern durchgeführt werden.
8. Verwenden Sie nur Original-Ersatzteile und Zubehör, die für Ihr Sägemodell bestimmt sind. Bei Verwendung von anderen Teilen besteht erhöhte Unfallgefahr.
9. Wir übernehmen keine Haftung für Unfälle oder Schäden, die durch den Einsatz von nicht zugelassenen Schienen, Sägeketten, anderen Ersatzteilen oder Zubehör entstehen.

Erste Hilfe



Arbeiten Sie niemals alleine. Eine weitere Person sollte sich stets in Rufweite befinden.

1. Halten Sie immer einen Verbandskasten zur Hand. Füllen Sie entnommenes Material sofort wieder auf.
2. Wenn Sie bei einem Unfall Hilfe anfordern, geben Sie folgende Angaben durch:
 - Wo ist der Unfall passiert?
 - Was ist passiert?
 - Wie viele Verletzte gibt es?
 - Welche Verletzungen haben diese?
 - Wer meldet den Unfall?

HINWEIS: Werden Personen mit schlechter Durchblutung zu oft Vibrationen ausgesetzt, kann es zu Schädigungen an Blutgefäßen oder des Nervensystems kommen.

Folgende Symptome können durch Vibrationen an Fingern, Händen oder Handgelenken auftreten: Einschlafen der Körperteile (Taubheit), Kribbeln, Schmerz, Stechen, Veränderung der Hautfarbe oder Haut.

Falls eines dieser Symptome auftritt, suchen Sie einen Arzt auf!

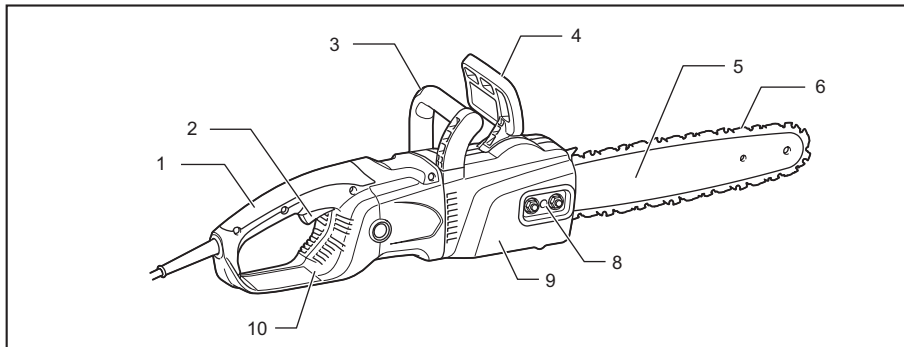
BEWAHREN SIE DIESE ANWEISUNGEN AUF.

⚠️WARNUNG: Lassen Sie sich **NIE** durch **Bequemlichkeit oder (aus fortwährendem Gebrauch gewonnener) Vertrautheit mit dem Werkzeug dazu verleiten, die Sicherheitsregeln für das Werkzeug zu missachten. Bei MISSBRÄUCLICHER Verwendung des Werkzeugs oder Missachtung der in diesem Handbuch enthaltenen Sicherheitshinweise kann es zu schweren Verletzungen kommen.**

BEZEICHNUNG DER BAUTEILE

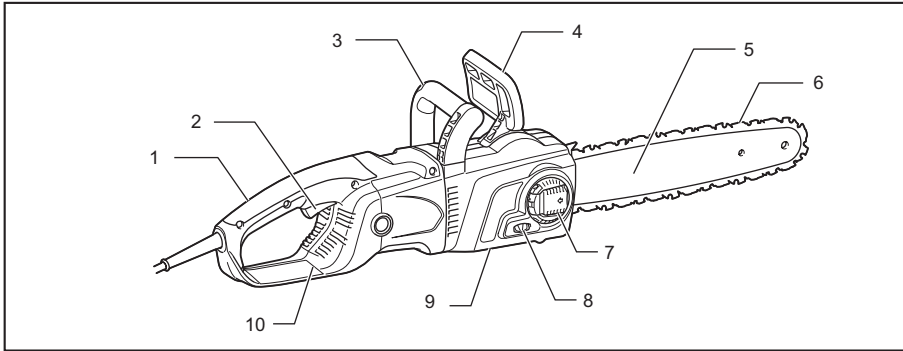
(Schraubenmutter-Modell: Der Kettenradchutz wird mit Schraubenmuttern festgezogen.)

Für Modell **ES-154, ES-164, ES-174, ES-184, ES-2131, ES-2136, ES-2141, ES-2146**

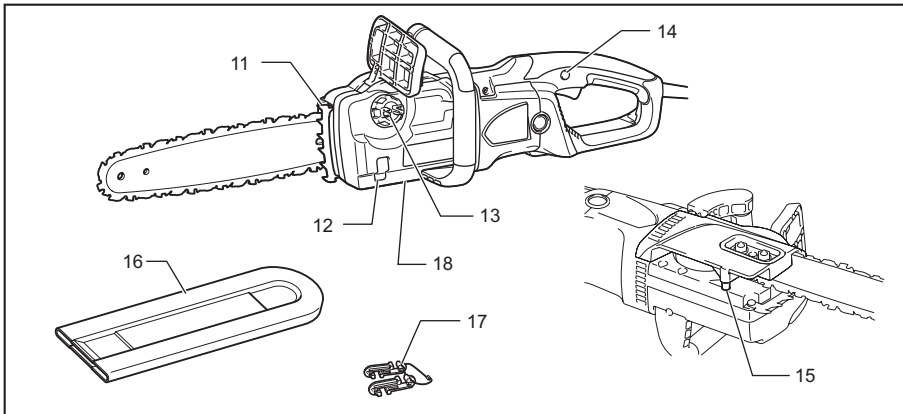


(Hebel-Modell: Der Kettenradschutz wird mit einem Hebel festgezogen.)

Für Modell ES-154 TLC, ES-164 TLC, ES-174 TLC, ES-184 TLC, ES-2131 TLC, ES-2136 TLC, ES-2141 TLC, ES-2146 TLC



(Für alle Modelle)



1	Hinterer Griff	7	Hebel	13	Öltankverschluss
2	Schalter	8	Stellschraube/-rad	14	Entsperrungstaste
3	Vorderer Griff	9	Kettenradschutz	15	Kettenfangbolzen
4	Vorderer Handschutz	10	Hinterer Handschutz	16	Führungsschienenschutz
5	Führungsschiene	11	Krallenanschlag	17	Kabelhalter
6	Sägekette	12	Ölstandsanzeige	18	Stellschraube für Ölpumpe (unten)

MONTAGE

⚠ VORSICHT:

- Ehe Sie am Werkzeug irgendwelche Arbeiten beginnen, überzeugen Sie sich immer vorher, dass es abgeschaltet und der Stecker aus der Dose gezogen ist.

Demontieren oder Montieren des Kettenradschutzes

Führen Sie zur Demontage des Kettenradschutzes die folgenden Schritte durch:

(Für Schraubenmutter-Modelle)

▶ **Abb.1**

Lösen Sie die Schraubenmutter.

(Für Hebel-Modelle)

▶ **Abb.2:** 1. Hebel 2. Kettenradschutz

Drücken und öffnen Sie den Hebel vollständig bis zum Anschlag.
Drehen Sie den Hebel gegen den Uhrzeigersinn.

Führen Sie zur Montage des Kettenradschutzes die o.g. Schritte in umgekehrter Reihenfolge durch.

Montieren und Demontieren der Sägekette

⚠ VORSICHT:

- Tragen Sie während der Montage oder Demontage der Sägekette stets Handschuhe.

Führen Sie zur Demontage der Sägekette die folgenden Schritte durch:

1. Lösen Sie den Kettenradschutz.
2. (Für Schraubenmutter-Modelle) Drehen Sie die Kettenstellschraube gegen den Uhrzeigersinn, um die Sägekettenspannung zu lockern.
(Für Hebel-Modelle) Drehen Sie das Stellrad in „-“ Richtung, um die Sägekettenspannung zu lösen.

▶ **Abb.3:** 1. Einstellschraube

▶ **Abb.4:** 1. Stellrad

3. Entfernen Sie den Kettenradschutz.
4. Entfernen Sie die Sägekette und die Führungsschiene.

Führen Sie zur Montage der Sägekette die folgenden Schritte durch:

5. Vergewissern Sie sich bezüglich der Laufrichtung der Kette. Die Pfeilmarkierung auf der Kette zeigt die Laufrichtung der Kette.

▶ **Abb.5:** 1. Kettenrad

6. Führen Sie das eine Ende der Sägekette auf die Oberseite der Führungsschiene und das andere Ende um das Kettenrad.
7. Setzen Sie die Führungsschiene auf die Motorsäge.
8. Richten Sie die Zugseite mit der Öffnung auf der Führungsschiene aus.

▶ **Abb.6:** 1. Führungsschiene 2. Loch

9. Halten Sie die Führungsschiene und drehen Sie die/das Kettenstellschraube/-rad, um die Sägekettenspannung zu regulieren.
10. Positionieren Sie den Kettenradschutz so, dass die Haken in die Öffnungen passen und der Stift in sein Gegenstück auf dem Kettenradschutz passt.

▶ **Abb.7:** 1. Haken 2. Loch 3. Stift

11. Ziehen Sie den Kettenradschutz fest.

▶ **Abb.8**

▶ **Abb.9:** 1. Hebel 2. Kettenradschutz

Einstellen der Kettenspannung

Die Sägekette kann nach vielen Betriebsstunden locker werden. Prüfen Sie daher vor der Inbetriebnahme von Zeit zu Zeit die Kettenspannung.

1. Lösen Sie den Kettenradschutz leicht.
2. Heben Sie die Spitze der Führungsschiene leicht an.
3. Drehen Sie zum Einstellen der Sägekettenspannung die/das Stellschraube/-rad.

▶ **Abb.10:** 1. Lösen 2. Anziehen 3. Kettenstellschraube 4. Führungsschiene 5. Sägekette

▶ **Abb.11:** 1. Lösen 2. Anziehen 3. Stellrad 4. Führungsschiene 5. Sägekette

4. Ziehen Sie die Sägekette an, bis die Unterseite der Sägekette in die Führungsschiene passt (siehe Kreis).
5. Heben Sie die Führungsschiene weiterhin leicht an und ziehen Sie nach dem Einstellen der Kettenspannung den Kettenradschutz fest. Vergewissern Sie sich, dass die Sägekette an der Unterseite nicht lose ist.

Vergewissern Sie sich, dass die Sägekette an der Unterseite der Schiene fest anliegt.

⚠ VORSICHT:

- Ziehen Sie die Sägekette nicht zu fest an. Eine übermäßig hohe Kettenspannung kann zur Beschädigung der Sägekette, zum Verschleiß der Führungsschiene und zum Bruch des Einstellrads führen.
- Eine zu lockere Kette kann abspringen und stellt deshalb ein Unfallrisiko dar.
- Führen Sie den Vorgang zur Montage oder Demontage der Sägekette an einem sauberen Ort durch, der frei von Sägespänen u.ä. ist.

Anschluss des Verlängerungskabels

⚠ VORSICHT:

- Vergewissern Sie sich, dass das Verlängerungskabel nicht an die Hauptsteckdose angeschlossen ist.

▶ **Abb.12:** 1. Kabelhalter 2. Werkzeugkabel 3. Verlängerungskabel 4. Netzstecker und Steckdose (Form kann je nach Land abweichen)

Sichern Sie beim Anschließen des Verlängerungskabels dieses mit dem Kabelhaken am Kabel der Kettensäge. Bringen Sie den Kabelhaken im Abstand von 100 bis 200 mm vom Stecker des Verlängerungskabels an. Dadurch wird ein versehentliches Abtrennen besser verhindert.

ARBEIT

⚠ VORSICHT:

- Halten Sie das Werkzeug mit einer Hand am hinteren Griff und mit der anderen Hand am vorderen Griff fest, wenn Sie mit dem Werkzeug arbeiten.

Einschalten

► **Abb.13:** 1. Entsperrungstaste 2. Griffschalter

⚠ VORSICHT:

- Schalten Sie das Werkzeug stets aus und ziehen Sie den Stecker, bevor Sie Einstellungen oder eine Funktionsprüfung am Ein/Aus-Schalter vornehmen.
- Achten Sie vor dem Einstecken des Netzsteckers des Werkzeugs in die Steckdose darauf, dass sich der Ein/Aus-Schalter korrekt bedienen lässt und beim Loslassen in die Position "OFF" (AUS) zurückkehrt.

Damit der Auslöseschalter nicht versehentlich gezogen wird, befindet sich am Werkzeug eine Entsperrungstaste.

Um das Werkzeug zu starten, drücken Sie zuerst die Entsperrungstaste und betätigen Sie dann den Ein/Aus-Schalter. Lassen Sie zum Ausschalten des Werkzeugs den Ein/Aus-Schalter los.

Schmierung

⚠ VORSICHT:

- Schalten Sie das Werkzeug aus und ziehen Sie den Stecker, bevor Sie die Sägekette schmieren.

► **Abb.14**

Verwenden Sie zur Schmierung der Sägekette und Schiene ein biologisch abbaubares Sägekettenöl mit Haftzusatz. Der Haftzusatz im Sägekettenöl verhindert ein zu schnelles Abschleudern des Öls von der Sägevorrichtung. Die Verwendung von Mineralölen ist nicht zulässig, da dies zu Umweltschäden führt.

⚠ VORSICHT:

- Haut- und Augenkontakt mit dem Öl vermeiden. Augenkontakt mit Öl führt zu Reizungen. Bei Augenkontakt sofort das betroffene Auge mit klarem Wasser spülen. Danach sofort einen Arzt aufsuchen.
- Verwenden Sie niemals Altöl. Altöl enthält krebserregende Wirkstoffe. Die Verunreinigungen im Altöl führen zu vorzeitigem Verschleiß der Ölpumpe, der Sägechiene und der Sägekette. Altöl ist umweltschädlich.
- Wenn die Kettensäge das erste Mal mit Kettenöl befüllt wird oder der Tank vorher komplett entleert wurde, dann unbedingt Öl bis zur Unterkante des Einfüllstutzens einfüllen. Ansonsten kann die Ölzufuhr beeinträchtigt werden.

► **Abb.15:** 1. Öltankverschluss 2. Riemen

Führen Sie zum Befüllen mit Öl die folgenden Schritte durch:

1. Säubern Sie den Bereich um den Öltankverschluss sorgfältig, um zu verhindern, dass Schmutz in den Öltank eindringt.
2. Schrauben Sie den Öltankverschluss ab und füllen Sie bis zur Unterkante des Einfüllstutzens Öl ein.
3. Schrauben Sie den Öltankverschluss wieder fest auf.
4. Wischen Sie eventuell übergelaufenes Kettenöl sorgfältig ab.

HINWEIS:

- Bei der ersten Inbetriebnahme der Kettensäge kann es bis zu zwei Minuten dauern, bis das Sägekettenöl beginnt, die Sägevorrichtung zu schmieren. Lassen Sie die Säge so lange ohne Last laufen (siehe "PRÜFUNGEN").

PRÜFUNGEN

Führen Sie vor Arbeitsbeginn die folgenden Prüfungen durch:

Überprüfung der Kettenspannung

⚠ WARNUNG:

- Ziehen Sie immer den Netzstecker, bevor Sie die Kettenspannung überprüfen und tragen Sie Schutzhandschuhe.

(Für Schraubenmutter-Modelle)

- **Abb.16:** 1. Lösen 2. Anziehen 3. Ketten-Stellschraube 4. Führungsschiene 5. Sägekette

(Für Hebel-Modelle)

- **Abb.17:** 1. Lösen 2. Anziehen 3. Stellrad 4. Führungsschiene 5. Sägekette

Vergewissern Sie sich, dass die Sägekette an der Unterseite der Schiene fest anliegt (siehe Kreis). Überprüfen Sie die Kettenspannung häufig, da sich neue Sägeketten längen.

Eine übermäßig hohe Kettenspannung kann zur Beschädigung der Sägekette, zum Verschleiß der Führungsschiene und zum Bruch der Einstellrad führen. Eine zu lockere Kette kann abspringen und stellt deshalb ein Unfallrisiko dar.

Falls die Kette zu locker ist: Spannen Sie die Kette wieder, wie unter „Einstellen der Kettenspannung“ beschrieben.

Überprüfen des Auslöseschalters

⚠ VORSICHT: Achten Sie vor dem Einstecken des Netzsteckers des Werkzeugs in die Steckdose darauf, dass sich der Ein/Aus-Schalter korrekt bedienen lässt und beim Loslassen in die Position "OFF" (AUS) zurückkehrt.

Damit der Auslöseschalter nicht versehentlich gezogen wird, befindet sich am Werkzeug eine Entsperrungstaste.

Um das Werkzeug zu starten, drücken Sie zuerst die Entsperrungstaste und betätigen Sie dann den Ein/Aus-Schalter. Lassen Sie zum Ausschalten des Werkzeugs den Ein/Aus-Schalter los.

Betätigen Sie den Ein/Aus-Schalter niemals mit Gewalt, ohne dabei die Entsperrungstaste zu drücken. Dadurch kann der Schalter beschädigt werden.

Überprüfen der Kettenbremse

HINWEIS:

- Überprüfen Sie, ob die Kettenbremse gelöst ist, falls die Kettensäge nicht anläuft. Ziehen Sie zum Lösen der Kettenbremse den Handschutz fest zurück, bis Sie ein Einrasten bemerken.

► **Abb.18:** 1. Vorderer Handschutz 2. Verriegelung 3. Entriegeln

► **Abb.19:** 1. Vorderer Handschutz 2. Entriegeln 3. Verriegelung

So prüfen Sie die Kettenbremse:

1. Halten Sie die Kettensäge beim Einschalten mit beiden Händen fest. Halten Sie die rechte Hand am hinteren Griff und die linke Hand am vorderen Griff. Vergewissern Sie sich, dass die Schiene und die Kette nicht mit irgendwelchen Objekten in Berührung kommen.
2. Drücken Sie zunächst die Entsperrungstaste, danach den Auslöseschalter. Die Sägekette läuft sofort an.
3. Drücken Sie den vorderen Handschutz mit dem Handrücken nach vorne. Vergewissern Sie sich, dass die Sägekette unverzüglich zum Stillstand kommt.

⚠ VORSICHT:

- Sollte die Sägekette nicht sofort stoppen, verwenden Sie die Säge unter keinen Umständen weiter. Wenden Sie sich an ein von DOLMAR autorisiertes Servicecenter.

Überprüfen der Auslaufbremse

Schalten Sie die Kettensäge ein.

Lassen Sie den Ein/Aus-Schalter ganz los.

Vergewissern Sie sich, dass die Sägekette innerhalb einer Sekunde zum Stillstand kommt.

⚠ VORSICHT:

- Sollte die Sägekette nicht sofort stoppen, verwenden Sie die Säge unter keinen Umständen weiter. Wenden Sie sich an ein von DOLMAR autorisiertes Servicecenter.

Überprüfung der Kettenschmierung

Überprüfen Sie vor Arbeitsbeginn den Ölstand im Tank und die Ölzufuhr.

Sie können den Ölstand im Sichtfenster wie in der Abbildung dargestellt ablesen.

► **Abb.20:** 1. Ölstandsanzeige

So prüfen Sie die Ölzufuhr:

Starten Sie die Kettensäge.

Halten Sie die laufende Sägekette ca. 15 cm über einen Baumstumpf oder den Boden. Bei ausreichender Schmierung bildet sich eine leichte Ölspur durch das abspritzende Öl.

Achten Sie auf die Windrichtung und setzen Sie sich nicht unnötig dem Schmierölnebel aus.

⚠ VORSICHT:

- Wenn sich keine Ölspur bildet, nehmen Sie die Säge nicht in Betrieb. Ansonsten wird die Lebensdauer der Sägekette verkürzt. Überprüfen Sie den Ölstand. Reinigen Sie die Ölführungsnut und die Öleintrittsbohrung in der Sägeschiene (siehe "WARTUNG").

Einstellen der Kettenschmierung

► **Abb.21**

An der Stellschraube können Sie die Ölpumpenzufuhr einstellen.

ARBEITEN MIT DER KETTENSÄGE

⚠ VORSICHT:

- Verwenden Sie immer einen vorderen Griff und einen hinteren Griff und halten Sie das Werkzeug während des Betriebs sowohl am vorderen als auch am hinteren Griff fest.
- Sichern Sie stets das zu sägende Holz. Andernfalls können Sägebruchstücke zu Verletzungen führen.

Ablängen

► **Abb.22:** 1. Krallenanschlag

Bei Ablängschnitten die Krallenanschlag wie in der Abbildung dargestellt an das zu schneidende Holz ansetzen.

Mit laufender Sägekette in das Holz sägen. Die Säge dabei am hinteren Griff hochziehen und am vorderen Griff führen. Verwenden Sie den Krallenanschlag als Drehpunkt.

Setzen Sie mit leichtem Druck auf den vorderen Griff nach. Ziehen Sie dabei die Säge etwas zurück. Den Krallenanschlag tiefer ansetzen und erneut den vorderen Griff hochziehen.

Wenn Sie mehrere Schnitte durchführen, schalten Sie die Kettensäge zwischen den Schnitten aus.

⚠ VORSICHT:

- Beim Schneiden mit der Schienenoberseite kann die Säge in Ihre Richtung ausschlagen, wenn die Sägekette einklemmt. Deshalb sollten Sie mit der Schienenunterseite sägen, da dann die Säge vom Körper weg ausschlägt.

► **Abb.23**

Schneiden Sie Holz unter Spannung zuerst auf der Druckseite (A) ein. Sägen Sie dann den Trennschnitt auf der Zugseite (B). So vermeiden Sie ein Einklemmen der Sägeschiene.

► **Abb.24**

Entasten

⚠ **VORSICHT:**

- Entastungsarbeiten dürfen nur von geschulten Personen durchgeführt werden. Es droht Verletzungsgefahr durch Rückschlag.

Beim Entasten sollte die Kettensäge möglichst am Stamm abgestützt werden. Sägen Sie nicht mit der Schienenspitze, da dies zum Rückschlag führen kann. Unbedingt auf unter Spannung stehende Äste achten. Freihängende Äste nicht von unten durchtrennen. Führen Sie Entastungsarbeiten niemals auf dem liegenden Stamm stehend durch.

Stech- und Längsschnitte

⚠ **VORSICHT:**

- Stech- und Längsschnitte dürfen nur von geschulten Personen durchgeführt werden. Verletzungsgefahr durch Rückschlag.

► **Abb.25**

Setzen Sie Längsschnitte in einem möglichst flachen Winkel an. Gehen Sie dabei besonders vorsichtig vor, da der Krallenanschlag nicht verwendet werden kann.

Fällen

⚠ **VORSICHT:**

- Fällarbeiten dürfen nur von geschulten Personen durchgeführt werden. Diese Arbeiten sind gefährlich.

Beachten Sie die lokalen Vorschriften, wenn Sie einen Baum fällen möchten.

► **Abb.26:** 1. Fällbereich

- Vor Beginn des Fällens sicherstellen, dass:
 - (1) sich im Fällbereich nur Personen aufhalten, die mit den Fällarbeiten beschäftigt sind,
 - (2) alle beteiligten Personen an beiden Seiten der Fällachse in einem Winkel von etwa 45 ° ungehindert zurückweichen können, die zusätzliche Stolpergefahr über Elektrokabel beachtet wird,
 - (3) der Stammsfuß frei von Fremdkörpern, Wurzeln und Ästen ist,
 - (4) sich in Fallrichtung in einer Entfernung von 2 1/2 Baumlängen weder Personen noch Gegenstände befinden.
- Beachten Sie bei jedem Baum Folgendes:
 - Neigungsrichtung,
 - Lose oder trockene Äste,
 - Baumhöhe,
 - Natürlichen Überhang,
 - Ob der Baum fall ist.
- Beachten Sie die Windgeschwindigkeit und -richtung. Führen Sie bei stärkeren Windböen keine Fällarbeiten durch.

- Beschneiden der Wurzelanläufe: Beginnen Sie mit dem größten Wurzelanlauf. Führen Sie zunächst den senkrechten und danach den waagerechten Schnitt durch.

► **Abb.27**

- Fallkerb schneiden: Der Fallkerb gibt dem Baum die Fallrichtung und Führung. Er wird auf der Seite angelegt, zu der der Baum fallen soll. Fallkerb möglichst bodennah anlegen. Sägen Sie zuerst den waagerechten Schnitt bis auf eine Tiefe von 1/5 - 1/3 des Stammdurchmessers. Fallkerb nicht zu groß sägen. Sägen Sie dann den schrägen Schnitt.
- Schneiden Sie Fallkerbkorrekturen auf der ganzen Breite nach.

► **Abb.28**

- Legen Sie den Fällschnitt etwas höher als die Fallkerbsohle an. Der Fällschnitt muss genau waagrecht ausgeführt werden. Lassen Sie vor dem Fallkerb ca. 1/10 des Stammdurchmessers als Bruchleiste stehen. Die Holzfasern im nicht durchtrennten Stamm dienen als Gelenkteil. Die Fasern dürfen auf keinen Fall durchtrennt werden, da sonst der Baum unkontrolliert fällt. Bringen Sie rechtzeitig Keile in den Fällschnitt ein.
- Der Fällschnitt darf nur mit Keilen aus Kunststoff oder Aluminium offengehalten werden. Die Verwendung von Eisenkeilen ist verboten.
- Nur seitwärts vom fallenden Baum aufhalten. In einem Winkel von 45 ° nach hinten vom fallenden Baum entfernen (siehe Abbildung " Fällbereich "). Achten Sie dabei auf fallende Äste.
- Ein Fluchtweg sollte geplant und bei Bedarf geräumt werden, bevor mit dem Schneiden begonnen wird. Der Fluchtweg sollte sich nach hinten und diagonal zur Rückseite der erwarteten Fallrichtung erstrecken, wie in der Abbildung dargestellt.

► **Abb.29:** 1. Fällrichtung 2. Gefahrenbereich 3. Fluchtweg

WARTUNG

⚠ **VORSICHT:**

- Bevor Sie mit der Kontrolle oder Wartung des Werkzeugs beginnen, überzeugen Sie sich immer, dass es ausgeschaltet und der Stecker aus der Steckdose herausgezogen ist.
- Tragen Sie während der Inspektion oder Wartung immer Handschuhe.
- Verwenden Sie zum Reinigen niemals Kraftstoffe, Benzin, Verdünnern, Alkohol oder ähnliches. Dies kann zu Verfärbungen, Verformungen oder Rissen führen.

Führen Sie die unten aufgeführten Wartungsarbeiten in regelmäßigen Abständen durch. Garantieansprüche werden nur dann anerkannt, wenn diese Arbeiten regelmäßig und ordnungsgemäß ausgeführt wurden. Sie dürfen nur Wartungsarbeiten durchführen, die in dieser Bedienungsanleitung beschrieben sind. Alle darüber hinausgehenden Arbeiten müssen von DOLMAR autorisierten Servicecentern durchgeführt werden.

Reinigen der Kettensäge

Reinigen Sie die Säge regelmäßig mit einem sauberen Tuch. Besonders die Griffe müssen frei von Öl sein.

Überprüfen des Kunststoffgehäuses

Führen Sie regelmäßig eine Sichtprüfung aller Gehäuseteile durch. Lassen Sie beschädigte Teile sofort und ordnungsgemäß in von DOLMAR autorisierten Servicecentern reparieren.

Schärfen der Sägekette

⚠ VORSICHT:

- Bei allen Arbeiten an der Kettensäge unbedingt den Netzstecker ziehen und Schutzhandschuhe tragen.

► Abb.30

Die Sägekette schärfen, wenn:

- Mehliges Sägespäne beim Sägen von feuchtem Holz entstehen,
- Die Sägekette auch bei stärkerem Druck nur mühevoll ins Holz zieht,
- Die Schnittkante sichtbar beschädigt ist,
- Die Säge verläuft im Holz einseitig nach rechts oder links. Die Ursache hierfür liegt in einer ungleichmäßigen Schärfung der Sägekette oder in einer einseitigen Beschädigung.

Schärfen Sie die Sägekette häufig, aber entfernen Sie dabei nur wenig Material.

Für das einfache Nachschärfen genügen meist zwei bis drei Feilenstriche. Lassen Sie nach mehrmaligem Schärfen die Sägekette in einem von DOLMAR autorisierten Servicecenter nachschärfen.

Schärfkriterien:

- Die Höhe aller Hobelzähne muss gleich sein. Verschieden hohe Hobelzähne verursachen einen rauen Kettenlauf und können zum Kettenriss führen.
- Sägekette nicht erneut schärfen, wenn die Mindestlänge der Hobelzähne von 3 mm erreicht ist. Sie müssen dann eine neue Kettensäge einbauen.
- Die Spandicke wird durch den Abstand zwischen dem Tiefenanschlag (runde Nase) und der Schnittkante bestimmt.
- Die besten Schnittergebnisse werden durch den folgenden Abstand zwischen der Schnittkante und dem Tiefenanschlag erzielt.

Kettenblatt 492 (91PX): 0,65 mm

- **Abb.31:** 1. Schnittlänge 2. Abstand zwischen Schnittkante und Tiefenanschlag 3. Mindestens 3 mm

⚠ WARNUNG:

- Ein zu großer Abstand erhöht die Rückschlaggefahr.

- Der Schärfwinkel von 30 ° muss bei allen Hobelzähnen gleich sein. Unterschiedliche Winkel verursachen einen rauen, ungleichmäßigen Kettenlauf, führen zu vorzeitigem Verschleiß und zum Kettenbruch.
 - Der Brustwinkel des Hobelzahnes wird durch die Eindringtiefe der Rundfeile bestimmt. Wenn die vorgeschriebene Feile richtig geführt wird, ergibt sich der korrekte Brustwinkel automatisch.
 - Der Brustwinkel für jede Sägekette beträgt:
Kettenblatt 492 (91PX): 80 °
- **Abb.32:** 1. Zahnbrustwinkel

Feile und Feilenführung

- Verwenden Sie zum Schärfen eine Spezial-Sägekettenrundfeile (optionales Zubehör). Normale Rundfeilen sind nicht geeignet.
- Der Durchmesser der Rundfeile für jede Sägekette beträgt:
Kettenblatt 492 (91PX): 4,0 mm
- Die Feile sollte nur im Vorwärtsstrich in den Hobelzahn greifen. Beim Zurückführen die Feile vom Hobelzahn abheben.
- Schärfen Sie den kürzesten Hobelzahn zuerst. Dann wird die Länge des kürzesten Hobelzahns zum Richtwert für alle anderen Hobelzähne auf der Sägekette.

► Abb.33

- Führen Sie die Feile wie in der Abbildung dargestellt.
- Ein Feilenhalter (optionales Zubehör) erleichtert die Feilenführung. Er besitzt Markierungen für den korrekten Schärfwinkel von 30 ° (Markierungen parallel zur Sägekette ausrichten) und begrenzt die Eindringtiefe (4/5 des Feilendurchmessers).

► Abb.34

- Nach dem Nachschärfen der Sägekette die Höhe des Tiefenanschlages mit der Kettenmessenlehre (optionales Zubehör) prüfen.

► Abb.35

- Entfernen Sie jeglichen Überstand, auch wenn noch so gering, mit einer Spezial-Flachfeile (optionales Zubehör).
- Runden Sie den Tiefenanschlag vorne wieder ab.

Reinigen der Sägeschiene und Schmieren des Umlenksterns

⚠ VORSICHT:

- Bei dieser Arbeit unbedingt Schutzhandschuhe tragen. Verletzungsgefahr an Graten.

► Abb.36

Die Laufflächen der Sägeschiene regelmäßig auf Beschädigungen überprüfen. Diese mit geeignetem Werkzeug reinigen und falls notwendig entgraten. Bei intensiver Nutzung der Kettensäge das Lager des Umlenksterns mindestens einmal wöchentlich nachschmieren. Reinigen Sie die 2 mm große Öffnung an der Sägeschienenspitze vor dem Nachschmieren sorgfältig und pressen Sie eine geringe Menge Mehrzweckfett (optionales Zubehör) in die Öffnung ein.

Reinigen der Ölführung

- **Abb.37:** 1. Ölführungsnut 2. Öleintrittsbohrung
- Reinigen Sie die Ölführungsnut und die Öleintrittsbohrung der Sägeschiene in regelmäßigen Abständen.

Neue Sägeketten

Verwenden Sie zwei bis drei Sägeketten wechselweise, damit sich Sägekette, Kettenrad und Laufflächen der Sägeschiene gleichmäßig abnutzen. Wenden Sie beim Kettenwechsel die Sägeschiene, um ein gleichmäßiges Abnutzen der Sägeschienennut zu erreichen.

⚠ VORSICHT:

- Nur für diese Säge zugelassene Ketten und Schienen verwenden (siehe „TECHNISCHE DATEN“).

- **Abb.38:** 1. Kettenrad

Bevor Sie eine neue Sägekette auflegen, überprüfen Sie den Zustand des Kettenrades.

⚠ VORSICHT:

- Ein abgenutztes Kettenrad führt an einer neuen Sägekette zu Beschädigungen. Lassen Sie das Kettenrad unbedingt auswechseln.

Setzen Sie beim Wechsel des Kettenrades immer einen neuen Sicherungsring ein.

Wartung der Ketten- und Auslaufbremse

Die Bremssysteme sind sehr wichtige Sicherheitseinrichtungen. Wie alle anderen Teile der Kettensäge unterliegen sie einem gewissen Verschleißgrad. Sie müssen regelmäßig von DOLMAR autorisierten Servicecentern überprüft werden. Diese Maßnahme dient Ihrer persönlichen Sicherheit.

Kohlenwechsel

- **Abb.39:** 1. Grenzmarke

Nehmen Sie die Kohlen regelmäßig heraus und wechseln Sie sie. Wenn sie bis zur Grenzmarke verbraucht sind, müssen sie ausgewechselt werden. Die Kohlen müssen sauber sein und locker in ihre Halter hineinfallen. Die beiden Kohlen müssen gleichzeitig ausgewechselt werden. Verwenden Sie ausschließlich gleiche Kohlen.

- **Abb.40:** 1. Kohlenhalterdeckel 2. Schraubendreher

Schrauben Sie mit einem Schraubenzieher den Kohlenhalterdeckel ab. Wechseln Sie die verschlissenen Kohlen, legen Sie neue ein und schrauben Sie den Deckel wieder auf.

Nach Austausch der Bürsten schließen Sie das Werkzeug an die Stromversorgung an und fahren Sie die Bürsten ein, indem Sie das Werkzeug etwa 10 Minuten ohne Last laufen lassen.

Aufbewahrung des Werkzeugs

Biologisch abbaubares Sägekettenöl ist nur begrenzt haltbar. Nach einer Frist von zwei Jahren ab dem Herstellungsdatum neigen Bio-Öle zu Verklebungen und verursachen dadurch Schäden an der Ölpumpe und den Öl führenden Bauteilen.

- Vor einer längeren Außerbetriebnahme den Öltank entleeren und anschließend mit einer geringen Menge Motoröl (SAE 30) befüllen.
- Lassen Sie die Kettensäge einige Zeit laufen lassen, damit alle Rückstände des Bio-Öls aus dem Tank, Ölleitungssystem und Sägevorrichtung gespült werden.

HINWEIS:

- Wenn die Kettensäge außer Betrieb genommen wird, laufen noch einige Zeit geringe Mengen von Kettenöl aus. Dies ist normal und deutet nicht auf einen Fehler hin.

Bewahren Sie die Kettensäge auf einer geeigneten Unterlage auf.

Für erneute Inbetriebnahme wieder frisches BIOTOP Sägekettenöl einfüllen.

Zur Gewährleistung von SICHERHEIT und ZUVERLÄSSIGKEIT des Produkts dürfen Reparaturen, Wartungsarbeiten und Einstellungen nur durch von DOLMAR autorisierte Servicecenter durchgeführt und ausschließlich DOLMAR-Ersatzteile verwendet werden.

PROBLEMBEBEHUNG

Prüfen Sie das Werkzeug erst selbst, bevor Sie eine Reparatur in Auftrag geben. Falls Sie vor einem Problem stehen, das nicht in der Betriebsanleitung erläutert ist, bauen Sie das Werkzeug nicht selbst auseinander. Wenden Sie sich stattdessen an ein von Dolmar autorisiertes Servicecenter.

Fehlfunktionsstatus	Mögliche Ursache	Abhilfe
Die Kettensäge startet nicht.	Keine Stromzufuhr.	An die Stromversorgung anschließen. Stromversorgung überprüfen.
	Kabel defekt.	Beenden Sie die Verwendung des Werkzeuges sofort und wenden Sie sich an ein autorisiertes Servicecenter in Ihrer Nähe.
	Fehlfunktion des Werkzeuges.	Beenden Sie die Verwendung des Werkzeuges sofort und wenden Sie sich an ein autorisiertes Servicecenter in Ihrer Nähe.
Die Kette läuft nicht.	Die Kettenbremse ist angezogen.	Lösen Sie die Kettenbremse.
Unzureichende Leistung.	Kohlebürsten abgenutzt.	Wenden Sie sich zwecks Reparatur an Ihr örtliches, autorisiertes Servicecenter.
Kein Öl auf der Sägekette.	Öltank ist leer.	Füllen Sie den Öltank.
	Ölführungsnut ist verschmutzt.	Reinigen Sie die Nut.
	Ölpumpen-Stellschraube nicht richtig eingestellt.	Stellen Sie die Ölpumpenzufuhr ein.
Die Kette stoppt nicht, selbst wenn die Kettenbremse angezogen ist.	Bremsband verschlissen.	Beenden Sie die Verwendung des Werkzeuges sofort und wenden Sie sich an ein autorisiertes Servicecenter in Ihrer Nähe.
Das Werkzeug vibriert unnormal.	Lösen Sie die Führungsschiene oder Sägekette.	Stellen Sie die Spannung der Führungsschiene und der Sägekette ein.
	Fehlfunktion des Werkzeuges.	Beenden Sie die Verwendung des Werkzeuges sofort und wenden Sie sich an ein autorisiertes Servicecenter in Ihrer Nähe.

SONDERZUBEHÖR

VORSICHT:

- Für das in diesem Handbuch beschriebene Dolmar-Werkzeug werden die folgenden Zubehör- und Zusatzteile empfohlen. Die Verwendung anderer Zubehör- und Zusatzteile kann zu Personenschäden führen. Verwenden Sie Zubehör- und Zusatzteile nur für den vorgesehenen Zweck.

Informationen zu diesem Zubehör erhalten Sie bei einem Dolmar-Servicecenter in Ihrer Nähe.

- Sägekette
- Führungsschienenschutz
- Führungsschiene
- Sägenkettenöl

HINWEIS:

- Einige der in der Liste aufgeführten Elemente sind dem Werkzeugpaket als Standardzubehör beigelegt. Diese können in den einzelnen Ländern voneinander abweichen.












RÉSZLETES LEÍRÁS








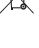
Modell		ES-154	ES-154 TLC	ES-164	ES-164 TLC	ES-174	ES-174 TLC	ES-184	ES-184 TLC
		ES-2131	ES-2131 TLC	ES-2136	ES-2136 TLC	ES-2141	ES-2141 TLC	ES-2146	ES-2146 TLC
Max. láncsebesség		14,5 m/s (870 m/min)							
Standard láncvezető	Vezetőhossz	300 mm		350 mm		400 mm		450 mm	
	Vágási hossz	260 mm		320 mm		355 mm		415 mm	
	Láncvezető típusa	Fogaskerekes végű láncvezető							
Standard fűrészlánc	Típus	492 (91PX)							
	Osztás	3/8"							
	Láncszemek száma	46		52		56		62	
Ajánlott láncvezető hossz		300 - 450 mm							
Teljes hossz (láncvezető nélkül)		505 mm							
Tiszta tömeg		5,4 kg	5,5 kg	5,5 kg	5,6 kg	5,6 kg	5,6 kg	5,7 kg	5,7 kg
Hosszabbító (opcionális)		DIN 57282/HO 7RN -F L=30 m max., 3x1,5 mm ²							

- Folyamatos kutató- és fejlesztőprogramunk eredményeként az itt felsorolt tulajdonságok figyelmeztetés nélkül megváltozhatnak.
- A tulajdonságok országról országra különbözhetnek.
- Súly, az EPTA 01/2003 eljárás szerint

Jelölés

A következőkben a berendezésen használt jelképek láthatók. A szerszám használata előtt bizonyosodjon meg arról hogy helyesen értelmezi a jelentésüket.

	Olvassa el a használati útmutatót, tartsa be a figyelmeztetéseket és a biztonsági előírásokat.
	Viseljen szemvédőt.
	Viseljen fülvédőt.
	KETTŐS SZIGETELÉS
	Figyelem: rendkívüli óvatosság és odafigyelés szükséges!
	Figyelem: azonnal húzza ki a hálózati csatlakozódugaszt, ha a kábel megsérült!
	Figyelem: visszarugás!
	Védje az esőtől és a nedvességtől!
	Vegyen fel sisakot, védőszemüveget és fülvédőt!
	Viseljen védőkesztyűt!
	Húzza ki a hálózati csatlakozódugaszt!

	Elsősegély
	Maximálisan megengedett vágási hossz
	A lánc mozgási iránya
	Láncolaj
	Láncfék kioldva
	Láncfék működésbe hozva
	Tilos!
	Csak EU-tagállamok számára Az elektromos berendezéseket ne dobja a háztartási szemétkbe! A használt elektromos és elektronikus berendezésekről szóló európai uniós irányelv és annak a nemzeti jogba való átültetése szerint az elhasznált elektromos berendezéseket külön kell gyűjteni, és környezetbarát módon újra kell hasznosítani.

Rendeltetésszerű használat

A szerszám faronkok és gömbfa vágására szolgál.

Tápfeszültség

A szerszámot kizárólag olyan egyfázisú, váltóáramú hálózatra szabad kötni, amelynek feszültsége meg egyezik az adattábláján szereplő feszültséggel. A szerszám kettős szigetelésű, ezért földelővezeték nélküli aljzatról is működtethető.

Zaj

A tipikus A-súlyozású zajszint, a EN60745 szerint meghatározva:

Hangnyomásszint (L_{pA}): 90,8 dB (A)
Hangteljesítményszint (L_{WA}): 101,8 dB (A)
Tűrés (K): 2,5 dB (A)

Viseljen fülvédőt

Vibráció

A vibráció teljes értéke (háromtengelyű vektorösszeg) EN60745 szerint meghatározva:

Működési mód: favágás
Rezgéskibocsátás (a_h): 5,2 m/s²
Tűrés (K): 1,5 m/s²

MEGJEGYZÉS: A rezgéskibocsátás értéke a szabványos vizsgálati eljárásnak megfelelően lett mérve, és segítségével az elektromos kéziszerszámok összehasonlíthatók egymással.

MEGJEGYZÉS: A rezgéskibocsátás értékének segítségével előzetesen megbecsülhető a rezgésnek való kitettség mértéke.

▲ FIGYELMEZTETÉS: A szerszám rezgéskibocsátása egy adott alkalmazásnál eltérhet a megadott értéktől a használat módjától függően.

▲ FIGYELMEZTETÉS: Határozza meg a kezelő védelmét szolgáló munkavédelmi lépéseket, melyek az adott munkafeltételek melletti vibrációs hatás becslőt mértékén alapulnak (figyelembe véve a munkaciklus elemeit, mint például a gép leállításának és üresjáratának mennyiségét az elindítások száma mellett).

EK Megfelelőségi nyilatkozat

Csak európai országokra vonatkozóan

Az EK-megfelelőségi nyilatkozat az útmutató „A” mellékletében található.

A szerszámgépekre vonatkozó általános biztonsági figyelmeztetések

▲ FIGYELEM Olvassa el az összes biztonsági figyelmeztetést és utasítást. Ha nem tartja be a figyelmeztetéseket és utasításokat, akkor áramütést, tüzet és/vagy súlyos sérülést okozhat.

Őrizzen meg minden figyelmeztetést és utasítást a későbbi tájékozódás érdekében.

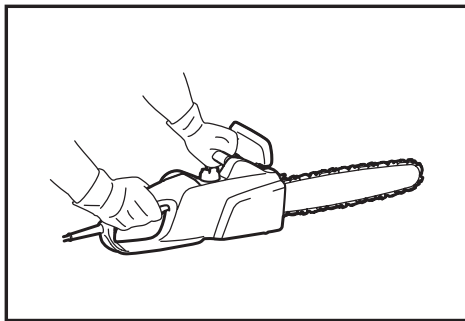
A láncfűrészre vonatkozó biztonsági figyelmeztetések

1. **A láncfűrész működésekor tartsa távol a testrészeit a fűrészlánctól. Mielőtt fűrészelni kezd a láncfűrészrel, Ellenőrizze, hogy az nem érintkezik semmivel.** Egy figyelmetlen pillanatban munka közben becsípheti a ruháját vagy valamely testrészét a láncfűrész.

2. **Mindig tartsa a fűrész jobb kézzel a hátsó fogantyújánál és bal kézzel az első fogantyún.** Ha fordított kézelhelyezést alkalmaz tartáskor, megnöveli a személyi sérülés veszélyét, amit soha ne tegyen.
3. **Az elektromos szerszámot kizárólag az szigetelt markolófelületeknél fogja meg, mivel a láncfűrész véletlenül érintkezésbe léphet rejtett elektromos vezetékekkel vagy a saját tápkábelével.** A láncfűrész áram alatt álló vezetékekkel való érintkezésekor annak fém alkatrészei is áram alá kerülnek és megrázzhatják a kezelőt.
4. **Viseljen védőszemüveget és fülvédőt. A fején, kezén, lábfejen és lábon további védőfelszerelés viselése javasolt.** A megfelelő védőruha viselete csökkenti a személyi sérülés kockázatát a törmelék által, illetve a láncfűrészrel való véletlenszerű érintkezést.
5. **Ne vágjon bele a fűrészrel egy élő fába.** Ha még áll a fa, veszélyes láncfűrészrel vágni.
6. **Mindig álljon stabilan munka közben, és a fűrész alkalmazza kizárólag stabil, biztonságos és sima felületen állva.** A csúszó vagy nem stabil felületek, mint a létrák, az egyensúly és a láncfűrész kontrolljának elvesztését okozhatják.
7. **Feszültség alatt lévő gally vágásakor legyen résen, hogy hátraugorhasson.** Amikor kioldódik a farostokból, az eséssel meglendült gally megütheti a kezelőt és / vagy a láncfűrész kezelhetetlenné teheti.
8. **Legyen nagyon óvatos ágak és suhángok vágásakor.** A gyenge anyagba beakadhat a láncfűrész és Ön felé verődhet vagy kiránthatja az egyensúlyából.
9. **A láncfűrészrel hordja az első fogantyúnál tartva, kikapcsolva, és a testétől távol. A láncfűrész szállítása vagy tárolása alatt mindig illesse rá a láncvezető tetejét.** A láncfűrész megfelelő kezelése lecsökkenti a véletlenszerű érintkezés esélyét a mozgó láncfűrészrel.
10. **A szerszám kenésekor, a lánc kifeszítésekor vagy tartózkéscsere alatt kövesse az utasításokat.** A nem szakszerűen kifeszített vagy megkent lánc elszakadhat vagy megnöveli a visszarúgás kockázatát.
11. **A fogantyúkat tartsa szárazon, tisztán és olaj- és zsírmentesen.** A zsíros, olajos fogantyúk csúszósak, és a kontroll elvesztését okozzák.
12. **Csak fa vágására alkalmazza. Ne használja a láncfűrész a rendeltetésétől eltérő módon. Például: Ne alkalmazza a láncfűrész műanyag, kőművesmunka vagy nem fa építőanyagokra.** A láncfűrész nem rendeltetészerű alkalmazása veszélyes helyzetet okozhat.
13. **A visszarúgás okai és annak megelőzése a kezelő által:**
Visszarúgást okozhat, ha a láncvezető orra vagy hegye egy tárggyal érintkezik, vagy ha a fa lezárul és becsípi a fűrész a vágásba.
A hegyvel való érintkezés időnként fordított reakciót idéz elő, felfele rugva a láncvezetőt és hátra a kezelő felé.
Ha a láncfűrész a láncvezető felső részénél csipődik be, ez gyorsan hátrafelé tolhatja a láncvezetőt a kezelő irányába.

Ezek a reakciók mindenike a fűrész kontrolljának elvesztését okozhatja, ami komoly személyi sérülést okozhat. Ne támaszkodjon kizárólag a fűrészbe épített biztonsági szerkezetre. Lánzfűrész kezelőként tegyen meg néhány lépést a vágási munkálatok balesetmentessége és a sérülés elkerülésének érdekében. A visszarúgás a szerszám helytelen használatának és/vagy a hibás megmunkálási eljárásnak vagy a nem megfelelő munkaviszonyok eredménye és az alább leírt óvintézkedések betartásával elkerülhető:

- Szilárdan markolja meg a szerszámot úgy, hogy hüvelykujjai és ujjai ráfőnődjenak a lánzfűrész markolataira. Mindkét kezét a fűrészre tartva irányítsa be úgy a testét és karjait, hogy ellen tudjon állni a visszarúgó erőnek. A visszarúgó erőket a kezelő kézben tarthatja, ha megteszi a megfelelő óvintézkedéseket. Ne engedje elszabadulni a lánzfűrész.



- Ne próbáljon kinyújtózva vágást végrehajtani, és ne vágjon vállmagasság felett. Így megakadályozható a vágópál csúcsának véletlen érintkezése, és a lánzfűrész jobban irányítható váratlan helyzetekben is.
- Kizárólag a gyártó által meghatározott lánfűvezetőt és láncot használjon. A nem megfelelő lánfűvezető és lánc lánccsakadás-hoz és visszarúgáshoz vezethet.
- Kövesse a gyártó élelési és karbantartási utasításait. A mélységmérő magasságának csökkentése növelt visszarúgást okozhat.

KIEGÉSZÍTŐ BIZTONSÁGI ELŐÍRÁSOK

1. Olvassa el a Használati utasítást, hogy megismerkedjen a lánzfűrész működésével.
2. Mielőtt először használja a lánzfűrész, legyen tisztában annak használatával. Ha ez nem lehetséges, akkor a munka megkezdése előtt legalább gyakoroljon egy kicsit egy fűrészbakra fektetett, fatörzsön.
3. 18 év alatti fiatalok vagy gyerekek nem használhatják a lánzfűrész. 16 év feletti fiatalok mentesülhetnek ezen tilalom alól, ha szakember részvételével betanításban részesülnek.
4. A lánzfűrészszel való munkavégzés nagy fokú összpontosítást igényel. Ne használja a lánzfűrész, ha nem érzi jól magát vagy rossz a közérzete. Minden munkát nyugodtan és elővigyázatosan végezzen.
5. Soha ne végezzen munkát alkohollal, kábítószer vagy gyógyszer hatása alatt.

Megfelelő használat

1. A lánzfűrész kizárólag faanyagok fűrészelésére szolgál. Ne használja másra, például műanyag vagy porózus beton vágására.
2. A lánzfűrész csak a jelen Használati utasításban leírt műveletek végzésére használja. **Ne** használja például sövényvágásra vagy hasonló célokra.
3. A lánzfűrész nem használható erdészeti munkákra, pl. élőfa kivágására vagy gallyazására. A lánzfűrész csatlakozószínőrra nem biztosítja a kezelő számára az ilyesfajta munkák végzéséhez szükséges mozgékonyt és biztonságot.
4. A lánzfűrész nincs ipari felhasználásra tervezve.
5. Ne terhelje túl a lánzfűrész.

Személyi védelmi eszközök

1. A munkaruha testhezállónak kell legyen, de ne akadályozza a mozgást.
2. Munkavégzéshez viselje az alábbi védőruházatot:
 - Bevizsgált védősisakot, ha fennáll az ágak vagy hasonló tárgyak lehullásának veszélye;
 - Arcmaszkot vagy védőszemüveget;
 - Alkalmas zajvédelmi felszerelést (fülvédőt, méretre szabott vagy formázható fül dugót). Kérésre oktávartomány-elemzést végzünk.
 - Tartós, bőrből készült védőkesztyűt;
 - Erős anyagból készült hosszúnadrágot;
 - Vágásálló kezeslábat;
 - Csúszásmentes talppal, acél orr-résszel és vágásálló szövetbéléssel ellátott védőlábbelit;
 - Gázálarcot, ha a munkavégzés porképződéssel jár (pl. száraz fa fűrészelése).

Védekezés az áramütéssel szemben



A lánzfűrész esős időben vagy nedves környezetben nem használható, mivel az elektromos motor nem vízálló.

1. A lánzfűrész csak bevizsgált elektromos hálózatban felszerelt csatlakozójelzőbe szabad bedugni. Ellenőrizze, hogy a hálózati feszültség megegyezik a szerszám adattábláján feltüntetettel. Ügyeljen rá, hogy egy 16 A-es hálózati biztosíték fel legyen szerelve. A kültéren használt lánzfűrészeket olyan áramvédő kapcsolóhoz kell csatlakoztatni, melynek munkaárama nem haladja meg a 30 mA-t.



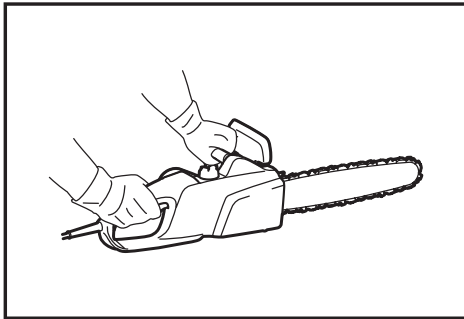
Ha a csatlakozószínőrről megsérült, azonnal húzza ki a hálózati csatlakozódugaszt az aljzatból.

A biztonságos munkavégzés módja

1. Mielőtt elkezdheti a munkát, ellenőrizze, hogy a lánzfűrész megfelelő üzemi állapotban van és hogy az állapota megfelel a munkavédelmi előírásoknak. Különösen ellenőrizze, hogy:
 - A lánfcék megfelelően működik;
 - A leállító fék megfelelően működik;
 - A lánfűvezető és a lánckerékvédő helyesen vannak felszerelve;
 - A lánc az előírásoknak megfelelően meg van élezve és feszítve;
 - A hálózati kábel és a hálózati csatlakozódugasz sérülésmentes;

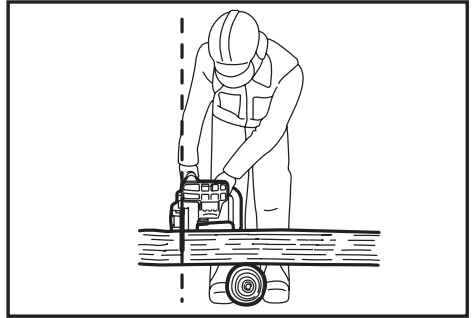
Tájékoztató az "ELLENŐRZÉSEK" fejezetből.

2. Mindig győződjön meg róla, hogy megfelelő keresztmetszetű hosszabbító kábelt használ (lásd MŰSZAKI ADATOK fejezet). Kábeldob használata esetén a kábelt mindig teljes hosszában tekerje le a dobról. A láncfűrész kültérben való használatakor ellenőrizze, hogy a hosszabbító kábel kültéri használatra való és névleges adatai ennek megfelelnek.
3. Tartsa távol a kábelt a vágási területtől, és úgy igazítsa a kábelt, hogy vágás közben ne akadjon el az ágakon és hasonló akadályokon.
4. Ne használja a láncfűrész gyúlékony por vagy gázok jelenlétében, mivel a motor szikrázik, és ezért **robbanásveszélyes**.
5. Csak szilárd talajon dolgozzon, ahol jól meg tudja vetni a lábát. Különösen ügyeljen az akadályokra (ilyen pl. a kábel is) a munkaterületen. Legyen nagyon óvatos ott, ahol a nedvesség, jég, hó, a frissen kivágott fa vagy a kérge csúszóssá tehetik a talajt. Létrán vagy fa tetején állva ne használja a fűrész.
6. Legyen különösen elővigyázatos, ha lejtős területen dolgozik; a guruló fatörzsek és ágak potenciális veszélyforrást jelentenek.
7. Soha ne végezzen vágást vállmagasság fölött.
8. **Bekapcsoláskor és a használat közben mindig két kézzel tartsa a láncfűrészt.** Jobb kezével a hátsó fogantyút, bal kezével pedig az előlő fogantyút fogja. Markolja szilárdan a fogantyúkat az ujjával. A láncvezető és a lánc nem érhet hozzá semmihez a fűrész bekapcsolásakor.



9. Tisztítsa meg a munkaterületet az idegen tárgyaktól, pl. homoktól, kövektől, szegektől, vezetőektől, stb. Az idegen tárgyak kárt tehetnek a láncvezetőben és a láncban, és veszélyes visszarágásokat idézhetnek elő.
10. Legyen különösen óvatos amikor drótkerítés közelében dolgozik a fűrészsel. Ha belevág a kerítésbe, a fűrész visszarághat.
11. Ne vágjon bele a talajba.
12. A fadarabokat egyenként fűrészelje, ne kötegekben vagy rakásban.
13. Kerülje vékony gallyak vagy gyökerek fűrészelését, mivel ezek belegabalyodhatnak a láncfűrészbe. Az egyensúly elvesztése veszélyes.
14. Fűrészelt fa vágásához használjon biztonságos alátámasztást (fűrészbakot).
15. Ne használja a láncfűrész fadarabok vagy más tárgyak lefeszítésére vagy félresöpítésére.

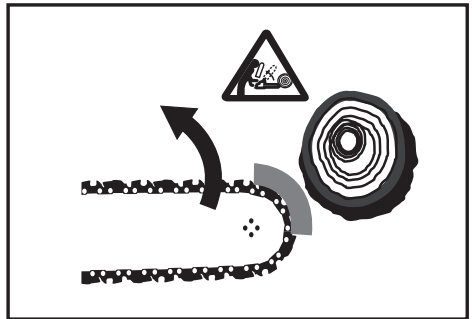
16. A láncfűrész úgy irányítsa, hogy semelyik testrésze ne keresztezze a láncfűrész mozgáspályájának meghosszabbított vonalát (lásd az ábra).



17. Amikor a fűrészelési munkák végzése közben mozognia kell, mindig hozza működésbe a láncfűt, nehogy a fűrészláncot véletlenül be lehessen indítani. Szállításkor az előlő markolatnál fogja meg a láncfűrész, és ne tartsa az ujját a kapcsolón.
18. Áramtalanítsa a szerszámot amikor szünetet tart vagy őrizetlenül hagyja a láncfűrész. Csak olyan helyen hagyja a láncfűrész, ahol az nem jelenthet veszélyt.

Visszarúgás

1. A láncfűrész használata során veszélyes visszarágások fordulhatnak elő. Visszarúgás akkor következik be, amikor a láncvezető hegye (különösen annak felső része) fába vagy más kemény tárgyba ütközik. Ekkor a láncfűrész a kezelő irányába lökődik.



2. A visszarágások elkerülése érdekében tartsa be a következőket:
 - Soha ne kezdje a vágást a láncvezető hegyével.
 - Soha ne használja fűrészelésre a láncvezető hegyét. Legyen különösen óvatos, amikor egy már megkezdett vágásba szeretne folytatni.
 - A vágást mozgó láncsal kezdje el.
 - Mindig megfelelően élezze meg a fűrészláncot. Külön ügyeljen arra, hogy a mélységmérő a helyes magasságba legyen beállítva.
 - Soha ne vágjon egyszerre több ágat.
 - Gallyászkor ügyeljen arra, hogy közben a láncvezető ne érjen hozzá más ágakhoz.

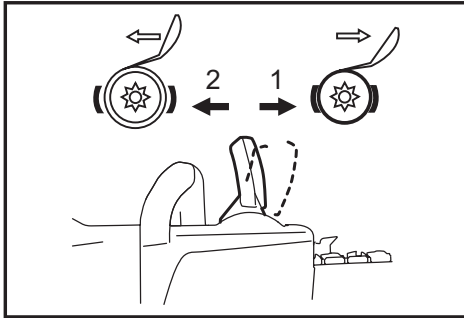
- Aprításkor maradjon távol a szomszédos rönköktől. Mindig figyeljen oda a lánctvezető hegyére.
- Használjon fűrészbakot.

Biztonsági eszközök

1. A munka megkezdése előtt minden esetben ellenőrizze, hogy a biztonsági eszközök működőképesek. Ne használja a lánctfűrészt, ha a biztonsági eszközök nem működnek megfelelően.

— Lánctfék:

A lánctfűrészlánc lánctfékkel van felszerelve, amely a másodperc törtérse alatt megállítja a fűrészláncot. Ez akkor lép működésbe, amikor a kézvédőt előretolja. Ilyenkor a fűrészlánc 0,15 másodpercen belül megáll, és megszakad a motor áramellátása.



1. A lánctfék bekapcsolva 2. A lánctfék kiengedve

— Leállító fék:

A lánctfűrészlánc leállító fékkel van felszerelve, amely azonnal megállítja a fűrészláncot, amikor a BE/KI kapcsolót felengedik. Ez meggátolja, hogy kikapcsoláskor a fűrészlánc tovább fusson, és így veszélyhelyzetet teremtsen.

- Az **előlső és hátsó kézvédők** védik a kezelő kezét a szétrepülő fadaraboktól és az esetlegesen elszakadó fűrészláncotól.
- A **kireteszelőgomb** megakadályozza a lánctfűrészlánc véletlenszerű beindítását.
- A **lánctfogó** a kezelőt a lánct leugrása vagy szakadása esetén fellépő sérülésektől védi.

Szállítás és tárolás



Amikor a lánctfűrészt nem használja vagy szállítani szeretné, húzza ki a hálózati csatlakozódugaszt az aljzatból, és szerelje fel a szerszámoszték mellékelte lánctvezető burkolatot. Mozgó fűrészlánccal soha ne vigye vagy szállítsa a fűrészt.

1. A lánctfűrészt csak az előlső fogantyúnál fogva szabad vinni, hátrafelé néző lánctvezetővel.
2. A lánctfűrészt biztonságos, száraz és zárható helyiségben kell tárolni, ahol gyerekek nem tudnak hozzáférni. Ne tárolja a lánctfűrészt a szabadban.

KARBANTARTÁS

1. Húzza ki a csatlakozódugaszt az aljzatból, mielőtt bármilyen beállítást vagy karbantartást végez a szerszámon.

2. Rendszeresen ellenőrizze a csatlakozózsínór szigetelésének sérüléseit.
3. Rendszeresen tisztítsa meg a lánctfűrészt.
4. A műanyag burkolat bármilyen sérülését szakszerűen és azonnal javíttassa meg.
5. Ne használja a lánctfűrészt, ha a kioldókapcsoló nem működik megfelelően. Javíttassa meg azt.
6. A lánctfűrészt semmilyen körülmények között és semmilyen módon nem szabad átalakítani. Ezzel saját biztonságát sodorná veszélybe.
7. Ne végezzen semmilyen karbantartási és javítási munkát a jelen használati utasításban leírtakon kívül. Bármilyen műveletet valamelyik, arra felhatalmazott szakszerviznek kell elvégeznie.
8. Csak az adott típusú fűrészhöz való, eredeti pótalkatrészeket és tartozékokat szabad használni. Másfajta gyártmányú alkatrészek használata növeli a balesetveszélyt.
9. Semmilyen felelősséget nem vállalunk a nem engedélyezett lánctvezetőket, fűrészláncokat vagy más pótalkatrészeket és tartozékokat használatából eredő balesetekért vagy károkért.

Elsősegély



Soha ne dolgozzon egyedül. Mindig dolgozzon úgy, hogy egy másik személy legyen hallótávolságon belül.

1. Mindig legyen a közelben elsősegélyláda. Az elsősegélyládából felhasznált anyagokat haladéktalanul pótolni kell.
2. Amikor baleset esetén segítséget hív, adja meg az alábbi adatokat:
 - Hol történt a baleset?
 - Mi történt?
 - Hány személy sérült meg?
 - Milyen sérülései vannak?
 - Ki jelenti be a balesetet?

MEGJEGYZÉS: A keringési rendellenességben szenvedő egyének véredényei idegrendszerre a túlzott mértékű vibráció hatására megsérülhetnek.

A vibráció a következő tünetek megjelenését okozhatja az ujjakban, a kézben vagy a csuklóban: aluszékonyság (zsibbadtság), bizsergő érzés, fájdalom, szúró fájdalomérzet, a bőr- vagy annak színének elváltozása.

Ha ezen tünetek bármelyikét észleli önmagán, forduljon orvoshoz!

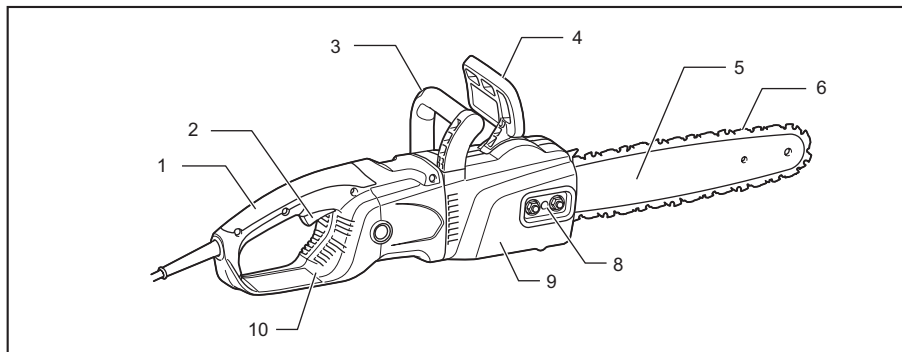
ŐRIZZE MEG EZEKET AZ UTASÍTÁSOKAT.

▲FIGYELMEZTETÉS: NE HAGYJA, hogy a kényelem vagy a termék (többszörői használatból adódó) mind alaposabban ismerete váltsa fel az adott termékre vonatkozó biztonsági előírások szigorú betartását. A HELYTELEN HASZNÁLAT és a használati útmutatóban szereplő biztonsági előírások megszegése súlyos személyi sérülésekhez vezethet.

AZ ALKATRÉSZEK MEGNEVEZÉSE

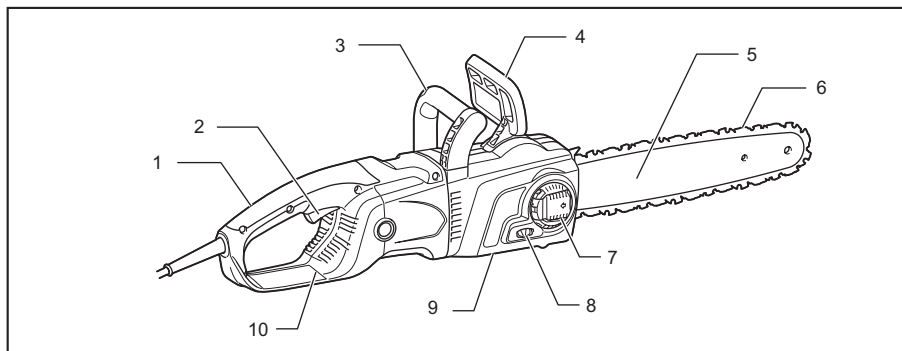
(Csavaranyával rendelkező típus: A lánckerék fedele csavaranyával van rögzítve.)

A modellhez ES-154, ES-164, ES-174, ES-184, ES-2131, ES-2136, ES-2141, ES-2146

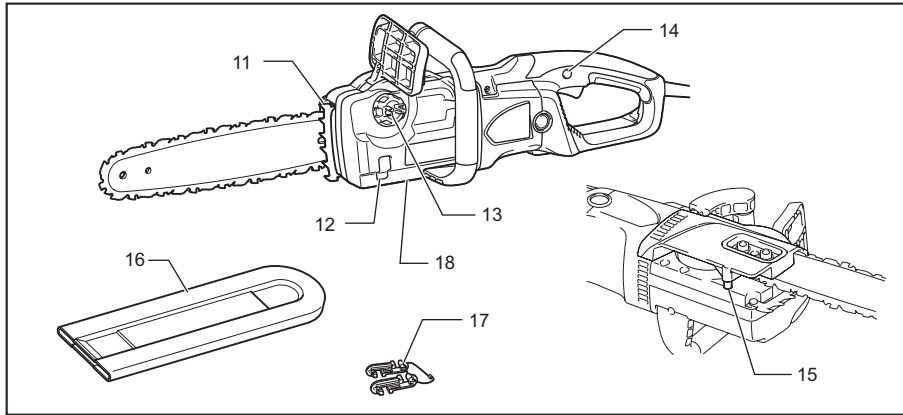


(Karral rendelkező típus: A lánckerék fedele karral van rögzítve.)

A modellhez ES-154 TLC, ES-164 TLC, ES-174 TLC, ES-184 TLC, ES-2131 TLC, ES-2136 TLC, ES-2141 TLC, ES-2146 TLC



(Minden típusnál)



1	Hátulsó markolat	7	Kar	13	Olajbeöntő nyílás fedele
2	Kapcsoló kioldógomb	8	Szabályzócsavar/tárcsa	14	Kireteszelőgomb
3	Elülső markolat	9	Lánckerék fedél	15	Láncfogó
4	Elülső kézvédő	10	Hátulsó kézvédő	16	Láncvezető burkolat
5	Vezetőrúd	11	Rönktámasz	17	Vezetéktartó horog
6	Fűrészlánc	12	Olajszint ellenőrző ablak	18	Az olajszivattyú szabályzócsavarja (alul)

ÖSSZESZERELÉS

⚠ VIGYÁZAT:

- Mindig bizonyosodjon meg a szerszám kikapcsoltsa és a hálózathoz nem csatlakoztatott állapotáról mielőtt bármilyen munkát végezze rajta.

A lánckerék fedelének eltávolítása vagy felszerelése

A lánckerék fedelének eltávolításához hajtsa végre a következő lépéseket:

(Csavaranyával rendelkező típusnál)

► Ábra1

Lazítsa meg a csavaranyát.

(Karral rendelkező típusnál)

► Ábra2: 1. Kar 2. Lánckerék fedél

Nyomja meg és nyissa ki teljesen a kart ütközésig. Fordítsa el a kart az óramutató járásával ellentétes irányba.

A lánckerék fedelének felszereléséhez a fenti lépéseket fordított sorrendben hajtsa végre.

A fűrészlánc eltávolítása és felhelyezése

⚠ VIGYÁZAT:

- Mindig viseljen kesztyűt a fűrészlánc felhelyezésekor vagy eltávolításakor.

A fűrészlánc eltávolításához hajtsa végre a következő lépéseket:

- Lazítsa meg a lánckerék fedelét.
- (Csavaranyával rendelkező típusnál) Forgassa el a láncszabályzó csavart az óramutató járásával ellentétes irányba, hogy engedjen a fűrészlánc feszességén.
(Karral rendelkező típusoknál) Forgassa el a szabályzó tárcsát a „-” irányba a fűrészlánc feszességének oldásához.

► Ábra3: 1. Beállítócsavar

► Ábra4: 1. Szabályzó tárcsa

- Távolítsa el a lánckerék fedelét.
- Távolítsa el a láncot és a láncvezetőt a láncfűrészről.

A fűrészlánc felhelyezéséhez hajtsa végre a következő lépéseket:

- Ellenőrizze a lánc irányát. A láncra lévő nyíl jel mutatja a lánc irányát.

► Ábra5: 1. Lánckerék

6. Illesse a fűrészlánc egyik végét a láncvezető tetejére, a másik végét pedig a lánckerék köré.
 7. Tegye a láncvezetőt a láncfűrészre.
 8. Igazítsa a feszítő csúszkát a láncvezető furatához.
- ▶ **Ábra6:** 1. Vezetőrúd 2. Furat
9. Fogja meg a láncvezetőt, és forgassa el a szabályozócsavart/tárcsát a fűrészlánc feszességének beállításához.
 10. Helyezze el a lánckerék fedelét úgy, hogy az akasztók illeszkedjenek a furatok mentén, és a csap a párházhoz kerüljön a lánckerék fedelén.
- ▶ **Ábra7:** 1. Övtartó 2. Furat 3. Pecek
11. Szorítsa meg a lánckerék fedelét.
- ▶ **Ábra8**
- ▶ **Ábra9:** 1. Kar 2. Lánckerék fedél

A fűrészlánc feszességének beállítása

Több órás használat után a fűrészlánc meglazulhat. A használat előtt időről időre ellenőrizze a fűrészlánc feszességét.

1. Finoman lazítsa meg a lánckerék fedelét.
 2. Emelje meg kissé a láncvezető tetejét.
 3. Forgassa el a szabályozócsavart/tárcsát a fűrészlánc feszességének beállításához.
- ▶ **Ábra10:** 1. Lazítsa meg 2. Rögzíteni
3. Láncszabályzó csavar 4. Vezetőrúd
5. Fűrészlánc
- ▶ **Ábra11:** 1. Lazítsa meg 2. Rögzíteni
3. Szabályozótárcsa 4. Vezetőrúd
5. Fűrészlánc

4. Szorítsa meg a fűrészláncot, amíg a fűrészlánc alja nem illeszkedik a láncvezető sinre (lásd a kört).
5. Tartsa meg finoman a láncvezetőt, és szorítsa meg a lánckerék fedelét a láncfeszesség beállítását követően. Győződjön meg róla, hogy a fűrészlánc nem lazul meg az alsó oldalán.

Győződjön meg róla, hogy a fűrészlánc pontosan illeszkedik a vezető alsó részéhez.

⚠ VIGYÁZAT:

- Ne húzza túl a fűrészláncot. A túlságosan feszes fűrészlánc elszakadhat, a láncvezető túlzott kopását és a szabályozótárcsa törését okozhatja.
- A túl laza lánc leugorhat a láncvezetőről, ami balesetveszélyt jelent.
- A fűrészlánc felhelyezését és eltávolítását tiszta, fűrészporthoz és hasonló anyagoktól mentes helyen végezze el.

A hosszabbító kábel használata

⚠ VIGYÁZAT:

- Ügyeljen rá, hogy a hosszabbító kábel ne legyen az elektromos hálózathoz kapcsolva.

- ▶ **Ábra12:** 1. Vezetéktartó horog 2. A szerszám vezetőke 3. Hosszabbító kábel 4. Dugasz és aljzat (az alakja országtól függően eltérő lehet)

A hosszabbító kábel használatakor rögzítse azt a láncfűrész kábeléhez a kábelakasztó segítségével.

Rögzítse a kábelakasztót körülbelül 100–200 mm-re a hosszabbító kábel csatlakozójától. Ez segít elkerülni a véletlen szétkapcsolódást.

ÜZEMELTETÉS

⚠ VIGYÁZAT:

- A szerszám használatakor szilárdan fogja azt a jobb kezével a hátsó markolatnál, a baljal pedig az előlső markolatnál.

A kapcsoló használata

- ▶ **Ábra13:** 1. Kireteszelőgomb 2. Kioldókapcsoló

⚠ VIGYÁZAT:

- Mielőtt ellenőriz valamilyen funkciót a kioldókapcsolón, mindig ellenőrizze, hogy a szerszám ki van kapcsolva és le van választva a hálózatról.
- A szerszám hálózatra csatlakoztatása előtt mindig ellenőrizze hogy a kapcsoló kioldógombja megfelelően mozog és visszatér a kikapcsolt (OFF) állapotba elengedése után.

A kioldókapcsoló véletlen meghúzásának elkerülésére egy kireteszelőgomb van felszerelve.

A szerszám bekapcsolásához nyomja le a kireteszelőgombot, majd húzza meg a kioldókapcsolót. A leállításához engedje fel a kioldókapcsolót.

Kenés

⚠ VIGYÁZAT:

- A fűrészlánc olajozása előtt minden esetben ellenőrizze, hogy a szerszám ki van kapcsolva és áramtalanítva van.

- ▶ **Ábra14**

A fűrészláncot és a vezetőt adhéziós adalékot tartalmazó, biológiailag lebomló fűrészláncolajjal olajozza. A fűrészláncolajban található adhéziós adalék meggátolja, hogy a fűrész túl gyorsan ledobja az olajat. Ásványi olajokat nem szabad használni, mert azok károsak a környezetre.

⚠ VIGYÁZAT:

- Kerülje el, hogy az olaj bőrrel vagy szemmel érintkezzen. Szembe jutása irritációt okoz. Az olaj szembe jutása esetén azonnal öblítse ki a szemét tiszta vízzel és forduljon orvoshoz.
- Soha ne használjon fáradtolajat. A fáradtolaj rákkeltő anyagokat tartalmaz. A fáradtolajban található szennyezők az olajszivattyú, a láncvezető és a lánc gyorsabb elhasználódását okozzák. A fáradtolaj károsítja a környezetet.
- Amikor a láncfűrészbe először tölt olajat, vagy újra feltölti a tartályt úgy, hogy előtte ki volt ürítve, a töltőnyak alsó széléig öntse az olajat. Ellenkező esetben az olajtovábbítás romolhat.

- ▶ **Ábra15:** 1. Olajbeöntő nyílás fedele 2. Heveder

Az olaj betöltéséhez hajtsa végre a következő lépéseket:

1. Tisztítsa meg gondosan az olajbeöntő nyílás környezetét, nehogy bármilyen szennyeződés a tartályba jusson.
2. Csavarja le az olajbeöntő nyílás fedelét és töltsse fel olajjal a tartályt a töltőnyak alsó széléig.
3. Csavarja vissza az olajbeöntő nyílás fedelét.
4. Gondosan törölje le az esetlegesen lecsöppent láncolajat.

MEGJEGYZÉS:

- A láncfűrész első használatakor akár két percre is szükség van ahhoz, hogy a láncolaj kenni kezdje a láncot. Működtesse a fűrészterhelés nélkül addig, amíg ez meg nem történik (lásd "ELLENŐRZÉSEK").

ELLENŐRZÉSEK

A munka megkezdése előtt végezze el a következő ellenőrzéseket:

A láncfeszesség ellenőrzése

▲ FIGYELMEZTETÉS:

- A láncfeszesség ellenőrzésének megkezdése előtt mindig áramtalanítsa a szerszámot és vegyen fel védőkesztyűt.

(Csavaranyával rendelkező típusnál)

- **Ábra16:** 1. Lazítsa meg 2. Rögzíteni
3. Láncszabályozó csavar 4. Vezetőrúd
5. Fűrészlánc

(Karral rendelkező típusnál)

- **Ábra17:** 1. Lazítsa meg 2. Rögzíteni
3. Szabályozótárcsa 4. Vezetőrúd
5. Fűrészlánc

Győződjön meg róla, hogy a fűrészlánc pontosan illeszkedik a vezető alsó részéhez (lásd a kört).

A láncfeszességet gyakran ellenőrizze, mert az új láncok megnyúlhatnak.

A túlságosan feszes fűrészlánc elszakadhat, a láncvezető túlzott kopását és a szabályozótárcsa törését okozhatja.

A túl laza lánc leugorhat a láncvezetőről, ami balesetveszélyt jelent.

Ha a lánc túl laza: Tájékoztadjon „A fűrészlánc feszességének beállítása” fejezetből és állítsa be a lánc feszességét ismét.

A kapcsoló működésének ellenőrzése

- ▲ **VIGYÁZAT:** A szerszám hálózatra csatlakoztatása előtt mindig ellenőrizze hogy a kapcsoló kioldógombja megfelelően mozog és visszatér a kikapcsolt (OFF) állapotba elengedése után.

A kioldókapcsoló véletlen meghúzásának elkerülésére egy kireteszelőgomb van felszerelve.

A szerszám bekapcsolásához nyomja le a kireteszelőgombot, majd húzza meg a kioldókapcsolót. A leállításához engedje fel a kioldókapcsolót.

Ha nem nyomta be a kireteszelőgombot, ne húzza túl erősen a kioldókapcsolót. Ez a kapcsoló törését okozhatja.

A láncfék ellenőrzése

MEGJEGYZÉS:

- Ha a láncfűrész nem indul el, akkor ellenőrizze a láncfék kioldott állapotát. A láncfék kioldásához húzza erősen hátrafelé a kézvédőt, amíg megérzi annak beakadását.

- **Ábra18:** 1. Elülső kézvédő 2. Elreteszelés
3. Kioldás

- **Ábra19:** 1. Elülső kézvédő 2. Kioldás
3. Elreteszelés

A következő módon ellenőrizze a láncfékét:

1. Bekapcsoláskor a láncfűrész erősen fogja mindkét kezével. A hátsó markolatot jobb kézzel, az elülső markolatot pedig a balal fogja. Gondoskodjon arról, hogy a láncvezető és a lánc ne érjen semmihez.
2. Előbb nyomja le a kireteszelőgombot, majd a kioldókapcsolót. A láncfűrész azonnal bekapcsol.
3. Nyomja előre az első kézvédőt a kézfejjével. Ellenőrizze, hogy a fűrészlánc azonnal leáll.

▲ VIGYÁZAT:

- Ha a fűrészlánc nem áll le azonnal, semmilyen körülmények között se használja a fűrész. Forduljon a DOLMAR valamelyik felhatalmazott szakszervizéhez.

A leállító fék ellenőrzése

Kapcsolja be a láncfűrész.

Teljesen engedje fel a kioldókapcsolót. Ellenőrizze, hogy a fűrészlánc egy másodpercen belül leáll.

▲ VIGYÁZAT:

- Ha a fűrészlánc nem áll le azonnal, semmilyen körülmények között se használja a fűrész. Forduljon a DOLMAR valamelyik felhatalmazott szakszervizéhez.

A láncolajozó ellenőrzése

A munka megkezdése előtt ellenőrizze az olajsintet a tartályban és az olajtovábbítást.

Az olajsint az ábrán látható nézőüvegen át ellenőrizhető.

- **Ábra20:** 1. Olajsint ellenőrző ablak

Az olajtovábbítást a következő módon ellenőrizze:

Indítsa be a láncfűrész.

A fűrész működése közben tartsa a fűrészláncot körülbelül 15 cm-re egy fatörzs vagy a talaj fölé. Megfelelő kenés esetén a szétpermetezett olaj vékony olajnyomot hagy.

Figyeljen oda a szélirányra, és ne tegye ki magát fölöslegesen az olajpermetnek.

▲ VIGYÁZAT:

- Ha nem alakul ki az olajnyom, akkor ne használja a fűrész. Ellenkező esetben a lánc élettartama lecsökken. Ellenőrizze az olajsintet. Tisztítsa meg az olajtovábbító hornyot és az olajadagoló nyílást a láncvezetőn (tájékoztadjon a "KARBANTARTÁS" fejezetből).

A lánckenés beállítása

► Ábra21

Az olajszivattyú szállítási teljesítménye a szabályzócsavarral állítható be.

MUNKAVÉGZÉS A LÁNCFŰRÉSSZEL

▲VIGYÁZAT:

- Mindig használja az elülső markolatot és a hátsó markolatot, és erősen tartsa a szerszámot az elülső markolatnál és a hátsó markolatnál fogva a munka során.
- Mindig rögzítse a vágandó fát, ellenkező esetben a levágott részek személyi sérülést okozhatnak.

Aprítás

► Ábra22: 1. Rönktámasz

Az aprító vágásokhoz fektesse az ábrán is látható rönktámaszt a vágni kívánt rönkre.

A bekapszolt fűrészláncsal vágjon bele a fába a hátsó markolattal emelve a fűrész és az elülsővel irányítva azt. A rönktámaszt használja forgástengelyként.

Folytassa a vágást úgy, hogy kissé lenyomja az elülső markolatot, ami által kicsit visszaengedi a fűrész.

Mozgassa tovább a rönktámaszt lefelé a fatörzsben, és emelje fel újra az elülső markolatot.

Ha több vágást végez, akkor a vágások közt kapcsolja ki a fűrész.

▲VIGYÁZAT:

- Ha a vágáshoz a lánccvezető felső élét használja, akkor a lánccvezető eltérülhet Ön felé ha a láncc beszorul. Emiatt inkább az alsó éllet vágjon, amikor a fűrész eltérüléskor a testétől távolodni fog.

► Ábra23

A megfeszített fát előbb az összenyomott oldalán (A) vágja. Ezután a befejező vágást a megfeszített oldalán (B) végezze. Ezzel meggátolja, hogy a lánccvezető beszoruljon.

► Ábra24

Gallyazás

▲VIGYÁZAT:

- Gallyazást csak erre kiképzett személyek végezhetnek. A visszarúgás lehetősége miatt a művelet veszélyes.

Gallyazáskor támassza meg a lánccvezető törzsön, ha lehetséges. Ne vágjon a lánccvezető hegyével, mert ekkor a fűrész visszarúghat.

Különösen figyeljen oda a megfeszült ágakra. Ne vágjon olyan ágakat alulról, amelyek nincsenek megtámasztva.

Gallyazáskor ne álljon a kidöntött fatörzsre.

Feltárás és rosttal párhuzamos vágás

▲VIGYÁZAT:

- A feltárást és a rostokkal párhuzamos vágásokat csak speciálisan kiképzett személyek végezhetik. Az esetleges visszarúgás sérüléseket okozhat.

► Ábra25

A rostokkal párhuzamos vágást olyan kis szögben végezze amilyenben csak lehetséges. A vágást a lehető legnagyobb körültekintéssel végezze, mert a rönktámasz nem használható.

Kivágás

▲VIGYÁZAT:

- Kivágást csak erre kiképzett személyek végezhetnek. A munka veszélyes.

Fa kivágásakor tartsa be a helyi előírásokat.

► Ábra26: 1. Vágási terület

— A fakivágási művelet megkezdése előtt ellenőrizze a következőket:

- (1) Csak a kivágásban résztvevő személyek vannak a közelben;
- (2) Minden érintett személy rendelkezik akadálymentes visszavonulási útvonallal, a dőlési tengelytől mindkét oldalon körülbelül 45 °-os nagyságú területről. Figyelembe vette az elektromos vezetékek átszakításából adódó további veszélyeket;
- (3) A törzs alsó részénél nincsenek idegen tárgyak, gyökerek és ágak;
- (4) Nincsenek személyek vagy tárgyak a fa magasságának 2 1/2-szeresével egyező távolságon belül a fa dőlésének irányában.

— Minden fa esetén vegye figyelembe a következőket:

- Dőlés iránya;
- Meglazult vagy száraz ágak;
- A fa magassága;
- Természetes túlnyúlás;
- A fa korhadt vagy nem.

— Vegye figyelembe a szél sebességét és irányát. Ne végezzen fakivágást, ha erős szellőkéseket tapasztal.

— A kiálló gyökerek lenyesése: Kezdje a legnagyobb gyökerekkel. Előbb a függőleges vágást végezze el, ezután a vízszintest.

► Ábra27

— Hajk vágása: A hajk meghatározza a fa dőlésének irányát és vezeti a fát. Ezt azon az oldalon kell vágni, amelyre a fa dőlni fog. A hajkot a talajhoz lehető legközelebb kell kivágni. Először készítse el a vízszintes vágatot a törzs átmérőjének 1/5 -1/3 részével megegyező mélységben. A hajk ne legyen túl nagy. Ezután készítse el a ferde vágatot.

— A hajkon módosítást csak annak teljes szélességében végezzen.

► Ábra28

- A hátsó vágatot kicsit magasabban vágja, mint a hajk alsó vágatát. A hátsó vágat pontosan vízszintes kell legyen. A hátsó vágat és a hajk között hagyjon a törzs átmérőjének körülbelül 1/10 részével megegyező távolságot. A rönk át nem vágott részében található farostok zsanérként szolgálnak. Semmilyen körülmények között ne vágja át a fa zsanéért alkotó rostjait, mert akkor a fa dőlése irányíthatatlanná válik. Idejében tegyen éket a hátsó vágatba.
- A hátsó vágatba csak műanyag vagy alumínium éket szabad helyezni. Vas ékek használata tilos.
- Álljon a dőlő fától oldalt. Hagyja szabadon a dőlő fa mögötti területet 45 °-os szögben a fa tengelyétől mindkét oldalon (tájékozódjon a "dőlési terület" ábráról). Figyeljen oda a leeső ágakra.
- A vágás megkezdése előtt meg kell tervezni egy menekülési útvonalat és szükség esetén meg kell azt tisztítani. A menekülési útvonalnak a fa várható esési vonalától hátra és átlósan kell lennie, az ábrán látható módon.

- **Ábra29:** 1. Esési irány 2. Veszélyes zóna
3. Menekülési útvonal

KARBANTARTÁS

▲ VIGYÁZAT:

- Mindig bizonyosodjék meg arról hogy a szerzőszám kikapcsolt és a hálózatra nem csatlakoztatott állapotban van mielőtt a vizsgálatához vagy karbantartásához kezdene.
- A szerzőszám átvizsgálásához vagy karbantartásához mindig vegyen fel védőkesztyűt.
- Soha ne használjon gázolajt, benzint, hígítót, alkoholt vagy hasonló anyagokat. Ezek elszíneződést, alakvesztést vagy repedést okozhatnak.

A következőkben leírt karbantartási műveleteket rendszeresen végezze el. A garancia csak akkor érvényes, ha ezeket a műveleteket rendszeresen és megfelelően elvégezték.

A felhasználó csak az ebben a kézikönyvben leírt karbantartási munkálatokat végezheti el. Bármilyen más műveletet a DOLMAR valamelyik felhatalmazott szakszervizének kell elvégeznie.

A láncfűrész tisztítása

A láncfűrész rendszeresen tisztítsa meg egy tisztító-kendővel. A markolatok esetében különösen figyeljen oda az olajmentességre.

A műanyag burkolat ellenőrzése

A burkolat minden részét rendszeresen nézze át. Ha bármelyik alkatrészt megsérült, azonnal javíttassa meg a megfelelő módon a DOLMAR valamelyik felhatalmazott szakszervizében.

A fűrészlánc élezése

▲ VIGYÁZAT:

- Mindig áramtalanítsa a készüléket és vegyen fel védőkesztyűt amikor munkákat végez a fűrészlánccon.

► Ábra30

Élezze meg a fűrészláncot, ha:

- Lisztszerű fűrészpor képződik nedves fa vágásakor;
- A lánc nehezen hatol be a fába, még ha erős nyomást alkalmaznak is;
- A vágóélen látható sérülések vannak;
- A fűrész balra vagy jobbra húz a fában. Az ilyen viselkedés oka a fűrészlánc egyenetlen élezése, vagy csak az egyik oldal sérülése.

Gyakran élezze a fűrészláncot, de mindig csak egy kevés anyagot távolítson el.

Két vagy három húzás egy reszelővel általában elegendő a szokásos újraélezéshez. Miután a fűrészlánc többször újraélezte, éleztesse meg a DOLMAR arra felhatalmazott szakszervizében.

Az élezés feltételei:

- Az összes vágóhossznak meg kell egyeznie. Az eltérő hosszúságú vágószemek meggátolják, hogy a lánc simán fusson, és a lánc szakadását okozhatják.
- Ne élezze a láncot, ha a vágószem hossza elérte a minimális, 3 mm-es értéket. Ekkor egy új láncot kell felrakni.
- A forgács vastagságát a mélységmérő (kerek nyúlvány) és a vágóél közötti távolság határozza meg.
- A legjobb eredmény akkor érhető el, ha a vágóél és a mélységmérő közötti távolság a következőképpen alakul.

492 (91PX) láncél: 0,65 mm

- **Ábra31:** 1. Vágási hossz 2. A vágóél és a mélységmérő közötti távolság 3. Legalább 3 mm

▲ FIGYELMEZTETÉS:

- A túl nagy távolság növeli a visszarúgás kockázatát.

- Az élezési szögnek állandó, 30 °-os értékűnek kell lennie minden vágószem esetében. Ha a szögek eltérőek, akkor a lánc futása akadozó és egyenetlen lesz, a kopás megnő, és a lánc elszakadhat.
- A vágószem oldallapjának szögét a kerek reszelő behatolási mélysége határozza meg. A reszelő megfelelő használata esetén az oldallap szöge automatikusan a szükséges mértékűvé válik.
- A vágószem oldallapjának szöge az egyes fűrészláncok esetében a következő:

492 (91PX) láncél: 80°

- **Ábra32:** 1. Oldallap szöge

Reszelő és a reszelő vezetése

- A fűrészláncok élezéséhez speciális kerek reszelőt (külön rendelhető kiegészítő) használjon. A normál kerek reszelők nem megfelelőek.
- A fűrészláncok kerek reszelőinek átmérői a következőképpen alakulnak:
492 (91PX) láncél: 4,0 mm
- A reszelőnek csak az előretolásakor kell anyagot eltávolítania a vágószemből. Visszahúzásakor emelje fel a reszelőt a vágószemről.
- Előbb a legrövidebb vágószemet élezze meg. Ezután ennek a legrövidebb vágószemnek a hossza válik standard méretté a láncfűrész összes többi vágószeme számára.

► Ábra33

- A reszelőt az ábrán látható módon vezesse.
- A reszelőt könnyebb mozgatni, ha reszelőfogót (opcionális kiegészítő) használ. A reszelőfogón meg van jelölve a helyes, 30 °-os élezési szög (a jelzéseket igazítsa a fűrészláncal párhuzamosan) és korlátozva van a behatolási mélység (a reszelő átmérőjének 4/5-ére).

► Ábra34

- A lánc megélezése után ellenőrizze a mélységmérő magasságát a láncellenőrző eszközzel (opcionális kiegészítő).

► Ábra35

- Távolítsa el az esetleges sorját, bármilyen kevés is legyen az, egy speciális lapos reszelővel (opcionális kiegészítő).
- Újból kerekítse le a mélységmérő előlő részét.

A láncvezető tisztítása és az előlő lánckerék kenése

▲ VIGYÁZAT:

- Ehhez a művelethez mindig vegyen fel védőkesztyűt. A sorja sérülést okozhat.

► Ábra36

A láncvezető futófelületen rendszeresen ellenőrizze a sérüléseket. Tisztítsa meg a megfelelő eszközzel, és távolítsa el a sorját ha szükséges. Ha láncfűrész gyakran használja, akkor legalább hetente egyszer zsírozza be az előlő lánckerék csapágyát. Mielőtt felhelyezi a friss kenőanyagot, gondosan tisztítsa meg a láncvezető végén található 2 mm-es lyukat, majd nyomjon egy kevés univerzális zsírt (opcionális kiegészítő) a lyukba.

Az olajtovábbító tisztítása

► Ábra37: 1. Olajterelő horony 2. Olajadagoló nyílás

- Tisztítsa meg az olajterelő hornyot és az olajadagoló nyílást a láncvezetőn szabályos időközönként.

Új fűrészláncok

Váltogasson két vagy három fűrészláncot, hogy a fűrészlánc, a lánckerék és a láncvezető futófelületeinek kopása egyenletes legyen. Fordítsa meg a láncvezetőt a lánc cseréjekor, hogy a láncvezető kopása egyenletes legyen.

▲ VIGYÁZAT:

- Csak az ehhez a szerszámtípushoz elfogadott láncokat és láncvezetőket használjon (tájékoztódjon a „MŰSZAKI ADATOK” című fejezetből).

► Ábra38: 1. Lánckerék

Mielőtt felrakja az új fűrészláncot, ellenőrizze a lánckerék állapotát.

▲ VIGYÁZAT:

- Az elkopott lánckerék károsítja az új fűrészláncot. Ebben az esetben cseréltesse ki a lánckeréket.

A fogaskerék cseréjekor mindig új reteszelőgyűrűt helyezzen fel.

A lánc és a leállító fék karbantartása

A fékezőrendszerek nagyon fontos biztonsági eszközök. Mint a láncfűrész bármely egyéb alkatrésze, ezek is bizonyos mértékű kopásnak vannak kitéve. Ezeket a fékezőrendszereket rendszeresen ellenőriznie kell a DOLMAR valamelyik felhatalmazott szakszervizének. Tartsa be ezt az előírást a saját biztonsága érdekében.

A szénkefék cseréje

► Ábra39: 1. Határjelzés

A szénkefék cserélje és ellenőrizze rendszeresen. Cserélje ki azokat amikor lekopnak egészen a határjelzésig. Tartsa tisztán a szénkefékét és biztosítsa hogy szabadon mozoghassanak tartójukban. Mindkét szénkefét egyszerre cserélje ki. Használjon egyforma szénkefékét.

► Ábra40: 1. Kefetartó sapka 2. Csavarhúzó

Csavarhúzó segítségével távolítsa el a kefetartó sapkákat. Vegye ki a kopott szénkefékét, tegye be az újakat és helyezze vissza a kefetartó sapkákat.

A szénkefék cseréje után működtesse a szerszámgépet üresjáraton körülbelül 10 percig.

A szerszám tárolása

A biológiailag lebomló láncolaj csak korlátozott ideig tárolható. Két évvel az előállításukat követően a biológiai olajok tapadási minősége elkezd csökkenni, emellett károsítani fogják az olajszivattyút és az olajozó rendszer alkatrészeit.

- Ha hosszabb ideig nem használja a láncfűrész, ürítse ki az olajtartályt, és tölts fel egy kevés motorolajjal (SAE 30).
- Rövid ideig működtesse a láncfűrész, hogy kiöblítse a biológiai olaj maradványait a tartályból, olajozórendszerből és a fűrészelő mechanizmusból.

MEGJEGYZÉS:

- Ha a láncfűrész nem használja, abból bizonyos ideig kevés mennyiségű láncolaj szivárog ki. Ez normális jelenség, és nem utal meghibásodásra.

A láncfűrész megfelelő felületen tárolja. Mielőtt újból használni kezdi a láncfűrész, tölts azt fel friss BIOTOP láncfűrészolajjal. A termék BIZTONSÁGÁNAK és MEGBÍZHATÓSÁGÁNAK fenntartása érdekében a javításokat és más karbantartásokat vagy beállításokat a DOLMAR hivatalos szervizközpontjában kell elvégezni, kizárólag DOLMAR cserealkatrészek használatával.

HIBAEHÉLYZETEK

Mielőtt a szervizhez fordulna, először végezzen saját maga is átvizsgálást. Ha olyan problémát talál, amire a kézikönyv nem tartalmaz magyarázatot, ne próbálja meg szétszedni az eszközt. Ehelyett forduljon a Dolmar valamelyik felhatalmazott szakszervizéhez.

Meghibásodás állapota	Lehetséges ok	Megoldás
A láncfűrész nem indul be.	Nincs tápellátás.	Csatlakoztassa a tápellátást. Ellenőrizze a tápellátást.
	Meghibásodott kábel.	Azonnal fejezze be a szerszám használatát, és forduljon az illetékes, helyi szakszervizhez.
	A szerszám hibás működése.	Azonnal fejezze be a szerszám használatát, és forduljon az illetékes, helyi szakszervizhez.
A lánc nem indul be.	Működésbe lépett a láncfék.	Oldja ki a láncféket.
Elégtelen teljesítmény.	Elkopott a szénkefe.	Javításért forduljon a kijelölt helyi szervizhez.
Nincs olaj a láncon.	Üres az olajtartály.	Töltse fel az olajtartályt.
	Beszennyeződött az olajadagoló horony.	Tisztítsa meg a hornyot.
	Az olajszivattyú szabályzócsavarja helytelenül van beállítva.	Állítsa be az olajszivattyú szállítási teljesítményét.
A lánc nem áll le a láncfék működtetése ellenére sem.	Elkopott a fékszalag.	Azonnal fejezze be a szerszám használatát, és forduljon az illetékes, helyi szakszervizhez.
A szerszám rezgése rendellenes.	Lazítsa meg a láncvezetőt vagy a fűrészláncot.	Állítsa be a láncvezető és a fűrészlánc feszesességét.
	A szerszám hibás működése.	Azonnal fejezze be a szerszám használatát, és forduljon az illetékes, helyi szakszervizhez.

OPCIONÁLIS KIEGÉSZÍTŐK

VIGYÁZAT:

- Ezen kiegészítők és tartozékok használata javasolt a Dolmar szerszámmal a kézikönyvben megadott módon. Bármilyen más kiegészítő vagy tartozék használata a személyi sérülés kockázatával jár. A kiegészítőt vagy tartozékot csak a rendeltetése szerint használja.

Ha segítségre vagy további részletekre van szüksége a tartozékokkal kapcsolatban, akkor kérjen segítséget a helyi Dolmar szervizközponttól.

- Fűrészlánc
- Láncvezető burkolat
- Láncvezető
- Fűrészláncolaj

MEGJEGYZÉS:

- A listán felsorolt néhány kiegészítő megtalálható az eszköz csomagolásában standard kiegészítőként. Ezek országonként eltérőek lehetnek.

TECHNICKÉ ÚDAJE

Model		ES-154	ES-154 TLC	ES-164	ES-164 TLC	ES-174	ES-174 TLC	ES-184	ES-184 TLC
		ES-2131	ES-2131 TLC	ES-2136	ES-2136 TLC	ES-2141	ES-2141 TLC	ES-2146	ES-2146 TLC
Max. rýchlosť reťaze		14,5 m/s (870 m/min)							
Štandardná vodiaca tyč	Dĺžka lišty	300 mm		350 mm		400 mm		450 mm	
	Dĺžka rezu	260 mm		320 mm		355 mm		415 mm	
	Typ vodiacej lišty	Lišta s ozubeným koncom							
Štandardná pílová reťaz	Druh	492 (91PX)							
	Stúpanie závitů	3/8"							
	Počet vodiacich článkov	46		52		56		62	
Odporúčaná dĺžka vodiacej tyče		300 - 450 mm							
Celková dĺžka (bez vodiacej tyče)		505 mm							
Hmotnosť netto		5,4 kg	5,5 kg	5,5 kg	5,6 kg	5,6 kg	5,6 kg	5,7 kg	5,7 kg
Predlžovací kábel (voliteľný)		DIN 57282/HO 7RN -F L=30 m max., 3x1,5 mm ²							

- Vzhľadom k neustálemu výskumu a vývoju tu uvedené technické údaje podliehajú zmenám bez upozornenia.
- Technické údaje sa môžu pre rozne krajiny líšiť.
- Hmotnosť podľa postupu EPTA 01/2003

Symbol

Nižšie sú uvedené symboly, s ktorými sa môžete pri použití nástroja stretnúť. Je dôležité, aby ste skôr, než s ním začnete pracovať, pochopili ich význam.

	Prečítajte si návod na obsluhu a dodržiavajte výstrahy a bezpečnostné pokyny.
	Používajte ochranu očí.
	Používajte ochranu uší.
	DVOJITÁ IZOLÁCIA
	Pozor: je potrebná zvláštna opatrosť a pozornosť!
	Pozor: ak je kábel poškodený, okamžite vytiahnite sieťovú zásuvku!
	Pozor: spätný náraz!
	Chráňte pred dažďom a vlhkosťou!
	Používajte helmu, okuliare a chrániče sluchů!
	Používajte ochranné rukavice!
	Vytiahnite elektrickú zástrčku!

	Prvá pomoc
	Maximálna prípustná dĺžka rezu
	Smer pohybu reťaze
	Reťazový olej
	Brzda reťaze uvoľnená
	Brzda reťaze aktivovaná
	Zakázané!
	Len pre štáty EÚ Nevyhadzujte elektrické zariadenia do komunálneho odpadu! Podľa európskej smernice o nakladaní s použitými elektrickými a elektronickými zariadeniami a zodpovedajúcich ustanovení právnych predpisov jednotlivých krajín je nutné elektrické zariadenia po skončení ich životnosti triediť a odovzdať na zberné miesto vykonávajúce environmentálne kompatibilné recyklovanie.

Určené použitie

Tento nástroj je určený na rezanie stavebného dreva a brvien.

Napájanie

Náradie by malo byť pripojené jedine k prívodu elektrickej energie s hodnotou napätia rovnakou, ako je uvedená na štítku s názvom zariadenia, pričom náradie môže byť napájané jedine jednofázovým striedavým prúdom. Je vybavené dvojistou izoláciou a preto sa môže používať pri zapojení do zásuviek bez uzemňovacieho vodiča.

Hluk

Typická hladina akustického tlaku pri záťaži A určená podľa EN60745:

Hladina akustického tlaku (L_{pA}): 90,8 dB (A)

Hladina akustického výkonu (L_{WA}): 101,8 dB (A)

Odchýlka (K): 2,5 dB (A)

Používajte chrániče sluchu

Vibrácie

Celková hodnota vibrácií (trojosový vektorový súčet) určená podľa normy EN60745:

Pracovný režim: rezanie dreva

Emisie vibrácií (a_h): 5,2 m/s²

Odchýlka (K): 1,5 m/s²

POZNÁMKA: Deklarovaná hodnota emisií vibrácií bola meraná podľa štandardnej skúšobnej metódy a môže sa použiť na porovnanie jedného náradia s druhým.

POZNÁMKA: Deklarovaná hodnota emisií vibrácií sa môže použiť aj na predbežné posúdenie vystavenia ich účinkom.

VAROVANIE: Emisie vibrácií počas skutočného používania elektrického náradia sa môžu odlišovať od deklarovanej hodnoty emisií vibrácií, a to v závislosti na spôsoboch používania náradia.

VAROVANIE: Nezabudnite označiť bezpečnostné opatrenia s cieľom chrániť obsluhu, a to tie, ktoré sa zakladajú na odhade vystavenia účinkom v rámci reálnych podmienok používania (berúc do úvahy všetky súčasti prevádzkového cyklu, ako sú doby, kedy je náradie vypnuté a kedy beží bez záťaženia, ako dodatok k dobe zapnutia).

Vyhlasenie o zhode ES

Len pre krajinu Európy

Vyhlasenie o zhode ES sa nachádza v prílohe A tohto návodu na obsluhu.

Všeobecné bezpečnostné predpisy pre elektronáradie

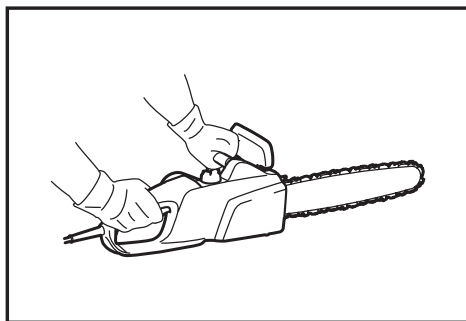
DUPOZORNENIE Prečítajte si všetky upozornenia a inštrukcie. Nedodržavanie pokynov a inštrukcií môže mať za následok úraz elektrickým prúdom, požiar alebo vážne zranenie.

Všetky pokyny a inštrukcie si odložte pre prípad potreby v budúcnosti.

Bezpečnostné výstrahy pre reťazovú pílu

- Ak je motor v prevádzke, nepribližujte sa žiadnou časťou tela k reťazovej pile. Pred puspením reťazovej píly skontrolujte, či sa píla ničoho nedotýka.** Chvilka nepozornosti počas práce s reťazovou pilou môže zapríčiniť zamotanie vášho odevu alebo tela do reťaze píly.
- Reťazovú pílu vždy držte pravou rukou za zadnú rukoväť a ľavou rukou za prednú rukoväť.** Pri opačnom držaní reťazovej píly sa zvyšuje riziko osobného poranenia, preto by sa nemalo nikdy používať.
- Elektrické náradie uchopte za izolované úchopné povrchy, pretože pilová reťaz môže prísť do styku so skrytým vedením alebo vlastným káblom.** Pilové reťaze, ktoré prídu do kontaktu so „živým“ vedením môžu spôsobiť „vodivosť“ nechránených kovových súčastí náradia s dôsledkom zásahu obsluhy elektrickým prúdom.
- Používajte chránič zraku a sluchu. Odporúča sa používať ďalšie ochranné vybavenie pre hlavu, ruky, nohy a chodidlá.** Primeraný ochranný odev znižuje riziko osobného poranenia od odletujúcich triesok spôsobeného náhodným kontaktom s reťazovou pilou.
- Nepoužívajte reťazovú pílu na strome.** Pri používaní reťazovej píle na strome môže dojsť k osobnému poraneniu.
- Vždy používajte vhodnú obuv a pracujte s reťazovou pilou, len ak stojíte na pevnom, bezpečnom a rovnom povrchu.** Pri pošmyknutí alebo práci na nestabilnom povrchu môže dojsť k strate rovnováhy alebo kontroly nad reťazovou pilou.
- Pri rezaní napnutého konára dávajte pozor na spätný svih.** Pri uvoľnení napätia vo vláknach dreva môže uvoľnená vetva udrieť obsluhujúceho a/alebo spôsobiť stratu kontroly na reťazovou pílu.
- Pri rezaní krikov a porastu buďte zvlášť opatrní.** Tenké materiály sa môžu zachytiť o reťaz píly a sľahnúť smerom k vám alebo spôsobiť stratu rovnováhy.
- Reťazovú pílu prenášajte vo vypnutom stave za prednú rukoväť a držte ju pritom od tela.** Pri prenášaní alebo odložení reťazovej píly vždy nasadzte kryt vodiacej lišty. Správne zaobchádzanie s reťazovou pilou znižuje pravdepodobnosť náhodného kontaktu s pohybujúcou sa reťazou píly.
- Pri mazaní, nastavovaní napnutia reťaze a výmene príslušenstva postupujte podľa pokynov.** Nesprávne napnutá alebo namazaná reťaz sa môže pretrhnúť alebo zvýšiť riziko spätného nárazu.
- Rukoväte udržiavajte suché, čisté a bez oleja a masťoty.** Mastne alebo zaolejšované rukoväte sú šmykľavé a môžu spôsobiť stratu kontroly.
- Režte len drevo.** Nepoužívajte reťazovú pílu na iné ako určené účely. Napríklad: nepoužívajte reťazovú pílu na rezanie plastov, muriva alebo nedrevených stavebných materiálov. Pri používaní reťazovej píly na iné ako stanovené účely by mohlo dôjsť k nebezpečným situáciám.

13. **Príčiny spätného nárazu a ako im obsluha zabráni:** Keď sa predná časť alebo hrot vodiacej lišty dotkne nejakého objektu alebo keď drevo uzavrie a priškrtí reťaz pily v reze, môže dôjsť k spätnému nárazu. Pri kontakte hrotu môže v niektorých prípadoch dôjsť k náhlej spätnej reakcii a úderu vodiacej lišty nahor a dozadu smerom k obsluhujúcej osobe. Pri priškrtení reťaze pily pozdĺž horného okraja vodiacej lišty môže dôjsť k rýchlemu nadskočeniu vodiacej lišty dozadu smerom k obsluhujúcej osobe. Obe tieto reakcie môžu spôsobiť stratu vašej kontroly nad pilou a následne vážne osobné poranenie. Nespoliehajte sa výhradne na bezpečnostné vybavenie namontované na pile. Ako užívateľ reťazovej pily musíte vykonať niekoľko krokov, aby pri rezaní nedošlo k nehode alebo poraneniu. Spätný náraz je výsledok nesprávneho používania nástroja a/alebo nesprávnych prevádzkových postupov alebo podmienok a možno sa mu vyhnúť vykonaním príslušných protipatrení uvedených nižšie:
- **Udržiavajte pevný úchop, aby palce a prsty uzavierali rukoväť reťazovej pily a obe ruky boli na pile s takým postojom tela a ramena, ktorý umožňuje odolávať silám spätných nárazov.** Sily spätných nárazov môže ovládať obsluhujúci, ak vykoná primerané opatrenia. Reťazovú pilu nepustíte.



- **Nezasahujte ani nerezte nad úroveň plic.** Tým dopomôžete zabrániť náhodnému kontaktu s hrotom a zabezpečíte si lepšie ovládanie pily v neočakávaných situáciách.
- **Používajte jedine náhradné lišty a reťaze, ktoré uvádza výrobca.** Použitie nesprávnych náhradných lišt a reťazí môže mať za následok roztrhnutie reťaze a/alebo spätý náraz.
- **Pri ostrení a údržbe dodržiavajte pokyny výrobcu pre reťazovú pilu.** Pri zmenšení výšky hĺbkového dorazu sa môže zvýšiť pravdepodobnosť spätného nárazu.

ĎALŠIE BEZPEČNOSTNÉ ZÁSADY

1. Prečítajte si návod na používanie a oboznámte sa s činnosťou reťazovej pily.
2. Pred prvým použitím reťazovej pily si pripravte pokyny na jej používanie. Ak to nie je možné, pred začatím práce si aspoň nacvičte rezanie okrúhleho brvna na stojane.

3. Reťazovú pilu nesmú používať deti a osoby mladšie ako 18 rokov. Osoby staršie ako 16 rokov môžu toto obmedzenie obísť, ak podstúpia zaškolenie pod dohľadom odborníka.
4. Pri práci s reťazovou pilou sa vyžaduje vysoký stupeň koncentrácie. Ak sa necítite dobre alebo ste unavení, nepracujte s pilou. Všetky úkony vykonávajte pokojne a dôkladne.
5. Nikdy nepracujte pod vplyvom alkoholu, drog alebo liekov.

Správne používanie

1. Táto reťazová píla je určená výhradne a rezanie dreva. Nepoužívajte ju na rezanie plastu alebo porézneho betónu.
2. Reťazovú pilu používajte len pre operácie popísané v tomto návode na použitie. **Nepoužívajte ju, napríklad, na orezávanie živého plotu a podobné účely.**
3. Reťazová píla sa nesmie používať na lesnícke práce, t.j. na porážanie a odvetvovanie dreva na pni. Kábel reťazovej pily nezaisťuje obsluhu dostatočnou mobilitu a bezpečnosť pre takýto typ práce.
4. Reťazová píla nie je určená na komerčné použitie.
5. Reťazovú pilu nepreťažujte.

Osobné ochranné pomôcky

1. Odev musí byť priliehavý, ale nesmie brániť v pohybe.
2. Pri práci noste nasledujúce ochranné odevy:
 - Testovanú bezpečnostnú helmu, ak hrozí riziko padajúcich vetiev a pod.;
 - Tvárovú masku alebo okuliare;
 - Vhodné chrániče sluchu (zátky do uší, prispôbené alebo formovateľné ušné vložky). Analýza oktávového kmitočtového pásma na požiadanie.
 - Pevné kožené ochranné rukavice;
 - Dlhé nohavice vyrobené z pevných vlákien;
 - Ochrannú kombinézu z netrhavej tkaniny;
 - Bezpečnostné topánky alebo čižmy s nešmyklavými podošvami, oceľovými špičkami a podšívkou z netrhavej tkaniny;
 - Dýchaciu masku, keď vykonávate prácu, pri ktorej sa vytvára prach (napr. pílenie suchého dreva).

Ochrana pred úrazom elektrickým prúdom



Reťazová píla sa nesmie používať v prostrediach s vlhkým alebo mokrym počasím, jej elektrický motor nie je vodonepriepustný.

1. Pilu zapájajte len zásuviek v otestovaných elektrických okruhoch. Skontrolujte, či sa systémové napätie zhoduje s napätím na výkonnostnom štítku. Skontrolujte, či je vložená sieťová 16 A poistka. Pily používané na otvorenom priestranstve sa musia zapojiť do ističa riadeného zvyškovým prúdom s prevádzkovým prúdom maximálne 30 mA.



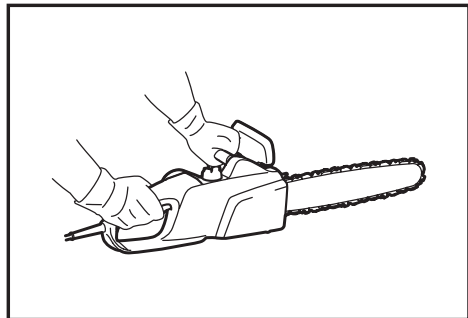
V prípade poškodenia pripájacieho kábla ihneď odpojte elektrickú zástrčku.

Bezpečné pracovné postupy

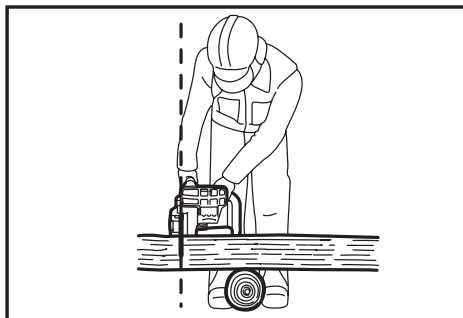
1. Pred začatím práce skontrolujte, či je reťazová píla v správnom prevádzkovom stave a či tento stav spĺňa bezpečnostné predpisy. Skontrolujte hlavne nasledujúce položky:
 - Brzda reťaze funguje správne;
 - Zastavovacia brzda funguje správne;
 - Lišta a kryt reťazového kolesa sú správne upevnené;
 - Reťaz bola naostraná a napnutá podľa predpisov;
 - Sieťový kábel a sieťová zástrčka s nepoškodené;

Pozrite časť "KONTROLY".

2. Vždy dbajte najmä na to, aby použitý predlžovací kábel mal primeraný prierez (pozrite "ŠPECIFIKÁCIE"). Pri použití kábelového bubna úplne odviňte kábel z bubna. Pri použití píly na otvorenom priestranstve zaistíte, aby použitý kábel bol určený pre použitie v exteriéri a bol dostatočne dimenzovaný.
3. Kábel držte mimo oblasti rezania a umiestnite ho tak, aby sa počas rezania nezachytával na konároch a pod.
4. Nepoužívajte reťazovú pílu v blízkosti horľavého prachu alebo plynov, lebo jej motor vytvára iskry, čo predstavuje **riziko explózie**.
5. Pracujte len na pevnej zemi a s dostatočne pevným postavením. Venujte zvýšenú pozornosť prekážkam (napr. káblu) na pracovnom mieste. Zvlášť buďte opatrní na miestach, kde môže byť kľzký povrch kvôli vlhkosti, ľadu, snehu, čerstvo rezanému drevu alebo kôre. Pílu nepoužívajte, keď stojíte na rebriku alebo strome.
6. Zvlášť buďte opatrní pri práci v šikmom teréne, kotúľajúce sa kmene a vetvy znamenajú potenciálne riziko.
7. Nikdy nerezte nad výškou pliec.
8. **Pri zapínaní a používaní držte reťazovú pílu pevne oboma rukami.** Pravou rukou držte zadnú ruku, ľavou prednú. Rukoväte držte pevne palcami. Pri zapínaní píly sa tyč ani reťaz sa nesmú dotýkať žiadneho predmetu.



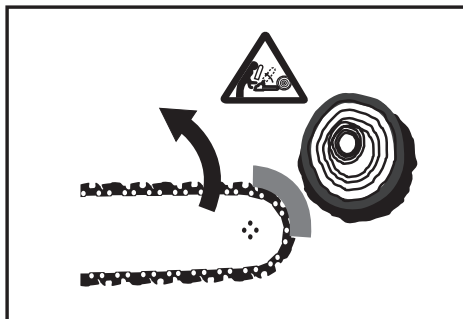
9. Odstráňte z plochy, ktorú chcete rezať, všetky cudzie objekty, ako piesok, kamene, kince drôty a pod. Cudzie objekty môžu poškodiť lištu a reťaz a viesť k nebezpečnému spätnému nárazu.
10. Zvlášť buďte opatrní pri rezaní v blízkosti drôtových plotov. Nezarežte do plota, píla sa môže odraziť späť.
11. Nezarežte do zeme.
12. Kusy dreva režte po jednom, nie po zväzkoch alebo hromadách.
13. Podľa možnosti nepoužívajte pílu na rezanie tenkých vetiev a koreňov, tieto sa môžu zamotať do reťazovej píly. Strata rovnováhy predstavuje riziko.
14. Pri rezaní reziva použite bezpečnú oporu (stojan).
15. Nepoužívajte reťazovú pílu na vypačovanie alebo odmatanie kusov dreva či iných objektov.
16. Reťazovú pílu vedzte tak, aby žiadna časť vášho tela nebola v predĺženej dráhe pílovej reťaze (pozrite obrázok).



17. Pri presunoch medzi jednotlivými píleniami použite brzdu reťaze, aby sa reťaz neúmyselne nespustila. Pri prenášaní držte reťazovú pílu za prednú ruku a nenechávajte prst na spínači.
18. Keď máte prestávku alebo nechávate reťazovú pílu bez dozoru, odpojte sieťovú zástrčku. Reťazovú pílu nechajte na mieste, kde nepredstavuje riziko.

Spätný náraz

1. Pri práci s reťazovou pílu môže nastať nebezpečný spätný náraz. Spätný náraz vzniká, keď sa hrot lišty (najmä jej hornej štvrtiny) dostane do kontaktu s drevom alebo iným pevným predmetom. To spôsobí vychýlenie reťazovej píly v smere obsluhujúcej osoby.



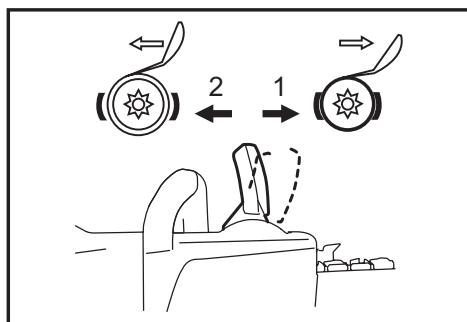
2. Aby ste predišli spätným nárazom, dodržiavajte nasledujúce pokyny:
 - Nikdy nezačínajte rez hrotom lišty.
 - Nikdy na rezanie nepoužívajte hrot lišty. Zvlášť buďte opatrní pri pokračovaní v reze, ktorý ste už raz začali.
 - Rez začínajte s bežiacou reťazou.
 - Reťaz vždy správne naostrite. Hlavne nastavte hĺbkový doraz na správnu výšku.
 - Nikdy nepíľte niekoľko vetiev naraz.
 - Pri odvetvovaní dbajte na to, aby lišta neprišla do kontaktu s inými vetvami.
 - Pri skracovaní výrezov sa vyhýbajte susedným kmeňom. Stále sledujte hrot lišty.
 - Použite stojan.
2. Reťazovú pílu uchovávajte v bezpečnej, suchej a uzamknutej miestnosti mimo dosahu detí. Reťazovú pílu neskladujte vo vonkajších priestoroch.

ÚDRŽBA

1. Pred vykonávaním akýchkoľvek úprav alebo údržby odpojte zástrčku zo zásuvky.
2. Pravidelne kontrolujte napájací kábel, či nie je poškodená izolácia.
3. Reťazovú pílu pravidelne čistite.
4. Akékoľvek poškodenie plastového plášte dajte ihneď náležite opraviť.
5. Nepoužívajte pílu, ak spúšťač prepínač nefunguje správne. Nechajte ho náležite opraviť.
6. Za žiadnych okolností sa nemú na reťazovej píle vykonávať žiadne modifikácie. Riskujete vlastnú bezpečnosť.
7. Nevykonávajte žiadnu údržbu či opravy iné ako opísané v tomto návode na používanie. Všetky ostatné práce musia vykonávať autorizované servisné strediská.
8. Používajte len originálne náhradné diely a príslušenstvo určené pre váš model píly. Pri použití iných dielov vzniká riziko nehody.
9. Naša spoločnosť nepreberá žiadnu zodpovednosť za nehody alebo ohrozenie v prípade, že nie sú použité odporúčané lišty, pílové reťaze alebo iné náhradné diely.

Bezpečnostné funkcie

1. Pred začatím práce vždy skontrolujte, či sú bezpečnostné funkcie v prevádzkovom stave. Nepoužívajte reťazovú pílu, ak bezpečnostné funkcie nefungujú správne.
- **Brzda reťaze:**
Reťazová píla sa vybavená brzdou reťaze, ktorá zastaví pílovú reťaz v zlomku sekundy. Aktivuje sa zatlačením krytu rúk dopredu. Pílová reťaz sa nato zastaví do 0,15 s a napájanie motora sa preruší.



1. Brzda reťaze aktivovaná 2. Brzda reťaze uvoľnená

- **Zastavovacia brzda:**
Reťazová píla sa vybavená zastavovacou brzdou, ktorá okamžite zastaví pílovú reťaz po stlačení spínača ON/OFF. To zabraňuje ďalší beh pílovej reťaze po vypnutí, čo predstavuje riziko.
- **Predný a zadný kryt rúk** chránia užívateľa pred poranením od úlomkov dreva, ktoré by mohli odletieť dozadu alebo od pretrhnutej pílovej reťaze.
- **Poisťka spínača** zabraňuje náhodnému zapnutiu reťazovej píly.
- **Zachytávač reťaze** chráni užívateľa pred poranením v prípade vyskočenia alebo pretrhnutia reťaze.

Prevoz a skladovanie



Keď reťazovú pílu nepoužívate alebo ju prenášate, vytiahnite sieťovú zástrčku a nasadte kryt vodiacej lišty dodaný k píle. Nikdy neprenášajte ani neprevádzkajte pílu so spustenou pílovou reťazou.

1. Reťazovú pílu prenášajte len za prednú rúčku, pričom lišta smeruje dozadu.

Prvá pomoc



Nepracujte sami. Vždy pracujte v dosluchu druhej osoby.

1. Majte vždy poruke lekárničku. Všetky upotrebené položky ihneď doplňte.
2. Ak budete v prípade nehody žiadať o pomoc, uveďte nasledujúce informácie:
 - Kde sa nehoda stala?
 - Čo sa stalo?
 - Koľko osôb sa zranilo?
 - Aké zranenia majú?
 - Kto ohlasuje nehodu?

POZNÁMKA: Osoby s oslabeným obehom vystavené nadmernej vibrácii môžu zaznamenať poranenie ciev alebo nervového systému.

Vibrácie môžu spôsobiť nasledujúce príznaky na prstoch, rukách alebo zápästiach: "Nemožnosť pohybu" (z necitlivenie), ťpnutie, bolesť, pocit pichania, zmena sfarbenia pokožky alebo zmena pokožky.

Pri ľubovoľnom z týchto príznakov navštívte lekára!

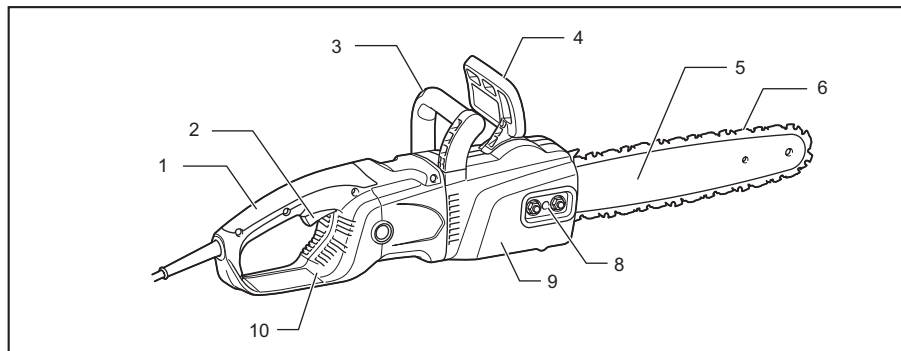
TIETO POKYNY USCHOVAJTE.

VAROVANIE: NIKDY neprípustite, aby pohodlie a dobrá znalosť výrobku (získané opakovaným používaním) nahradili presné dodržiavanie bezpečnostných pravidiel pre nádiie. **NESPRÁVNE POUŽÍVANIE alebo nedodržiavanie bezpečnostných pokynov uvedených v tomto návode na obsluhu môže spôsobiť vážne poranenia osôb.**

OZNAČENIE SÚČASTÍ

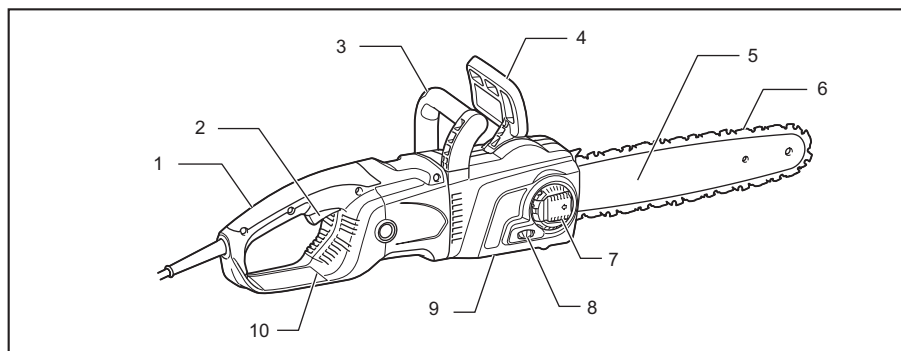
(Model s maticami: kryt reťazového kolesa je utiahnutý maticami.)

Pro Model ES-154, ES-164, ES-174, ES-184,
ES-2131, ES-2136, ES-2141, ES-2146

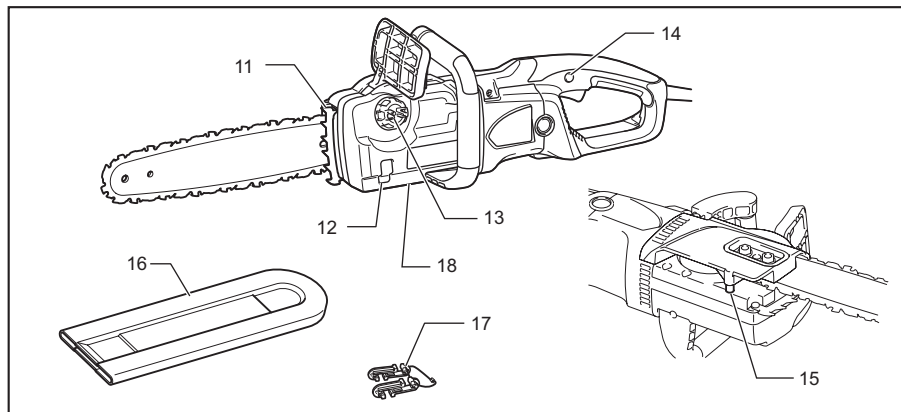


(Model s páčkou: kryt reťazového kolesa je utiahnutý páčkou.)

Pro Model ES-154 TLC, ES-164 TLC, ES-174 TLC, ES-184 TLC,
ES-2131 TLC, ES-2136 TLC, ES-2141 TLC, ES-2146 TLC



(Pre všetky modely)



1	Zadná rukoväť	7	Páčka	13	Kryt olejového lievika
2	Spúšť	8	Nastavovacia skrutka/nastavovací číselník	14	Tlačidlo odomknutia
3	Predná rukoväť	9	Kryt reťazového kolesa	15	Zachytávač reťaze
4	Kryt prednej rukoväte	10	Kryt zadnej rukoväte	16	Kryt vodiacej tyče
5	Vodiaca lišta	11	Klinový tmič	17	Háčik na kábel
6	Píllová reťaz	12	Olejový priezor	18	Nastavovacia skrutka olejového čerpadla (v spodnej časti)

MONTÁŽ

▲POZOR:

- Než začnete na nástroji robiť akékoľvek práce, vždy sa predtým presvedčte, že je vypnutý a vytiahnutý zo zásuvky.

Demontáž alebo inštalácia krytu reťazového kolesa

Kryt reťazového kolesa demontujte nasledovne:

(Pre modely s maticami)

► Obr.1

Uvoľnite maticu.

(Pre modely s páčkou)

► Obr.2: 1. Páčka 2. Kryt reťazového kolesa

Stlačte a úplne otvorte páčku až na doraz. Otočte páčku proti smeru hodinových ručičiek.

Kryt reťazového kolesa nainštalujte v opačnom slede hore uvedených krokov.

Demontáž alebo inštalácia píllovej reťaze

▲POZOR:

- Pri montáži alebo demontáži píllovej reťaze používajte vždy ochranné rukavice.

Píllovú reťaz demontujte podľa nasledovných krokov:

1. Uvoľnite kryt reťazového kolesa.
2. (Pre modely s maticami) Otáčaním nastavovacej skrutky reťaze proti smeru hodinových ručičiek uvoľníte napätie píllovej reťaze. (Pre modely s páčkou) Otáčaním nastavovacieho číselníka v smere „-“ uvoľníte napätie píllovej reťaze.

► Obr.3: 1. Nastavovacia skrutka

► Obr.4: 1. Nastavovací číselník

3. Vyberte kryt reťazového kolesa.
4. Vyberte píllovú reťaz a vodiacu tyč.

Píllovú reťaz nainštalujte nasledovne:

5. Skontrolujte smer reťaze. Značka šípky na reťazi znázorňuje smer pohybu reťaze.

► Obr.5: 1. Reťazové koleso

6. Jeden koniec píllovej reťaze založte na špičku vodiacej tyče a druhý koniec okolo reťazového kolesa.
7. Vodiacu tyč umiestnite na reťazový píllový.
8. Zarovnajte posúvač napnutia s otvorom na vodiacej tyči.

► Obr.6: 1. Vodiaca lišta 2. Otvor

9. Držiak vodiacu tyč a otáčaním nastavovacej skrutky reťaze/nastavovacieho číselníka nastavte napnutie píllovej reťaze.
10. Umiestnite kryt reťazového kolesa tak, aby háčiky zapadli pozdĺž otvorov a kolík zapadol do náprotivnej časti na kryt reťazového kolesa.

► Obr.7: 1. Háč 2. Otvor 3. Kolík

11. Zatiahnite kryt reťazového kolesa.

► Obr.8

► Obr.9: 1. Páčka 2. Kryt reťazového kolesa

Nastavenie napätie píllovej reťaze

Po mnohých hodinách používania sa môže reťaz uvoľniť. Pred použitím niekedy skontrolujte napätie píllovej reťaze.

1. Mierne uvoľnite kryt reťazového kolesa.
2. Koniec vodiacej tyče mierne zdvihnite.
3. Nastavte napätie píllovej reťaze otočením nastavovacej skrutky/nastavovacieho číselníka.

► Obr.10: 1. Uvoľniť 2. Utiahnúť 3. Nastavovacia skrutka reťaze 4. Vodiaca lišta 5. Píllová reťaz

► Obr.11: 1. Uvoľniť 2. Utiahnúť 3. Nastavovací číselník 4. Vodiaca lišta 5. Píllová reťaz

4. Utiahnite píllovú reťaz, kým spodná strana píllovej reťaze nezapadne do kofajničky vodiacej tyče (pozrite si krúžok).
5. Naďalej slabo pridržujte vodiacu tyč a po nastavení napnutia reťaze utiahnite kryt reťazového kolesa. Skontrolujte, že píllová reťaz nie je na spodnej strane uvoľnená.

Skontrolujte, že píllová reťaz prilieha vo zapadá do spodnej strany tyče.

⚠️ POZOR:

- Pílovú reťaz neuťahujte nadmerne. Nadmerné napätie pílovej reťaze môže spôsobiť, že sa pílová reťaz poruší, opotrebuje sa vodiaca tyč a poruší sa nastavovací číselník.
- Príliš voľná reťaz môže vyskočiť z lišty a predstavuje riziko úrazu.
- Postup inštalácie alebo demontáže pílovej reťaze vykonávajte na čistom mieste bez vyskytu pílin a podobných materiálov.

Zapojenie predlžovacieho kábla

⚠️ POZOR:

- Presvedčte sa, že zástrčka predlžovacieho kábla nie je zastrčená do sieťovej zásuvky.

- **Obr.12:** 1. Háčik na kábel 2. Kábel náradia 3. Predlžovací kábel 4. Zástrčka a zásuvka (tvar môže byť v jednotlivých krajinách odlišný)

Pri zapájaní predlžovacieho kábla kábel zaistíte ku káblu reťazovej píly pomocou háčika na kábel. Háčik na kábel pripojte asi 100 – 200 mm od konektora predlžovacieho kábla. Tým pomôžete zabrániť neočakávanému rozpojeniu.

PRÁCA

⚠️ POZOR:

- Pri vykonávaní práce náradie pevne uchopte pravou rukou za zadnú rukoväť a ľavou rukou za prednú rukoväť.

Zapínanie

- **Obr.13:** 1. Tlačidlo odomknutia 2. Spínač

⚠️ POZOR:

- Vždy pred kontrolou fungovania spúšťacieho spínača náradie vypnite a odpojte od prívodu elektrickej energie.
- Pred pripojením nástroja do zásuvky vždy skontrolujte, či spúšť funguje správne a po uvoľnení sa vracia do vypnutej polohy.

Aby nedochádzalo k náhodnému vytiahnutiu spúšťacieho spínača, nachádza sa tu odomykanie tlačidlo. Ak chcete zapnúť náradie, stlačte odomykanie tlačidlo a potiahnite spúšťací spínač. Náradie zastavíte uvoľnením spúšťacieho spínača.

Mazanie

⚠️ POZOR:

- Pred mazaním pílovej reťaze musí byť prístroj vždy vypnutý a odpojený od siete.

- **Obr.14**

Namažte pílovú reťaz a lištu biologicky rozložiteľným olejom na pílové reťaze s adhéznou prísadou. Adhézna prísada v oleji na pílové reťaze zabráni, aby olej príliš rýchlo odtiekol z píly. Minerálne oleje sa nesmú používať, pretože poškadzujú životné prostredie.

⚠️ POZOR:

- Dbajte, aby sa na pokožku a do očí nedostal olej. Oči sú po kontakte s olejom podráždené. V uvedenom prípade okamžite vypláchnite zasiahnuté oko čistou vodou a potom hneď navštívte lekára.
- Nikdy nepoužívajte odpadový olej. Odpadový olej obsahuje karcinogénne látky. Látky v odpadovom oleji spôsobujú zrýchlené opotrebovanie olejového čerpadla, tyče a reťaze. Odpadový olej je škodlivý pre životné prostredie.
- Pri prvom plnení oleja do píly alebo pri dopĺňaní nádrže po úplnom vyprázdnení doplňte olej až po spodnú hranu hrdla lievika. Prívod oleja môže byť v opačnom prípade narušený.

- **Obr.15:** 1. Kryt olejového lievika 2. Popruh

Olej doplňte podľa nasledovných krokov:

1. Oblasť krytu olejového lievika dôkladne vyčistite, aby ste zabránili vniknutiu nečistôt do olejovej nádrže.
2. Odskrutkujte kryt olejového lievika a doplňte olej až po spodný okraj jeho hrdla.
3. Kryt olejového lievika priskrutkujte pevne naspäť.
4. Rozliaty olej dôkladne utrite.

POZNÁMKA:

- Ak sa píla používa po prvýkrát, môže trvať až dve minúty, kým olej začne mazať pílový mechanizmus. Počas tohto procesu nechajte pílu v prevádzke bez zaťaženia (pozri "KONTROLA").

KONTROLA

Pred začiatkom práce skontrolujte:

Napätie reťaze

⚠️ VAROVANIE:

- Pred kontrolou napätia reťaze vždy vytiahnite sieťové zapojenie a používajte ochranné rukavice.

(Pre modely s maticami)

- **Obr.16:** 1. Uvoľniť 2. Utiahnúť 3. Nastavovacia skrutka reťaze 4. Vodiaca lišta 5. Pílová reťaz

(Pre modely s páčkou)

- **Obr.17:** 1. Uvoľniť 2. Utiahnúť 3. Nastavovací číselník 4. Vodiaca lišta 5. Pílová reťaz

Skontrolujte, že pílová reťaz priliehavo zapadá do spodnej strany tyče (pozrite si krúžok).

Napätie reťaze kontrolujte často, pretože nové reťaze podliehajú predlžovaniu.

Nadmerné napätie pílovej reťaze môže spôsobiť, že sa pílová reťaz poruší, opotrebuje sa vodiaca tyč a poruší sa nastavovací číselník.

Príliš voľná reťaz môže vyskočiť z lišty a predstavuje riziko úrazu.

Ak je reťaz príliš voľná: Podľa časti nazvanej „Nastavenie napätia pílovej reťaze“ opäť nastavte napätie pílovej reťaze.

Kontrola prepínania

⚠ POZOR: Pred pripojením nástroja do zásuvky vždy skontrolujte, či spúšť funguje správne a po uvoľnení sa vracia do vypnutej polohy.

Aby nedochádzalo k náhodnému vytiahnutiu spúšťacieho spínača, nachádza sa tu odomykacie tlačidlo. Ak chcete zapnúť náradie, stlačte odomykacie tlačidlo a potiahnite spúšťací spínač. Náradie zastavíte uvoľnením spúšťacieho spínača.

Nevytiahnite silno spúšťací spínač bez zatlačenia odomykacieho tlačidla. Môže to spôsobiť zlomenie vypínača.

Kontrola brzdy reťaze

POZNÁMKA:

- Ak reťazová píla nenašartuje, je potrebné uvoľniť brzdú reťaze. Brzdú reťaze uvoľníte silným potiahnutím chrániča ruky dozadu, až kým nepocítite zaradenie.

► **Obr.18:** 1. Kryt prednej rukoväte 2. Zablockovať 3. Odblockovať

► **Obr.19:** 1. Kryt prednej rukoväte 2. Odblockovať 3. Zablockovať

Brzdú reťaze skontroluje nasledovne:

- Pri zapínaní držte reťazovú pílu obidvomi rukami. Pravou rukou držte zadnú rukoväť, ľavou prednú rukoväť. Skontrolujte, že sa lišta ani reťaz nedotýkajú žiadneho objektu.
- Najprv stlačte poistné tlačidlo, potom prepínač. Píla sa okamžite spustí.
- Zadnou stranou svojej ruky zatlačte predný chránič rúk dopredu. Skontrolujte, že sa pílová reťaz okamžite zastaví.

⚠ POZOR:

- Ak sa pílová reťaz okamžite nezastaví, pílu za žiadnych okolností nepoužívajte. Poradte sa s autorizovanými servisnými strediskami DOLMAR.

Kontrola zastavovacej brzdy

Zapnite reťazovú pílu.

Úplne uvoľnite spúšťací spínač. Skontrolujte, že sa pílová reťaz do jednej sekundy úplne zastaví.

⚠ POZOR:

- Ak sa pílová reťaz okamžite nezastaví, pílu za žiadnych okolností nepoužívajte. Poradte sa s autorizovanými servisnými strediskami DOLMAR.

Kontrola mazania reťaze

Pred začiatkom práce skontrolujte hladinu oleja v nádrži a prívod oleja.

Hladinu oleja môžete vidieť v okienku hladiny oleja znázornenom na obrázku.

► **Obr.20:** 1. Olejový priezor

Nasledujúcim spôsobom skontrolujte prívod oleja: Spustite pílu.

Keď je píla je v prevádzke, držte pílovú reťaz približne 15 cm nad kmeňom stromu alebo nad zemou. Ak je mazanie primerané, olejový postrek vytvorí ľahkú olejovú stopu. Sledujte smer vetra a nevystavujte sa nevyhnutne postriekaniu olejom.

⚠ POZOR:

- Ak sa nevytvorí olejová stopa, pílu nepoužívajte. V opačnom prípade sa skráti životnosť reťaze. Skontrolujte hladinu oleja. Vyčistite prívodnú olejovú rýhu a otvor na plnenie oleja v tyči (podľa časti "ÚDRŽBA").

Nastavenie mazania reťaze

► **Obr.21**

Pomocou nastavovacej skrutky môžete nastaviť rýchlosť dávkovania olejového čerpadla.

PRÁCA S REŤAZOVÁ PÍLOU

⚠ POZOR:

- Vždy používajte prednú rukoväť a zadnú rukoväť a náradie pri práci držte pevne oboma rukami za prednú rukoväť a zadnú rukoväť.
- Vždy zabezpečte drevo, ktorým budete rezať; v opačnom prípade môžu odrezané úlomky spôsobiť osobné poranenie.

Skracovanie výrezov

► **Obr.22:** 1. Klinový tlmíč

V prípade skracovania výrezov položte podľa obrázka klinový tlmíč na drevo, ktoré budete rezať.

Keď je pílová reťaz v prevádzke, zapíľte do dreva, zadnou rukoväťou zdvihnite pílu a prednou ju vedte. Klinový tlmíč používajte ako vodidlo.

Pokračujte v rezaní ľahkým tlakom na prednú rukoväť, zadnú časť jemne zdvihnite. Klinový tlmíč posuňte ďalej nadol do dreva a opäť zdvihnite prednú rukoväť. Ak robíte niekoľko rezov, medzi rezmi pílu vypínajte.

⚠ POZOR:

- Ak sa na pílenie používa horný okraj tyče, reťazová píla sa môže vychýliť smerom k vám ak sa reťaz zasekne. Preto režte spodným okrajom, aby sa píla vychýlila smerom od vás.

► **Obr.23**

Najprv reže drevo pod napätím na strane (A). Potom urobte konečný rez na tlakovej strane (B). Tak sa tyč nezasekne.

► **Obr.24**

Odvetvovanie

⚠ POZOR:

- Odvetvovanie môžu vykonávať len školené osoby. Hrozí riziko bočných nárazov.

Pri odvetvovaní podoprite pílu o kmeň, ak je to možné. Nerežte hrotom tyče, pretože môžu vzniknúť bočné nárazy.

Venujte zvláštnu pozornosť vetvám pod napätím.

Nepíľte zospodu nepodopreté vetvy.

Pri odvetvovaní nevzpriamujte sťatý kmeň.

Vyrežavanie alebo rezy paralelné s vláknom

▲ POZOR:

- Vysekávanie a rezy paralelné s vláknom môžu vykonávať len osoby s odborným školením. Možné bočné nárazy predstavujú riziko zranenia.

► Obr.25

Rezy paralelné s vláknom robte pod čo najmenším uhlom. Režte čo najopatrnejšie, pretože sa nemôže používať klinový tmič.

Stínanie

▲ POZOR:

- Stínanie môžu vykonávať len školené osoby. Práca je nebezpečná.

Pri pílení stromu dodržiavajte miestne predpisy.

► Obr.26: 1. Oblasť ťažby dreva

- Pred zoťatím stromu a uistite, či:
 - (1) Sú v blízkosti len osoby zúčastňujúce sa na stínaní;
 - (2) Každá zúčastnená osoba má bezpečnú únikovú cestu v rozsahu približne 45° na každej strane osi stínania. Berte na vedomie ďalšie riziko vyplývajúce z potknutia o elektrické káble;
 - (3) Na spodnej časti kmeňa nie sú žiadne cudzie predmety ani korene;
 - (4) Vo vzdialenosti 2 1/2 dĺžky stromu v smere pádu stromu nie sú žiadne osoby ani predmety.
 - V súvislosti s každým stromom berte do úvahy nasledujúce:
 - Smer naklonenia;
 - Uvoľnené alebo suché vetvy;
 - Výška stromu;
 - Prirodzený previs;
 - Ak strom je alebo nie je zhnitý.
 - Posúďte rýchlosť a smer vetra. Pri silných nárazoch vetra stromy nepíľte.
 - Orezávanie koreňových vypuklín: Začnite najväčšími vypuklinami. Najprv spravte vertikálny rez, potom horizontálny.
- #### ► Obr.27
- Vyrežte šikmý plát. Šikmý plát určí smer pádu stromu a vedie ho. Robí sa na strane, na ktorú má strom padnúť. Šikmý plát vyrežte čo najbližšie k zemi. Najprv spravte horizontálny rez do hĺbky 1/5 -- 1/3 priemeru kmeňa. Nespravte príliš veľký šikmý plát. Potom spravte diagonálny rez.
 - Orežte ich šikmo po celej šírke.
- #### ► Obr.28

- Zadný rez spravte trochu vyšší ako je základný rez šikmého plátu. Zadný rez musí byť presne horizontálny. Medzi zadným rezom a šikmým plátom nechajte približne 1/10 priemeru kmeňa. Vláčna dreva v nerezanej časti slúžia ako kĺb. Za žiadnych okolností neprerežte priamo cez vlákna, pretože strom spadne nekontrolovane. Do hlavného rezu včas vložte kliny.

- Na ponechanie hlavného rezu v otvorenom stave sa používajú výhradne plastové alebo hliníkové kliny. Používanie železných klinov je zakázané.
- Postavte sa nabok od padajúceho stromu. Oblasť za padajúcim stromom musí zabezpečená až do 45° uhla každej strany osi stromu (pozri obrázok "oblasť stínania"). Dajte pozor na padajúce vetvy.
- Únikovú cestu treba napláňovať a uvoľniť podľa potreby pred začatím rezania. Úniková cesta by mala presahovať dozadu a diagonálne po zadnú časť čakávanej línie pádu, podľa vyobrazenia.

- #### ► Obr.29: 1. Smer stínania 2. Nebezpečná zóna 3. Úniková cesta

ÚDRŽBA

▲ POZOR:

- Než začnete robiť kontrolu alebo údržbu nástroja, vždy se presvedčte, že je vypnutý a vytiahnutý zo zásuvky.
- Pri kontrole alebo údržbe používajte vždy rukavice.
- Nepoužívajte benzín, riedidlo, alkohol ani nič podobné. Mohlo by to spôsobiť zmenu farby, deformácie alebo praskliny.

Pravidelne vykonávajte údržbu ako sa uvádza ďalej. Reklamácie v záruke sa prijímajú len ak tieto operácie vykonávate pravidelne a vhodne. Používateľ smie vykonávať len údržbu uvedenú v tomto návode na používanie. Všetky ostatné práce musia vykonávať autorizované servisné strediská DOLMAR.

Čistenie reťazovej pily.

Pílu čistíte pravidelne handrou. Rukoväte musia byť predovšetkým bez oleja.

Kontrola plastového krytu

Pravidelne vizuálne kontrolujte všetky časti krytu. Ak sú ktorékoľvek časti poškodené, okamžite ich nechajte správne opraviť v autorizovaných servisných strediskách DOLMAR.

Ostrenie pílovej reťaze

▲ POZOR:

- Pri práci s pílovou reťazou vždy pílu odpojte od siete a používajte ochranné rukavice.

► Obr.30

Reťaz ostriete, keď:

- Pri rezaní vlhkého dreva vznikajú prachové piliny;
- Reťaz vniká ťažko do dreva aj pri veľkom tlaku;
- Rezacia hrana je zjavne poškodená;
- Píla ťahá v dreve napravo alebo naľavo. Dôvodom tohto správania je nerovnomerne naostrená pílová reťaz alebo poškodenie na jednej jej strane.

Pílovú reťaz ostrite často, ale vždy odstráňte len trochu materiálu.

Dva alebo tri ťahy pilníkom zvyčajne stačia na bežné naostrenie. Ak bola pílová reťaz niekoľkokrát ostromená, nechajte ju naostriť v autorizovanom servisnom stredisku DOLMAR.

Kritériá ostrenia:

- Dĺžka všetkých nožov musí byť rovnaká. Nože rôznej dĺžky bránia plynulej funkcii reťaze a môžu spôsobiť jej zlomenie.
- Reťaz už neostrite ak je minimálna dĺžka noža 3 mm. Potom je potrebná nová reťaz.
- Hrúbku triesok určuje vzdialenosť medzi hĺbkovým dorazom (okrúhly nos) a rezacou hranou.
- Najlepšie rezanie dosiahnete s nasledovnou vzdialenosťou medzi rezacou hranou a hĺbkovým dorazom.

Reťazové ostrie 492 (91PX): 0,65 mm

- **Obr.31:** 1. Dĺžka rezu 2. Vzdialenosť medzi reznou hranou a hĺbkovým dorazom 3. Minimálne 3 mm

VAROVANIE:

- Príliš veľká vzdialenosť zvyšuje nebezpečenstvo bočných nárazov.
- Na všetkých nožoch musí byť uhol ostrenia 30°. Rozdiely v uhle spôsobujú, že reťaz funguje hrubo a nerovnomerne, zrýchľuje sa opotrebovanie a poškodzuje sa reťaz.
- Uhol bočnej platne noža je určený hĺbkou prieniku okrúhleho pilníka. Ak sa určený pilník používa správne, automaticky sa vytvorí správny uhol.
- Uhol bočnej platne pre každú pílovú reťaz je nasledovný:

Reťazové ostrie 492 (91PX): 80°

- **Obr.32:** 1. Uhol bočnej platne

Brúska a vedenie brúsky

- Na ostrenie reťaze používajte špeciálny okrúhly pilník (voliteľné príslušenstvo) pre pílovú reťaz. Bežné okrúhle pilníky nie sú vhodné.
- Priemer okrúhleho pilníka pre každú pílovú reťaz je nasledovný:
Reťazové ostrie 492 (91PX): 4,0 mm
- Pilník by sa mal pohybovať po noži len smerom dopredu. Pri návrate do východiskovej polohy zdvihnite pilník z noža.
- Najprv naostrite najkratší nôž. Dĺžka tohto najkratšieho noža bude štandardnou pre všetky ostatné nože pílovej reťaze.

► **Obr.33**

- Brúskovo pohybujte podľa obrázka.
- Brúska sa pohybuje omnoho ľahšie, ak má držiak (voliteľné príslušenstvo). Držiak brúsky má značky pre správny uhol ostrenia 30° (zarovnajete značky paralelne s reťazou) a obmedzenie vniknutia (na 4/5 priemeru brúsky).

► **Obr.34**

- Po naostrení reťaze skontrolujte výšku hĺbkového dorazu pomocou náradia na kontrolu reťaze (voliteľné príslušenstvo).

► **Obr.35**

- Osobitným plochým pilníkom odstráňte všetko, čo prečnieva, aj keď len malé (voliteľné príslušenstvo).
- Znovu zaoblite prednú časť hĺbkového dorazu.

Čistenie vodiacej tyče a mazanie vratného reťazového kolesa.

POZOR:

- Pri tejto práci vždy používajte ochranné rukavice. Výčnelky predstavujú riziko poranenia.

► **Obr.36**

Pravidelne kontrolujte, či povrch tyče nie je poškodený. Čistite pomocou vhodného nástroja a výčnelky odstráňte, ak je to potrebné.

Ak sa reťaz často používa, namažte ložisko reťazového kolesa aspoň raz za týždeň. Pred pridaním nového maziva opatrne vyčistíte 2 mm otvor na hrote vodiacej tyče, potom do otvoru vtláčte malé množstvo viacúčelového maziva (voliteľné príslušenstvo).

Čistenie prívodu oleja

- **Obr.37:** 1. Olejová vodiaca ryha 2. Otvor na doplnenie oleja

- Pravidelne vyčistíte prírodnú olejovú ryhu a otvor na plnenie oleja v tyči.

Nové pílové reťaze

Používajte striedavo dve alebo tri reťaze, aby sa reťaz, reťazové koleso a funkčná plocha tyče opotrebovávali rovnomerne.

Tyč pretočte pri výmene reťaze tak, aby sa ryha tyče opotrebovávala rovnomerne.

POZOR:

- Používajte výhradne reťaze a lišty schválené pre tento model píly (pozrite si časť „TECHNICKÉ ÚDAJE“).

- **Obr.38:** 1. Reťazové koleso

Pred vložením novej reťaze skontrolujte stav reťazového kolesa.

POZOR:

- Opatrebované reťazové koleso poškodí novú pílovú reťaz. V tomto prípade nechajte reťazové koleso vymeniť.

Pri výmene reťazového kolesa vymeňte vždy aj poistný krúžok.

Údržba reťaze a zastavovacích bŕzd

Brzdový systém má veľmi dôležité bezpečnostné funkcie. Tak ako ostatné prvky reťazovej píly aj brzdové systémy podliehajú určitému stupňu opotrebovania. Je nutné ich nechať pravidelne skontrolovať v autorizovaných servisných strediskách DOLMAR. Je to v záujme vašej vlastnej bezpečnosti.

Výmena uhlíkov

► Obr.39: 1. Medzná značka

Uhlíky pravidelne vyberajte a kontrolujte. Ak sú opotrebované až po medznú značku, vymeňte ich. Uhlíky musia byť čisté a musia voľne zapadať do svojich držiakov. Oba uhlíky treba vymieňať súčasne. Používajte výhradne rovnaké uhlíky.

► Obr.40: 1. Veko držiaka uhlíka 2. Skrutkovač

Pomocou šraubovávka odskrutkujte veká uhlíkov. Vymňte opotrebované uhlíky, vložte nové a zaskrutkujte veká naspäť.

Po výmene kefiiek nasadte a zapracujte kefy spustenním nástroja bez zaťaženia na dobu približne 10 minút.

Skladovanie prístroja

Biologicky odbúrateľný olej na pilovú reťaz sa môže uchovávať len určitú dobu. Po dvoch rokoch od výroby začnú biologické oleje získavať adhéznú vlastnosť a spôsobujú poškodenie olejového čerpadla a prvkov v mazacom systéme.

- Skôr, ako na dlhší čas odložíte reťazovú pílu mimo prevádzky, vyprázdňte olejovú nádrž a naplňte ju malým množstvom motorového oleja (SAE 30).
- Pílu nechajte krátko v prevádzke, aby sa vypláchli všetky zvyšky biologického oleja z nádrže, mazacieho systému a pilového mechanizmu.

POZNÁMKA:

- Po odstavení reťazovej píly z prevádzky z nej určitý čas uniká malé množstvo oleja. Je to bežné a nie je to znakom poškodenia.

Pílu uchovávajte na vhodnej ploche. Pred opätovným používaním do píly nalejte nový olej na pilovú reťaz BIOTOP.

Ak chcete zachovať BEZPEČNOSŤ a SPOLAHLIVOSŤ výrobku, prenechajte opravy, údržbu a nastavenie na autorizované servisné centrá spoločnosti DOLMAR, ktoré používajú len náhradné diely značky DOLMAR.

RIEŠENIE PROBLÉMOV

Pred požiadanim o vykonanie opravy urobte vlastnú kontrolu. Ak zistíte problém, ktorý nie je vysvetlený v návode, nepokúšajte sa náradie rozoberať. Namiesto toho sa obráťte na autorizované servisné strediská Dolmar.

Stav poruchy	Možná príčina	Náprava
Reťazová píla neštartuje.	Bez prívodu elektrickej energie.	Pripojte prívod elektrickej energie. Skontrolujte prívod elektrickej energie.
	Chybný kábel.	Náradie okamžite prestaňte používať a obráťte sa na miestne autorizované servisné stredisko.
	Porucha náradia.	Náradie okamžite prestaňte používať a obráťte sa na miestne autorizované servisné stredisko.
Reťaz sa nepohybuje.	Brzda reťaze je zaradená.	Uvoľnite brzdu reťaze.
Nedostatočný výkon.	Uhlíková kefka je opotrebovaná.	O opravu požiadajte miestne autorizované servisné stredisko.
Na reťazi nie je žiadny olej.	Olejová nádrž prázdna.	Naplňte olejovú nádrž.
	Znečistená olejová vodiaca drážka.	Očistite drážku.
	Nesprávne nastavená nastavovacia skrútka olejového čerpadla.	Nastavte rýchlosť olejového čerpadla.
Reťaz sa nezastaví ani po zaradení brzdy reťaze.	Brzdový pás je opotrebovaný.	Náradie okamžite prestaňte používať a obráťte sa na miestne autorizované servisné stredisko.
Náradie vibruje nie bežným spôsobom.	Uvoľnite vodiacu tyč alebo pilovú reťaz.	Nastavte vodiacu tyč a napnutie pilovej reťaze.
	Porucha náradia.	Náradie okamžite prestaňte používať a obráťte sa na miestne autorizované servisné stredisko.

VOLITEĽNÉ PRÍSLUŠENSTVO

⚠ POZOR:

- Tieto doplnky a príslušenstvo sú odporúčané pre použitie s náradím Dolmar, uvedeným v tomto návode. Používanie iného, než ako odporúčaného príslušenstva a doplnkov môže znamenať riziko úrazu osôb. Príslušenstvo používajte odporúčaným spôsobom a iba na účely, pre ktoré je určené.

Ak potrebujete pomoc a ďalšie podrobnosti ohľadom tohto príslušenstva, obráťte sa na vaše miestne servisné stredisko Dolmar.

- Pílová reťaz
- Kryt vodiacej tyče
- Vodiaca tyč
- Olej pre pílovú reťaz

POZNÁMKA:

- Niektoré položky zo zoznamu môžu byť súčasťou balenia náradia vo forme štandardného príslušenstva. Rozsah týchto položiek môže byť v každej krajine odlišný.

TECHNICKÉ ÚDAJE

Model	ES-154	ES-154 TLC	ES-164	ES-164 TLC	ES-174	ES-174 TLC	ES-184	ES-184 TLC	
	ES-2131	ES-2131 TLC	ES-2136	ES-2136 TLC	ES-2141	ES-2141 TLC	ES-2146	ES-2146 TLC	
Max. rychlost řetězu	14,5 m/s (870 m/min)								
Standardní vodící lišta	Délka lišty	300 mm		350 mm		400 mm		450 mm	
	Délka řezu	260 mm		320 mm		355 mm		415 mm	
	Typ vodící lišty	Lišta s řetězovým kolem na konci							
Standardní pilový řetěz	Typ	492 (91PX)							
	Rozteč	3/8"							
	Počet vodících článků	46	52	56	62				
Doporučená délka vodící lišty	300 - 450 mm								
Celková délka (bez meče)	505 mm								
Hmotnost netto	5,4 kg	5,5 kg	5,5 kg	5,6 kg	5,7 kg				
Prodlužovací kabel (volitelný)	DIN 57282/HO 7RN -F L=30 m max., 3x1,5 mm ²								

- Vzhledem k neustálému výzkumu a vývoji zde uvedené technické údaje podléhají změnám bez upozornění.
- Technické údaje se mohou pro různé země lišit.
- Hmotnost podle EPTA – Procedure 01/2003

Symbol

Níže jsou uvedeny symboly, se kterými se můžete při použití nástroje setkat. Je důležité, abyste dříve, než s ním začnete pracovat, pochopili jejich význam.

	Přečtěte si návod k obsluze a respektujte upozornění i bezpečnostní pokyny.
	Používejte ochranu zraku.
	Používejte ochranu sluchu.
	DVOJITÁ IZOLACE
	Upozornění: Požaduje se zvýšená pozornost a opatrnost!
	Upozornění: V případě poškození napájecího kabelu okamžitě odpojte síťovou zástrčku!
	Upozornění: Nebezpečí zpětného rázu!
	Chraňte před deštěm a vlhkostí!
	Používejte přilbu, brýle a ochranu sluchu!
	Noste ochranné rukavice!
	Odpojte síťovou zástrčku!

	První pomoc
	Maximální povolená délka řezu
	Směr pohybu řetězu
	Řetězový olej
	Uvolněná brzda řetězu
	Aktivovaná brzda řetězu
	Zakázáno!
	Jen pro státy EU Elektrická zařízení nelikvidujte současně s domovním odpadem! Vzhledem k dodržování evropské směrnice o odpadních elektrických a elektronických zařízeních včetně její implementace v souladu s národními zákony musí být elektrické zařízení po skončení životnosti shromážděno odděleně a předáno do ekologického recyklačního zařízení.

Určení nástroje

Nástroj je určen k řezání dříví a kmenů.

Napájení

Zařízení je třeba připojit pouze k napájení se stejným napětím, jaké je uvedeno na výrobním štítku a může být provozováno pouze v jednofázovém napájecím okruhu se střídavým napětím. Nářadí je vybaveno dvojitou izolací a může být tedy připojeno i k zásuvkám bez zemního vodiče.

Hlučnost

Typická vážená hladina hluku (A) určená podle normy EN60745:

Hladina akustického tlaku (L_{pa}): 90,8 dB (A)

Hladina akustického výkonu (L_{WA}): 101,8 dB (A)

Nejistota (K): 2,5 dB (A)

Používejte ochranu sluchu

Vibrace

Celková hodnota vibrací (vektorový součet tří os)

určená podle normy EN60745:

Pracovní režim: řezání dřeva

Emise vibrací (a_h): 5,2 m/s²

Nejistota (K): 1,5 m/s²

POZNÁMKA: Deklarovaná hodnota emisí vibrací byla změřena v souladu se standardní testovací metodou a může být využita ke srovnávání nářadí mezi sebou.

POZNÁMKA: Deklarovanou hodnotu emisí vibrací lze rovněž využít k předběžnému posouzení vystavení jejich vlivu.

VAROVÁNÍ: Emise vibrací během skutečného používání elektrického nářadí se mohou od deklarované hodnoty emisí vibrací lišit v závislosti na způsobu použití nářadí.

VAROVÁNÍ: Na základě odhadu vystavení účinkům vibrací v aktuálních podmínkách zajištěte bezpečnostní opatření k ochraně obsluhy (vezměte v úvahu všechny části pracovního cyklu, mezi něž patří kromě doby pracovního nasazení i doba, kdy je nářadí vypnuto nebo pracuje ve volnoběhu).

Prohlášení ES o shodě

Pouze pro evropské země

Prohlášení ES o shodě je obsaženo v Příloze A tohoto návodu k obsluze.

Obecná bezpečnostní upozornění k elektrickému nářadí

UPOZORNĚNÍ Přečtěte si všechna bezpečnostní upozornění a pokyny. Při nedodržení upozornění a pokynů může dojít k úrazu elektrickým proudem, požáru nebo vážnému zranění.

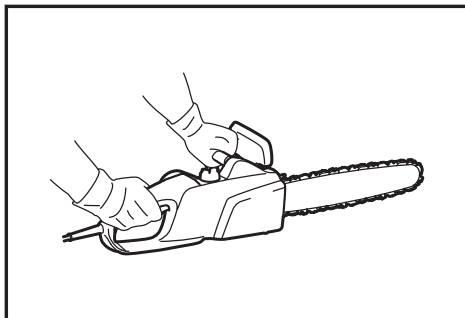
Všechna upozornění a pokyny si uschovejte pro budoucí potřebu.

Bezpečnostní upozornění k řetězové pile

- Je-li řetěz pily v pohybu, udržte všechny končetiny mimo dosah řetězu. Před zapnutím řetězové pily se ujistěte, že se řetěz ničeho nedotýká.** Budete-li při používání řetězové pily jen chvíli nepozorní, může dojít ke kontaktu řetězu s vaším oblečením nebo tělem.
- Řetězovou pilu držte vždy pravou rukou za zadní rukojeť a levou rukou za přední rukojeť.** Budete-li řetězovou pilu držet obráceně, bude hrozit větší nebezpečí úrazu, proto se tomu vyhněte.

- Nářadí držte pouze za izolované části držadel, neboť pilový řetěz může přijít do kontaktu se skrytým vodičem nebo s vlastním kabelem.** Pilové řetězy mohou při kontaktu s vodičem pod napětím přenést proud do nechráněných částí nářadí a obsluha může utrpět úraz elektrickým proudem.
- Používejte ochranu zraku a sluchu. Doporučuje se také dodatečná ochrana hlavy, rukou a nohou.** Adekvátní oblečení zamezí zranění odletávajícími třískami a nechtěnému kontaktu s řetězem pily.
- Nepoužívejte řetězovou pilu na stromě.** Při použití řetězové pily na stromě může dojít ke zranění.
- Udržte správnou postoj a používejte řetězovou pilu jen tehdy, stojíte-li na stabilním, jistém a rovinném povrchu.** Kluzký nebo nestabilní povrch, například žebřík, může způsobit ztrátu rovnováhy nebo kontroly nad pilou.
- Při řezání napnuté větve dávejte pozor na zpětný ráz.** Když se napětí ve dřevě uvolní, napnutá větev může zasáhnout obsluhu nebo způsobit ztrátu kontroly nad pilou.
- Při řezání keřů a malých stromů dbejte mimořádné pozornosti.** Pružný materiál může pilu zachytit a vymrštit se nebo způsobit, že ztratíte rovnováhu.
- Při přenášení držte řetězovou pilu za přední rukojeť, nechte ji vypnutou a držte ji tak, aby mířila směrem od vašeho těla. Při přepravě nebo skladování vždy nasadte kryt vodicí lišty.** Správnou manipulací s řetězovou pilou lze snížit riziko nechtěného kontaktu s pohyblivým se řetězem pily.
- Dodržte pokyny týkající se mazání, napínání řetězu a výměny příslušenství.** Nesprávně napnutý nebo namazaný řetěz se může přetrhnout nebo zvýšit pravděpodobnost zpětného rázu.
- Udržte rukojeti suché, čisté a chraňte je před olejem a mazivem.** Mastné rukojeti jsou kluzké a mohou způsobit ztrátu kontroly nad nástrojem.
- Řezajte pouze dřevo. Nepoužívejte řetězovou pilu k účelům, pro které není určena. Příklad: nepoužívejte řetězovou pilu k řezání plastu, zdiva nebo nedřevěných stavebních materiálů.** Použití řetězové pily k účelu, ke kterému není určena, může mít nebezpečné následky.
- Příčiny a prevence zpětného rázu:** Když se špička vodicí lišty dotkne předmětu nebo když dřevo sevře řetěz pily v řezu, může dojít k zpětnému rázu. Při kontaktu špičky může dojít k náhlé zpětné reakci, kdy se vodicí lišta zvedne nahoru a směrem k uživateli. Při sevření řetězu pily v horní části vodicí lišty může dojít k rychlému pohybu vodicí lišty směrem k uživateli. V těchto situacích můžete ztratit kontrolu nad pilou, což může mít za následek vážné zranění. Nespoléhejte se jen na bezpečnostní zařízení, která jsou součástí pily. Jako uživatel řetězové pily byste měli podniknout veškerá opatření, která jsou nutná k zamezení nehody nebo zranění. Zpětný ráz je důsledkem špatného použití a/nebo nesprávných pracovních postupů či podmínek. Lze se mu vyhnout přijetím odpovídajících opatření, která jsou uvedena níže:

- Řetězovou pilu stále držte pevně a palci i prsty obemkněte její držadla. Zaujmete takový postoj těla a pozici rukou, abyste odolali silám zpětných rázů. Za předpokladu přijetí správných preventivních opatření může obsluha síly zpětných rázů zvládnout. Řetězovou pilu nepouštějte z rukou.



- **Nezacházejte příliš daleko a neřežte nad výškou ramen.** Pomůžete tak předejít nechtěnému kontaktu špičky a umožníte lepší ovládání řetězové pily v nenadálych situacích.
- **Používejte pouze náhradní lišty a řetězy určené výrobcem.** Nesprávné náhradní lišty a řetězy mohou vést k přetržení řetězu a zpětnému vrhu.
- **Dodržujte pokyny výrobce týkající se broušení a údržby řetězu pily.** Zmenšení výšky hloubkového dorazu může mít za následek větší zpětný ráz.

DOPLŇKOVÁ BEZPEČNOSTNÍ PRAVIDLA

1. Přečtěte si návod k obsluze, abyste se seznámili s provozem řetězové pily.
2. Před prvním použitím řetězové pily absolvujte školení v používání pily. Pokud takové školení není možné, před zahájením práce si minimálně vyzkoušejte řezání kulatiny na kozlíku.
3. Řetězovou pilu nesmí používat děti a osoby mladší 18 let. Mladiství starší 16 let mohou být tohoto omezení zproštěni, pokud pod dohledem odborníka absolvují školení.
4. Práce s řetězovou pilou vyžaduje vysokou koncentraci. Nepracujte s pilou, pokud se necítíte v pořádku. Veškerou práci provádějte s rozvahou a klidně.
5. Nikdy nepracujte pod vlivem alkoholu, drog nebo léků.

Správné použití

1. Řetězová pila je určena výhradně k řezání dřeva. Nepoužívejte ji například k řezání plastů nebo porézniho betonu.
2. Řetězovou pilu používejte pouze k činnostem popsaným v tomto návodu k obsluze. Pilu například **nepoužívejte** k seřezávání živých plotů nebo k podobným účelům.

3. Řetězovou pilu není povoleno používat pro lesnické práce, tj. pro kácení a odvětvování stojících stromů. Kabel řetězové pily nenabízí pracovníkovi možnost pohybu a bezpečnost, které jsou pro takovou práci nutné.
4. Řetězová pila není určena pro komerční použití.
5. Nepřetěžujte řetězovou pilu.

Osobní ochranné prostředky

1. Oděv musí být těsně přiléhající, nesmí však omezovat pohyblivost.
2. Při práci používejte následující ochranné prostředky:
 - Testovanou ochrannou přilbu, pokud existuje riziko padání větví nebo podobné nebezpečí;
 - Obličejový štít nebo brýle;
 - Vhodnou ochranu sluchu (klapky na uši, upravené nebo tvarovatelné ucpávky do uší); Analýza oktávového pásma je k dispozici na požadavek.
 - Pevnou koženou ochrannou obuv;
 - Dlouhé kalhoty vyrobené z odolné látky;
 - Ochrannou kombinézu z látky odolné proti prořezání;
 - Ochrannou obuv nebo holínky s protiskluzovou podrážkou, ocelovou špičkou a podšívkou z látky odolné proti prořezání;
 - Dýchací masku při provádění práce, při které vzniká prach (např. při řezání suchého dřeva).

Ochrana proti úrazu elektrickým proudem



Řetězovou pilu není povoleno používat za vlhkého počasí nebo ve vlhkém prostředí, protože elektromotor pily není odolný proti vodě.

1. Pilu zapojíte pouze do testovaných elektrických obvodů. Ověřte, zda síťové napětí odpovídá napětí uvedenému na výkonovém štítku. Ujistěte se, zda je nainstalována síťová pojistka 16 A. Pily používané ve venkovním prostředí musí být připojeny k proudovému chrániči s vybavovacím proudem nepřekračujícím 30 mA.



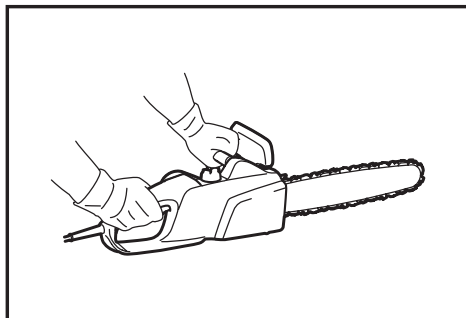
Dojde-li k poškození napájecího kabelu, okamžitě vytáhněte síťovou zástrčku.

Bezpečné pracovní postupy

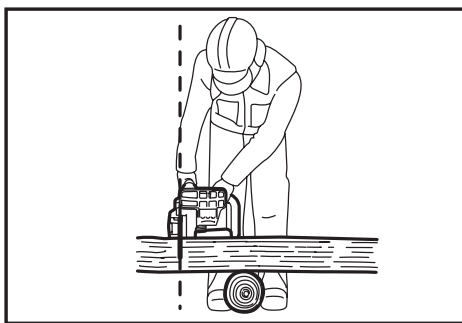
1. Před zahájením práce zkontrolujte, zda je řetězová pila v řádném provozním stavu a zda odpovídá požadavkům bezpečnostních směrnic. Konkrétně zkontrolujte:
 - Správnou funkci brzdy řetězu;
 - Správnou funkci dobehové brzdy;
 - Správné upevnění meče a krytu řetězového kola;
 - Naostření a napnutí řetězu v souladu se směrnicemi;
 - Dobrý stav napájecího kabelu a síťové zástrčky;

Viz odstavec „KONTROLY“.

2. Zejména vždy dbejte, aby měl prodlužovací kabel odpovídající průřez (viz „TECHNICKÉ ÚDAJE“). Při použití kabelového bubnu kabel úplně odviňte. Používáte-li pilu ve venkovním prostředí, dbejte, aby byl použitý napájecí kabel vhodný k použití ve venkovním prostředí, a aby byl správně dimenzovaný.
3. Kabel položte do místa mimo oblast řezání a uložte jej tak, aby při řezání nedošlo k jeho zachycení větvemi atp.
4. Neprovozujte řetězovou pilu v blízkosti hořlavého prachu nebo plynů. Motor vytváří jiskry a představuje **riziko výbuchu**.
5. Pracujte pouze na pevném povrchu a zaujměte dobrý postoj. Zvýšenou pozornost věnujte překážkám (např. kabelu) na pracovišti. Zvýšenou pozornost věnujte místům, kde vlhkost, sníh, čerstvě uřezané dřevo nebo kůra může způsobit kluzkost. Při práci s pilou nestůjte na žebříku ani na stromě.
6. Zvýšené opatrnosti dbejte při práci na svahu; kutálejí se kmeny a větve představují potenciální riziko.
7. Nikdy neřežte nad úroveň ramen.
8. **Při zapnutí a používání držte řetězovou pilu oběma rukama.** Držte zadní držadlo pravou rukou a přední držadlo levou rukou. Uchopte držadla pevně oběma palci. Při zapnutí pily se meč a řetěz nesmí dotýkat žádného předmětu.



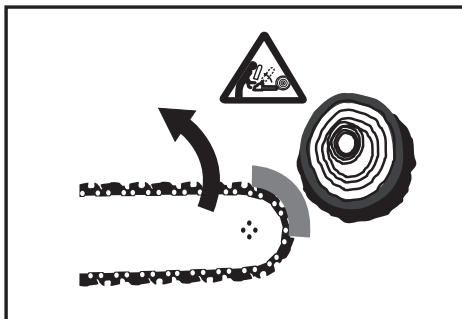
9. Očistěte oblast řezání od cizích předmětů, jako je například písek, kameny, hřebíky, dráty, apod. Tyto mohou poškodit meč a řetěz a způsobit nebezpečný zpětný ráz.
10. Zvýšenou opatrnost zachovávejte při řezání v blízkosti drátěných plotů. Neřežte do plotu. V opačném případě může dojít ke zpětnému rázu pily.
11. Neřežte do země.
12. Dřevo řežte po jednotlivých kusech a nikoliv ve svazcích.
13. Pilou neřežte tenké větve a kořeny, protože by mohlo dojít k jejich zamotání do pilového řetězu. Ztráta rovnováhy představuje riziko.
14. Při zpracovávání řeziva používejte bezpečnou podporu (kozlík).
15. Řetězovou pilu nepoužívejte k páčení ani odmetání kusů dřeva nebo jiných předmětů.
16. Řetězovou pilu vedte tak, aby se do prodloužené dráhy řetězové pily nedostala žádná část vašeho těla (viz obrázek).



17. Pokud se mezi jednotlivými řezy pohybuje, aktivujte brzdou řetězu, aby nedošlo k nechtěnému spuštění pilového řetězu. Při přenášení uchopte řetězovou pilu za přední držadlo a nedržte prst na spínači.
18. Během přestávky nebo pokud řetězovou pilu ponecháváte bez dozoru ji odpojte od elektrické sítě. Položte řetězovou pilu tak, aby nemohla představovat riziko.

Zpětný ráz

1. Během práce s řetězovou pilou může dojít k nebezpečnému zpětnému rázu. Zpětný ráz vzniká, pokud se špička meče (zejména horní čtvrtina) dostane do styku s dřevem nebo jiným pevným předmětem. Následně dochází k vychýlení řetězové pily ve směru obsluhy.



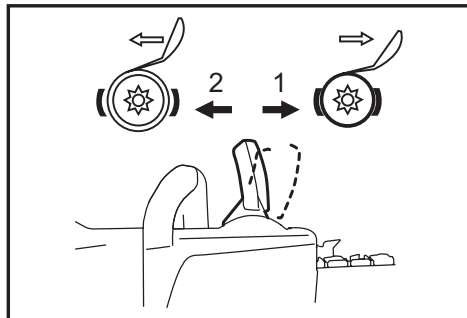
2. Dodržujte následující pokyny, aby nedošlo ke zpětnému rázu:
 - Nikdy nezačínáte řez špičkou meče.
 - Nikdy při řezání nepoužívejte špičku meče. Zvláštní opatrnost zachovávejte při pokračování v řezech, které jste již začali.
 - Řez zahajte při běžícím řetězu.
 - Řetěz vždy ostříte správným způsobem. Dbejte zvláště na správné nastavení výšky omezovací patky.
 - Nikdy současně neřežte několik větví.
 - Při odvětvování dávejte pozor, aby se meč nedostal do kontaktu s dalšími větvemi.
 - Při druhování se držte mimo sousední kmeny. Vždy pozorujte špičku meče.
 - Použijte kozlík.

Bezpečnostní zařízení

1. Před zahájením práce vždy zkontrolujte, zda jsou bezpečnostní zařízení ve funkčním stavu. Jestliže bezpečnostní zařízení nefungují správně, řetězovou pilu nepoužívejte.

— Brzda řetězu:

Řetězová pila je vybavena brzdou řetězu, která zajišťuje zastavení pilového řetězu ve zlomku sekundy. Brzda se aktivuje při posunutí chrániče ruky směrem dopředu. Poté se pilový řetěz zastaví do 0,15 s a současně se přeruší přívod elektrické energie do motoru.



1. Aktivní brzda řetězu 2. Uvolněná brzda řetězu

— Doběhová brzda:

Řetězová pila je vybavena doběhovou brzdou, která zajišťuje okamžité zastavení pilového řetězu při uvolnění spouštěcího spínače (ON/OFF). Zabraňuje se tak pokračujícímu otáčení pilového řetězu při vypnutí pily a potenciálním zraněním.

- **Přední a zadní chrániče ruky** chrání uživatele před zraněním odštěpkou dřeva, jež mohou být vyvrhovány dozadu, a před přetrženým pilovým řetězem.

- **Zámek spouště** zabraňuje nechtěnému spuštění řetězové pily.

- **Zachycovač řetězu** chrání uživatele před zraněním, ke kterému by mohlo dojít při uvolnění nebo přetržení řetězu.

Přeprava a skladování



Pokud řetězovou pilu nepoužíváte nebo během přepravy odpojte síťovou zástrčku a nasadte dodaný kryt vodičí lišty. Pilu nikdy nepřeházejte ani nepřeppravujte se spuštěným pilovým řetězem.

1. Řetězovou pilu přeházejte pouze za přední držadlo a meč mějte otočen směrem dozadu.
2. Řetězovou pilu vždy ukládejte v bezpečné, suché a uzamčené místnosti mimo dosah dětí. Řetězovou pilu neskladujte ve venkovních prostorech.

ÚDRŽBA

1. Před prováděním jakýchkoliv nastavení nebo údržby odpojte ze síťové zásuvky zástrčku.
2. Pravidelně kontrolujte, zda nedošlo k poškození izolace napájecího kabelu.
3. Řetězovou pilu pravidelně čistěte.

4. Případné poškození plastové skříně nechte řádně a okamžitě opravit.
5. Pilu nepoužívejte, jestliže nepracuje správně spoušť. Spoušť nechte náležitě opravit.
6. Za žádných okolností neprovádějte na řetězové pile žádné úpravy. Mohlo by dojít k ohrožení vaší bezpečnosti.
7. Neprovádějte žádnou údržbu ani opravy, jež nejsou popsány v tomto návodu k obsluze. Veškeré jiné práce musí být provedeny v autorizovaných servisních střediscích.
8. Používejte pouze originální náhradní díly a příslušenství určené pro váš model pily. Při použití jiných dílů se zvyšuje nebezpečí úrazy.
9. Nepřijímáme žádnou odpovědnost za úrazy či škody způsobené použitím neschválených lišt, pilových řetězů či jiných náhradních dílů a příslušenství.

První pomoc



Nepracujte sami. Při práci mějte vždy ve vzdálenosti, do které můžete dokřiknout, další osobu.

1. Mějte vždy po ruce lékárníčku. Použitý obsah lékárníčky je nutno okamžitě nahradit.
2. Budete-li v případě nehody žádat o pomoc, sdělte následující informace:
 - Kde došlo k nehodě?
 - Co se stalo?
 - Kolik osob je zraněno?
 - Jaká zranění se stala?
 - Kdo nehodu hlásí?

POZNÁMKA: Osoby se špatným oběhem vystavené působení příliš velkých vibrací mohou utrpět zranění cév nebo nervového systému.

Vibrace mohou na prstech, rukou nebo zápěstích způsobit následující příznaky: pocit necitlivosti, mravenčení, bolest, pocit bodavé bolesti, změnu barvy pokožky nebo stavu pokožky.

Trpíte-li jakýmkoliv z těchto příznaků, vyhledejte lékaře!

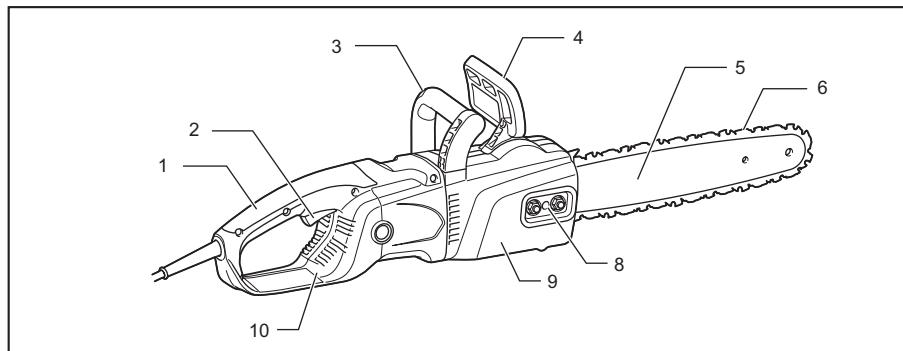
TYTO POKYNY USCHOVEJTE.

VAROVÁNÍ: NEDOVOLTE, aby pohodlnost nebo pocit znalosti výrobku (získaný na základě opakovaného používání) vedly k zanedbání dodržování bezpečnostních pravidel platných pro tento výrobek. **NESPRÁVNÉ POUŽÍVÁNÍ** nebo **nedodržení bezpečnostních pravidel uvedených v tomto návodu k obsluze může způsobit vážné zranění.**

POPIS DÍLŮ

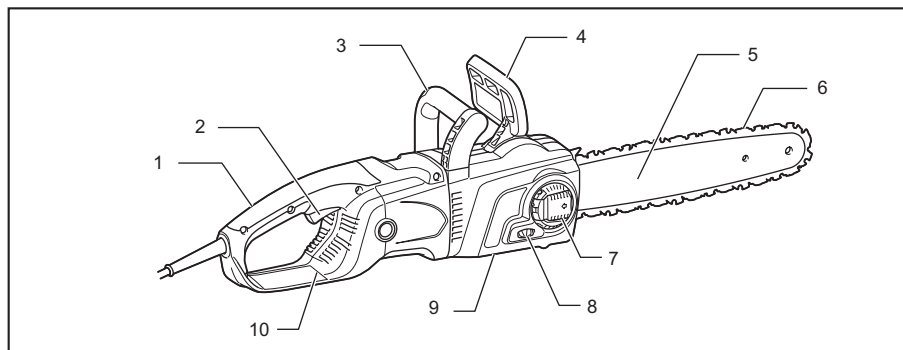
(Model s maticemi: kryt řetězového kola je dotažen maticemi.)

Pro Model ES-154, ES-164, ES-174, ES-184,
ES-2131, ES-2136, ES-2141, ES-2146

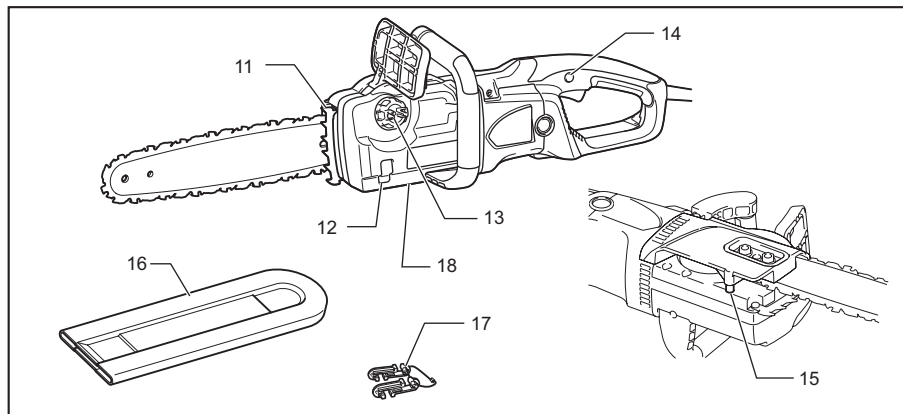


(Model s páčkou: kryt řetězového kola je dotažen páčkou.)

Pro Model ES-154 TLC, ES-164 TLC, ES-174 TLC, ES-184 TLC,
ES-2131 TLC, ES-2136 TLC, ES-2141 TLC, ES-2146 TLC



(Platí pro všechny modely)



1	Zadní držadlo	7	Páčka	13	Víčko plnicího otvoru oleje
2	Spoušť	8	Seřizovací šroub/knoflík	14	Odjišťovací tlačítko
3	Přední držadlo	9	Kryt řetězového kola	15	Zachycovač řetězu
4	Přední ochrana rukou	10	Zadní ochrana rukou	16	Kryt vodicí lišty
5	Vodicí tyč	11	Zubová opěrka	17	Závěs kabelu
6	Pilový řetěz	12	Kontrolní průzor hladiny oleje	18	Seřizovací šroub olejového čerpadla (v dolní části)

MONTÁŽ

▲ UPOZORNĚNÍ:

- Než začnete na nástroji provádět jakékoliv práce, vždy se předtím přesvědčte, že je vypnutý a vytažený ze zásuvky.

Nasazení a sejmutí krytu řetězového kola

Při demontáži krytu řetězového kola postupujte podle následujících kroků:

(Platí pro modely s maticemi)

► Obr.1

Povolte matici.

(Platí pro modely s páčkou)

► Obr.2: 1. Páčka 2. Kryt řetězového kola

Stiskněte a zcela otevřete páčku až na doraz. Otočte páčkou směrem vlevo.

Při instalaci krytu řetězového kola postupujte podle kroků v opačném sledu.

Sejmutí a instalace pilového řetězu

▲ UPOZORNĚNÍ:

- Při instalaci a demontáži pilového řetězu vždy používejte ochranné rukavice.

Při demontáži pilového řetězu postupujte podle následujících kroků:

1. Povolte kryt řetězového kola.
2. (Modely s maticemi) Otáčením seřizovacího šroubu řetězu vlevo uvolněte napnutí pilového řetězu. (Modely s páčkou) Otáčením seřizovacího knoflíku směrem k symbolu „-“ uvolněte napnutí pilového řetězu.
- **Obr.3:** 1. Stavěcí šroub
- **Obr.4:** 1. Regulační knoflík
3. Demontujte kryt řetězového kola.
4. Demontujte pilový řetěz a meč z řetězové pily.

Při montáži pilového řetězu postupujte podle následujících kroků:

5. Zajistěte správné nasměrování řetězu. Správný směr je na řetězu vyznačen značkou šipky.
- **Obr.5:** 1. Řetězové kolo
6. Jeden konec pilového řetězu nasadte na horní stranu vodicí lišty a druhý konec vedte kolem řetězového kola.
7. Na řetězovou pilu nasadte vodicí lištu.
8. Vyrovnajte posuvný napínač s otvorem ve vodicí liště.
- **Obr.6:** 1. Vodicí tyč 2. Otvor
9. Přidržte vodicí lištu a otáčením seřizovacího šroubu/knoflíku řetězu seřídte napnutí pilového řetězu.
10. Nasadte kryt řetězového kola tak, aby háčky dosedly podél otvorů a čep dosedl do protikusu v krytu řetězového kola.
- **Obr.7:** 1. Háč 2. Otvor 3. Kolík
11. Přitáhněte kryt řetězového kola.
- **Obr.8**
- **Obr.9:** 1. Páčka 2. Kryt řetězového kola

Úprava napnutí pilového řetězu

Po mnoha hodinách provozování se může pilový řetěz povolit. Čas od času před zahájením používání zkontrolujte napnutí pilového řetězu.

1. Mírně povolte kryt řetězového kola.
 2. Mírně zvedněte konec vodicí lišty.
 3. Otáčením seřizovacího šroubu/knoflíku seřídte napnutí pilového řetězu.
 - **Obr.10:** 1. Povolit 2. Utáhnout 3. Seřizovací šroub řetězu 4. Vodicí tyč 5. Pilový řetěz
 - **Obr.11:** 1. Povolit 2. Utáhnout 3. Regulační knoflík 4. Vodicí tyč 5. Pilový řetěz
 4. Napněte pilový řetěz, až dolní strana pilového řetězu dosedne do vedení vodicí lišty (viz oblast označená kroužkem).
 5. Vodicí lištu stále zlehka přidržujte a po seřízení napnutí řetězu dotáhněte kryt řetězového kola. Ujistěte se, zda se pilový řetěz na spodní straně neuvolnil.
- Zajistěte, aby pilový řetěz těsně dosedl do spodní strany lišty.

⚠️ UPOZORNĚNÍ:

- Pilový řetěz nenapínejte příliš. Příliš silné napnutí pilového řetězu může způsobit přetržení pilového řetězu, opotřebení vodící lišty a poškození seřizovacího knoflíku.
- Příliš povolný řetěz může vyskočit z lišty, což znamená nebezpečí nehody.
- Postup montáže či sejmutí pilového řetězu provádějte v čistém prostředí bez výskytu pilin a jiných nečistot.

Používání prodlužovacího kabelu

⚠️ UPOZORNĚNÍ:

- Zkontrolujte, zda je prodlužovací kabel odpojen od zásuvky.

► **Obr.12:** 1. Závěs kabelu 2. Kabel nástroje 3. Prodlužovací kabel 4. Zástrčka a zásuvka (tvar se může v různých zemích lišit)

Při používání prodlužovacího kabelu spojte prodlužovací kabel s kabelem řetězové pily příchytkou. Příchytka připojte přibližně 100 až 200 mm od konektoru prodlužovacího kabelu. Zamezte tak nechtěnému rozpojení.

PRÁCE

⚠️ UPOZORNĚNÍ:

- Při práci držte nářadí pevně pravou rukou za zadní držadlo a levou rukou za přední držadlo.

Zapínání

► **Obr.13:** 1. Odjišťovací tlačítko 2. Spínač

⚠️ UPOZORNĚNÍ:

- Před kontrolováním funkce spouště se vždy ujistěte, zda je nářadí vypnuté a odpojené od síťového napájení.
- Před připojením nástroje do zásuvky vždy zkontrolujte, zda spoušť funguje správně a po uvolnění se vrací do vypnuté polohy.

Jako prevence náhodného stisknutí spouště je k dispozici odjišťovací tlačítko.

Chcete-li nářadí spustit, stiskněte odjišťovací tlačítko a potom spoušť. Vypnutí provedete uvolněním spouště.

Mazání

⚠️ UPOZORNĚNÍ:

- Před mazáním pilového řetězu se vždy přesvědčte, zda je nástroj vypnutý a odpojený od elektrické sítě.

► **Obr.14**

Pilový řetěz a lištu promazávejte biologicky odbouratelným olejem na pilové řetězy s adhezní přísadou. Adhezní přísada v oleji na pilové řetězy zamezí příliš rychlému odstříkávání oleje z pily. Minerální oleje se nesmí používat, neboť, jsou škodlivé pro životní prostředí.

⚠️ UPOZORNĚNÍ:

- Zabraňte styku oleje s pokožkou a očima. Kontakt s očima způsobuje podráždění. Při zasažení očí je ihned vypláchněte čistou vodou a okamžitě vyhledejte lékařskou pomoc.
- Nikdy nepoužívejte odpadní olej. Použitý olej obsahuje karcinogenní látky. Znečišťující látky obsažené v použitém oleji urychlují opotřebením olejového čerpadla, meče a řetězu. Použitý olej je nebezpečný životnímu prostředí.
- Při prvním plnění řetězové pily řetězovým olejem nebo doplňování nádrže po úplném vyprázdnění nalévejte olej až k dolnímu okraji plnicího hrdla. V opačném případě mohou vzniknout problémy s přívodem oleje.

► **Obr.15:** 1. Víčko plnicího otvoru oleje 2. Pásek

Při doplňování oleje postupujte podle následujících kroků:

1. Očistěte důkladně oblast kolem víčka plnicího otvoru oleje, aby do olejové nádrže nevnikly žádné nečistoty.
2. Odšroubujte víčko plnicího otvoru oleje a nalévejte olej až k dolnímu okraji plnicího hrdla.
3. Našroubujte víčko plnicího otvoru oleje pevně zpět na místo.
4. Pečlivě otřete jakýkoliv uniklý olej.

POZNÁMKA:

- Při prvním uvedení řetězové pily do chodu může trvat až dvě minuty, než začne řetězový olej řádně mazat mechanismus pily. Pilu nechejte spuštěnou bez zatížení, dokud nebude dosaženo správného mazání (viz „KONTROLY“).

KONTROLY

Před zahájením práce proveďte následující kontroly:

Kontrola napnutí řetězu

⚠️ VAROVÁNÍ:

- Před kontrolou napnutí řetězu vždy nástroj odpojte od elektrické sítě. Používejte ochranné rukavice.

(Platí pro modely s maticemi)

► **Obr.16:** 1. Povolit 2. Utáhnout 3. Seřizovací šroub řetězu 4. Vodící tyč 5. Pilový řetěz

(Platí pro modely s páčkou)

► **Obr.17:** 1. Povolit 2. Utáhnout 3. Regulační knoflík 4. Vodící tyč 5. Pilový řetěz

Zajistěte, aby pilový řetěz těsně dosedl do spodní strany lišty (viz oblast označená kroužkem).

Napnutí řetězu často kontrolujte – nové řetězy se prodlužují.

Příliš silné napnutí pilového řetězu může způsobit přetržení pilového řetězu, opotřebením vodící lišty a poškození seřizovacího knoflíku.

Příliš povolný řetěz může vyskočit z lišty, což znamená nebezpečí nehody.

Pokud je řetěz příliš volný: Nahlédněte do části „Úprava napnutí pilového řetězu“ a proveďte opětovné napnutí pilového řetězu.

Kontrola funkce spínače

⚠️ UPOZORNĚNÍ: Před připojením nástroje do zásuvky vždy zkontrolujte, zda spoušť funguje správně a po uvolnění se vrací do vypnuté polohy.

Jako prevence náhodného stisknutí spouště je k dispozici odjišťovací tlačítko.

Chcete-li nářadí spustit, stiskněte odjišťovací tlačítko a potom spoušť. Vypnutí provedete uvolněním spouště. Nemačkejte spoušť silou bez stisknutí odjišťovacího tlačítka. Mohlo by dojít k poškození spínače.

Kontrola brzdy řetězu

POZNÁMKA:

- Pokud se řetězová pila nespustí, zkontrolujte, zda je uvolněná brzda řetězu. Uvolnění brzdy řetězu provedete přesunutím chrániče ruky pevně dozadu, až se zajistí na místě.

► **Obr.18:** 1. Přední ochrana rukou 2. Zajistit
3. Odjistit

► **Obr.19:** 1. Přední ochrana rukou 2. Odjistit
3. Zajistit

Kontrolu brzdy řetězu proveďte následujícím způsobem:

1. Při zapínání držte řetězovou pilu oběma rukama. Zadní držadlo držte pravou rukou a přední držadlo levou rukou. Ujistěte se, zda se lišta ani řetěz nedotýkají žádného předmětu.
2. Nejdříve stiskněte odjišťovací tlačítko a poté spoušť. Řetězová pila se okamžitě spustí.
3. Hřbetem ruky zatlačte na přední chrániče ruky směrem vpřed. Ujistěte se, zda pilový řetěz okamžitě zcela zastaví.

⚠️ UPOZORNĚNÍ:

- Jestliže se pilový řetěz okamžitě nezastaví, pilu za žádných okolností nepoužívejte. Obráťte se na autorizované servisní středisko DOLMAR.

Kontrola dobehové brzdy

Uveďte řetězovou pilu do chodu.

Uvolněte zcela spoušť. Ujistěte se, zda pilový řetěz během sekundy zcela zastaví.

⚠️ UPOZORNĚNÍ:

- Jestliže se pilový řetěz okamžitě nezastaví, pilu za žádných okolností nepoužívejte. Obráťte se na autorizované servisní středisko DOLMAR.

Kontrola maznice řetězu

Před zahájením práce zkontrolujte hladinu oleje v nádrži a přívod oleje.

Hladinu oleje můžete sledovat olejovými značkami na obrázku.

► **Obr.20:** 1. Kontrolní průzor hladiny oleje

Přívod oleje zkontrolujte následovně:

Spusťte řetězovou pilu.

Spusťte pilu a přidržte pilový řetěz přibližně 15 cm nad pařezem stromu nebo nad zemí. Pokud je mazání dostatečné, vytvoří rozprašovaný olej lehkou olejovou stopu.

Sledujte směr větru a rozstříkovanému oleji se zbytečně nevystavujte.

⚠️ UPOZORNĚNÍ:

- Pokud není vidět stopa oleje, nepoužívejte pilu. V opačném případě dojde ke zkrácení životnosti řetězu. Zkontrolujte hladinu oleje. Vyčistěte přívodní drážku oleje a přívodní otvor oleje v meči (viz odstavec „ÚDRŽBA“).

Seřízení mazání řetězu

► **Obr.21**

Výkon olejového čerpadla lze seřídít seřizovacím šroubem.

PRÁCE S ŘETĚZOVOU PILOU

⚠️ UPOZORNĚNÍ:

- Vždy používejte přední držadlo i zadní držadlo a při práci tímto způsobem nářadí pevně držte.
- Řezaný materiál vždy zajistěte, aby vám odřezávané části nezpůsobily zranění.

Druhování

► **Obr.22:** 1. Zubová opěrka

Při rozřezávání opřete zubovou opěrku znázorněnou na obrázku o řezané dřevo.

Spuštěnou řetězovou pilu zařizněte do dřeva, zadním držadlem pilu zvedejte a předním držadlem vedte. Jako opěrný bod použijte zubovou opěrku.

Pokračujte v řezu mírným tlakem na přední držadlo a pilu mírně posunujte zpět. Zubovou opěrku přesuňte v řezu níže a opět zvedněte přední držadlo.

Při provádění několika řezů je třeba mezi jednotlivými řezy pilu vypnout.

⚠️ UPOZORNĚNÍ:

- Pokud se při řezání používá horní hrana meče, může při zablokování řetězu dojít k vychýlení řetězové pily ve vašem směru. Z tohoto důvodu provádějte řezání dolní hranou tak, aby byla v takových případech pila odchýlena od vašeho těla.

► **Obr.23**

Nejdříve řežte dřevo pod napětím na tlakové straně (A). Poté proveďte konečný řez na straně napětí (B). Zabráňte tak zachycení meče.

► **Obr.24**

Odvětvování

⚠️ UPOZORNĚNÍ:

- Odvětvování smí provádět pouze vyškolení pracovníci. Možnost zpětného rázu s sebou přináší nebezpečí zranění.

Při odvětvování opřete pokud možno řetězovou pilu o kmen. Neřežte špičkou meče; vyhnete se tak riziku zpětného rázu.

Zvláštní pozornost věnujte větvím pod napětím.

Nepodpeřené větve neřežte zesponu.

Při odvětvování nestůjte na pokáceném kmenu.

Zapichování a řezy rovnoběžné s vlákný

⚠ UPOZORNĚNÍ:

- Zapichování a řezy rovnoběžné s vlákný smí provádět pouze osoby se zvláštním školením. Možnost zpětného rázu s sebou přináší nebezpečí zranění.

► Obr.25

Řezy rovnoběžné s vlákný provádějte pod co nejmenším úhlem. Řez provádějte co nejopatrněji, neboť v této situaci nelze použít zubovou opěrku.

Kácení

⚠ UPOZORNĚNÍ:

- Kácení smí provádět pouze vyškolení pracovníci. Práce s sebou nese riziko.

Při kácení stromů dodržujte místní směrnice.

► Obr.26: 1. Oblast kácení

- Před zahájením kácení se přesvědčte o následujícím:
 - (1) V místě kácení smí být přítomny pouze povolané osoby.
 - (2) Osoby podílející se na kácení musí mít k dispozici otevřenou únikovou trasu v rozmezí přibližně 45° na obou stranách osy kácení. Při kácení v blízkosti elektrických vedení vezměte v úvahu dodatečná rizika.
 - (3) Dolní část kmene nesmí obsahovat cizí předměty, kořeny a větve.
 - (4) Ve vzdálenosti 2,5násobku délky kmene ve směru pádu stromu se nesmí nacházet žádné osoby ani objekty.
- U každého stromu vezměte v úvahu následující:
 - Směr náklonu;
 - Uvolněné nebo suché větve;
 - Výška stromu;
 - Přirozený převis;
 - Zda je či není strom shnilý.
- Vezměte v úvahu rychlost a směr větru. Neprovádějte kácení při silném nárazovém větru.
- Ořezávání kořenových náběhů: Začněte s největšími kořenovými náběhy. Proveďte nejdříve svislý a až poté vodorovný řez.

► Obr.27

- Proveďte směrový zásek. Směrový zásek určuje směr, ve kterém strom spadne a při pádu jej vede. Provádí se na straně, v jejímž směru má strom spadnout. Směrový zásek proveďte co nejbližší zemi. Nejdříve proveďte vodorovný řez o hloubce 1/5 až 1/3 průměru kmene. Směrový zásek nesmí být příliš velký. Poté proveďte diagonální řez.
- Proveďte potřebné úpravy po celé délce směrového záseku.

► Obr.28

- Proveďte hlavní řez o něco výše než základní řez směrového záseku. Hlavní řez musí být dokonale vodorovný. Ponechte mezi hlavním řezem a směrovým zásekem přibližně 1/10 průměru kmene.

Dřevní vlákna v neodřezané části kmene působí jako závěs. Za žádných okolností neřežte přímo přes vlákna, jinak by strom padl nekontrolovaně. Do hlavního řezu včas vložte klíny.

- K udržení hlavního řezu v otevřeném stavu je dovoleno použít pouze plastové nebo hliníkové klíny. Používání železných klínů je zakázáno.
- Postavte se na stranu od padajícího stromu. Prostor za stromem udržujte volný v rozmezí 45° na obě strany od osy padajícího stromu (viz obrázek „oblast pádu“). Dávejte pozor na padající větve.
- V případě nutnosti je před řezáním potřeba naplánovat a vyklidit únikovou cestu. Únikovou cestu je třeba nasměrovat dozadu, šikmo k zadní linii očekávaného pádu stromu, jak je znázorněno na obrázku.

- Obr.29: 1. Směr pádu 2. Nebezpečná zóna 3. Úniková cesta

ÚDRŽBA

⚠ UPOZORNĚNÍ:

- Než začnete provádět kontrolu nebo údržbu nástroje, vždy se přesvědčte, že je vypnutý a vytažený ze zásuvky.
- Při provádění kontrol a údržby vždy používejte ochranné rukavice.
- Nikdy nepoužívejte benzín, benzen, ředidlo, alkohol či podobné prostředky. Mohlo by tak dojít ke změnám barvy, deformacím či vzniku prasklin.

Údržbu popisovanou níže provádějte v pravidelných intervalech. Zruční reklamace budou uznány pouze v případě, že tyto činnosti byly prováděny pravidelně a řádně.

Uživatelé smí provádět pouze údržbu popisovanou v tomto návodu k obsluze. Veškeré jiné práce musí být provedeny v autorizovaných servisních střediscích DOLMAR.

Čištění řetězové pily

Pily pravidelně čistěte čistým hadrem. Zejména držadla nesmí být znečištěna olejem.

Kontrola plastové skříně

Provádějte pravidelnou vizuální kontrolu všech částí pláště. Zjistíte-li poškození jakýchkoli dílů, nechte je okamžitě a řádně opravit v autorizovaném servisním středisku DOLMAR.

Ostření pilového řetězu

⚠ UPOZORNĚNÍ:

- Před prováděním prací na pilovém řetězu vždy odpojte síťovou zástrčku a použijte ochranné rukavice.

- Obr.30

Pilový řetěz je nutno naostřit v následujících případech:

- Při řezání vlhkého dřeva vznikají mouché piliny.
- Řetěz proniká obtížně do dřeva, a to i při vyvinutí silného tlaku.
- Řezná hrana je viditelně poškozena.
- Pila v dřevě táhne doleva nebo doprava. Příčinou tohoto chování je nerovnoměrné naostření pilového řetězu nebo jednostranné poškození.

Pilový řetěz ostřete často, ale při každém ostření odstraňujte pouze malé množství materiálu.

K běžnému naostření obvykle postačují dva nebo tři tahy pilníkem. Po několika naostřeních pilového řetězu nechte řetěz naostřit v autorizovaném servisním středisku DOLMAR.

Kritéria ostření:

- Všechny délky břitů musí být stejné. Břity rozdílných délek znečišťují plynulý běh řetězu a mohou způsobit jeho přetržení.
- Řetěz již neostřete, jakmile bylo dosaženo minimální délky řezných nástrojů 3 mm. V takovém případě je nutno nainstalovat nový řetěz.
- Tloušťka třísky je dána vzdáleností mezi omezovací patkou (oblym nosem) a břítem.
- Nejlepších výsledků řezání dosáhnete nastavením následující vzdálenosti mezi břítem a omezovací patkou.

Pilový řetěz 492 (91PX): 0,65 mm

- **Obr.31:** 1. Délka řezu 2. Vzdálenost mezi břítem a omezovací patkou 3. Min. 3 mm

VAROVÁNÍ:

- Příliš velká vzdálenost zvyšuje riziko zpětného rázu.
- 30° úhel ostření musí být u všech břitů shodný. Rozdíly v úhlech mohou vést k hrubému a nerovnoměrnému pohybu řetězu, urychlují opotřebení a způsobují přetržení řetězu.
- Úhel boční hrany břítu je dán hloubkou průniku kruhového pilníku. Při řádném použití stanoveného pilníku se správný úhel boční hrany vytvoří automaticky.
- Úhly boční hrany pro jednotlivé pilové řetězy jsou následující:

Pilový řetěz 492 (91PX): 80°

- **Obr.32:** 1. Úhel boční hrany

Pilník a vedení pilníku

- K ostření řetězu používejte speciální kruhový pilník (volitelné příslušenství) na pilové řetězy. Běžné kruhové pilníky nejsou vhodné.
- Průměry kruhových pilníků pro jednotlivé pilové řetězy jsou následující:
Pilový řetěz 492 (91PX): 4,0 mm
- Pilníkem odebírejte materiál břitu pouze při pohybu vpřed. Při zpětném pohybu pilník od břitu oddalte.

- Nejprve naostřete nejkratší břit. Délka nejkratšího břitu se pak stane vzorem pro všechny ostatní břity pilového řetězu.

► **Obr.33**

- Pilník vedte tak, jak je ilustrováno na obrázku.
- Pilník lze vést snadněji při použití držáku pilníku (volitelné příslušenství). Držák pilníku je opatřen značkami pro správný úhel ostření 30° (značky umístěte rovnoběžně s pilovým řetězem) a omezuje hloubku průniku (na 4/5 průměru pilníku).

► **Obr.34**

- Po naostření řetězu zkontrolujte výšku hloubkového dorazu pomocí řetězové měřky (volitelné příslušenství).

► **Obr.35**

- Speciálním plochým pilníkem (volitelné příslušenství) odstraňte případný přebytečný materiál.
- Opět zaoblete přední stranu hloubkového dorazu.

Čištění meče a mazání vratného řetězového kola

UPOZORNĚNÍ:

- Při této činnosti vždy používejte ochranné rukavice. Otřepy představují riziko poranění.

► **Obr.36**

Pravidelně kontrolujte poškození provozních povrchů meče. Vhodným nástrojem proveďte čištění a v případě potřeby odstraňte otřepy.

Je-li řetězová pila používána často, promazávejte ložisko vratného řetězového kola nejméně jednou týdně. Před aplikací čerstvého tuku pečlivě vyčistěte 2 mm otvor na špičce meče a poté do otvoru vtlačte malé množství víceúčelového tuku (volitelné příslušenství).

Čištění vodítka oleje

- **Obr.37:** 1. Vodicí drážka oleje 2. Přívodní otvor oleje

- V pravidelných intervalech čistěte vodicí drážku oleje a přívodní otvor oleje.

Nové pilové řetězy

Používejte střídavě dva nebo tři pilové řetězy, aby se pilový řetěz, řetězové kolo a provozní povrchy meče opotřebovávaly rovnoměrně. Při výměně řetězu meč otočte, aby se rovnoměrně opotřebovávala drážka meče.

UPOZORNĚNÍ:

- Používejte pouze řetězy a lišty schválené pro daný model pily (viz „TECHNICKÉ ÚDAJE“).

- **Obr.38:** 1. Řetězové kolo

Před nasazením nového pilového řetězu zkontrolujte stav řetězového kola.

UPOZORNĚNÍ:

- Opotřeбенé řetězové kolo způsobí poškození nového pilového řetězu. V takovém případě nechejte řetězové kolo vyměnit.

Při výměně řetězového kola vždy použijte nový pojistný prsteneček.

Údržba řetězu a doběhové brzdy

Brzdové systémy představují velmi důležitý bezpečnostní prvek. Stejně jako ostatní komponenty řetězové pily však i ony podléhají určitému opotřeбенí. Proto musí být pravidelně kontrolovány v autorizovaném servisním středisku DOLMAR. Toto opatření slouží k zajištění vaší bezpečnosti.

Výměna uhlíků

► **Obr.39:** 1. Mezní značka

Uhlíky pravidelně vyjměte a kontrolujte. Jsou-li opotřeбенé až po mezní značku, vyměňte je. Uhlíky musí být čisté a musí volně zapadat do svých držáků. Oba uhlíky je třeba vyměňovat současně. Používejte výhradně stejné uhlíky.

► **Obr.40:** 1. Víčko držáku uhlíku 2. Šroubovák

Pomocí šroubováku odšroubujte víčka uhlíků. Vyměňte opotřeбенé uhlíky, vložte nové a zašroubujte víčka nazpět.

Po výměně uhlíků zapojte nářadí do sítě a spuštěním asi na 10 minut bez zatížení nechte uhlíky zaběhnout.

Uložení nástroje

Biologicky odbouratelný řetězový olej lze skladovat pouze po omezenou dobu. Po uplynutí dvou let od data výroby začínají biologicky odbouratelné oleje ztrácet adhezní vlastnosti a způsobují poškození olejového čerpadla a součástí systému mazání.

- Před delším obdobím, kdy pila nebude používána, vyprázdníte olejovou nádrž a naplníte ji malým množstvím motorového oleje (SAE 30).
- Na krátkou dobu spusťte řetězovou pilu, aby došlo k vypláchnutí všech zbytků biologicky odbouratelného oleje z nádrže, systému mazání a mechanismu pily.

POZNÁMKA:

- Při přerušení provozu řetězové pily z ní může následně určitou dobu unikat menší množství řetězového oleje. Jedná se o normální stav a nikoli o známku poruchy.

Řetězovou pilu uložte na vhodném povrchu.

Před dalším uvedením řetězové pily do provozu ji naplníte čerstvým řetězovým olejem BIOTOP.

V rámci zachování BEZPEČNOSTI a SPOLEHLIVOSTI výrobku musí být opravy a veškerá další údržba či seřizování svěřeny autorizovaným servisním střediskům DOLMAR používajícím vždy náhradní díly DOLMAR.

ODSTRAŇOVÁNÍ PROBLÉMŮ

Před žádostí o opravu proveďte nejprve prohlídku sami. Narazíte-li na problém, jenž v této příručce není vysvětlen, nepouštějte se do demontáže zařízení. obraťte se raději na autorizované servisní středisko Dolmar.

Stav poruchy	Možná příčina	Náprava
Řetězovou pilu nelze spustit.	Chybí zdroj napájení.	Proveďte připojení ke zdroji napájení. Zkontrolujte zdroj napájení.
	Vadný kabel.	Přestaňte nářadí ihned používat a obraťte se na místní autorizované servisní středisko.
	Porucha nářadí.	Přestaňte nářadí ihned používat a obraťte se na místní autorizované servisní středisko.
Řetěz se nepohybuje.	Je aktivována brzda řetězu.	Uvolněte brzdou řetězu.
Nedostatečný výkon.	Jsou opotřeбенé uhlíkové kartáčky.	Předejte zařízení k opravě v místním autorizovaném servisním středisku.
Na řetězu není olej.	Olejová nádrž je prázdná.	Naplníte olejovou nádrž.
	Znečištěná mazací drážka.	Vyčistíte drážku.
	Nesprávné nastavení seřizovacího šroubu olejového čerpadla.	Seřídíte výkon olejového čerpadla.
Řetěz se nezastaví ani při aktivaci brzdy řetězu.	Opotřeбенý brzdový pás.	Přestaňte nářadí ihned používat a obraťte se na místní autorizované servisní středisko.
Nářadí nezvykle vibruje.	Povolena vodící lišta nebo pilový řetěz.	Seřídíte vodící lištu a napnutí pilového řetězu.
	Porucha nářadí.	Přestaňte nářadí ihned používat a obraťte se na místní autorizované servisní středisko.

VOLITELNÉ PŘÍSLUŠENSTVÍ

⚠ UPOZORNĚNÍ:

- Pro váš nástroj Dolmar, popsáný v tomto návodu, doporučujeme používat toto příslušenství. Při použití jiného příslušenství či nástavců může hrozit nebezpečí zranění osob. Příslušenství lze používat pouze pro stanovené účely.

Potřebujete-li bližší informace ohledně tohoto příslušenství, obraťte se na místní servisní středisko firmy Dolmar.

- Pilový řetěz
- Kryt vodící lišty
- Vodící lišta
- Olej na mazání pilového řetězu

POZNÁMKA:

- Některé položky seznamu mohou být k zařízení přibaleny jako standardní příslušenství. Přibalené příslušenství se může v různých zemích lišit.

Makita Europe N.V. Jan-Baptist Vinkstraat 2,
3070 Kortenberg, Belgium

Makita Corporation 3-11-8, Sumiyoshi-cho,
Anjo, Aichi 446-8502 Japan

www.dolmar.com

885287B902 EN, UK, PL, RO, DE, HU, SK, CS 20171113
